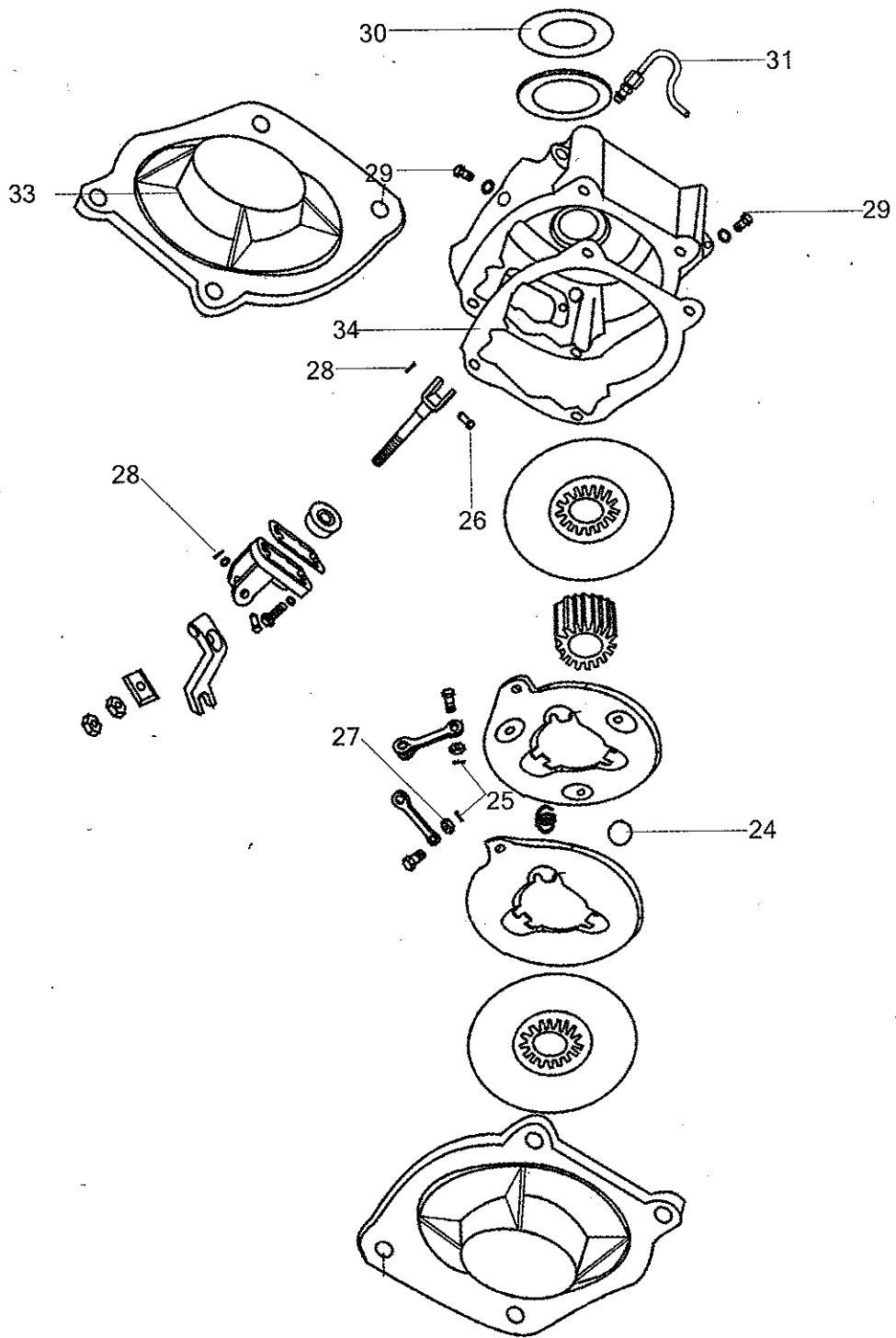


Brakes

Disc Brakes

Part Number	Ref.	Description of Part	Unit	Remarks/ Service Bulletin No.
			Quantity	
9432050EUE	*	Brake assembly(R)	1	
9432040EUE	*	Brake assembly(L)	1	
9430163EUE	1	Housing(R)	1	
9430152EUE	2	Housing(L)	1	
9432405EUE	4	Rocker(R)	1	
9432505EUE	5	Rocker(L)	1	
9432503EUE	6a	Cover(L)	2	
9432407EUE	7a	Rocker seat (l)	2	
9432408EUE	7b	Rocker seat (r)	2	
9432409EUE	8	Gasket	2	
9430115EUE	9	Gasket	2	
9432406EUE	10	Pad	2	
9432041EUE	11	Rubber shield	2	
9432421EUE	12	Plate	4	
9432422EUE	13	Spring	6	
9432423EUE	14	Screw	4	
9432424EUE	15	Lever	2	
9432425EUE	16	Plate	4	
9432043EUE	18	Disc Assy	4	
GB/T93 10	19	Spring washer	20	
GB/T5783 M10x25-8.8	20	Screw	12	
GB/T882 12x70	21	Pin	2	
GB/T6170 M12	22	Nut	4	
SD32x52x12 GB/T9877.1	23	Seal	2	

Disc Brakes

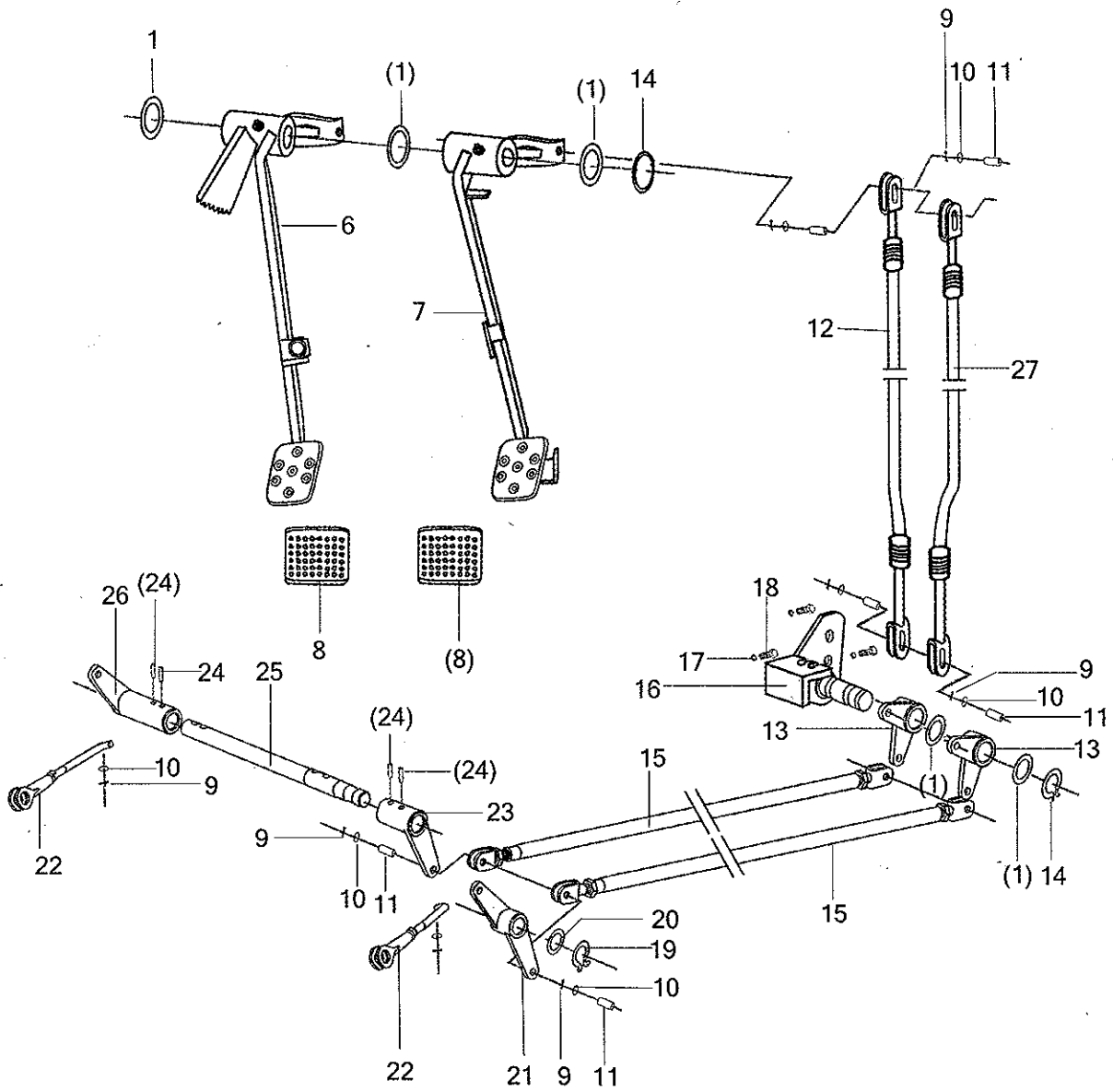


Pa
7/8CN
GB/T91
GB/T88
GB/T92
GB/T91
943021
943021
943011

Disc Brakes

Part Number	Ref.	Description of Part	Unit	Remarks/ Service Bulletin No.
			Quantity	
7/8CN GB/T308-1989	24	Ball	6	
GB/T91-2000	25	Pin	4	
GB/T882 2.5x20	26	Pin B10x32	4	
GB/T92 M10	27	Nut	4	
GB/T91 3.2x20	28	Pin	4	
9430215EUE	32	Seat (L)	1	
9430216EUE	33	Seat (R)	1	
9430116EUE	34	Gasket	2	

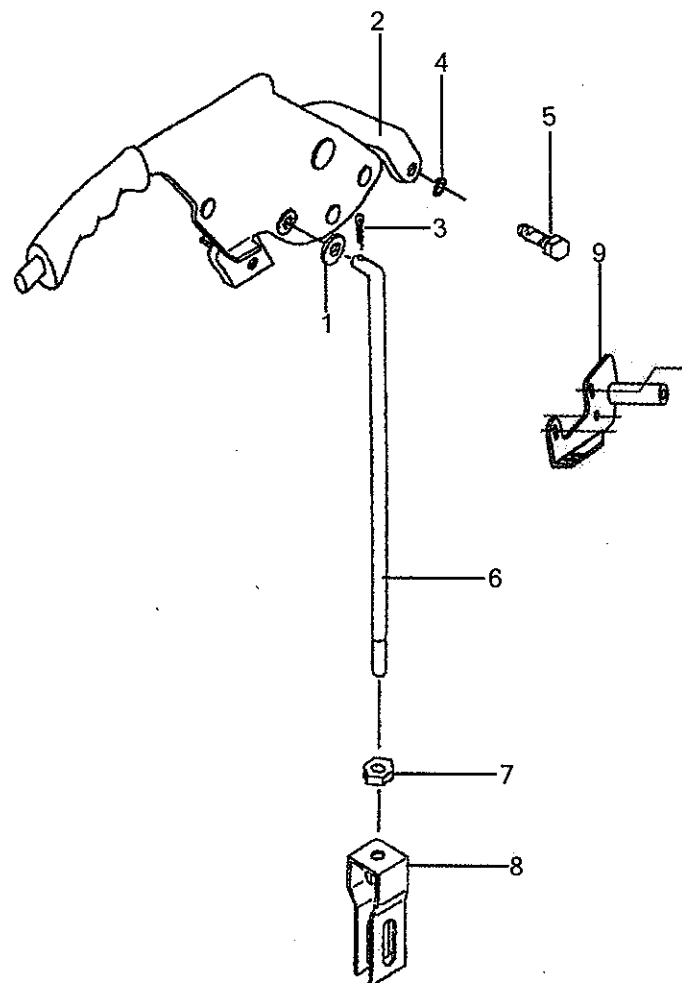
Brake Pedal and Solid Linkages



Brake Pedal and Solid Linkages

MUSA Part Number	Ref.	Description of Part	Unit	Quantity	Remarks/ Service Bulletin No.
9430125BBB	1	Washer		6	
9430030BBS04	6	Left step lever assembly		1	CH/02/F08/07
9430040BBS02	7	Right step lever assembly		1	
9210110BBB	8	Rubber cover		2	
GB/T91 3.2x30	9	Pin		6	
GB/T97.1 10	10	Washer		10	
GB/T882 10x28	11	Pin		12	
9433052EUE	12	Brake transit draw lever assembly		2	
9432090EUE	13	Brake transit arm CPTe		2	
GB/T894.1 30	14	Circlip		2	
9432060BBS	15	Brake handspike assembly		2	
9433060EUE	16	Brake transit support assy		1	
GB/T93 12	17	Washer		3	
GB/T5783 M12x45-8.8	18	Screw		3	
GB/T894.1 24	19	Circlip		1	
GB/T97.1 24	20	Washer		1	
9433020EUE	21	Right brake arm CPTe		1	
9432070EUE	22	brake draw lever assembly		2	
9433040EUE	23	Left brake arm CPTe		1	
GB/T879.1 8x35	24	Pin		4	
9430104BBS01	25	Brake transit shaft		1	
9433030BBS02	26	Left brake driven arm CPTe		1	
9433053EUE	27	Brake transit draw lever assembly		1	

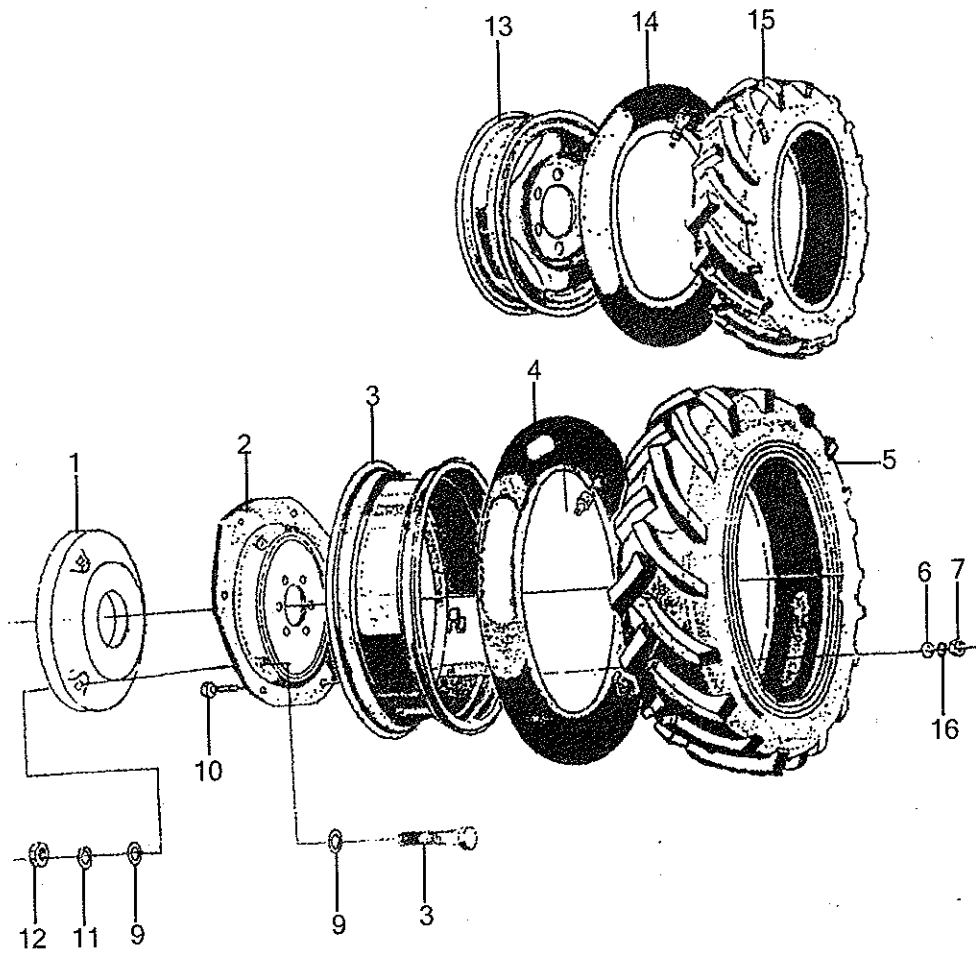
Brake Pedal and Solid Linkages



Brake Pedal and Solid Linkages

Part Number	Ref.	Description of Part	Unit	Remarks/ Service Bulletin No.
			Quantity	
GB/T97.1 10	1	Washer	1	
9431030BAB	2	Handle	1	
GB/T91 3.2x20	3	Pin	1	
GB/T93 10	4	Washer	2	
GB/T5783 M10x25-8.8	5	Screw	2	
9430107BAB	6	Link	1	
GB/T6170 M10x1	7	Nut	1	
9431020BAB	8	Fork	1	
9431501EUE	9	Base	1	

Wheels and Tires

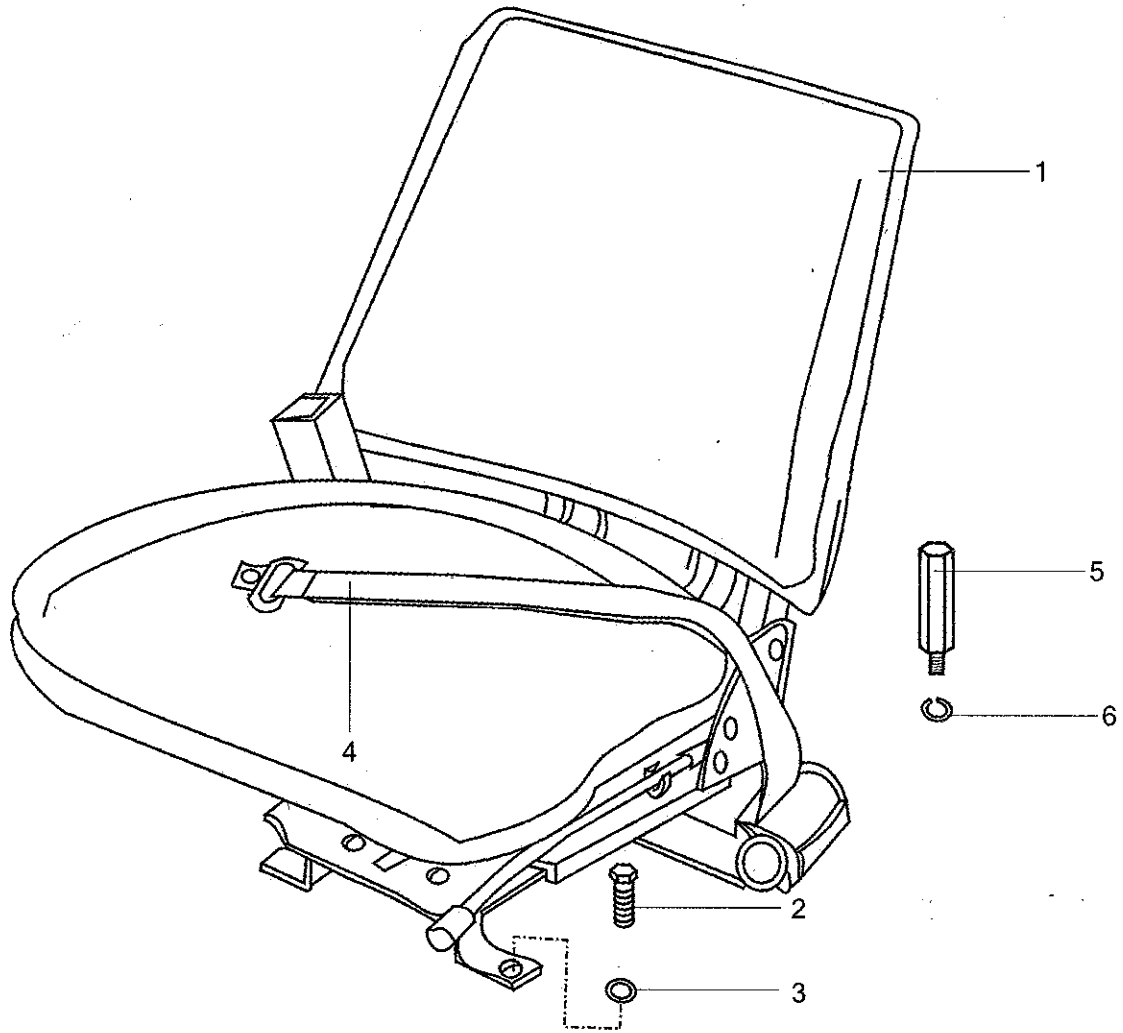


Wheels and Tires

Part Number	Ref.	Description of Part	Unit	Remarks/ Service Bulletin No.
			Quantity	
9750101AAC01	1	Weight	2	
9340201FBB	2	Disc	2	
9340021EUE	3	Rim	2	
GB/T2979 12.4-24	4	Tube	2	
GB/T2979 12.4-24	5	Tyre	2	
GB/T93 16	6	Washer	12	
GB/T6170 M16x1.5	7	Nut	12	
GB/T5782 M12x100	8	Bolt	12	
GB/T93 12	9	Washer	24	
9340202BAD	10	Bolt	12	
GB/T93 12	11	Washer	12	
GB/T6170 M12	12	Nut	12	
9320020EUE	13	Rim	2	
GB/T2979 7.5-16	14	Tube	2	
GB/T2979 7.5-16	15	Tyre	2	
GB/T97.1 16	16	Washer	12	

Seat and ROPS

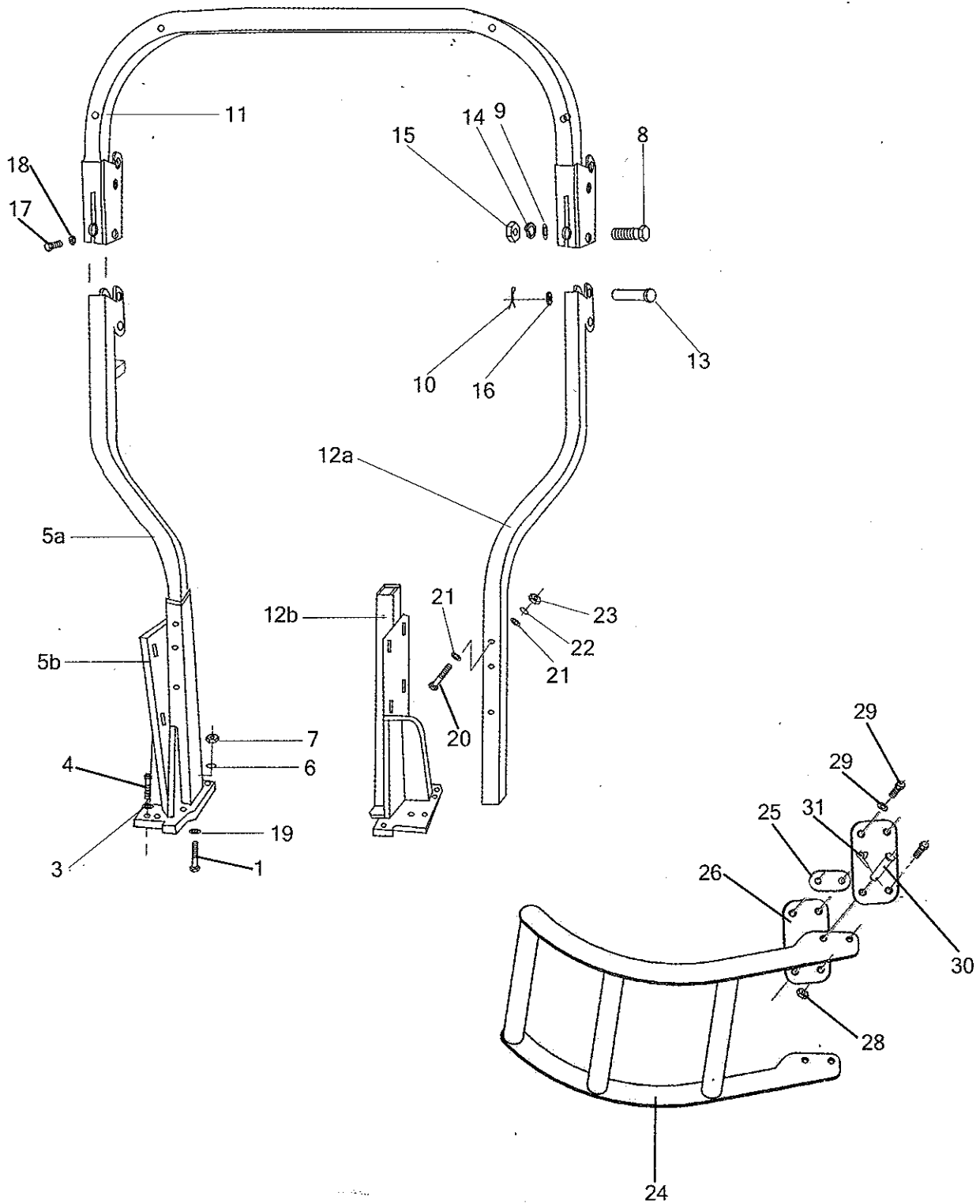
Seat



Seat

MUSA Part Number	Ref.	Description of Part	Unit	Remarks/ Service Bulletin No.
9440020FBB01	1	Seat	1	
GB/T5783 M10x30	2	Bolt	4	
GB/T93 10	3	Washer	4	
9440030FBB	4	Safety Belt	1	
9440101EUE	5	Pin	2	
GB/T93 8	6	Washer	2	

Safety Frame/ROPS

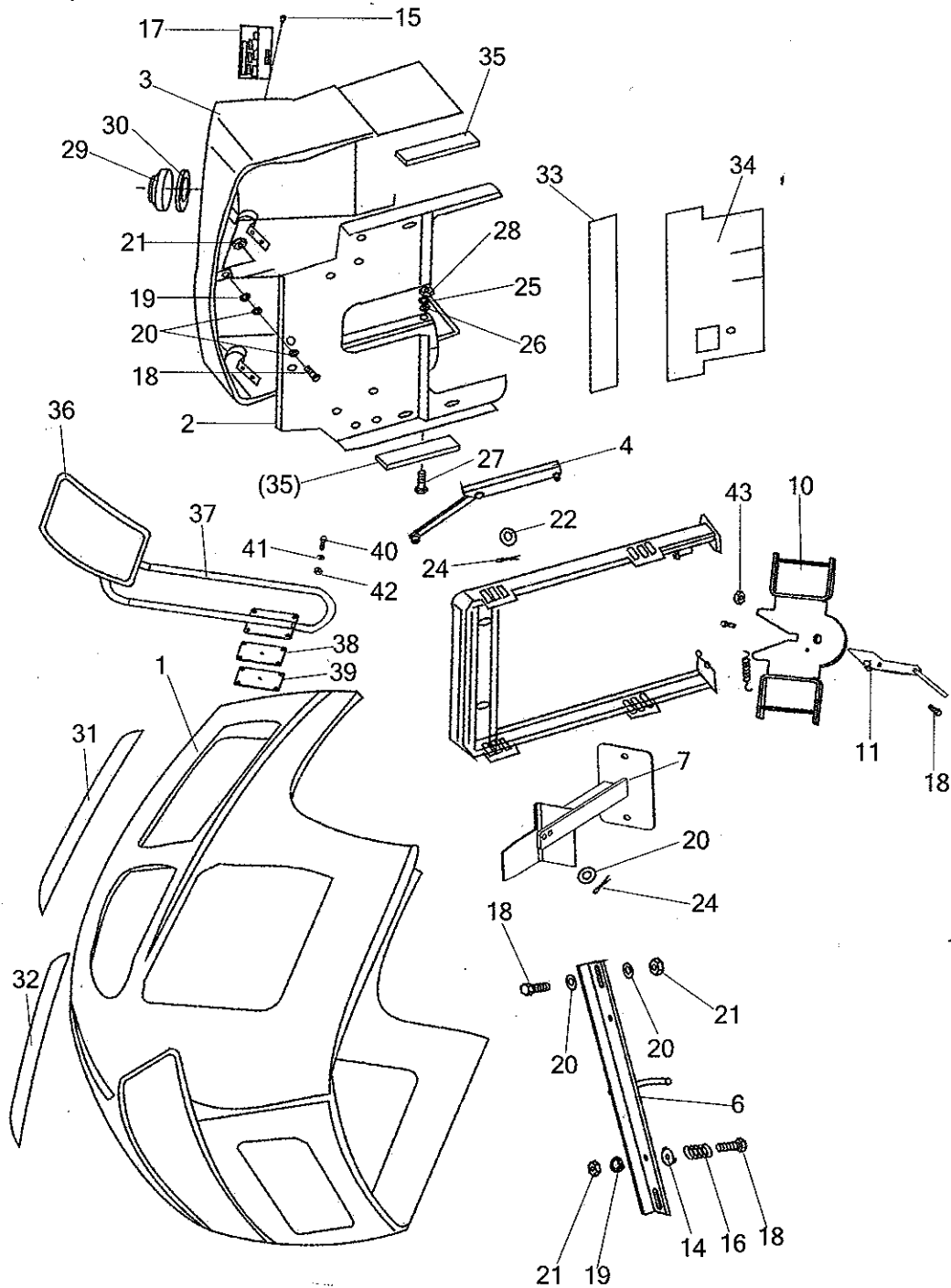


Safety Frame/ROPS

MUSA Part Number	Ref.	Description of Part	Unit	Remarks/ Service Bulletin No.
			Quantity	
GB/T5782 M16x210	1	Bolt	8	
GB/T93 12	3	Washer	4	
GB/T5782 M12x55	4	Bolt	4	
9461020EUE	5a	Safety Frame (R)	1	
9461060EUE	5b	Right bottom support	1	
GB/T93 16	6	Washer	8	
GB/T6170 M16	7	Nut	8	
GB/T5782 M24x110	8	Bolt	2	
GB/T97.1 24	9	Washer	2	
9460102BBB	10	Pin	2	
9461040EUE	11	Top Safety Frame	1	
9461030EUE	12a	Safety Frame (L)	1	
9461050EUE	12b	Left bottom support	1	
GB/T882 B22x85	13	Pin	2	
GB/T93 24	14	Washer	2	
GB/T6170 M24	15	Nut	2	
9460109BBB	16	Gasket	2	
GB/T5783 M10x35-8.8	17	Bolt	4	
GB/T6170 M10	18	Nut	4	
GB/T97.1 16	19	Washer	8	
GB/T5782 M14x110	20	Bolt	4	
GB/T97.1 14	21	Washer	8	
GB/T93 14	22	Washer	4	
GB/T6170 M14	23	Nut	4	
9462020FBB01	24	Front Protection Frame	1	
9462101FBB01	25	Splint II	2	
9462102FBB01	26	Splint I	4	
GB/T5783 M12x45-8.8	27	Bolt	6	
GB/T889.1 M12	28	Nut	2	
GB/T93 12	29	Washer	6	
GB/T882 B12x32	30	Pin	2	
9560105AAA01	31	Pin	2	

Sheet Metal and Electrical System

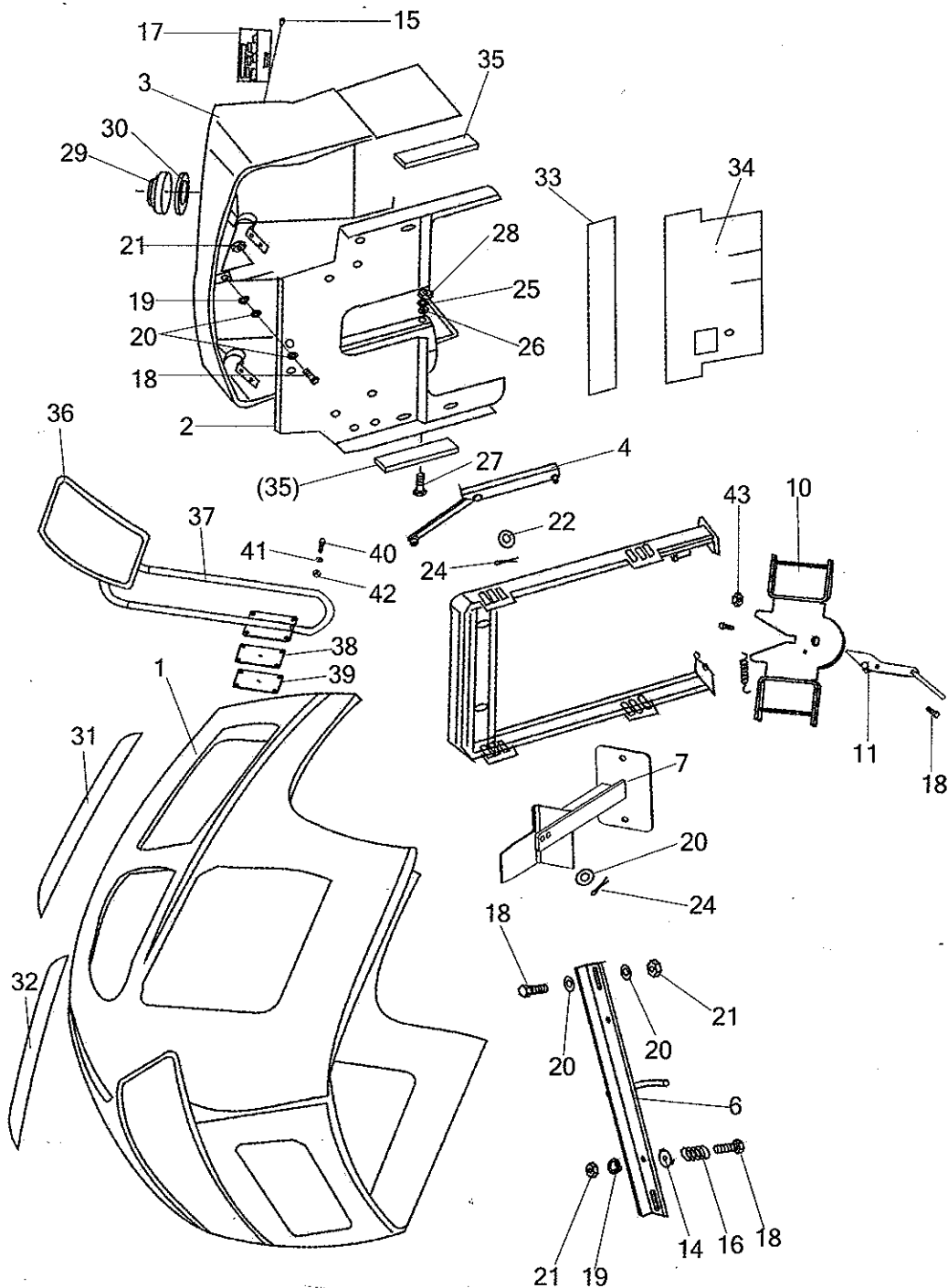
Hood and Instrument Panel



Hood and Instrument Panel

MUSA Part Number	Ref.	Description of Part	Unit	Remarks/ Service Bulletin No.
			Quantity	
9471030EUE	1	Hood	1	
9471040EUE	2	Bracket	1	
9471070FBB	3	Instrument Panel	1	
9471050BBS	4	Brace Assy.	1	
9471090BBS	6	Beam welded assembly	1	
9474020EUE	7	Bracket	1	
9471020BBB04	8	Fuel Tank Bracket	1	
9474030BBS	10	Fixup board CPTE	1	
9474040BBS	11	Hood lock	1	
94711111BBQ	12	Spring	1	
9471124AAJ	14	Lock	2	
GB/T12618 3.2x9	15	Rivet	4	
9471126AAJ01	16	Spring	2	
9500602BBS	17	Name Plate	1	
GB/T5783 M8x25-8.8	18	Bolt	14	
GB/T93 8	19	Washer	14	
GB/T97.1 8	20	Washer	12	
GB/T6170 M8	21	Nut	7	
GB/T5287 8	22	Washer	1	
GB/T818 M5x12	23	Bolt	1	
GB/T91 2x20	24	Pin	2	
GB/T93 10	25	Washer	4	
GB/T97.1 10	26	Washer	4	
GB/T5783 M10x30-8.8	27	Bolt	4	
GB/T6170 M10	28	Nut	4	

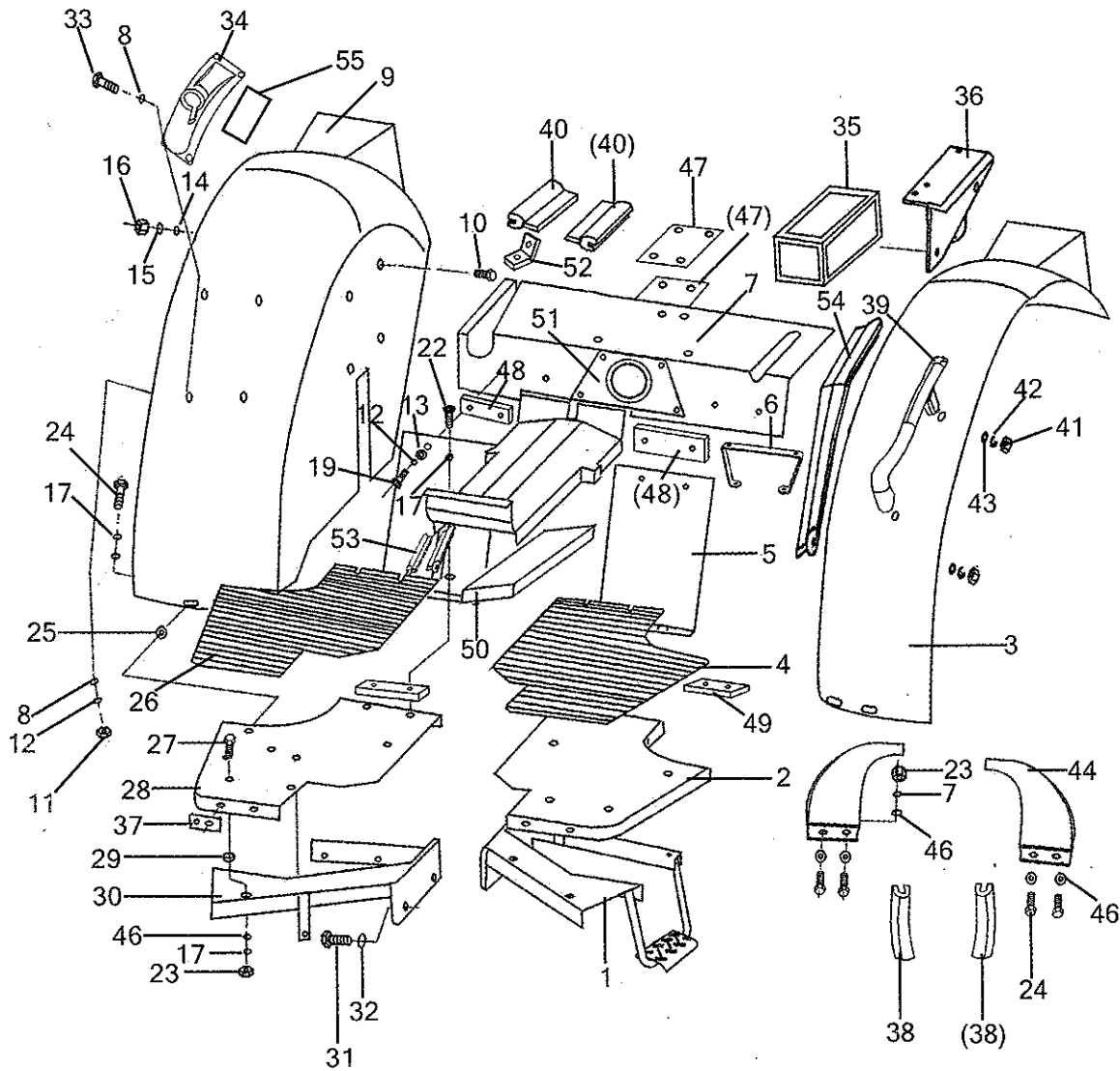
Hood and Instrument Panel



Hood and Instrument Panel

MUSA Part Number	Ref.	Description of Part	Unit	Quantity	Remarks/ Service Bulletin No.
9500107AAA	29	Rubber Jacket		1	
9471121BBB01	30	Rubber Jacket		1	
9471101CUE	31	Decal(L)		1	
9471101EUE					
9471102CUE	32	Decal(R)		1	
9471102EUE					
9471104EUE	33	Sponge (below)		1	
9471103EUE	34	Sponge (above)		1	
9471105EUE	35	Sponge (flank)		2	
9474080EUE	36	Rear mirror		2	
9474090FBB	37	Bracket		2	
9474101FBB	38	Rubber mat		2	
9474102FBB	39	Washer		2	
GB/T5783 M6x30-8.8	40	Bolt		8	
GB/T93 6	41	Washer		8	
GB/T6170 M6	42	Nut		8	
GB/T889.1 M8	43	Nut		1	

Floor And Fenders

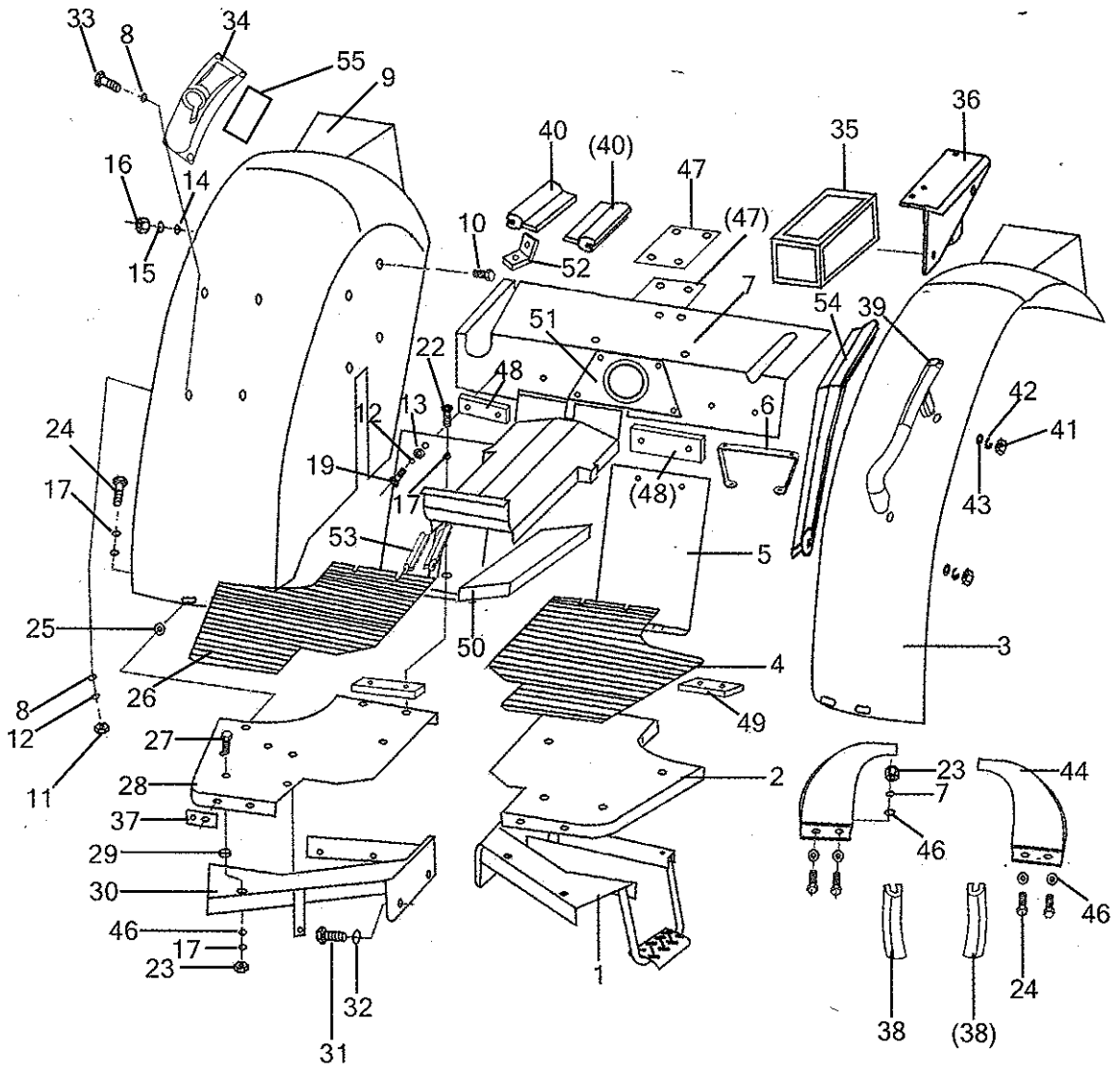


94
 947
 947
 947
 947
 947
 947
 GB/
 947
 GB/
 GB/
 GB/
 GB/
 GB/
 GB/
 GB/
 GB/
 GB/
 GB/
 GB/
 GB/
 GB/T
 9472
 9472
 GB/T
 GB/T
 GB/T
 9472
 9473

Floor And Fenders

MUSA Part Number	Ref.	Description of Part	Unit	Remarks/ Service Bulletin No.
			Quantity	
9473020EUE	1	Floor support (L)	1	
9473050EUE	2	Floor(L)	1	
9472102EUE	3	Fender (L)	1	
9473101EUE	4	Rug (L)	1	
9472109BBA01	5	Connecting Plate (L)	1	
9473070EUE	6	Back Floor Support	1	
9473060EUE	7	Back Floor Plate	1	
GB/T97.1 6	8	Washer	8	
9472101EUE	9	Fender(R)	1	
GB/T5783 M10x30-8.8	10	Bolt	8	
GB/T6170 M6	11	Nut	4	
GB/T93 6	12	Washer	12	
GB/T96.1 6	13	Washer	8	
GB/T96.1 10	14	Washer	8	
GB/T93 10	15	Washer	8	
GB/T6170 M10	16	Nut	8	
GB/T93 8	17	Washer	27	
GB/T97.1 8	18	Washer	6	
GB/T818 M6x20	19	Bolt	8	
9472108BBS02	20	Connecting plate (R)	1	
9472103EUE	21	Cover	1	
GB/T818 M8x20	22	Bolt	4	
GB/T6170 M8	23	Nut	15	
GB/T5783 M8x30-8.8	24	Bolt	15	
9472106BBA	25	Rubber washer	4	
9473102EUE	26	Rug(R)	1	

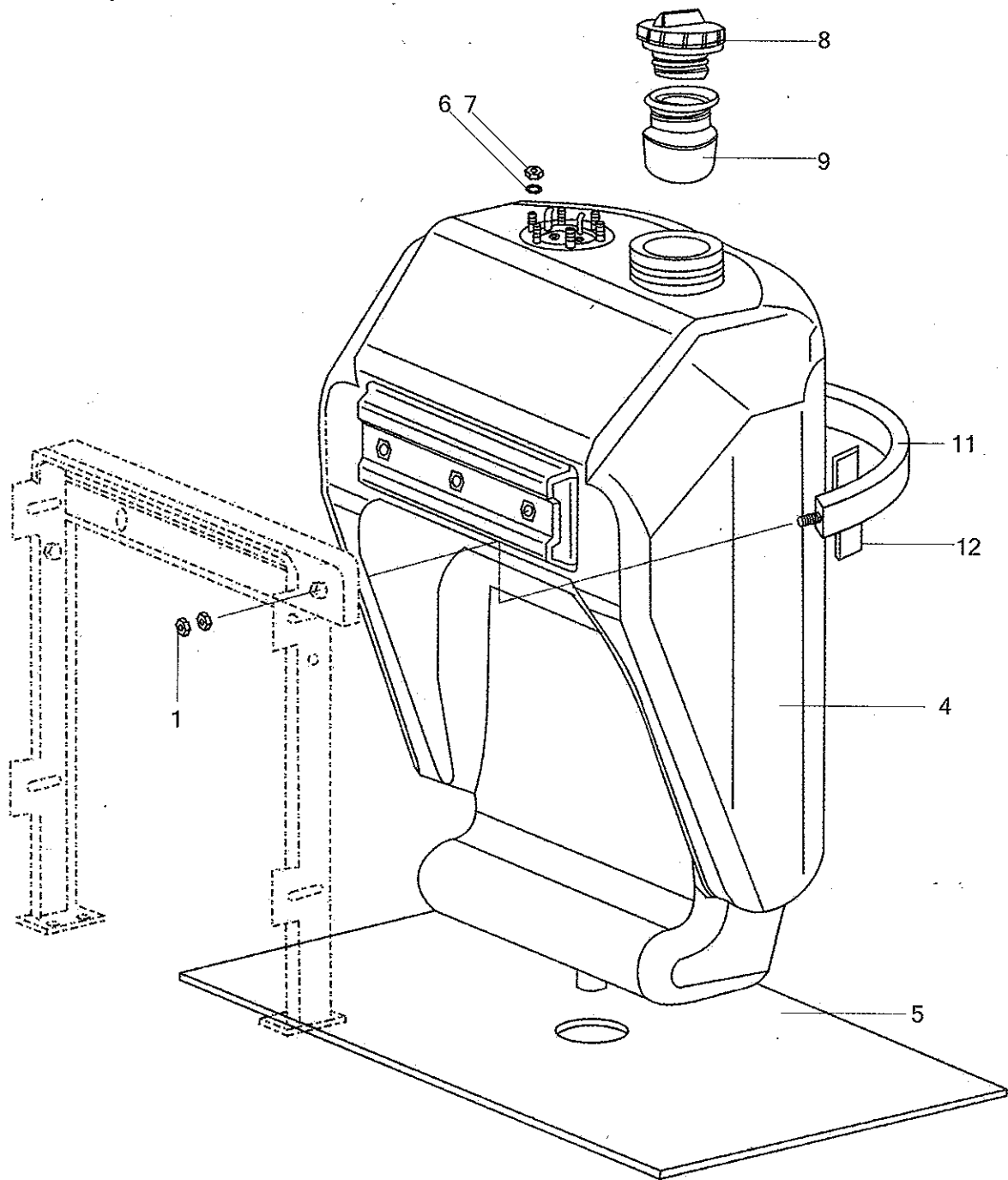
Floor And Fenders



Floor And Fenders

MUSA Part Number	Ref.	Description of Part	Unit	Remarks/ Service Bulletin No.
			Quantity	
GB/T14 M8x30	27	Bolt	8	
9473040EUE	28	Floor (R)	1	
9472103BBA	29	Damper	8	
9473030EUE	30	Floor Support (R)	1	
GB/T5783 M12x30-8.8	31	Bolt	6	
GB/T93 12	32	Washer	6	
GB/T818 M6x30	33	Bolt	4	
9472090EUE	34	Cup	1	
9473010BBB	35	Tool box	1	
9473080EUE	36	Support	1	
9480111AAA	37	Cable clamp	1	
9473108EUE	38	Rubber Washer	2	
9472109EUE	39	Handrail	1	
9473103EUE	40	Rubber Bar	2	
GB/T6170 M12	41	Nut	2	
GB/T93 12	42	Washer	2	
GB/T96.1 12	43	Washer	2	
9472503BBB01	44	Heat shield (L)	1	
9472504BBB01	45	Heat shield (R)	1	
GB/T96.1 8	46	Washer	22	
9473106EUE	47	Rubber Washer	2	
9473104EUE	48	Rubber Washer(above)	2	
9473105EUE	49	Rubber Washer(below)	2	
9473107EUE	50	Sponge	1	
9473109EUE	51	Cover	1	
9473110EUE	52	Support	1	
9473111EUE	53	Rubber	2	
9473112EUE	54	Rubber	2	
9472110EUE	55	Sponge	1	

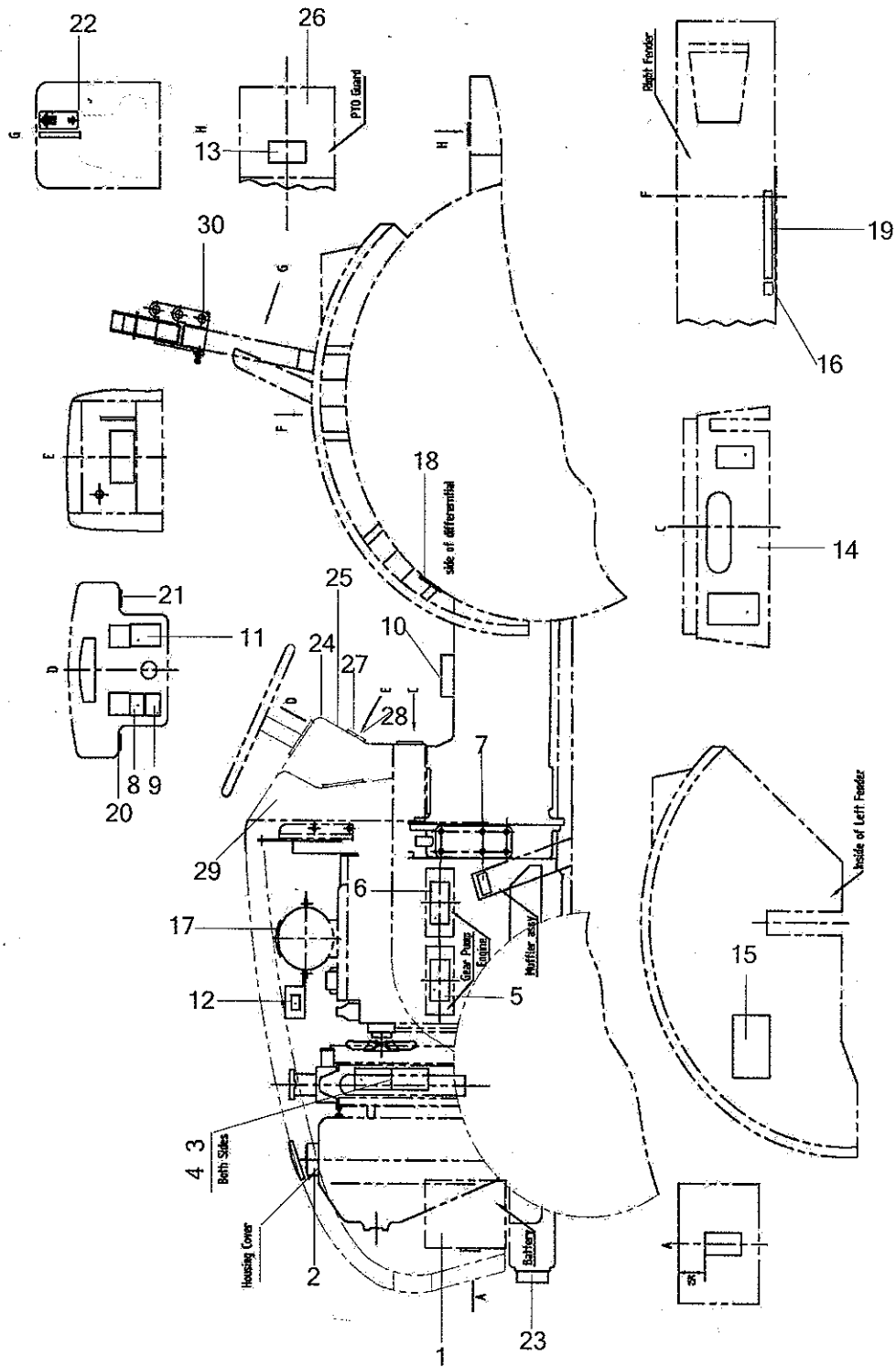
Fuel Tank



Fuel Tank

MUSA Part Number	Ref.	Description of Part	Unit	Remarks/ Service Bulletin No.
			Quantity	
GB/T6170 M6	1	Nut	4	
9500020BBA02	4	Fuel Tank	1	
9500101BBA02	5	Rubber Cushion	1	
GB/T93 5	6	Washer	6	
GB/T6170 M5	7	Nut	6	
9500040AAD01	8	Fuel tank cover	1	
9500040BBA01	9	Connecting pipe assembly	1	
9500050BBS	11	Belt	1	
9500104BBS01	12	Gasket	1	

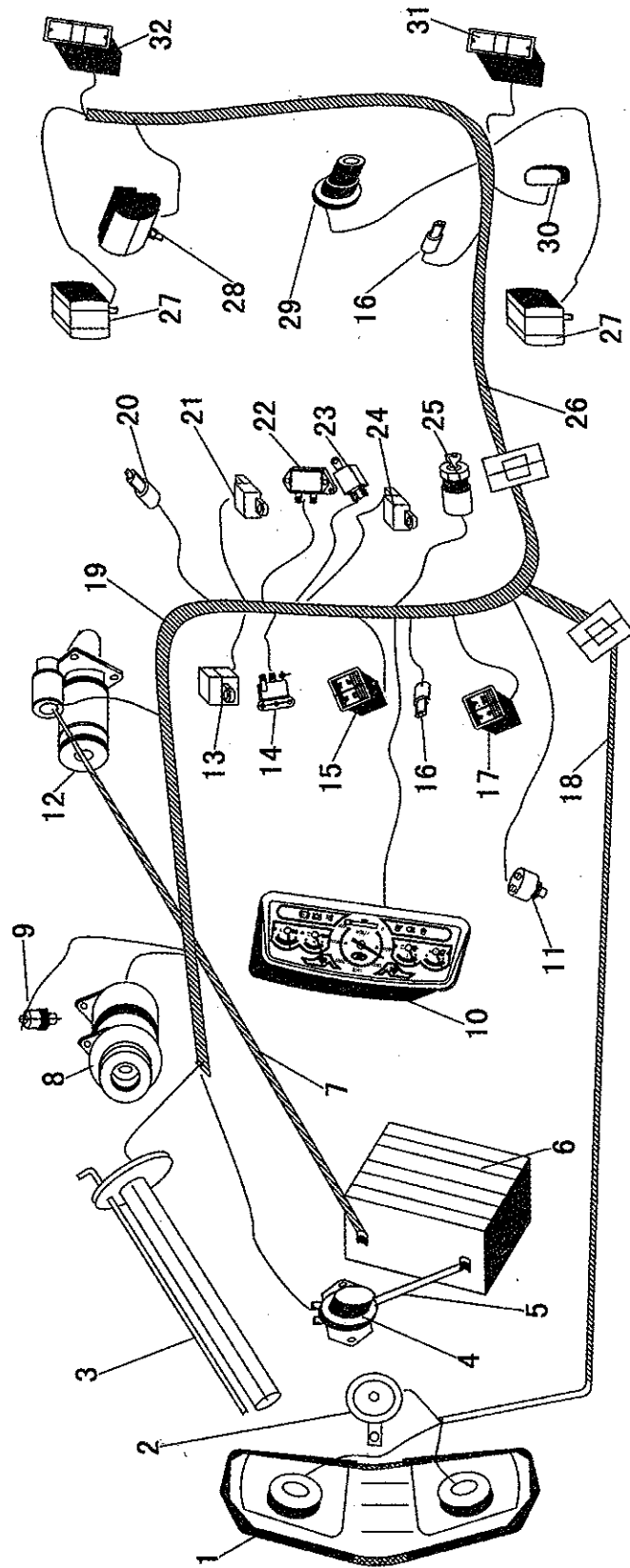
Stickers



Stickers

MUSA Part Number	Ref.	Description of Part	Unit	Remarks/ Service Bulletin No.
			Quantity	
9463109BBS	1	Warning mark nine	1	
9463115BBS01	2	Warning mark fifteen	1	
9463101BBS	3	Warning mark one	2	
9463102BBS	4	Warning mark two	2	
9463108BBS	5	Warning mark eight	1	
9463105BBS01	6	Warning mark five	1	
9463106BBS	7	Warning mark six	1	
9463103BBS	8	Warning mark three	1	
9463120BBS	9	Warning mark twenty	1	
9463107EUE	10	Warning mark seven	1	
9463113BBS	11	Warning mark thirteen	1	
9463104BBS	12	Warning mark four	1	
9463116BBS	13	Warning mark sixteen	1	
9463134FBB	14	Stick	1	
9463112BBS	15	Warning mark twelve	1	
9463133FBB	16	Hand brake stick	1	
9463117BBS	17	Warning mark seventeen	1	
9463111BBS	18	Warning mark eleven	1	
9463119FBB	19	Warning mark nineteen	1	
9370157BBS	20	Decal II	1	
9370156BBS	21	Decal I	1	
9463121BBS	22	Warning mark twenty-one	1	
9463135BBS	23	Opening Hood mark	1	
9463141FBB	24	Start switch stick	1	
9463142FBB	25	Accelerator stick	1	
9463143FBB	26	PTO stick	1	
9463144EUE	27	Stick	1	
GB/T12618 3.2x9	28	Rivet	4	

Electrical System

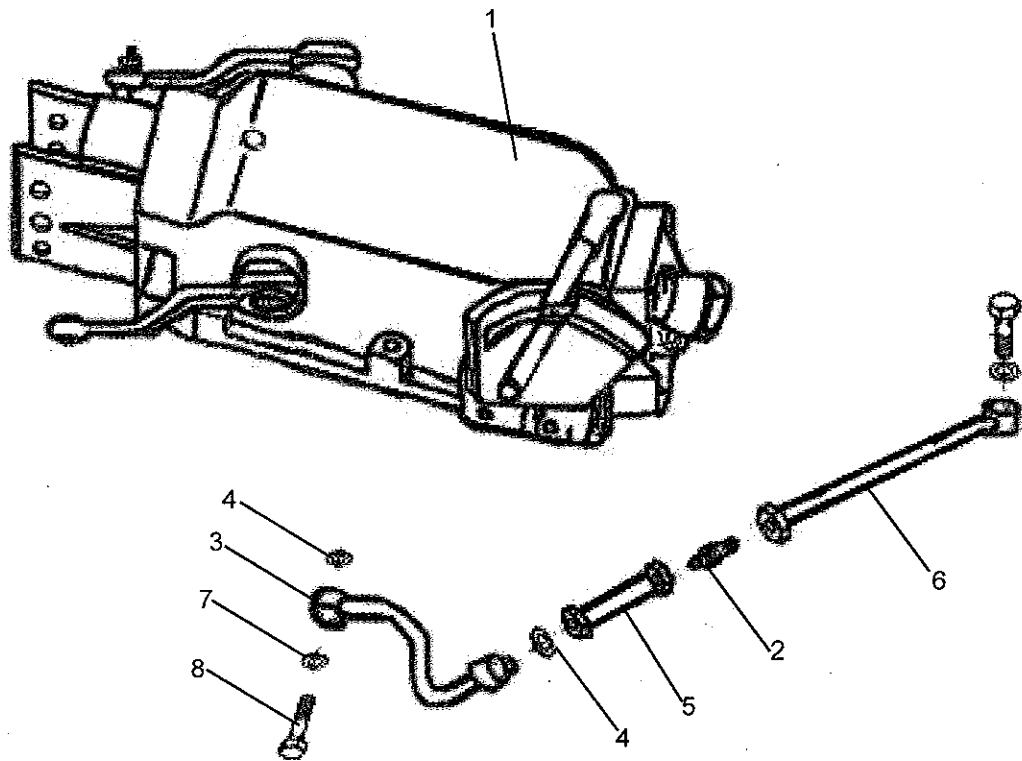


Electrical System

MUSA Part Number	Ref.	Description of Part	Unit	Remarks/ Service Bulletin No.
			Quantity	
9480120FBB	1	Head Light	1	
9480601AAA01	2	Horn	1	
9480090BBS	3	Fuel level Sensor	1	
9480150BBB	4	Electrical Switch	1	
9480055BDD	5	Cable-earth	1	
9480503BAD02	6	Battery	1	
9480054EDF	7	Cable-starter	1	
JF11A-P90	8	Generator	1	
9480106ABA	9	Water Temperature Sensor	1	
9480402EUE	10	Combiners Instrument	1	
9480107ABA	11	Oil Pressure Sensor	1	
QD139	12	Starter	1	
9480056ABD	13	Fuse Box	1	
9480138BBS	14	Start relay	1	
9480043BBS01	15	Switch I	1	
9480411BBS01	16	Neutral Switch	2	
9480044BBS	17	Switch II	1	
9480061FBB	18	Hood Cable	1	
9480021FBB	19	Front Cable	1	
9480113AAB	20	Brake Switch	1	
9480417BBS02	21	Time relay	1	
9480108AAD	22	Voltage Regulator	1	
9480404AAD	23	Flasher	1	
9480419BBS	24	Relay	1	
9480408BBS	25	Starter Switch	1	
9480022FBB	26	Back Cable	1	
9480119FBB	27	Front Position&Direction Lamp L/R	1/1	
9480103BBS	28	Rear work light	1	
9480153FBB	29	Seven-line Socket	1	
9480156FBB	30	Registration Plate Light	1	
9480117FBB	31	Lamp L	1	
9480118FBB	32	Lamp R	1	

Hydraulics

Hydraulic Lift



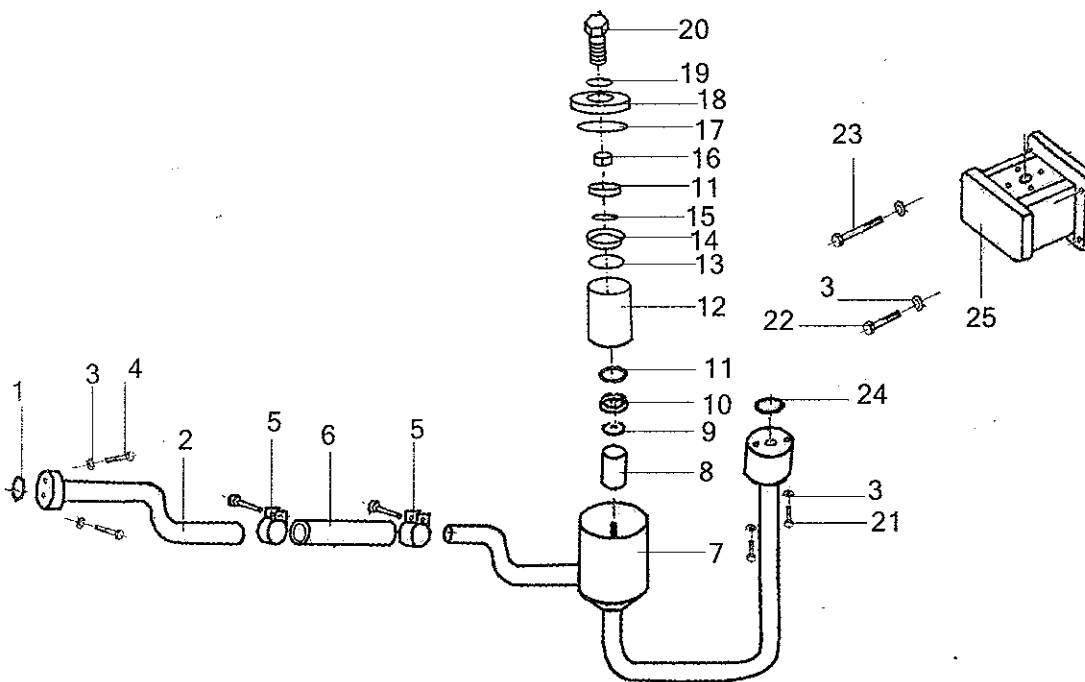
Hydraulic Lift

Part Number	Ref.	Description of Part	Unit	Remarks/ Service Bulletin No.
			Quantity	
9550020EUE	1	Hydraulic Sys	1	
9550308BBB	2	Joint body 3/4" JIC	1	
95500333EUE	3	Pipe	1	
16X2.4-F GB1235	4	O-Seal 16X2.4-F	2	
9550032FBB	5	Pipe	1	
9550031EUE	6	Pipe	1	
GB/T5783 M8x40-8.8	7	Bolt M8x40	2	
GB/T93 8	8	Washer 8	2	

Three Point Linkage

Part Number	Ref.	Description of Part	Unit	Remarks/ Service Bulletin No.
			Quantity	
9560021AAD	1	Rod	1	
9560108AAD	2	Plate	1	
M6 JB/T7940.1	3	Nipple M6	3	
9560022AAD01	4	Tube	1	
9560023AAD	5	Rod	1	
9350030AAA	6	Pin	6	
9560102AAA	7	pin	2	
GB/T93 16	8	Washer 16	10	
GB/T6170 M16	9	Nut	2	
9560060EDF01	10	Rod	1	
9560082EDF01	11	Rod	1	
9560106EDF	12	Pin	2	
9560107EUE	14	Pin	2	
GB/T879.1 3x24	16	Pin 3x24	2	
GB/T6172 M24	17	Nut M24	2	
9560032AAD	18	Tube	2	
9560033EDF	19	Fork	2	
9560105AAA01	20	Pin	4	
GB/T882 B16x50	21	Pin B16x50	2	
GB/T91 3.2x20	22	Pin 3.2x20	6	
GB/T97.1 12	23	Washer 12	8	
9560055EDF	24	Fork	2	
GB/T882 B12x70	25	Pin B12x70	4	
9560054EDF	26	Pin	2	
9560501EDF	27	Tube	2	
Q50110	28	Pin 2x40.6	2	
9560052EDF	29	Rod	2	
9560053EDF	30	Fork	2	
GB/T882 B12x45	31	Pin	1	
9560051EUE	32	Linke	1	
9560081EDF01	33	Seat	1	
GB/T5783 M16x30-8.8	34	Bolt M16x30	8	
9560031EDF	35	Fork	2	
9560040EDF01	36	Rod	1	
GB/T93 12	37	Washer 12	8	
GB/T5783 M12x35-8.8	38	Bolt M12x35	8	
9560071EUE	39	Linke	1	

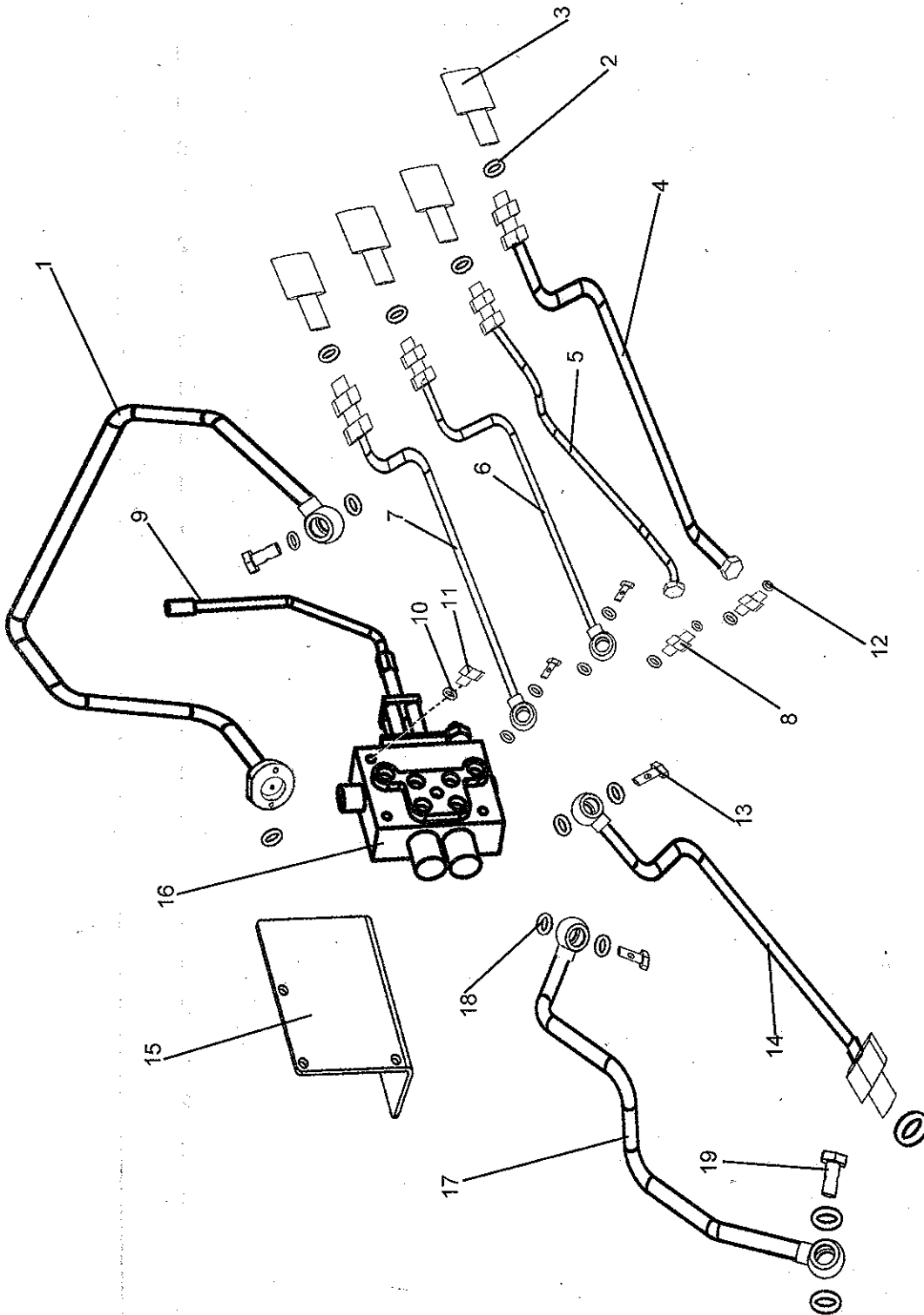
Hydraulic Pump & Pipes



Hydraulic Pump & Pipes

Part Number	Ref.	Description of Part	Unit	Remarks/ Service Bulletin No.
			Quantity	
26x2.4-F GB1235	1	O-Seal 26x2.4-F	1	
9580040EUE	2	Pipe	1	
GB/T93 8	3	Washer 8	9	
GB/T5783 M8x25	4	Bolt M8x25	3	
HG0-9 27-51	5	Clip 27-51	2	
25x35x180 HG4-548-67	6	Pipe 25x35x180	1	
9580031EUE	7	Barrel	1	
9580324AAD	8	Bush	1	
30x3.1 GB1235	9	O-Seal30x3.1	1	
9580315BAB	10	Cover	1	
40x3.5 GB1235	11	O-Seal 40x3.5	2	
9540052EUE	12	Net	1	
9580318BAB	13	Cover	1	
9580319BAB	14	Seal	1	
9580322BAB	15	Seat	1	
GB/T6171 M10x1	16	Nut M10x1	1	
9580317BAB	17	Seal 84x6x2.5	1	
9580323BAB	18	Cover	1	
9580321BAB	19	Washer 20	1	
9580320BAB	20	Bolt	1	
GB/T70 M8x25	21	Bolt M8x25	2	
GB/T5782 M8x35	22	Bolt M8x35	2	
GB/T5782 M8x55	23	Bolt M8x55	2	
24x2.4-F GB1235	24	O-Seal 24x2.4-F	1	
9580050EUE	25	Pump	1	

Remote Hydraulic Control System

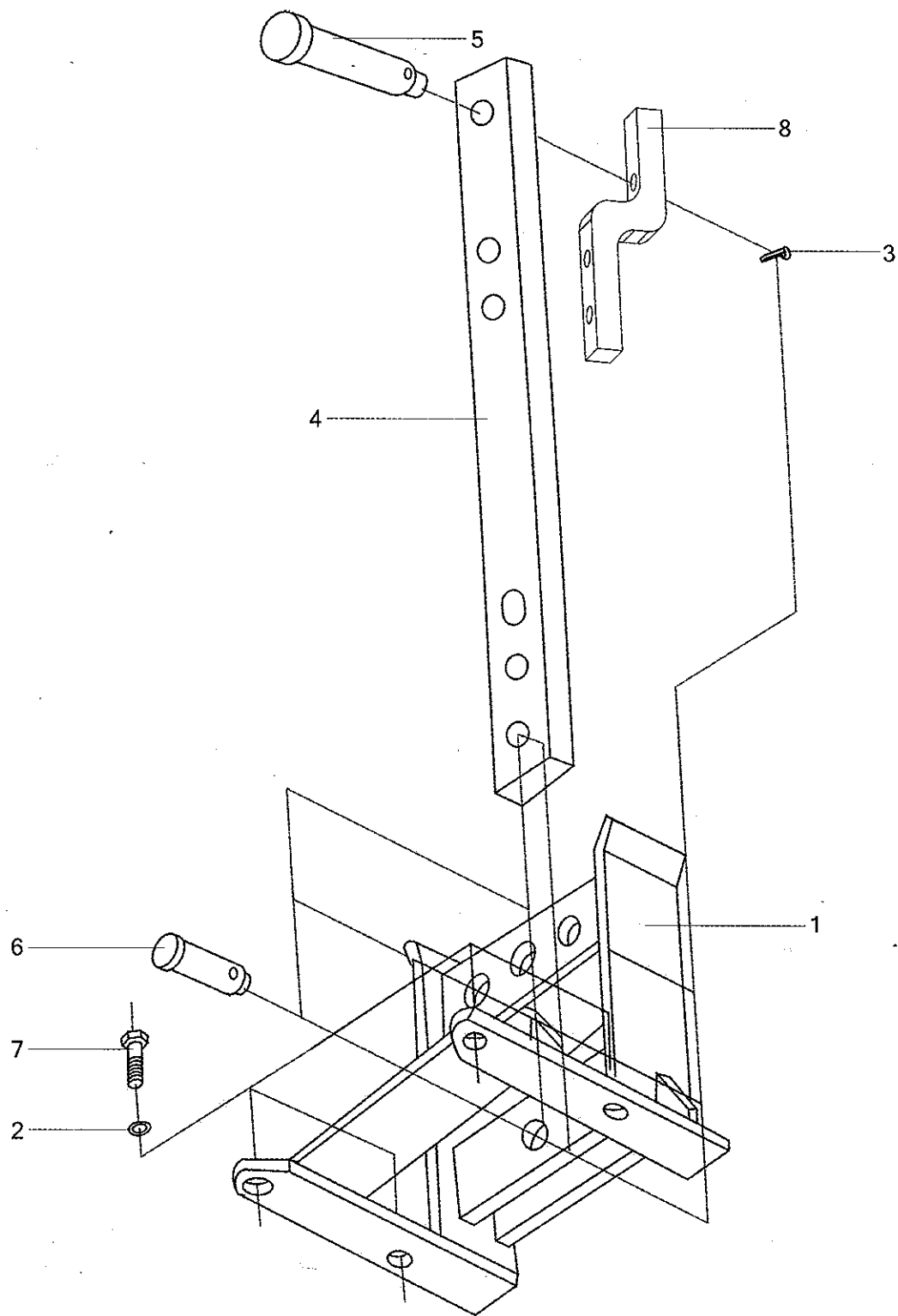


Remote Hydraulic Control System

MUSA Part Number	Ref.	Description of Part	Unit	Remarks/ Service Bulletin No.
			Quantity	
9611060EUE	1	Pipe	1	
20 JB/T982-1977	2	Washer	6	
9610041BBB01	3	Joints	4	
9761071EUE	4	Pipe	1	
9761073EUE	5	Pipe	1	
9761072EUE	6	Pipe	1	
9761074EUE	7	Pipe	1	
14/M8x1.5 JB/T984-1977	8	Joints	2	
9611105EUE	9	Arm	1	
GB/T93 8	10	Washer	3	
GB/T5782 M8x45	11	Bolt	3	
16x2.4-F GB1235	12	O-ring	4	
9550307BAD	13	Bolt	5	
9611040EUE	14	Pipe	1	
9611104EUE	15	Patch bay	1	
9610020EUE	16	Hydraulic output Assy	1	
9611050EUE	17	Pipe	1	
18 JB/T982-1977	18	Washer	12	
9550307BBD	19	Bolt	1	

Attachments

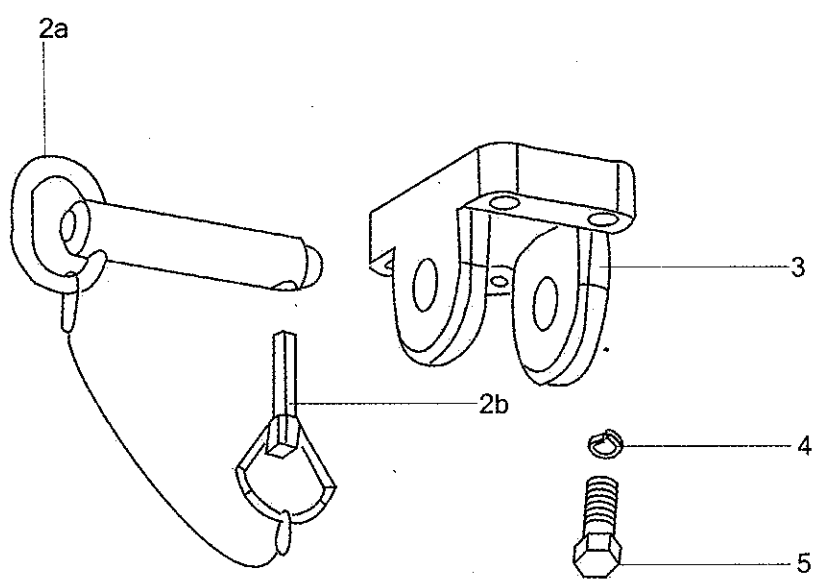
Drawbar



Drawbar

MUSA Part Number	Ref.	Description of Part	Unit	Remarks/ Service Bulletin No.
			Quantity	
9350020EUE	1	Frame	1	
GB/T93 16	2	Washer	4	
9350030AAA	3	Linchpin	4	
9350102FBB	4	Bar	1	
9350401BBB	5	Pin	1	
9350101ABA	6	Pin	3	
GB/T5783 M16x40	7	Bolt	4	
9350103FBB	8	Drawbar clip	1	

Front two hook

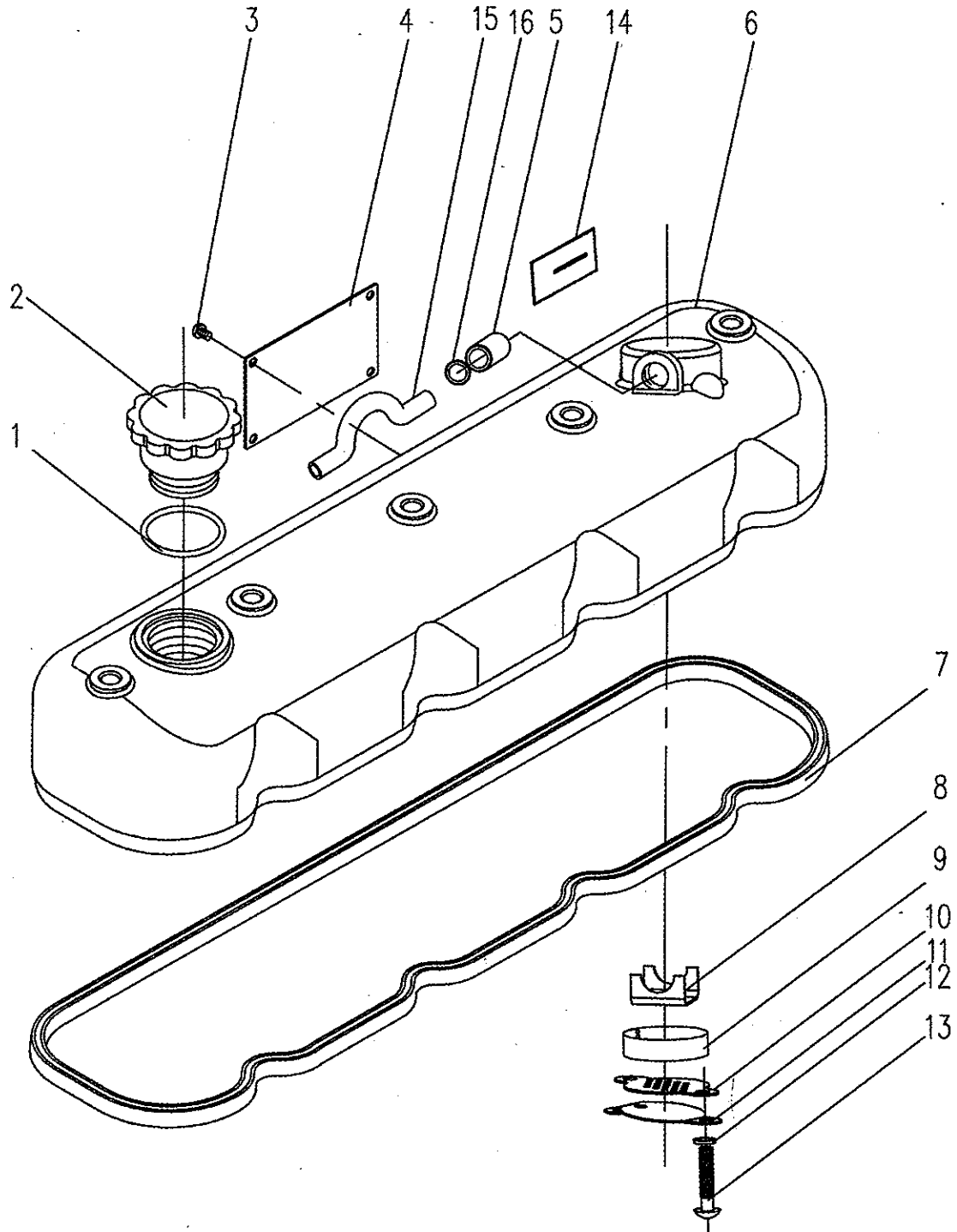


Front two hook

Remarks/ Service Bulletin No.	Unit Quantity	Description of Part	Ref.	MUSA Part Number
	1	Pin	2a	9740040FBB
	1	Lock pin assembly	2b	9740030BBA
	1	Drawbar	3	9740102FBB
	4	Washer	4	GB/T93 12
	4	Bolt	5	GB/T5782 M12x60

ENGINE

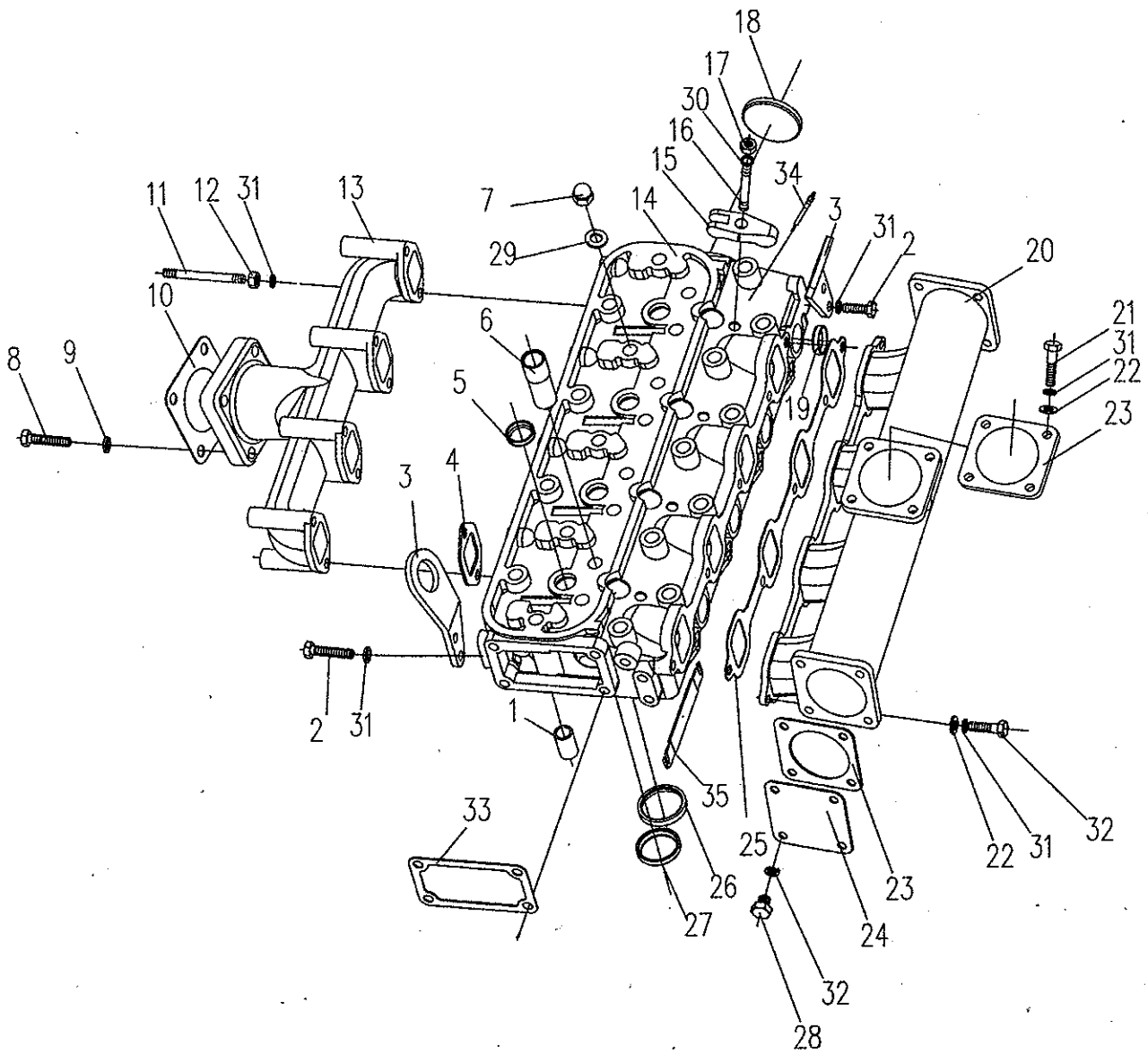
Cylinder Head Cover Assembly



Cylinder Head Cover Assembly

Part Number	Ref.	Description of Part	Unit	Remarks/ Service Bulletin No.
			Quantity	
GB/T3452.1-92	1	seal ring 33.5x2.65	1	
N85-01002	2	Oil filling cover	1	
GB/T65-2000	3	Bolt M4x6	4	
ZN390TE-01009Y	4	Name plate	1	
N85-01004	5	Breather tube	1	
4L68-010003B	6	Cylinder head cover	1	
N485-01001	7	Cylinder head cover seal	1	
N85-01005	8	Retainer	1	
N85-01008	9	Steel wool screen	1	
N85-01007	10	Multi-hole retaining plate	1	
N85-01006	11	Oil retainer	1	
GB/T895-87	12	Washer 6	2	
GB/T65-2000	13	Screw M6x12	2	
ZN390TE-09007	14	Emission label	1	
QC/T619-1999	15	Breather pipe	1	
	16	Pipe clip Q676B25	2	

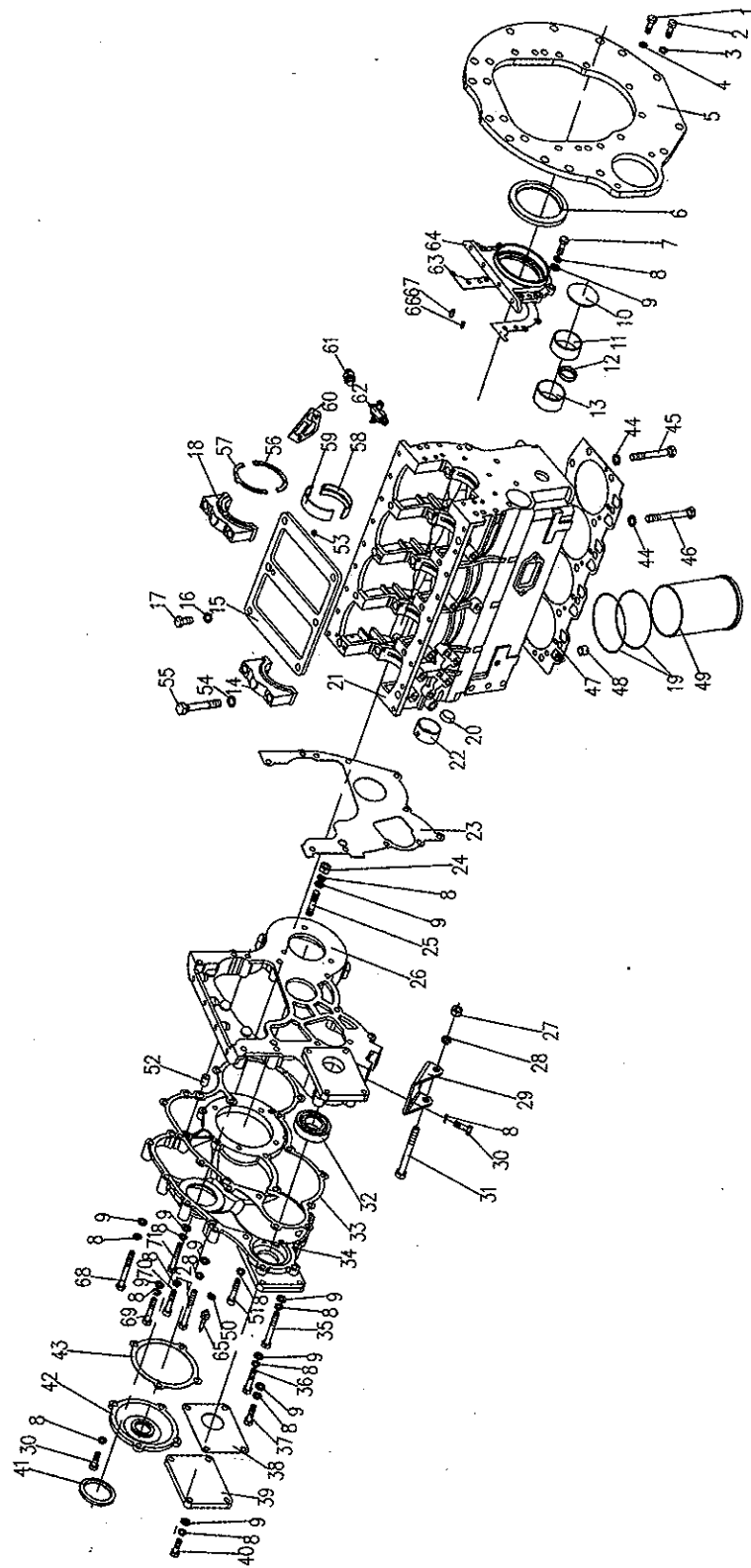
Cylinder Head Assembly



Cylinder Head Assembly

MUSA Part Number	Ref.	Description of Part	Unit	Quantity	Remarks/ Service Bulletin No.
N85-02101A	1	Sleeve		4	
GB/T5782-2000	2	Bolt M8x20		4	
N85-02004	3	Lifting eye		2	
4L68-020006	4	Exhaust manifo		4	
N85-02109	5	Expansion plug $\varnothing 26$		4	
N85-02105	6	Intake manifold		4	
GB/T923-8	7	Nut M8		5	
GB/T5783-2000	8	Bolt M10x30		4	
GB/T93-87	9	Washer 10		6	
N85T-20001	10	Gasket		1	
GB/T899-88	11	Stud M8x75		8	
GB/T6170-2000	12	Nut M8		8	
N485T-10001	13	Exhaust manifold		1	
4B26-021008	14	Cylinder head		1	
4L68-020009	15	Injector clamping plate		4	
GB/T899-88	16	Bolt M10x50		4	
GB/T6170-2000	17	Nut M10		4	
N85-02104	18	Expansion plug $\varnothing 55$		1	
N85-02102	19	Expansion plug $\varnothing 20$		4	
N485T-09001	20	Intake manifold		1	
GB/T5783-2000	21	Bolt M8x20		4	
GB/T97.1-2002	22	Washer 8		4	
N485-09006	23	Gasket		3	
N485-09005	24	Cover		2	
ZN490QA-02005	25	Intake manifold gasket		1	
4L68-021007	26	Intake vlvæ seat		4	
4L68-021006	27	Exhaust valve seat		4	
GB/T5783-200	28	Bolt M8x16		8	
QJ/MD05.01	29	Washer 8		5	
GB/T899-88	30	Bolt M10x50		8	
GB/T859-87	31	Washer 8		29	
GB/T5782-2000	32	Bolt M8x28		5	
N85Q-17004	33	Thermostat shell gasket		1	
4B26-023000A	34	Heater plug		4	
4B26-020010	35	Heater plug patch board		1	

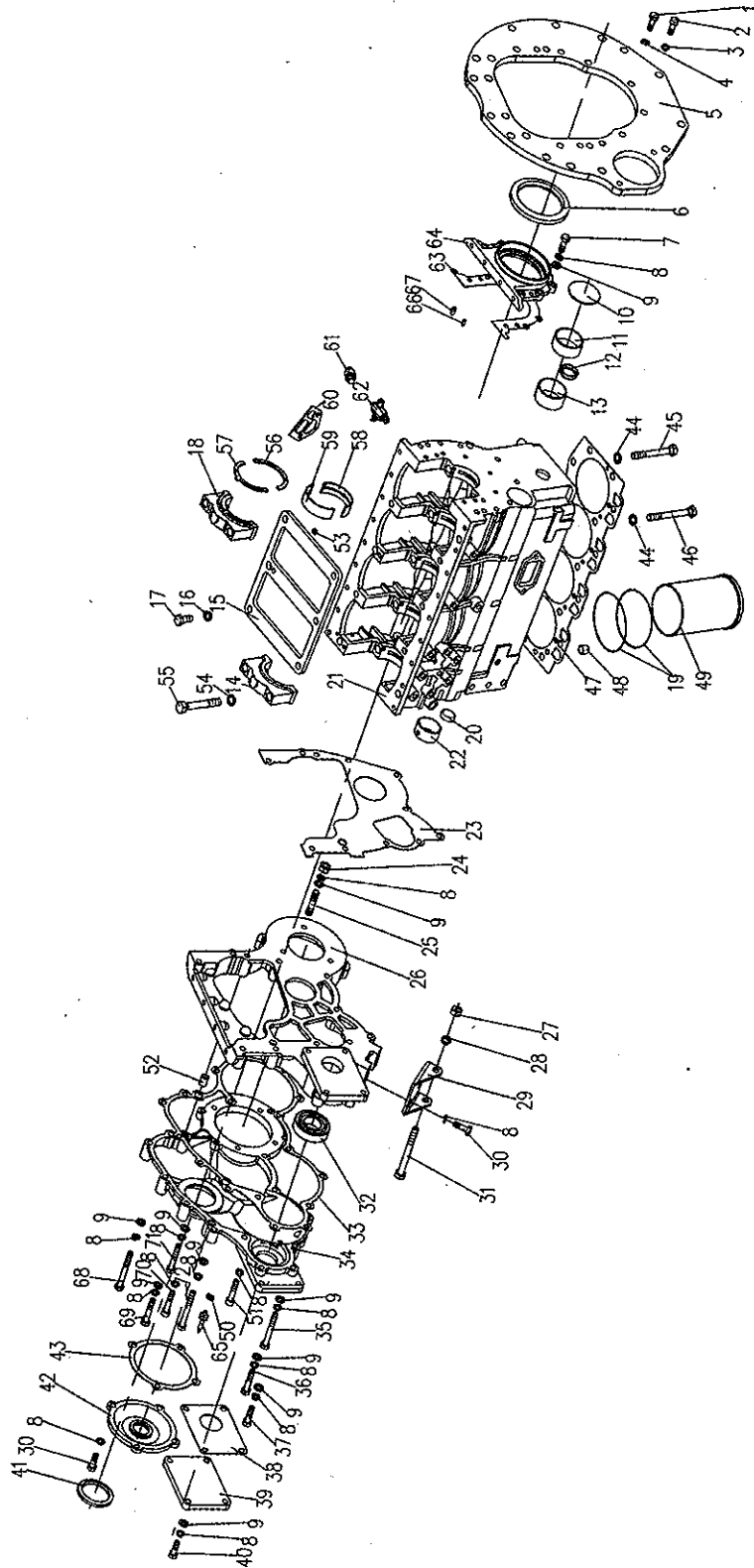
Cylinder Block and Gear Case Assembly



Cylinder Block and Gear Case Assembly

MUSA Part Number	Ref.	Description of Part	Unit	Remarks/ Service Bulletin No.
			Quantity	
GB/T5782-2000	1	Bolt M10x35	10	
GB/T5782-2000	2	Bolt M12x40	4	
GB/T859-87	3	Washer 12	2	
GB/T859-87	4	Washer 10	12	
ZN485T-03012	5	Flywheel housing	1	
HG4-692-67	6	Oil seal DL85 x 110 x 12	1	
GB/T5783-2000	7	Bolt M8 x 25	7	
GB/T859-87	8	Washer 8	46	
GB/T848-85	9	Washer 8	42	
N85-03108	10	Expansion plug	1	
N85-03109	11	Camshaft rear bushing	1	
N85-03102	12	Expansion plug Φ 30	4	
N85-03112	13	Camshaft middle bushing	1	
ZN490QA-03104	14	Main shaft cover	4	
4L40-03022	15	Reinforce plate	1	
GB/T93-87	16	Washer 12	5	
GB/T5782-2000	17	Bolt M12x25	5	
ZN490QA-03107	18	Rear main shaft cover	1	
N90-03002	19	Water seal ring	8	
N85-03111	20	Blocking plug Φ 14	4	
4L40-03101	21	Cylinder block	1	
N85-03103	22	Camshaft bushing	1	
N85-12001	23	Gear case gasket	1	
GB/T6170-86	24	Nut M8	3	
GB/T899-88	25	Bolt M8 Φ 35	3	
ZN485T-12002	26	Gear case	1	
GB/T6170-86	27	Nut M10	1	
GB/T93-87	28	Washer 10	1	
N85T-12007	29	Generator bracket	1	
GB/T5782-2000	30	Bolt M8x20	6	
GB/T5782-2000	31	Bolt M10x90	1	
GB/T276-82	32	Bearing 107	2	
N85-12003(A)	33	Gear case cover gasket	1	
ZN485T-12004	34	Gear case cover	1	
GB/T5782-2000	35	Bolt M8x65	3	
GB/T5782-2000	36	Bolt M8x40	1	
GB/T5782-2000	37	Bolt M8x30	2	
N85T-12010	38	Hydraulic pump cover gasket	2	
N85T-12009	39	Hydraulic pump cover	2	
GB/T5782-2000	40	Bolt M8x25	11	
HG4-692-67	41	Oil seal DR 52x72x12	1	
N485T-12005	42	Gear case front cover	1	
N485T-12006	43	Gear case front cover gasket	1	
N85-03014	44	Cylinder head bolt washer	14	
N85-03016	45	Cylinder head shot bolt	4	
N85-03015	46	Cylinder head long bolt	14	
4B26-030013	47	Cylinder head gasket	1	
N85-03017	48	Cylinder head locating sleeve	2	
N90-03003	49	Cylinder liner	4	
GB/T859-87	50	Washer 6	1	
GB/T170-1-2000	51	Inner hexagon cylindrical bolt M8x20	3	

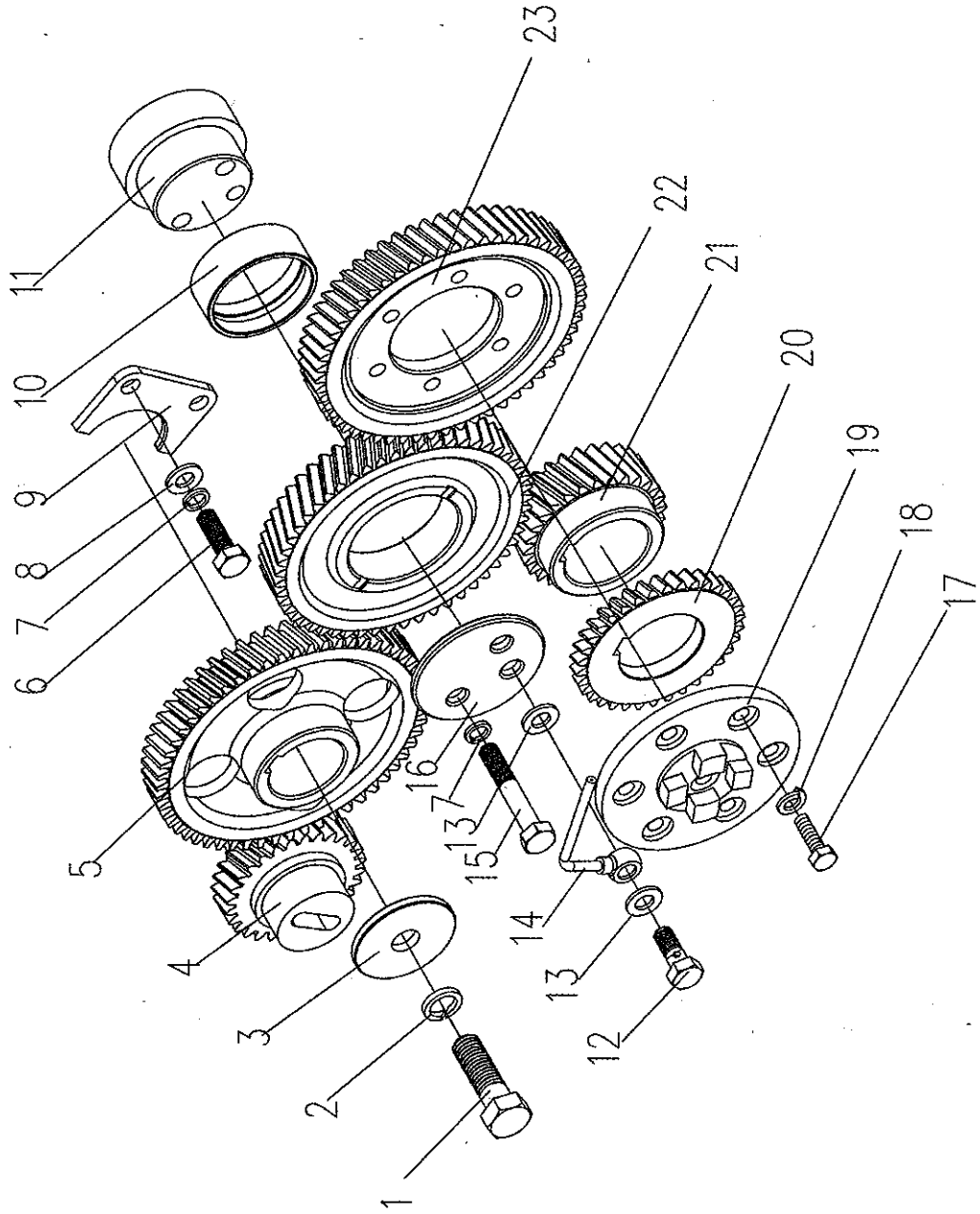
Cylinder Block and Gear Case Assembly



Cylinder Block and Gear Case Assembly

MUSA Part Number	Ref.	Description of Part	Unit	Remarks/ Service Bulletin No.
			Quantity	
N85-03001	52	Gear case locating sleeve	3	
N85T-03110	53	Dowel pin	2	
N85-03105	54	Main shaft cover bolt washer	10	
N90-03106	55	Main shaft cover bolt	10	
N85-03007	56	Crankshaft thrust plate (lower)	2	
N85-03009	57	Crankshaft thrust plate (upper)	2	
N85-03006	58	Main bearing shell (lower)	4	
N85-03008	59	Main bearing shell (upper)	4	
N85-03020	60	Lubricating oil filter gasket	1	
N85-03004	61	Oil pressure sensor	1	
ZN390TE-03200	62	Water draining cock	1	
N85-03005	63	Rear oil seal cover gasket	1	
N85-03010	64	Rear oil seal cover	1	
N85T-12008	65	T.D.C. pointer	1	
GB/T119-2000	66	pin B8x16	2	
GB/T119-2000	67	pin B10x22	2	
GB/T5782-2000	68	Bolt M8x60	1	
GB/T5782-2000	69	Bolt M8x45	3	
GB/T70.1-2000	70	Inner hexagon cylindrical bolt M8x55	1	
GB/T5782-2000	71	Bolt M8x50	2	
GB/T5782-2000	72	Bolt M8x75	1	

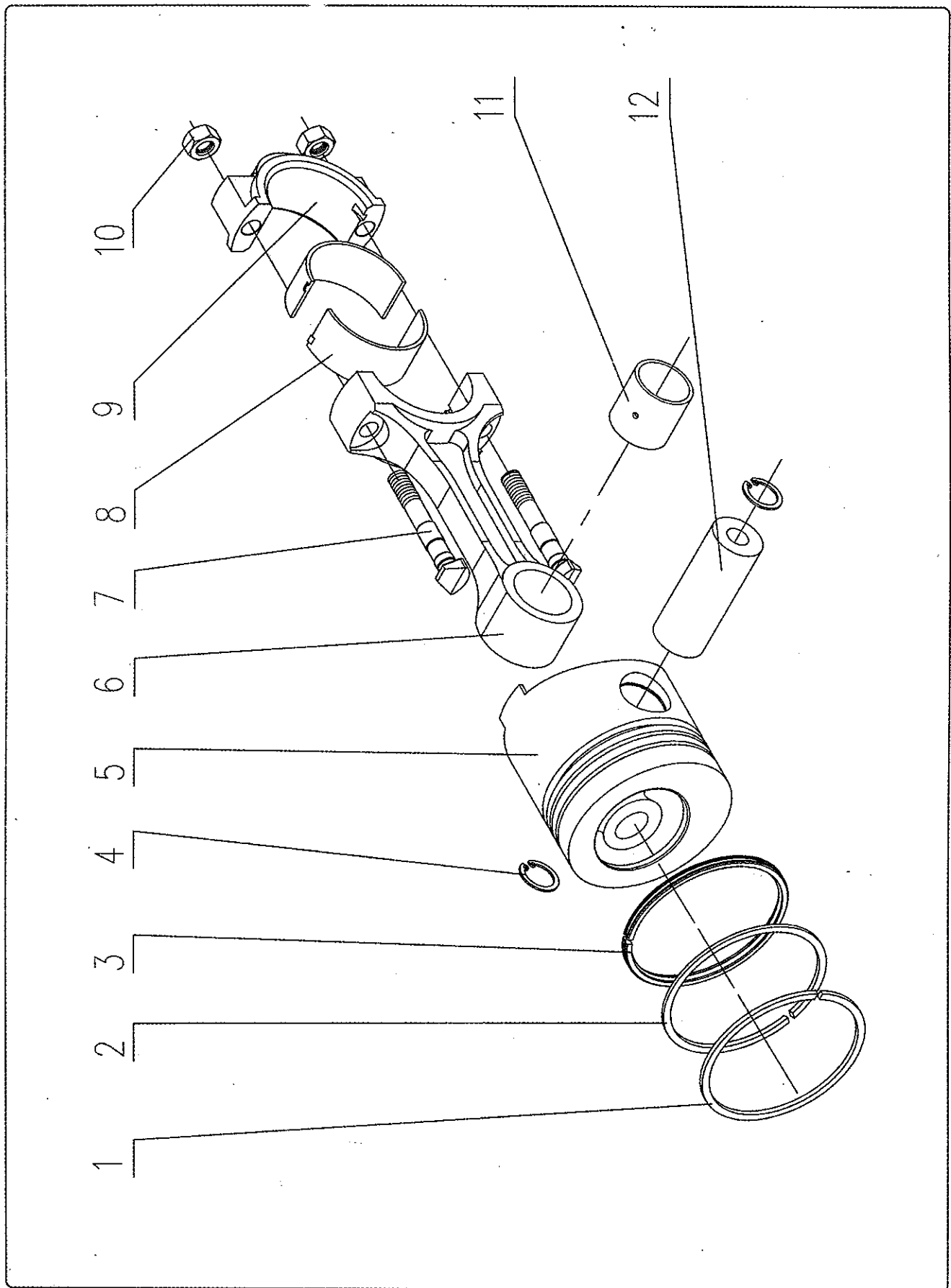
Timing Gear Train



Timing Gear Train

MUSA Part Number	Ref.	Description of Part	Unit	Remarks/ Service Bulletin No.
			Quantity	
GB/T5782-2000	1	Bolt M12x30	1	
GB/T859-87	2	Washer 12	1	
N85-04009	3	Camshaft timing gear retainer	1	
N85T-04011A	4	Hydraulic pump gear	1	
4L68-040007	5	Camshaft timing gear	1	
GB/T5782-2000	6	Bolt M8x16	2	
GB/T859-87	7	Washer 8	4	
GB/T97.1-2002	8	Washer 8	2	
N85-04008	9	Camshaft retainer	1	
N85-04002	10	Timing idle gear bushing	1	
N85T-04004	11	Timing idle gear shaft	1	
N85T-04012	12	Hollow bolt	1	
195-09001-1	13	Washer	2	
N485T-04100	14	Oil pipe	1	
GB/T5782-2000	15	Bolt M8x50	2	
N85T-04003	16	Timing idle gear retainer	1	
GB/T5783-2000	17	Bolt M6x25	5	
GB/T859-87	18	Washer 6	6	
N485T-32001(D)	19	Adapter	1	
4L88-040010	20	Lubricating oil pump driving gear	1	
4L68-040006	21	Crankshaft timing gear	1	
4L68-040005	22	Timing idle gear	1	
N485T-04001(A)	23	Injection pump timing gear	1	

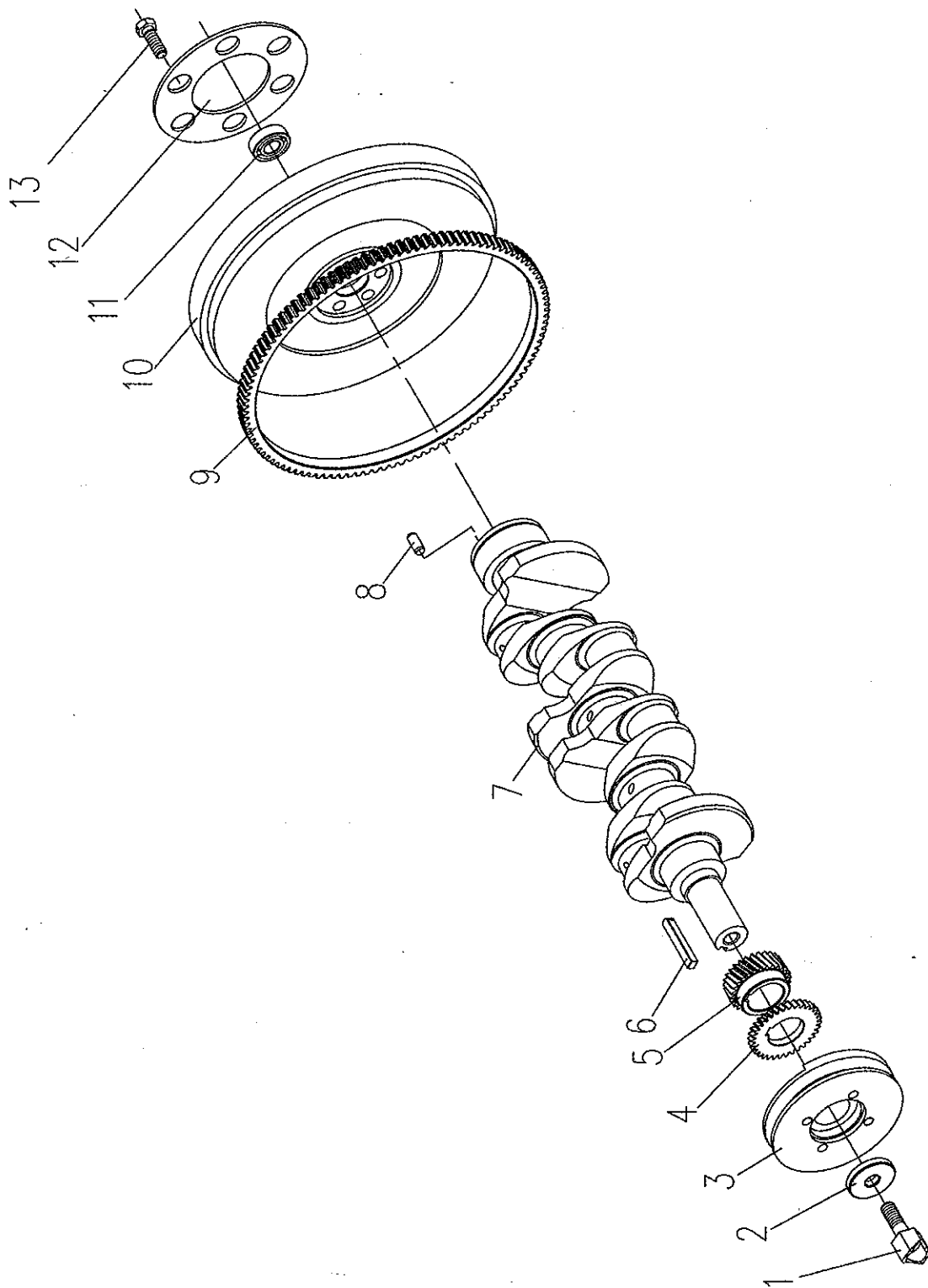
Piston and Connecting Rod Assembly



Piston and Connecting Rod Assembly

MUSA Part Number	Ref.	Description of Part	Unit	Quantity	Remarks/ Service Bulletin No.
4B26-050002	1	1st piston ring		4	
4B26-050003	2	2nd piston ring		4	
4B26-051000	3	Oil ring		4	
GB/T893.2-86	4	Circlip 28		8	
4B26-050001	5	Piston		4	
N85-05201	6	Connecting rod		4	
N85-05203	7	Connecting rod bolt		8	
4L68-050005	8	Connecting rod bearing shell		8	
N85-05204	9	Connecting rod cap		4	
N85-05205	10	Connecting rod nut		8	
N85-05202	11	Connecting rod bushing		4	
N85-05004	12	Piston pin		4	

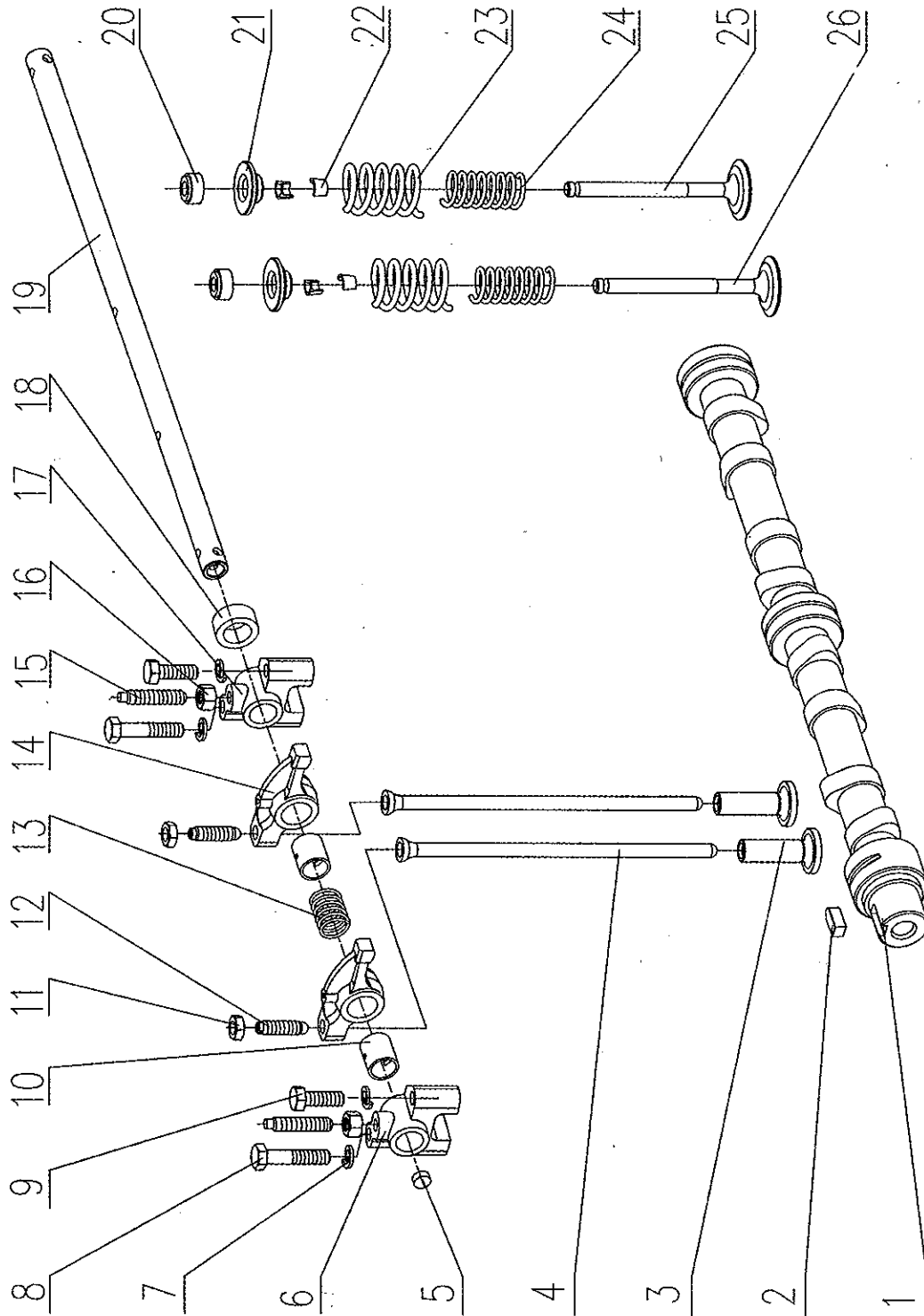
Crankshaft and Flywheel Assembly



Crankshaft and Flywheel Assembly

MUSA Part Number	Ref.	Description of Part	Unit	Remarks/ Service Bulletin No.
			Quantity	
N85Q-06007	1	Crankshaft pulley bolt	1	
N85-06002	2	Starting jaw washer	1	
ZN485T-06001	3	Crankshaft pulley	1	
N485-04010(A)	4	Lubricating oil pump driving gear	1	
4L68-040006	5	Crankshaft timing gear	1	
GB/T1096-2003	6	Key C10x63	1	
ZN490B-06004-1	7	Crankshaft	1	
GB/T1119.1-2000	8	Cylindrical pin B10x25h8	1	
N85-06102	9	Flywheel ring gear	1	
ZN485T-06101	10	Flywheel	1	
GB/T276-94	11	Bearing 6004	1	
N85-06005(A)	12	Flywheel blot washer	1	
N85-06006	13	Flywheel bolt	6	

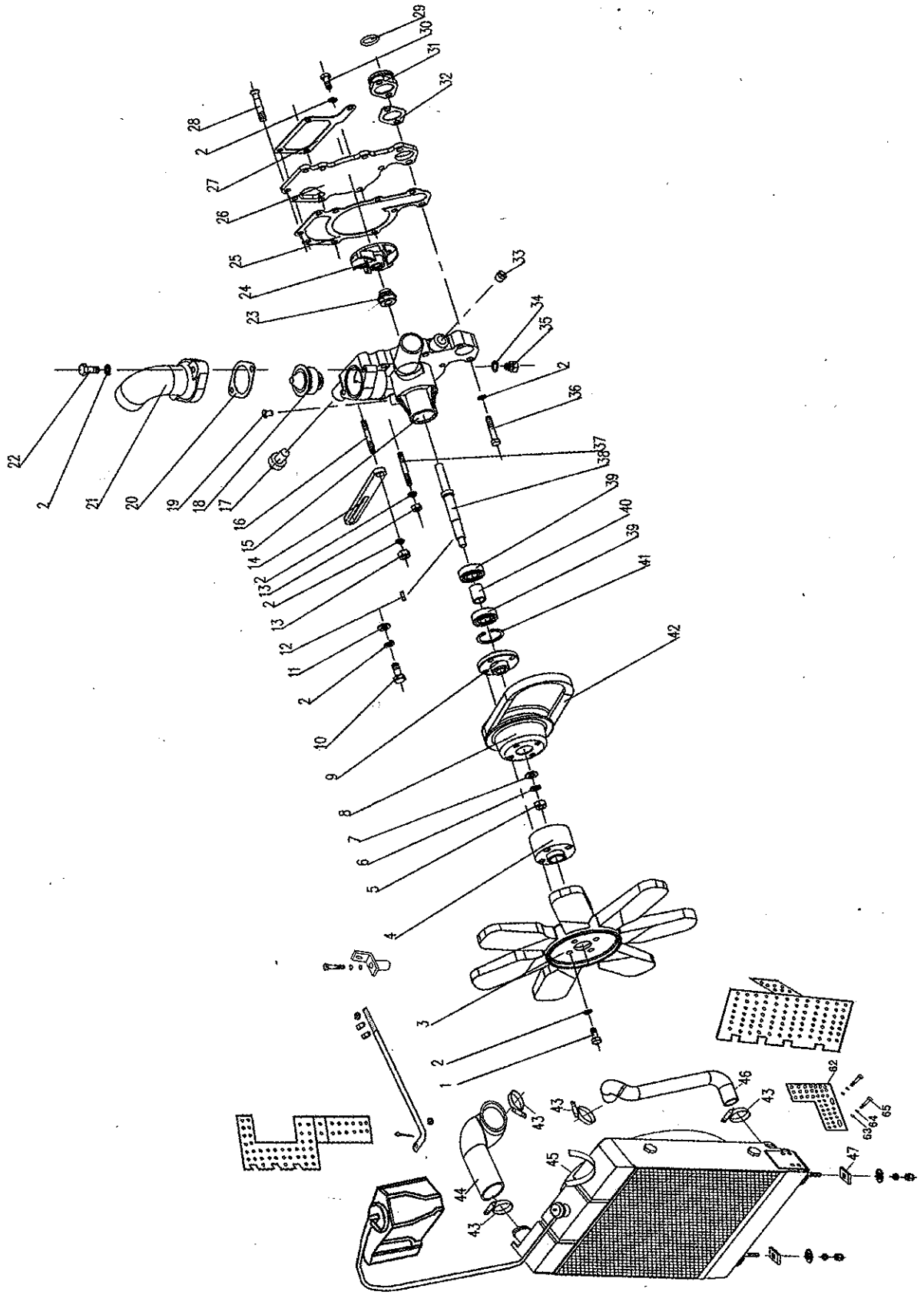
Valve Timing Mechanism



Valve Timing Mechanism

MUSA Part Number	Ref.	Description of Part	Unit	Remarks/ Service Bulletin No.
			Quantity	
N485-07001	1	Camshaft	1	
GB/T1096-2003	2	Falt key C10x25	1	
N485-07003	3	Valve tappet	8	
N485-07002	4	Valve push rod	8	
N85-02208	5	Blocking plug	2	
N85-022001	6	Front rocker arm support	1	
GB/T859-87	7	Washer 8	10	
GB/T5782-2000	8	Bolt M8x60	5	
GB/T5782-2000	9	Bolt M8x45	5	
N85-02212	10	Valve rocker arm bushing	8	
N85-02203	11	Valve clearance adjusting nut	8	
N85-02202	12	Valve clearance adjusting screw	8	
N85-02205	13	Valve rocker arm spring	4	
N85-02211	14	Valve rocker arm	8	
GB/T79-2000	15	Screw M8x45	5	
GB/T6170-2000	16	Nut M8	5	
N85-022004	17	Rocker arm support	4	
N85-02206	18	Rocker arm shaft bushing	3	
N485-02207	19	Rocker arm shaft	1	
GB/T308-77	20	Valve rod seal ring	8	
N85-02001-1	21	Valve spring seat(upper)	8	
N85-02002	22	Valve collet	16	
N85-02003-1	23	Valve outer spring	8	
N85-02003-2	24	Valve inner spring	8	
4B26-020007	25	Exhaust valve	4	
4B26-020008	26	Intake valve	4	

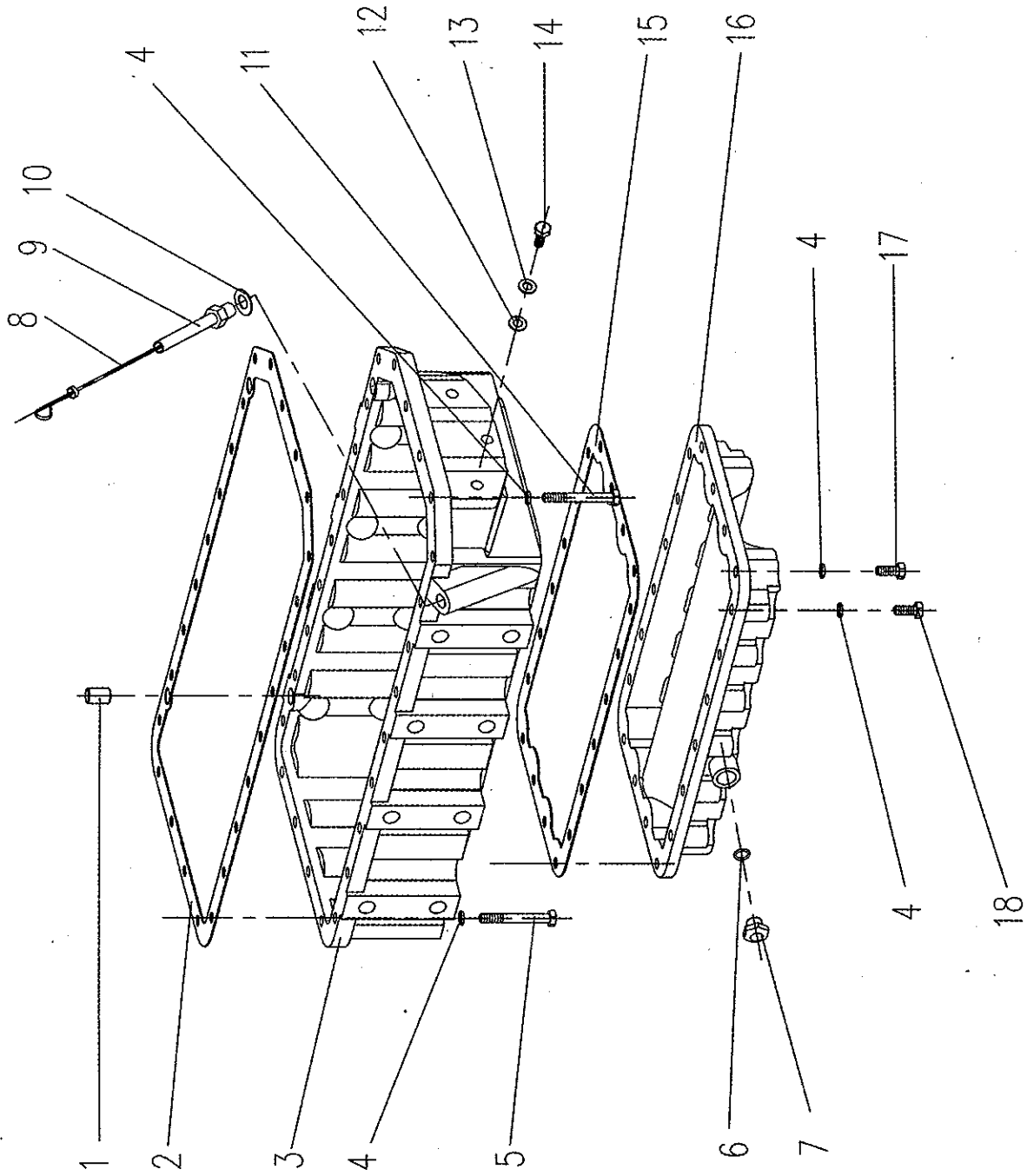
Water Pump and Cooling Assembly



Water Pump and Fan Assembly

MUSA Part Number	Ref.	Description of Part	Unit	Quantity	Remarks/ Service Bulletin No.
GB/15783-2000	1	Bolt M8x60		4	
GB/1859-87	2	Washer 8		15	
N485-08001	3	Cooling fan		1	
N390T-08019	4	Fan pad		1	
GB/16170-2000	5	Nut M10		1	
GB/1859-87	6	Washer, 10		1	
GB/197, 1-2002	7	Washer 10		1	
N850-08011 (1)	8	Washer 8		1	
N485T-08012	9	Nut M8		1	
GB/15783-2000	10	Bracing		1	
GB/197, 1-2002	11	Water temperature sensor model 306		1	
GB/11099, 1-2003	12	Thermostat (Model 155B)		1	
GB/16170-2000	13	Thermostat housing gasket		4	
N851-08018	14	Thermostat housing		1	
N851-08004	15	Water seal ring IF-12		1	
GB/1898-88	16	Water pump impeller		1	
N4850-17008	17	Water pump gasket		1	
N4850-17003	18	Water pump adapter		1	
GB/11152-79	19	Water pump housing		1	
N851-08008	20	Water pump pulley housing		1	
N851-08007	21	Water pump pulley		1	
GB/15783-2000	22	Bolt M8x30		2	
N851-08003	23	Oil cup M8x1		1	
N851-08005	24	Stud M8x50		1	
N851-08009	25	Key 4x36		1	
N851-08010	26	Bolt M8x25		1	
N851-08017	27	Water pump adapter gasket		1	
GB/168-2000	28	Water drain connector		1	
GB/13452, 1-2005	29	Water drain connector gasket		1	
N851-08013	30	Plug		2	
N851-08014	31	Washer 12		1	
N851-08016	32	Washer drain screw		1	
N851-08016	33	Water pump shaft		1	
GB/13541-83	34	Ball bearing 602020		1	
N851-08015	35	Bearing spacing sleeve		1	
GB/15780-2000	36	Circlip 35		2	
GB/1898-88	37	Screw M8x16		3	
N851-08006	38	Seal ring 34.5x3.55		1	
GB/1276-94	39	Bolt M8x20		2	
N851-08002	40	Bolt M8x45		1	
GB/1893, 2-86	41	Stud M8x45		1	
HG4-401-66	42	Fan belt AV15x1060		1	
HG0-9 27-51	43	Clip 27-51		4	
1303011BAH	44	Pipe for big cycle		1	
1301050DAG	45	Radiator		1	
1301012FFF	46	Inlet water pipe		2	
1301014CVA	47	Gasket		2	
GB/197, 2-85 φ 12	48	Washer		2	
GB/193-87 φ 12	49	Washer		2	
GB6170-86 M12	50	Nut		2	
1301021FFF	51	Hood (left)		1	
1301022FFF	52	Hood (right)		1	
1301020BCH	53	Stay bar bracket		1	
GB/15782 M8x55	54	bolt		1	
Q673B10 φ 10	55	Clip		2	
1301050DAG	56	Sub-radiator		1	
9080102BAD	57	Radiator stay bar		1	
GB/16170 M8	58	Nut		2	
GB/193 8	59	Washer		1	
1301012EVA	60	Washer		1	
GB/191 2x16	61	Pin		1	
1301023FFF	62	Hood		1	
GB/197, 1 6	63	Washer		2	
GB/193 6	64	Washer		2	
GB/15783 M6x12-8-8	65	Nut		2	

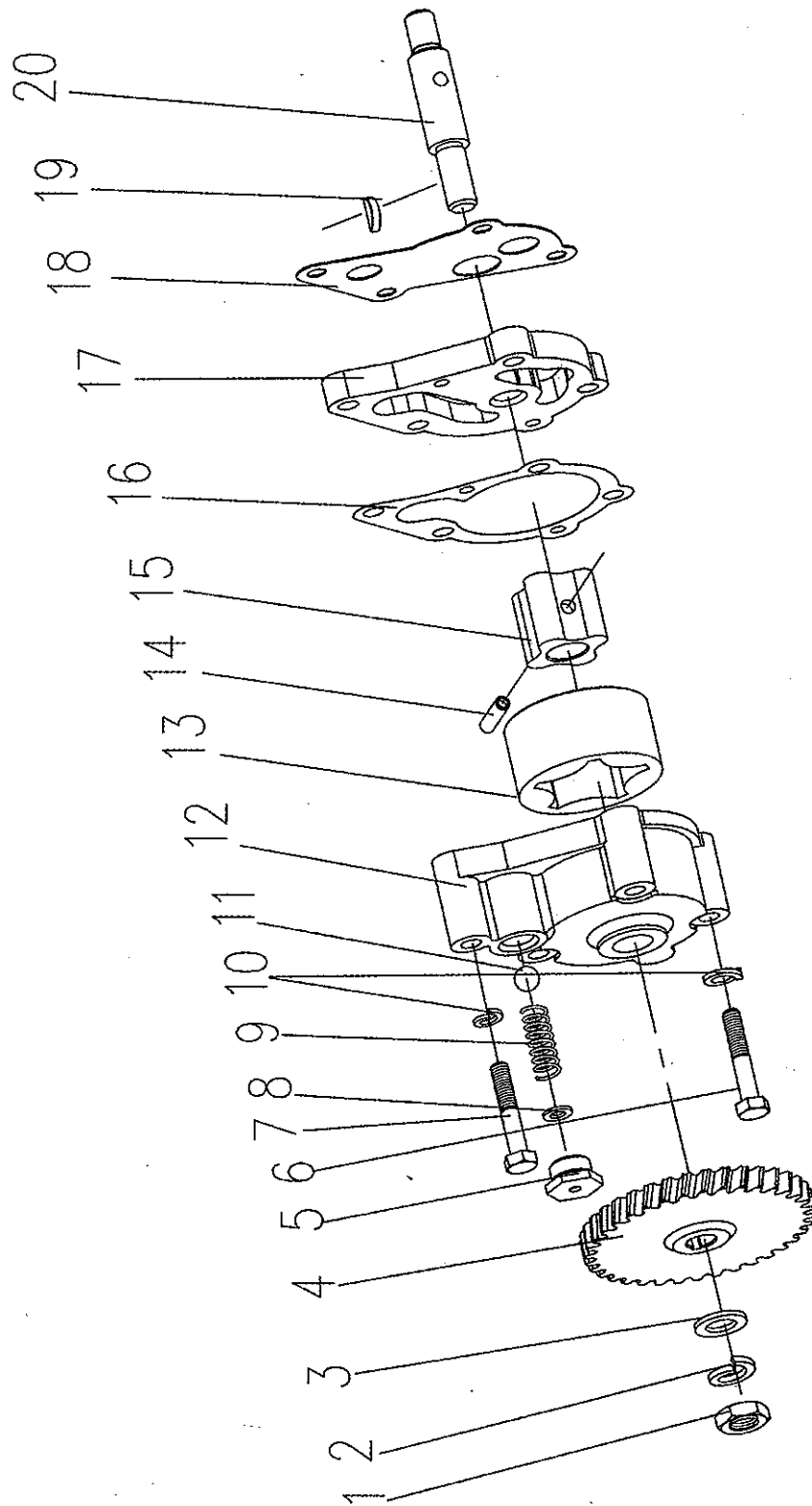
Oil Sump Assembly



Oil Sump Assembly

MUSA Part Number	Ref.	Description of Part	Unit	Remarks/ Service Bulletin No.
			Quantity	
N485T-03110	1	Dowel pin	2	
ZN485T-11001	2	Oil sump gasket	1	
ZN485T-11004	3	Oil sump	1	
GB/T93-87	4	Washer 8	46	
GB/T5782-2000	5	Bolt M8x55	1	
GB/T3452.1-2005	6	Seal ring 11.2x2.65	2	
195-01026	7	Plug	2	
ZN485T-11007	8	Oil dipstick	1	
CZ475Q-032200	9	Oil dipstick pipe body	1	
QJ/MD05.01	10	fit together Washer 12	1	
GB/T5783-2000	11	Bolt M8x30	25	
GB/T93-87	12	Washer 10	3	
GB/T95-2002	13	Washer 10-100HV	3	
GB/T5783-2000	14	Bolt M10x30	3	
ZN485T-11005	15	Auxiliary oil sump gasket	1	
ZN485T-11006	16	Auxiliary oil sump	1	
GB/T5783-2000	17	Bolt M8x45	8	
GB/T5783-2000	18	Bolt M8x25	11	

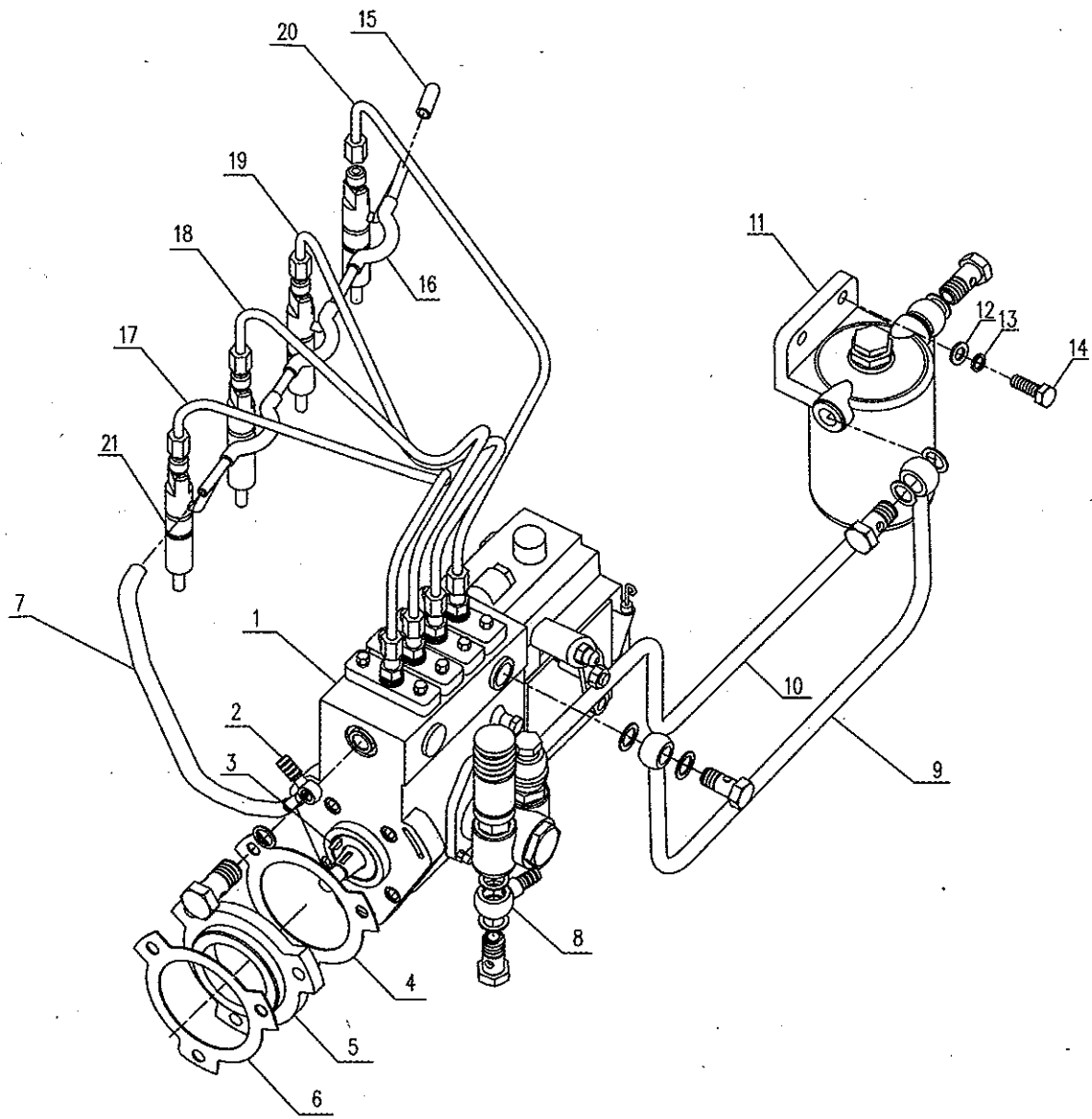
Lubricating Oil Pump Assembly



Lubricating Oil Pump Assembly

MUSA Part Number	Ref.	Description of Part	Unit	Remarks/ Service Bulletin No.
			Quantity	
GB/T6173-2000	1	Nut M10x1	1	
GB/T859-87	2	Washer 10	1	
GB/T859-85	3	Washer 10	1	
4L88-130007	4	Lubricating Oil pump gear	1	
N85-13006	5	Pressure-limiting plug	1	
GB/T5782-2000	6	Bolt M6x50	3	
GB/T5782-2000	7	Bolt M6x55	1	
GB/T97.1-2002	8	Washer 4	1	
N85-13005	9	Pressure-limiting spring	1	
GB/T859-87	10	Washer 6	1	
GB/T308-89	11	Steel ball ϕ 10	1	
N485-13001-A	12	Oil pump body	1	
N485-13004-A	13	Out rotor	1	
N85-13103-A	14	Cylindrical pin	1	
N485-13102-A	15	Inner rotor	1	
N85-13008-A	16	Lubricating oil pump Adjusting shim ϕ 0.08	1	
N485-13002-A	17	Lubricating Oil pump cover	1	
4188-130003	18	Lubricating Oil pump gasket ϕ 0.5	1	
GB/T1099.1-2003	19	Key 3x5x13	1	
N485-13101-A	20	Lubricating Oil pump shaft	1	

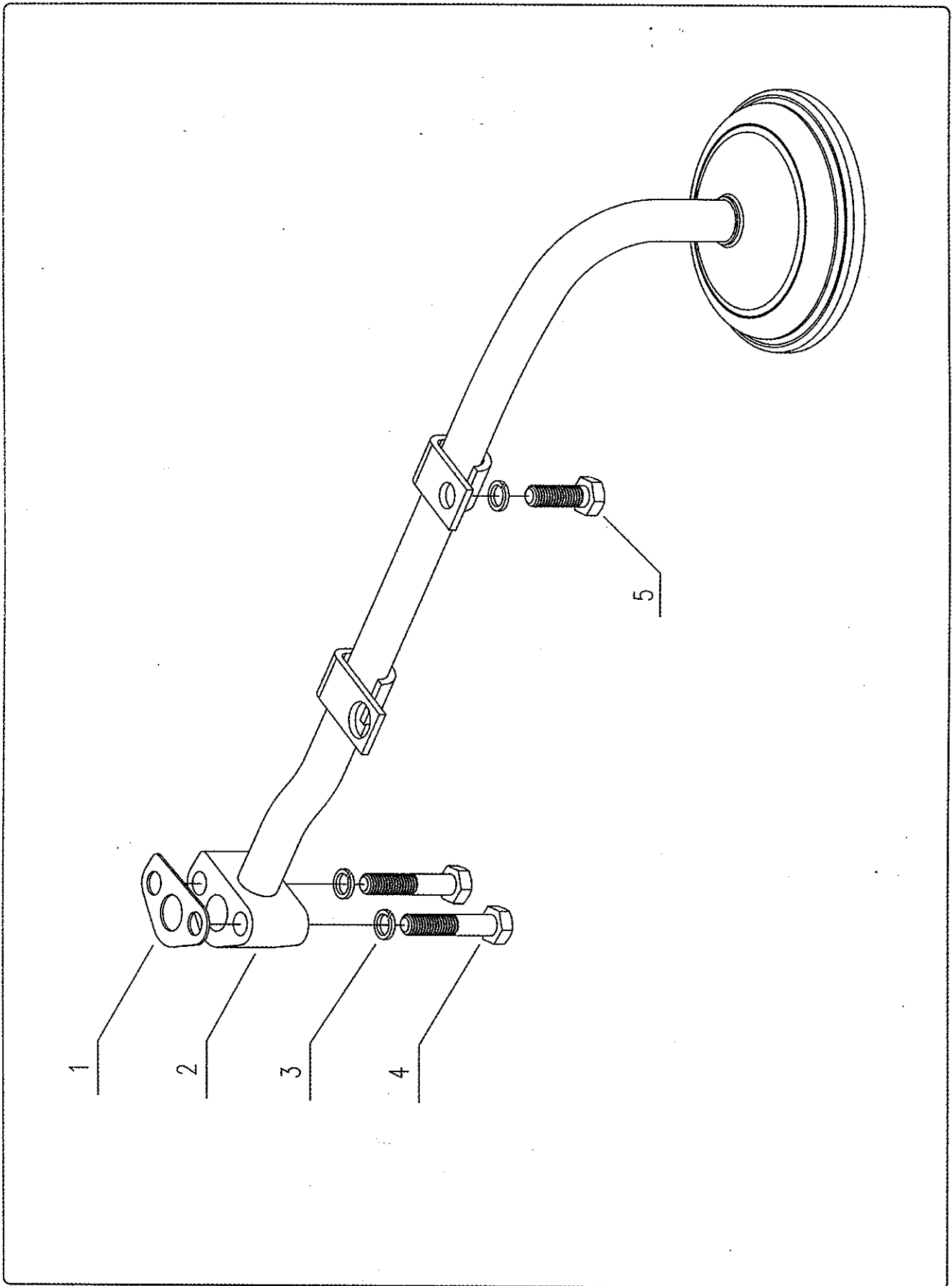
Fuel System



Fuel System

MUSA Part Number	Ref.	Description of Part	Unit	Remarks/ Service Bulletin No.
			Quantity	
4L40-18001	1	Injection pump	1	
4L68-151000-1	2	Injector fuel return pipe part	1	
GB/T1099-79	3	Woodruff 3x16	1	
N85-18002(A)	4	Fuel pump flange gasket	1	
N85-18003(A)	5	Inject pump end cover	1	
N85-18004	6	Injection pump end gasket	3	
4L68-150003	7	Fuel return main pipe	1	
N85-15500(A)	8	Fuel feed pump inlet pipe part	1	
N485-15300	9	Fuel filter outlet pipe	1	
N485-15400	10	Fuel feed pump outlet pipe	1	
N485-28000(B)	11	Fuel filter	1	
GB/T848-85	12	Washer 8	2	
GB/T859-87	13	Washer 8	2	
GB/T5782-2000	14	Bolt M8x25	2	
4L68-150001-3	15	Injector fuel return cover	1	
4L68-150002	16	Fuel return pipe	3	
4B26-141000	17	1st cylinder high pressure fuel pipe	1	
4B26-142000	18	2nd cylinder high pressure fuel pipe	1	
4B26-143000	19	3rd cylinder high pressure fuel pipe	1	
4B26-144000	20	4th cylinder high pressure fuel pipe	1	
4L40-25000	21	Injecto	4	

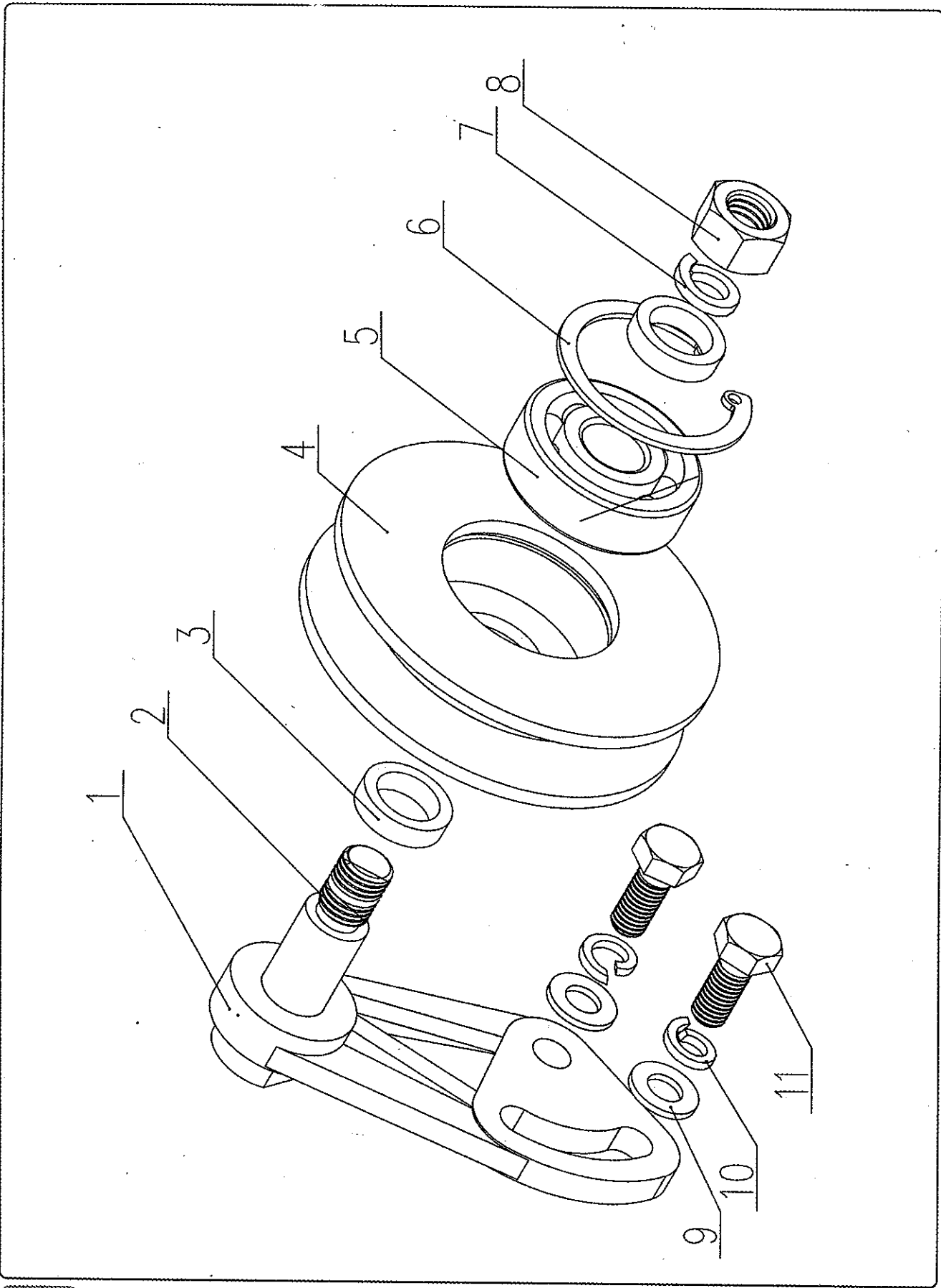
Oil Suction Strainer Assembly



Oil Suction Strainer Assembly

MUSA Part Number	Ref.	Description of Part	Unit	Remarks/ Service Bulletin No.
			Quantity	
4L88-160002	1	Suction strainer Gasket	1	
4L88-160000A	2	Oil suction strainer	1	
GB/T859-87	3	Washer 8	3	
GB/T5782-2000	4	Bolt M8x40	2	
GB/T5782-2000	5	Bolt M8x25	1	

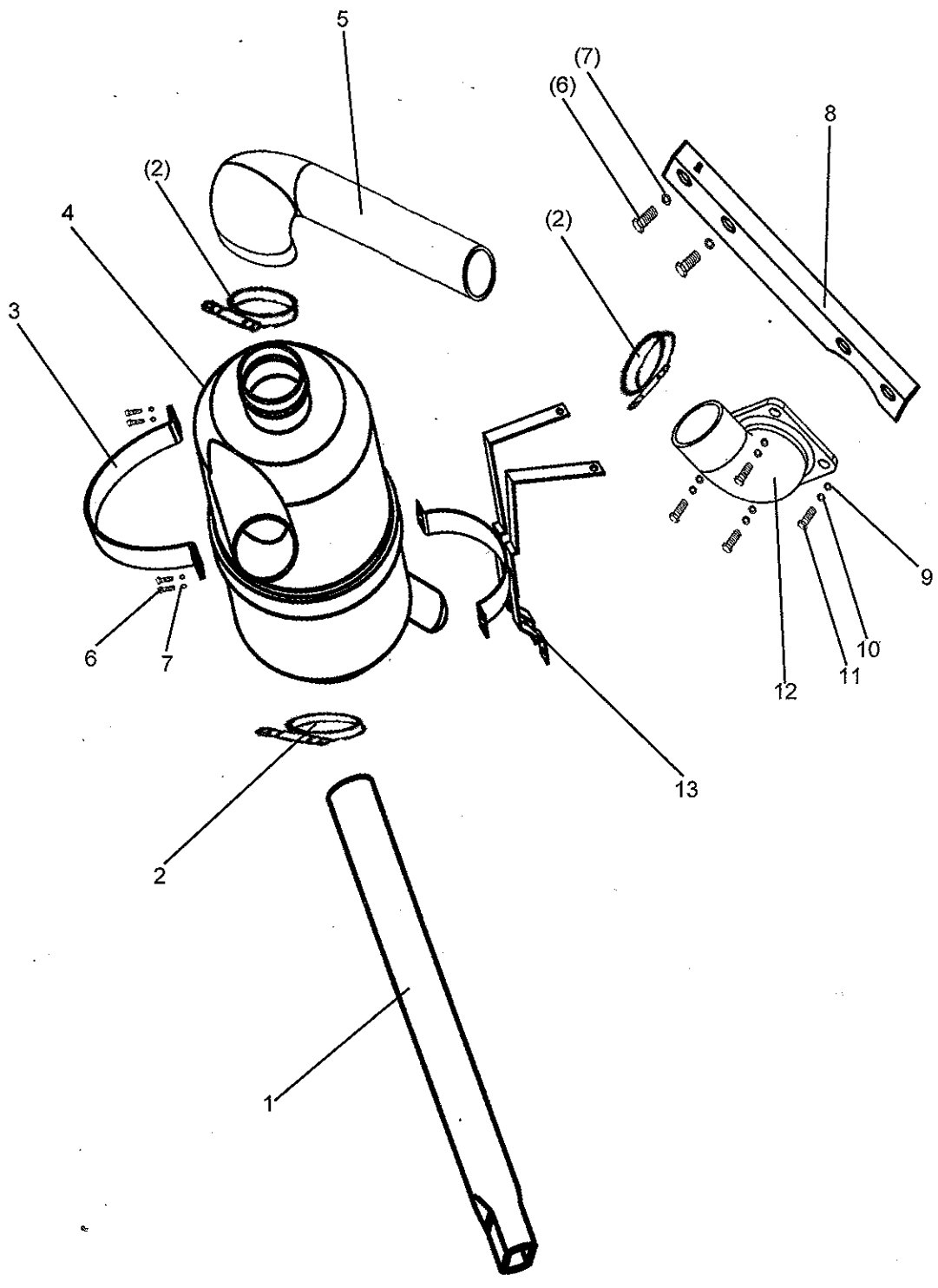
Tension Pulley Assembly



Tension Pulley Assembly

MUSA Part Number	Ref.	Description of Part	Unit	Remarks/ Service Bulletin No.
			Quantity	
N390T-21002	1	Tension pulley bracket	1	
N390T-21004	2	Tension pulley shaft	1	
N390T-21003	3	Bush ring	2	
N390T-21001	4	Tension pulley	1	
GB/T276-94	5	Bearing 6302E-2RS	1	
GB/T893.1-86	6	Thrust ring 42	1	
GB/T93-87	7	Washer 12	2	
GB/T6170-2000	8	Nut M12	1	
GB/T97.1-85	9	Washer 8	2	
GB/T93-87	10	Washer 8	2	
GB/T5783-2000	11	Bolt M8x20	2	

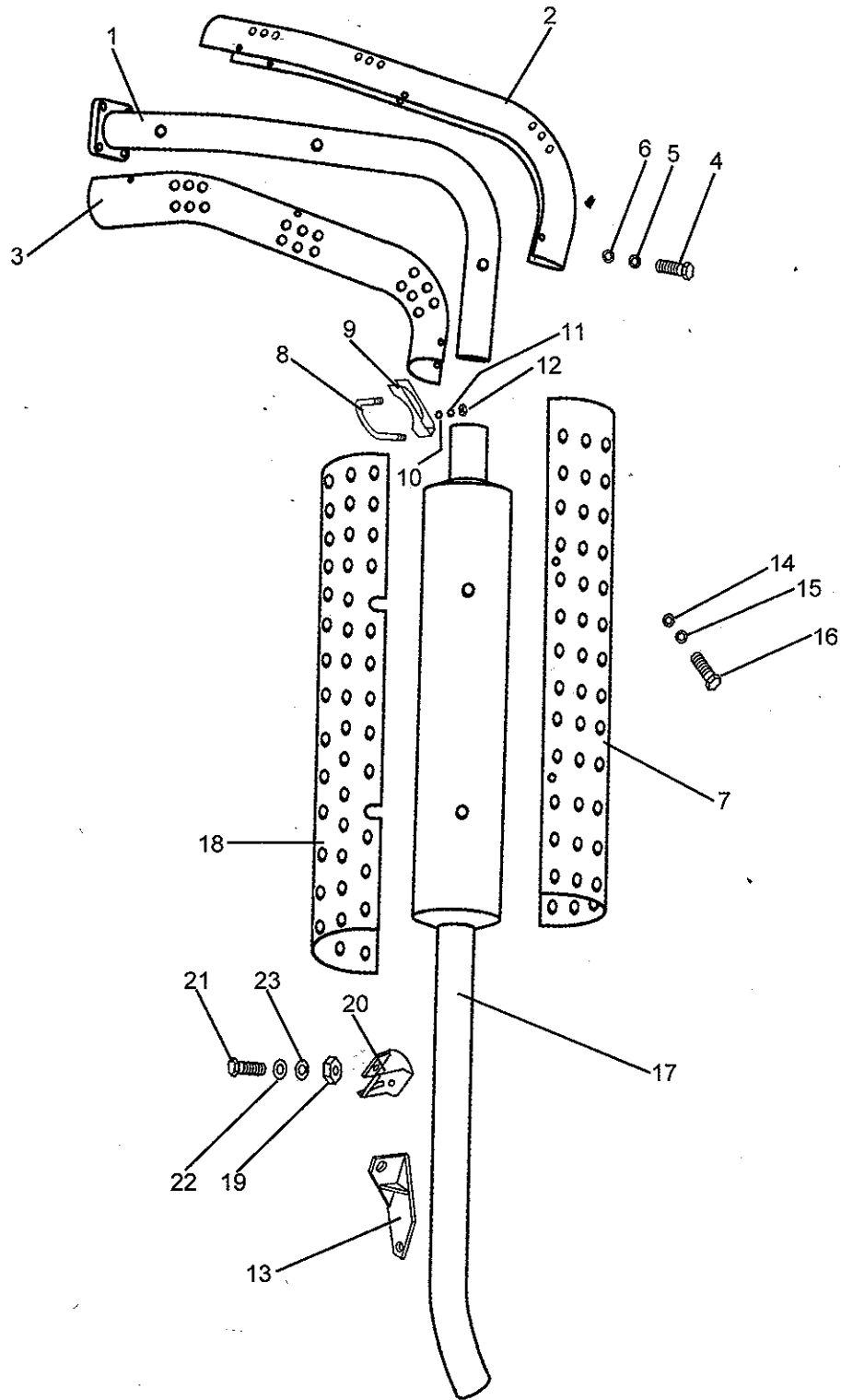
Air Intake Assembly



Air Intake Assembly

MUSA Part Number	Ref.	Description of Part	Unit	Remarks/ Service Bulletin No.
			Quantity	
1109011FFF	1	Air cleaner connection tube	1	
HGO-9 59-82	2	Clip 59-82	3	
1109012FFF	3	Air Cleaner Brace	1	
1109100FFF	4	Air cleaner Assembly	1	
1008105FFF	5	Air cleaner elbowpipe	1	
GB/T5783 M8x25-8.8	6	Bolt	6	
GB/T93 8	7	Washer	6	
1109013FFF	8	Air cleaner bracket connection plank	1	
GB/T97.1-2002	9	Washer	4	
GB/T859-87*8	10	Washer	4	
GB/T5783-2000 M8x20	11	Bolt	4	
N485Q-09003D	12	Connector cur intake	1	
1109050FFF	13	Air cleaner cover Assembly	1	

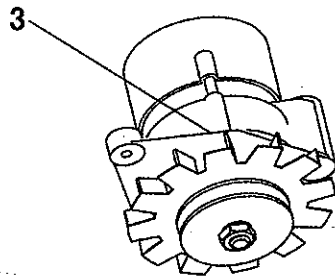
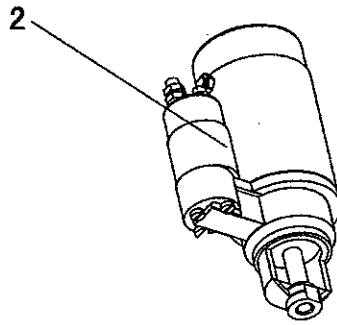
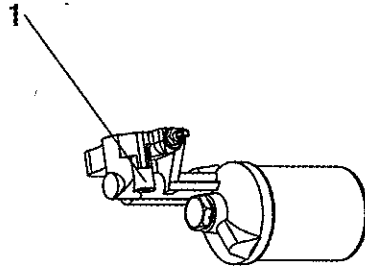
Exhaust Manifold and Silencer



Exhaust Manifold and Silencer

MUSA Part Number	Ref.	Description of Part	Unit	Remarks/ Service Bulletin No.
			Quantity	
1201200FFF	1	Exhaust pipe welding assembly	1	
1203012FFF	2	Pipe hood (right)	1	
1203011FFF	3	Pipe hood (left)	1	
GB/T5783 M6x12-8.8	4	Bolt	6	
GB/T93 6	5	Washer	6	
GB/T97.1 6	6	Washer	6	
1201030FFF	7	Silencer hood (down)	1	
1201012DAG01	8	Clamp	1	
1201011DAG01	9	Clamp Seat	1	
GB/T97.1 6	10	Washer	2	
GB/T93 6	11	Washer	2	
GB/T6170 M6	12	Nut	2	
1201020FFF	13	Welding Bracket	1	
GB/T5783 M8x10-8.8	14	Bolt	4	
GB/T93 8	15	Washer	4	
GB/T97.1 8	16	Washer	4	
1201100FFF	17	Silencer	1	
1201040FFF	18	Silencer hood (up)	1	
GB/T6170 M14	19	Nut	1	
1201013FFF	20	Suspension Bracket	1	
GB/T5783 M14x30	21	Bolt	1	
GB/T97.1 14	22	Washer	1	
GB/T93 14	23	Washer	1	

Oil Filter/Generator/Starting Motor



Oil Filter/Generator/Starting Motor

Remarks/ Service Bulletin No.	Unit Quantity	Description of Part	Ref.	MUSA Part Number
	1	Lubricating oil filter	1	N485Q-26000B
	1	Starting motor	2	N485Q-30000(B)
	1	Charging generator	3	N85Q-29000



Mahindra
马恒达



马恒达【中国】拖拉机有限公司

Mahindra (China) Tractor Co., Ltd.

地址：中国江西南昌市昌北经济技术开发区蛟桥

电话：0086 791 387 1351

传真：0086 791 387 7005

邮编：330044

图册出版号：3540TC0902