

Page Title	Page Number
SECTION DIVIDER	1
ENGINE - UP TO NO B109017	2
ENGINE - FROM NO B109018 UP TO NO C146005	3
ENGINE - FROM NO C146006	4
ENGINE - WITH FAN GUARDS FROM SERIAL C146006	5
CYLINDER BLOCK - UP TO NO C146005	6
CYLINDER BLOCK - FROM NO C146006	7
CYLINDER BLOCK EQUIPMENT - UP TO NO C146005	8
CYLINDER BLOCK EQUIPMENT - FROM NO C146006	9
TIMING GEAR HOUSING - UP TO NO C146005	10
TIMING GEAR HOUSING - FROM NO C146006	11
FLYWHEEL HOUSING	12
CRANKSHAFT, PISTONS AND CONNECTING RODS - UP TO NO C146005	13
CRANKSHAFT, PISTONS AND CONNECTING RODS - FROM NO C146006	14
VALVE MECHANISM AND CAMSHAFT - UP TO NO C146005	15
VALVE MECHANISM AND CAMSHAFT - FROM NO C146006	16
CYLINDER HEAD - UP TO NO C146005	17
CYLINDER HEAD - FROM NO C146006	18
CYLINDER HEAD COVER - UP TO NO C146005	19
CYLINDER HEAD COVER - FROM NO C146006	20
THERMOSTAT - UP TO NO C146005	21
THERMOSTAT - FROM NO C146006	22
LUBRICATING OIL SUMP - UP TO NO C146005	23
LUBRICATING OIL SUMP - FROM NO C146006	24
LUBRICATING OIL PUMP - UP TO NO C146005	25
LUBRICATING OIL PUMP - FROM NO C146006	26
LUBRICATING OIL COOLER AND FILTER - UP TO NO C146005	27
LUBRICATING OIL COOLER AND FILTER - FROM NO C146006	28
WATER PUMP - UP TO NO C146005	29
WATER PUMP - FROM NO C146006	30
INJECTION PUMP - UP TO NO C146005	31
INJECTION PUMP - FROM NO C146006	32
STOP MAGNET	33
FEED PUMP	34
FUEL PIPINGS - UP TO NO C146005	35
FUEL PIPINGS - FROM NO C146006	36
INJECTOR - UP TO NO C146005	37
INJECTOR - FROM NO C146006	38
FUEL FILTER - UP TO NO C146005	39
FUEL FILTER - FROM NO C146006	40
INLET AND EXHAUST MANIFOLD - UP TO NO C146005	41
INLET AND EXHAUST MANIFOLD - FROM NO C146006	42
TURBOCHARGER	43
TURBOCHARGER-PIPES - UP TO NO C146005	44
TURBOCHARGER-PIPES - FROM NO C146006	45
COLD STARTING DEVICE - UP TO NO C146005	46
COLD STARTING DEVICE - FROM NO C146006	47
BELT TENSIONER - FROM SERIAL OR ENGINE NUMBER D090033	48
ENGINE REPAIR KITS-PISTON- CYLINDER HEAD WITH VALVES - UP TO NO C146005	49
ENGINE REPAIR KITS-PISTON- CYLINDER HEAD WITH VALVES - FROM NO C146006	50
ENGINE GASKETS SETS - UP TO NO C146005	51
ENGINE GASKETS SETS - FROM NO C146006	52

TABLE OF CONTENT

ENGINE GASKETS SETS - FROM NO C146006	52
BATTERIES AND CABLES - WITHOUT BATTERY CUT-OFF UP TO C146005	53
BATTERIES AND CABLES - WITHOUT BATTERY CUT-OFF FROM NO C146006	54
BATTERIES AND CABLES - WITH BATTERY CUT-OFF UP TO C146005	55
BATTERIES AND CABLES - WITH BATTERY CUT-OFF FROM C146006	56
ALTERNATOR-VALEO - UP TO NO B109017	57
ALTERNATOR-VALEO - FROM NO B109018	58
STARTER - MAGNETI-MARELLI	59
COOLING SYSTEM-AIR CONDITIONED INSTALLATION - UP TO SERIAL NO C210009	60
COOLING SYSTEM-AIR CONDITIONED INSTALLATION - FROM SERIAL NO C210010	61
COOLING SYSTEM -AIR CONDITIONED-SANKYO COMPRESSER - UP TO SERIAL NO C210009	62
COOLING SYSTEM -AIR CONDITIONED-SANDEN COMPRESSER - FROM SERIAL NO C210010	63
COOLING SYSTEM-ENGINE - UP TO NO C146005	64
COOLING SYSTEM-ENGINE - UP TO NO C146005	65
COOLING SYSTEM-ENGINE - FROM NO C146006	66
COOLING SYSTEM-ENGINE - FROM NO C146006	67
HEATER-ENGINE BLOCK	68
CAB HEATING SYSTEM-ENGINE PART	69
FUEL SYSTEM-FUEL TANK AND ATTACHMENTS	70
FUEL SYSTEM-FUEL TANK AND ATTACHMENTS - ADDITIONAL TANK	71
FUEL SYSTEM-PIPES WITH THERMOSTART - WITHOUT ADDITIONAL TANK - WITHOUT FUEL DEBIT	72
FUEL SYSTEM-PIPES WITH THERMOSTART - WITH ADDITIONAL TANK - WITHOUT FUEL DEBIT	73
FUEL SYSTEM-PIPES WITH THERMOSTART - WITHOUT ADDITIONAL TANK - WITH FUEL DEBIT	74
FUEL SYSTEM-PIPES WITH THERMOSTART - WITH ADDITIONAL TANK - WITH FUEL DEBIT	75
AIR FILTER-WITH THERMOSTART EQUIPMENT - UP TO NO C146005	76
AIR FILTER-WITH THERMOSTART EQUIPMENT - FROM NO C146006	77
AIR FILTER-DRY - DUAL ELEMENT	78
EXHAUST SYSTEM-VERTICAL - UP TO NO C146005	79
EXHAUST SYSTEM-VERTICAL - FROM NO C146006	80
THROTTLE CONTROLS - UP TO NO C146005	81
THROTTLE CONTROLS	82
THROTTLE CONTROLS	83
THROTTLE CONTROLS - FROM NO C146006	84
CHASSIS STRUCTURE - FROM C039023	85
FRONT SPACER - UP TO NO B153019	86
FRONT SPACER - FROM NO B153020	87
CLUTCH	88
CLUTCH - DYNASHIFT	89
CLUTCH	90
CLUTCH PEDAL AND LINKAGE	91
CLUTCH PEDAL AND LINKAGE - WITH WET CLUTCH	92
CLUTCH CONTROL-MASTER CYLINDER	93
CLUTCH PEDAL AND LINKAGE	94
CLUTCH PEDAL AND LINKAGE-DYNASHIFT VERSION	95
WET CLUTCH	96
WET CLUTCH	97
WET CLUTCH	98
WET CLUTCH - VALVE	99
WET CLUTCH - CONTROL UP TO SERIAL C146002	100

TABLE OF CONTENT

WET CLUTCH - CONTROL FROM SERIAL NUMBER C146003 UP TO D170036	101
WET CLUTCH - CONTROL FROM SERIAL NUMBER D170037	102
FRONT WHEELS-2 WHEEL DRIVE - FITTING 8 SCREWS	103
FRONT WHEELS-4 WHEEL DRIVE - FITTING 6 STUDS	104
FRONT WHEELS-4 WHEEL DRIVE - FITTING 6 STUDS	105
FRONT WHEELS-4 WHEEL DRIVE - FITTING 6 STUDS	106
FRONT WHEELS-4 WHEEL DRIVE - FITTING 6 STUDS	107
REAR WHEELS	108
REAR WHEELS - DELACHAUX	109
REAR WHEELS - SIRMAC	110
REAR WHEELS	111
REAR WHEELS	112
REAR WHEELS	113
REAR WHEELS-PAVT - 6 RAILS	114
REAR WHEELS-PAVT - 8 RAILS	115
REAR WHEELS-FIXING BY CONE	116
REAR WHEELS-FIXING BY CONE	117
REAR WHEELS-FIXING BY CONE	118
REAR WHEELS-FIXING BY CONE	119
REAR WHEELS-FIXING BY CONE - WITH 60 INCH TREAD SETTING - ETAT-UNIS	120
WEIGHTS-REAR WHEELS	121
WEIGHTS-REAR WHEELS - FROM NO C340006	122
WHEEL WEIGHTS	123
WHEEL WEDGES - UP TO NO A030023	124
WHEEL WEDGES - UP TO NO A030023	125
WHEEL WEDGES - FROM NO A030024 WITHOUT DYNASHIFT - UP TO NO B249027	126
WHEEL WEDGES - WITH DYNASHIFT UP TO NO B249027	127
WHEEL WEDGES - FROM NO B249028	128
FRONT PTO-HOUSING - CLOCK WISE DRIVE FRONT PTO	129
FRONT PTO-DRIVE - CLOCK WISE DRIVE FRONT PTO	130
INDEPENDANT POWER TAKE OFF CLUTCH - CLOCK WISE DRIVE FRONT PTO	131
FRONT PTO-DRIVE - CLOCK WISE DRIVE FRONT PTO	132
FRONT PTO-DRIVE - CLOCK WISE DRIVE FRONT PTO	133
FRONT PTO-DRIVE	134
FRONT PTO-LINES - CLOCK WISE DRIVE FRONT PTO	135
FRONT PTO-HOUSING - COUNTERCLOCKWISE DRIVE FRONT PTO	136
FRONT PTO-DRIVE - COUNTERCLOCKWISE DRIVE FRONT PTO	137
INDEPENDANT POWER TAKE OFF CLUTCH - COUNTERCLOCKWISE DRIVE FRONT PTO	138
FRONT PTO-DRIVE - COUNTERCLOCKWISE DRIVE FRONT PTO	139
FRONT PTO-DRIVE - COUNTERCLOCKWISE DRIVE FRONT PTO	140
FRONT PTO-LINES - COUNTERCLOCKWISE DRIVE FRONT PTO	141
FRONT PTO-SWITCH	142
FRONT PTO-HARNESS - UP TO NO A335020	143
FRONT PTO-HARNESS - FROM NO A335021 EXCEPT NO A336004	144
16 SPEED MARK 3 TRANSMISSION-HOUSING	145
16 SPEED MARK 3 TRANSMISSION-GAMMA 2 COVER	146
16 SPEED MARK 3 TRANSMISSION-GAMMA 2 REDUCER SHAFT	147
16 SPEED MARK 3 TRANSMISSION-GAMMA 2 CLUTCH AND REDUCER	148
16 SPEED TRANSMISSION MARK 3-INPUT GEARS - GAMMA 2 GEAR TRAIN	149
16 SPEED MARK 3 TRANSMISSION-INPUT SHAFT WITH SYNCHROMESH	150
16 SPEED MARK 3 TRANSMISSION-COUNTERSHAFT	151
16 SPEED MARK 3 TRANSMISSION-MAIN SHAFT	152
16 SPEED MARK 3 TRANSMISSION-OUTPUT SHAFT	153
16 SPEED MARK 3 TRANSMISSION-IPTO SHAFT	154

TABLE OF CONTENT

16 SPEED MARK 3 TRANSMISSION-FRONT COVER CREEPER GEAR	155
16 SPEED MARK 3 TRANSMISSION-REAR COVER CREEPER GEAR	156
16 SPEED MARK 3 TRANSMISSION-CREEPER GEAR	157
16 SPEED MARK 3 TRANSMISSION-LUBRICATION GAMMA 2 FEEDING	158
16 SPEED MARK 3 TRANSMISSION-INTERNAL CONTROL	159
16 SPEED MARK 3 TRANSMISSION-INTERNAL CONTROL	160
16 SPEED MARK 3 TRANSMISSION-SHIFT LEVERS	161
DYNASHIFT	162
DYNASHIFT	163
DYNASHIFT TRANSMISSION-INPUT GEARS	164
DYNASHIFT TRANSMISSION-INPUT SHAFT WITH SYNCHROMESH	165
DYNASHIFT TRANSMISSION-COUNTERSHAFT	166
DYNASHIFT TRANSMISSION-MAIN SHAFT	167
DYNASHIFT TRANSMISSION-OUTPUT SHAFT	168
DYNASHIFT TRANSMISSION-OUTPUT SHAFT - WITH HEAVY DUTY TRANSMISSION	169
DYNASHIFT TRANSMISSION-IPTO SHAFT	170
DYNASHIFT TRANSMISSION-LUBRICATION DYNASHIFT FEEDING	171
DYNASHIFT TRANSMISSION-LUBRICATION DYNASHIFT FEEDING	172
HANDBRAKE-LOWER CONTROL	173
BRAKES-HANDBRAKE	174
REAR AXLE-CENTRE HOUSING	175
REAR AXLE DIFFERENTIAL-WITH HYDROMECHANICAL LOCK	176
REAR AXLE DIFFERENTIAL LOCK MECHANISM-HYDROMECHANICAL	177
INDEPENDANT POWER TAKE OFF CLUTCH	178
INDEPENDANT POWER TAKE OFF DRIVE MECHANISM-TWO SPEED	179
INDEPENDANT POWER TAKE OFF DRIVE MECHANISM-TWO SPEED - SHAFT	180
INDEPENDANT POWER TAKE OFF DRIVE MECHANISM-TWO SPEED - PIPES	181
GUARD-PTO	182
INDEPENDANT POWER TAKE OFF CLUTCH - DRIVING LEVER	183
SHORT REAR AXLE HOUSINGS-OUTER FINAL DRIVE GEAR - WITH COMPOSITE REDUCER	184
ELECTRONIC LIFT-HYDRAULIC LIFT COVER	185
ELECTRONIC LIFT-HYDRAULIC LIFT COVER - UNITED STATES	186
ELECTRONIC LIFT-HYDRAULIC LIFT COVER - WITH LOAD SENSING FROM SERIAL NO C159017	187
HYDRAULIC TRANSPORT SHOCK ABSORBER	188
LINKAGE-LIFT CYLINDERS	189
LINKAGE-LIFT CYLINDERS	190
LINKAGE-LIFT CYLINDERS	191
LINKAGE-TOP CAT 2 AND 3	192
LINKAGE-TOP LINK WITH BALL END	193
LINKAGE-TOP LINK WITH BALL END - WITH TOP LINK CBM - FROM 03/95	194
LINKAGE-TOP LINK WITH HOOK END - HOOK	195
LINKAGE-TOP LINK WITH HOOK END - WITH TOP LINK CBM - FROM 03/95	196
LINKAGE-LOWER CAT 2 AND 3 - LOWER WITH BALL UP TO 11/94	197
LINKAGE-LOWER CAT 2 AND 3 - HITCH BAR WITH TELESCOPIC END CBM FROM D047022	198
LINKAGE-LOWER CAT 2 AND 3 - BOTTOM BAR-WITH AUTOMATIC HOOK	199
LINKAGE-TOGGLES CAT 2 AND 3	200
LINKAGE-SWINGING DRAWBAR	201
LINKAGE-SWINGING DRAWBAR	202
LINKAGE-SWINGING DRAWBAR - WITH SAFETY CHAIN	203
LINKAGE-ROLLER SWINGING DRAWBAR	204
LINKAGE - UP TO SERIAL OR ENGINE NUMBER D150019	205
LINKAGE - FROM SERIAL OR ENGINE NUMBER D150020	206

TABLE OF CONTENT

LINKAGE-TUBE STABILIZERS	207
LINKAGE-SHOE STABILIZERS	208
LINKAGE-DRAWBAR	209
HITCH - BRACKETS AND GUARDS	210
HITCH - CRAMER	211
AUTOMATIC HITCH-WITH REMOTE CONTROL	212
AUTOMATIC HITCH-WITH REMOTE CONTROL	213
AUTOMATIC HITCH-WITH REMOTE CONTROL	214
FRONT LINKAGE - HEAVY DUTY - FRAME	215
FRONT LINKAGE - HEAVY DUTY - LIFTING ARM	216
FRONT LINKAGE - POSITION CONTROL HEAVY DUTY	217
FRONT LINKAGE - HEAVY DUTY - HYDRAULIC	218
FRONT AXLE - 8 HOLES	219
FRONT AXLE	220
FRONT AXLE 2 WHEEL DRIVE-CYLINDERS	221
FRONT AXLE 2 WHEEL DRIVE-CYLINDERS	222
FRONT AXLE 4 WHEEL DRIVE-DIFFERENTIAL LOCK MECHANISM - UP TO NO C144022	223
FRONT AXLE 4 WHEEL DRIVE-DIFFERENTIAL LOCK MECHANISM - FROM NO C144023	224
FRONT AXLE 2 WHEEL DRIVE-AXLE SUPPORT	225
FRONT AXLE 4 WHEEL DRIVE-SUPPORT - UP TO NO C278014	226
FRONT AXLE 4 WHEEL DRIVE-SUPPORT - FROM NO C278015	227
TRANSFER GEAR BOX-4 WHEEL DRIVE	228
TRANSFER GEAR BOX-4 WHEEL DRIVE - WITH HEAVY DUTY TRANSMISSION	229
GUARD AND TRANSMISSION SHAFT - UP TO NO C278014	230
GUARD AND TRANSMISSION SHAFT - FROM NO C278015 UP TO NO D163034	231
GUARD AND TRANSMISSION SHAFT - FROM NO D163035	232
FRONT AXLE 4 WHEEL DRIVE - UP TO NO C278014	233
FRONT AXLE 4 WHEEL DRIVE - FROM NO C278015	234
FRONT AXLE 4 WHEEL DRIVE-STEERING CYLINDERS - UP TO NO C278014	235
FRONT AXLE 4 WHEEL DRIVE-STEERING CYLINDERS - FROM NO C278015	236
FRONT AXLE 4 WHEEL DRIVE-HOUSING - UP TO NO C278014	237
FRONT AXLE 4 WHEEL DRIVE-HOUSING - FROM NO C278015	238
FRONT AXLE 4 WHEEL DRIVE-DIFFERENTIAL - UP TO NO C278014	239
FRONT AXLE 4 WHEEL DRIVE-DIFFERENTIAL - FROM NO C278015 UP TO NO D163034	240
FRONT AXLE 4 WHEEL DRIVE-DIFFERENTIAL - FROM NO D163035	241
FRONT AXLE 4 WHEEL DRIVE-FINAL DRIVE - UP TO NO C278014	242
FRONT AXLE 4 WHEEL DRIVE-FINAL DRIVE - FROM NO C278015	243
FRONT AXLE 4 WHEEL DRIVE-MUDGUARDS AND SUPPORTS	244
STEERING-STEERING WHEEL AND COLUMN - TELESCOPIC STEERING WHEEL	245
STEERING-STEERING WHEEL AND COLUMN - TELESCOPIC STEERING WHEEL - UP TO NO A073021	246
STEERING-STEERING WHEEL AND COLUMN - TELESCOPIC STEERING WHEEL - FROM NO A073022	247
STEERING WHEEL AND COLUMN-DYNASHIFT VERSION - TRACTOR WITH PLATFORM FROM C028030	248
STEERING-STEERING WHEEL AND COLUMN	249
STEERING WHEEL AND COLUMN-DYNASHIFT VERSION - TELESCOPIC STEERING WHEEL	250
STEERING WHEEL AND COLUMN-DYNASHIFT VERSION	251
STEERING-STEERING PUMP - ORBITROL DANFOSS	252
STEERING HYDRAULIC LINES - 2 WHEEL DRIVE	253
STEERING HYDRAULIC LINES - 4 WHEELS DRIVE	254
BRAKES-PEDALS	255

TABLE OF CONTENT

BRAKES-MASTER CYLINDER	256
MANUAL BRAKING HYDRAULICS	257
BRAKES-MASTER CYLINDER	258
BRAKES-MASTER CYLINDER	259
BRAKE PIPES AND MASTER CYLINDER	260
POWER BRAKING CYLINDERS - WITHOUT TRAILER BRAKING	261
POWER BRAKING CYLINDERS	262
POWER BRAKING CYLINDERS	263
MANUAL BRAKING HYDRAULICS	264
HYDRAULICS-HYDRAULIC COVER RH	265
HYDRAULICS-HYDRAULIC COVER RH	266
HYDRAULICS-HYDRAULIC COVER RH - CONTINUED	267
HYDRAULIC PUMP - RIGHT SIDE	268
TRAILER BRAKES-PIPES AND FITTINGS	269
ELECTRONIC LIFT-HYDRAULIC VALVE - MOUNTING WITH 1 PUMP	270
ELECTRONIC LIFT-HYDRAULIC VALVE - MOUNTING WITH 2 PUMP	271
ELECTRONIC LIFT-HYDRAULIC VALVE - MOUNTING WITH 2 PUMP	272
ELECTRONIC LIFT-HYDRAULIC VALVE - MOUNTING WITH 2 PUMP	273
ELECTRONIC LIFT-HYDRAULIC VALVE - DUAL CONTROL	274
DISTRIBUTOR	275
HYDRAULIC LIFT VALVE	276
REAR AXLE CENTRE HOUSING COVER-WITHOUT HYDRAULIC LIFT - MOUNTING WITH 2 PUMP	277
AUXILIARY HYDRAULICS-DISTRIBUTOR INSTALLATION	278
AUXILIARY HYDRAULICS-DISTRIBUTOR INSTALLATION	279
HYDRAULICS-HYDRAULIC COVER LH - MOUNTING WITH 2 PUMP	280
HYDRAULIC PUMP - MOUNTING WITH 2 PUMP	281
HYDRAULICS-HYDRAULIC COVER LH - WITHOUT HYDRAULIC PUMP	282
HYDRAULICS-HYDRAULIC COVER LH - VALVE 180 BARS - SECOND HYDRAULIC PUMP	283
OIL COOLER - UP TO NO C146005	284
OIL COOLER - FROM NO C146006 UP TO 31/07/1995	285
OIL COOLER - FROM SERIAL 31/ 07/1995	286
DISTRIBUTOR	287
DISTRIBUTOR - FOR GERMANY ONLY	288
DISTRIBUTOR - MANUAL NEUTRAL POSITION	289
DISTRIBUTOR - AUTOMATIC NEUTRAL POSITION, - WITH FLOW DIVIDER	290
DISTRIBUTOR - AUTOMATIC NEUTRAL POSITION	291
DISTRIBUTOR - DUAL CONTROL	292
AUXILIARY HYDRAULICS - CONTROL WITH 2 DISTRIBUTOR	293
AUXILIARY HYDRAULICS - CONTROL WITH 2 DISTRIBUTOR, 1 WITH FLOATING POSITION	294
AUXILIARY HYDRAULICS	295
HYDRAULICS LOAD SENSING-HYDRAULIC COVER RH	296
HYDRAULICS LOAD SENSING-HYDRAULIC COVER RH - WITH PTO BRAKES	297
HYDRAULICS LOAD SENSING-HYDRAULIC COVER RH - WITHOUT PTO BRAKES	298
HYDRAULICS LOAD SENSING-HYDRAULIC COVER RH - PIPINGS	299
HYDRAULICS LOAD SENSING-HYDRAULIC COVER RH - PUMP AND DRIVE UP TO D104003	300
HYDRAULICS LOAD SENSING-HYDRAULIC COVER RH - PUMP AND DRIVE FROM D104004	301
HYDRAULICS LOAD SENSING-HYDRAULIC COVER RH	302
HYDRAULICS LOAD SENSING-HYDRAULIC COVER LH - WITH TRAILER BRAKING	303
HYDRAULICS LOAD SENSING-HYDRAULIC COVER LH - WITH TRAILER BRAKING	304
HYDRAULICS LOAD SENSING-HYDRAULIC COVER LH - WITHOUT TRAILER BRAKING	305

TABLE OF CONTENT

AUXILIARY HYDRAULICS-DISTRIBUTOR INSTALLATION - 3 DIST WITH LOAD SENSING EXCEPTED NATO UP TO D2790 01	306
AUXILIARY HYDRAULICS-DISTRIBUTOR INSTALLATION - 3 DIST WITH LOAD SENSING EXCEPTED NATO FROM D27900 2	307
AUXILIARY HYDRAULICS-DISTRIBUTOR INSTALLATION - 3 DISTRIBUTORS WITH LOAD SENSING FOR NATO UP TO D2 79001	308
AUXILIARY HYDRAULICS-DISTRIBUTOR INSTALLATION - 3 DISTRIBUTORS WITH LOAD SENSING FOR NATO FROM D27 9002	309
HYDRAULIC COUPLING - WITH LOAD SENSING EXCEPTED NATO	310
ELECTRONIC LIFT-HYDRAULIC VALVE - 3RD LOAD SENSING DISTRIBUTOR UP TO D279001	311
ELECTRONIC LIFT-HYDRAULIC VALVE - 3RD LOAD SENSING DISTRIBUTOR FROM SERIAL D279002	312
DISTRIBUTOR - WITH LOAD SENSING EXCEPTED NATO	313
DISTRIBUTOR - WITH LOAD SENSING FOR NATO	314
AUXILIARY HYDRAULICS - WITH LOAD SENSING EXCEPTED NATO	315
AUXILIARY HYDRAULICS - WITH LOAD SENSING FOR NATO	316
INSTRUMENT PANEL AND INSTRUMENTS - FROM A174031 (SPEEDSHIFT) OR A107032 (DYNASHIFT)	317
ELECTRIC EQUIPMENT & INSTRUMENT PANEL - ENGINE	318
ELECTRIC EQUIPMENT & INSTRUMENT PANEL - LIGHTING	319
ELECTRIC EQUIPMENT & INSTRUMENT PANEL - LIGHTING FOR GERMANY AUSTRIA	320
ELECTRIC EQUIPMENT & INSTRUMENT PANEL - LIGHTING	321
INSTRUMENT PANEL AND INSTRUMENTS - UP TO A174030 (SPEEDSHIFT) OR A107031 (DYNASHIFT)	322
INSTRUMENT PANEL AND INSTRUMENTS - FROM A174031 (SPEEDSHIFT) OR A107032 (DYNASHIFT)	323
INSTRUMENT PANEL AND INSTRUMENTS-DYNASHIFT	324
TRACTOR CAB-ELECTRICAL WIRING - UP TO NO C146005	325
TRACTOR CAB-ELECTRICAL WIRING - FROM NO C146006	326
TRACTOR CAB-ELECTRICAL WIRING - UP TO A174030 (SPEEDSHIFT) OR A107031 (DYNASHIFT)	327
TRACTOR CAB-ELECTRICAL WIRING - FROM A174031 (SPEEDSHIFT) OR A107032 (DYNASHIFT)	328
TRACTOR CAB-ELECTRICAL WIRING	329
TRACTOR CAB-ELECTRICAL WIRING	330
TRACTOR CAB-ELECTRICAL WIRING - INSTRUMENT PANEL WITHOUT ETHER STARTING	331
TRACTOR CAB-ELECTRICAL WIRING - INSTRUMENT PANEL LIGHTING	332
TRACTOR CAB-ELECTRICAL WIRING - INSTRUMENT PANEL LIGHTING - PLATFORM WITHOUT PILLAR	333
TRACTOR CAB-ELECTRICAL WIRING - INSTRUMENT PANEL LIGHTING GERMANY	334
TRACTOR CAB-ELECTRICAL WIRING - INSTRUMENT PANEL LIGHTING AUSTRIA	335
TRACTOR CAB-ELECTRICAL WIRING - INSTRUMENT PANEL LIGHTING USA	336
TRACTOR CAB-ELECTRICAL WIRING	337
TRACTOR CAB-ELECTRICAL WIRING	338
ELECTRONIC LIFT-MAIN HARNESS	339
ELECTRONIC LIFT-CONSOLE	340
ELECTRONIC LIFT-CONSOLE - DUAL CONTROL UP TO B253025	341
ELECTRONIC LIFT-CONSOLE - DUAL CONTROL FROM B253026	342
ELECTRONIC LIFT-CONSOLE - DUAL CONTROL FROM B253026	343
ABOARD COMPUTER	344
ABOARD COMPUTER-TRANSFERS - WITH TPM WITH FLOW FUEL	345
ABOARD COMPUTER-WIRING	346
ABOARD COMPUTER - FOR GERMANY ONLY FROM B112002 - WITH PTO-DISMOUNTABLE DRIVE MECHANISM	347
RADAR	348
ELECTRONIC EQUIPEMENT-CONTROL BOX - UP TO B165012 (SPEEDSHIFT) OR B125021 (DYNASHIFT)	349

TABLE OF CONTENT

ELECTRONIC EQUIPEMENT-CONTROL BOX - FROM B165013 (SPEEDSHIFT) OR B125022 (DYNASHIFT)	350
ELECTRONIC EQUIPMENT-SENSORS	351
ELECTICAL CONTROLS-SWITCHES	352
TRACTOR CAB-ELECTRICAL WIRING - UP TO A174030 (SPEEDSHIFT) OR A107031 (DYNASHIFT)	353
TRACTOR CAB-ELECTRICAL WIRING - FROM A174031 UP TO B165012 (SPEEDSHIFT)	354
TRACTOR CAB-ELECTRICAL WIRING - FROM NO A107032 (DYNASHIFT) UP TO B125021	355
TRACTOR CAB-ELECTRICAL WIRING - FROM B165013 (SPEEDSHIFT) OR B125022 (DYNASHIFT)	356
TRACTOR CAB-ELECTRICAL WIRING - WITH SUPER CREEPER GEAR FROM B165013	357
ELECTROVANES HARNESS - UP TO A174030 (SPEEDSHIFT) OR A107031 (DYNASHIFT)	358
ELECTROVANES HARNESS - FROM A174031 (SPEEDSHIFT) OR A107032 (DYNASHIFT) UP TO A335020	359
ELECTROVANES HARNESS - FROM A335021 EXCEPT A336004 UP TO B165012 (SPEEDSHIFT) OR B125021 (DYNASHIFT)	360
ELECTROVANES HARNESS - FROM B165013 WITH SPEEDSHIFT	361
ELECTROVANES HARNESS - FROM NO B125022 WITH DYNASHIFT	362
DYNASHIFT-ELECTRICAL WIRING - WITH TEMPERATURE SENSOR FROM NO A309027 UP TO B125021	363
DYNASHIFT-ELECTRICAL WIRING - FROM B125022 (DYNASHIFT)	364
DYNASHIFT-ELECTRICAL WIRING - UP TO NO A295034	365
DYNASHIFT-ELECTRICAL WIRING - WITH TEMPERATURE SENSOR FROM NO A295035 - UP TO NO A309026	366
SENSORS HARNESS - UP TO B165012 (SPEEDSHIFT) OR B125021 (DYNASHIFT)	367
SENSORS HARNESS - FROM B165013 (SPEEDSHIFT) OR B125022 (DYNASHIFT)	368
WEIGHT FRAME AND TOW PIN	369
BELLY WEIGHT	370
TOOL BOX	371
SHEET METAL-GRILLE	372
SHEET METAL-HOOD	373
SHEET METAL-HOOD - BRACKETS AND ASSEMBLING PARTS UP TO SERIAL C146005	374
SHEET METAL-HOOD - BRACKETS AND ASSEMBLING PARTS FROM NO C146006	375
TRACTOR CAB-CAB MOUNTINGS AND STEP / STAIRS - CAB / PLATEFORME BRACKETS	376
DECALS-SPEED CHARTS	377
DECALS-SPEED CHARTS - DYNASHIFT	378
EMBLEMS	379
DECALS	380
DECALS	381
DECALS-SAFETY	382
TRACTOR CAB-FRAME	383
TRACTOR CAB-FRAME - FORESTRY CAB	384
TRACTOR CAB-FENDERS - FENDER EXTENSION MAUSER	385
FENDER EXTENSION	386
TRACTOR CAB-FRONT SIDE - TUNNEL	387
TRACTOR CAB-FLOOR PANELS	388
TRACTOR CAB-FLOOR PANELS - FORESTRY CAB	389
TRACTOR CAB-FENDER MOULDINGS	390
TRACTOR CAB-ROOF	391
TRACTOR CAB-HEATING HATCHWAY	392
TRACTOR CAB-AIR HATCHWAY	393
TRACTOR CAB-DOORS	394

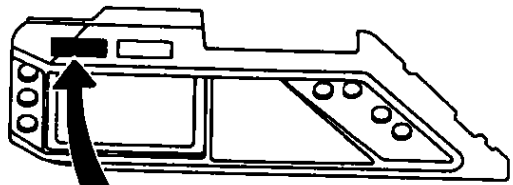
TABLE OF CONTENT

TRACTOR CAB-DOORS - LOCK	395
TRACTOR CAB-WINDOWS	396
TRACTOR CAB-WINDOWS	397
TRACTOR CAB-WINDOWS	398
TRACTOR CAB-WINDOWS - REAR WINDOW MECHANISM UP TO SERIAL NO C136021	399
TRACTOR CAB-WINDOWS - REAR WINDOW MECHANISM FROM SERIAL NUMBER C136022	400
PLATFORM WITH PILLARS	401
PLATFORM WITH PILLARS	402
PLATFORM-FRONT SIDE - TUNNEL	403
PLATFORM WITH PILLARS-ROOF	404
FENDERS AND PLATFORM	405
PLATFORM WITH PILLARS - MIRROR	406
PLATFORM WITHOUT PILLARS	407
TRACTOR CAB-CLADDING - INSTRUMENT PANEL	408
PLATFORM-INSTRUMENT PANEL CLADDING	409
TRACTOR CAB-CLADDING - LOWER COMPONENT	410
TRACTOR CAB-CLADDING - BRACKETS AND ASSEMBLING PARTS	411
PLATFORM-CLADDING	412
TRACTOR CAB-CAB INSULATION	413
TRACTOR CAB-FLOOR PANELS	414
TRACTOR CAB-CAB INSULATION	415
TRACTOR CAB-CLADDING - FORESTRY CAB	416
TRACTOR CAB-CAB INSULATION - UPPER COMPONENTS	417
TRACTOR CAB-CLADDING - DOOR	418
TRACTOR CAB-ROOF EQUIPMENT	419
TRACTOR CAB-CLADDING - ROOF	420
AIR CONDITIONER - UP TO SERIAL NO C210009	421
AIR CONDITIONER	422
AIR CONDITIONER - FROM SERIAL NO C210010	423
AIR CONDITIONER - FROM SERIAL NO C210010	424
AIR CONDITIONER-HOSE - UP TO SERIAL NO C210009	425
AIR CONDITIONER-HOSE - FROM SERIAL NO C210010	426
TRACTOR CAB-HEATER HOSES	427
TRACTOR CAB-HEATER	428
TRACTOR CAB-HEATER	429
TRACTOR CAB-HEATER - HEATER OPERATING	430
TRACTOR CAB-HEATER	431
TRACTOR CAB-HEATER	432
TRACTOR CAB-WINDSCREEN WASHER	433
TRACTOR CAB-WINDSCREEN WIPER	434
TRACTOR CAB-REAR WINDOW WIPER	435
TRACTOR CAB-SUN SHIELD	436
TRACTOR CAB-RADIO INSTALLATION - BLAUPUNKT TYPE	437
TRACTOR CAB-RADIO INSTALLATION	438
TRACTOR CAB - DIGITAL WATCH	439
CIGAR LIGHTER AND ASHTRAY	440
TRACTOR CAB-EXTERNAL MIRRORS	441
TRACTOR CAB-EXTERNAL MIRRORS - UP TO SERIAL NUMBER B202000	442
TRACTOR CAB-EXTERNAL MIRRORS	443
TRACTOR CAB-INTERNAL MIRRORS	444
SEAT-GRAMMER	445
SEAT-GRAMMER - AIR PRESSURE RIGID	446
SEAT-GRAMMER - TURNING AIR PRESSURE	447

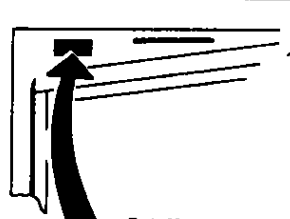
TABLE OF CONTENT

SEAT-GRAMMER	448
SEAT-GRAMMER - PNEUMATIC SEAT RIGID.UPPER COMPONENTS	449
SEAT-GRAMMER - PNEUMATIC SEAT RIGID.SUSPENSION	450
SEAT-GRAMMER - TURNING AIR PRESSURE.UPPER COMPONENTS	451
SEAT-GRAMMER - TURNING AIR PRESSURE.SUSPENSION	452
SEAT-GRAMMER - FORESTRY CAB	453
SEAT-GRAMMER - FORESTRY CAB	454
SEAT BELT	455
SECONDARY SEAT	456
SECONDARY SEAT	457
SEAT-GRAMMER - PLATFORM	458
TRACTOR CAB-CAB LIGHTING	459
LIGHTING EQUIPMENT-FRONT	460
LIGHTING EQUIPMENT-REAR	461
LIGHTING EQUIPMENT-REAR - PLATFORM WITHOUT PILLAR	462
FIELD LIGHTS	463
FIELD LIGHTS	464
FIELD LIGHTS - PLATFORM WITHOUT PILLAR	465
LIGHTING KITS - UP TO NO S332011	466
LIGHTING KITS - FROM NO S332012	467
TRACTOR CAB-LIGHTING EQUIPMENT	468
TRACTOR CAB-LIGHTING EQUIPMENT - FORESTRY CAB	469
LIGHTING EQUIPMENT - LAMP AND LIGHTS - PLATFORM WITHOUT PILLARS	470
TRACTOR CAB-ELECTRICAL WIRING	471
TRACTOR CAB-ELECTRICAL WIRING - AUSTRIA	472
PLATFORM WITH PILLARS-ELECTRICAL WIRING	473
ENGINE OVERHAUL KITS - UP TO NO C146005	474
FRONT SPACER - UP TO NO B153019	475
GEAR BOX	476
GEAR BOX	477
GEAR BOX	478
GEAR BOX	479
GEAR BOX	480
GEAR BOX	481
GEAR BOX	482
16 SPEED MARK 3 TRANSMISSION-GAMMA 2 CLUTCH AND REDUCER	483
TRANSMISSION-SPEEDSHIFT	484
GEAR BOX	485
DYNASHIFT	486
DYNASHIFT	487
TRANSMISSION-DYNASHIFT	488
TRANSMISSION-DYNASHIFT	489
TRANSMISSION-DYNASHIFT - REPAIR KIT 3714602M11 (CONTINUED)	490
TRANSMISSION-DYNASHIFT - REPAIR KIT 3714602M11 (CONTINUED)	491
TRANSMISSION-DYNASHIFT - REPAIR KIT 3714602M11 (CONTINUED)	492
TRANSFER GEAR BOX-4 WHEEL DRIVE - 6 DISCS	493
SHORT REAR AXLE HOUSINGS-OUTER FINAL DRIVE GEAR - WITH COMPOSITE REDUCER 95 MM WHEEL DRIVE	494
REAR AXLE DIFFERENTIAL-WITH HYDROMECHANICAL LOCK	495
BOLTS	496
BOLTS - CONTINUED	497
NUTS	498
WASHERS	499
CIRCLIPS	500
WASHERS	501

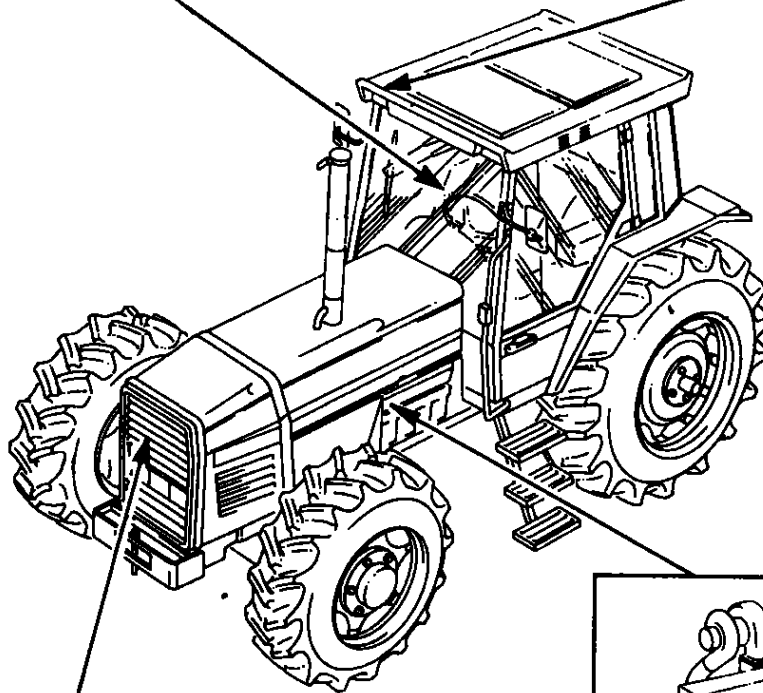
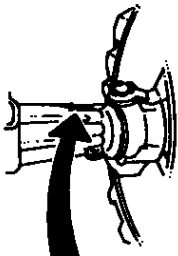
1-0001-004



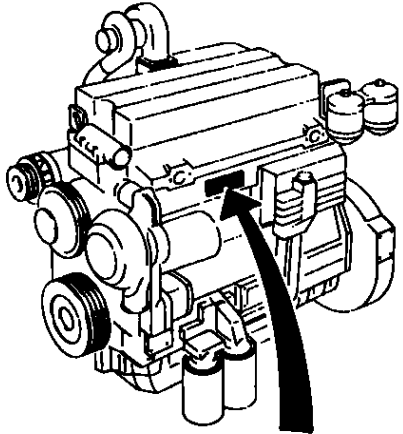
Tractor Serial Number
Numero de Serie Tracteur
Schlepper Serien Nummer
Trattrici Numero
Tractor Numero



Cab Number
Numero de Cabine
Cabine Nummer
Cabina Numero
Cabina Numero

Front Axle N° (4 WD)
N° Pont avant (4 RM)
Vorderachse Nr (4 WD)
Assale anteriore N° (4 RM)
Eje delantero N° (4 RM)

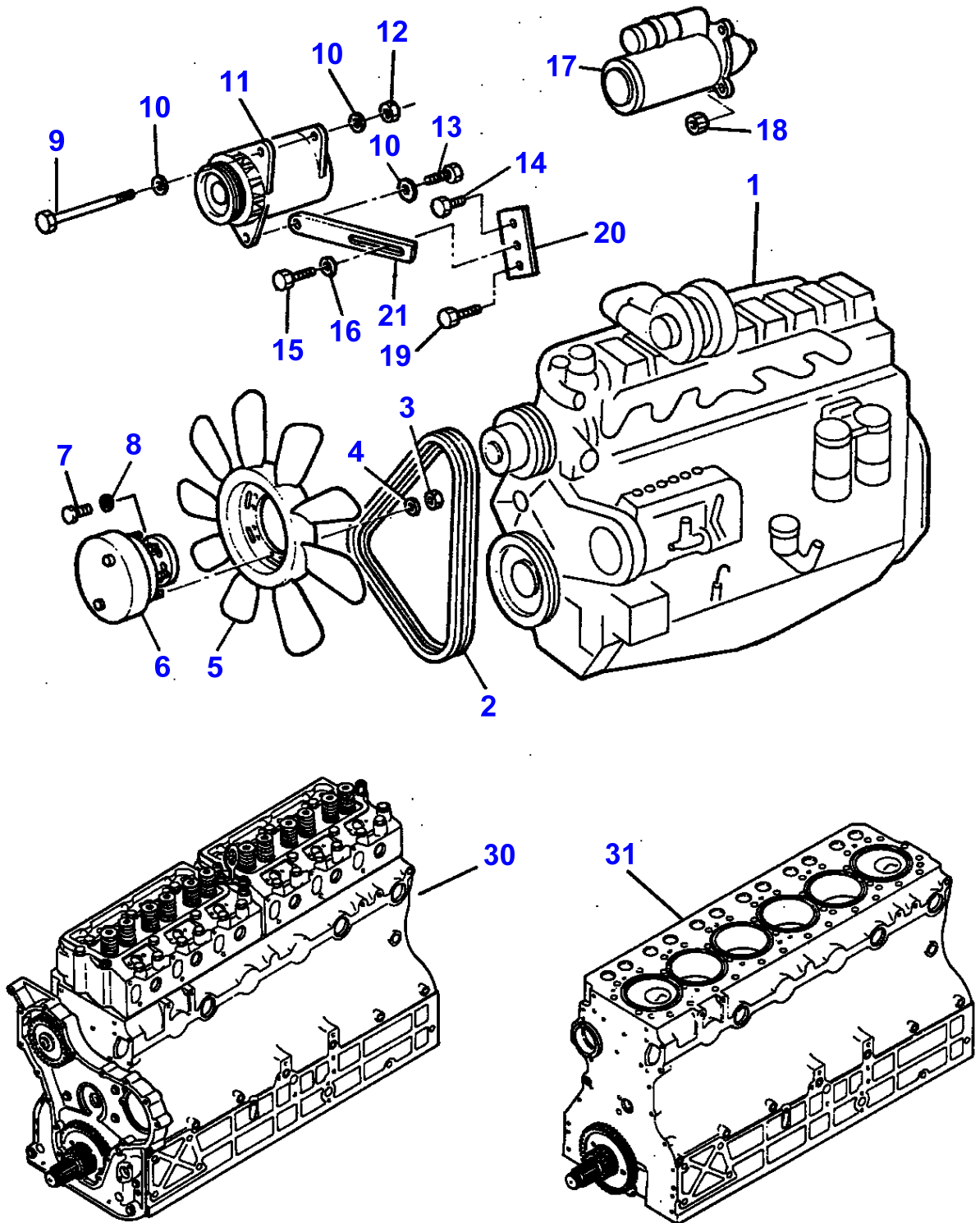


Engine Number
Numero de Moteur
Motor Nummer
Numero Motore
Numero Motor

SECTION DIVIDER

Description	Comments
.	For UK only or any text in English only SERIAL NUMBERS
.	For France only or any text in French only NUMEROS DE SERIES
.	For Germany only or any text in German only SERIEN NUMMER
.	For Italy only or any text in Italian only MATR.O NUMERO
.	E NUMERO SERIE
.	

1-AA01-029



**MASSEY FERGUSON
MF 3690 TRACTOR - 1637223**

1637223

ENGINE - UP TO NO B109017

2

Item	Part Number	Qty	Description	Comments
				UP TO NO B109017
1	3616916M1	1	Engine	
2	3617184M91	1	Kit, Belt	
3	339169X1	7	Nut Metric	Diameter M8
4	339374X1	6	Lock Washer	
5	3581601M1	1	Fan	
6	3389532M2	1	Clutch	
7	3009492X1	6	Screw Metric	M10X25
8	339376X1	6	Lock Washer	
9	391245X1	1	Bolt Metric	M8X130
	339234X1	1	Bolt Metric	Diameter M10
10	390972X1	3	Washer Metric	Diameter 8MM
11	3615942M1	1	Alternator	[D] See Page - Reference Number 57/
12	1441461X1	1	Nut Metric	Diameter 8MM
13	339123X1	1	Screw Metric	M8X20
14	339337X1	1	Screw Metric	M8X30
15	339401X1	1	Screw Metric	M10X25
16	390734X1	1	Washer Metric	
17	3581576M2	1	Startermotor	MAGNE.MARELLI See Page - Reference Number 59/
18	3009693X1	3	Nut Metric	
19	339168X1	1	Bolt Metric	M8X50
20	3615944M1	1	Support	
21	3615943M2	1	Tensioner	
30	V836340050	1	Short Engine	(1)
	3638613M91	1	Short Engine	[A]
	V836147279	1	Housing	[A]
	V836112390	1	Gasket	[A]
	V529801440	2	Screw	[A]
	V528801400	8	Screw	[A]
	V598359850	2	Bush	[A]
	V640016016	1	Plug	[A]
	V836322170	1	Camshaft	[A]
	V836336899	1	Pinion	[A]
	V603305760	1	Key	[A]
	V640025010	2	Plug	[A]
	V836014264	12	Tappet	[A]
	V836331004	2	Cylinder Head	[A]
	3637639M1	2	Head Gasket	[A]
	V835329931	34	Screw	[A]
	V835329932	2	Screw	[A]
	V835329936	4	Stud	[A]
	V835329930	3	Nut	[A]
	V640325110	2	Plug	[A]
	V615571014	2	Seal	[A]
	V836322245	1	Bracket	[A]
	V835329937	1	Nut	[A]
	V836329745	1	Washer	[A]
31	3638613M91	1	Short Engine	[A] (30)
	3638614M1	1	Cylinder Block	[B]
	3637621M1	6	Liner	[B]
	3637622M1	6	O Ring	[B]
	3637623M1	12	O Ring	[B]
	V836338601	6	Valve	[B]
	V836338602	6	Pipe	[B]
	V836014334	1	Pipe	[B]
	V640016016	3	Plug	[B]
	V640025010	1	Plug	[B]
	3638616M1	1	Crankshaft	[B]
	3637630M91	7	Bearing	[B]
	3637636M1	2	Thrust Washer	[B]
	V603345110	1	Key	[B]
	V836119550	1	Pinion	[B]
	V836122840	1	Pinion	[B]
	3638615M1	6	Piston	[B]
	3638617M1	6	Conrod	[B]
	3637626M91	6	Bearing	[B]
	V640325110	8	Plug	[B]

MASSEY FERGUSON
MF 3690 TRACTOR - 1637223

1637223

ENGINE - UP TO NO B109017

2

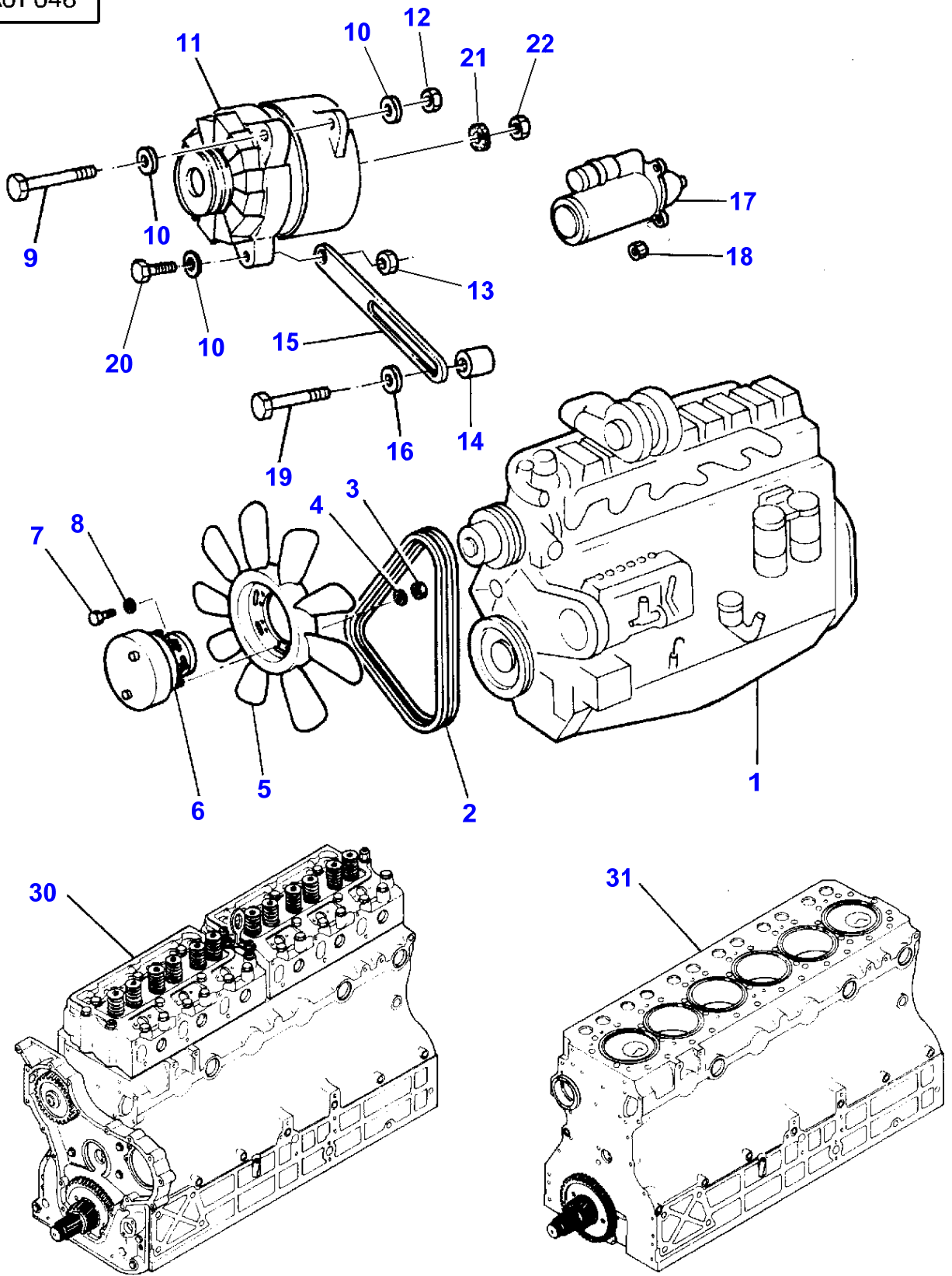
Item	Part Number	Qty	Description	Comments
31	V640325014	1	Plug	[B]
31	V640325018	1	Plug	[B]
31	V615571014	10	Seal	[B]
31	V615881420	1	Gasket	[B]
31	V615881822	1	Seal	[B]

[A]
BELONGS TO ASSEMBLY V836340050

[B]
BELONGS TO ASSEMBLY V836340049

[D]
UP TO SERIAL NUMBER 04/1993 ORDER 3619491M00

1-AA01-046



Item	Part Number	Qty	Description	Comments
				FROM NO B109018 UP TO NO C146005
1	3616916M1	1	Engine	
2	3617184M91	1	Kit, Belt	
3	339169X1	2	Nut Metric	Diameter M8
	394367X1	4	Locknut	
4	339374X1	2	Lock Washer	
	390972X1	4	Washer Metric	
5	3581601M1	1	Fan	
6	3389532M2	1	Clutch	
7	3009492X1	6	Screw Metric	M10X25
8	339376X1	6	Lock Washer	
9	339557X1	1	Screw	M8X120
10	390972X1	3	Washer Metric	Diameter 8MM
11	3618908M1	1	Alternator	See Page - Reference Number 58/
12	1441461X1	1	Nut Metric	Diameter 8MM
13	339169X1	1	Nut Metric	
14	3052946M1	1	Spacer	
15	3618909M1	1	Tensioner	
16	385361X1	1	Washer Metric	
17	3581576M2	1	Startermotor	MAGNE.MARELLI See Page - Reference Number 59/
18	3009693X1	3	Nut Metric	
19	339159X1	1	Bolt Metric	M8X65
20	339337X1	1	Screw Metric	M8X30
21	339375X1	1	Lock Washer	
22	339030X1	1	Nut Metric	
30	V836340050	1	Short Engine	(1)
	3638613M91	1	Short Engine	[A]
	V836147279	1	Housing	[A]
	V836112390	1	Gasket	[A]
	V529801440	2	Screw	[A]
	V528801400	8	Screw	[A]
	V598359850	2	Bush	[A]
	V640016016	1	Plug	[A]
	V836322170	1	Camshaft	[A]
	V836336899	1	Pinion	[A]
	V603305760	1	Key	[A]
	V640025010	2	Plug	[A]
	V836014264	12	Tappet	[A]
	V836331004	2	Cylinder Head	[A]
	3637639M1	2	Head Gasket	[A]
	V835329931	34	Screw	[A]
	V835329932	2	Screw	[A]
	V835329936	4	Stud	[A]
	V835329930	3	Nut	[A]
	V640325110	2	Plug	[A]
	V615571014	2	Seal	[A]
	V836322245	1	Bracket	[A]
	V835329937	1	Nut	[A]
	V836329745	1	Washer	[A]
31	3638613M91	1	Short Engine	[A] (30)
	3638614M1	1	Cylinder Block	[B]
	3637621M1	6	Liner	[B]
	3637622M1	6	O Ring	[B]
	3637623M1	12	O Ring	[B]
	V836338601	6	Valve	[B]
	V836338602	6	Pipe	[B]
	V836014334	1	Pipe	[B]
	V640016016	3	Plug	[B]
	V640025010	1	Plug	[B]
	3638616M1	1	Crankshaft	[B]
	3637630M91	7	Bearing	[B]
	3637636M1	2	Thrust Washer	[B]
	V603345110	1	Key	[B]
	V836119550	1	Pinion	[B]
	V836122840	1	Pinion	[B]
	3638615M1	6	Piston	[B]
	3638617M1	6	Conrod	[B]
	3637626M91	6	Bearing	[B]

MASSEY FERGUSON**MF 3690 TRACTOR - 1637223**

1637223

ENGINE - FROM NO B109018 UP TO NO C146005**3**

Item	Part Number	Qty	Description	Comments
31	V640325110	8	Plug	[B]
31	V640325014	1	Plug	[B]
31	V640325018	1	Plug	[B]
31	V615571014	10	Seal	[B]
31	V615881420	1	Gasket	[B]
31	V615881822	1	Seal	[B]

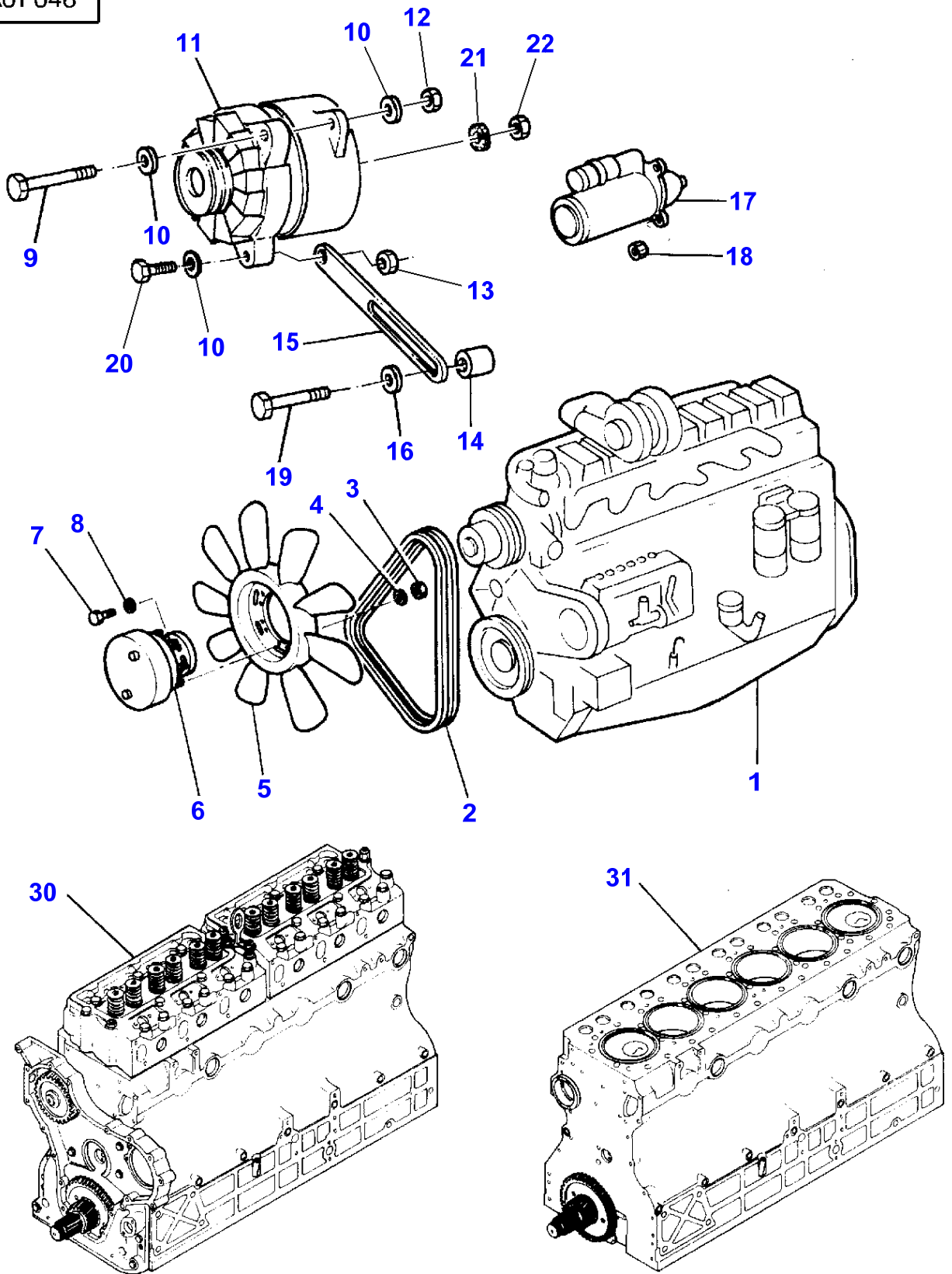
[A]

BELONGS TO ASSEMBLY V836340050

[B]

BELONGS TO ASSEMBLY V836340049

1-AA01-046

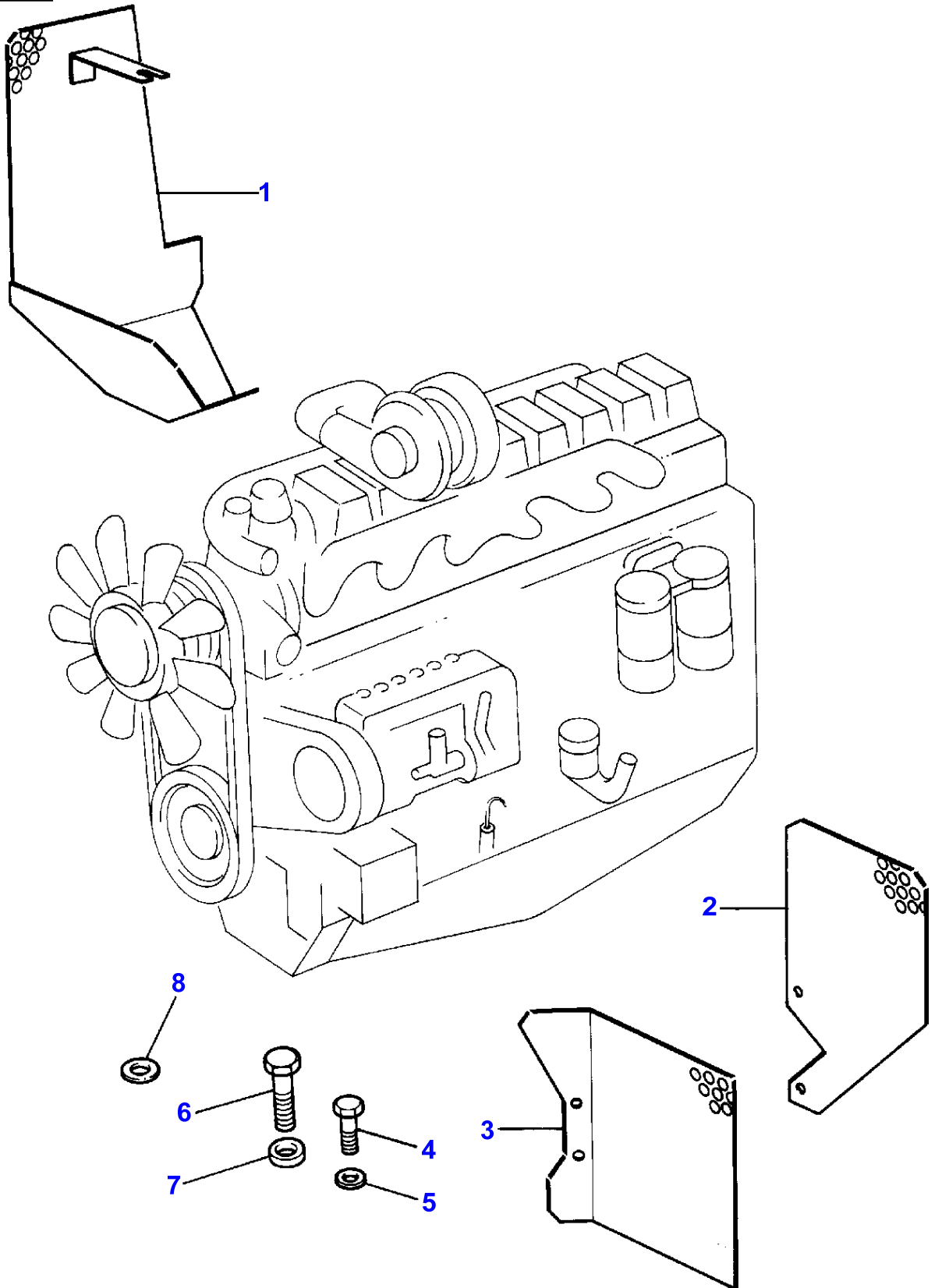


MASSEY FERGUSON**MF 3690 TRACTOR - 1637223****1637223****ENGINE - FROM NO C146006****4**

Item	Part Number	Qty	Description	Comments
				FROM NO C146006
1	3712142M1	1	Engine	
2	3617184M91	1	Kit, Belt	
3	339169X1	2	Nut Metric	Diameter M8
	394367X1	4	Locknut	
4	339374X1	2	Lock Washer	
	390972X1	4	Washer Metric	
5	3581601M1	1	Fan	
6	3389532M2	1	Clutch	
7	3009492X1	6	Screw Metric	M10X25
8	339376X1	6	Lock Washer	
9	339557X1	1	Screw	M8X120
10	390972X1	3	Washer Metric	Diameter 8MM
11	3618908M1	1	Alternator	See Page - Reference Number 58/
12	1441461X1	1	Nut Metric	Diameter 8MM
13	339169X1	1	Nut Metric	
14	3052946M1	1	Spacer	
15	3618909M1	1	Tensioner	
16	385361X1	1	Washer Metric	
17	3581576M2	1	Startermotor	MAGNE.MARELLI See Page - Reference Number 59/
18	3009693X1	3	Nut Metric	
19	339159X1	1	Bolt Metric	M8X65
20	339337X1	1	Screw Metric	M8X30
21	339375X1	1	Lock Washer	
22	339030X1	1	Nut Metric	
30		1	Short Engine	[A]
31		1	Short Engine	[A]

[A]
NUMBER TO BE ADVISED

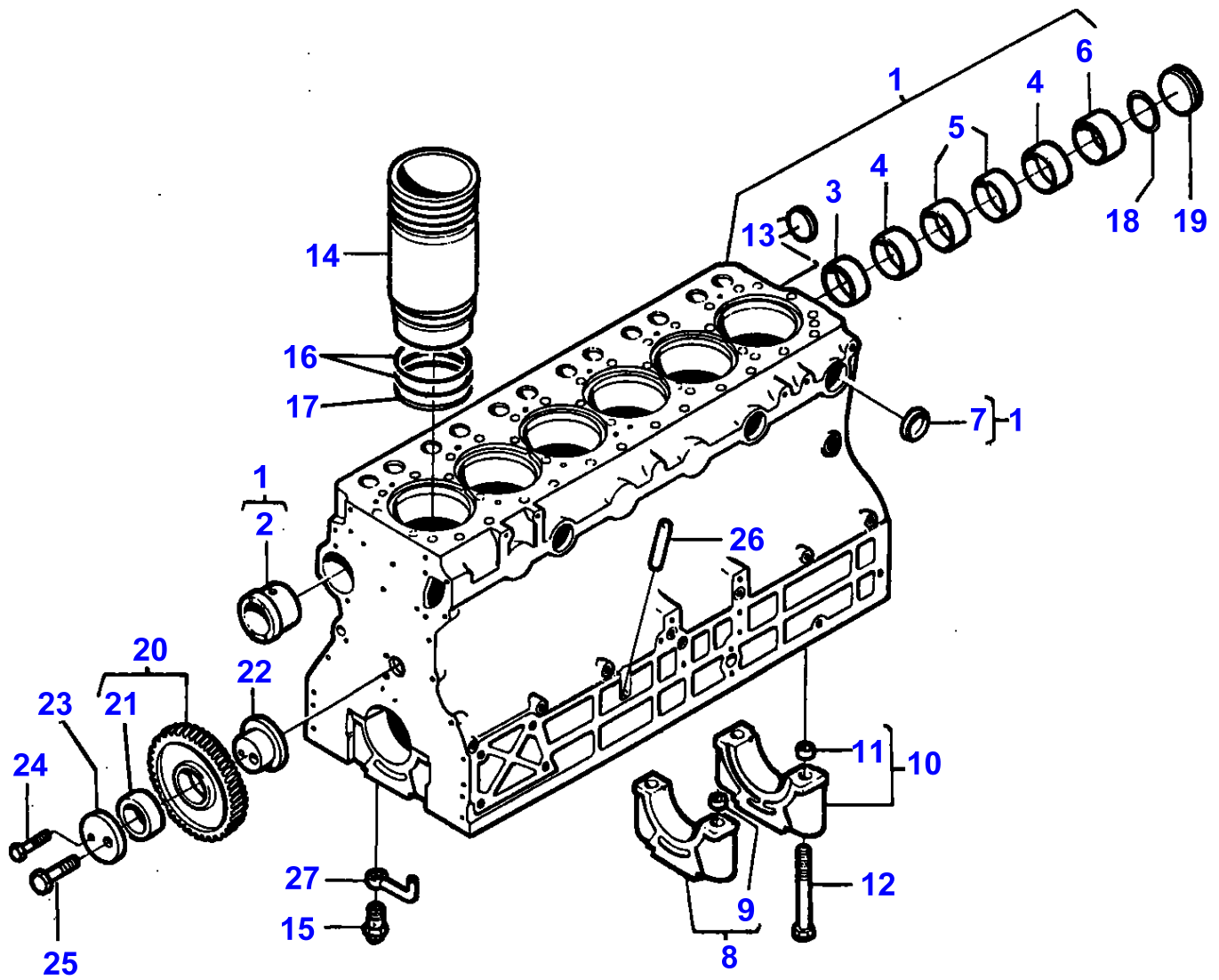
1-AA01-065



MASSEY FERGUSON**MF 3690 TRACTOR - 1637223****1637223****ENGINE - WITH FAN GUARDS FROM SERIAL C146006****5**

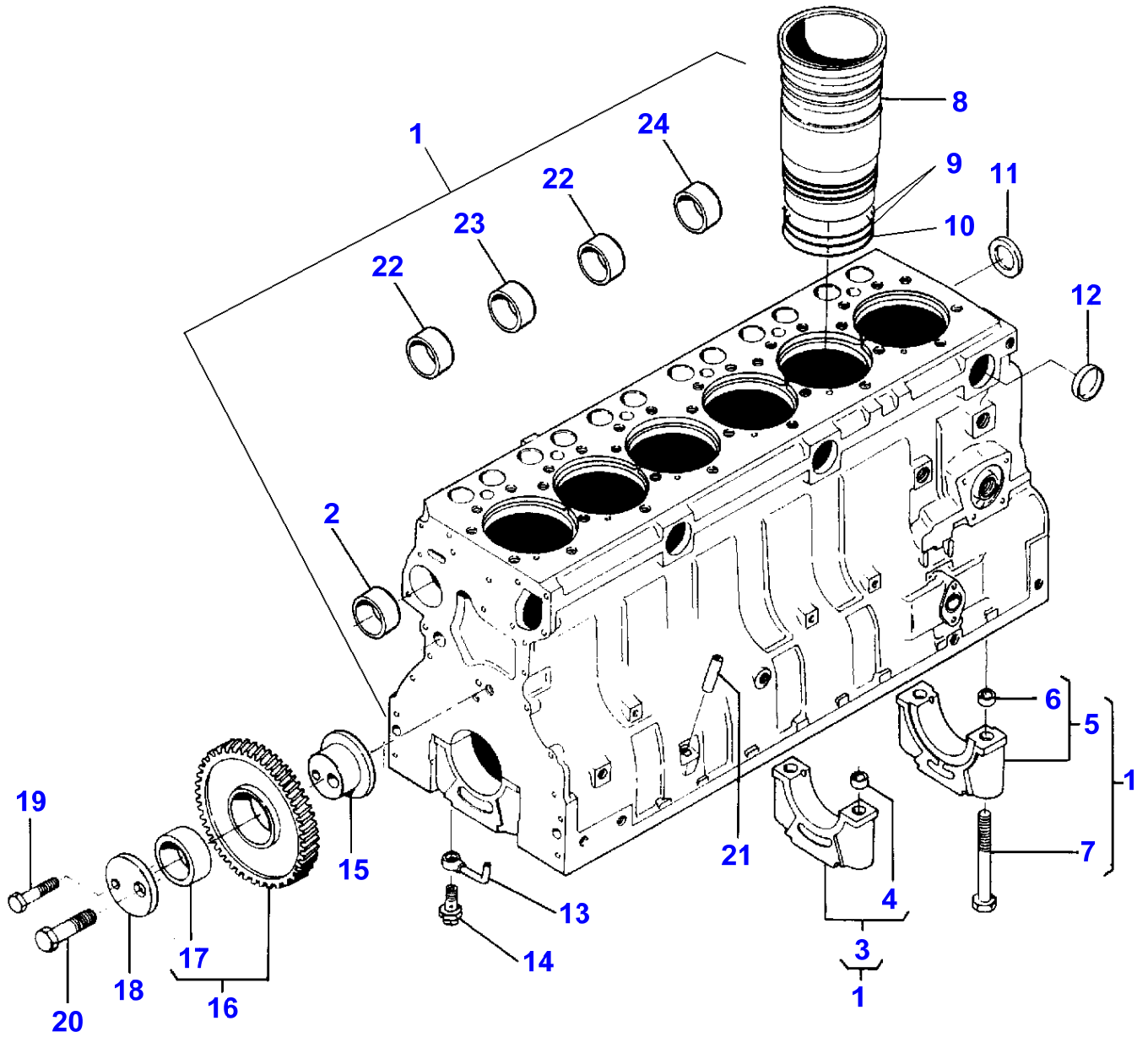
Item	Part Number	Qty	Description	Comments
				WITH FAN GUARDS FROM SERIAL C146006
1	3712312M1	1	Cowl	
2	3712313M1	1	Cowl	
3	3712314M1	1	Cowl	
4	339228X1	2	Screw Metric	M8X12
5	390972X1	2	Washer Metric	Diameter 8MM
6	339401X1	1	Screw Metric	[A] M10X25
7	3712335M1	1	Spacer	[A]
8	390734X1	1	Washer Metric	[A] Diameter 10MM
				[A] WITHOUT CONDITIONED-AIR

1-LA01-002



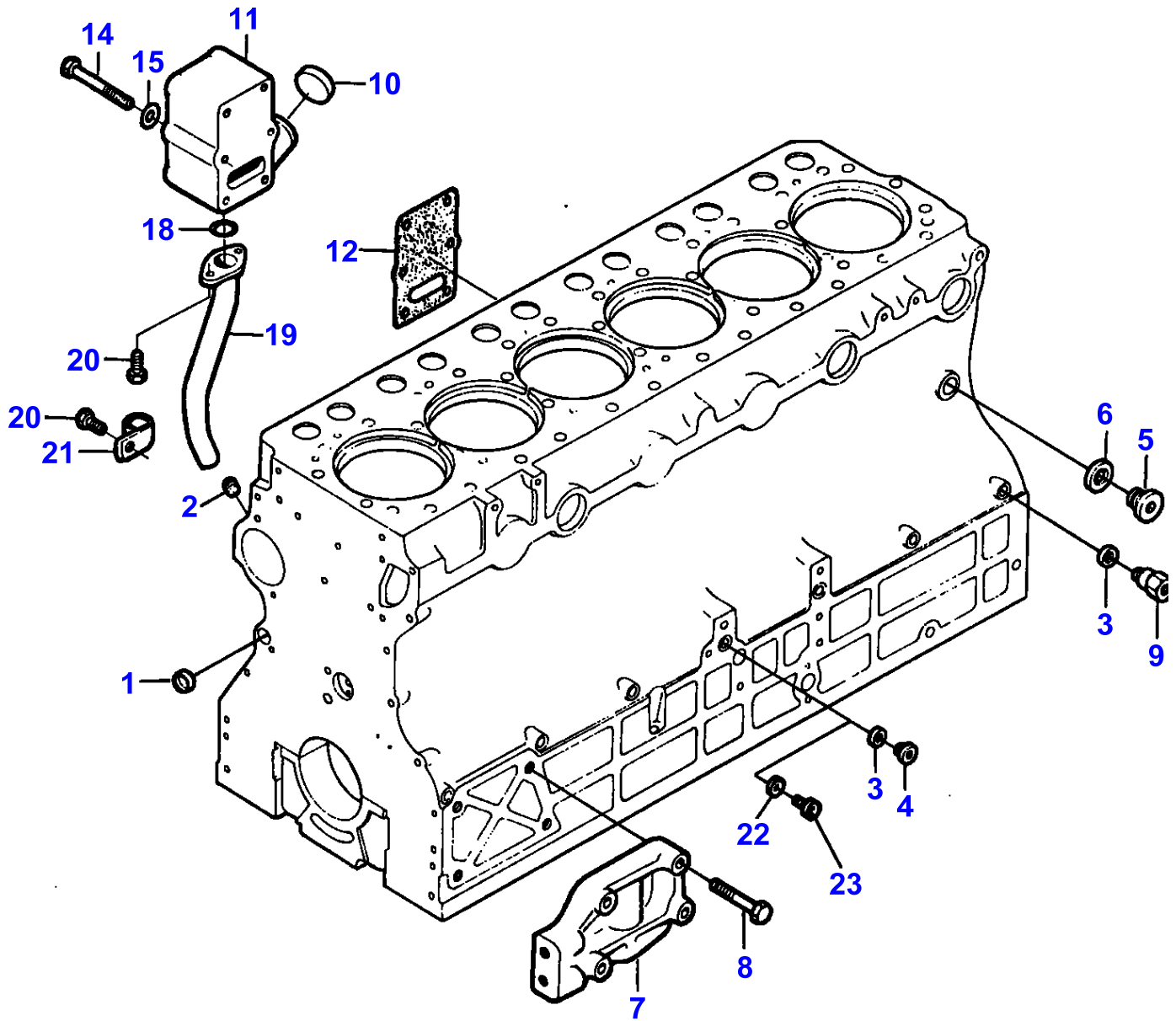
Item	Part Number	Qty	Description	Comments
				UP TO NO C146005
1	3638614M1	1	Cylinder Block	Up to Serial or Engine Number A2439
	V836347916	1	Cylinder Block	From Serial or Engine Number A2440
2	V835346889	1	Bush	(1) Repairs and replaces V835322171
3	V836322975	1	Bush	(1)
4	V836322608	2	Bush	(1)
5	V836322609	2	Bush	(1)
6	V836322610	1	Bush	(1)
				STANDARD
6	V835336463	X	Parts Pack	Diameter 61MM
7	V640016040	3	Plug	(1)
8	V836324757	6	Bearing Carrier	(1)
9	V836214478	12	Bush	(8)
10	V836324756	1	Bearing Carrier	(1)
11	V836214478	2	Bush	(10)
12	V529903180	14	Screw	(1)
13	V640016032	1	Plug	(1)
14	3637621M1	6	Liner	STANDARD
	V836338436	X	Liner	Thickness 9,08MM
	V836338437	X	Liner	Thickness 9,13MM
	V836338438	X	Liner	Thickness 9,23MM
15	V836338601	6	Valve	
16	3637622M1	12	O Ring	
17	3637623M1	6	O Ring	
18	V614605125	1	O Ring	Up to Serial or Engine Number D5221
19	V836852744	1	Plug	Up to Serial or Engine Number D5221
	V836852744	1	Plug	From Serial or Engine Number D5222
20	V836129863	1	Gear	
21	V836129844	1	Bush	(20)
22	V836129709	1	Shaft	
23	V836129845	1	Flange	
24	V528801860	1	Screw	
25	V529902680	1	Screw	
26	V836014334	1	Pipe	
27	V836338602	6	Pipe	

1-LA01-005



Item	Part Number	Qty	Description	Comments
				FROM NO C146006
1	3638608M1	1	Cylinder Block	
2	V836322610	1	Bush	(1)
3	V836324757	6	Bearing Carrier	(1)
4	V836214478	12	Bush	(3)
5	V836324756	1	Bearing Carrier	(1)
6	V836214478	2	Bush	(5)
7	V529903180	14	Screw	(1)
8	3638970M1	6	Liner	STANDARD
	V836647933	X	Liner	Thickness 9,08MM
	V836647934	X	Liner	Thickness 9,13MM
	V836647935	X	Liner	Thickness 9,23MM
9	V836647502	12	O Ring	
10	V836647503	6	O Ring	
11	V836852744	1	Plug	
12	V640016040	3	Plug	
13	V836846231	6	Pipe	
14	V836338601	6	Valve	
15	V836129709	1	Shaft	
16	V836129863	1	Gear	
17	V836129844	1	Bush	(16)
18	V836129845	1	Flange	
19	V528801860	1	Screw	
20	V529902680	1	Screw	
21	V836014334	1	Pipe	
22	V836852460	2	Bush	(1)
23	V836852459	1	Bush	(1)
24	V836852461	1	Parts Pack	(1)

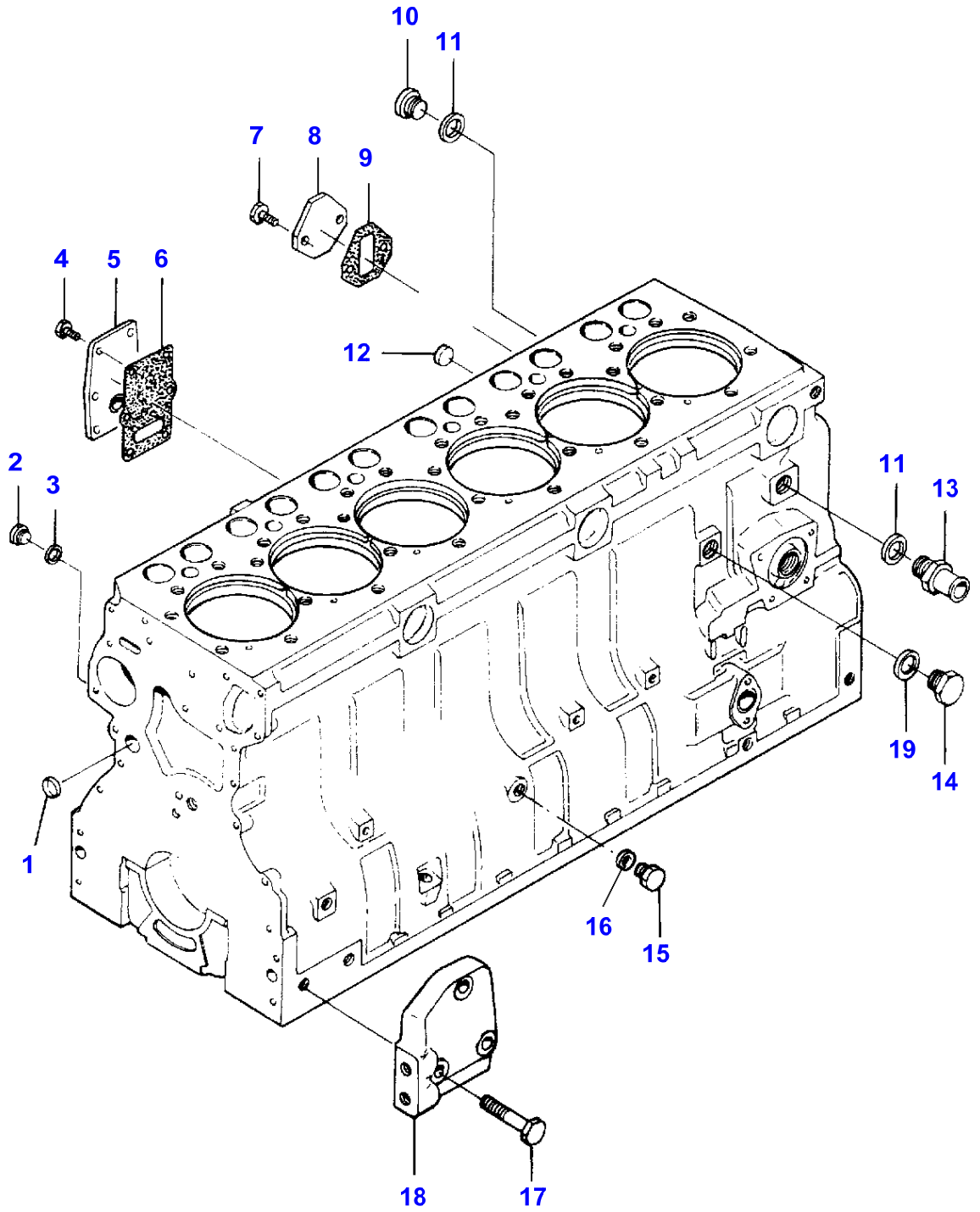
1-LA02-002



MASSEY FERGUSON**MF 3690 TRACTOR - 1637223****1637223****CYLINDER BLOCK EQUIPMENT - UP TO NO C146005****8**

Item	Part Number	Qty	Description	Comments
				UP TO NO C146005
1	V640016016	3	Plug	
2	V640025010	1	Plug	
3	V615571014	10	Seal	
4	V640325110	8	Plug	
5	V640325018	1	Plug	
6	V615881822	1	Seal	
7	V836338482	1	Support	Left Hand
	V836338483	1	Support	Right Hand
8	V529802290	8	Screw	
9	V836120022	2	Connection	
10	V640016036	1	Plug	
11	V836338604	1	Breather	
12	V836322852	1	Gasket	
14	V529801560	6	Screw	
15	V500950800	6	Washer	
18	V614603140	1	O Ring	
19	V836338493	1	Pipe	
20	V528801360	3	Screw	
21	V602060632	1	Clamp	
22	V615881420	1	Gasket	
23	V640325014	1	Plug	

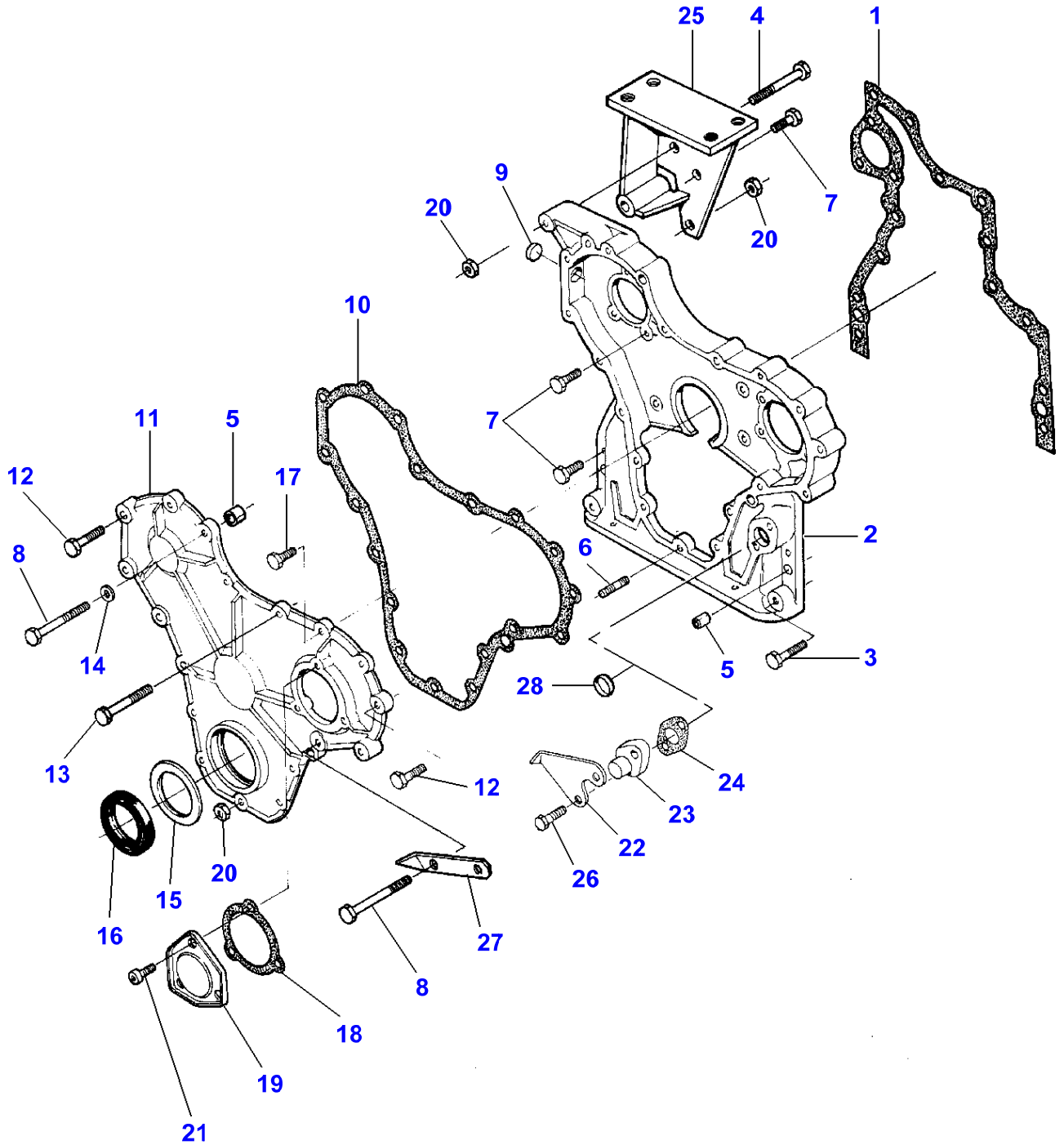
1-LA02-004



MASSEY FERGUSON**MF 3690 TRACTOR - 1637223****1637223****CYLINDER BLOCK EQUIPMENT - FROM NO C146006****9**

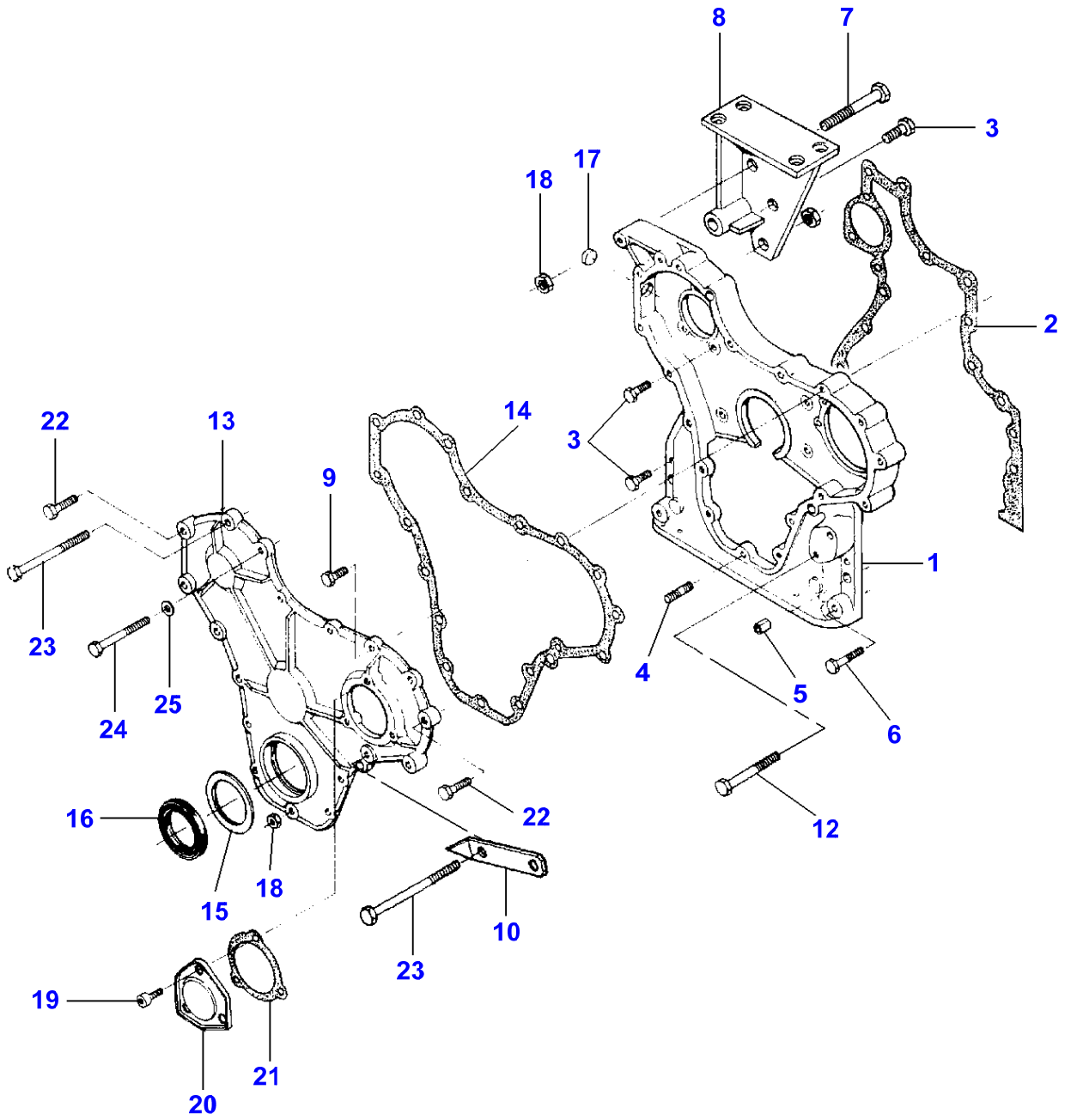
Item	Part Number	Qty	Description	Comments
				FROM NO C146006
1	V640016016	4	Plug	
2	V640325110	4	Plug	
3	V615571014	5	Seal	
4	V528801380	6	Screw	
5	V836847994	1	Cover	
6	V836322852	1	Gasket	
7	V528801362	2	Screw	
8	V836647400	1	Cover	
9	V836647401	1	Gasket	
10	V640325018	1	Plug	
11	V615881822	2	Seal	
12	V640016018	3	Plug	
13	V836119837	1	Union	
14	V836019756	1	Plug	
15	V640305012	1	Plug	
16	V615881216	1	Gasket	
17	V529802682	8	Screw	
18	V836852656	1	Support	Left Hand From Serial or Engine Number
18	V836852656	1	Support	Left Hand
	V836852657	1	Support	Right Hand
19	V615881824	1	Seal	

1-LA03-005



Item	Part Number	Qty	Description	Comments
				UP TO NO C146005
1	V836112390	1	Gasket	
2	V836147279	1	Housing	
3	V529801440	2	Screw	
4	V529801460	1	Screw	
5	V598359850	4	Bush	
6	V546801380	5	Stud	
7	V528801400	11	Screw	
8	V529801500	3	Screw	
9	V640016016	1	Plug	
10	V836129942	1	Gasket	
11	V836129697	1	Cover	
12	V528801420	4	Screw	
13	V529801470	3	Screw	
14	V836120989	1	Washer	
15	V836129782	1	Chock	
16	3637617M1	1	Seal	
	V835328899	X	Chock	Thickness 3MM
17	V528801400	3	Screw	
18	V836129946	1	Gasket	
19	V836136717	1	Cover	
20	V504800800	7	Nut	
21	V581804570	3	Screw	
22	V836322291	1	Indicator	Up to Serial or Engine Number B109017
23	V836129849	1	Cover	Up to Serial or Engine Number B109017
	V836352856	1	Cover	From Serial or Engine Number B109018
24	V836322190	1	Gasket	Up to Serial or Engine Number B109017
25	V836347534	1	Support	Up to Serial or Engine Number B109017
	V836352537	1	Support	From Serial or Engine Number B109018
26	V528801420	2	Screw	Up to Serial or Engine Number B109017
	V528801360	2	Screw	From Serial or Engine Number B109018
27	V836352822	1	Indicator	From Serial or Engine Number B109018
28	V640016026	1	Plug	From Serial or Engine Number B109018

1-LA03-006



MASSEY FERGUSON**MF 3690 TRACTOR - 1637223**

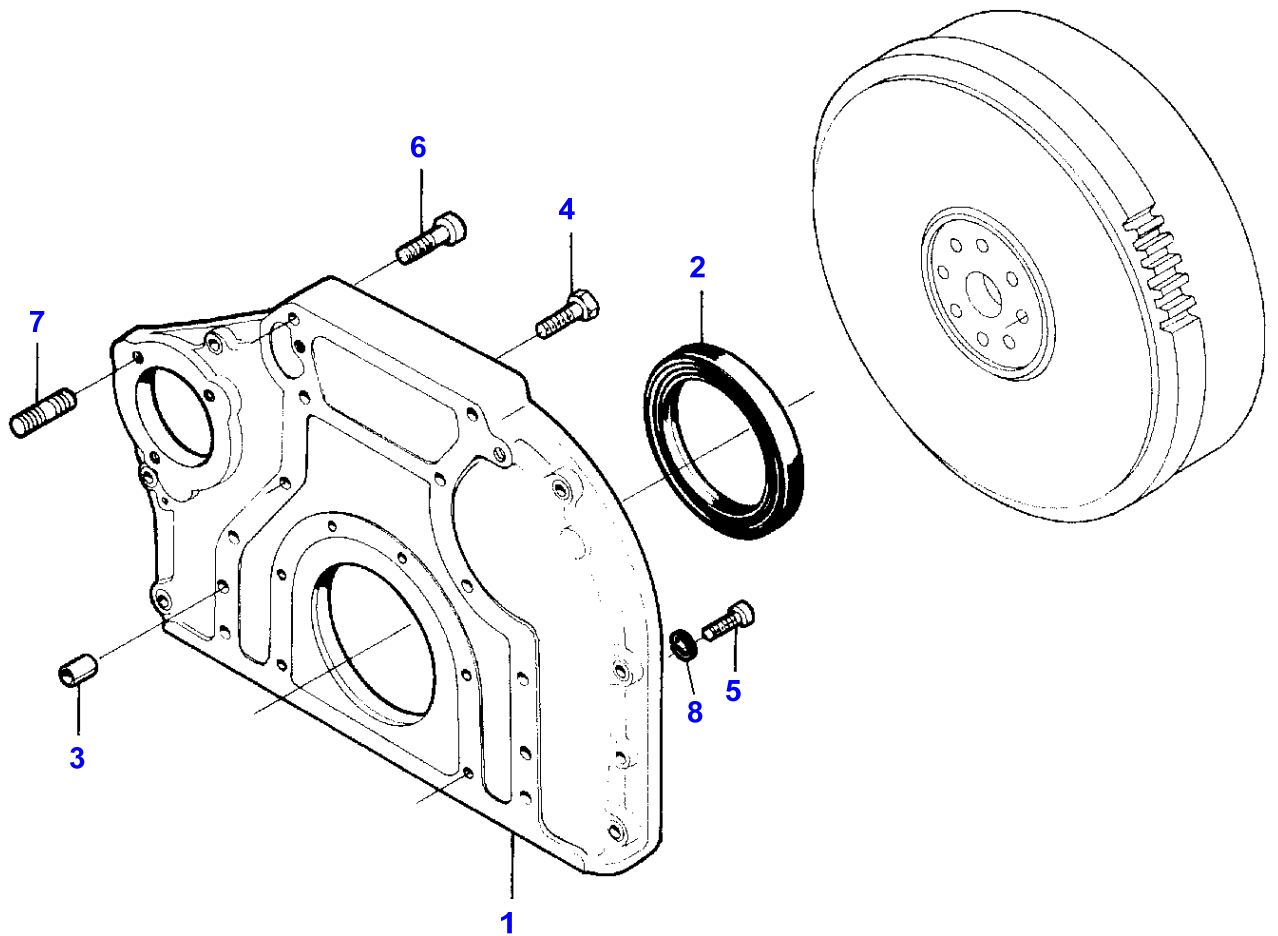
1637223

TIMING GEAR HOUSING - FROM NO C146006

11

Item	Part Number	Qty	Description	Comments
				FROM NO C146006
1	V836647406	1	Housing	
2	V836647419	1	Gasket	
3	V528801400	11	Screw	
4	V546801380	5	Stud	
5	V598359850	4	Bush	
6	V529801440	2	Screw	
7	V529801460	1	Screw	
8	V836352537	1	Support	
9	V528801380	2	Screw	
10	V836352822	1	Indicator	
12	V529801450	1	Screw	
13	V836647572	1	Cover	
14	V836129942	1	Gasket	
15	V836129782	1	Chock	
16	3637617M1	1	Seal	
17	V640016016	1	Plug	
18	V504800800	7	Nut	
19	V581804570	3	Screw	
20	V836136717	1	Cover	
21	V836129946	1	Gasket	
22	V528801420	4	Screw	
23	V529801500	3	Screw	
24	V529801470	3	Screw	
25	V836120989	1	Washer	

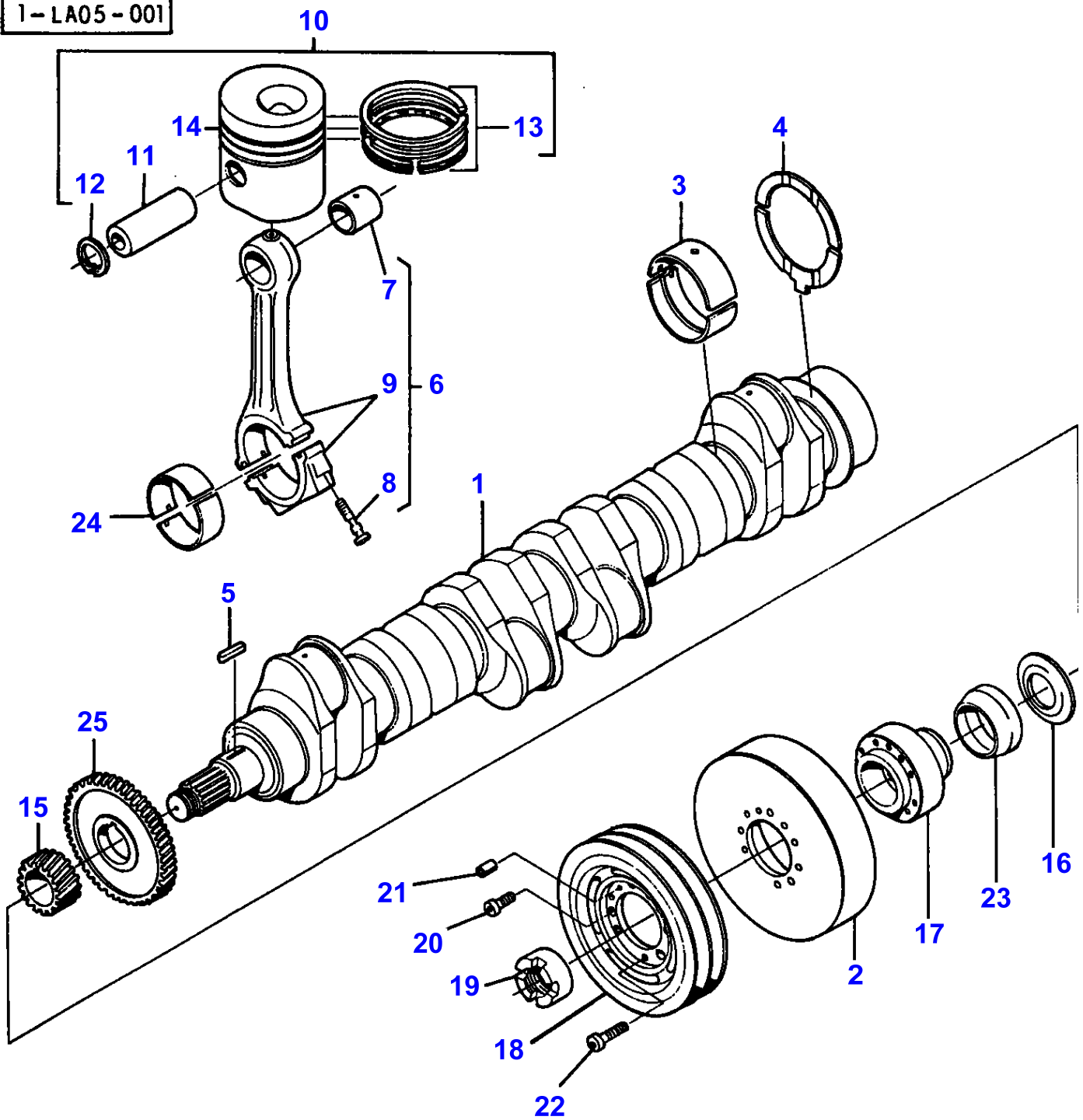
1-LA04-004



FLYWHEEL HOUSING

Item	Part Number	Qty	Description	Comments
1	V836346658	1	Cover	Up to Serial or Engine Number C146005
	V836847589	1	Housing	From Serial or Engine Number C146006
2	3637618M1	1	Seal	
	V836020054	X	Spacer	Up to Serial or Engine Number C146005
3	V598359850	2	Bush	
4	V529902230	8	Screw	Up to Serial or Engine Number C146005
	V528902230	8	Screw	From Serial or Engine Number C146006
5	V581705030	6	Screw	
6	V581705470	2	Screw	Up to Serial or Engine Number C146005
	V581905470	2	Screw	From Serial or Engine Number C146006
7	V546801800	3	Stud	
8	V500951000	3	Washer	From Serial or Engine Number C146006
	V500951200	1	Washer	From Serial or Engine Number C146006 Diameter 12MM

1-LA05-001

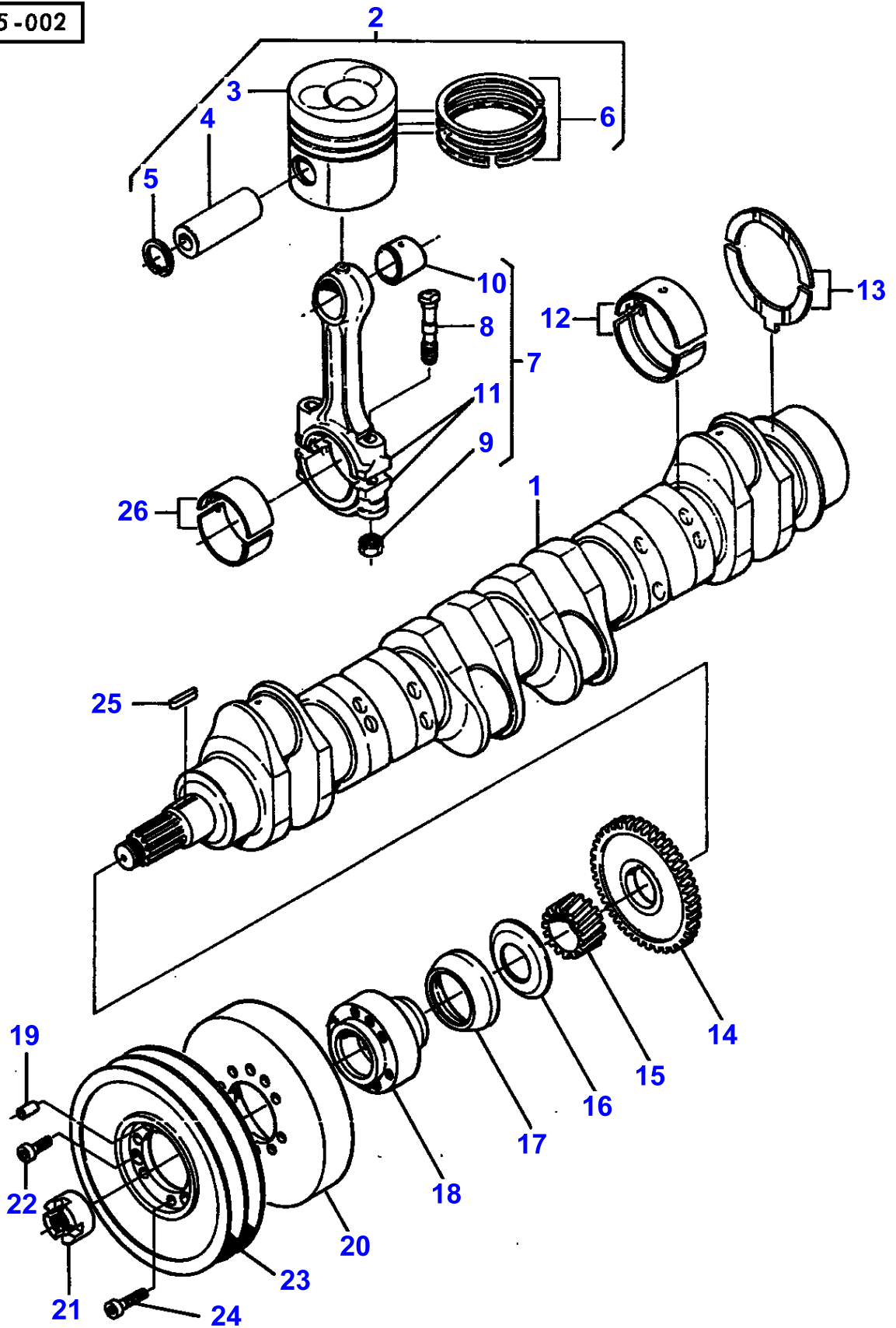


Item	Part Number	Qty	Description	Comments
				UP TO NO C146005
1	3638616M1	1	Crankshaft	
2	V836840867	1	Damper	Up to Serial or Engine Number B109017
	V836340689	1	Damper	From Serial or Engine Number B109018
3	V836655514	7	Bearing	STANDARD
	3637632M91	X	Bearing	Diameter 84,735MM 84,770MM
3	3637633M91	X	Bearing	Diameter 84,485MM 84,520MM
3	3637634M91	X	Bearing	Diameter 83,985MM 84,020MM
3	3637635M91	X	Bearing	Diameter 83,485MM 83,520MM
4	3637636M1	2	Thrust Washer	STANDARD
	3637637M1	X	Kit Thrust Washe	Thickness (-)0,1MM
	3637638M1	X	Thrust Washer	Thickness (-)0,2MM
5	V603345110	1	Key	
6	V836338795	X	Conrod	2971-2290G "E"
	V836338796	X	Conrod	2991-3010G "F"
	V836338797	X	Conrod	3011-3030G "G"
	V836338798	X	Conrod	3031-3050G "H"
	V836338799	X	Conrod	3051-3070G "I"
	V836338800	X	Conrod	3071-3090G "J"
	V836338801	X	Conrod	3091-3110G "K"
	V836338802	X	Conrod	3111-3130G "L"
	V836338803	X	Conrod	3131-3150G "M"
	V836338804	X	Conrod	3151-3170G "N"
	V836338805	X	Conrod	3171-3190G "O"
	V836338806	X	Conrod	3191-3210G "P"
	V836338807	X	Conrod	3211-3230G "R"
	V836338808	X	Conrod	3231-3250G "S"
	V836338809	X	Conrod	3251-3270G "T"
	V836338810	X	Conrod	3271-3290G "U"
	V836338811	X	Conrod	3291-3310G "V"
	V836338812	X	Conrod	3311-3330G "X"
	V836338813	X	Conrod	3331-3350G "Y"
	V836338814	X	Conrod	3351-3370G "Z"
7	3637624M1	6	Bush	(6)
	3637625M1	X	Bush	Diameter 48,58MM
8	V836336296	12	Screw	(6)
9		6	Conrod	(6) Not serviced, order REF 6
10	3638615M1	6	Piston	
11		6	Clevis Pin	(10) Not serviced, order REF 10
12		12	Clip	(10) Not serviced, order REF 10
13	3637620M91	6	Kit, Piston	(10)
14		6	Piston	(10) Not serviced, order REF 10
15	V836122840	1	Pinion	
16	V836129781	1	Slinger	
17	V836322586	1	Hub	
18	V836322588	1	Pulley	Up to Serial or Engine Number B109017
	V836355026	1	Pulley	From Serial or Engine Number B109018
19	V836322221	1	Nut	
20	V581804620	3	Screw	Up to Serial or Engine Number B109017
	V577804620	3	Screw	From Serial or Engine Number B109018
21	V595954600	1	Pin	
22	V581804640	6	Screw	
23	V836136271	1	Bush	
24	3637626M91	6	Bearing	STANDARD
	3637627M91	X	Bearing	Diameter 72,731MM 72,750MM
24	3637628M91	X	Bearing	Diameter 72,481MM 72,500MM
24	3637629M91	X	Bearing	Diameter 71,981MM 72,000MM
24	3637630M91	X	Bearing	Diameter 71,481MM

MASSEY FERGUSON**MF 3690 TRACTOR - 1637223****1637223****CRANKSHAFT, PISTONS AND CONNECTING RODS - UP TO NO C146005****13**

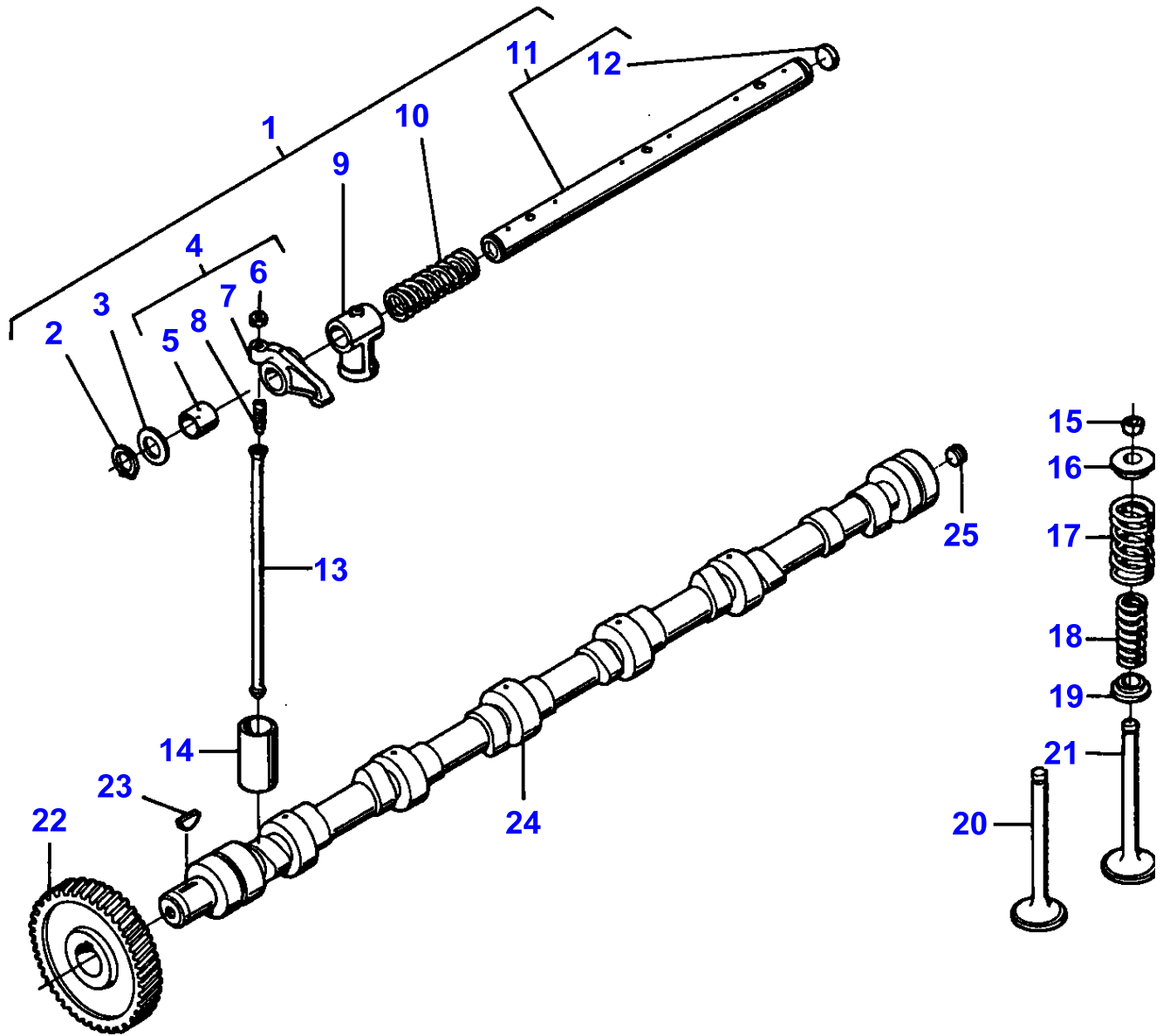
Item	Part Number	Qty	Description	Comments
25	V836119550	1	Pinion	71,500MM

1-LA05-002



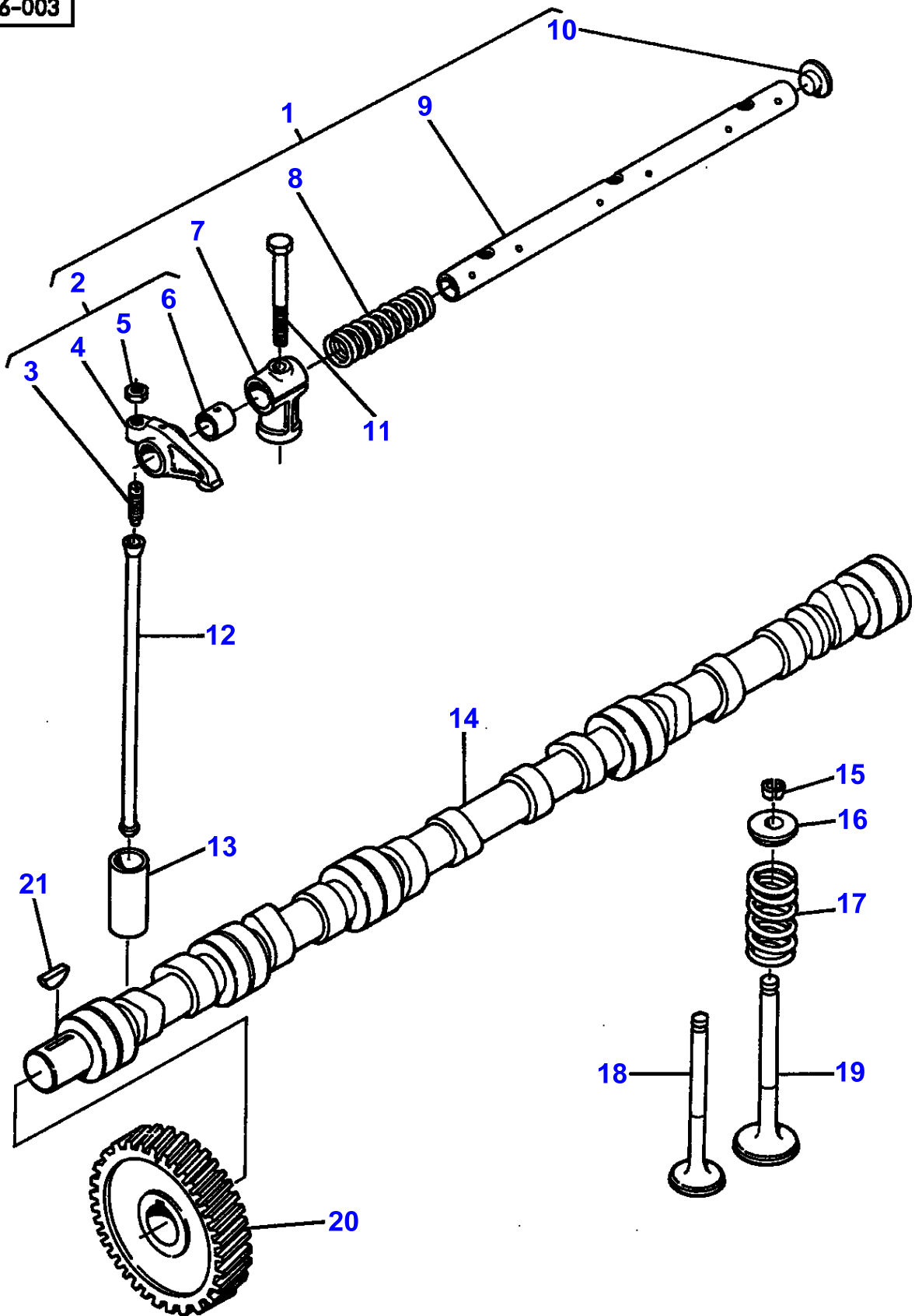
Item	Part Number	Qty	Description	Comments
				FROM NO C146006
1	V836852281	1	Crankshaft	
2	V836840596	1	Piston	
3		6	Piston	(2) Not serviced, order REF 2
4		6	Clevis Pin	(2) Not serviced, order REF 2
5		12	Clip	(2) Not serviced, order REF 2
6	V836640078	6	Kit, Piston Ring	(2)
7	V836652104	X	Conrod	2170-2189G A
	V836652105	X	Conrod	2190-2209G B
	V836652106	X	Conrod	2210-2229G C
	V836652107	X	Conrod	2230-2249G D
	V836652108	X	Conrod	2250-2269G E
	V836652109	X	Conrod	2270-2289G H
	V836652110	X	Conrod	2290-2309G I
	V836652111	X	Conrod	2310-2329G J
	V836652112	X	Conrod	2330-2349G K
	V836652113	X	Conrod	2350-2369G L
	V836652114	X	Conrod	2370-2389G M
	V836652115	X	Conrod	2390-2409G N
	V836652116	X	Conrod	2410-2429G O
	V836652117	X	Conrod	2430-2449G P
	V836652118	X	Conrod	2450-2469G R
	V836652119	X	Conrod	2470-2489G S
	V836652120	X	Conrod	2490-2509G T
8	V836646204	12	Screw	(7)
9	3638958M1	12	Nut	(7)
10	3638959M1	6	Bush	(7)
11		6	Conrod	(7) Not serviced, order REF 7
12	V836655514	7	Bearing	STANDARD
	3637632M91	X	Bearing	Diameter 84,735MM 84,770MM
12	3637633M91	X	Bearing	Diameter 84,485MM 84,520MM
12	3637634M91	X	Bearing	Diameter 83,985MM 84,020MM
12	3637635M91	X	Bearing	Diameter 83,485MM 83,520MM
13	3637636M1	2	Thrust Washer	STANDARD
	3637637M1	X	Kit Thrust Washe	Thickness (-)0,1MM
	3637638M1	X	Thrust Washer	Thickness (-)0,2MM
14	V836119550	1	Pinion	
15	V836122840	1	Pinion	
16	V836129781	1	Slinger	
17	V836136271	1	Bush	
18	V836322586	1	Hub	
19	V595954600	1	Pin	
20	V836340689	1	Damper	
21	V836847641	1	Nut	
22	V581804620	3	Screw	
23	V836355026	1	Pulley	
24	V581804640	6	Screw	
25	V603345110	1	Key	
26	V836110552	6	Bearing	STANDARD
	V836112762	X	Bearing	Diameter 67,761MM 67,750MM
26	V836112763	X	Bearing	Diameter 67,481MM 67,500MM
26	V836112765	X	Bearing	Diameter 66,981MM 67,000MM
26	V836112767	X	Bearing	Diameter 66,481MM 66,500MM

1-LA06-002



Item	Part Number	Qty	Description	Comments
				UP TO NO C146005
1	V836007816	2	Rocker Shaft	
2	V617300020	4	Clip	(1)
3	V836006581	4	Washer	(1)
4	V835328363	12	Rocker	(1)
5	V836006586	12	Bush	(4)
6	V504800800	12	Nut	(4)
7		12	Rocker	(4)
				Not serviced, order REF 4
8	V836010106	12	Screw	(4)
9	V836006580	6	Bracket	(1)
10	V836006582	4	Spring	(1)
11	V836007569	2	Shaft	(1)
12	V640016014	4	Plug	(11)
13	V836336341	12	Rod	
14	V836014264	12	Tappet	
15	V836006578	24	Cotter	
16	V836006577	12	Cup	
17	V836117910	12	Spring	
18	V836006574	12	Spring	
19	V836006579	12	Washer	
20	3637641M1	6	Valve	
21	3637642M1	6	Valve	
22	V836336899	1	Pinion	Up to Serial or Engine Number A2439
	V836347917	1	Pinion	From Serial or Engine Number A2440
23	V603305760	1	Key	
24	V836322170	1	Camshaft	
25	V640025010	2	Plug	

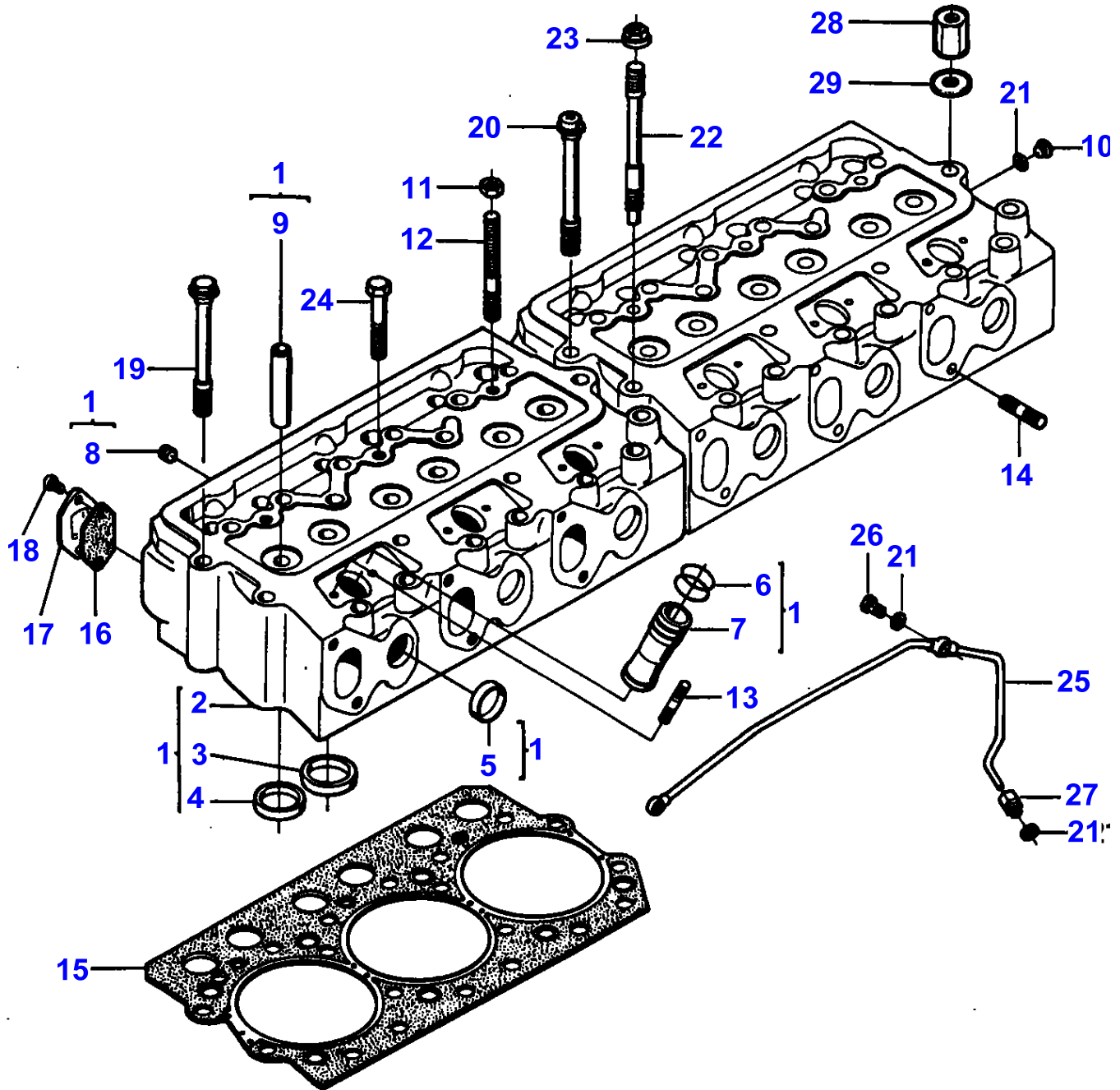
1-LA06-003



VALVE MECHANISM AND CAMSHAFT - FROM NO C146006

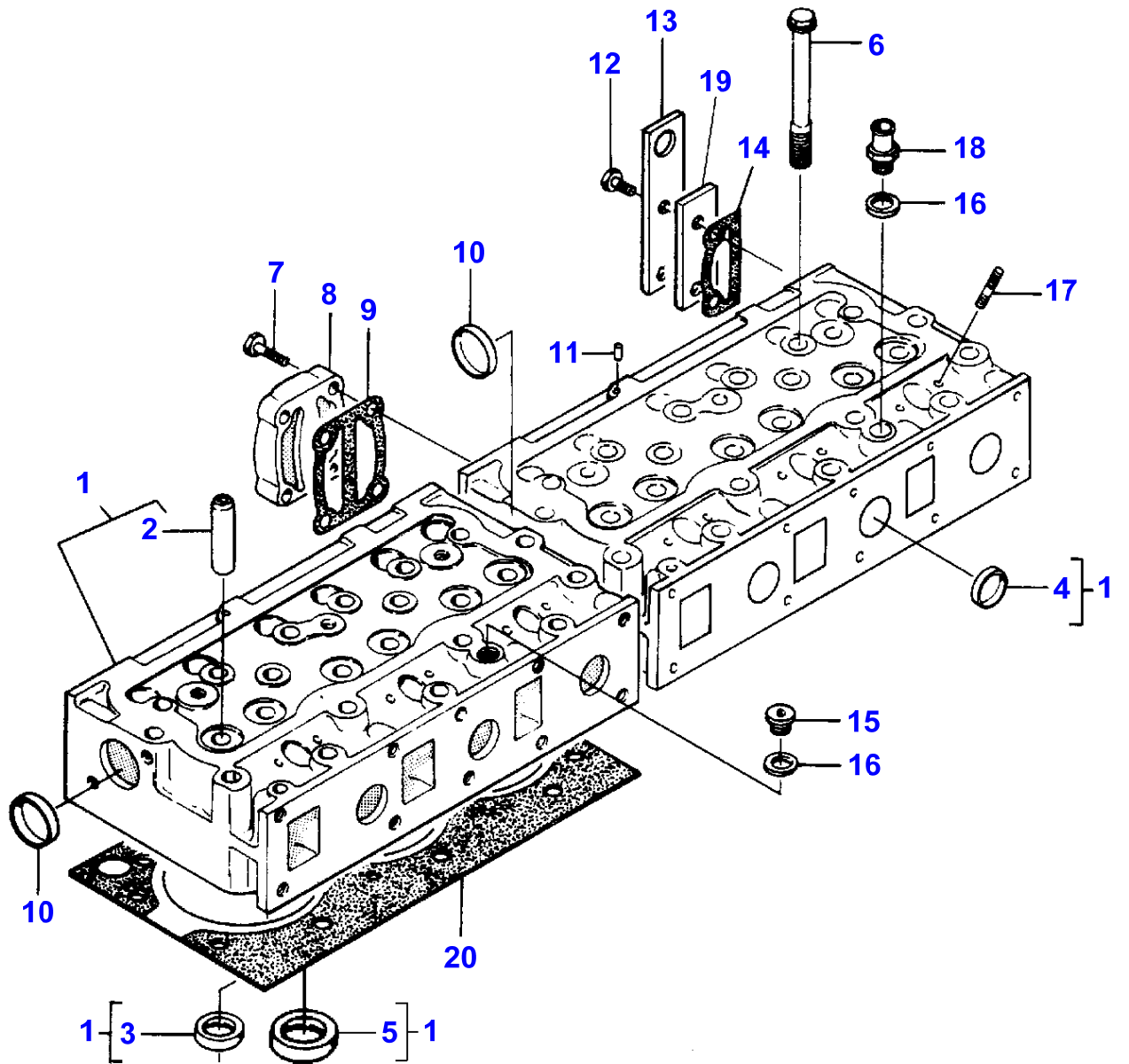
Item	Part Number	Qty	Description	Comments
				FROM NO C146006
1	V836646332	2	Rocker Shaft	
2	V835328363	12	Rocker	(1)
3	V836010106	12	Screw	(2)
4		12	Rocker	(2)
				Not serviced, order REF 2
5	V504800800	12	Nut	(2)
6	V836006586	12	Bush	(2)
7	V836006580	6	Bracket	(1)
8	V836006582	4	Spring	(1)
9	V836646329	2	Shaft	(1)
10	V836646328	4	Plug	(1)
11	V528801910	2	Screw	
12	V836110237	12	Rod	
13	V836014264	12	Tappet	
14	V836846376	1	Camshaft	
15	V836646382	24	Cotter	
16	V836646381	12	Cup	
17	V836646380	12	Spring	
18	V836646357	6	Valve Exhaust	
19	V836646356	6	Valve Inlet	
20	V836646389	1	Gear	
21	V603305760	1	Key	

1-LA07-002



Item	Part Number	Qty	Description	Comments
				UP TO NO C146005
1	3637655M91	2	Cylinder Head	
2		2	Cylinder Head	(1) Not serviced, order REP 1
3	V836119465	6	Valve Seat	(1)
	V836122965	X	Parts Pack	Diameter 48.20MM
	V836122966	X	Parts Pack	Diameter 48.40MM
4	V836117423	6	Valve Seat	(1)
	V836119004	X	Parts Pack	Diameter 43.20MM
	V836119005	X	Parts Pack	Diameter 43.40MM
5	V640016036	6	Plug	(1)
6	V614602415	12	O Ring	(1)
7	V836022081	6	Sleeve	(1) STANDARD
7	V836038723	X	Bush	Diameter (+)0.4MM
8	V640025012	6	Plug	(1)
9	3637640M1	12	Guide	(1)
10	V640325110	2	Plug	
11	V504601000	8	Nut	
12	V836122994	4	Stud	
13	V546901435	12	Stud	
14	V546801815	12	Stud	
15	3637639M1	2	Head Gasket	
16	V836322251	1	Gasket	
17	V836322250	1	Cover	
18	V581804570	2	Screw	
19	V835329931	34	Screw	
20	V835329932	2	Screw	
21	V615571014	7	Seal	
22	V835329936	4	Stud	
23	V835329930	3	Nut	
24	V528801910	2	Screw	
25	V836336446	1	Pipe	
26	V640435006	2	Screw	
27	V641086006	1	Connection	
28	V835329937	1	Nut	
29	V836329745	1	Washer	

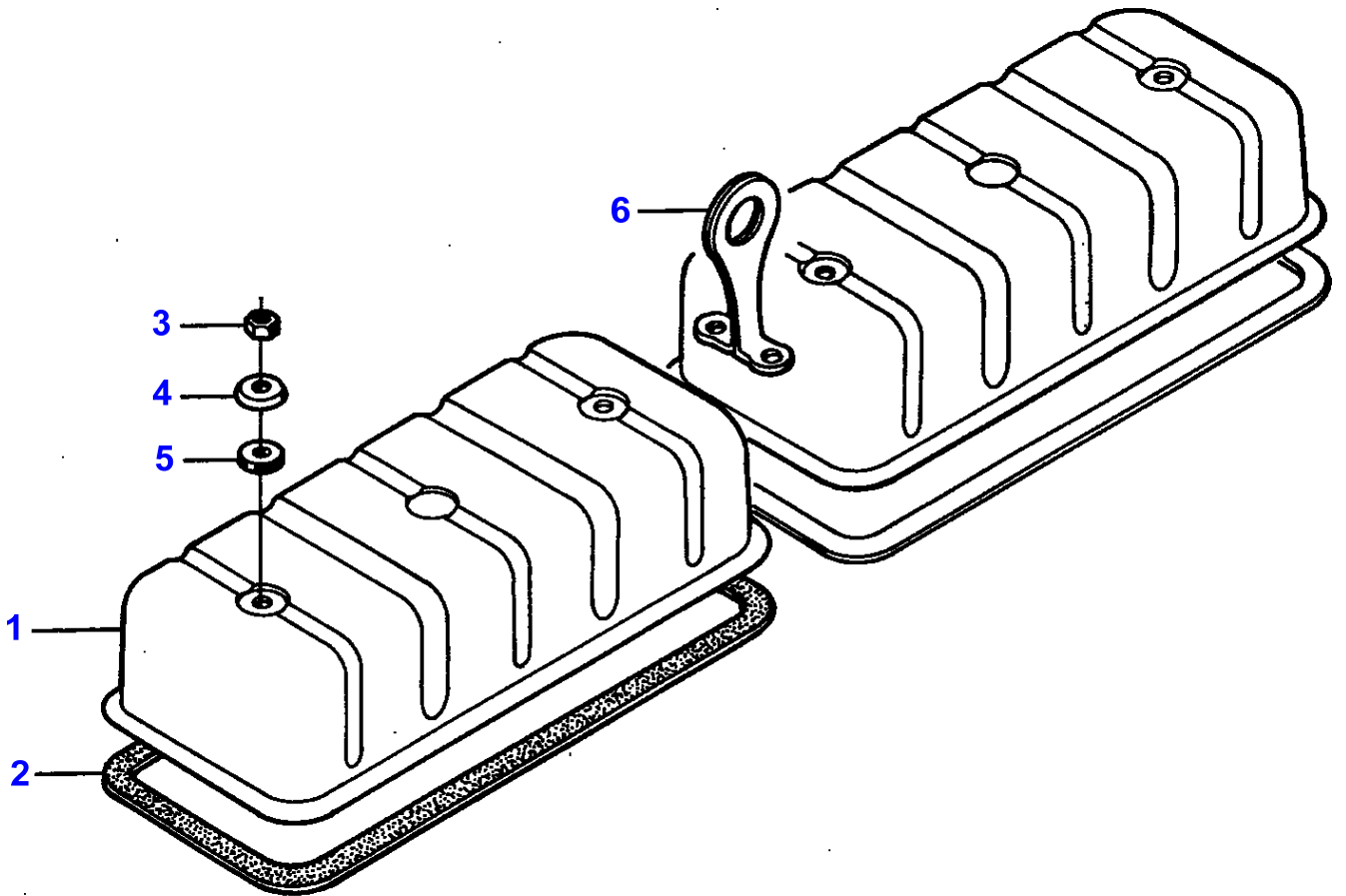
1-LA07-601-A



CYLINDER HEAD - FROM NO C146006

Item	Part Number	Qty	Description	Comments
				FROM NO C146006
1	V836647046	2	Cylinder Head	Up to Serial or Engine Number E1689
	V836647046	2	Cylinder Head	From Serial or Engine Number E1690
2	V836647601	6	Guide	(1)
3	V836647600	3	Seat	(1)
4	V640016036	5	Plug	(1)
5	V836655395	2	Gasket	
6	V836646383	33	Screw	
7	V528801420	4	Screw	
8	V836847350	1	Spacer	Up to Serial or Engine Number E1689
	V836855348	1	Spacer	From Serial or Engine Number E1690
9	V836855418	1	Gasket	Up to Serial or Engine Number E1689 V836846447
9	V836855418	1	Gasket	From Serial or Engine Number E1690 V836846447
10	V640016045	2	Plug	
11	V595953360	2	Pin	
12	V528801410	2	Adjusting Screw	
13	V836646396	1	Plate	Up to Serial or Engine Number E1689
	V836855349	1	Plate	From Serial or Engine Number E1690
14	V836846449	1	Gasket	Up to Serial or Engine Number E1689
	V836855417	1	Gasket	From Serial or Engine Number E1690
15	V640325018	1	Plug	
16	V615881822	2	Seal	
17	V546901435	12	Stud	
18	V836119837	1	Union	
19	V836855350	1	Plate	From Serial or Engine Number E1690
20	V836655395	2	Gasket	

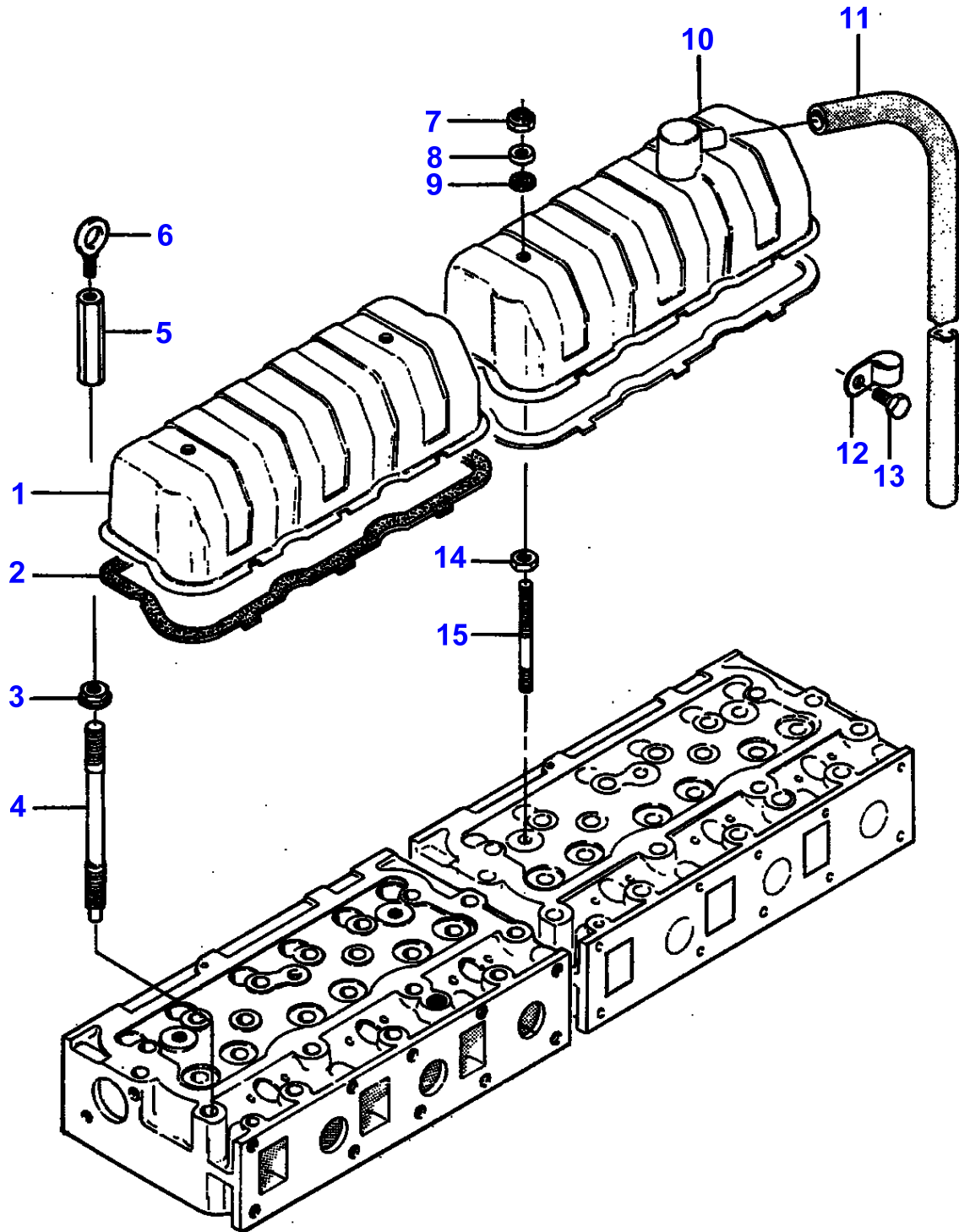
1 - LA08-002



MASSEY FERGUSON**MF 3690 TRACTOR - 1637223****1637223****CYLINDER HEAD COVER - UP TO NO C146005****19**

Item	Part Number	Qty	Description	Comments
				UP TO NO C146005
1	V836322614	2	Valve Cover	
2	3637643M1	2	Gasket	
3	V504601000	4	Nut	
4	V836119855	4	Washer	
5	V836012841	4	Gasket	
6	V836322245	1	Bracket	

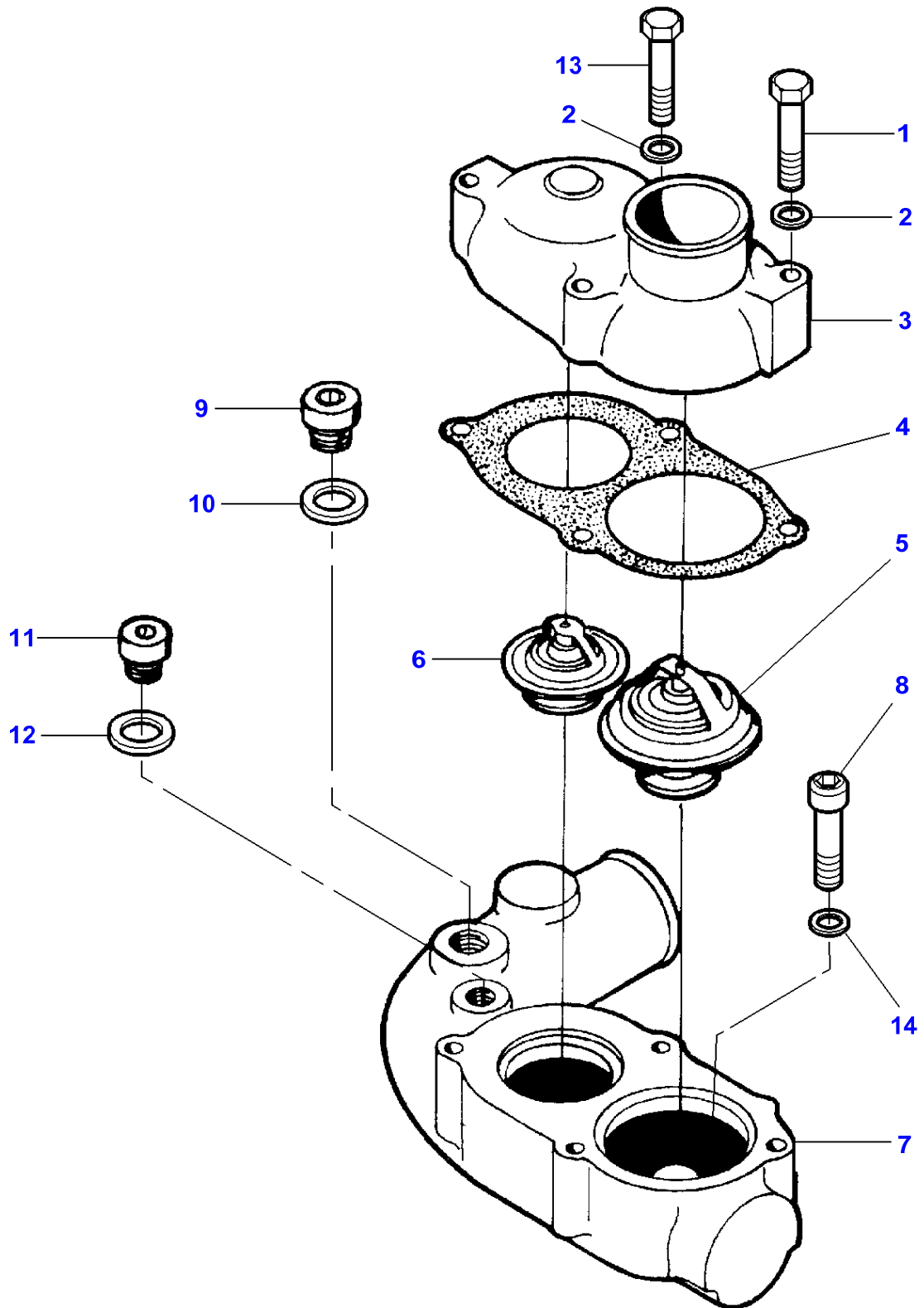
1-LA08-003



MASSEY FERGUSON**MF 3690 TRACTOR - 1637223****1637223****CYLINDER HEAD COVER - FROM NO C146006****20**

Item	Part Number	Qty	Description	Comments
				FROM NO C146006
1	V836846448	1	Valve Cover	
2	V836646360	2	Gasket	
3	V836647322	1	Nut	
4	V836647321	1	Stud	
5	V836647835	1	Nut Special	
6	V836640252	1	Shackle	
7	V510601002	4	Nut	
8	V836119855	4	Washer	
9	V836012841	4	Gasket	
10	V836646359	1	Valve Cover	
11	V835338706	1	Exhaust Pipe	
12	V602075528	1	Clamp	
13	V528801760	1	Screw	
14	V504601000	4	Nut	
15	V836652357	4	Stud	

1-LA09-004



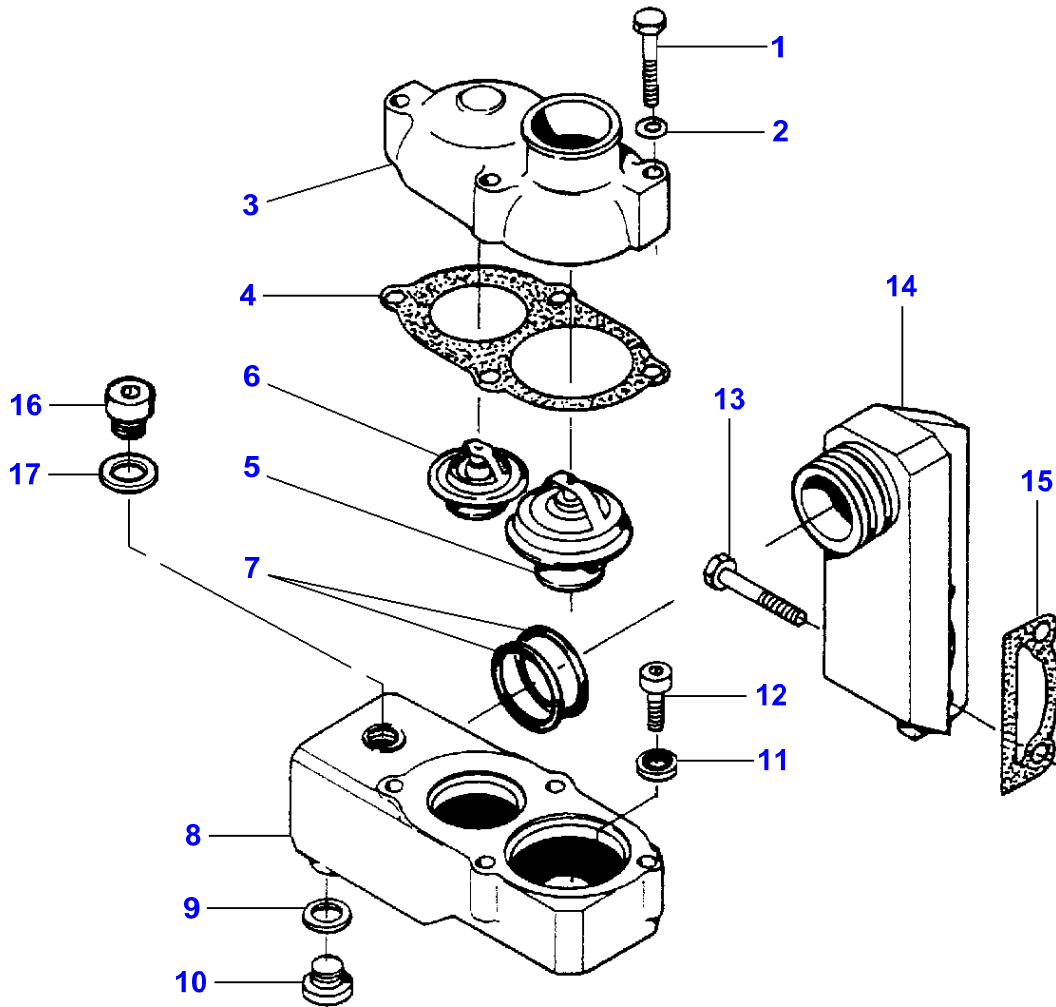
MASSEY FERGUSON**MF 3690 TRACTOR - 1637223****1637223****THERMOSTAT - UP TO NO C146005****21**

Item	Part Number	Qty	Description	Comments
				UP TO NO C146005
1	V529801460	3	Screw	
2	V500950800	4	Washer	
3	V836329631	1	Cover	
4	V836329632	1	Gasket	
5	V836352903	1	Thermostat	[A] Repairs and replaces 3637649M1
6	3637650M1	1	Thermostat	[B]
7	V836329630	1	Housing	
8	V581804620	2	Screw	
9	V640325018	1	Plug	
10	V615881822	1	Seal	
11	V640325014	1	Plug	
12	V615881420	1	Gasket	
13	V529801470	1	Screw	
14	V836015967	2	Seal	

[A]
OPENS AT 83 DEGREES

[B]
OPENS AT 79 DEGREES

1-LA09-005



MASSEY FERGUSON**MF 3690 TRACTOR - 1637223**

1637223

THERMOSTAT - FROM NO C146006

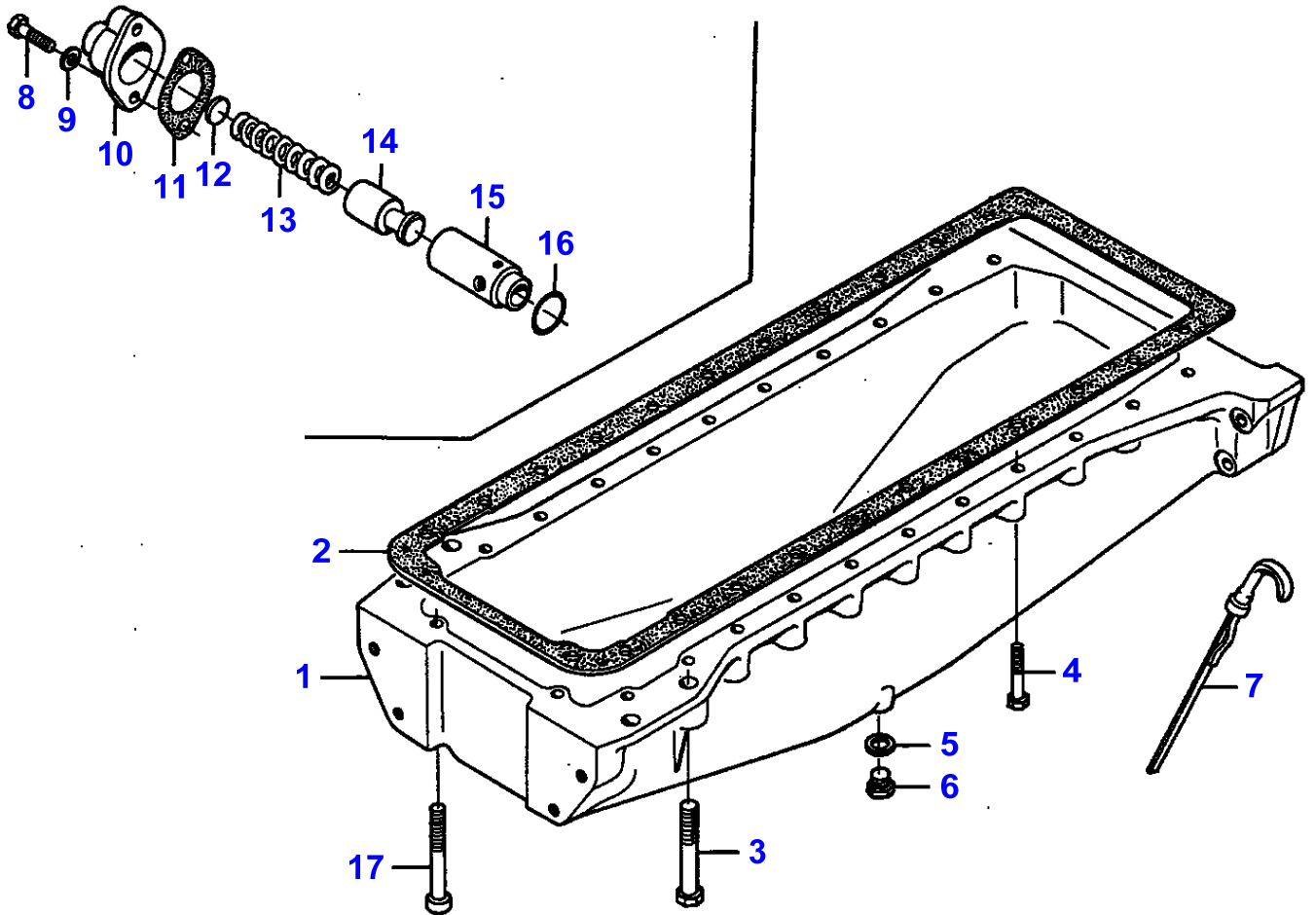
22

Item	Part Number	Qty	Description	Comments
				FROM NO C146006
1	V529801460	4	Screw	
2	V500950800	4	Washer	
3	V836329631	1	Cover	
4	V836329632	1	Gasket	
5	V836352903	1	Thermostat	[A]
6	3637650M1	1	Thermostat	[B]
7	V614604957	2	O Ring	
8	V836847880	1	Housing	
9	V615881822	2	Seal	
10	V640325018	1	Plug	
11	V836015967	2	Seal	
12	V581804620	5	Screw	
13	V529801450	2	Screw	
14	V836847943	1	Housing	
15	V836855417	1	Gasket	
16	V640325014	1	Plug	
17	V615881418	1	Seal	

[A]
OPENS AT 83 DEGREES

[B]
OPENS AT 79 DEGREES

1- LA10-002



MASSEY FERGUSON**MF 3690 TRACTOR - 1637223**

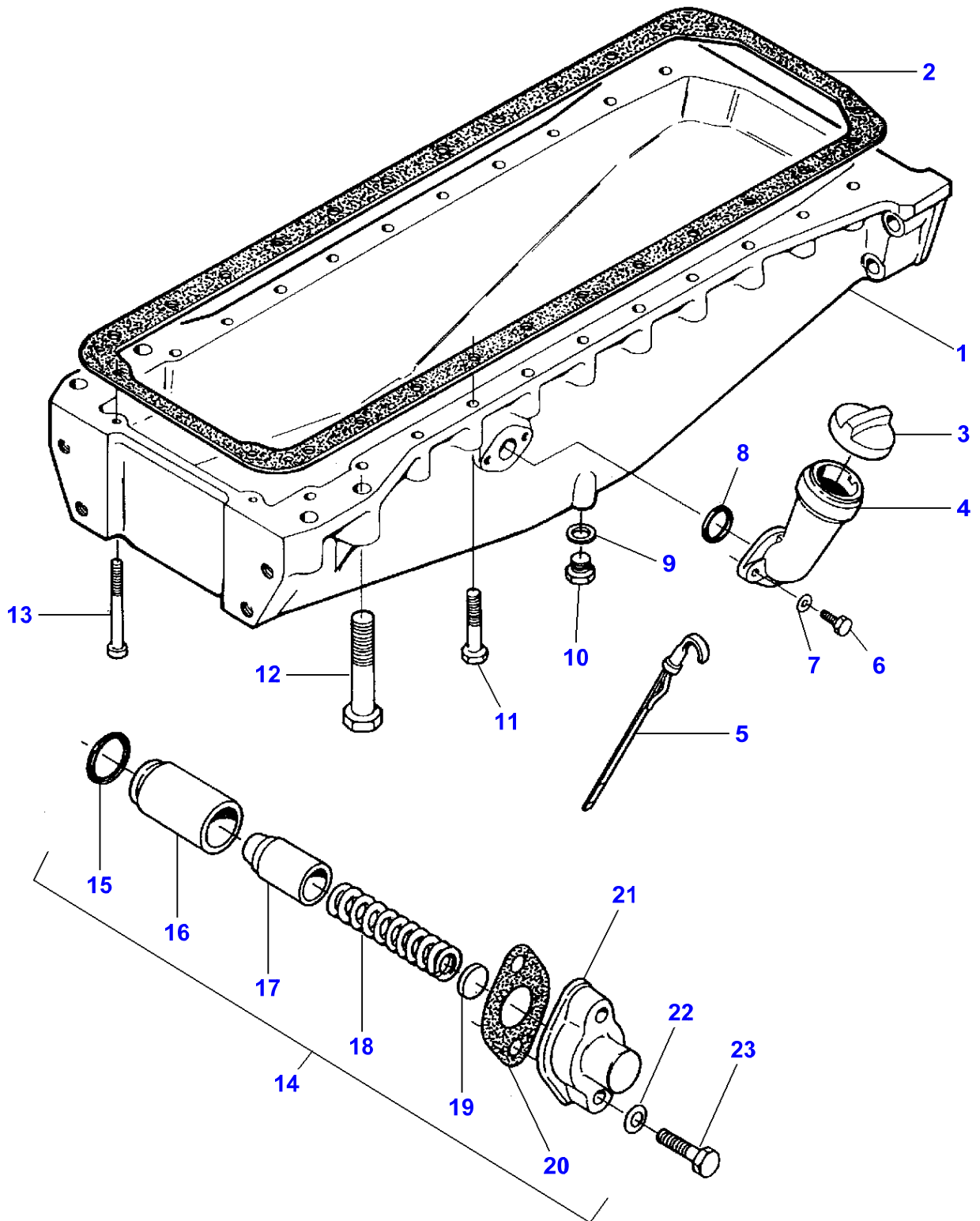
1637223

LUBRICATING OIL SUMP - UP TO NO C146005

23

Item	Part Number	Qty	Description	Comments
				UP TO NO C146005
1	V836346659	1	Housing	
2	V836322183	1	Gasket	
3	V529903990	4	Screw	
4	V529901890	22	Screw	
5	V615881620	1	Seal	
6	V836119079	1	Plug	
7	V836338637	1	Dipstick	
8	V528801420	2	Screw	
9	V500950800	2	Washer	
10	V836129849	1	Cover	
11	V836322190	1	Gasket	
12	V836020290	1	Washer	
13	V836117836	1	Spring	
14	V836338850	1	Piston	
15	V836117834	1	Cylinder	
16	V614601524	1	O Ring	
17	V581704830	2	Screw	

1-LA10-006



MASSEY FERGUSON**MF 3690 TRACTOR - 1637223**

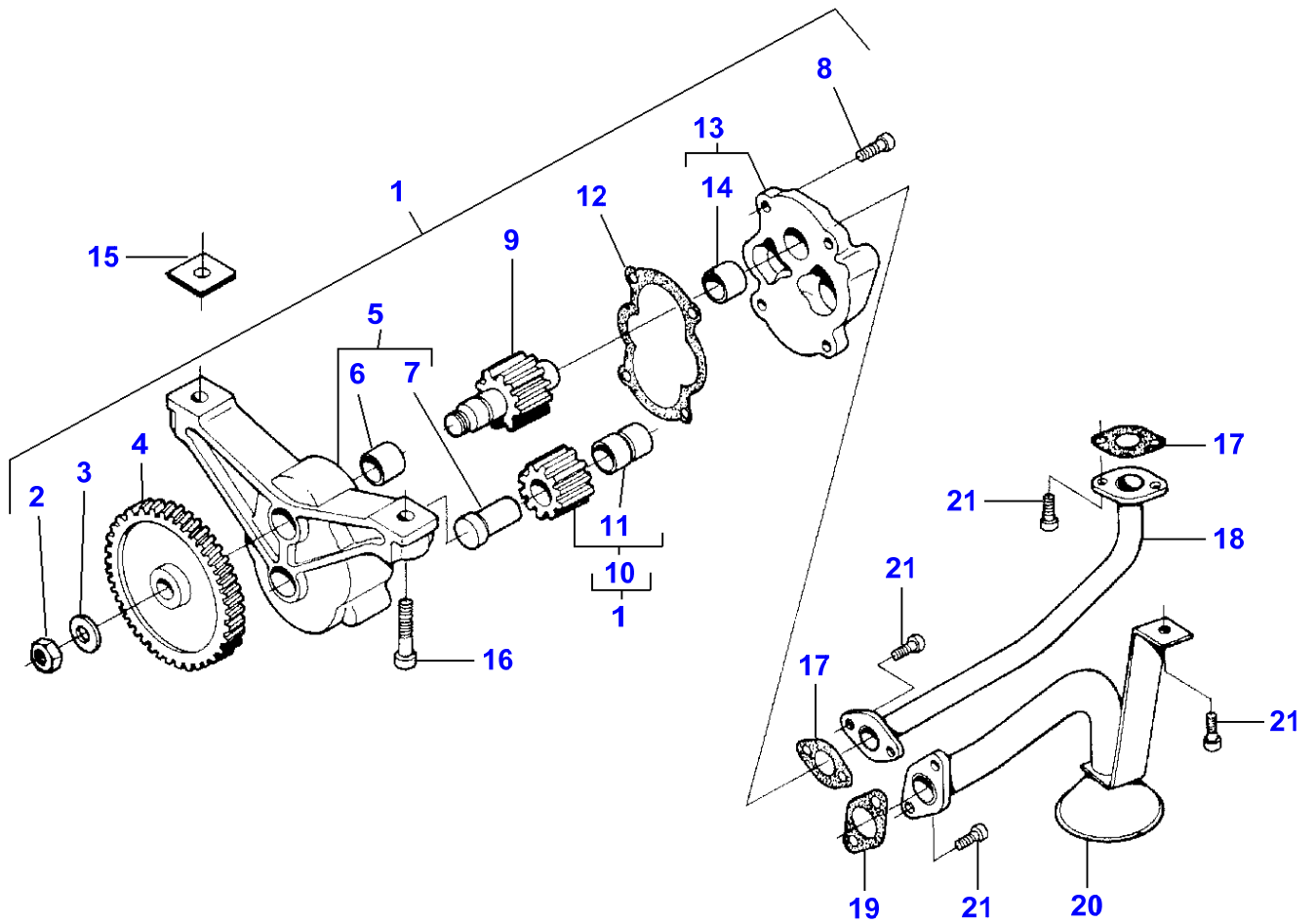
1637223

LUBRICATING OIL SUMP - FROM NO C146006

24

Item	Part Number	Qty	Description	Comments
				FROM NO C146006
1	V836852518	1	Housing	
2	V836322183	1	Gasket	
3	V836640091	1	Plug	
4	V836847882	1	Breather	
5	V836338637	1	Dipstick	
6	V528801380	2	Screw	
7	V500950800	2	Washer	
8	V614603230	1	O Ring	
9	V615881620	1	Seal	
10	V836119079	1	Plug	
11	V529701880	22	Screw	
12	V529903990	4	Screw	
13	V581704830	2	Screw	
14	V835340042	1	Control Valve	
15	V614601524	1	O Ring	(14)
16	V836117834	1	Cylinder	(14)
17	V836338850	1	Piston	(14)
18	V836117836	1	Spring	(14)
19	V836020290	1	Washer	(14)
20	V836322190	1	Gasket	(14)
21	V836129849	1	Cover	
22	V500950800	2	Washer	
23	V528801420	2	Screw	

1-LA11-004



MASSEY FERGUSON**MF 3690 TRACTOR - 1637223**

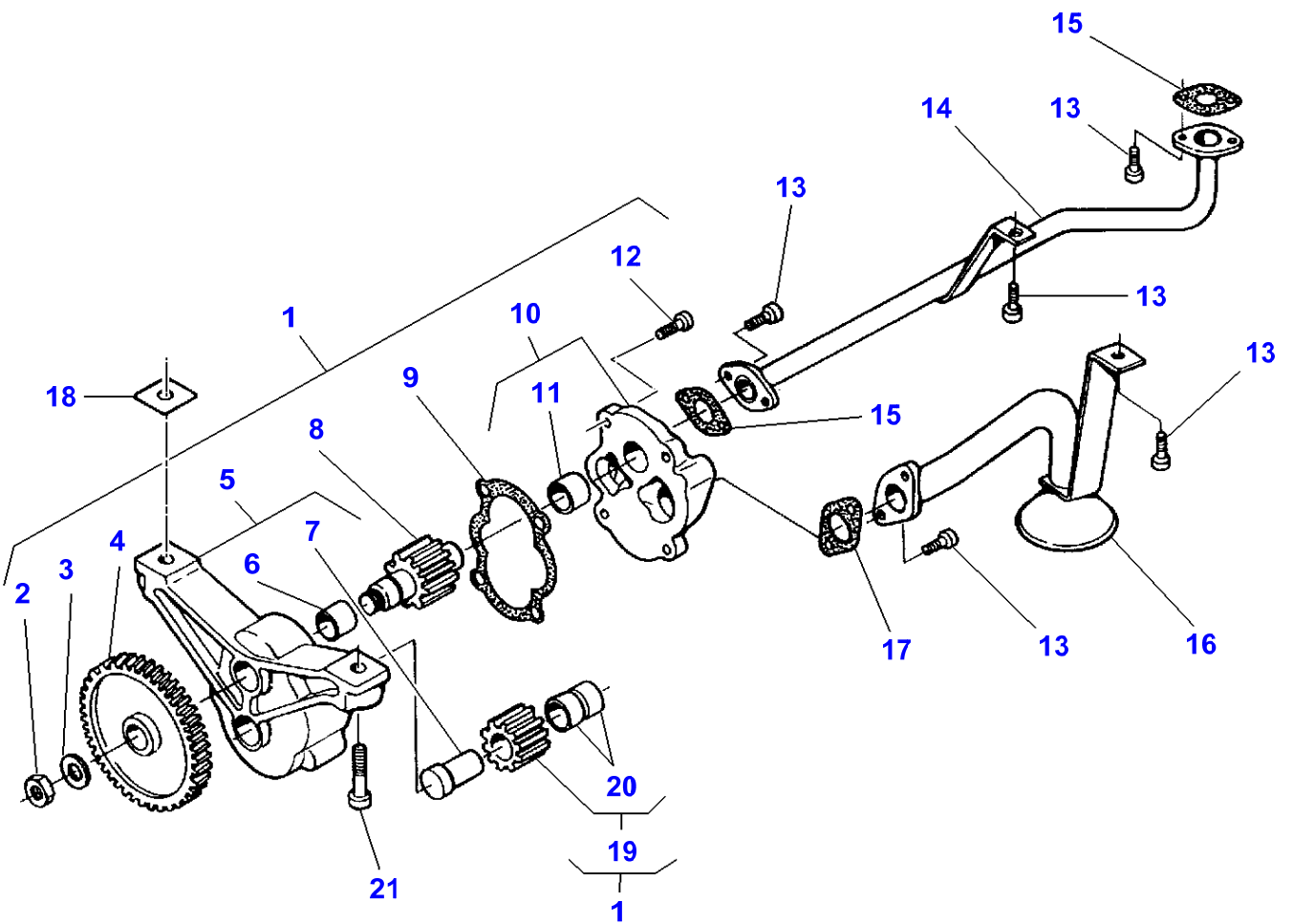
1637223

LUBRICATING OIL PUMP - UP TO NO C146005

25

Item	Part Number	Qty	Description	Comments
				UP TO NO C146005
1	3637653M91	1	Oil Pump	
2	V504861000	1	Nut	(1)
	V504861000	1	Nut	(1)
3	V836122910	1	Washer	(1)
4	V836338667	1	Gear	(1)
5	V836338186	1	Housing	(1)
6	V836322909	1	Bush	(5)
7	V836322906	1	Shaft	(5)
8	V581804600	4	Screw	(1)
9	V836338182	1	Gear	(1)
10	V836338180	1	Gear	(1)
11	V836322909	2	Bush	(10)
12	V836338188	1	Gasket	(1)
13	V836338184	1	Cover	(1)
14	V836322909	1	Bush	(13)
15	V836007871	X	Shim	
16	V581805050	2	Screw	
17	V836008449	2	Gasket	
18	V836338619	1	Pipe	
19	V836338201	1	Gasket	
20	V836338613	1	Strainer	
21	V581804600	7	Screw	

1-LA11-005



MASSEY FERGUSON**MF 3690 TRACTOR - 1637223**

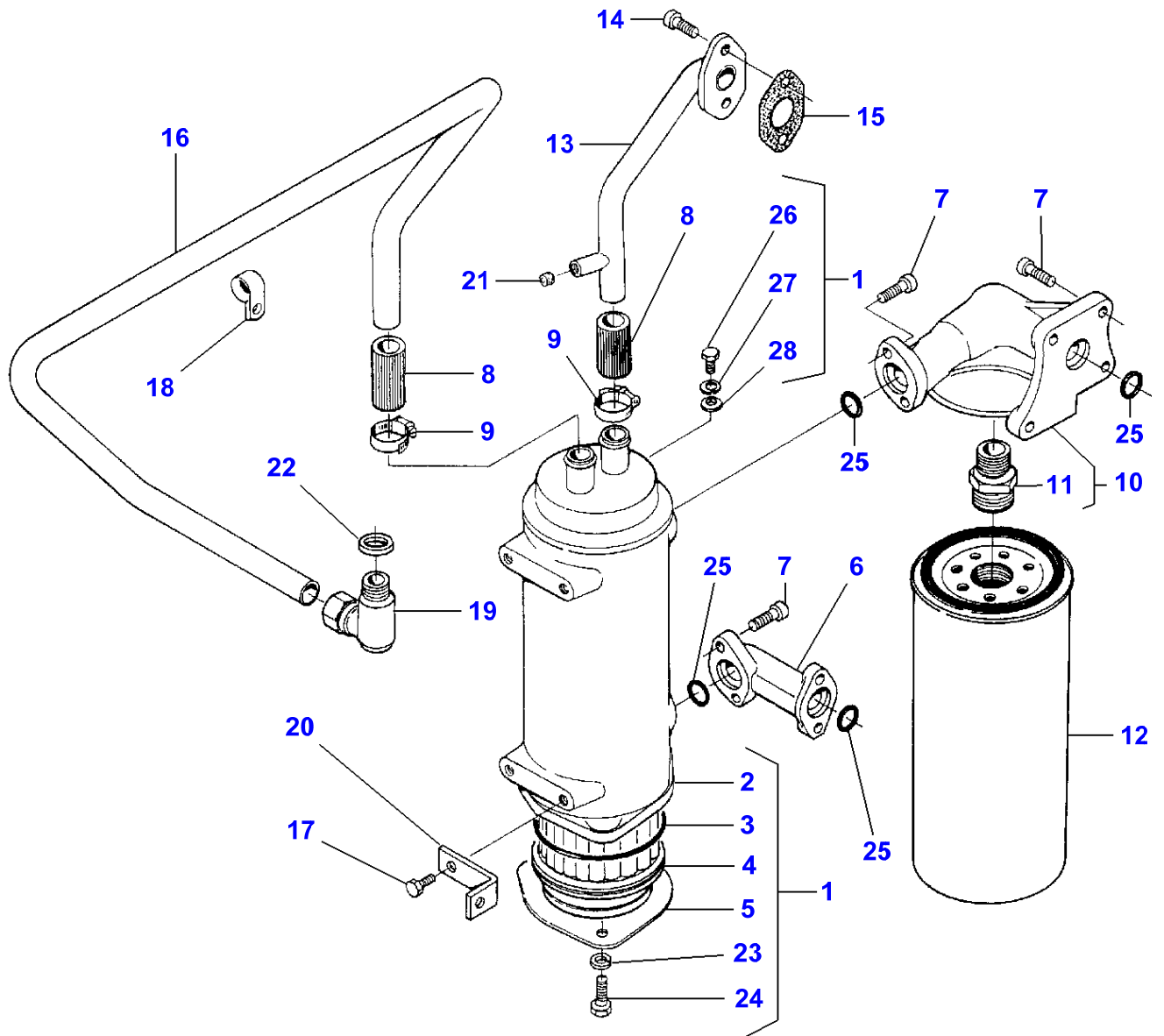
1637223

LUBRICATING OIL PUMP - FROM NO C146006

26

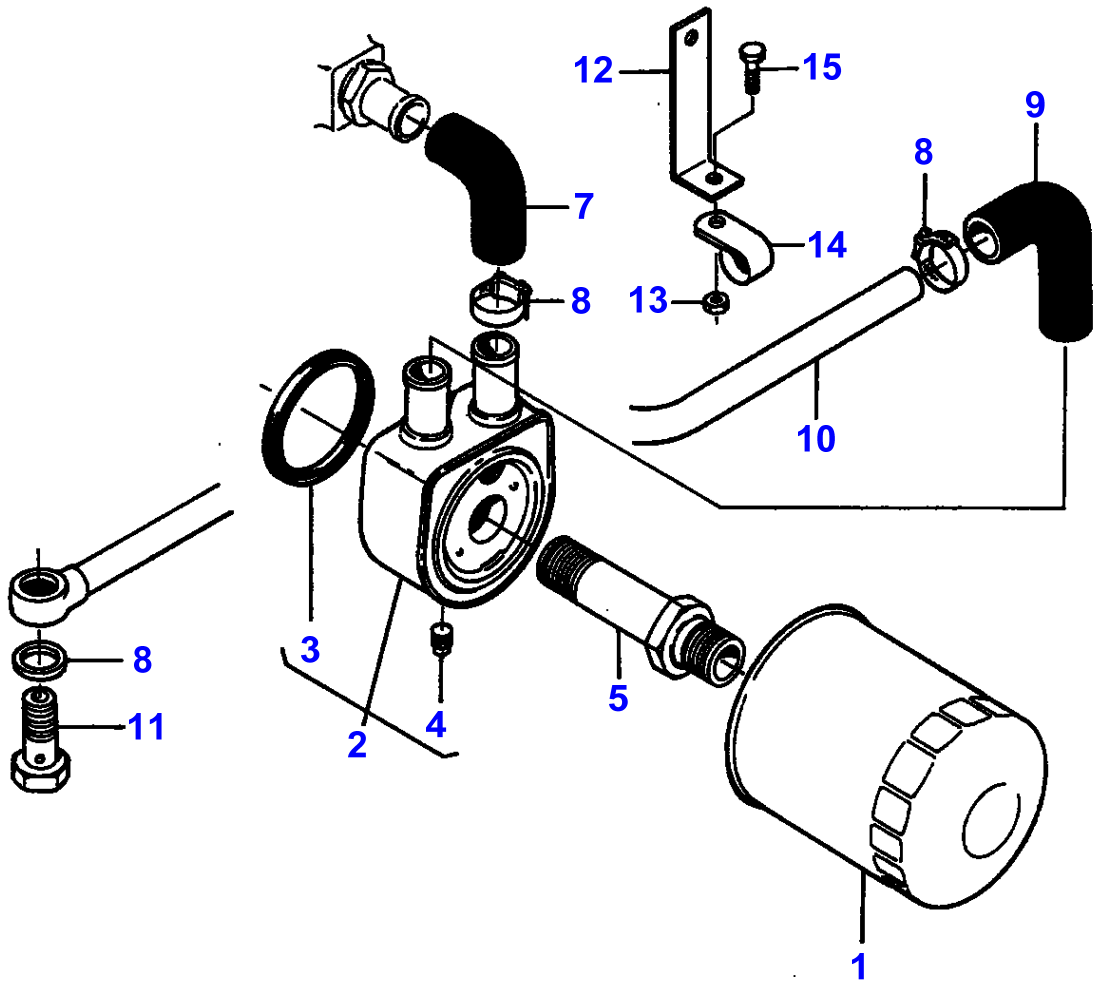
Item	Part Number	Qty	Description	Comments
				FROM NO C146006
1	3637653M91	1	Oil Pump	
2	V504861000	1	Nut	(1)
3	V836122910	1	Washer	(1)
4	V836338667	1	Gear	(1)
5	V836338186	1	Housing	(1)
6	V836322909	1	Bush	(5)
7	V836322906	1	Shaft	(5)
8	V836338182	1	Gear	(1)
9	V836338188	1	Gasket	(1)
10	V836338184	1	Cover	(1)
11	V836322909	1	Bush	(10)
12	V581804600	4	Screw	(1)
13	V581804600	8	Screw	
14	V836852299	1	Pipe	
15	V836008449	2	Gasket	
16	V836338613	1	Strainer	
17	V836338201	1	Gasket	
18	V836007871	X	Shim	
19	V836338180	1	Gear	(1)
20	V836322909	2	Bush	(19)
21	V581805050	2	Screw	

1-LA12-006



Item	Part Number	Qty	Description	Comments
				UP TO NO C146005
1	V836338346	1	Oil Cooler	
2	V836339063	1	Body	(1)
3	V836339061	2	O Ring	(1)
4	V836340636	1	Tube	(1)
5	V836339395	1	Cover	(1)
6	V836338495	1	Support	
7	V581804620	10	Screw	
8	V836329496	2	Hose	
9	V602087528	4	Clamp	
10	V836338513	1	Filter Head	
11	V836338512	1	Union	(10)
12	3637652M1	1	Oil Filter	
13	V836338530	1	Pipe	
14	V581804600	2	Screw	
15	V836328010	1	Gasket	
16	V836347905	1	Tube	
17	V528801360	2	Screw	
18	V602074620	1	Clamp	
19	V640475020	1	Union	
20	V836338514	1	Support	
21	V640025010	1	Plug	
22	V615892732	1	O Ring	
23	V500950602	3	Washer	(1)
24	V528801062	3	Screw	(1)
25	V614601930	4	O Ring	
26	V528800752	2	Screw	(1) Repairs and replaces V528800740
27	V500450502	1	Washer	(1)
28	V500150532	1	Washer	(1)

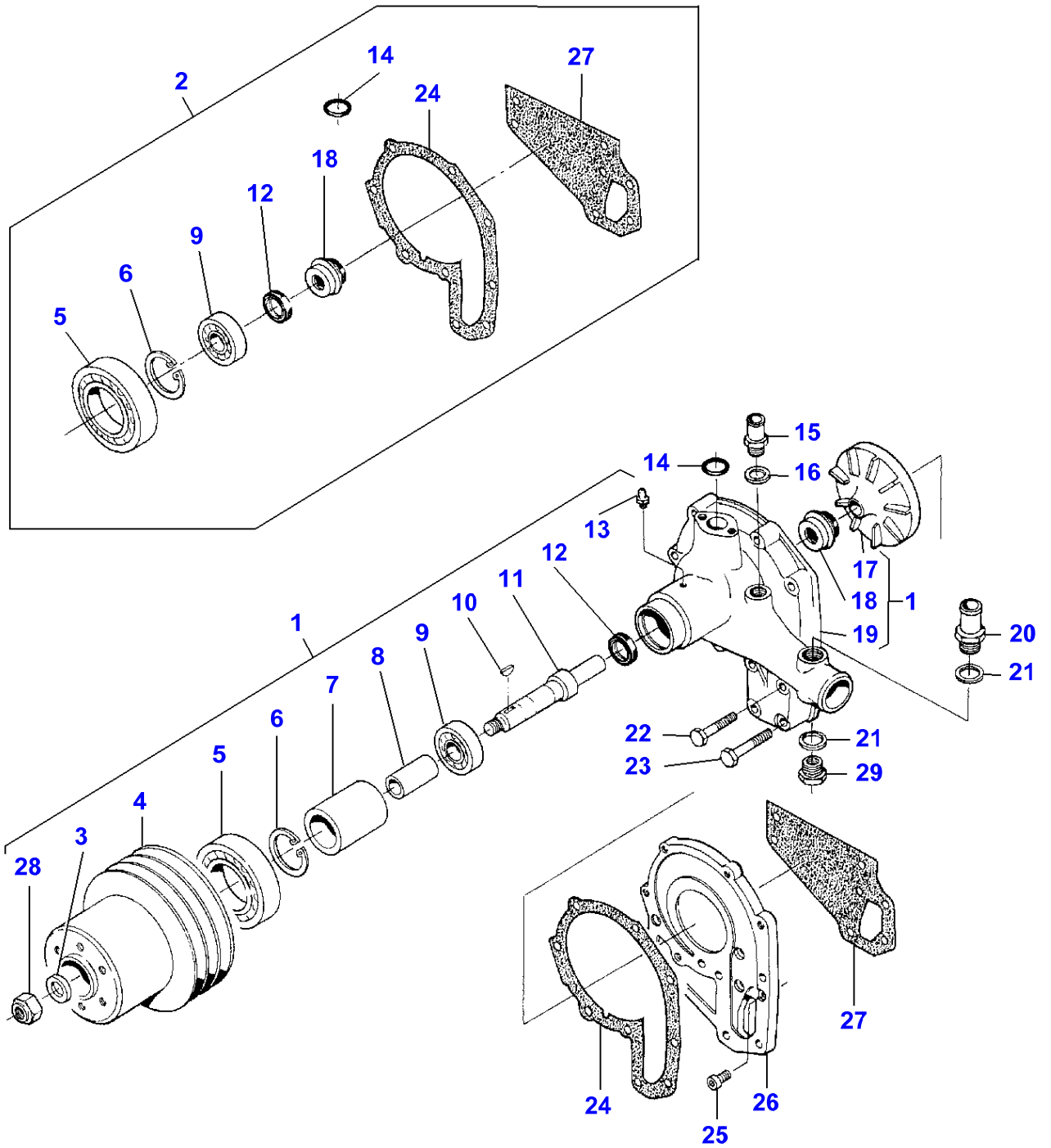
1-LA12-004



MASSEY FERGUSON**MF 3690 TRACTOR - 1637223****1637223****LUBRICATING OIL COOLER AND FILTER - FROM NO C146006****28**

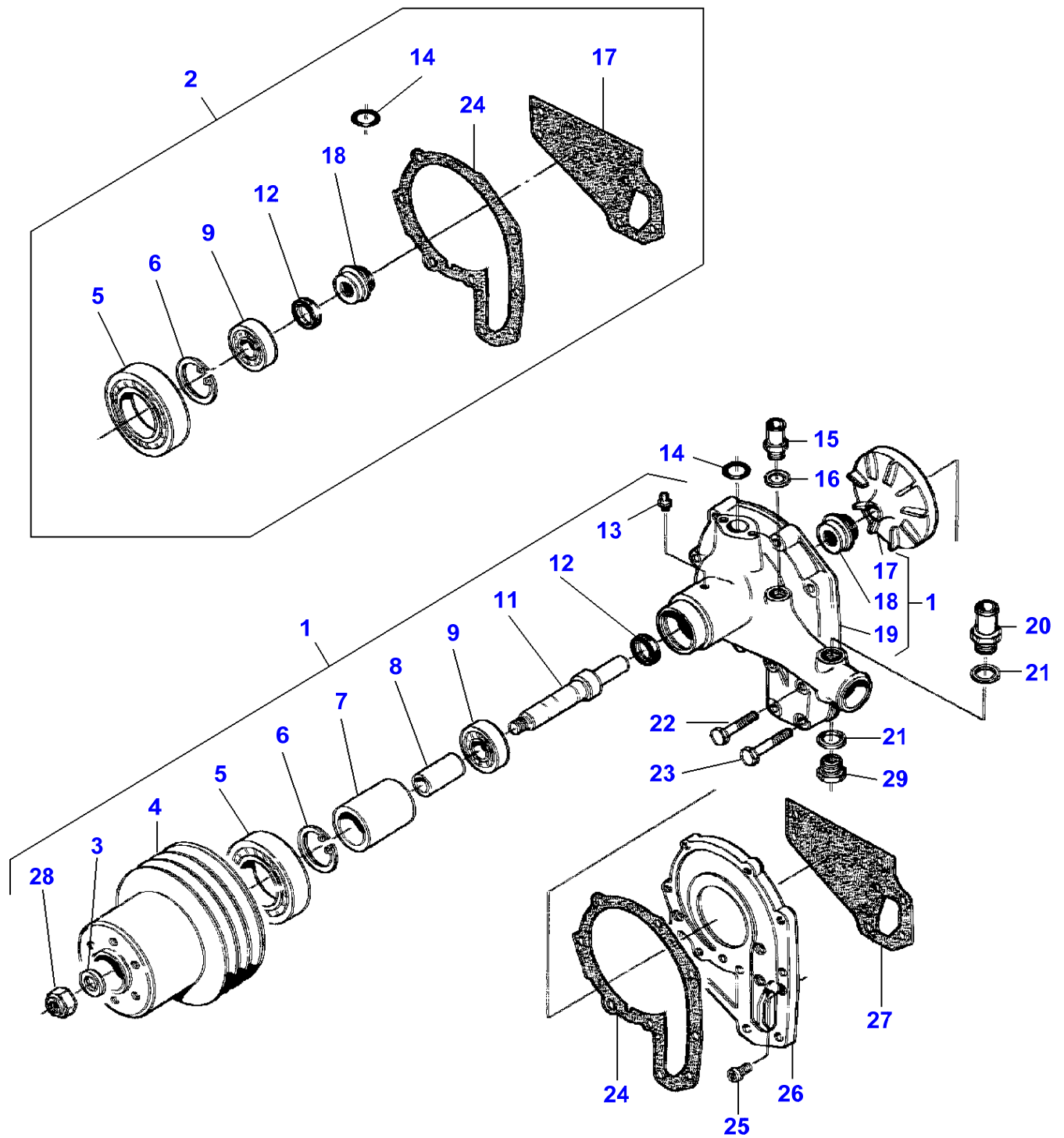
Item	Part Number	Qty	Description	Comments
				FROM NO C146006
1	V836647133	1	Filter	
2	V836129315	1	Oil Cooler	
3	V835331586	1	Ring	(2)
4	V640025006	1	Plug	(2) Repairs and replaces V836131366
5	V836647405	1	Union	
6	V602079516	4	Clamp	
7	V836747124	1	Hose	
8	V615881822	2	Seal	
9	V836129329	1	Hose	
10	V836847985	1	Tube	
11	V640435015	1	Screw	
12	V836847986	1	Support	
13	V504800800	1	Nut	
14	V602074615	1	Clamp	
15	V528801362	1	Screw	

1-LA13-004



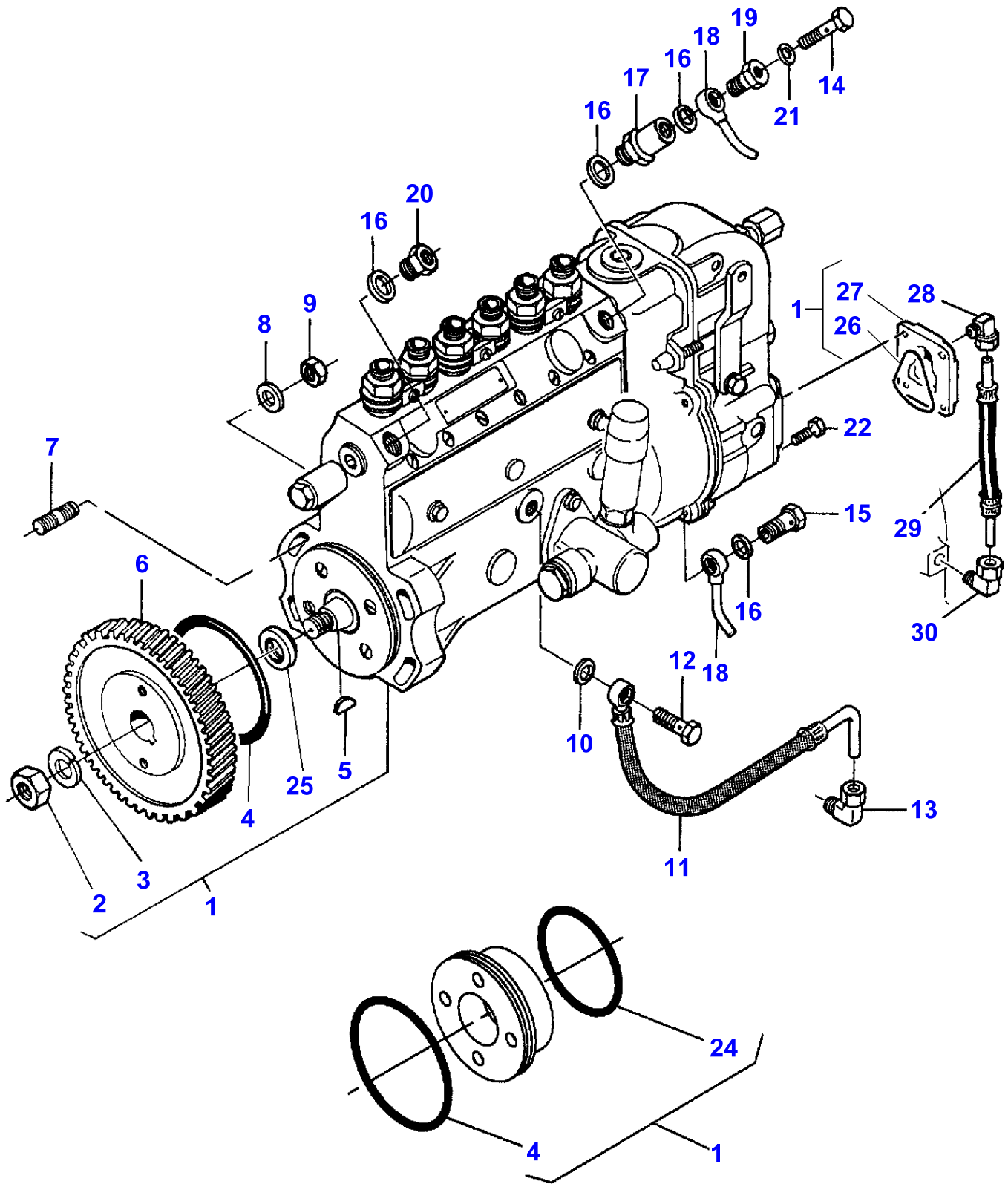
Item	Part Number	Qty	Description	Comments
				UP TO NO C146005
1	V836347902	1	Water Pump	
2	V836340257	1	Parts Pack	
3	V836122017	1	Washer	(1)
4	V836347904	1	Pulley	(1)
5	V610062134	1	Bearing Assy	(2)
6	V617330052	1	Circlip	(2)
7	V836336318	1	Sleeve	(1)
8	V836336317	1	Spacer	(1)
9	GT1159	1	Bear. 6304 Z	(2)
11	V836119259	1	Shaft	(1)
12	V614102636	1	Gasket	(2)
13	V644441006	1	Nipple	(1)
14	V614602930	1	O Ring	(2)
15	V836119837	1	Union	
16	V615881822	1	Seal	
17	V836336047	1	Impeller	(1)
18	V835331202	1	Seal	(2)
19	V836347903	1	Housing	(1)
20	V836338958	1	Union	
21	V615892732	1	O Ring	
22	V529801430	7	Screw	
23	V529801460	2	Screw	
24	V836338525	1	Gasket	(2)
25	V581804620	5	Screw	
26	V836847909	1	Housing	
27	V836846305	1	Gasket	(2)
28	V510611402	1	Nut	(1)
29	V836647984	1	Union	

1-LA13-006



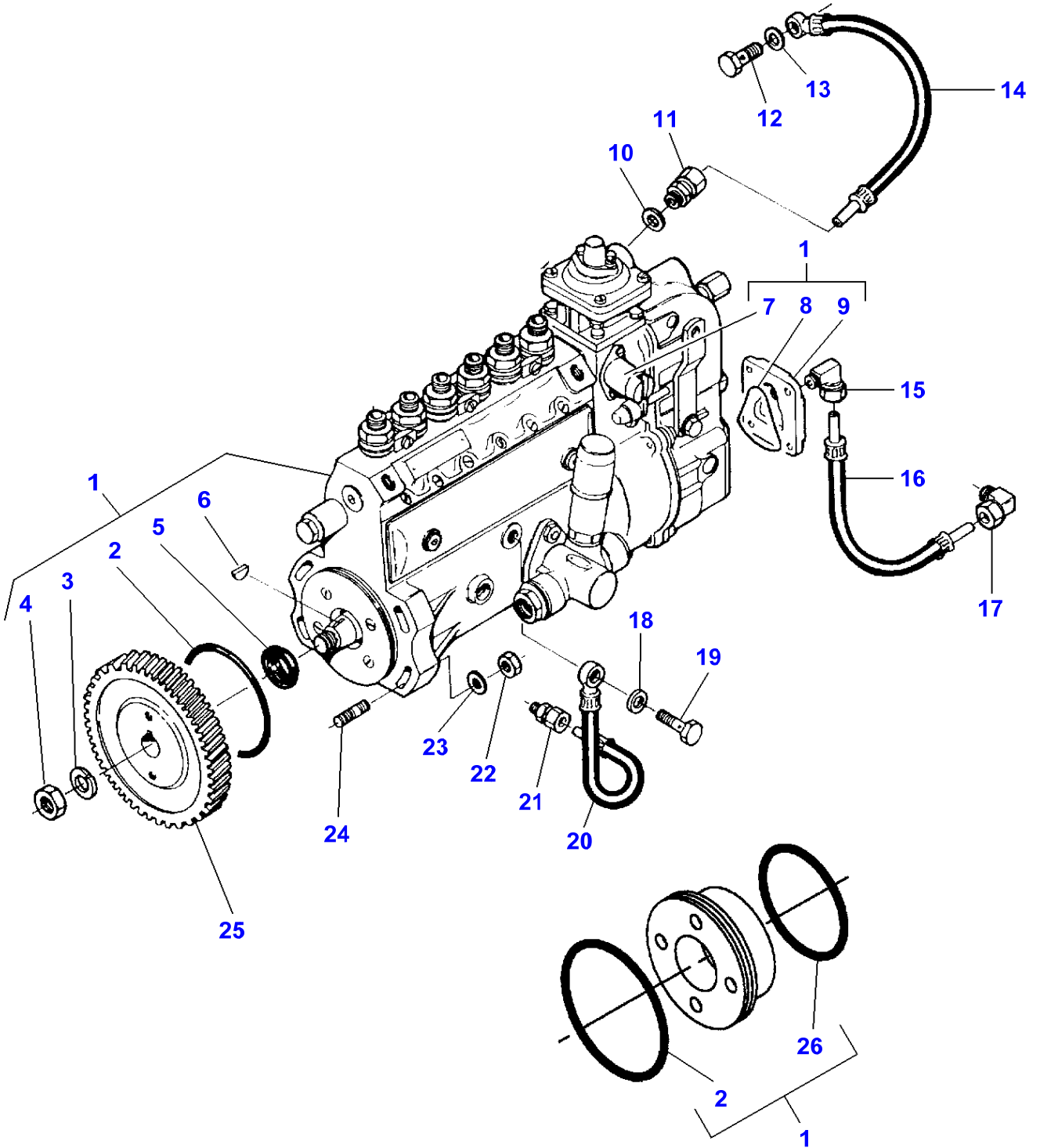
Item	Part Number	Qty	Description	Comments
				FROM NO C146006
1	V836347902	1	Water Pump	
2	V836340257	1	Parts Pack	
3	V836122017	1	Washer	(1)
4	V836347904	1	Pulley	(1)
5	V610062134	1	Bearing Assy	(2)
6	V617330052	1	Circlip	(2)
7	V836336318	1	Sleeve	(1)
8	V836336317	1	Spacer	(1)
9	GT1159	1	Bear. 6304 Z	(2)
10	V603305540	1	Key	(1)
11	V836119259	1	Shaft	(1)
12	V614102636	1	Gasket	(2)
13	V644441006	1	Nipple	(1)
14	V614602930	1	O Ring	(2)
15	V836119837	1	Union	
16	V615881822	1	Seal	
17	V836336047	1	Impeller	(1)
18	V835331202	1	Seal	(2)
19	V836347903	1	Housing	(1)
20	V836338958	1	Union	
21	V615892732	1	O Ring	
22	V529801430	7	Screw	
23	V529801460	2	Screw	
24	V836338525	1	Gasket	(2)
25	V581804620	5	Screw	
26	V836847909	1	Housing	
27	V836846305	1	Gasket	(2)
28	V510611402	1	Nut	(1)
29	V836647984	1	Union	

1-LA14-013



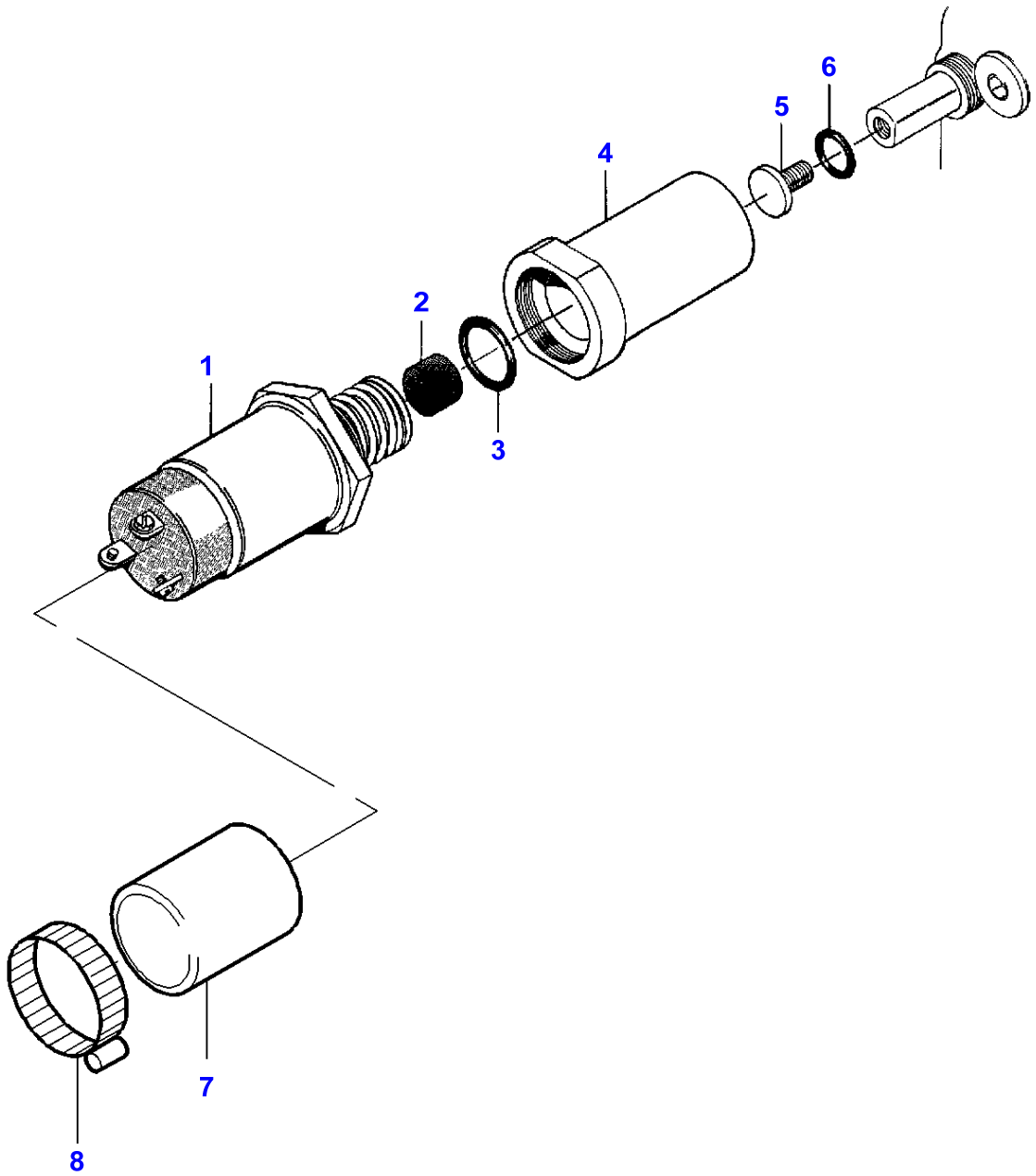
Item	Part Number	Qty	Description	Comments
				UP TO NO C146005
1	V836340160	1	Injection Pump	
2	V504611400	1	Nut	(1)
3	V500451402	1	Washer	(1)
4	V614607930	1	O Ring	(1)
5	V603305540	1	Key	(1)
6	V836129843	1	Gear	
7	V546801815	4	Stud	
8	V500151050	4	Washer	
9	V504601000	4	Nut	
10	V615571014	2	Seal	
11	V836346890	1	Hydr Hose	
12	V640435006	1	Screw	
13	V641166006	1	Elbow Nipple	
14	V640425005	1	Screw	
15	V640435010	1	Screw	
16	V615881420	6	Gasket	
17	V836330959	1	Valve	
18	V836336066	2	Exhaust Pipe	
19	V836007420	1	Screw	
20	V836336934	1	Union	
21	V615570812	3	Gasket	
22	V835340043	2	Screw	
24	V836640379	1	O Ring	(1)
25	V614102030	1	Seal	[A] (1) From Serial or Engine Number B109018
26	V835339026	1	Gasket	[A] (1) From Serial or Engine Number B109018
27	V835331499	1	Cover	[A] (1) From Serial or Engine Number B109018
28	V641166008	1	Elbow Nipple	[A] From Serial or Engine Number B109018
29	V836652940	1	Hydr Hose	[A] From Serial or Engine Number B109018
30	V641186008	1	Union	[A] From Serial or Engine Number B109018
				[A] RETURN OIL FROM INJECTION PUMP

1-LA14-014



Item	Part Number	Qty	Description	Comments
				FROM NO C146006
1	V836854524	1	Injection Pump	
2	V614607930	1	O Ring	(1)
3	V500451402	1	Washer	(1)
				Repairs and replaces V500451400
4	V504611400	1	Nut	(1)
5	V614102030	1	Seal	(1)
6	V603305540	1	Key	(1)
7	V836139973	1	Solenoid	(1)
8	V835339026	1	Gasket	(1)
9	V835331499	1	Cover	(1)
10	V615881216	2	Gasket	
11	V641086008	1	Valve	
12	V640435008	1	Screw	
13	V615881216	1	Gasket	
14	V836852301	1	Exhaust Pipe	
15	V641166008	1	Elbow Nipple	
16	V836852705	1	Exhaust Pipe	
17	V641176008	1	Elbow Nipple	
18	V615571014	2	Seal	
19	V640435006	1	Screw	
20	V835346666	1	Pipe	
21	V641086006	1	Connection	
22	V504601000	4	Nut	
23	V500151050	4	Washer	
24	V546801815	4	Stud	
25	V836129843	1	Gear	
26	V836640379	1	O Ring	(1)

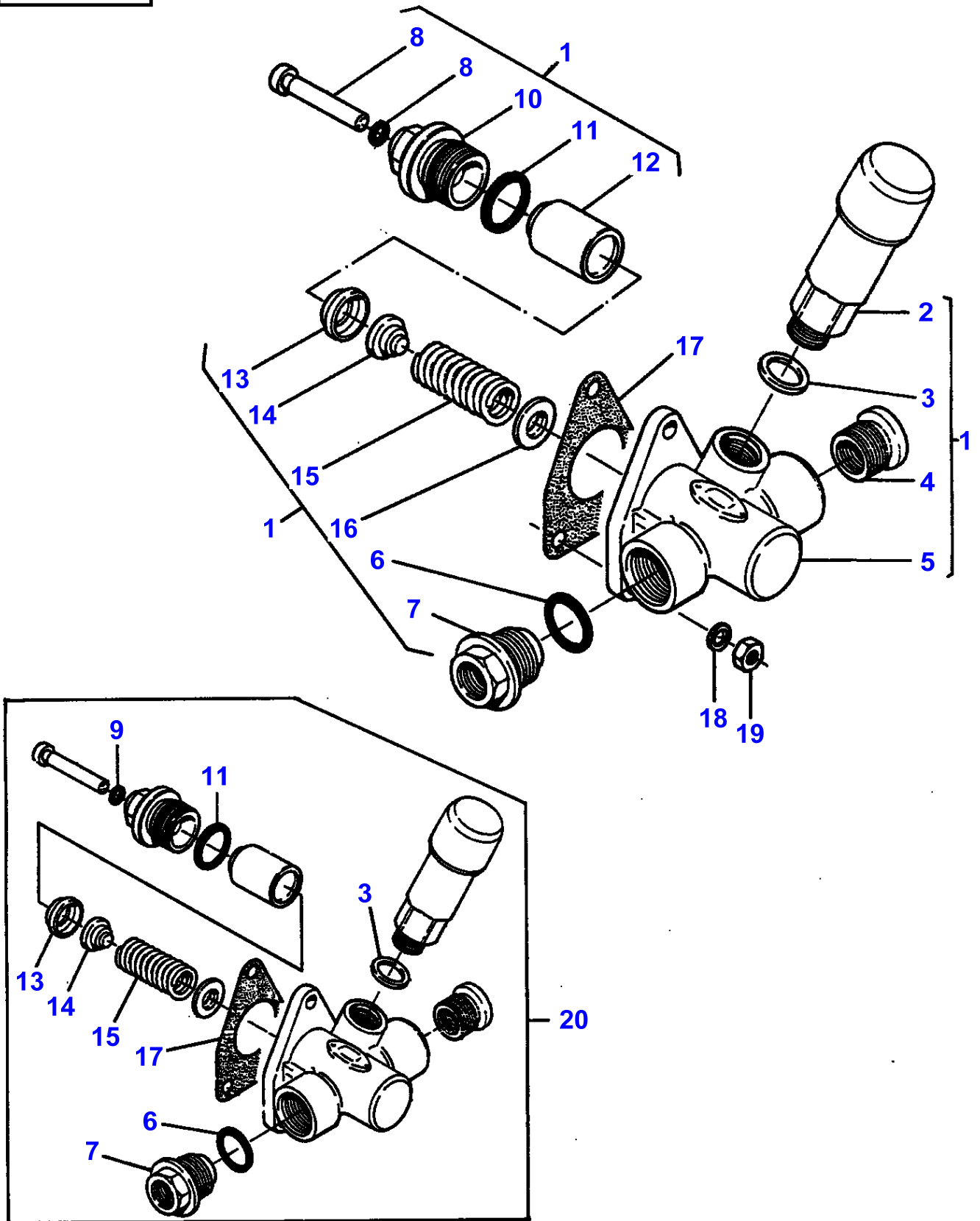
1-LA25-500-A



STOP MAGNET

Item	Part Number	Qty	Description	Comments
1	V836640253	1	Solenoid	
2	V836647962	1	Rubber	
3	V614601924	1	O Ring	
4	V836647961	1	Body	
5	V836647960	1	Screw	
6	V614600824	1	O Ring	Up to Serial or Engine Number C5403
	V614601024	1	O Ring	From Serial or Engine Number C5404
7	3715360M1	1	Helmet	
8	3619622M1	1	Tie	

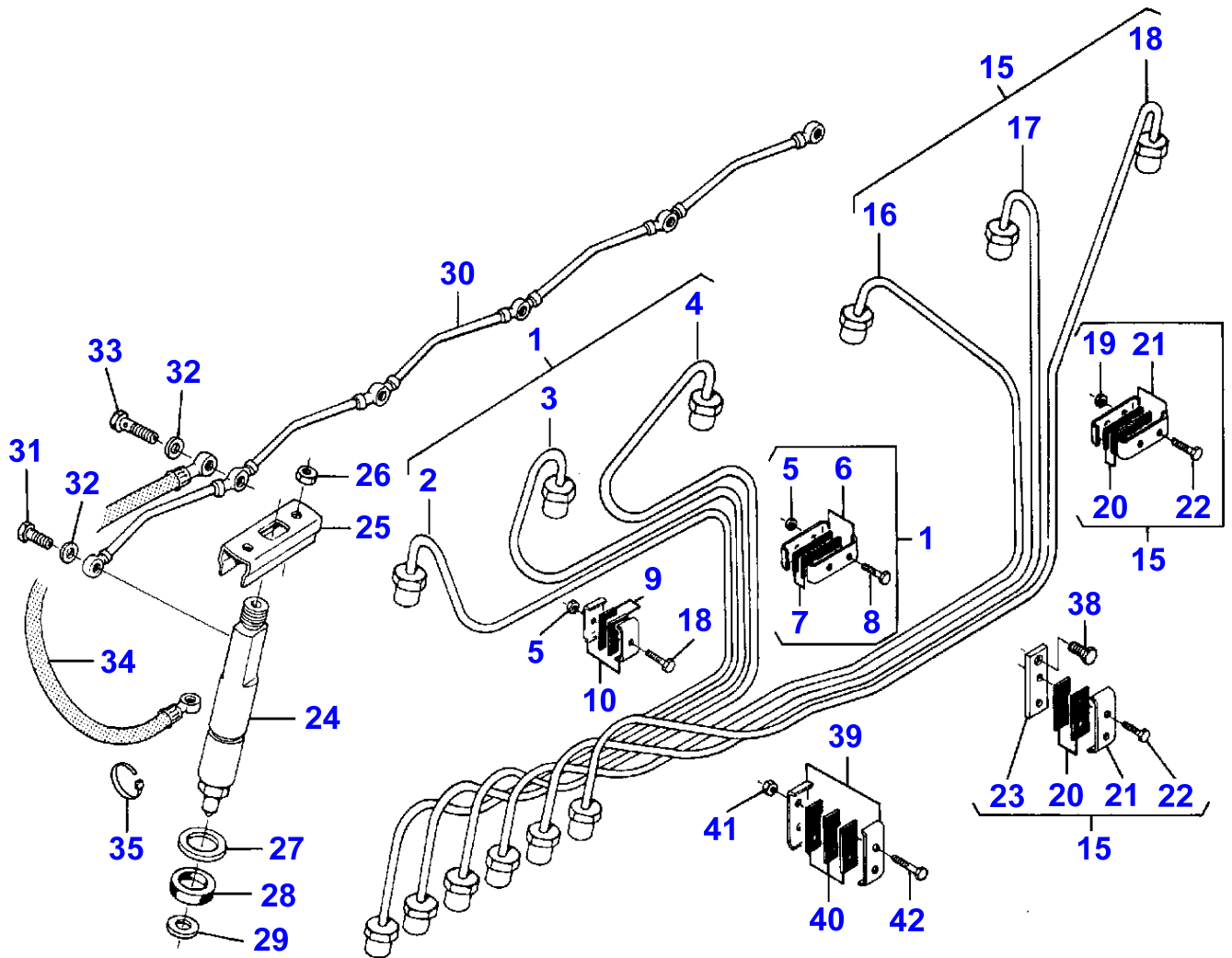
1-LA15-004



FEED PUMP

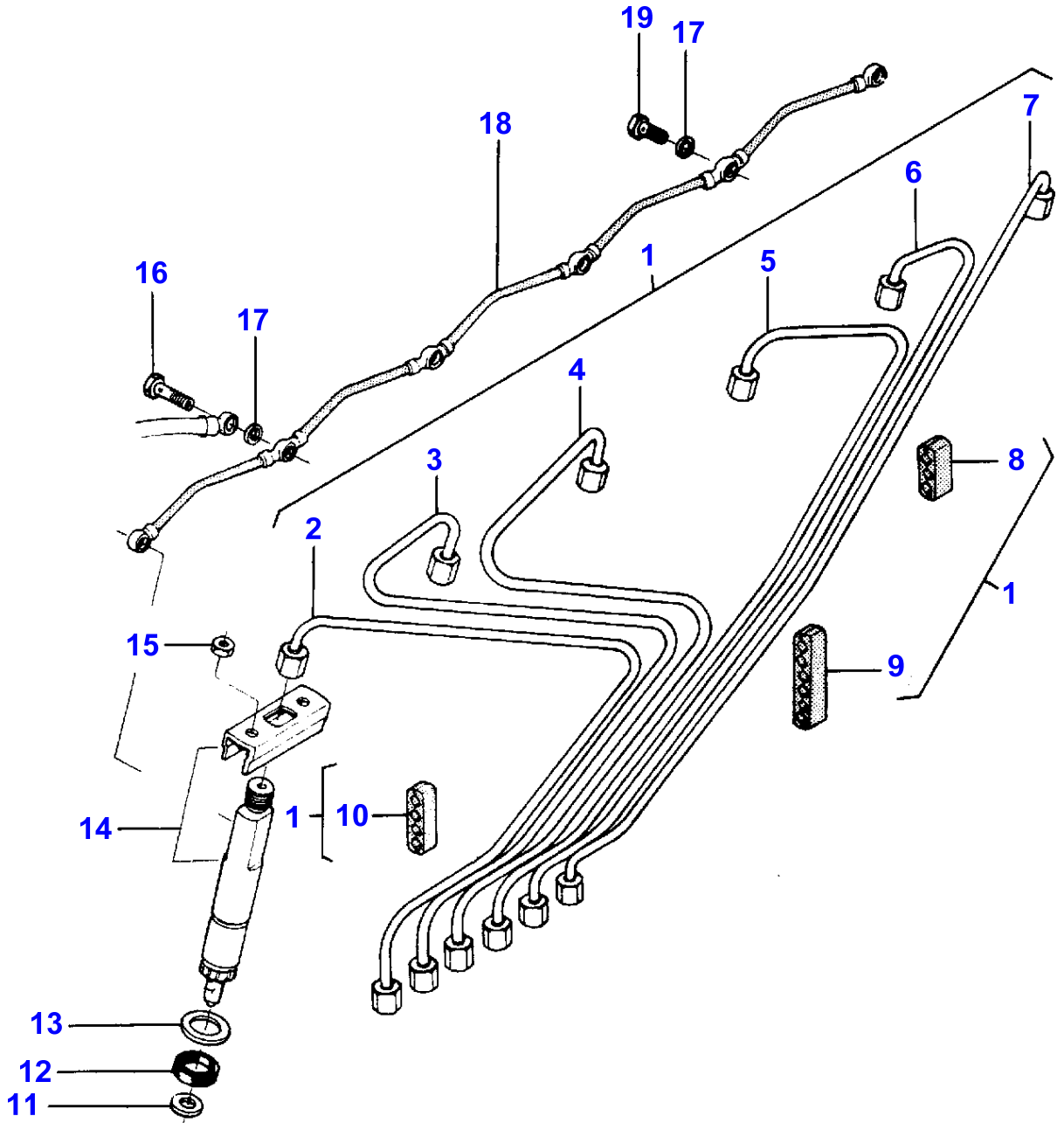
Item	Part Number	Qty	Description	Comments
1	3637646M91	1	Pump	
2	V835339884	1	Pump	(1)
3	V615881620	1	Seal	(1)
4	V835340019	1	Union	(1)
5	V835340018	1	Housing	(1)
6	V835340021	1	O Ring	(1)
7	V835340020	1	Union	(1)
8	V835339874	1	Pin	(1)
9	V836139015	1	O Ring	(1)
10	V835339875	1	Body	(1)
11	V835339876	1	O Ring	(1)
12	V835339877	1	Plunger	(1)
13	V835339882	1	Gasket	(1)
14	V835339880	2	Pressure Valve	(1)
15	V835339878	1	Spring	(1)
16	V835339879	2	Washer	(1)
17	V836329194	1	Gasket	
18	V500450602	3	Washer	
19	V504600602	3	Nut	
20	V836640099	X	Kit, Repair	

1-LA16-003



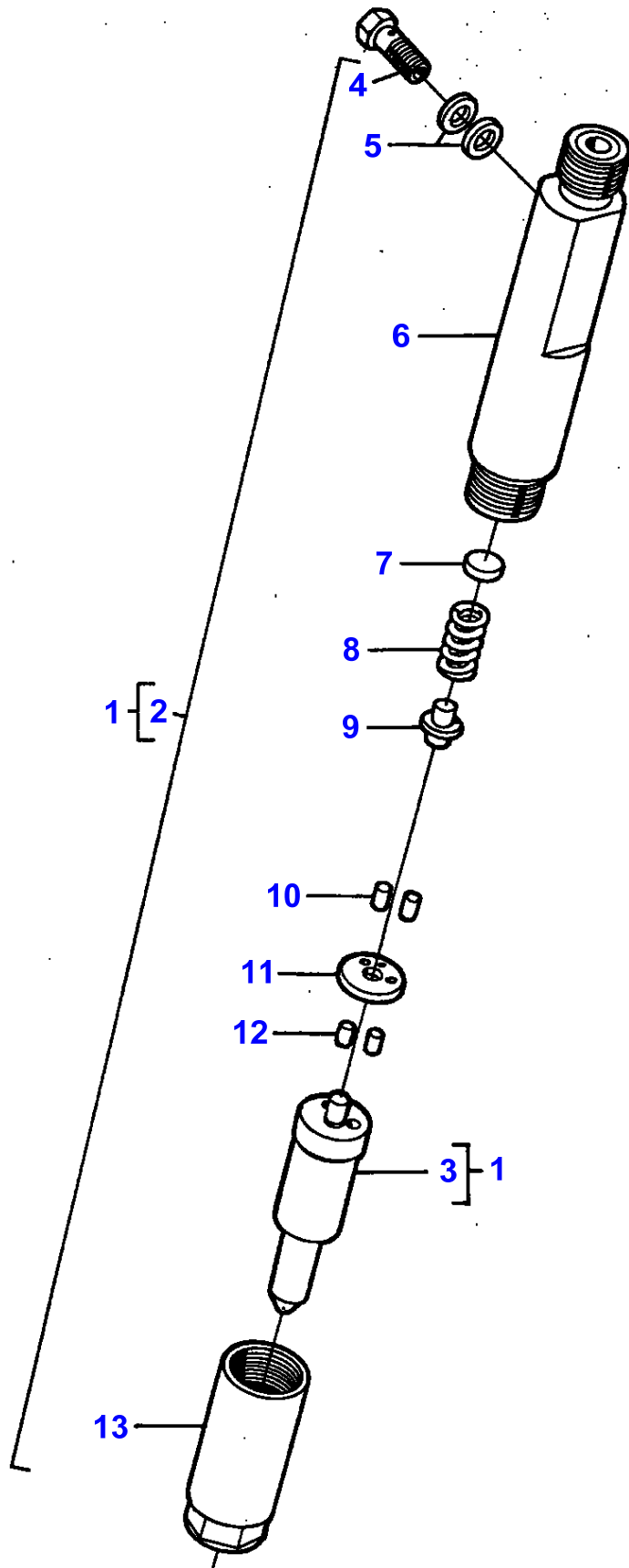
Item	Part Number	Qty	Description	Comments
				UP TO NO C146005
1	V836346067	1	Kit, Pipe	
2	V836346061	1	Injection Pipe	(1) CYL. N 1
3	V836346062	1	Injection Pipe	(1) CYL. N 2
4	V836346063	1	Injection Pipe	(1) CYL. N 3
5	V504600502	5	Nut	(1)
6	V836324446	4	Holding Fixture	(1)
7	V836324443	4	Rubber Strap	(1)
8	V528800802	5	Screw	(1) Repairs and replaces V528800800
9	V836324442	2	Spacer	(1)
10	V836324445	2	Clamp	(1)
15	V836346068	1	Kit, Pipe	
16	V836346064	1	Injection Pipe	(15) CYL. N 4
17	V836346065	1	Injection Pipe	(15) CYL. N 5
18	V836346066	1	Injection Pipe	(15) CYL. N 6
19	V504600502	2	Nut	(15)
20	V836324443	4	Rubber Strap	(15)
21	V836324446	3	Holding Fixture	(15)
22	V528800802	4	Screw	(15) Repairs and replaces V528800800
23	V836336921	1	Support	(15)
24	3637644M91	6	Atomiser	
25	V835331103	6	Retainer	
26	V504800800	12	Nut	
27	V835336275	6	Washer	
28	V835336276	6	Seal	
29	V899901495	6	Washer	
30	V836355330	1	Tube	Repairs and replaces V836336925
31	V835331289	5	Screw	
32	V615870710	13	Seal	
33	V835336943	1	Screw	
34	V835346776	1	Exhaust Pipe	
35	V835329746	2	Clamp	
38	V528801740	1	Screw	
39	V836324446	2	Holding Fixture	
40	V836324443	3	Rubber Strap	
41	V504600502	2	Nut	
42	V529800822	2	Screw	

1-LA16-004



Item	Part Number	Qty	Description	Comments
				FROM NO C146006
1	V836852330	1	Kit, Pipe	
2	V836840647	1	Injection Pipe	(1) CYL. N 1
3	V836840648	1	Injection Pipe	(1) CYL. N 2
4	V836840649	1	Injection Pipe	(1) CYL. N 3
5	V836840650	1	Injection Pipe	(1) CYL. N 4
6	V836840651	1	Injection Pipe	(1) CYL. N 5
7	V836840652	1	Injection Pipe	(1) CYL. N 6
8	V836640095	2	Clamp	(1)
9	V836640097	1	Clamp	(1)
10	V836640096	1	Clamp	(1)
11	V899901495	6	Washer	
12	V835336276	6	Seal	
13	V836652170	6	Washer	
14	V836639956	6	Atomiser	See Page - Reference Number 38/
15	V504800800	12	Nut	
16	V835336943	1	Screw	
17	V615870610	13	Seal	
18	V836847522	1	Pipe	
19	V835331289	5	Screw	

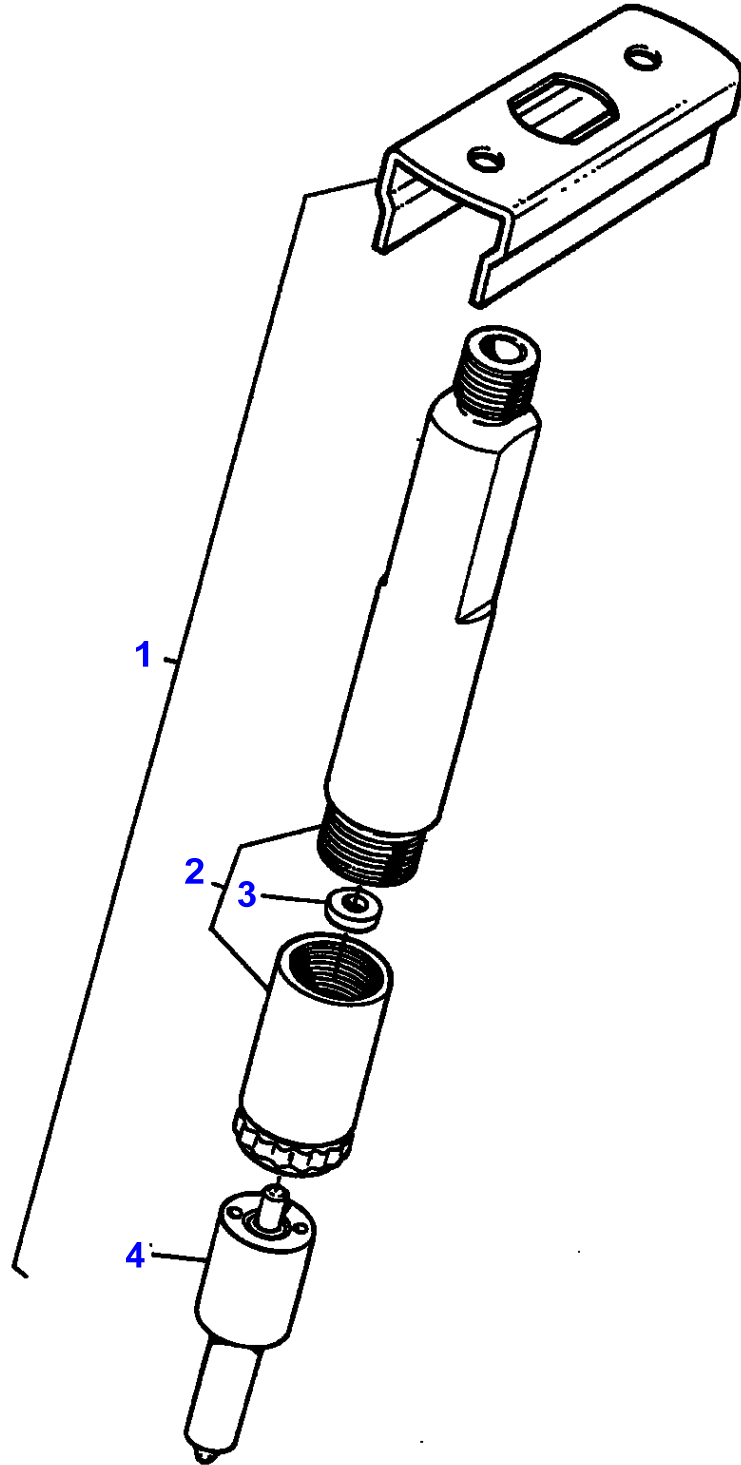
1-LA17-002



INJECTOR - UP TO NO C146005

Item	Part Number	Qty	Description	Comments
				UP TO NO C146005
1	3637644M91	1	Atomiser	
2		1	Holder	(1) Not serviced, order REF 1
3	3637645M1	1	Nozzle	(1)
4	V835331289	1	Screw	(1)
5	V615870610	2	Seal	(1)
6		1	Body	(1) Not serviced, order REF 1
7	V835339235	X	Shim	Thickness 1,00MM
	V835339236	X	Shim	Thickness 1,02MM
	V835339237	X	Shim	Thickness 1,04MM
	V835339238	X	Shim	Thickness 1,06MM
	V835339239	X	Shim	Thickness 1,08MM
	V835339240	X	Shim	Thickness 1,10MM
	V835339241	X	Shim	Thickness 1,12MM
	V835339242	X	Shim	Thickness 1,14MM
	V835339243	X	Shim	Thickness 1,16MM
	V835339244	X	Shim	Thickness 1,18MM
	V835339245	X	Shim	Thickness 1,20MM
	V835339246	X	Shim	Thickness 1,22MM
	V835339247	X	Shim	Thickness 1,24MM
	V835339248	X	Shim	Thickness 1,26MM
	V835339249	X	Shim	Thickness 1,28MM
	V835339250	X	Shim	Thickness 1,30MM
	V835339251	X	Shim	Thickness 1,32MM
	V835339252	X	Shim	Thickness 1,34MM
	V835339253	X	Shim	Thickness 1,36MM
	V835339254	X	Shim	Thickness 1,38MM
	V835339255	X	Shim	Thickness 1,40MM
	V835339256	X	Shim	Thickness 1,42MM
	V835339257	X	Shim	Thickness 1,44MM
	V835339258	X	Shim	Thickness 1,46MM
	V835339259	X	Shim	Thickness 1,48MM
	V835339260	X	Shim	Thickness 1,50MM
	V835339261	X	Shim	Thickness 1,52MM
	V835339262	X	Shim	Thickness 1,54MM
	V835339263	X	Shim	Thickness 1,56MM
	V835339264	X	Shim	Thickness 1,58MM
	V835339265	X	Shim	Thickness 1,60MM
	V835339266	X	Shim	Thickness 1,62MM
	V835339267	X	Shim	Thickness 1,64MM
	V835339268	X	Shim	Thickness 1,66MM
	V835339269	X	Shim	Thickness 1,68MM
	V835339270	X	Shim	Thickness 1,70MM
	V835339271	X	Shim	Thickness 1,72MM
	V835339272	X	Shim	Thickness 1,74MM
	V835339273	X	Shim	Thickness 1,76MM
	V835339274	X	Shim	Thickness 1,78MM
	V835339275	X	Shim	Thickness 1,80MM
	V835339276	X	Shim	Thickness 1,82MM
	V835339277	X	Shim	Thickness 1,84MM
	V835339278	X	Shim	Thickness 1,86MM
	V835339279	X	Shim	Thickness 1,88MM
	V835339280	X	Shim	Thickness 1,90MM
	V835339281	X	Shim	Thickness 1,92MM
	V835339282	X	Shim	Thickness 1,94MM
	V835339283	X	Shim	Thickness 1,96MM
	V835339284	X	Shim	Thickness 1,98MM
8	V835331283	1	Spring	(1)
9	V835331284	1	Pin	(1)
10	V835331286	2	Clevis Pin	(1)
11	V835331285	2	Distance Piece	(1)
12	V835331287	2	Clevis Pin	(1)
13	V835331288	1	Body	(1)

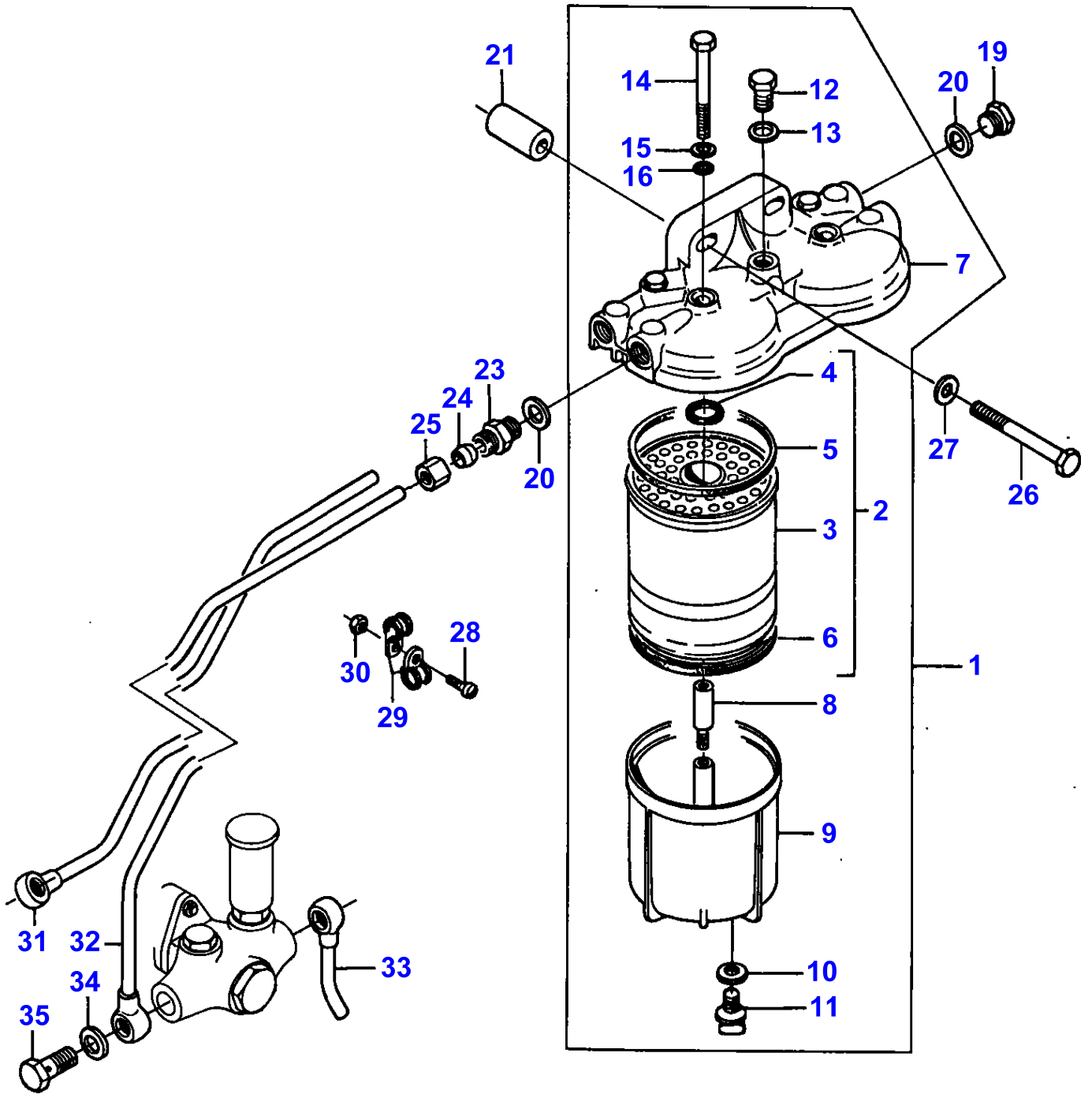
1-LA17-004



INJECTOR - FROM NO C146006

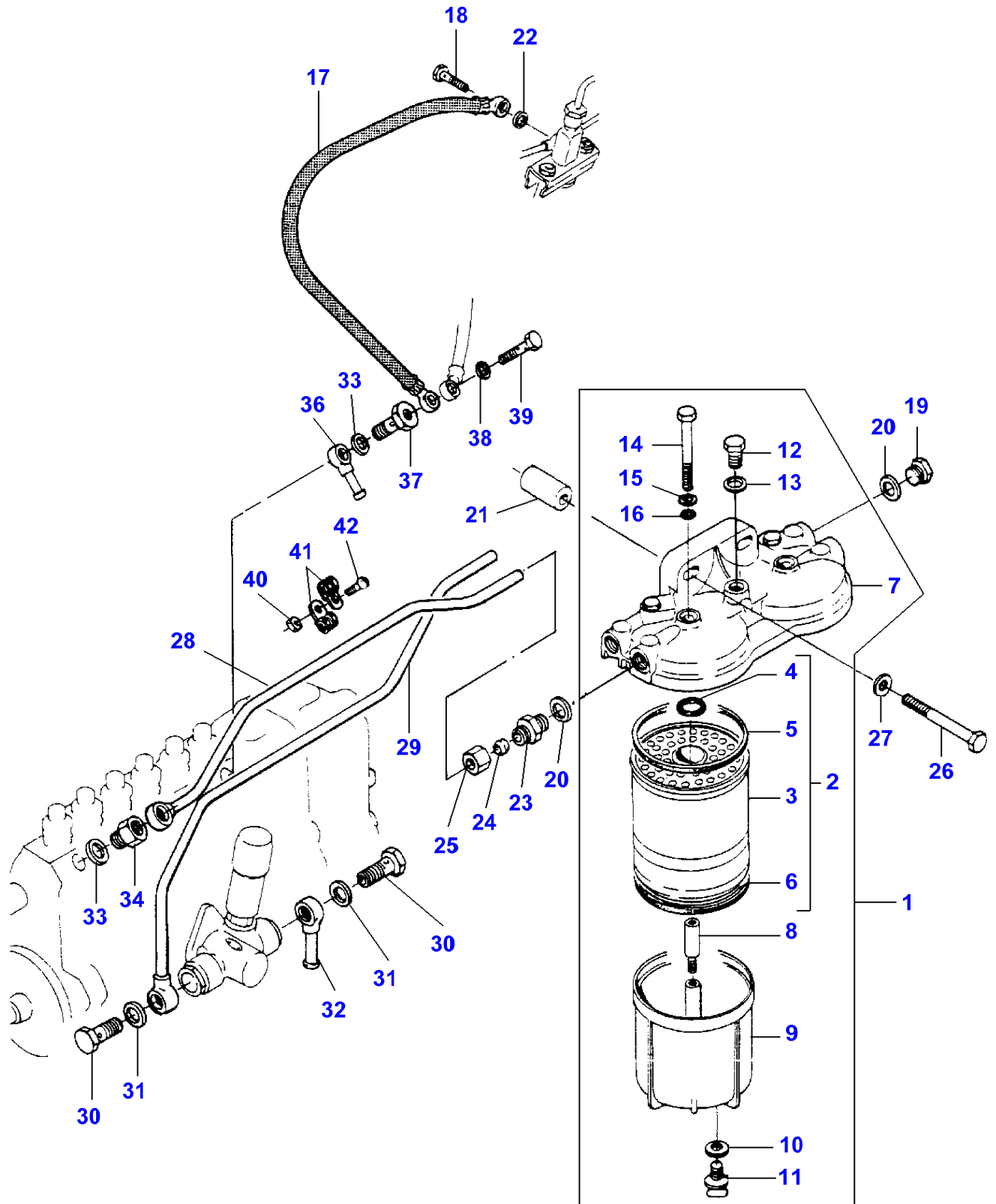
Item	Part Number	Qty	Description	Comments
				FROM NO C146006
1	V836639956	1	Atomiser	
2		1	Body	(1)
				Not serviced, order REF 1
3	V836640104	X	Chock	(1)
				Thickness 1,00 MM
3	V836640105	X	Chock	(1)
				Thickness 1,05 MM
3	V836640106	X	Chock	(1)
				Thickness 1,10 MM
3	V836640107	X	Chock	(1)
				Thickness 1,15 MM
3	V836640108	X	Chock	(1)
				Thickness 1,20 MM
3	V836640109	X	Chock	(1)
				Thickness 1,25 MM
3	V836640110	X	Chock	(1)
				Thickness 1,30 MM
3	V836640111	X	Chock	(1)
				Thickness 1,35 MM
3	V836640112	X	Chock	(1)
				Thickness 1,40 MM
3	V836640113	X	Chock	(1)
				Thickness 1,45 MM
3	V836640114	X	Chock	(1)
				Thickness 1,50 MM
3	V836640115	X	Chock	(1)
				Thickness 1,55 MM
3	V836640116	X	Chock	(1)
				Thickness 1,60 MM
3	V836640117	X	Chock	(1)
				Thickness 1,65 MM
3	V836640118	X	Chock	(1)
				Thickness 1,70 MM
3	V836640119	X	Chock	(1)
				Thickness 1,75 MM
3	V836640120	X	Chock	(1)
				Thickness 1,80 MM
3	V836640121	X	Chock	(1)
				Thickness 1,85 MM
3	V836640122	X	Chock	(1)
				Thickness 1,90 MM
4	V836639957	1	Nozzle	(1)

1- LA18-002



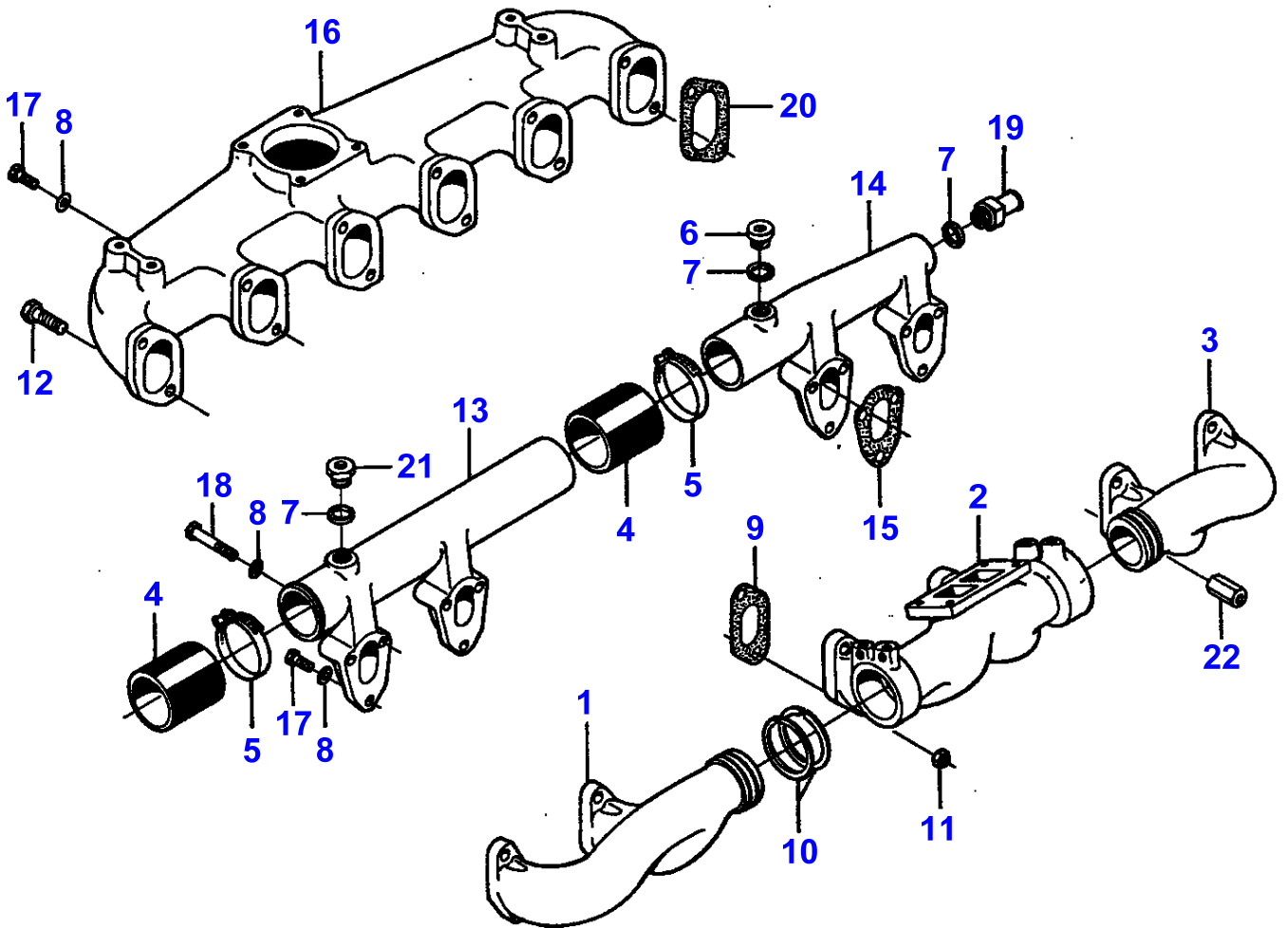
Item	Part Number	Qty	Description	Comments
				UP TO NO C146005
1	V836339370	1	Fuel Filter	
2	1896287M91	2	Fuel Element	(1)
3		1	Filter Insert	(2)
				Not serviced, order REF 2
4	V836015142	1	O Ring	(2)
5	V835330014	1	Gasket	(2)
6	V835330015	1	Gasket	(2)
7	V836015959	1	Cover	(1)
8	V836339372	2	Stud	(1)
9	V836340045	2	Bowl	(1)
10	V836015147	2	Gasket	(1)
11	V836015148	2	Plug	(1)
12	V836015958	1	Screw	(1)
13	V615571014	1	Seal	(1)
14	V836015149	2	Screw	(1)
15	V836015918	2	Washer	(1)
16	V836015919	2	O Ring	(1)
19	V836117323	2	Plug	
20	V615581317	3	Seal	
21	V836338607	2	Spacer	
23	V835329832	1	Union	
24	V641596010	1	Olive	
25	V641626010	1	Nut	
26	V528801910	2	Screw	
27	V500151050	2	Washer	
28	V572502582	2	Screw	
29	V602068610	4	Clamp	
30	V504600400	2	Nut	
31	V836346070	1	Pipe	
32	V836346069	1	Pipe	
33	V836336066	1	Exhaust Pipe	
34	V615881420	6	Gasket	Repairs and replaces V615881423
35	V640435010	3	Screw	

1-LA18-007



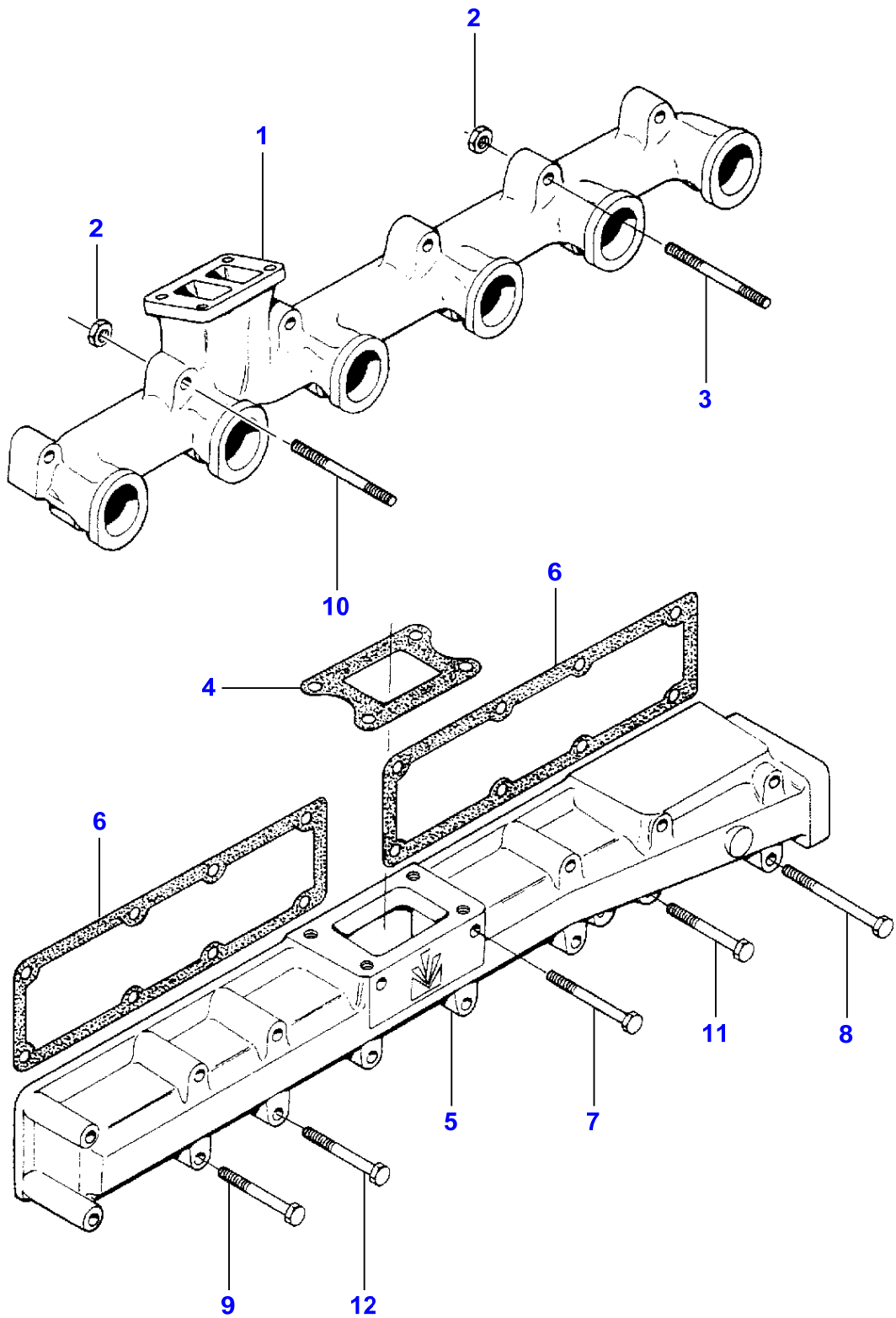
Item	Part Number	Qty	Description	Comments
				FROM NO C146006
1	V836339370	1	Fuel Filter	
2	1896287M91	1	Fuel Element	(1)
3		1	Filter Insert	(2)
				Not serviced, order REF 2
4	V836015142	2	O Ring	(2)
5	V835330014	1	Gasket	(2)
6	V835330015	1	Gasket	(2)
7	V836015959	1	Cover	(1)
8	V836339372	2	Stud	(1)
9	V836340045	2	Bowl	(1)
10	V836015147	2	Gasket	(1)
11	V836015148	2	Plug	(1)
12	V836015958	1	Screw	(1)
13	V615571014	1	Seal	(1)
14	V836015149	2	Screw	(1)
15	V836015918	2	Washer	(1)
16	V836015919	2	O Ring	(1)
17	V835346795	1	Hydr Hose	
18	V835336943	1	Screw	
19	V836117323	2	Plug	
20	V615581317	3	Seal	
21	V836338607	2	Spacer	
22	V615870610	1	Seal	
23	V835329832	1	Union	
24	V641596010	1	Olive	
25	V641626010	1	Nut	
26	V528801910	2	Screw	
27	V500151050	2	Washer	
28	V836852003	1	Exhaust Pipe	
29	V836852002	1	Exhaust Pipe	
30	V640435010	3	Screw	
31	V615881418	6	Seal	
32	V640255210	1	Pipe	
33	V615881420	4	Gasket	
34	V836336934	1	Union	
36	V640255210	1	Pipe	
37	V836652096	1	Screw	
38	V615570812	3	Gasket	
39	V640425005	1	Screw	
40	V504600402	1	Nut	
41	V602068610	2	Clamp	
42	V572502582	1	Screw	

1-LA19-002



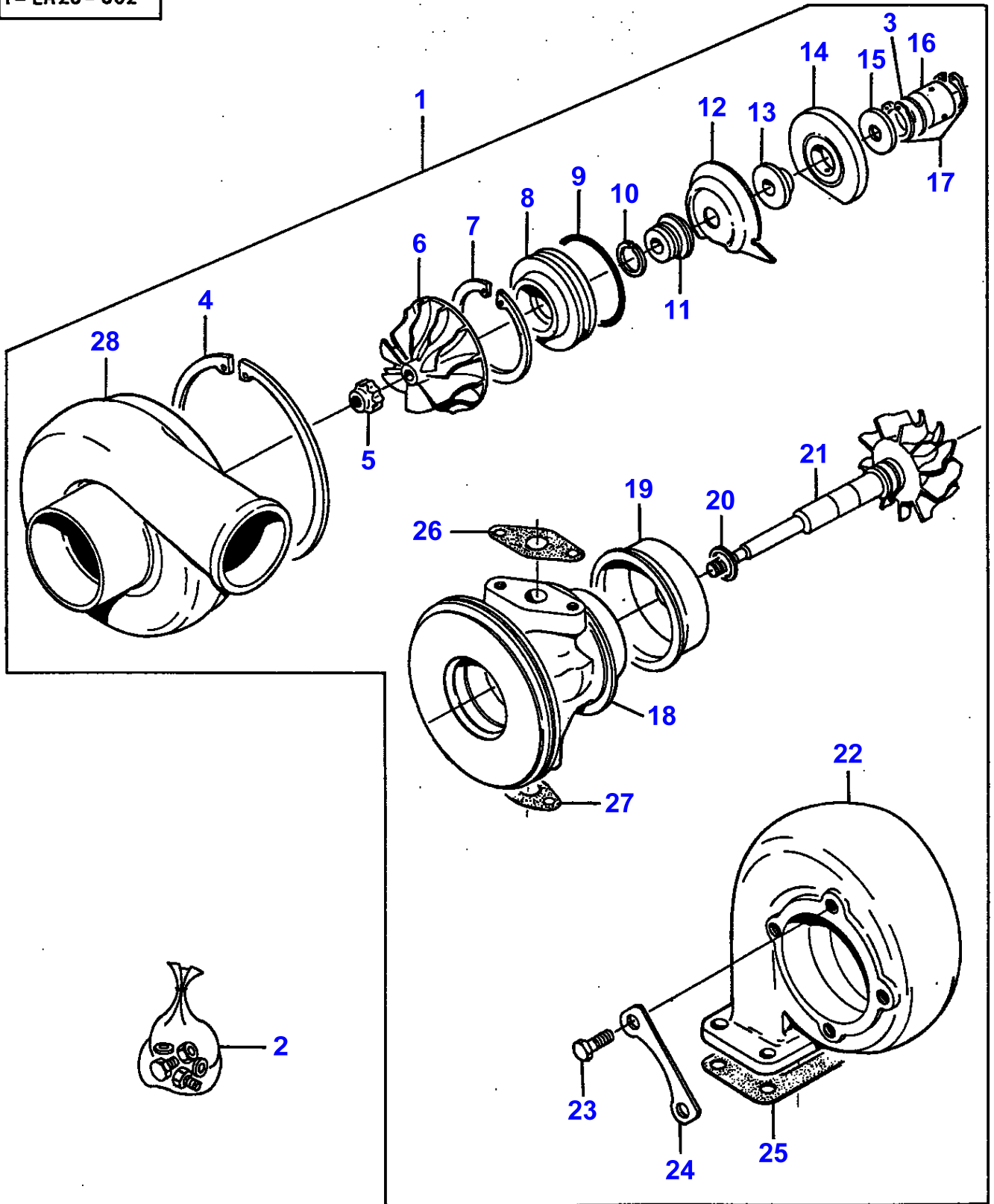
Item	Part Number	Qty	Description	Comments
				UP TO NO C146005
1	V836322794	1	Manifold	
2	V836338957	1	Exhaust Manifold	
3	V836322795	1	Manifold	
4	V836122248	2	Hose	
5	V602061668	4	Clamp	Repairs and replaces V602083550
6	V640325018	1	Plug	
7	V615881822	3	Seal	
8	V500950800	24	Washer	
9	V836122886	6	Joint	
10	V836316519	4	Segment	
11	V504601000	11	Nut	
12	V528801400	1	Screw	
13	V836322165	1	Manifold	
14	V836322166	1	Manifold	
15	V836322247	4	Joint	
16	V836322803	1	Tubing	
17	V528801380	15	Screw	
18	V529801460	8	Screw	
19	V836119837	1	Union	
20	V836006803	6	Joint	
21	V836124071	1	Plug	
22	V836020147	1	Nut	

1-LA19-005



Item	Part Number	Qty	Description	Comments
				FROM NO C146006
1	V836847886	1	Manifold	
2	V504601000	12	Nut	
3	V546801970	2	Stud	
4	V836847532	1	Gasket	
5	V836847493	1	Ind.Manifold	
6	V836847496	2	Gasket	
7	V529801530	3	Screw	
8	V529801562	2	Screw	
9	V529801510	9	Screw	
10	V546801960	10	Stud	
11	V529801500	1	Screw	
12	V529801470	1	Screw	

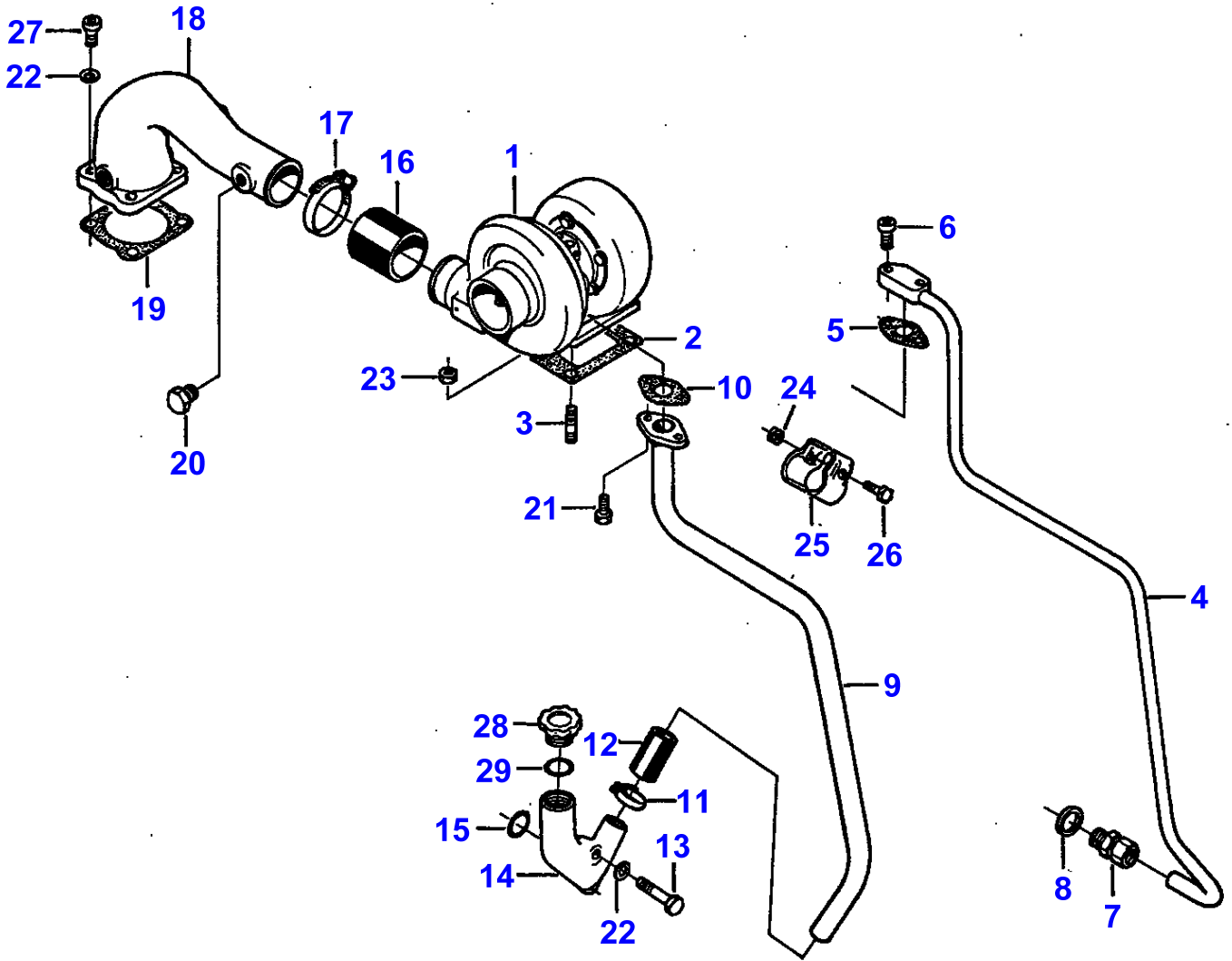
1- LA20- 002



TURBOCHARGER

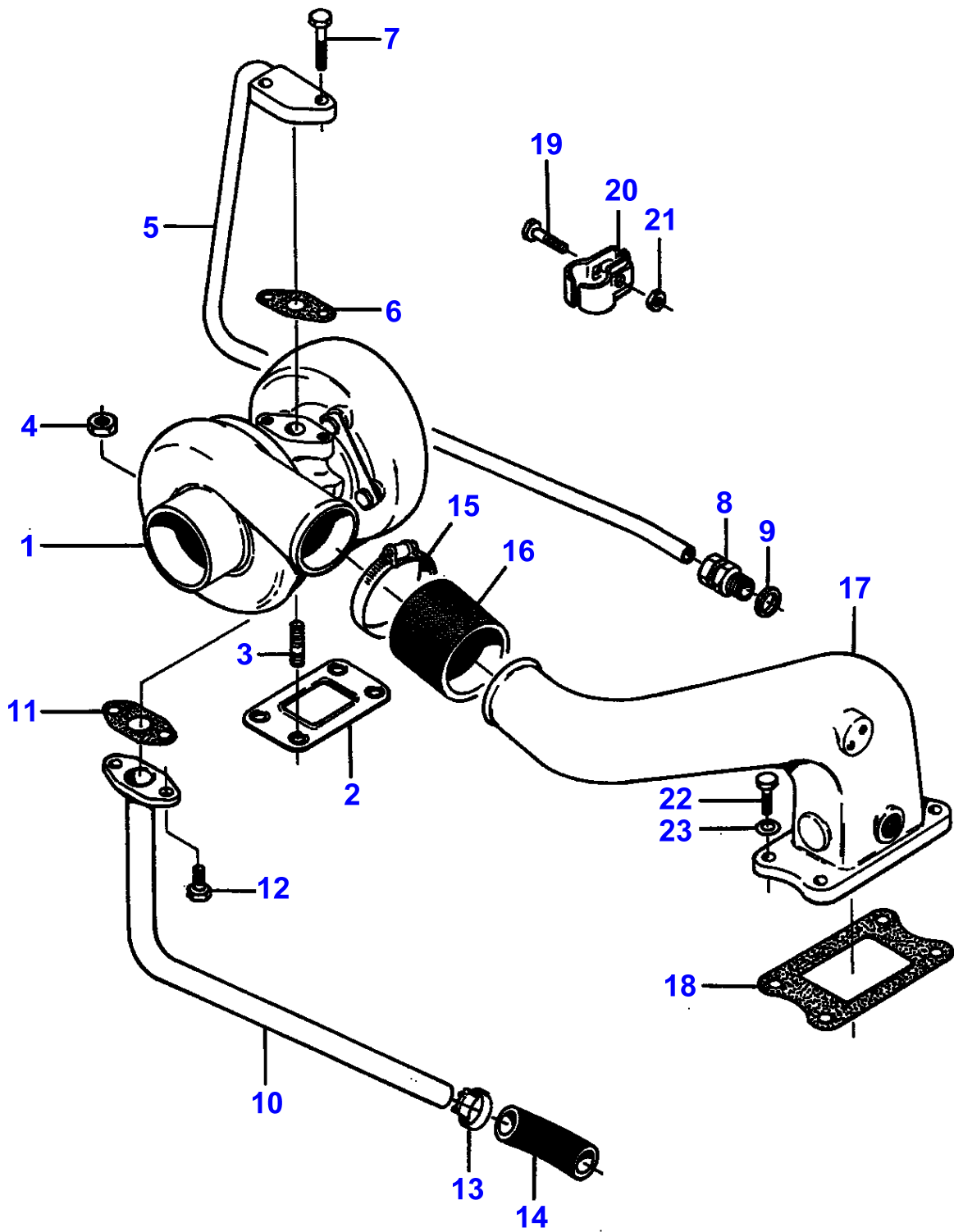
Item	Part Number	Qty	Description	Comments
1	V836339735	1	Turbocharger	
2	V836339803	1	Kit, Repair	
3	V836339801	1	Washer	(2)
4	V836131912	1	Clip	(1)
5	V836339787	1	Nut	(2)
6	V836339788	1	Compressor	(1)
7	V835339516	1	Clip	(1)
8	V835339512	1	Insert	(1)
9	V835339517	1	O Ring	(2)
10	V835339510	1	Piston Ring	(2)
11	V836339789	1	Flinger	(1)
12	V835339514	1	Deflector	(1)
13	V836339790	1	Collar	(2)
14	V836339791	1	Bearing	(2)
15	V836339792	1	Thrust Washer	(2)
16	V836339793	2	Bearing	(2)
17	V836339794	4	Circlip	(2)
18	V836339795	1	Housing	(1)
19	V836339796	1	Flange	(1)
20	V836339797	1	Circlip	(2)
21	V836339798	1	Turbine Wheel	(1)
22	V836339799	1	Housing	(1)
23	V836339802	4	Screw	(2)
24	V836339800	2	Plate	(1)
25	V836316726	1	Gasket	(2)
26	V836308344	1	Joint	(2) V845008344
27	V836324580	1	Joint	(2)
28	V836339786	1	Housing	(1)

1- LA21-002



Item	Part Number	Qty	Description	Comments
				UP TO NO C146005
1	V836339735	1	Turbocharger	See Page - Reference Number 43/
2	V836316726	1	Gasket	
3	V546801780	4	Stud	
4	V836338621	1	Pipe	
5	V836308344	1	Joint	V845008344
6	V581804630	2	Screw	
7	V641086012	1	Union	
8	V615881620	1	Seal	
9	V836338649	1	Pipe	
10	V836324580	1	Joint	
11	V602087528	2	Clamp	
12	V835324317	1	Hose	
13	V529801470	2	Screw	
14	V836338971	1	Manifold	
15	V614603230	1	O Ring	
16	V836119992	1	Hose Flexible	
17	V602061668	2	Clamp	
18	V836324886	1	Manifold	
19	V836324493	1	Joint	
20	V640305012	1	Plug	
21	V528801380	2	Screw	
22	V500950800	6	Washer	
23	V504601000	4	Nut	
24	V504600600	2	Nut	
25	V835324324	4	Clamp	
26	V529801112	2	Screw	
27	V581804620	4	Screw	
28	V836338733	1	Plug	
29	V614604740	1	O Ring	

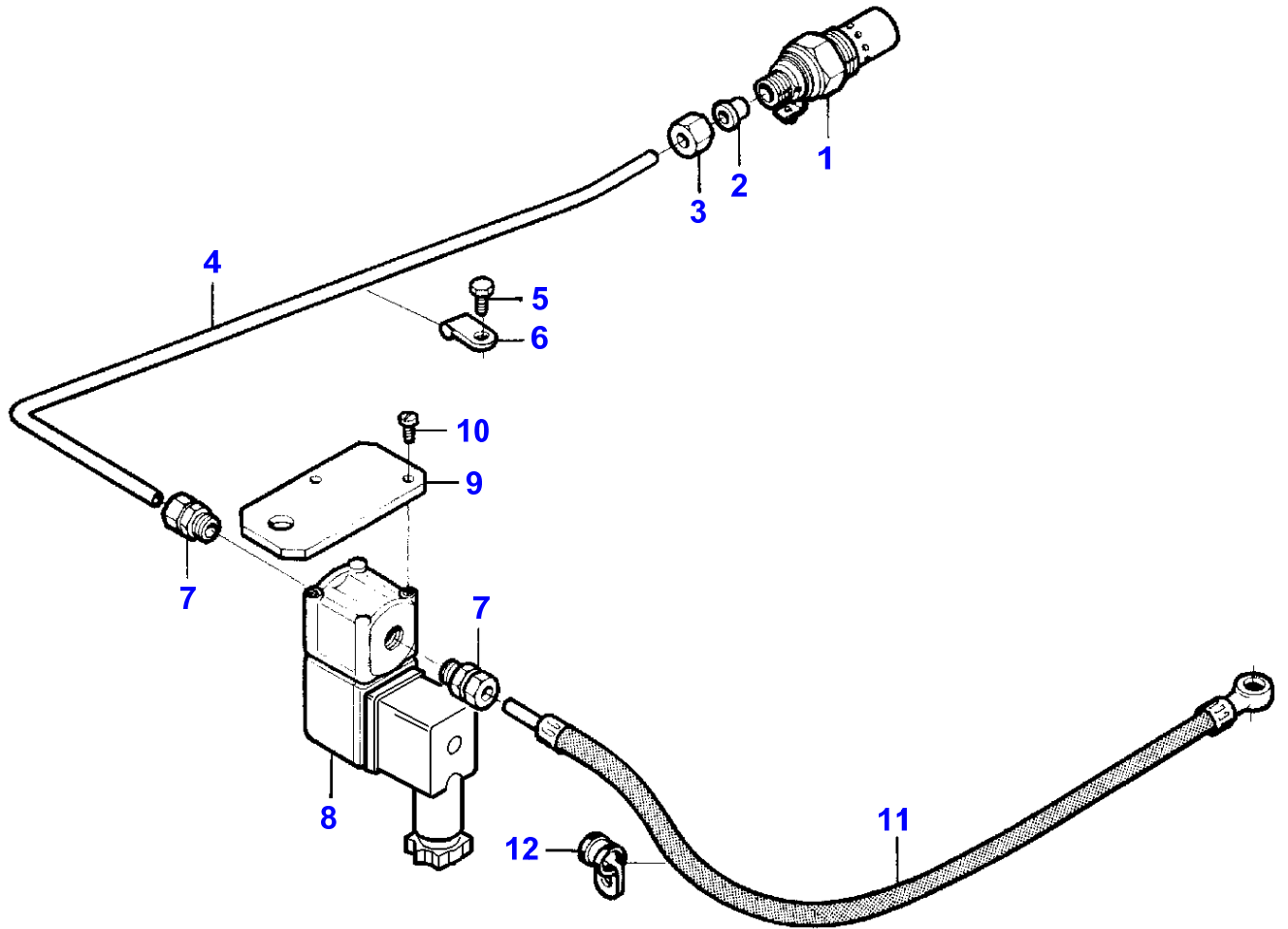
1-LA21-003



Item	Part Number	Qty	Description	Comments
				FROM NO C146006
1	V836846365	1	Turbocharger	[A]
2	V836316726	1	Gasket	
3	V546801800	4	Stud	
4	V521601000	4	Nut	
5	V836847993	1	Tube	
6	V836308344	1	Joint	V845008344
7	V528801410	2	Adjusting Screw	
8	V641086012	1	Union	
9	V615881620	1	Seal	
10	V836847991	1	Tube	
11	V836324580	1	Joint	
12	V528801380	2	Screw	
13	V602087528	2	Clamp	
14	V836647576	1	Hose	
15	V602061668	2	Clamp	Repairs and replaces V602083550
16	V836128181	2	Hose	
17	V836847893	1	Manifold	
18	V836847532	1	Gasket	
19	V529801112	1	Screw	
20	V835324324	2	Clamp	
21	V504600602	1	Nut	
22	V528801400	4	Screw	
23	V500950800	4	Washer	

[A]
DETAILS TO BE ADVISED

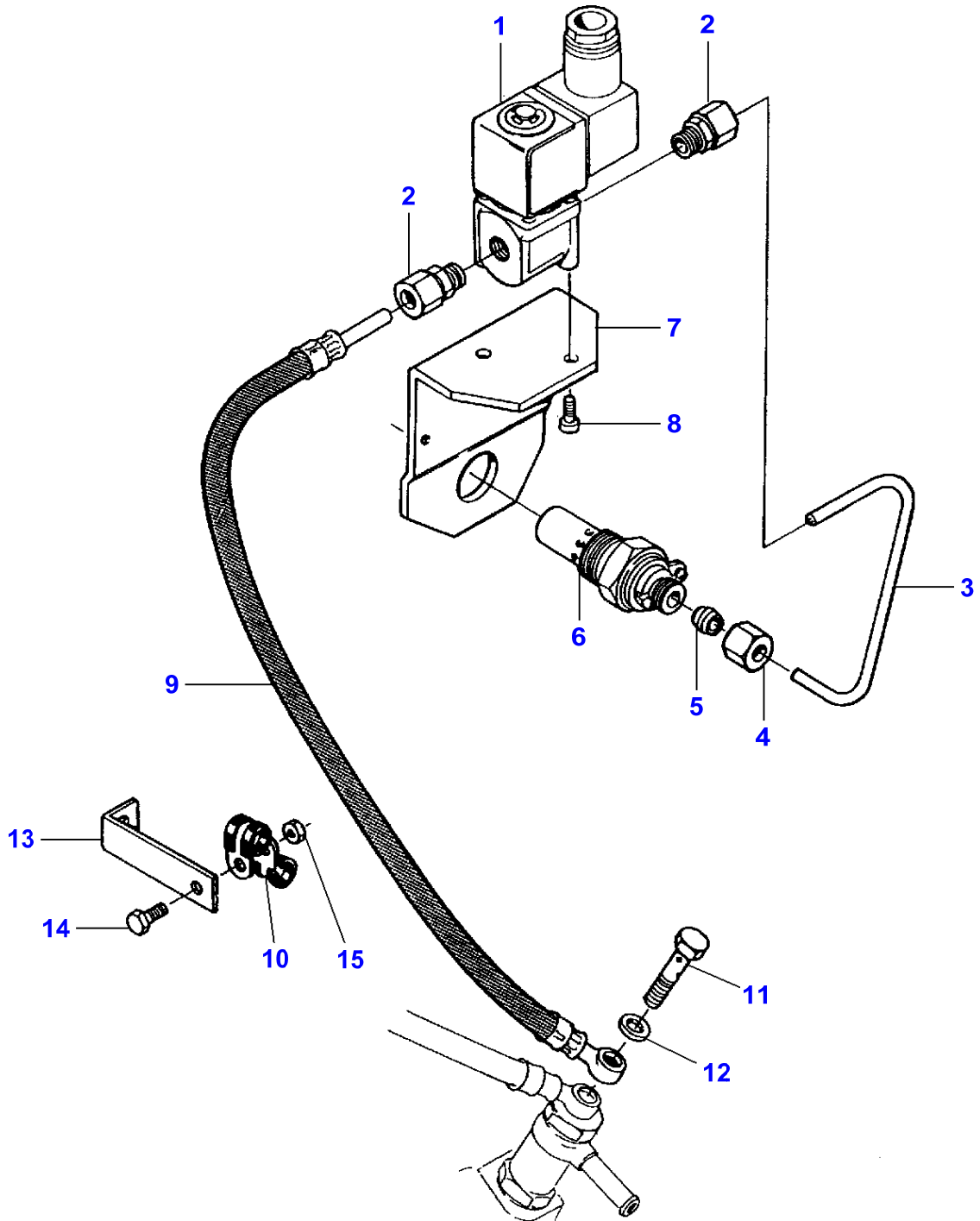
1-LA22-006



MASSEY FERGUSON**MF 3690 TRACTOR - 1637223****1637223****COLD STARTING DEVICE - UP TO NO C146005****46**

Item	Part Number	Qty	Description	Comments
				UP TO NO C146005
1	893501M91	1	Intake Heater	Repairs and replaces 3637651M1
2	V836017421	1	Olive	
3	V836017420	1	Nut	
4	V836346771	1	Tube	
5	V528801340	1	Screw	
6	V836124004	1	Clamp	
7	V641016005	2	Union	
8	V835339812	1	Electrovalve	
9	V835346758	1	Support	
10	V563501762	2	Screw	
11	V836346770	1	Hydr Hose	
12	V602060610	1	Clamp	

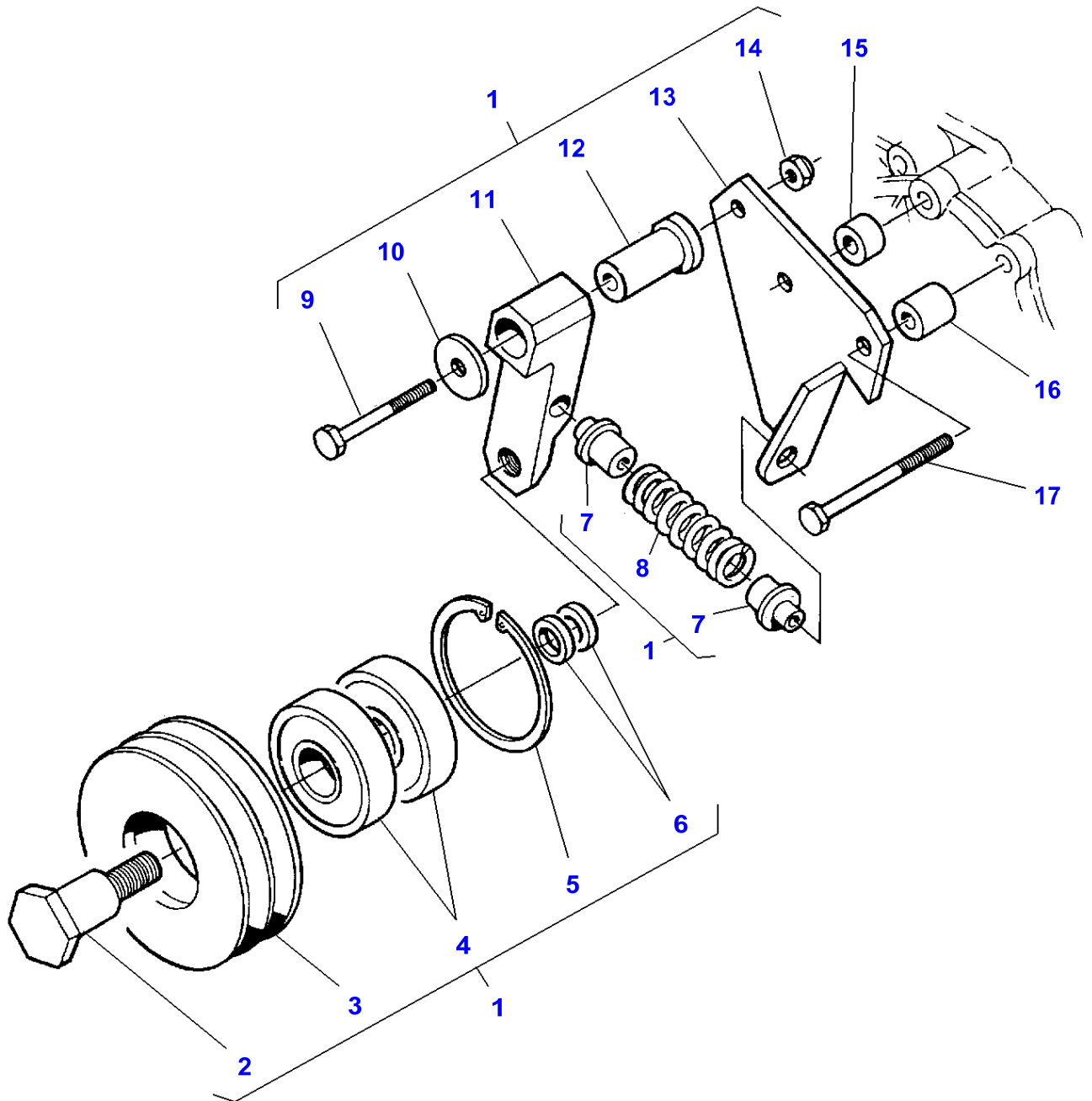
1-LA22-004



MASSEY FERGUSON**MF 3690 TRACTOR - 1637223****1637223****COLD STARTING DEVICE - FROM NO C146006****47**

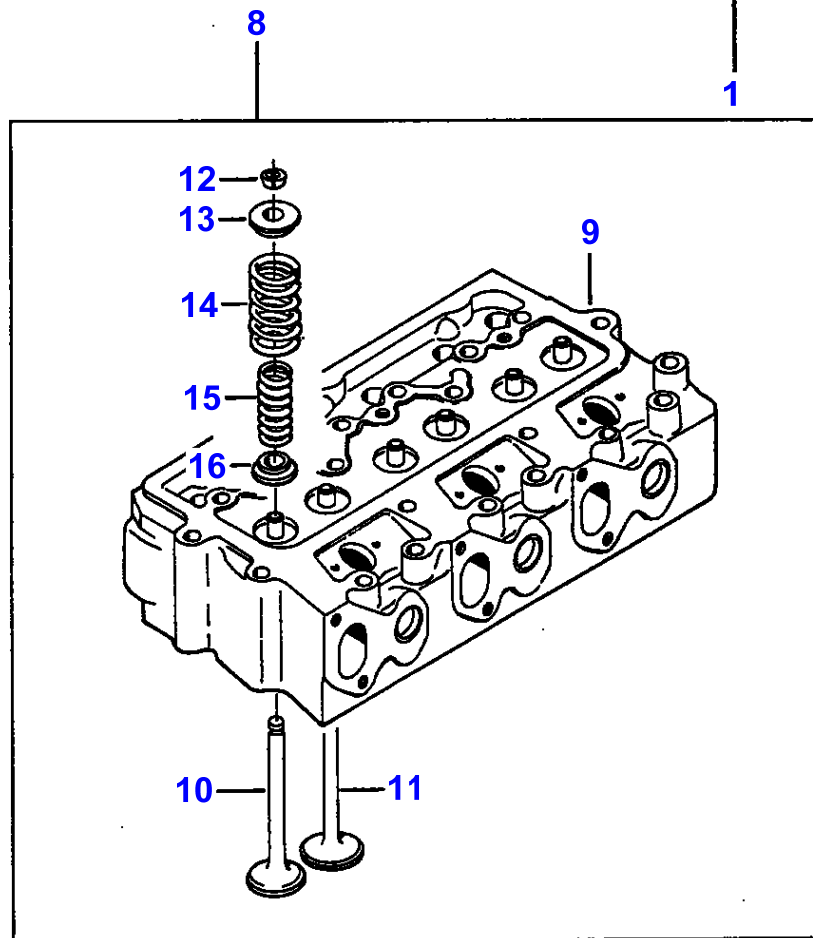
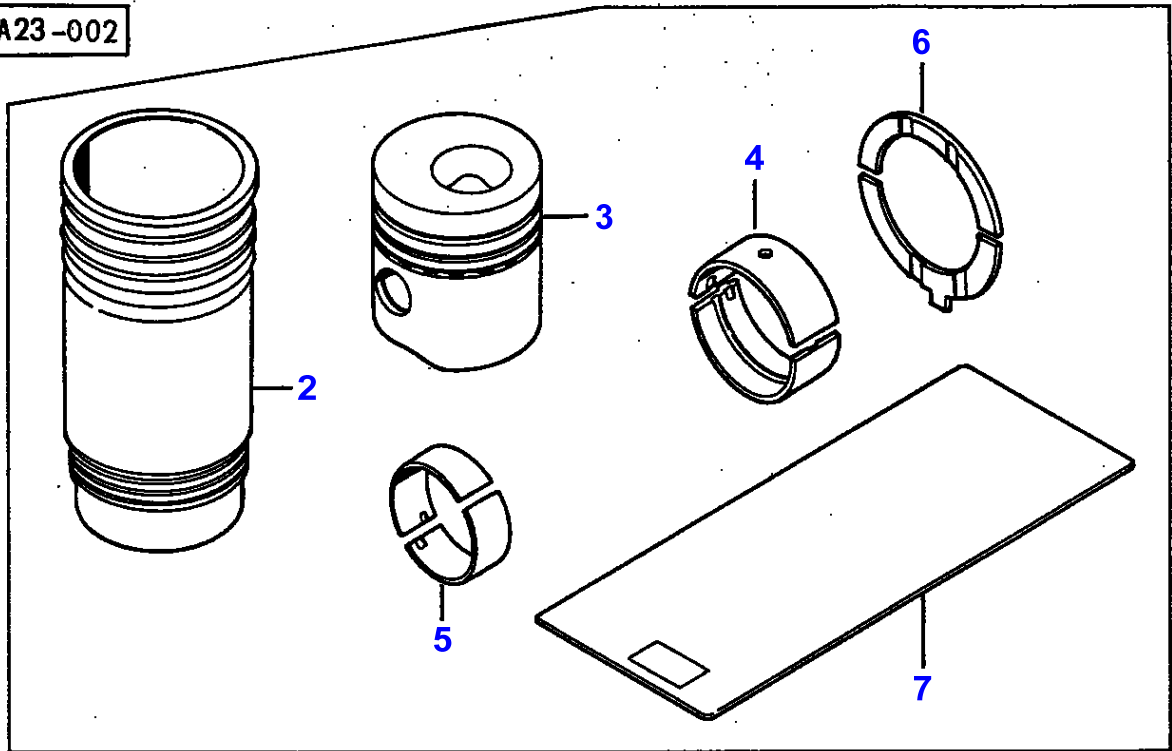
Item	Part Number	Qty	Description	Comments
				FROM NO C146006
1	V835339812	1	Electrovalve	
2	V641046005	2	Union	
3	V836752078	1	Tube	
4	V836017420	1	Nut	
5	V836017421	1	Olive	
6	893501M91	1	Intake Heater	Repairs and replaces 3637651M1
7	V836752077	1	Support	
8	V563501782	2	Screw	
9	V836647684	1	Exhaust Pipe	
10	V602069813	2	Clamp	
11	V640425005	1	Screw	
12	V615570812	3	Gasket	
13	V836852284	1	Support	
14	V528800762	1	Screw	
15	V504600502	1	Nut	

1-LA29-001-A



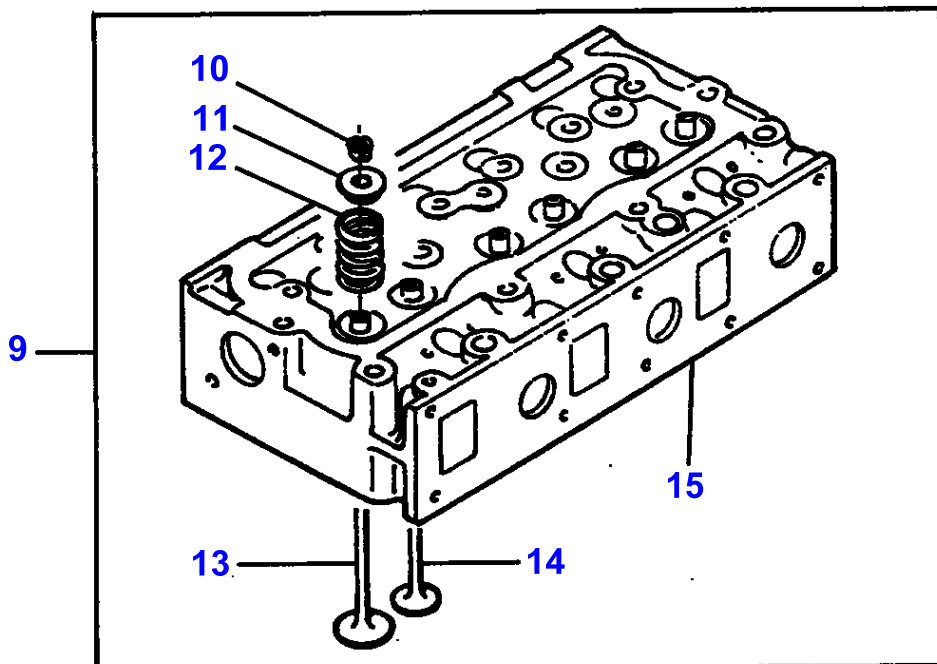
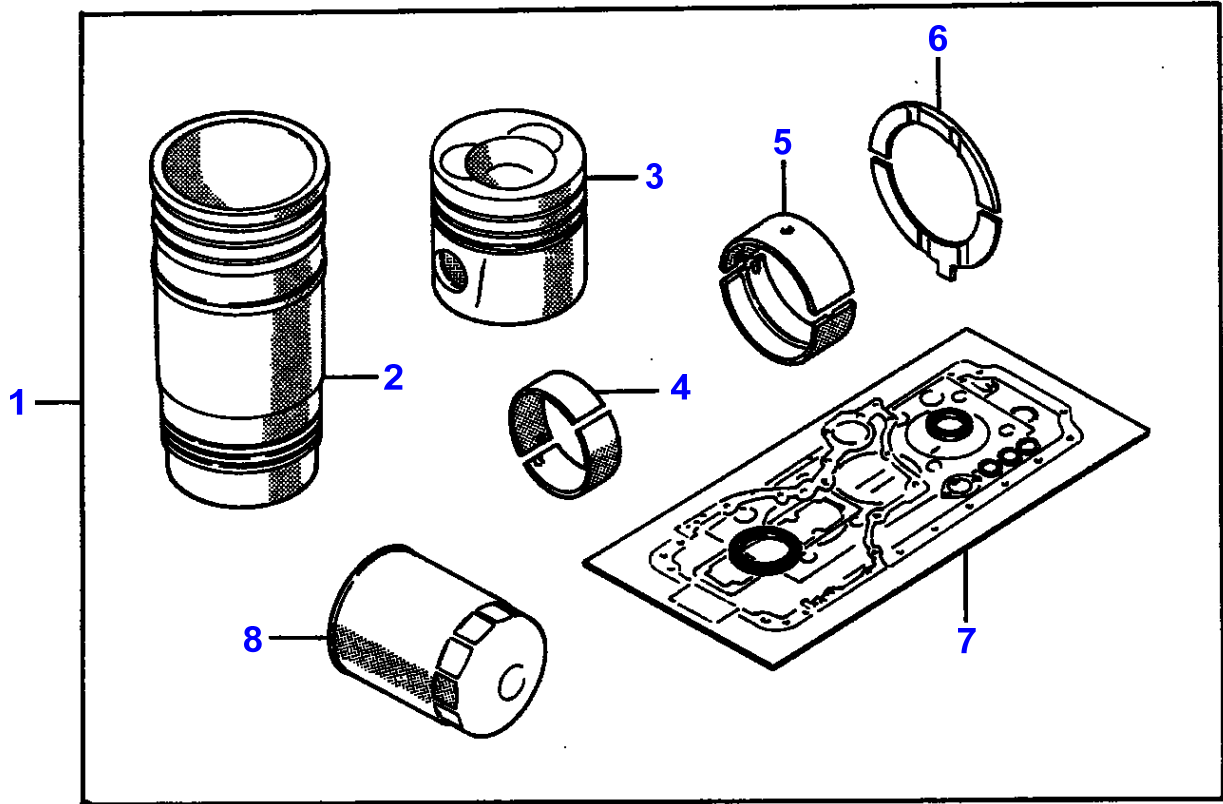
Item	Part Number	Qty	Description	Comments
				FROM SERIAL OR ENGINE NUMBER D090033
1	V836855358	1	Tightener	
2	V835328920	1	Shaft	(1)
3	V835328919	1	Pulley	(1)
4	V610063044	2	Bearing Assy	(1)
5	V617330052	1	Circlip	(1)
6	V836328922	2	Sleeve	(1)
7	V836352611	2	Spring Plate	(1)
8	V836352610	1	Spring	(1)
9	V529801480	1	Screw	(1)
10	V836017779	1	Washer	(1)
11	V836352612	1	Housing	(1)
12	V836352613	1	Sleeve	(1)
13	V836855143	1	Bracket	(1)
14	V510600802	1	Nut	(1)
15	V835347051	1	Sleeve	
16	V836136876	1	Sleeve	
17	V529801550	2	Screw	

1-LA23-002



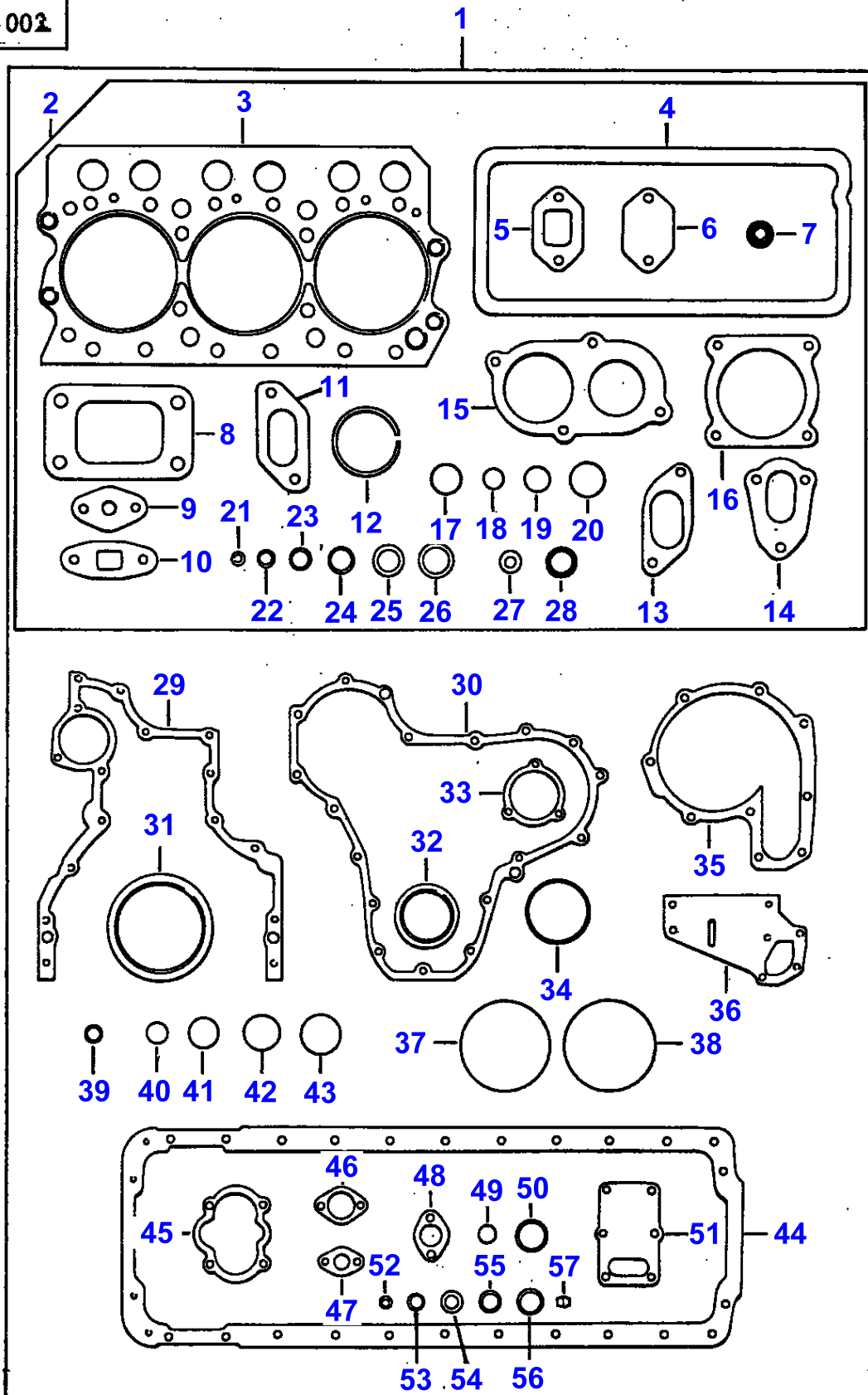
Item	Part Number	Qty	Description	Comments
				UP TO NO C146005
1	3637654M91	1	Power Pack	
2	3637621M1	6	Liner	(1)
3	3637619M91	6	Piston	(1)
4	3637626M91	6	Bearing	(1)
5	V836655514	7	Bearing	(1)
6	3637636M1	2	Thrust Washer	(1)
7	3637656M91	1	Kit, Gasket	(1)
				See Page - Reference Number 51/
8	V836331004	1	Cylinder Head	
9	3637655M91	1	Cylinder Head	(8)
10	3637641M1	3	Valve	(8)
11	3637642M1	3	Valve	(8)
12	V836006578	12	Cotter	(8)
13	V836006577	6	Cup	(8)
14	V836117910	6	Spring	(8)
15	V836006574	6	Spring	(8)
16	V836006579	6	Washer	(8)

1-LA23-003



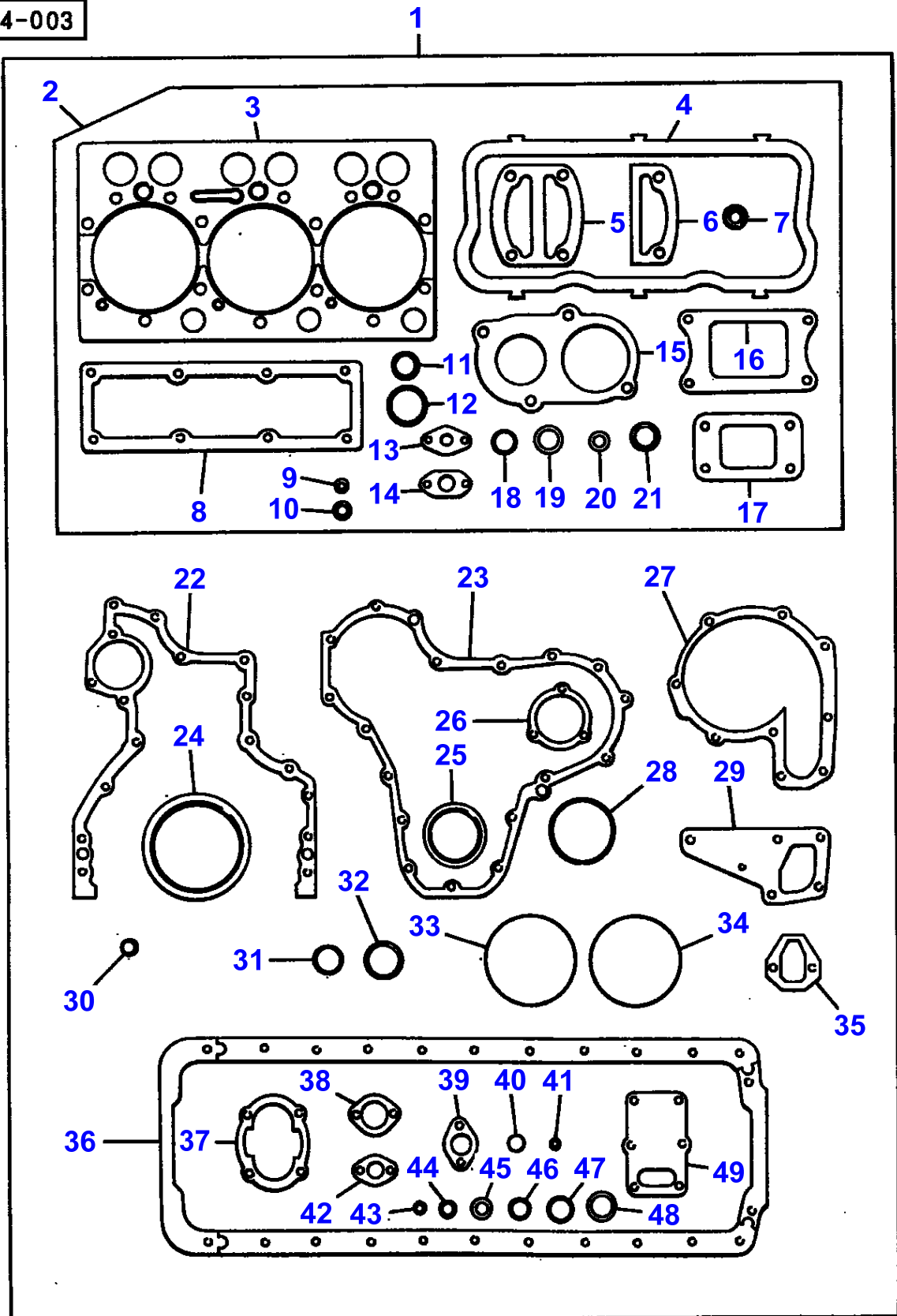
Item	Part Number	Qty	Description	Comments
				FROM NO C146006
1	V836840272	1	Kit, Repair	
2	3638970M1	6	Liner	(1)
3	3638609M1	6	Piston	(1)
4	V836110552	6	Bearing	(1)
5	V836655514	7	Bearing	(1)
6	3637636M1	2	Thrust Washer	(1)
7	3638972M91	1	Kit,Joint/Gasket	(1)
8	V836647133	1	Filter	(1)
9	V836640240	2	Cylinder Head	
10	V836646382	12	Cotter	(9)
11	V836646381	6	Cup	(9)
12	V836646380	6	Spring	(9)
13	V836646357	3	Valve Exhaust	(9)
14	V836646356	3	Valve Inlet	(9)
15	V836647046	1	Cylinder Head	

1-LA24-002



Item	Part Number	Qty	Description	Comments
				UP TO NO C146005
1	3637656M91	1	Kit, Gasket	
2	3637657M91	1	Kit, Gasket	(1)
3	3637639M1	2	Head Gasket	(2)
4	3637643M1	2	Gasket	(2)
5	V836328010	2	Gasket	(2)
6	V836322251	1	Gasket	(2)
7	V836012841	4	Gasket	(2)
8	V836316726	1	Gasket	(2)
9	V836308344	1	Joint	(2)
				V845008344
10	V836324580	1	Joint	(2)
11	V836122886	6	Joint	(2)
12	V836316519	4	Segment	(2)
13	V836006803	6	Joint	(2)
14	V836322247	4	Joint	(2)
15	V836329632	1	Gasket	(2)
16	V836324493	1	Joint	(2)
17	V614602930	2	O Ring	(2)
18	V614601930	6	O Ring	(2)
19	V614602415	12	O Ring	(2)
20	V614603540	1	O Ring	(2)
21	V615870710	13	Seal	(2)
22	V615571014	7	Seal	(2)
23	V615881216	3	Gasket	(2)
24	V615881418	1	Seal	(2)
25	V615881822	6	Seal	(2)
26	V615882227	6	Ring	(2)
27	V899901495	6	Washer	(2)
28	V835336276	6	Seal	(2)
29	V836112390	1	Gasket	(1)
30	V836129942	1	Gasket	(1)
31	3637618M1	1	Seal	(1)
32	3637617M1	1	Seal	(1)
33	V836129946	1	Gasket	(1)
34	V614607930	1	O Ring	(1)
35	V836338525	1	Gasket	(1)
36	V836338526	1	Gasket	(1)
37	3637622M1	6	O Ring	(1)
38	3637623M1	12	O Ring	(1)
39	V640016016	3	Plug	(1)
40	V614601930	4	O Ring	(1)
41	V614603230	2	O Ring	(1)
42	V614604740	1	O Ring	(1)
43	V614605125	1	O Ring	(1)
44	V836322183	1	Gasket	(1)
45	V836338188	2	Gasket	(1)
46	V836338201	1	Gasket	(1)
47	V836008449	2	Gasket	(1)
48	V836322190	2	Gasket	(1)
49	V614601524	1	O Ring	(1)
50	V615892732	2	O Ring	(1)
51	V836322852	1	Gasket	(1)
52	V615571014	12	Seal	(1)
53	V615581317	3	Seal	(1)
54	V615881420	12	Gasket	(1)
				Repairs and replaces V615881423
55	V615881620	1	Seal	(1)
56	V615881822	2	Seal	(1)
57	V641596010	2	Olive	(1)

1-LA24-003



MASSEY FERGUSON**MF 3690 TRACTOR - 1637223**

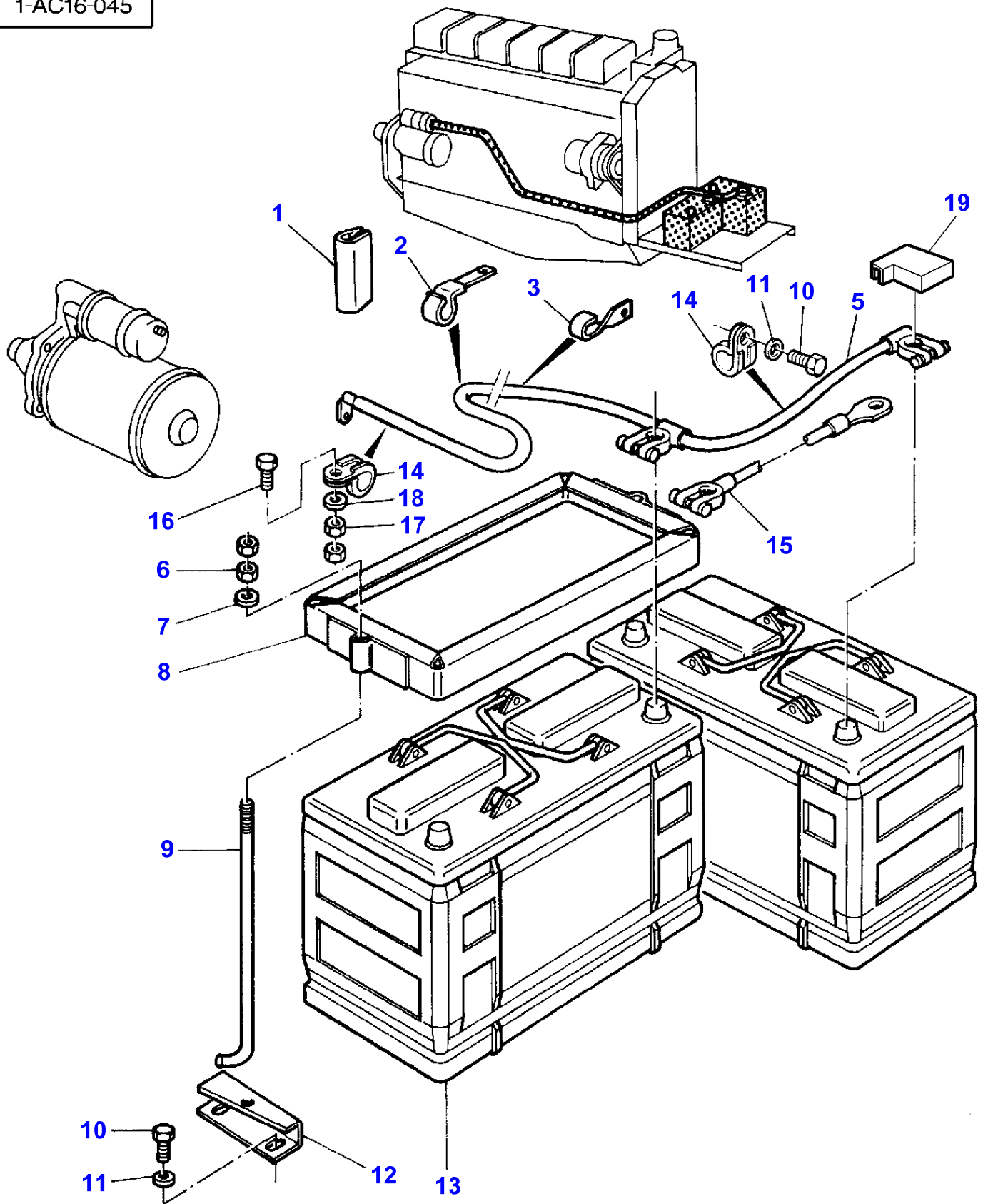
1637223

ENGINE GASKETS SETS - FROM NO C146006

52

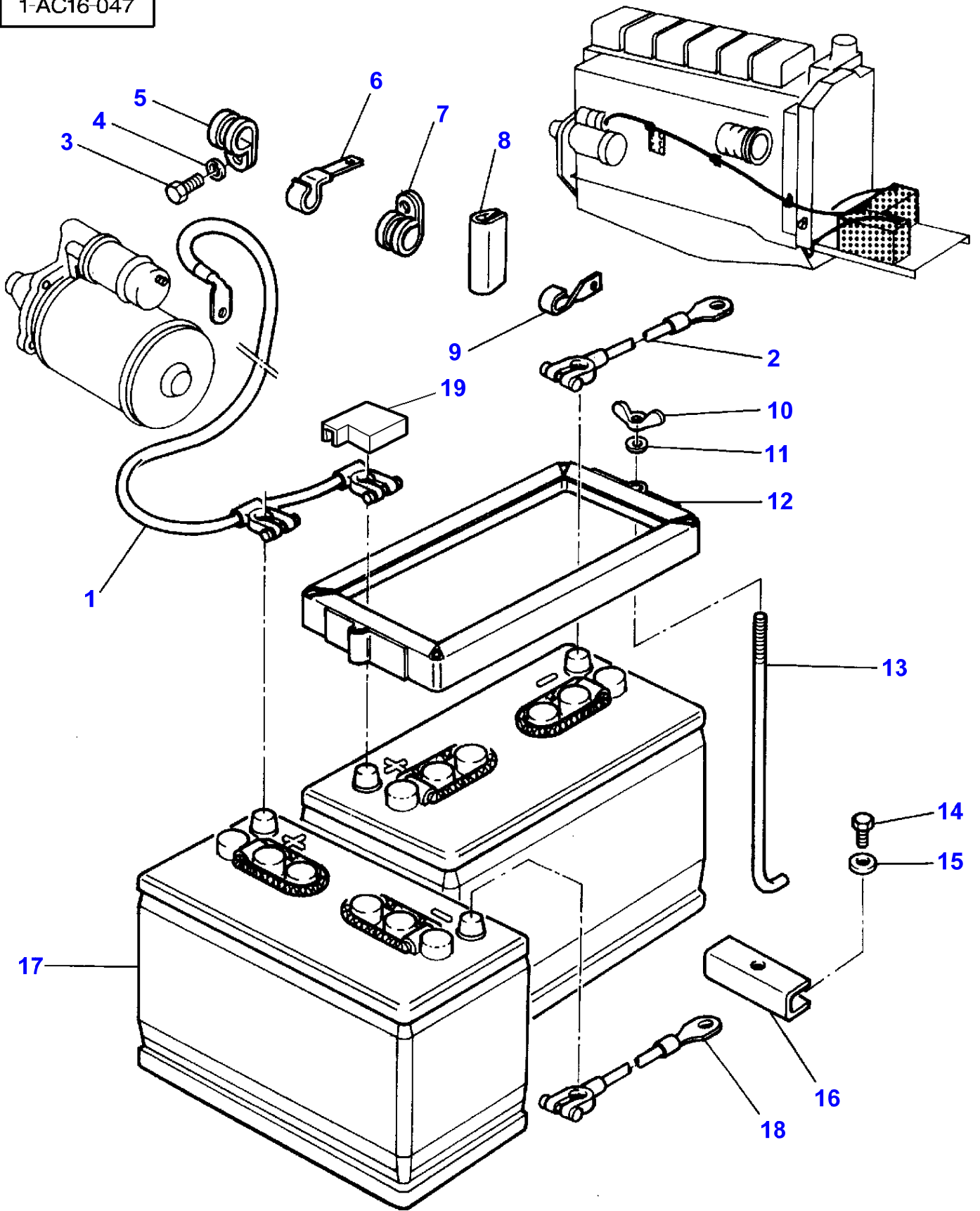
Item	Part Number	Qty	Description	Comments
				FROM NO C146006
1	3638972M91	1	Kit,Joint/Gasket	
2	V836840270	1	Kit,Joint/Gasket	(1)
3	V836655395	2	Gasket	(2)
4	V836646360	2	Gasket	(2)
5	V836855418	1	Gasket	(2)
6	V836855417	2	Gasket	(2)
7	V836012841	4	Gasket	(2)
8	V836847496	2	Gasket	(2)
9	V615870610	13	Seal	(2)
10	V836015967	2	Seal	(2)
11	V614602930	1	O Ring	(2)
12	V614604957	2	O Ring	(2)
13	V836308344	1	Joint	(2)
				V845008344
14	V836324580	1	Joint	(2)
15	V836329632	1	Gasket	(2)
16	V836847532	1	Gasket	(2)
17	V836316726	1	Gasket	(2)
18	V615881620	1	Seal	(2)
19	V615881822	2	Seal	(2)
20	V899901495	6	Washer	(2)
21	V835336276	6	Seal	(2)
22	V836647419	1	Gasket	(1)
23	V836129942	1	Gasket	(1)
24	3637618M1	1	Seal	(1)
25	3637617M1	1	Seal	(1)
26	V836129946	1	Gasket	(1)
27	V836338525	1	Gasket	(1)
28	V614607930	1	O Ring	(1)
29	V836846305	1	Gasket	(1)
30	V640016016	4	Plug	(1)
31	V614603230	1	O Ring	(1)
32	V614604740	1	O Ring	(1)
33	V836647502	12	O Ring	(1)
34	V836647503	6	O Ring	(1)
35	V836647401	1	Gasket	(1)
36	V836322183	1	Gasket	(1)
37	V836338188	1	Gasket	
38	V836338201	1	Gasket	
39	V836322190	1	Gasket	(1)
40	V614601524	1	O Ring	(1)
41	V615570812	3	Gasket	(1)
42	V836008449	2	Gasket	(1)
43	V615571014	6	Seal	(1)
44	V615881216	1	Gasket	(1)
45	V615881420	10	Gasket	(1)
46	V615881620	1	Seal	(1)
47	V615881822	7	Seal	(1)
48	V615892732	2	O Ring	(1)
49	V836322852	1	Gasket	(1)

1-AC16-045



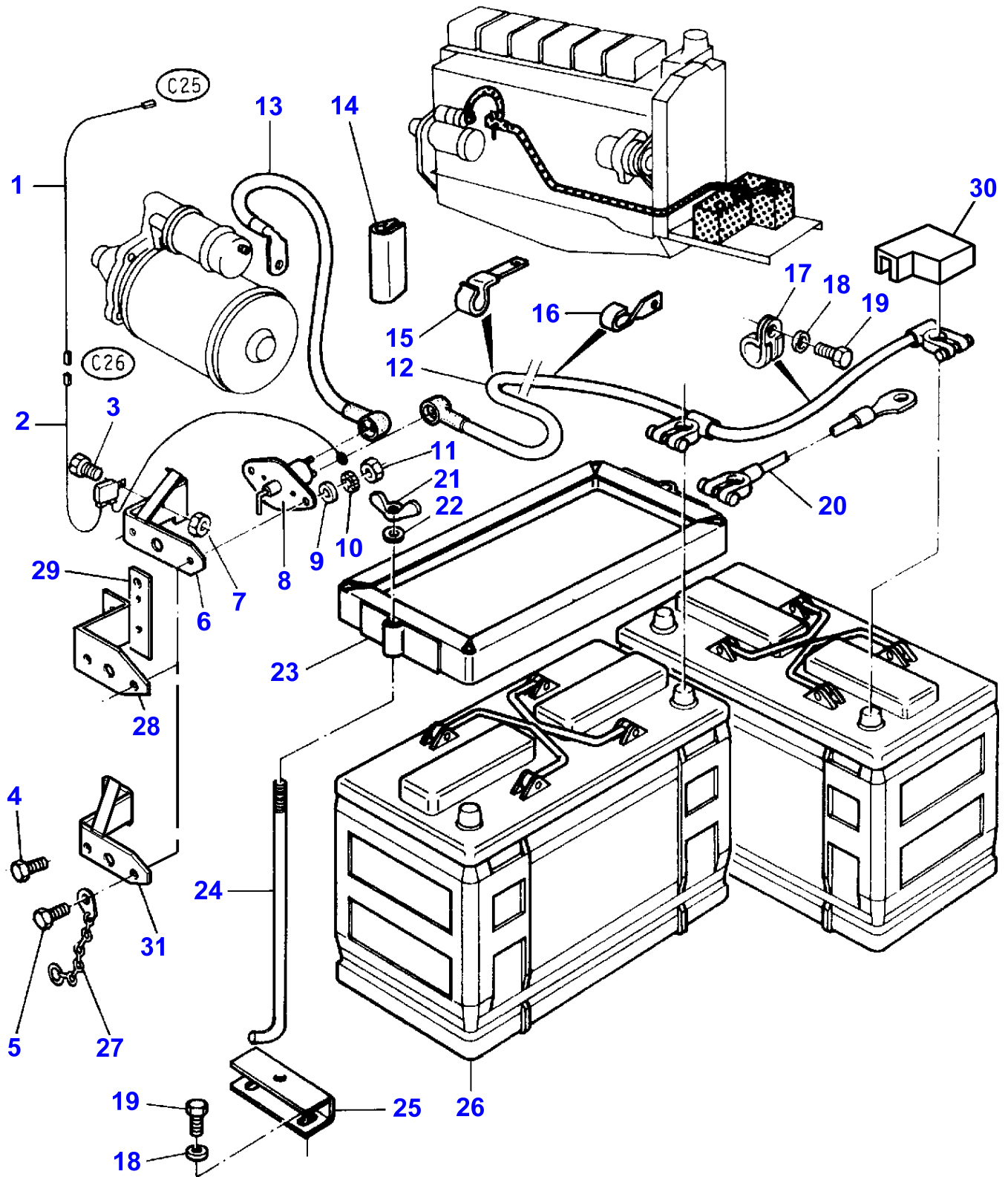
Item	Part Number	Qty	Description	Comments
				WITHOUT BATTERY CUT-OFF UP TO C146005
1	3580939M1	2	Protector	Up to Serial or Engine Number A098029 Length 50MM
2	3387128M1	1	Clamp	Up to Serial or Engine Number A098029
3	3580938M1	1	Strap	Up to Serial or Engine Number A098029
5	3583633M3	1	Cable	
6	339030X1	8	Nut Metric	Diameter M6
7	339588X1	4	Washer	
8	906170M91	2	Frame Assy	
9	1691384M2	4	Draglink	From Serial or Engine Number S281012 Length 215MM
9	3387040M1	4	Draglink	Up to Serial or Engine Number S281011 Length 255MM
10	339228X1	6	Screw Metric	Diameter M8X12MM
	339124X1	2	Screw Metric	Diameter M8X16MM
11	391039X1	8	Washer Metric	
12	3387032M3	4	Stop	
13	3582679M2	2	Battery	465 AMP.
14	3387756M1	2	Strap	
15	3583463M1	2	Cable	Length 850MM
16	339761X1	1	Screw Metric	Diameter M8X25
17	390345X1	2	Nut Metric	Diameter M8
18	390972X1	1	Washer Metric	
19	3618966M1	2	Protector	From Serial or Engine Number B154010

1-AC16-047



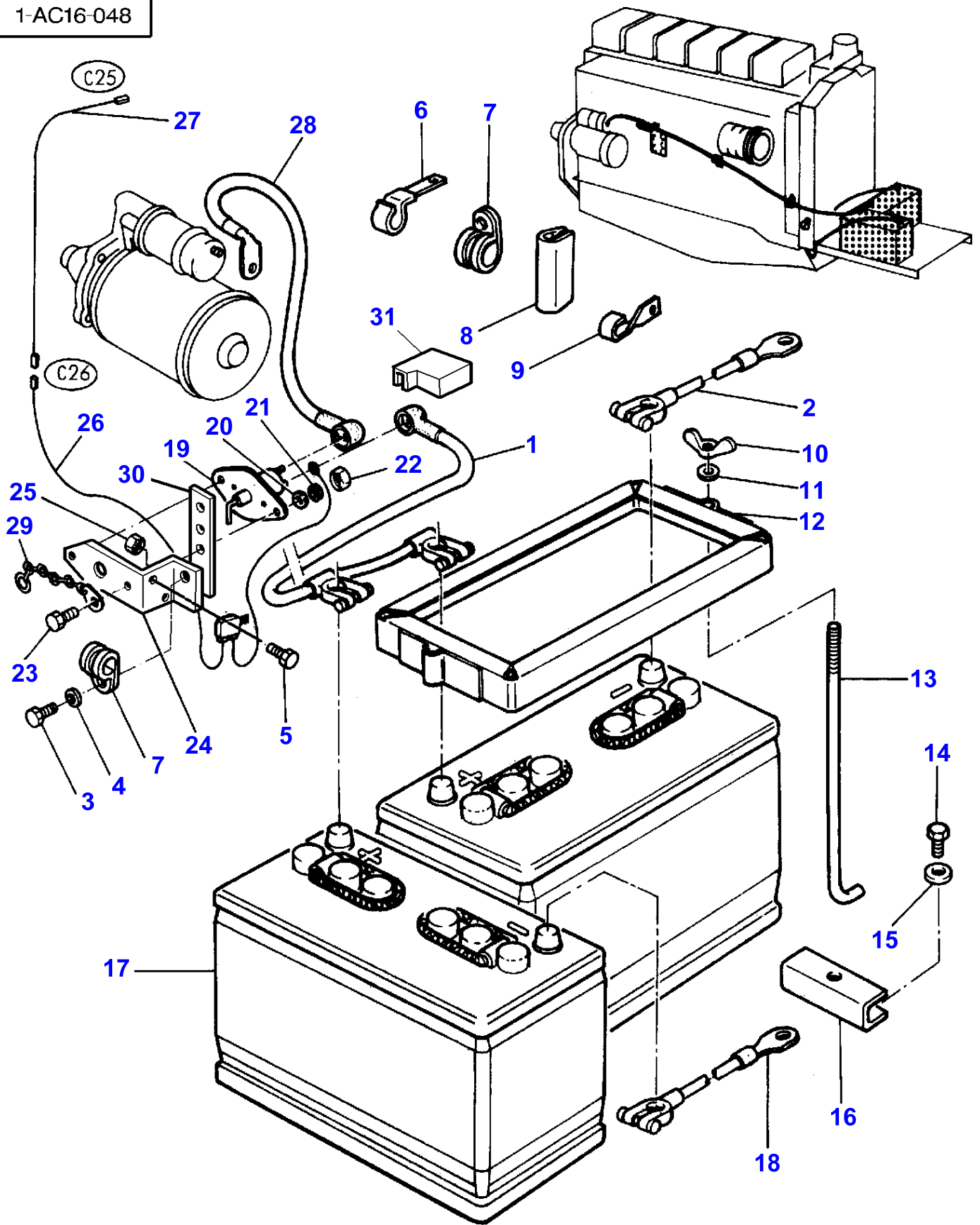
Item	Part Number	Qty	Description	Comments
				WITHOUT BATTERY CUT-OFF FROM NO C146006
1	3616980M3	1	Cable	
2	3583463M1	1	Cable	
3	339761X1	2	Screw Metric	Up to Serial or Engine Number A085013
4	390972X1	2	Washer Metric	Up to Serial or Engine Number A085013
5	3581424M1	1	Clamp	Up to Serial or Engine Number A085013
6	3387128M1	1	Clamp	Up to Serial or Engine Number A098029
7	3387756M1	1	Strap	Up to Serial or Engine Number A085013
8	3580939M1	2	Protector	Up to Serial or Engine Number A098029
9	3580938M1	1	Strap	Up to Serial or Engine Number A098029
10	339722X1	4	Nut	
11	391038X1	4	Washer Metric	
12	906170M91	2	Frame Assy	
13	3387040M1	4	Draglink	Up to Serial or Engine Number S281011 Length 255MM
14	339228X1	6	Screw Metric	M8X12 Up to Serial or Engine Number S288021
14	339124X1	2	Screw Metric	M8X16 From Serial or Engine Number S288022
15	391039X1	8	Washer Metric	Up to Serial or Engine Number S288021
	391039X1	2	Washer Metric	From Serial or Engine Number S288022
16	3387032M3	4	Stop	Up to Serial or Engine Number S288021
	3387032M3	1	Stop	From Serial or Engine Number S288022
17	3582680M1	2	Battery	505 AMP.
18	3617163M1	1	Cable	
19	3618966M1	2	Protector	From Serial or Engine Number B154010

1-AC16-055



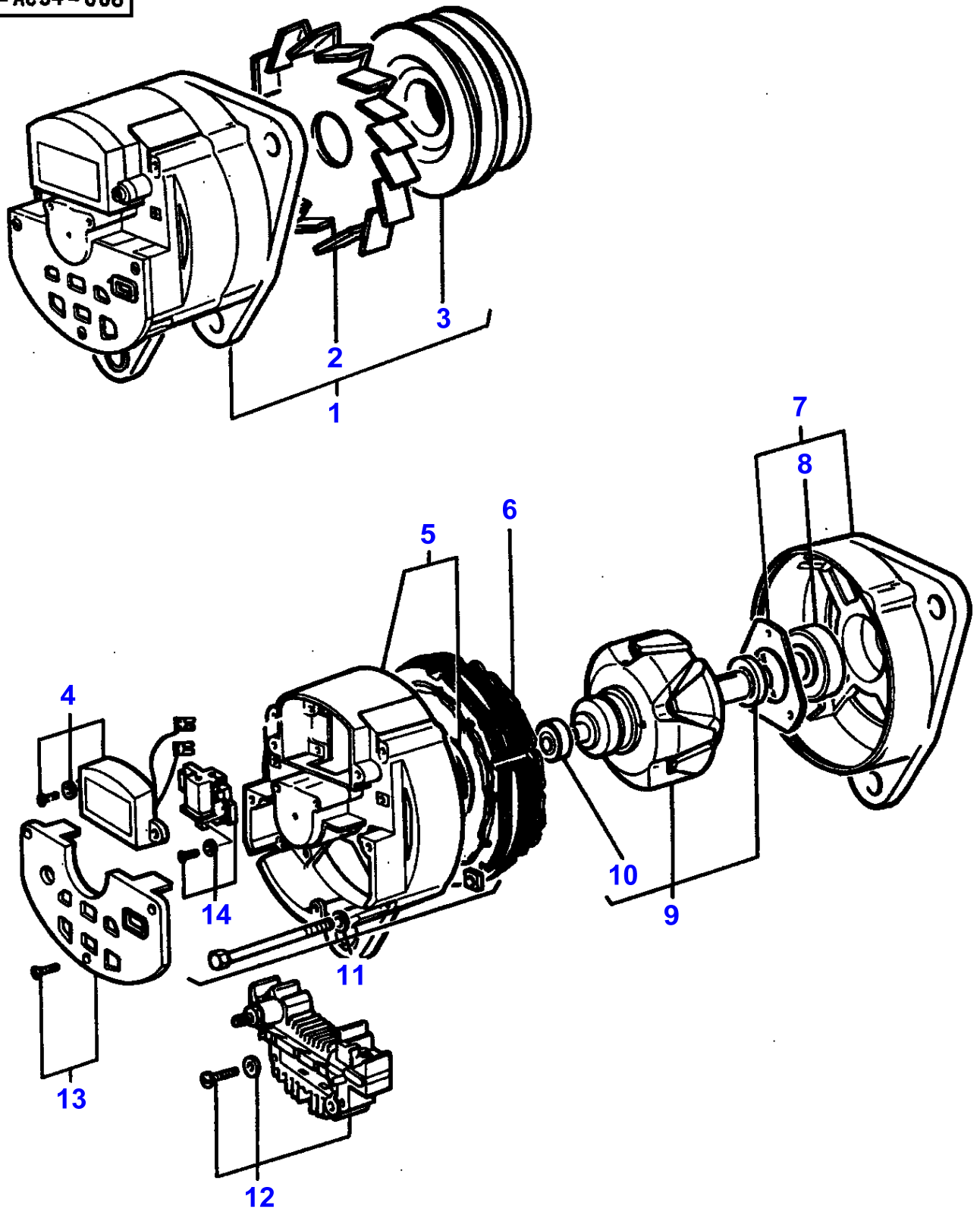
Item	Part Number	Qty	Description	Comments
				WITH BATTERY CUT-OFF UP TO C146005
1	3616193M2	1	Wire	[A] Length 500MM
2	3616189M91	1	Harness	[A]
3	390990X1	1	Screw Metric	M5X12
4	339123X1	2	Screw Metric	M8X20
5	339560X1	1	Screw Metric	M6X16
	339666X1	2	Screw Metric	M6X20
6	3616126M4	1	Support	Up to Serial or Engine Number
7	3010477X1	1	Nut Metric	M5
8	3613598M91	1	Switch	Up to Serial or Engine Number C097006
	3712201M1	1	Switch	From Serial or Engine Number C097007
9	390971X1	2	Washer Metric	M6
10	339375X1	2	Lock Washer	
11	339030X1	3	Nut Metric	M6
12	3616127M3	1	Cable	
13	3616128M2	1	Cable	
14	3580939M1	2	Protector	Up to Serial or Engine Number A098029 Length 50MM
15	3387128M1	1	Clamp	Up to Serial or Engine Number A098029
16	3580938M1	1	Strap	Up to Serial or Engine Number A098029
17	3387756M1	2	Strap	Up to Serial or Engine Number
18	391039X1	10	Washer Metric	
19	339124X1	9	Screw Metric	Diameter M8X16MM
20	3583463M1	2	Cable	Length 850MM
21	339030X1	8	Nut Metric	Diameter M6
22	339588X1	4	Washer	
23	906170M91	2	Frame Assy	
24	1691384M2	4	Draglink	From Serial or Engine Number S281012 Length 215MM
24	3387040M1	4	Draglink	Up to Serial or Engine Number S281011 Length 255MM
25	3387032M3	4	Stop	
26	3582679M2	2	Battery	465 AMP.
27	3613599M91	1	Chain	
	391038X1	2	Washer Metric	Diameter 6MM
28	3616983M3	1	Support	From Serial or Engine Number 01/91 Up to Serial or Engine Number C097006
29	3712202M1	1	Support	From Serial or Engine Number C097007
30	3618966M1	2	Protector	From Serial or Engine Number B154010
31	3616126M4	1	Support	From Serial or Engine Number S136032
				[A] WITH CAB

1-AC16-048



Item	Part Number	Qty	Description	Comments
				WITH BATTERY CUT-OFF FROM C146006
1	3616982M3	1	Cable	
	3616982M3	1	Cable	[B] Up to Serial or Engine Number B091007
1	3616127M3	1	Cable	[B] From Serial or Engine Number B091008
2	3583463M1	2	Cable	
3	339761X1	3	Screw Metric	Up to Serial or Engine Number A206034
	339139X1	1	Screw Metric	From Serial or Engine Number A206035 M12X25
3	339139X1	1	Screw Metric	[B] From Serial or Engine Number A206035 Up to Serial or Engine Number B097007
3	391380X1	1	Washer Metric	[B] From Serial or Engine Number B091008 M14X25
4	390972X1	3	Washer Metric	Up to Serial or Engine Number A206034
5	390990X1	1	Screw Metric	M5X12
6	3387128M1	1	Clamp	Up to Serial or Engine Number A098029
7	3387756M1	2	Strap	Up to Serial or Engine Number A206034
8	3580939M1	2	Protector	Up to Serial or Engine Number A098029
9	3580938M1	1	Strap	Up to Serial or Engine Number A098029
10	339722X1	4	Nut	
11	391038X1	4	Washer Metric	
12	906170M91	2	Frame Assy	
13	1691384M2	4	Draglink	From Serial or Engine Number S281012 Length 215MM
13	3387040M1	4	Draglink	Up to Serial or Engine Number S281011 Length 255MM
14	339228X1	6	Screw Metric	M8X12 Up to Serial or Engine Number S288021
14	339124X1	2	Screw Metric	M8X16 From Serial or Engine Number S288022
15	391039X1	8	Washer Metric	Up to Serial or Engine Number S288021
	355618X1	2	Washer	From Serial or Engine Number S288022
16	3387032M3	4	Stop	Up to Serial or Engine Number S288021
	3387032M3	1	Stop	From Serial or Engine Number S288022
17	3582680M1	2	Battery	505 AMP.
18	3617163M1	1	Cable	
19	3613598M91	1	Switch	Up to Serial or Engine Number C097006
	3712201M1	1	Switch	From Serial or Engine Number C097007
20	390971X1	2	Washer Metric	
21	339375X1	2	Lock Washer	
22	339030X1	3	Nut Metric	
23	339560X1	1	Screw Metric	M6X16
	339666X1	2	Screw Metric	M6X20
24	3616983M3	1	Support	Up to Serial or Engine Number C097006
	3712202M1	1	Support	From Serial or Engine Number C097007
25	3010477X1	1	Nut Metric	M5
26	3616189M91	1	Harness	[A]
27	3616193M2	1	Wire	[A]
28	3616128M2	1	Cable	
29	3613599M91	1	Chain	
	391038X1	2	Washer Metric	Diameter 6MM
30	3617904M1	1	Support	From Serial or Engine Number 02/92 Up to Serial or Engine Number C097006
31	3618966M1	2	Protector	From Serial or Engine Number B154010
				[A] WITH CAB
				[B] AUSTRIA

1-AC34-006



MASSEY FERGUSON**MF 3690 TRACTOR - 1637223**

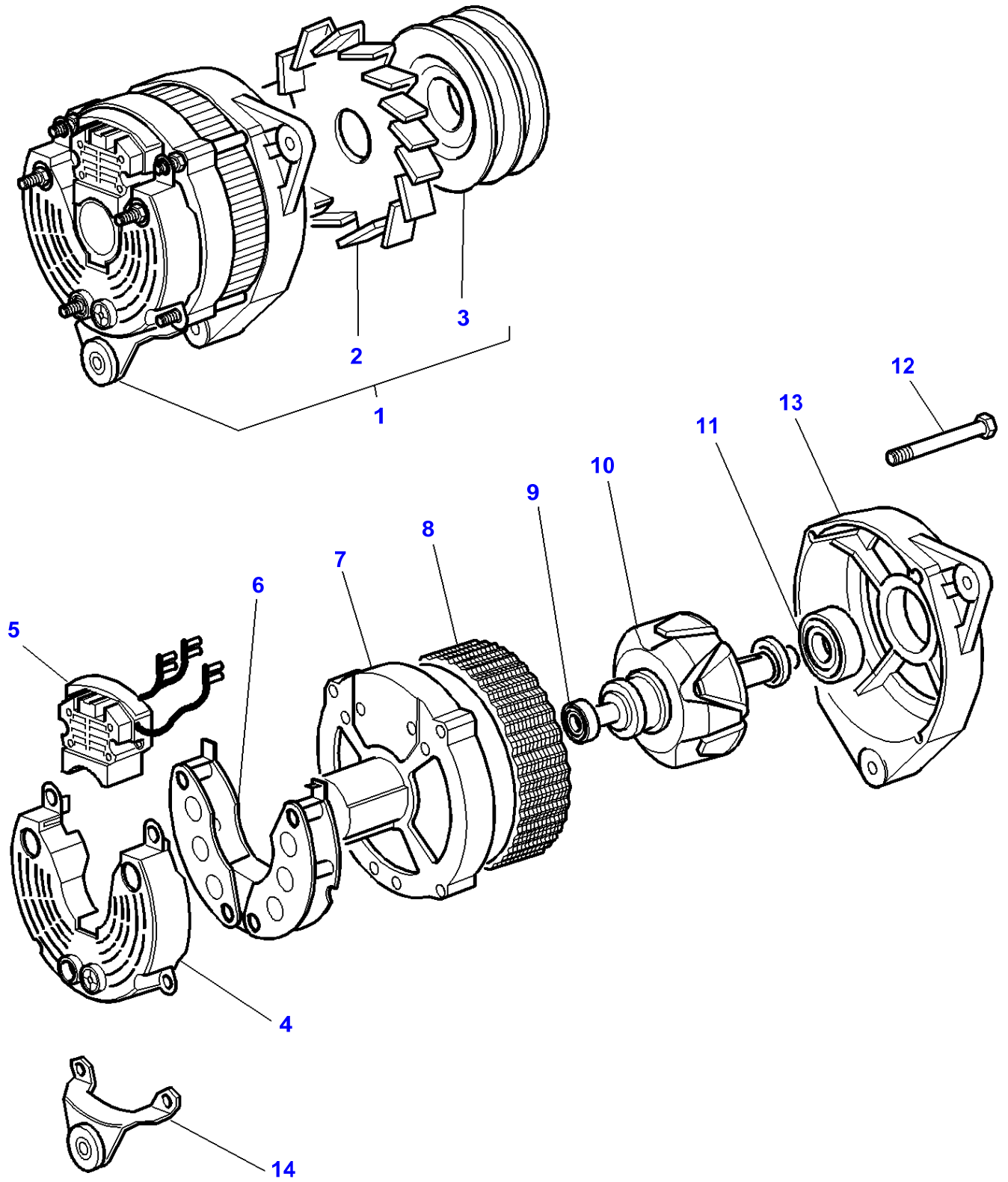
1637223

ALTERNATOR-VALEO - UP TO NO B109017

57

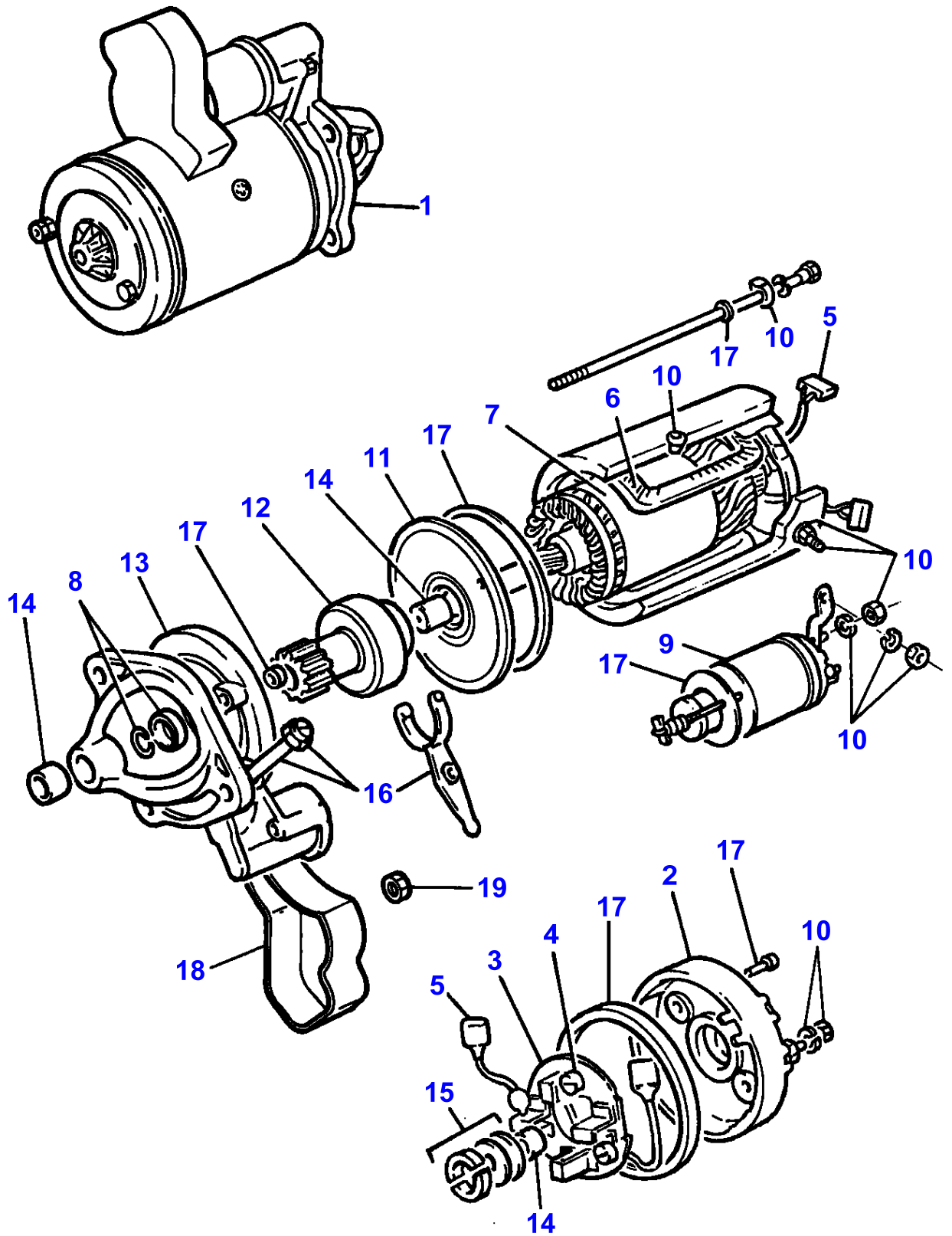
Item	Part Number	Qty	Description	Comments
				UP TO NO B109017
1	3615942M1	1	Alternator	VALEO 2541400 70 AMP
2	3600174M1	1	Fan	(1)
3	3600186M1	1	Pulley	(1) Diameter 100MM
4	1633295M91	1	Regulator	(1)
5	3600299M91	1	Flange	(1)
6	3600171M91	1	Stator	(1)
7	1643312M91	1	Flange	(1)
8	3600403M1	1	Bearing Assy	(7)
9	3600170M91	1	Rotor	(1)
10	3600404M1	1	Bearing Assy	(9)
11	3600402M91	1	Parts Pack	(1)
12	3600400M91	1	Bridge	(1)
13	3467045M91	1	Cover	(1)
14	3467044M91	1	Holder	(1)

1-AC34-007



Item	Part Number	Qty	Description	Comments
				FROM NO B109018
1	3618908M1	1	Alternator	VALEO 2541714
2	3900859M1	1	Fan	(1)
3	3900858M1	1	Pulley	(1)
4		1	Cover	Not serviced, order REF NO1
5	3900856M91	1	Regulator	(1)
6	3900857M91	1	Bridge	(1)
7		1	Flange	Not serviced, order REF NO1
8		1	Stator	Not serviced, order REF NO1
9	3600404M1	1	Bearing Assy	(1)
10		1	Rotor	Not serviced, order REF NO1
11	3600403M1	1	Bearing Assy	(1)
12		4	Screw	Not serviced, order REF NO1
13		1	Flange	Not serviced, order REF NO1
14		1	Strap	Not serviced, order REF NO1

1-AC37-001

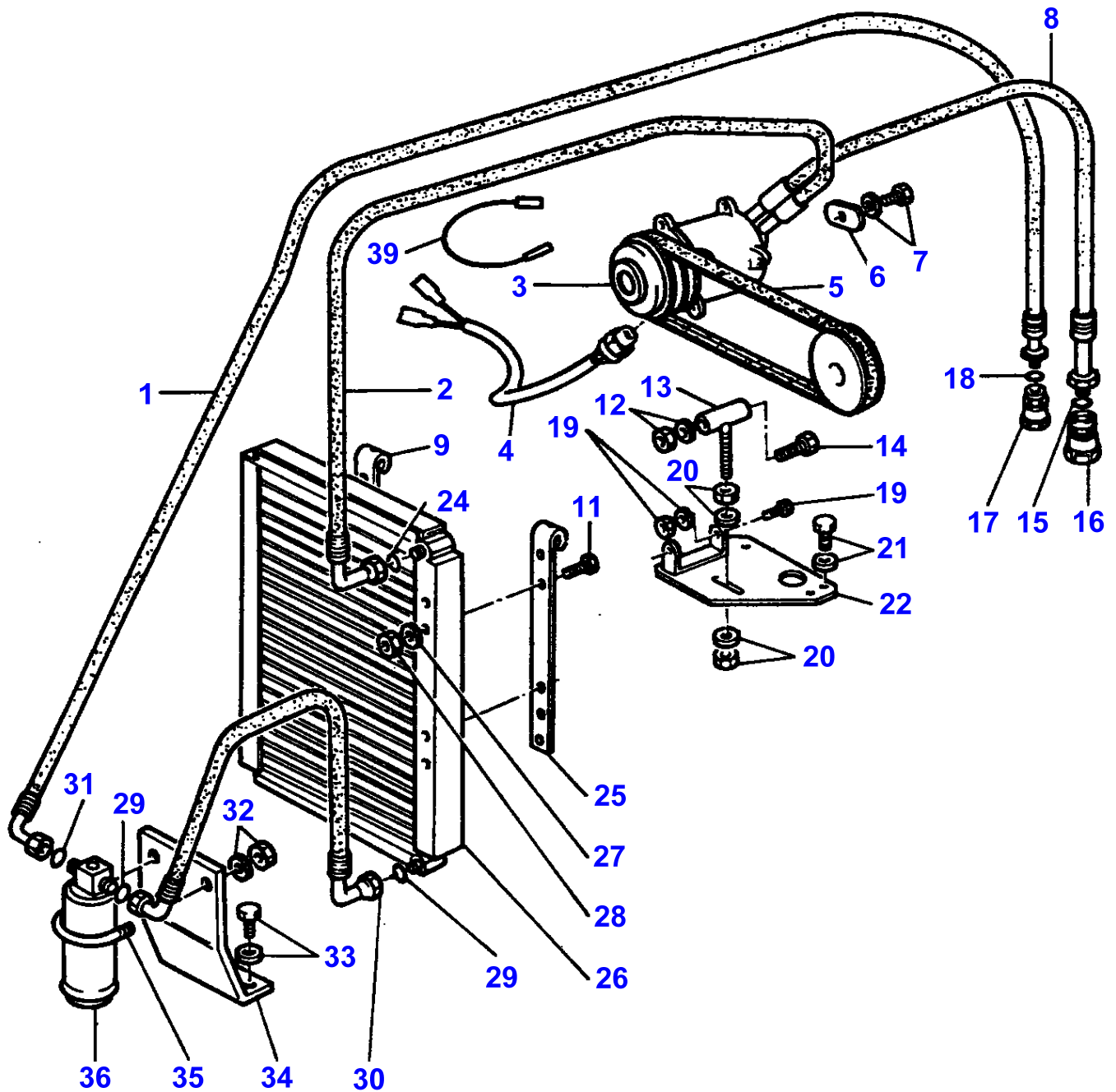


STARTER - MAGNETI-MARELLI

Item	Part Number	Qty	Description	Comments
				MAGNETI-MARELLI
1	3581576M2	1	Startermotor	[A] M127/2.8 See Page - Reference Number 382/
2	3478413M1	1	Housing	(1)
3	1887952M91	1	Kit, Brush Plate	(1)
4	1039134M91	1	Kit, Spring	(1)
5	1810743M91	1	Kit, Brush	(1)
6	3901192M91	1	Coil	(1) Repairs and replaces 1897314M91
7	3477316M91	1	Armature	(1)
8	1893978M91	1	Kit, Retainer	(1)
9	3901191M1	1	Solenoid	(1) Repairs and replaces 3901191M1
10	1887967M91	1	Kit	(1)
11	1810615M91	1	Bearing Plate	(1)
12	3901173M91	1	Drive	(1) Repairs and replaces 1897316M91
13		1	Support	(1) Not serviced, order REF N01
14	1887955M91	1	Bush	(1)
15	1887956M91	1	Kit, Brake	(1)
16	1897317M92	1	Kit, Lever	(1)
17	1806002M1	1	Kit, Seal	(1)
18	3611662M1	1	Cover	Repairs and replaces 3478414M1
19	3611638M1	1	Nut	Repairs and replaces 3478415M1

[A]
 THE APPROPRIATE SAFETY DECALS MUST BE ORDERED AND FITTED TO
 THIS PART

1-AC08-019



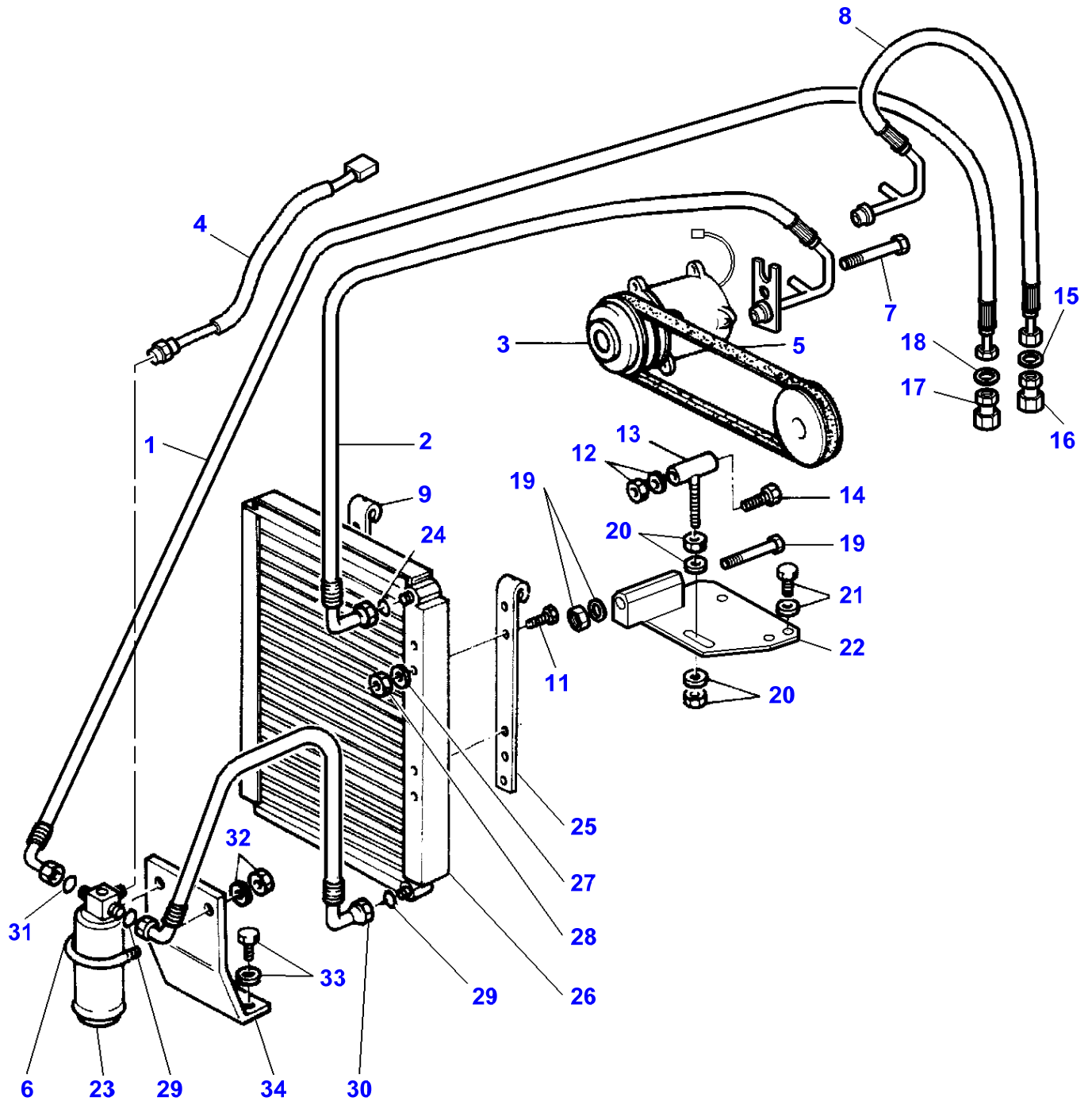
MASSEY FERGUSON**MF 3690 TRACTOR - 1637223**

1637223

COOLING SYSTEM-AIR CONDITIONED INSTALLATION - UP TO SERIAL NO C210009**60**

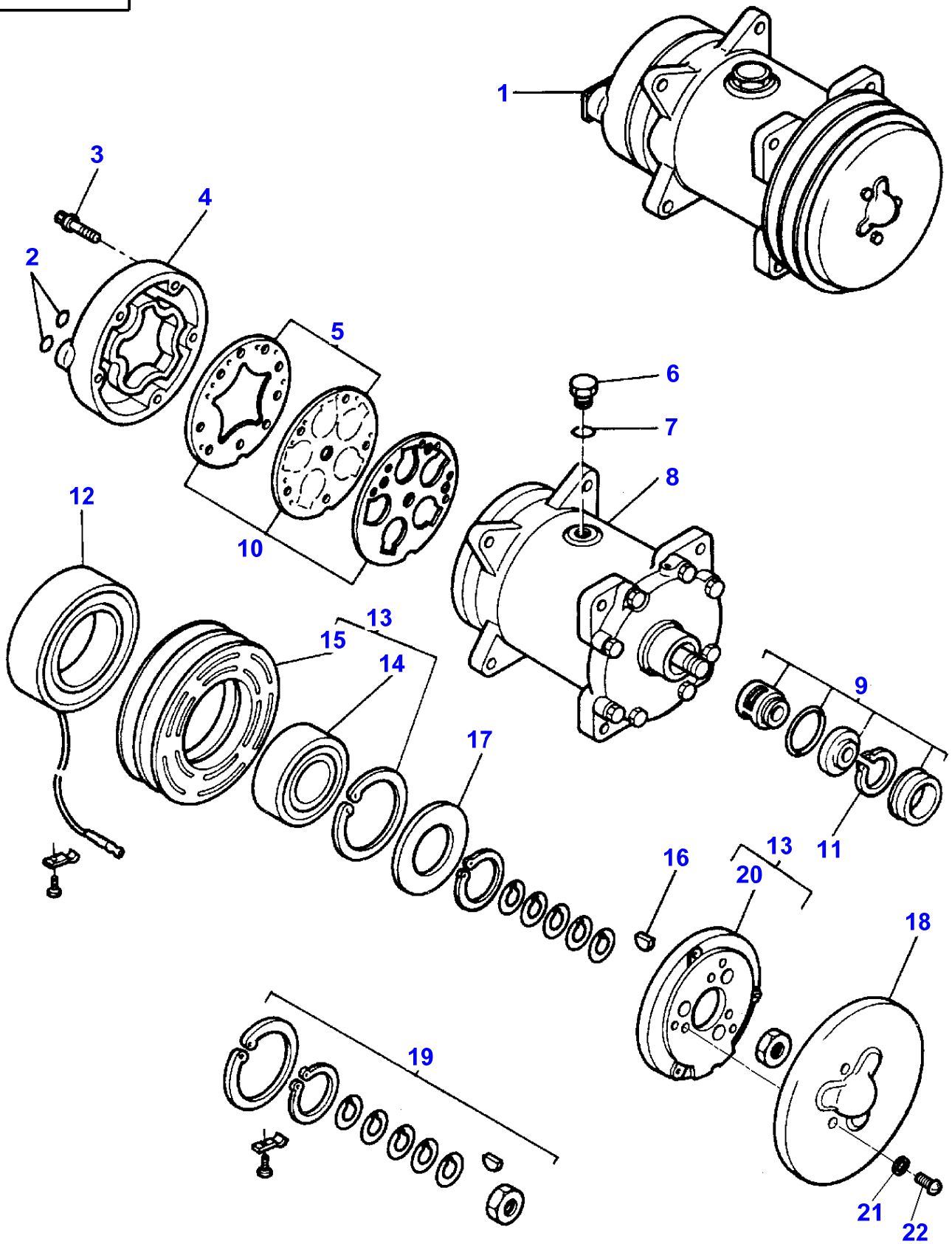
Item	Part Number	Qty	Description	Comments
				UP TO SERIAL NO C210009
1	3339524M1	1	Hydr Hose	
2	3581606M1	1	Hydr Hose	
3	3386861M1	1	Compressor	
4	3902105M1	1	Pressure Switch	SINGER
5	3581635M1	1	Belt	
6	3388245M1	1	Plate	
7	353547X1	1	Screw	3/8-24X54
	1440264X1	1	Washer Metric	
8	3581608M1	1	Hydr Hose	Up to Serial or Engine Number C146005 Length 1500MM
8	3616918M2	1	Hydr Hose	From Serial or Engine Number C146006 Length 2150MM
9	3041508M3	1	Bearer	Width 59 MM
11	1440922X1	8	Bolt	Alternative 354607X1
12	1440329X1	1	Locknut	
	390734X1	1	Washer Metric	
13	3580140M92	2	Tensioner	
14	339234X1	1	Bolt Metric	
15	3010474X1	1	O Ring	
16	368543X1	1	Union	
17	368524X1	1	Union	
18	3010475X1	1	O Ring	
19	3009493X1	2	Screw Metric	
	339376X1	2	Lock Washer	
	339402X1	2	Nut Metric	
20	339402X1	1	Nut Metric	
	390734X1	1	Washer Metric	
21	339401X1	3	Screw Metric	
	390734X1	3	Washer Metric	
22	3581604M92	1	Support	
24	3010472X1	1	O Ring	
25	3041507M3	1	Bearer	Width 35MM
26	3380377M1	1	Condenser	CHAUSSON
27	390971X1	8	Washer Metric	Alternative 353754X1
28	339030X1	8	Nut Metric	Alternative 355564X1
29	3010471X1	2	O Ring	
30	3389522M1	1	Hydr Hose	
31	3010471X1	1	O Ring	
32	339030X1	2	Nut Metric	
	390971X1	2	Washer Metric	
33	339123X1	2	Screw Metric	Diameter M8X20
	390972X1	2	Washer Metric	
34	3383330M1	2	Support	
35	3383977M1	1	Stirrup	
36	3383321M2	1	Filter	KENMORE
39	3616058M1	1	Wire	

1-AC08-506-A



Item	Part Number	Qty	Description	Comments
				FROM SERIAL NO C210010
1	3712595M1	1	Hydr Hose	
2	3712508M1	1	Hydr Hose	
3	3712528M2	1	Compressor	
4	3712526M1	1	Pressure Switch	
5	3389525M1	1	Belt	Up to Serial or Engine Number C326028 Length 1085MM
5	3712531M1	1	Belt	From Serial or Engine Number C326029 Length 1025MM
6	3383977M1	1	Stirrup	
7	358139X1	1	Screw	3/8-24X25
8	3712509M1	1	Hydr Hose	
9	3041508M3	1	Bearer	Width 59 MM
11	1440922X1	8	Bolt	Alternative 354607X1
12	1440329X1	1	Locknut	
	390734X1	1	Washer Metric	
13	3580140M92	2	Tensioner	
14	339234X1	1	Bolt Metric	
15	3010474X1	1	O Ring	
16	368543X1	1	Union	
17	368524X1	1	Union	
18	3010502X1	1	O Ring	
19	339234X1	1	Bolt Metric	M10X120MM
	390734X1	1	Washer Metric	
	1440329X1	1	Locknut	
20	339402X1	1	Nut Metric	
	390734X1	1	Washer Metric	
21	339401X1	3	Screw Metric	
	390734X1	3	Washer Metric	
22	3712536M3	1	Support	
23	3712495M1	1	Filter	
24	3010472X1	1	O Ring	
25	3041507M3	1	Bearer	Width 35MM
26	3380377M1	1	Condenser	CHAUSSON
27	390971X1	8	Washer Metric	
28	339030X1	8	Nut Metric	
29	3010471X1	2	O Ring	
30	3712511M1	1	Hydr Hose	
31	3010471X1	1	O Ring	
32	339030X1	2	Nut Metric	
	390971X1	2	Washer Metric	
33	339123X1	2	Screw Metric	Diameter M8X20
	390972X1	2	Washer Metric	
34	3383330M1	2	Support	
	3902106M1	1	Support	[A]
				[A]
				AUSTRIA

1-AC09-005



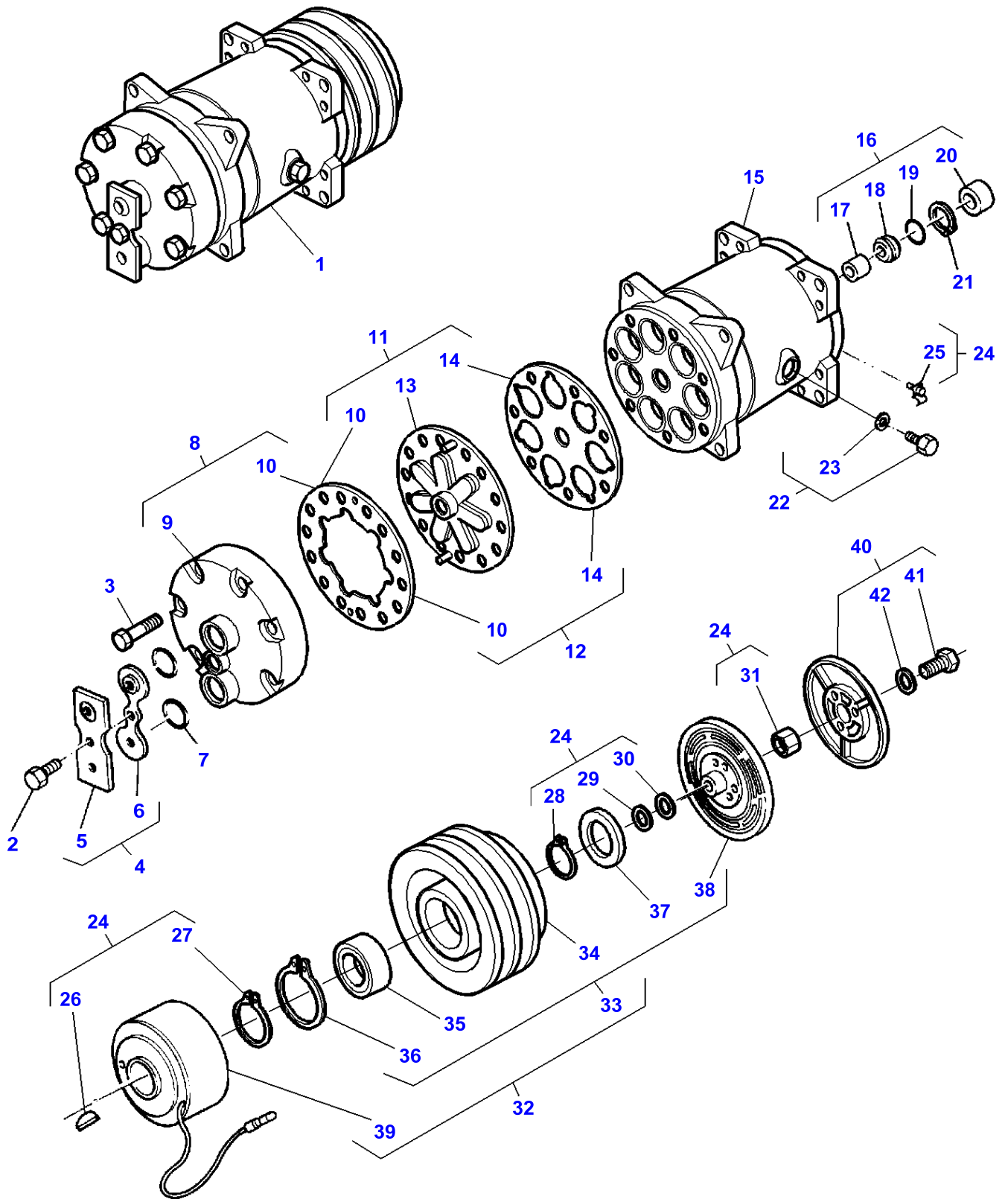
MASSEY FERGUSON**MF 3690 TRACTOR - 1637223**

1637223

COOLING SYSTEM -AIR CONDITIONED-SANKYO COMPRESSER - UP TO SERIAL NO C210009**62**

Item	Part Number	Qty	Description	Comments
				UP TO SERIAL NO C210009
1	3386861M1	1	Compressor	
2	1069213M1	2	O Ring	(1)
3	1057307M1	5	Screw	(1)
4	1069214M91	1	Cover	(1)
5	837509M91	1	Kit	(1)
6	1057302M1	1	Plug	(1)
7	1057301M1	1	Gasket	(1)
8		1	Body	(1)
				Not serviced, order REF 1
9	837508M91	1	Kit	(1)
10	1057308M91	1	Plate	(1)
11	1057300M1	1	Segment	(1)
12	1073010M1	1	Inductor	(1)
13	1069215M91	1	Pulley	(1)
14	1057310M1	1	Bearing Assy	(13)
15		1	Pulley	(13)
				Not serviced, order REF 13
16	1057305M1	1	Key	(1)
17	1057312M1	1	Cover	(1)
18	1069217M1	1	Cover	(1)
19	837510M91	1	Kit	(1)
20		1	Flange	(13)
				Not serviced, order REF 13
21	22463X	3	Lock Washer	
22	373110X1	3	Screw	

1-AC49-001



MASSEY FERGUSON

MF 3690 TRACTOR - 1637223

1637223

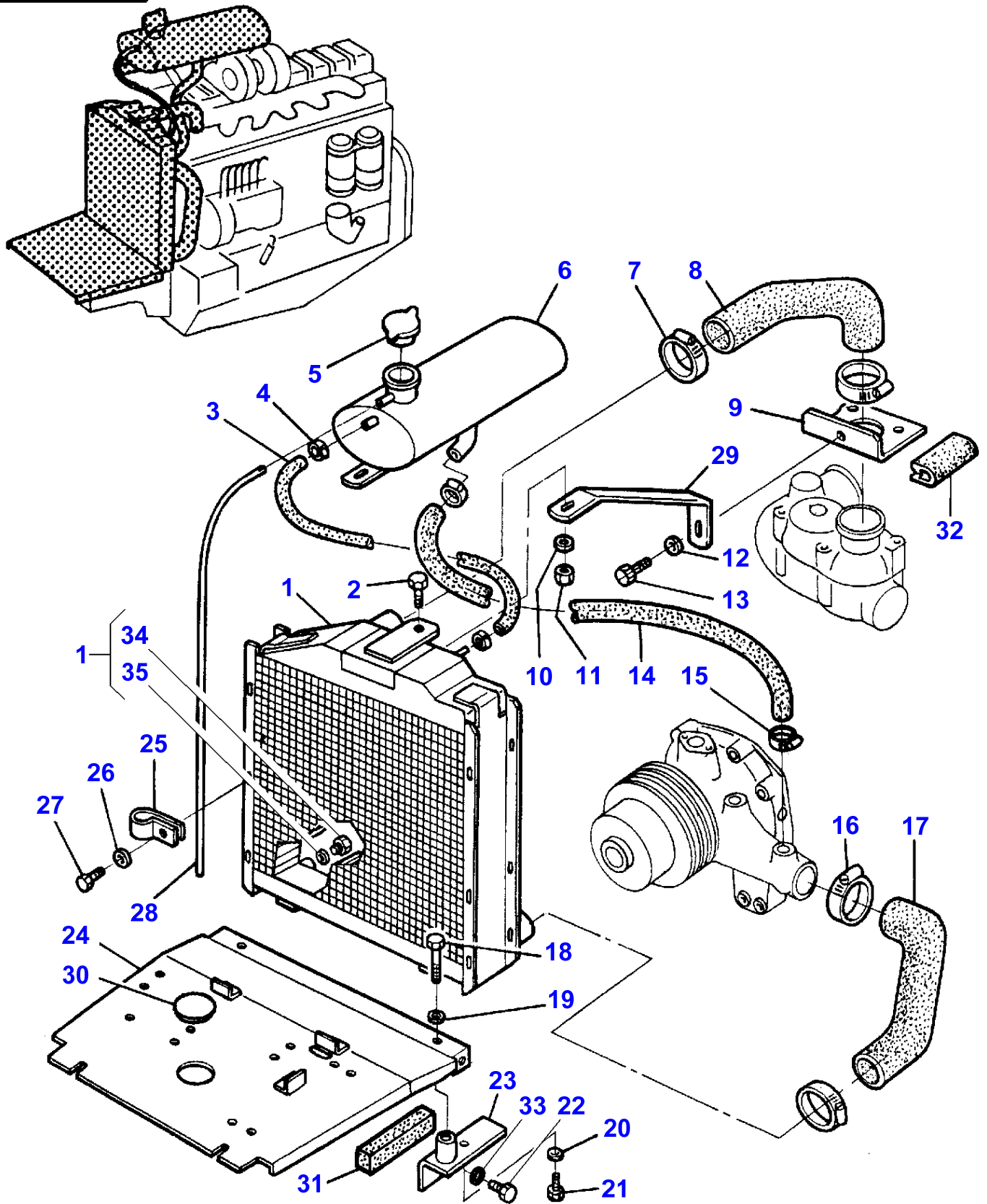
COOLING SYSTEM -AIR CONDITIONED-SANDEN COMPRESSER - FROM SERIAL NO C210010

63

Item	Part Number	Qty	Description	Comments
				FROM SERIAL NO C210010
1	3712528M2	1	Compressor	SD7H15QC7952
2	3901157M1	1	Screw	(1)
3	3901154M1	6	Screw	(1)
4	3901156M91	1	Kit	(1)
5		1	Plate	(4)
				Not serviced, order REF.4
6		1	Cover	(4)
				Not serviced, order REF.4
7	3901155M1	2	O Ring	(1)
8	3901147M91	1	Head	(1)
9		1	Cover	(8)
				Not serviced, order REF.8
10		1	Gasket	(8)
				Not serviced, order REF.8
11	3901148M91	1	Kit	(1)
12	3901151M91	1	Kit, Gasket	(1)
13		1	Plate	(11)
				Not serviced, order REF.11
14		1	Gasket	(11)
				Not serviced, order REF.11
15		1	Body	(1)
				Not serviced, order REF.1
16	3901149M91	1	Kit, Seal	(1)
17		1	Seal	(16)
				Not serviced, order REF.16
18		1	Seal	(16)
				Not serviced, order REF.16
19		1	O Ring	(16)
				Not serviced, order REF.16
20		1	Felt Ring	(16)
				Not serviced, order REF.16
21	3901150M1	1	Circlip	(1)
22	3901152M91	1	Plug	(1)
23	3901153M1	1	O Ring	(22)
24	3901161M91	1	Kit	(1)
25		1	Clip	(24)
				Not serviced, order REF.24
26		1	Key	(24)
				Not serviced, order REF.24
27		1	Circlip	(24)
				Not serviced, order REF.24
28		1	Circlip	(24)
				Not serviced, order REF.24
29		1	Ring	(24)
				Not serviced, order REF.24
30		1	Ring	(24)
				Not serviced, order REF.24
31		1	Nut	(24)
				Not serviced, order REF.24
32		1	Clutch	[A] (1)
33	3902115M91	1	Rotor	(32)
34		1	Rotor	(33)
				Not serviced, order REF.33
35	3901159M1	1	Bearing	(33)
36		1	Circlip	(33)
				Not serviced, order REF.33
37	3901162M1	1	Cover	(33)
38		1	Armature	(33)
				Not serviced, order REF.33
39	3902142M1	1	Coil	(1)
40	3901163M91	1	Kit	(1)
41	373110X1	3	Screw	(40)
42	22463X	3	Lock Washer	(40)

[A]
NOT SERVICED-ORDER DETAILS

1-AC23-023

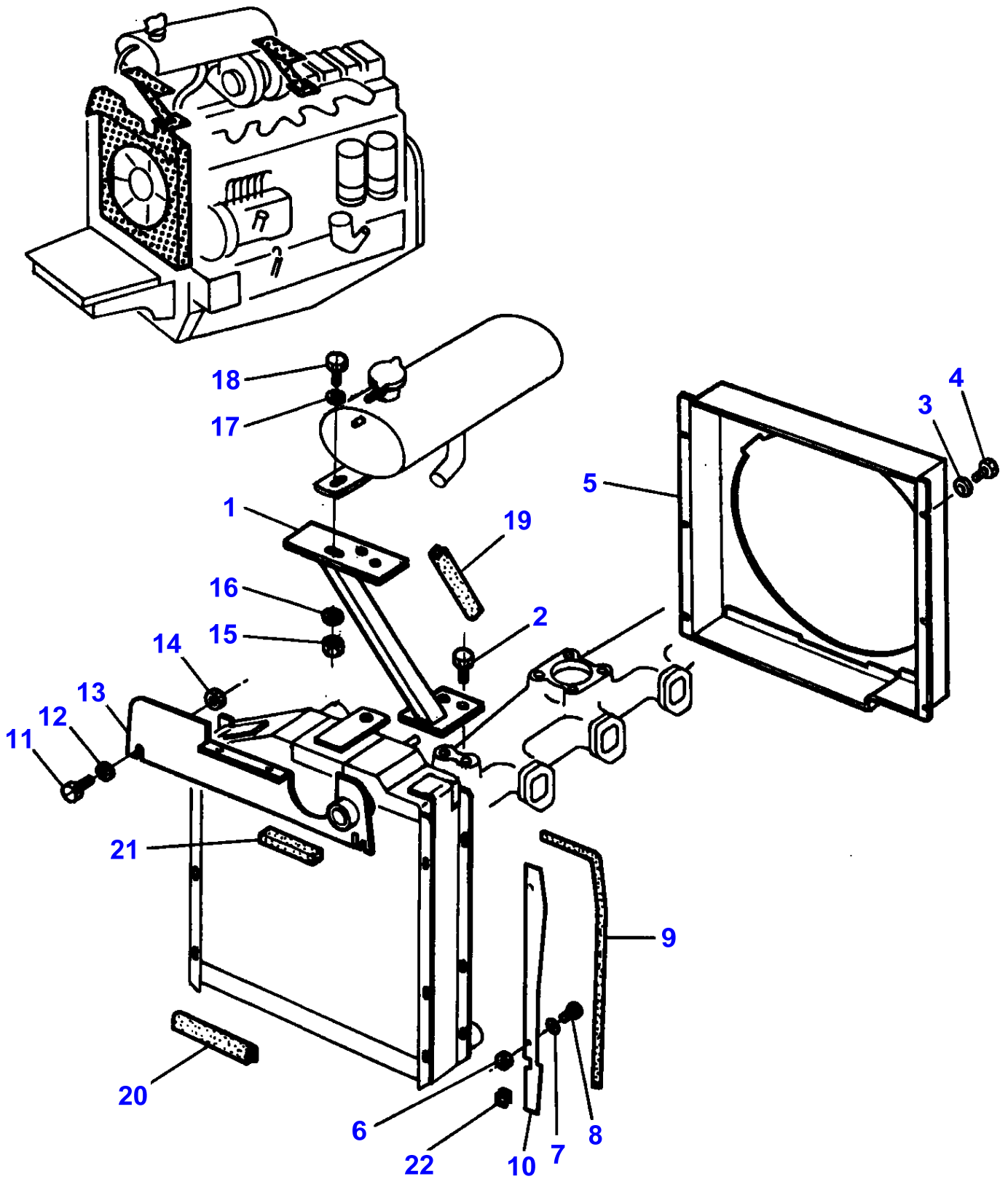


Item	Part Number	Qty	Description	Comments
				UP TO NO C146005
1	3389731M3	1	Radiator	
2	339123X1	1	Screw Metric	
3	3580327M1	1	Tube	
4	338612X1	2	Hose Clip	Up to Serial or Engine Number C032000
	3712465M1	2	Clamp	From Serial or Engine Number C032001
5	180224M92	1	Radiator Cap	
6	3389732M2	1	Tank	
7	338618X1	2	Hose Clip	
8	3389736M1	1	Water Hose	
9	3389730M2	1	Support	
10	390972X1	1	Washer Metric	
11	339169X1	1	Nut Metric	
12	390972X1	1	Washer Metric	
13	339123X1	1	Screw Metric	M8X20
14	3389740M1	1	Hose	
15	338615X1	2	Clamp	
16	338618X1	2	Hose Clip	
17	3580014M1	1	Water Hose	
18	390246X1	2	Bolt	
19	390972X1	2	Washer Metric	
20	390734X1	2	Washer Metric	Diameter 10MM
21	339081X1	2	Screw Metric	M10X20
22	339401X1	4	Screw Metric	M10X25
23	3580288M93	1	Support	Right Hand
	3580287M93	1	Support	Left Hand
24	3580646M92	1	Shield	
	3617907M1	1	Cowl	[A]
25	950302M1	2	Clip	
26	391038X1	2	Washer Metric	
27	391074X1	2	Screw Metric	M6X12
28	3583427M1	1	Tube	
29	3389729M2	1	Support	
30	3582590M1	1	Plug	
31	3581180M1	2	Foam	
32	1684845M1	1	Gasket	
33	390734X1	4	Washer Metric	Diameter 10MM
34	3900579M1	1	Plug	[B] (1)
35	3900580M1	1	Gasket	(1)

[A]
FOR FRONT P.T.O.

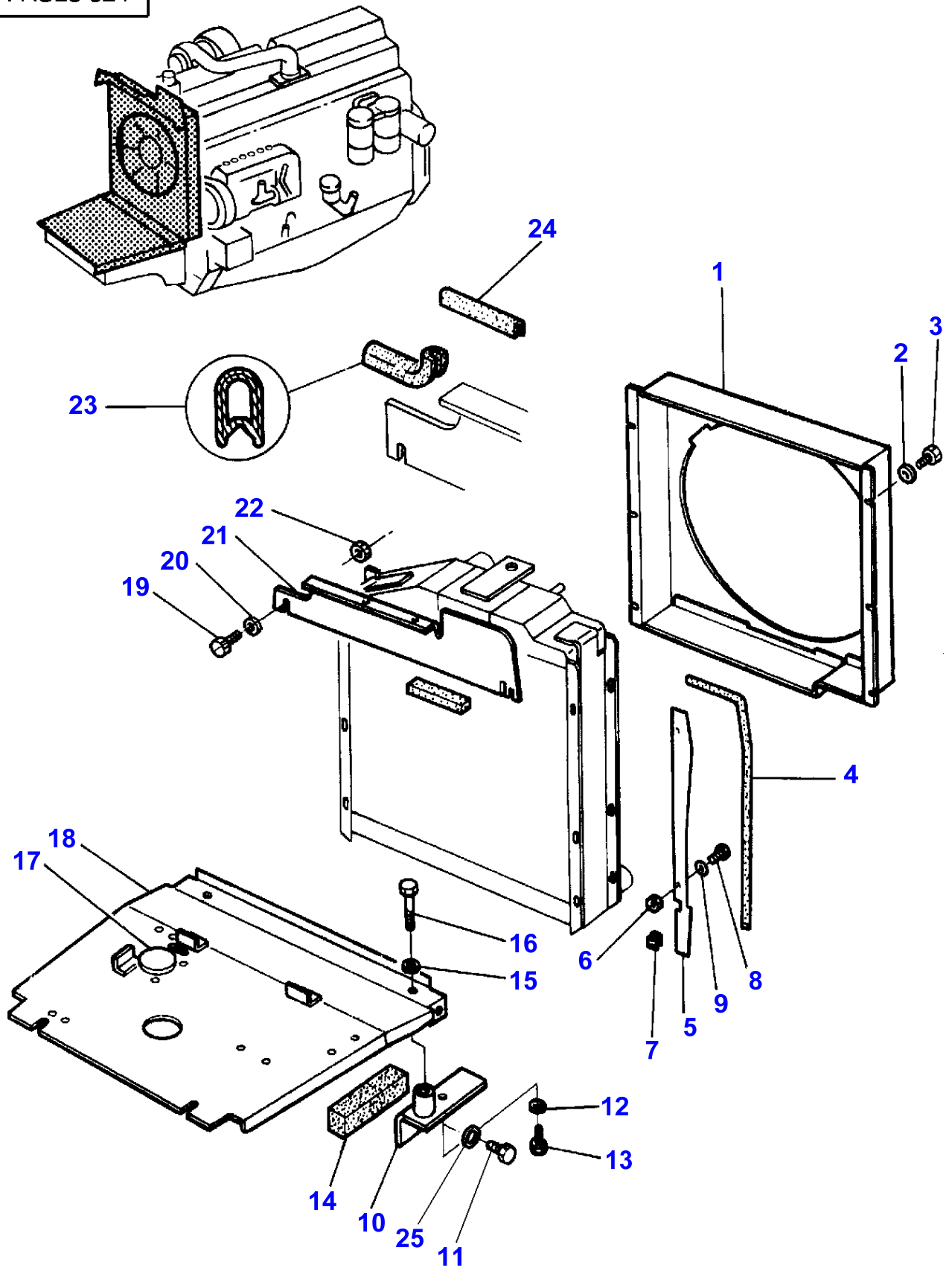
[B]
DRAIN PLUG

1-AC23 - 014



Item	Part Number	Qty	Description	Comments
				UP TO NO C146005
1	3389713M2	2	Support	
2	339124X1	4	Screw Metric	
3	391038X1	6	Washer Metric	Diameter 6MM
4	391074X1	6	Screw Metric	M6X12
5	3581602M4	1	Shroud	M6
6	339030X1	4	Nut Metric	
7	390971X1	4	Washer Metric	Diameter 6MM
8	391074X1	4	Screw Metric	
9	3386200M2	2	Gasket	Length 1160MM
10	3615680M1	2	Support	
11	391074X1	2	Screw Metric	M6X12
12	390971X1	2	Washer Metric	Diameter 6MM
13	3615679M1	1	Support	
14	339030X1	2	Nut Metric	M6
15	339169X1	2	Nut Metric	M8
16	390972X1	2	Washer Metric	Diameter 8MM
17	390972X1	2	Washer Metric	Diameter 8MM
18	339123X1	2	Screw Metric	M8X20
19	3580695M1	1	Gasket	Length 1600 MM
20	3580695M1	1	Gasket	Length 1600 MM
21	3380722M1	1	Gasket	Length 95MM
22	826874M1	2	Clip	

1-AC23-024

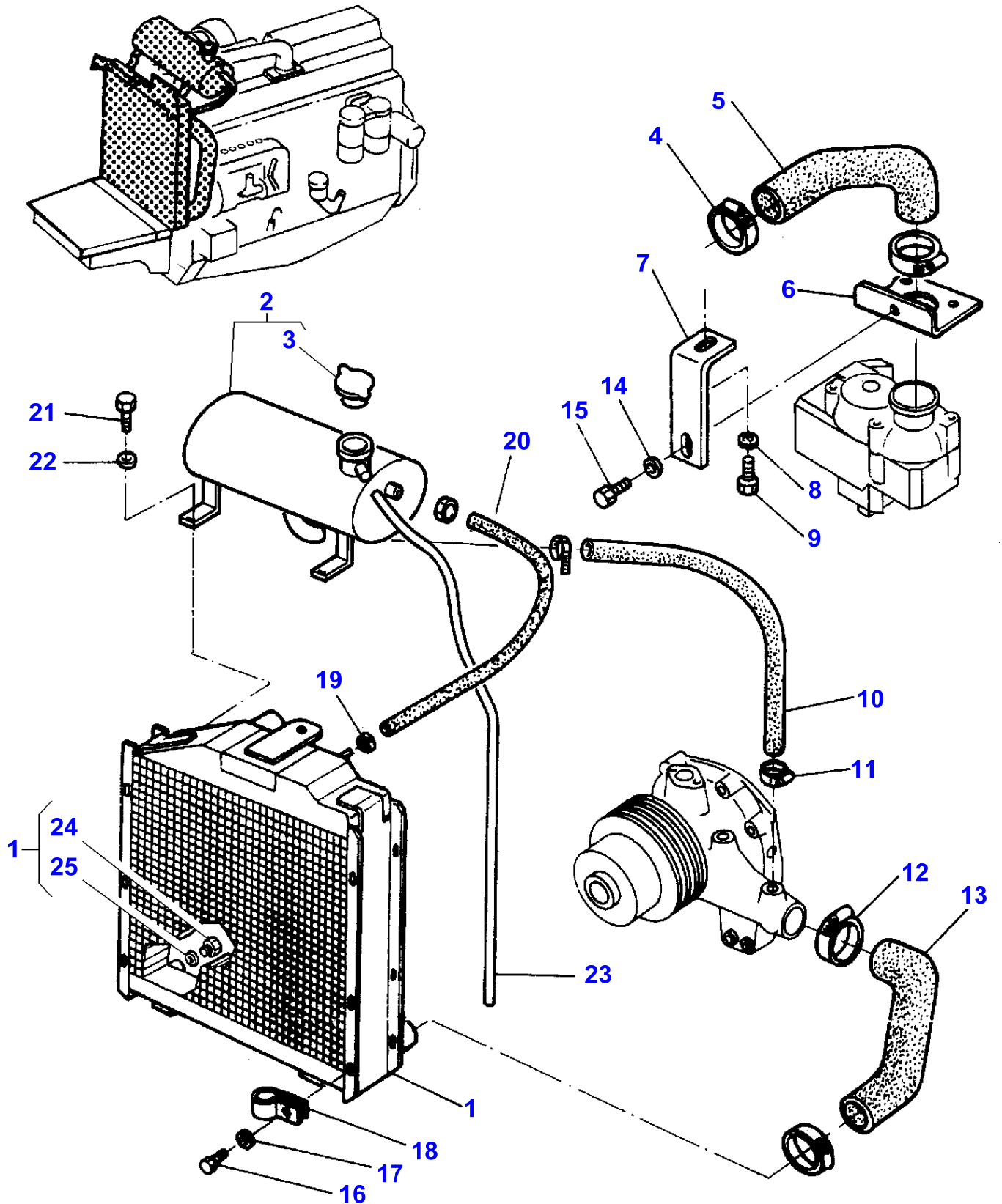


Item	Part Number	Qty	Description	Comments
				FROM NO C146006
1	3581602M4	1	Shroud	
2	391038X1	6	Washer Metric	Diameter 6MM
3	391074X1	6	Screw Metric	M6X12
4	3386200M3	1	Gasket	Length 1160MM
5	3615680M1	2	Support	
6	339030X1	4	Nut Metric	M6
7	826874M1	2	Clip	
8	391074X1	4	Screw Metric	M6X12
9	390971X1	4	Washer Metric	Diameter 6MM
10	3580288M93	1	Support	Right Hand
	3580287M93	1	Support	Left Hand
11	339401X1	4	Screw Metric	M10X25
12	390734X1	2	Washer Metric	Diameter 10MM
13	339081X1	2	Screw Metric	M10X20
14	3581180M1	2	Foam	
15	390972X1	2	Washer Metric	Diameter 8MM
16	390246X1	2	Bolt	M8X70
17	3582590M1	1	Plug	
18	3616920M2	1	Baffle	
	3617908M1	1	Cowl	[A]
19	391074X1	2	Screw Metric	M6X12
20	390971X1	2	Washer Metric	Diameter 6MM
21	3616922M3	1	Baffle	
22	339030X1	2	Nut Metric	M6
23	3580695M1	1	Gasket	Length 250MM
24	3380722M1	1	Gasket	Length 95MM
	3712639M1	1	Gasket	[B] Length 355MM
25	390734X1	4	Washer Metric	Diameter 10MM

[A]
FOR FRONT P.T.O.

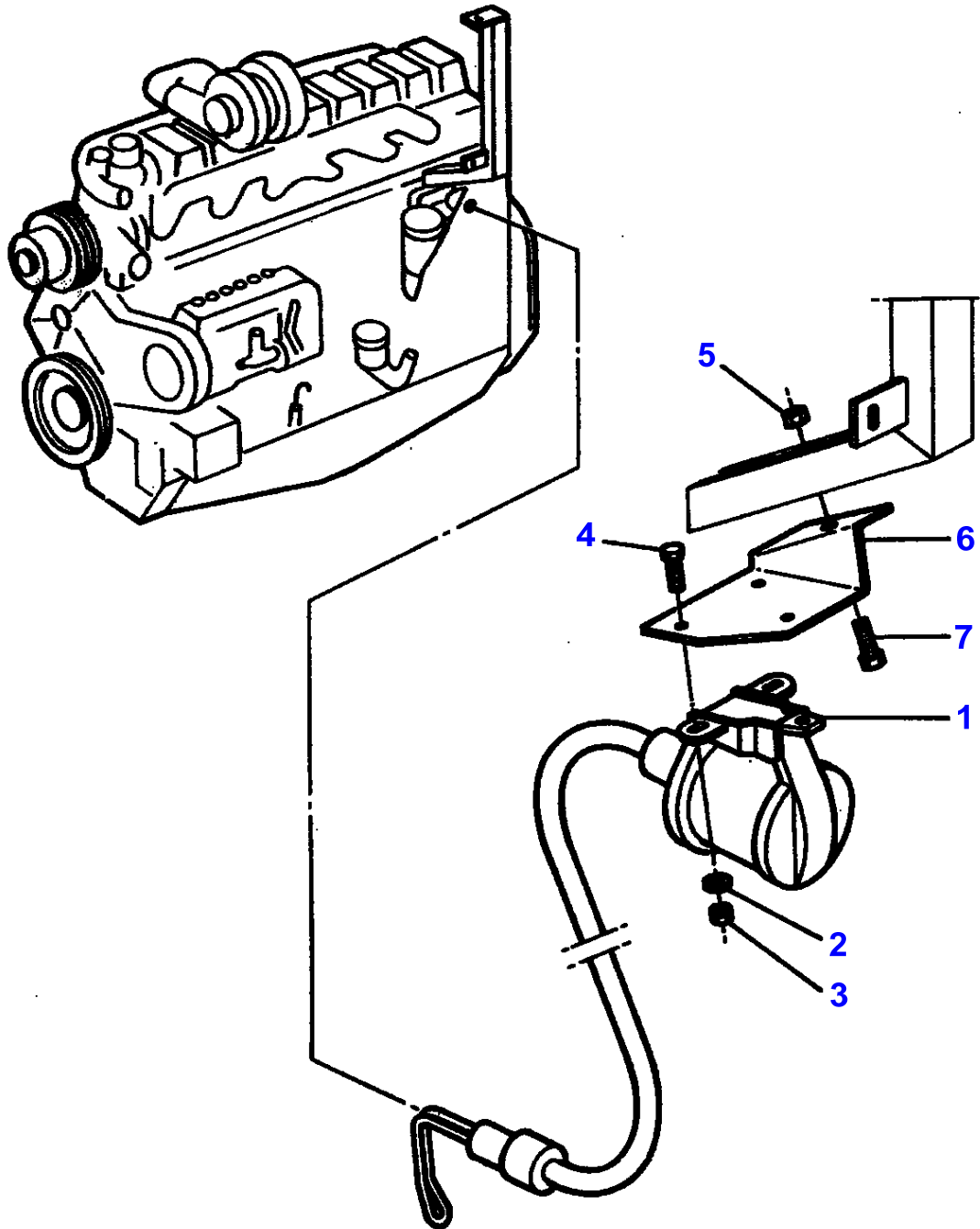
[B]
AUSTRIA

1-AC23-506-A



Item	Part Number	Qty	Description	Comments
				FROM NO C146006
1	3389731M3	1	Radiator	
2	3714233M91	1	Tank	
3	180224M92	1	Radiator Cap	(2)
4	338618X1	2	Hose Clip	
5	3389736M1	1	Water Hose	
6	3389730M2	1	Support	
7	3616923M1	1	Support	
8	390972X1	1	Washer Metric	
9	339123X1	1	Screw Metric	M8X20
10	3616925M1	1	Hose	
11	338615X1	2	Clamp	
12	338618X1	2	Hose Clip	
13	3580014M1	1	Water Hose	
14	390972X1	1	Washer Metric	
15	339123X1	1	Screw Metric	M8X20
16	391074X1	2	Screw Metric	M6X12
17	391038X1	2	Washer Metric	
18	950302M1	2	Clip	
19	338612X1	2	Hose Clip	Up to Serial or Engine Number C032000
	3712465M1	2	Clamp	From Serial or Engine Number C032001
20	3617088M1	1	Tube	
21	339123X1	2	Screw Metric	M8X20
22	390972X1	2	Washer Metric	
23	3583427M1	1	Tube	
24	3900579M1	1	Plug	[A] (1)
26	3900580M1	1	Gasket	(1)
			[A]	
			DRAIN PLUG	

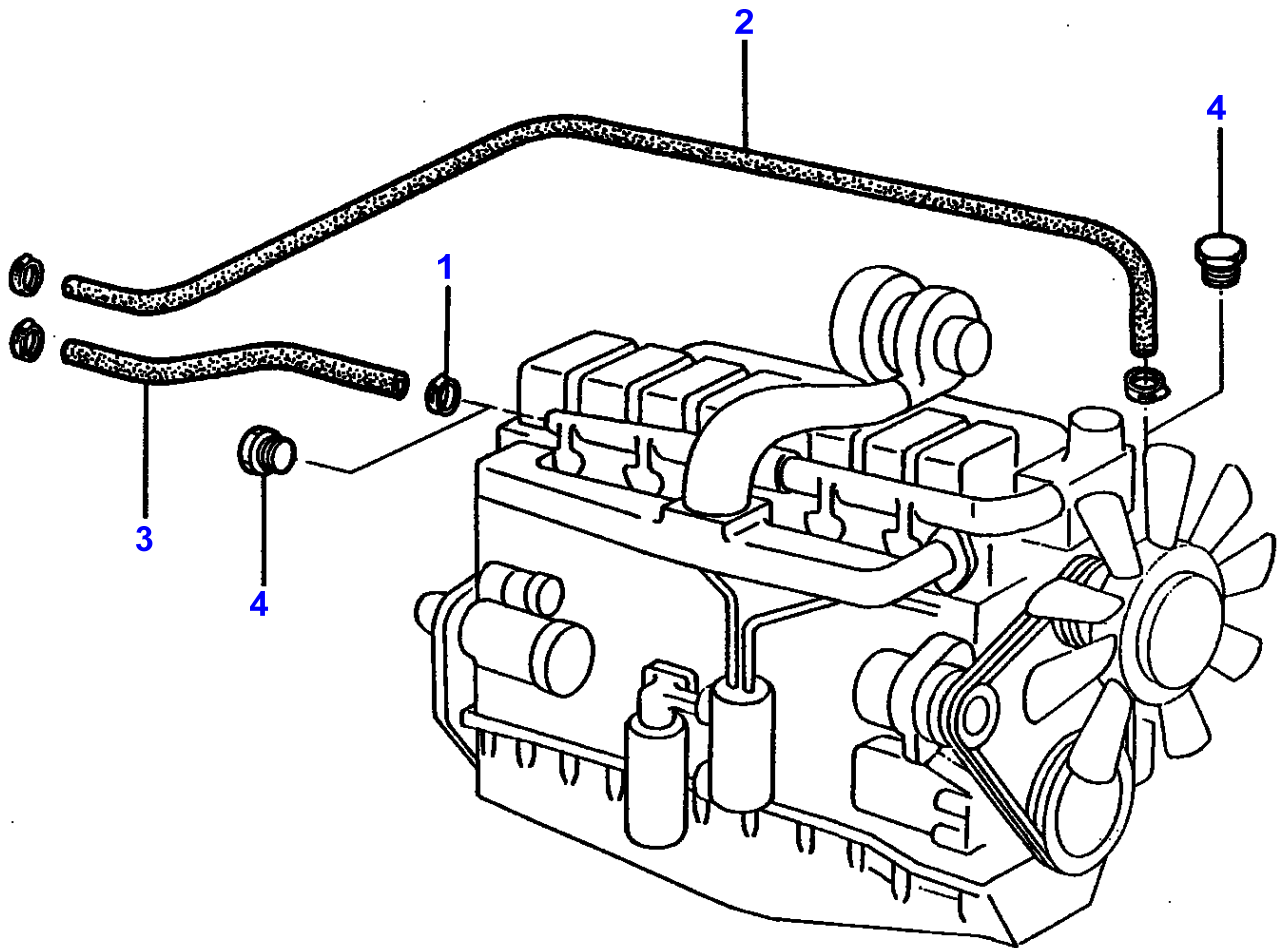
1-AC38-005



MASSEY FERGUSON**MF 3690 TRACTOR - 1637223****1637223****HEATER-ENGINE BLOCK****68**

Item	Part Number	Qty	Description	Comments
1	3615752M2	1	Element	
2	3006154X1	4	Washer	
3	1443615X1	3	Nut Metric	
4	3009531X1	3	Screw Metric	M4X12
5	339169X1	1	Nut Metric	
6	3615753M1	1	Support	
7	339228X1	1	Screw Metric	M8X12

1-AC28-005

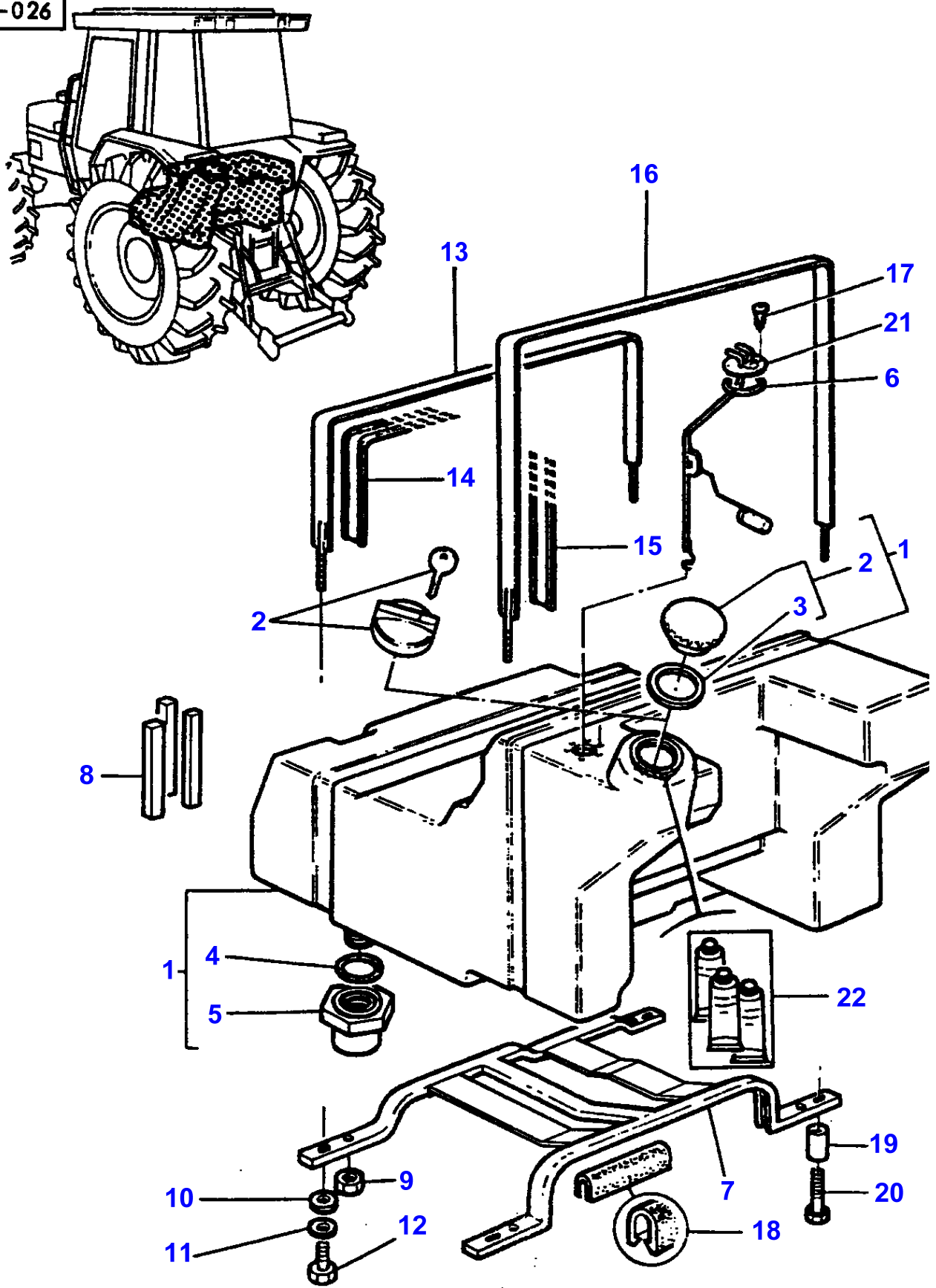


CAB HEATING SYSTEM-ENGINE PART

Item	Part Number	Qty	Description	Comments
1	3019564X1	4	Hose Clip	
2	3580928M1	1	Hose	Length 2300MM
3	3580959M2	1	Hose	Length 1300MM
4	3429400M1	2	Plug	[A] Repairs and replaces 884691M2

[A]
WITHOUT HEATING

1-AC02-026



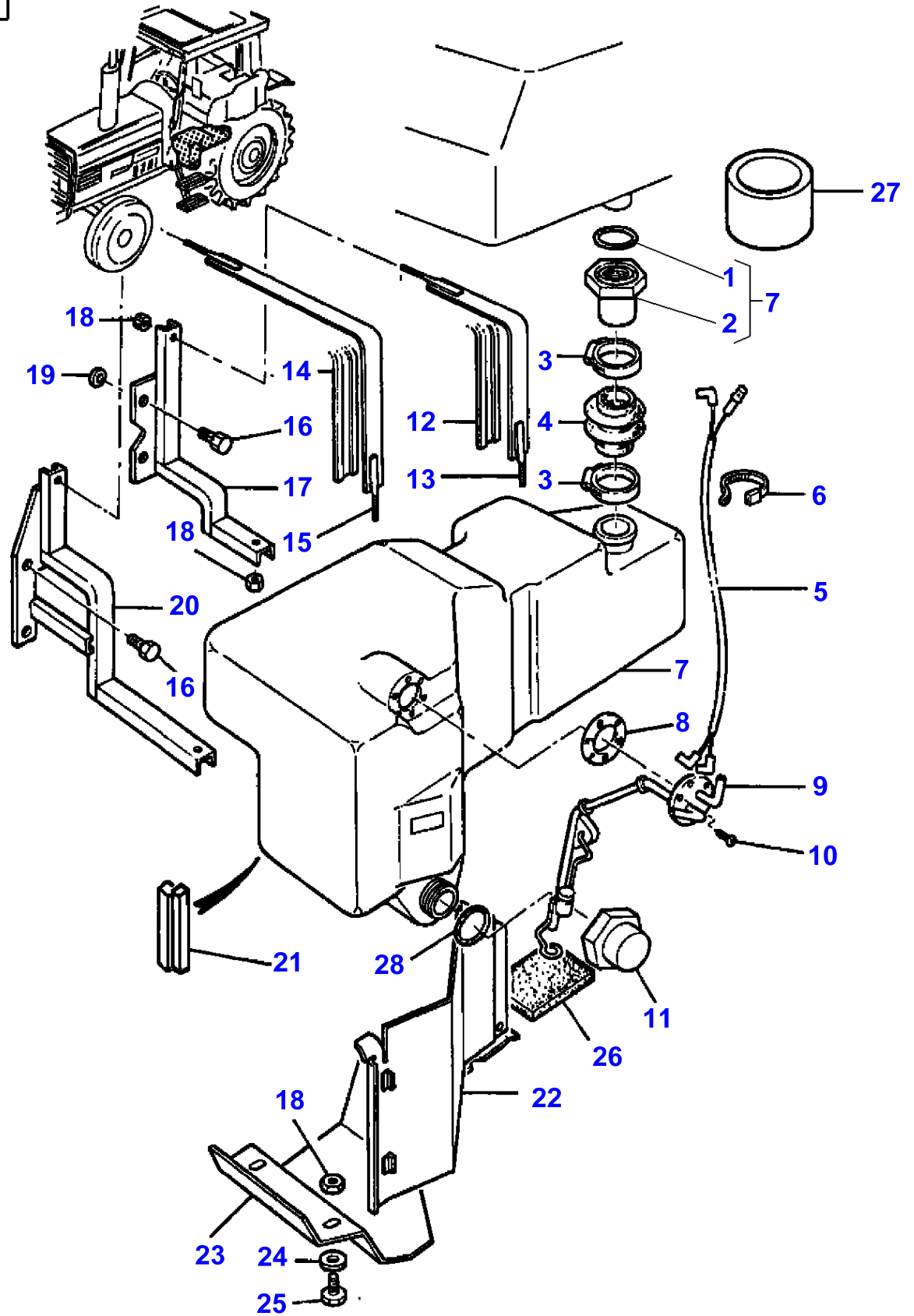
FUEL SYSTEM-FUEL TANK AND ATTACHMENTS

Item	Part Number	Qty	Description	Comments
1	3388560M97	1	Tank	246 L
	3388560M98	1	Tank	[A] From Serial or Engine Number C157028
2	3041489M4	1	Plug	(1)
	3616543M1	1	Locking Cap	
3	3600433M1	1	Gasket	(2)
4	3616911M1	1	Gasket	(1)
5	3616909M1	1	Plug	(1)
6	1617869M2	1	Gasket	
7	3388043M93	1	Support	
8	3600195M91	1	Parts Pack	
9	1441500X1	4	Locknut	Diameter M6
10	390972X1	2	Washer Metric	
11	339374X1	4	Lock Washer	
12	339124X1	2	Screw Metric	Diameter M8X16MM
13	3388513M92	1	Bridle	
14	3388120M2	1	Protector	
15	3388122M2	1	Protector	
16	3388515M92	1	Bridle	
17	360351X1	6	Screw	
18	3580695M1	2	Gasket	Length 1600 MM
	3580695M1	1	Gasket	Length 250MM
19	3045014M2	2	Spacer	
20	339337X1	2	Screw Metric	Diameter M8X30 391921X1
21	3580966M92	1	Dipstick	
	3713030M1	1	Dipstick	[B] From Serial or Engine Number C157028
21	3582874M2	1	Dipstick	[A]
	3713031M1	1	Dipstick	[A,B] From Serial or Engine Number C157028
22	3600444M91	X	Kit, Service	

[A]
WITH ADDITIONAL FUEL TANK

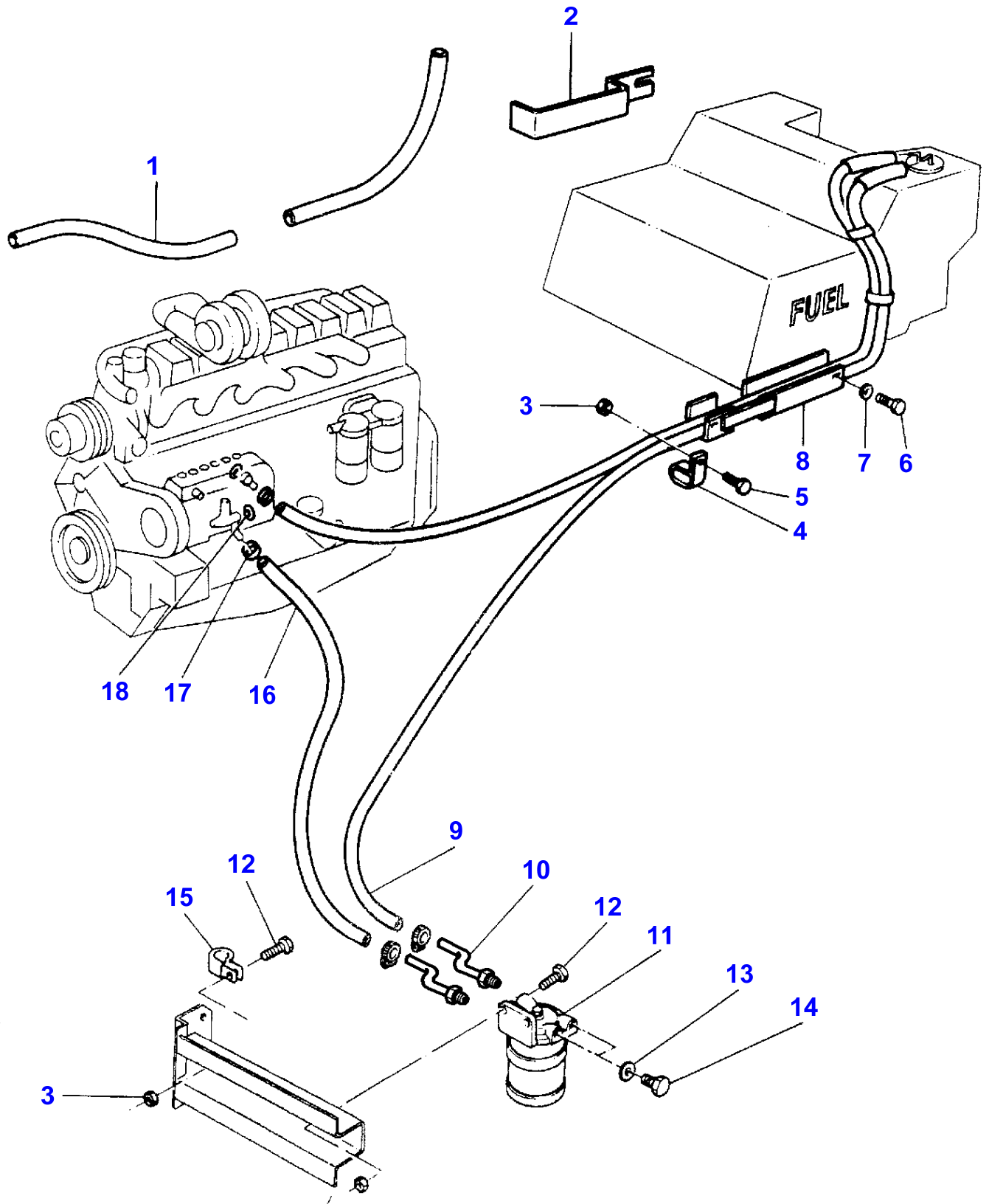
[B]
WITH LOAD SENSING

1-AC02-506-A



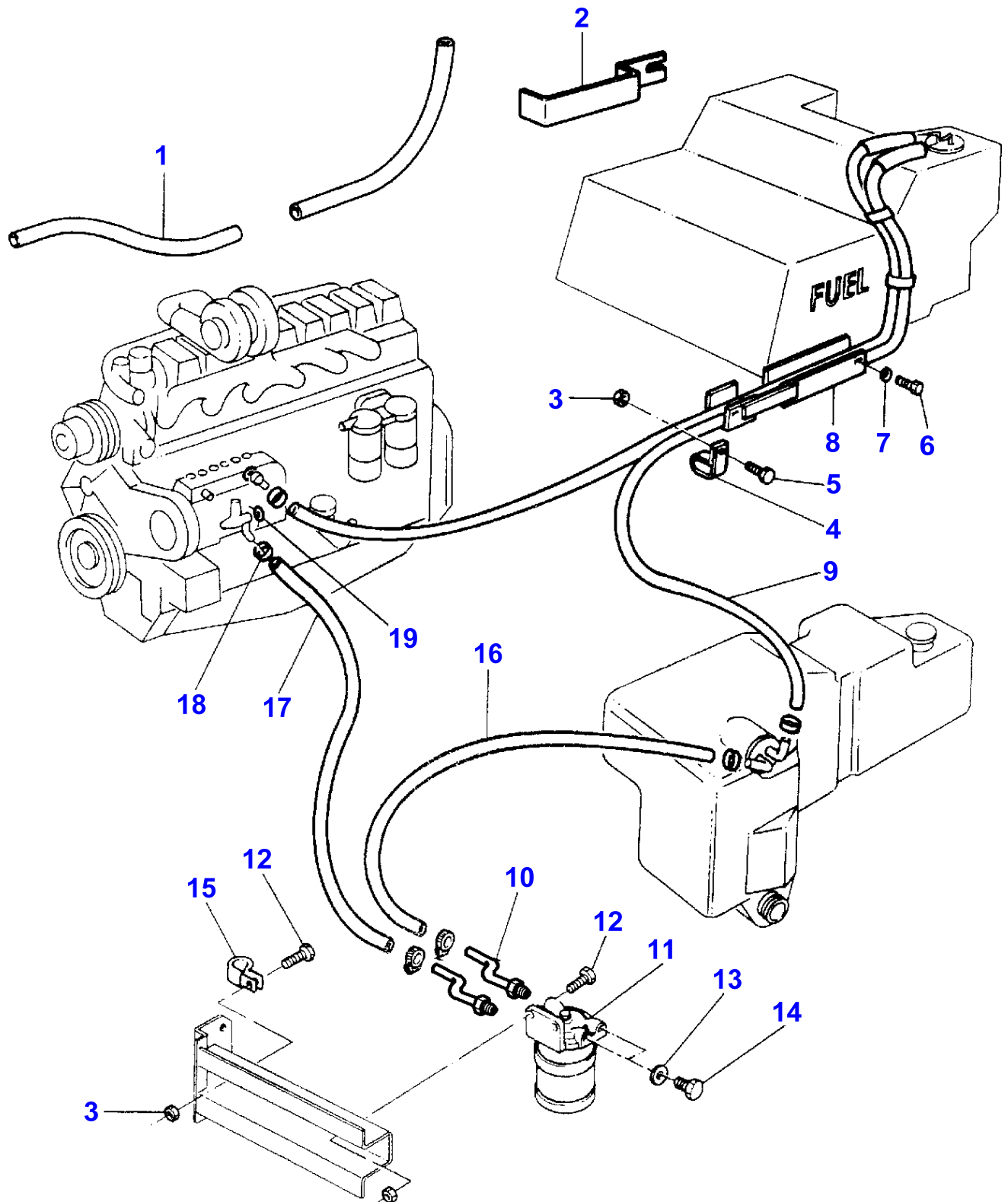
Item	Part Number	Qty	Description	Comments
				ADDITIONAL TANK
1	3616911M1	1	Gasket	(7)
2	3616910M1	1	Adaptor	(7)
3	1440860X1	2	Clamp	
4	3582877M1	1	Hose	
5	3582936M1	1	Harness	
6	3619622M1	3	Tie	
7	3583103M93	1	Tank	60 LITRES
8	1617869M2	1	Gasket	
9	3582876M1	1	Dipstick	
10	3005728X1	6	Screw	
11	3616909M1	1	Plug	
12	3582887M1	1	Protector	
13	3582883M91	1	Bridle	
14	3582888M1	1	Protector	
15	3582885M91	1	Bridle	
16	354704X1	4	Screw Unc	
17	3582880M1	1	Support	
18	1441500X1	8	Locknut	
19	385365X1	2	Washer	
20	3582881M1	1	Support	
21	3600195M91	1	Parts Pack	
22	3583524M1	1	Cowl	
23	3583105M1	1	Cowl	
24	390972X1	2	Washer Metric	
25	339228X1	2	Screw Metric	
26	3583526M1	1	Protector	
27	3583106M1	1	Sheath	
28	3616911M1	1	Gasket	

1-AC24-055

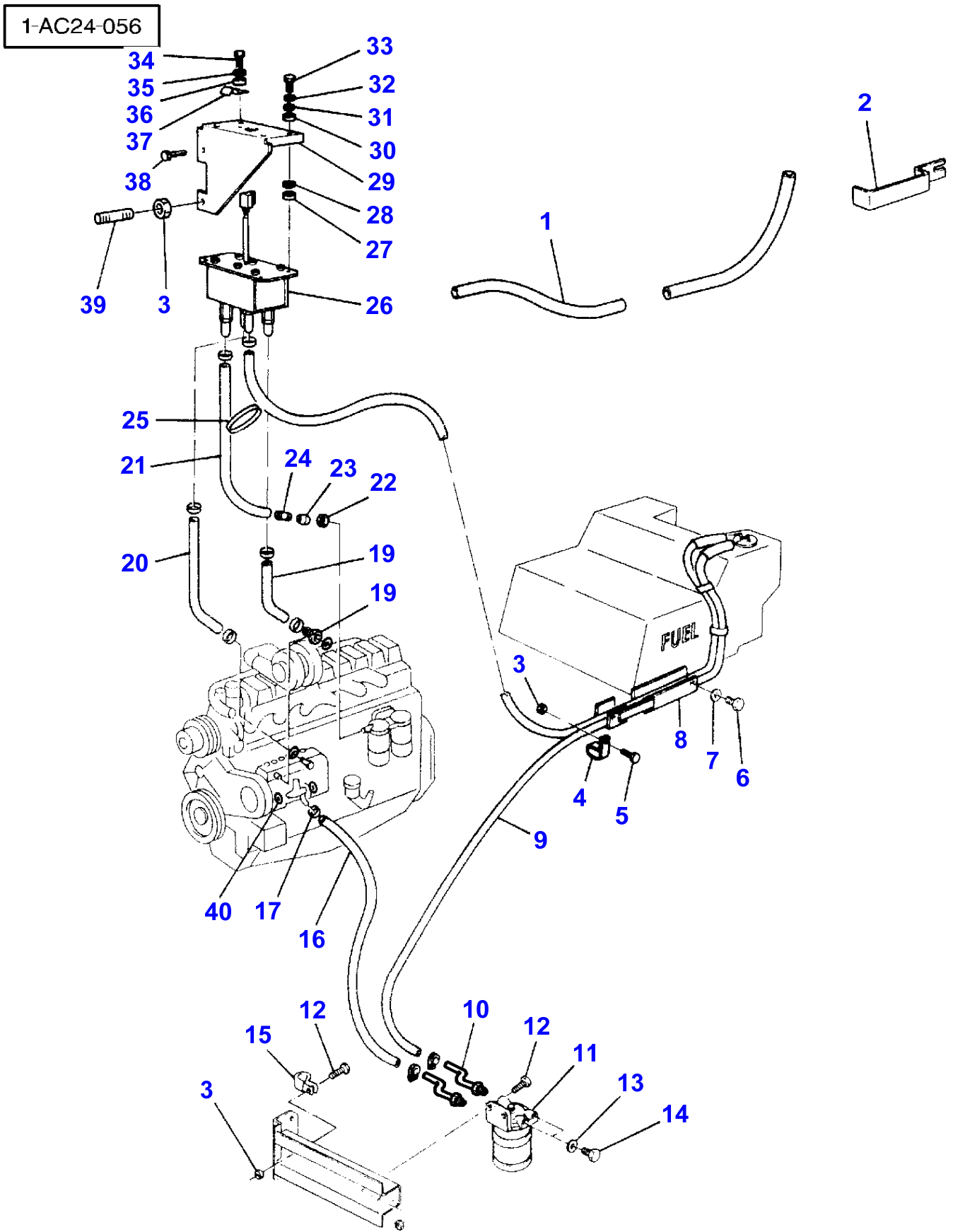


Item	Part Number	Qty	Description	Comments
				WITHOUT ADDITIONAL TANK - WITHOUT FUEL DEBIT
1	3580974M2	2	Protective Strip	
2	3387280M2	1	Bridle	
3	339169X1	5	Nut Metric	Diameter M8
4	3386294M1	2	Strap	
5	339124X1	2	Screw Metric	Diameter M8
6	391074X1	2	Screw Metric	Diameter M6
7	390971X1	2	Washer Metric	Diameter M6
8	3388042M91	1	Cowl	
9	3615354M3	1	Tubing	
10	3712174M2	2	Tube	
11	1695571M91	1	Sediment Bowl	
12	339761X1	3	Screw Metric	Diameter M8X25
13	731388M1	2	Washer	
14	731364M1	2	Plug	
15	3387756M1	2	Strap	
16	3615357M1	1	Hydr Hose	Length 1400MM
17	338612X1	4	Hose Clip	Up to Serial or Engine Number C032000
	3712465M1	4	Clamp	From Serial or Engine Number C032001
18	1440012X1	2	Gasket	

1-AC24-054

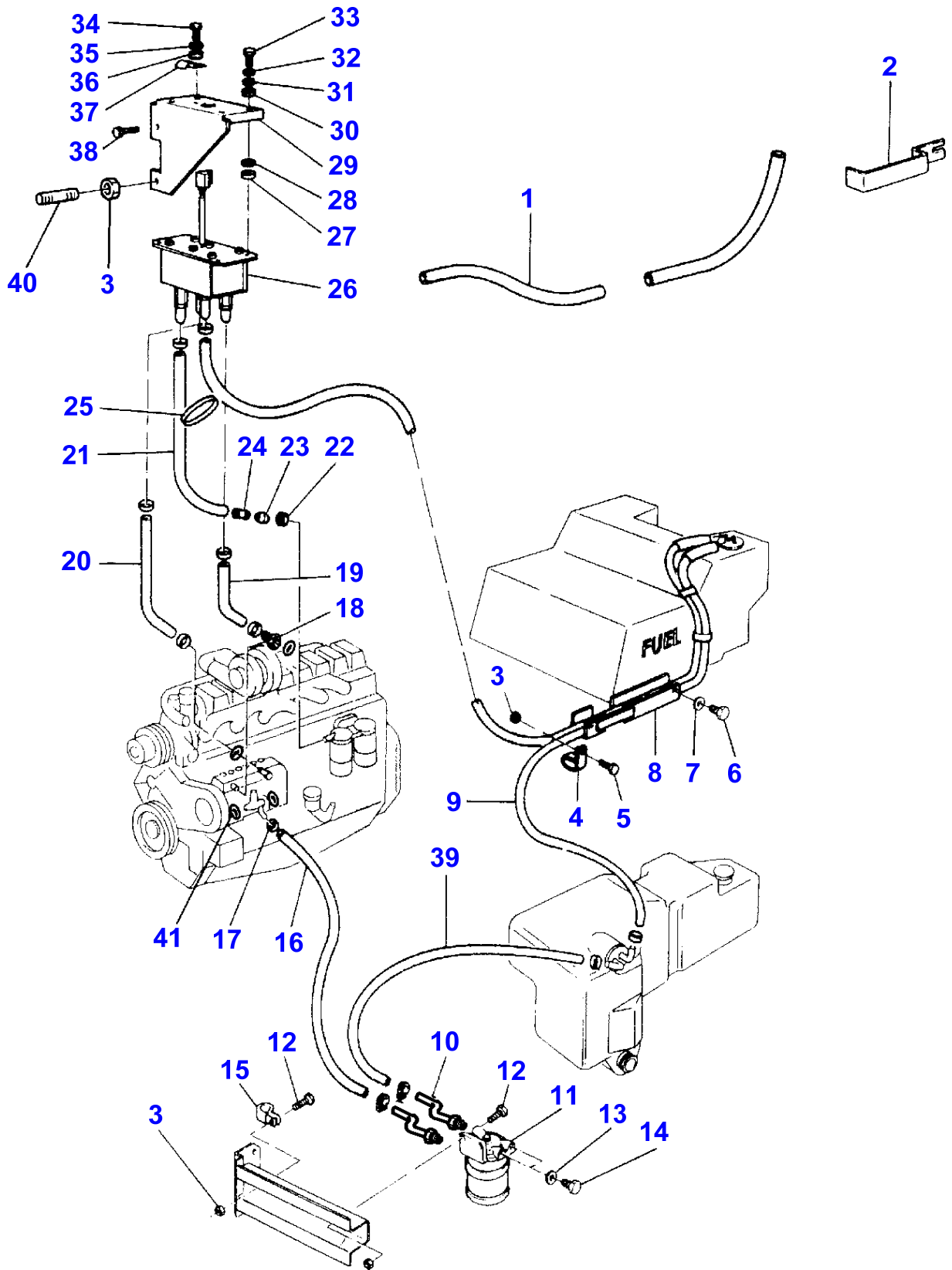


Item	Part Number	Qty	Description	Comments
				WITH ADDITIONAL TANK - WITHOUT FUEL DEBIT
1	3580974M2	2	Protective Strip	
2	3387280M2	1	Bridle	
3	339169X1	5	Nut Metric	Diameter M8
4	3386294M1	2	Strap	
5	339124X1	2	Screw Metric	Diameter M8
6	391074X1	2	Screw Metric	Diameter M6
7	390971X1	2	Washer Metric	Diameter M6
8	3388042M91	1	Cowl	
9	3615353M2	1	Tubing	
10	3712174M2	2	Tube	
11	1695571M91	1	Sediment Bowl	
12	339761X1	3	Screw Metric	Diameter M8X25
13	731388M1	2	Washer	
14	731364M1	2	Plug	
15	3387756M1	2	Strap	
16	3615358M1	1	Hydr Hose	Length 1250MM
17	3615357M1	1	Hydr Hose	Length 1400MM
18	338612X1	6	Hose Clip	Up to Serial or Engine Number C032000
	3712465M1	6	Clamp	From Serial or Engine Number C032001
19	1440012X1	2	Gasket	



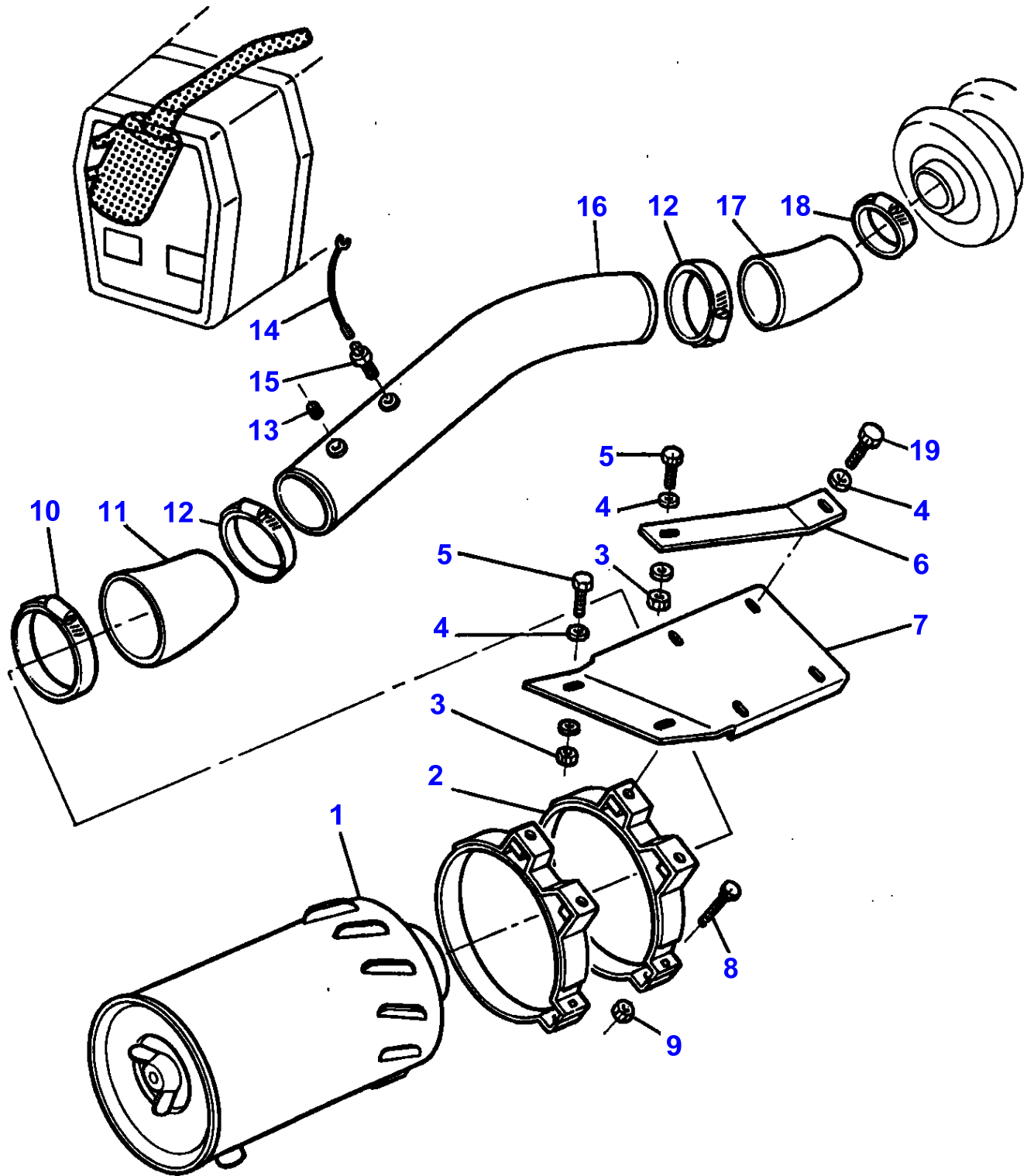
Item	Part Number	Qty	Description	Comments
				WITHOUT ADDITIONAL TANK - WITH FUEL DEBIT
1	3580974M2	2	Protective Strip	
2	3387280M2	1	Bridle	
3	339169X1	6	Nut Metric	Diameter M8
4	3386294M1	2	Strap	
5	339124X1	2	Screw Metric	Diameter M8X16MM
6	391074X1	2	Screw Metric	
7	390971X1	2	Washer Metric	
8	3388042M91	1	Cowl	
9	3615354M3	1	Tubing	
10	3712174M2	2	Tube	
11	1695571M91	1	Sediment Bowl	
12	339761X1	3	Screw Metric	Diameter M8X25
13	731388M1	2	Washer	
14	731364M1	2	Plug	
15	3387756M1	2	Strap	
16	3615357M1	1	Hydr Hose	Length 1400MM
17	338612X1	X	Hose Clip	Up to Serial or Engine Number C032000
	3712465M1	X	Clamp	From Serial or Engine Number C032001
18	V836336066	1	Exhaust Pipe	Up to Serial or Engine Number
19	3582845M1	1	Tube	Length 115MM
20	3582846M1	2	Tube	
21	3582848M2	1	Tube	
22	739563M1	1	Nut	Up to Serial or Engine Number
23	739562M1	1	Olive	Up to Serial or Engine Number
24	3582833M1	2	Tube	Up to Serial or Engine Number
25	3619622M1	5	Tie	
26	3582830M1	1	Flowmeter	
27	3582832M1	4	Spacer	
28	3389410M1	4	Grommet	
29	3582831M3	1	Support	
30	3019560X1	4	Washer	Diameter 5MM
31	339024X1	4	Washer Metric	
32	339381X1	4	Lock Washer	Diameter 5MM
33	339563X1	4	Screw Metric	Diameter M5X20MM
34	391074X1	1	Screw Metric	Diameter M6X12MM
35	339375X1	1	Lock Washer	
36	390971X1	1	Washer Metric	
37	3597179M1	1	Clip	
38	339368X1	1	Bolt Metric	Diameter M8X60MM
39	339368X1	1	Bolt Metric	M8X60
40	1440012X1	4	Gasket	

1-AC24-057



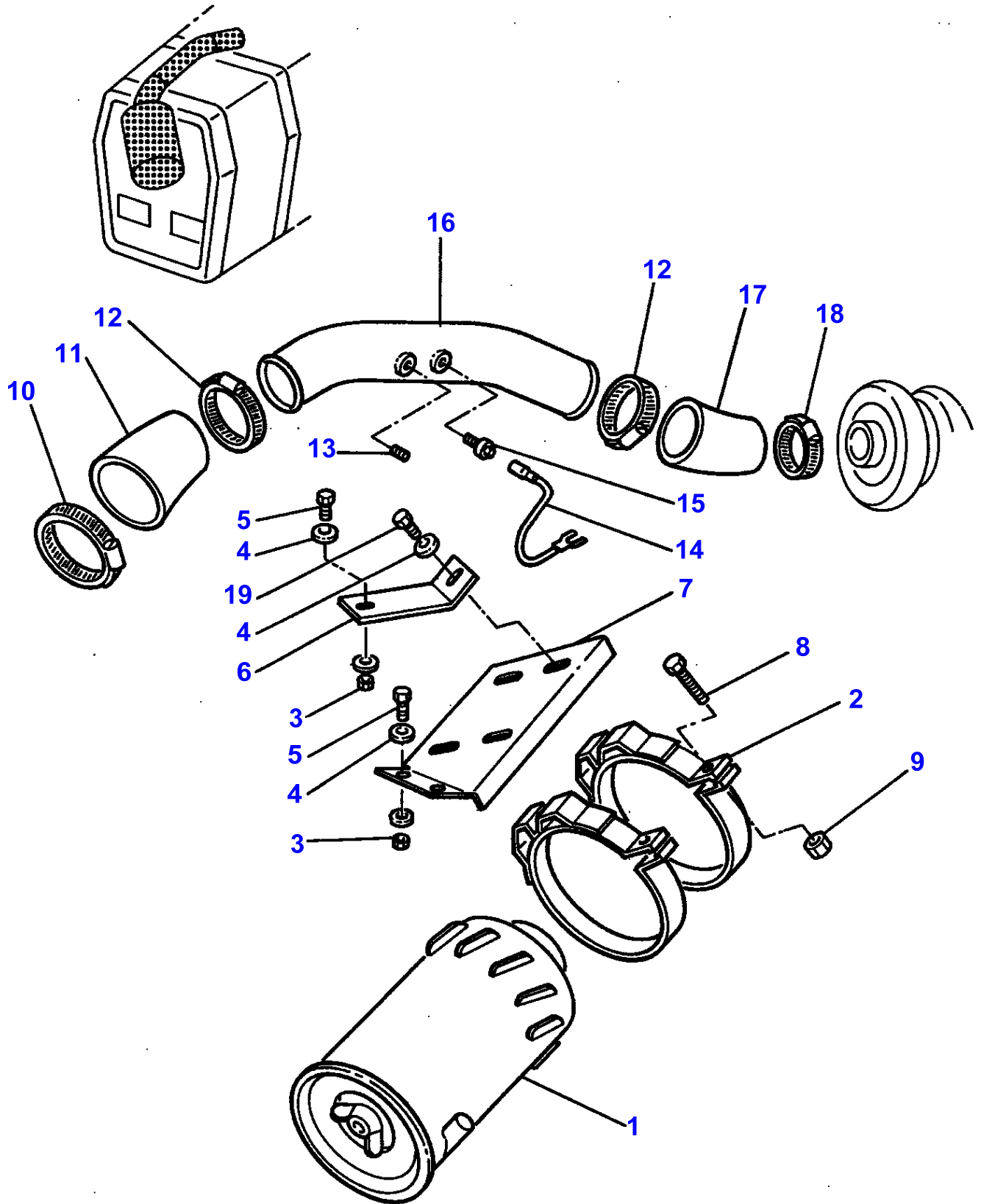
Item	Part Number	Qty	Description	Comments
				WITH ADDITIONAL TANK - WITH FUEL DEBIT
1	3580974M2	2	Protective Strip	
2	3387280M2	1	Bridle	
3	339169X1	6	Nut Metric	Diameter M8
4	3386294M1	2	Strap	
5	339124X1	2	Screw Metric	Diameter M8X16MM
6	391074X1	2	Screw Metric	
7	390971X1	2	Washer Metric	
8	3388042M91	1	Cowl	
9	3615353M2	1	Tubing	
10	3712174M2	2	Tube	
11	1695571M91	1	Sediment Bowl	
12	339761X1	3	Screw Metric	
13	731388M1	2	Washer	
14	731364M1	2	Plug	
15	3387756M1	2	Strap	
16	3615357M1	1	Hydr Hose	Length 1400MM
17	338612X1	X	Hose Clip	Up to Serial or Engine Number C032000
	3712465M1	X	Clamp	From Serial or Engine Number C032001
18	V836336066	1	Exhaust Pipe	Up to Serial or Engine Number
19	3582845M1	1	Tube	Length 115MM
20	3582846M1	2	Tube	
21	3582848M2	1	Tube	
22	739563M1	1	Nut	Up to Serial or Engine Number
23	739562M1	1	Olive	Up to Serial or Engine Number
24	3582833M1	2	Tube	Up to Serial or Engine Number
25	3619622M1	5	Tie	
26	3582830M1	1	Flowmeter	
27	3582832M1	4	Spacer	
28	3389410M1	4	Grommet	
29	3582831M3	1	Support	
30	3019560X1	4	Washer	Diameter 5MM
31	339024X1	4	Washer Metric	
32	339381X1	4	Lock Washer	Diameter 5MM
33	339563X1	4	Screw Metric	Diameter M5X20MM
34	391074X1	1	Screw Metric	Diameter M6X12MM
35	339375X1	1	Lock Washer	
36	390971X1	1	Washer Metric	
37	3597179M1	1	Clip	
38	339368X1	1	Bolt Metric	Diameter M8X60MM
39	3615358M1	1	Hydr Hose	Length 1250MM
40	339368X1	1	Bolt Metric	M8X60
41	1440012X1	4	Gasket	

1-AC 26-004



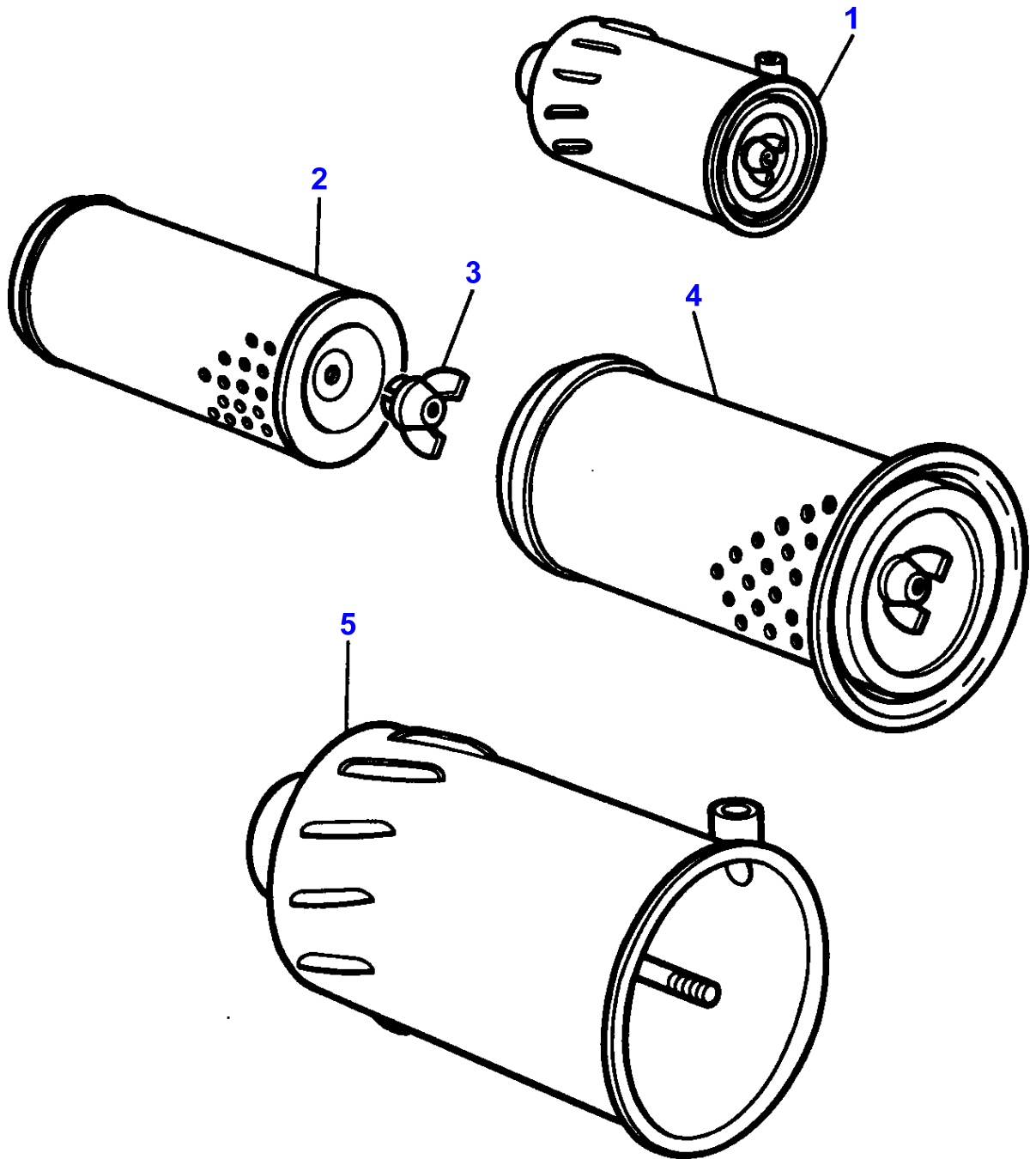
Item	Part Number	Qty	Description	Comments
				UP TO NO C146005
1		1	Air Filter	See Page - Reference Number 78/
2	3389794M1	2	Clamp	
3	339402X1	3	Nut Metric	Diameter M10
4	390734X1	10	Washer Metric	
5	339081X1	3	Screw Metric	M10X20
6	3389795M1	1	Strap	
7	3389769M3	1	Support	
8	339011X1	2	Bolt Metric	M8X45
9	339169X1	2	Nut Metric	Diameter M8
10	3010162X1	1	Clamp	Diameter 135-155MM
11	3389789M2	1	Hose	
12	3010159X1	2	Clamp	Diameter 100-125
13	355547X1	1	Plug	
14	3389517M1	1	Earth Strap	Repairs and replaces 3384457M1
15	3384456M1	1	Switch,Indirect	
16	3580493M91	1	Tube	
17	3389790M1	1	Hose	
18	3010156X1	1	Clamp	Diameter 70-90MM
19	339401X1	4	Screw Metric	Diameter M10X25

1-AC26-007



Item	Part Number	Qty	Description	Comments
				FROM NO C146006
1	3580722M92	1	Air Filter	See Page - Reference Number 78/
2	3389794M1	2	Clamp	
3	339402X1	3	Nut Metric	M10
4	390734X1	10	Washer Metric	
5	339081X1	3	Screw Metric	M10X20
6	3616928M1	1	Strap	
7	3616927M1	1	Support	
8	339011X1	2	Bolt Metric	M8X45
9	339169X1	2	Nut Metric	M8
10	3010162X1	1	Clamp	Diameter 135-155MM
11	3389789M2	1	Hose	
12	3010159X1	2	Clamp	Diameter 100-125
13	355547X1	1	Plug	
14	3389517M1	1	Earth Strap	Repairs and replaces 3384457M1
15	3384456M1	1	Switch,Indirect	
16	3616930M91	1	Tube	
17	3389790M1	1	Hose	Up to Serial or Engine Number D003014
	3712667M1	1	Hose	From Serial or Engine Number D003015
18	3010156X1	1	Clamp	Diameter 70-90MM
19	339401X1	4	Screw Metric	M10X25

1-AC20-002

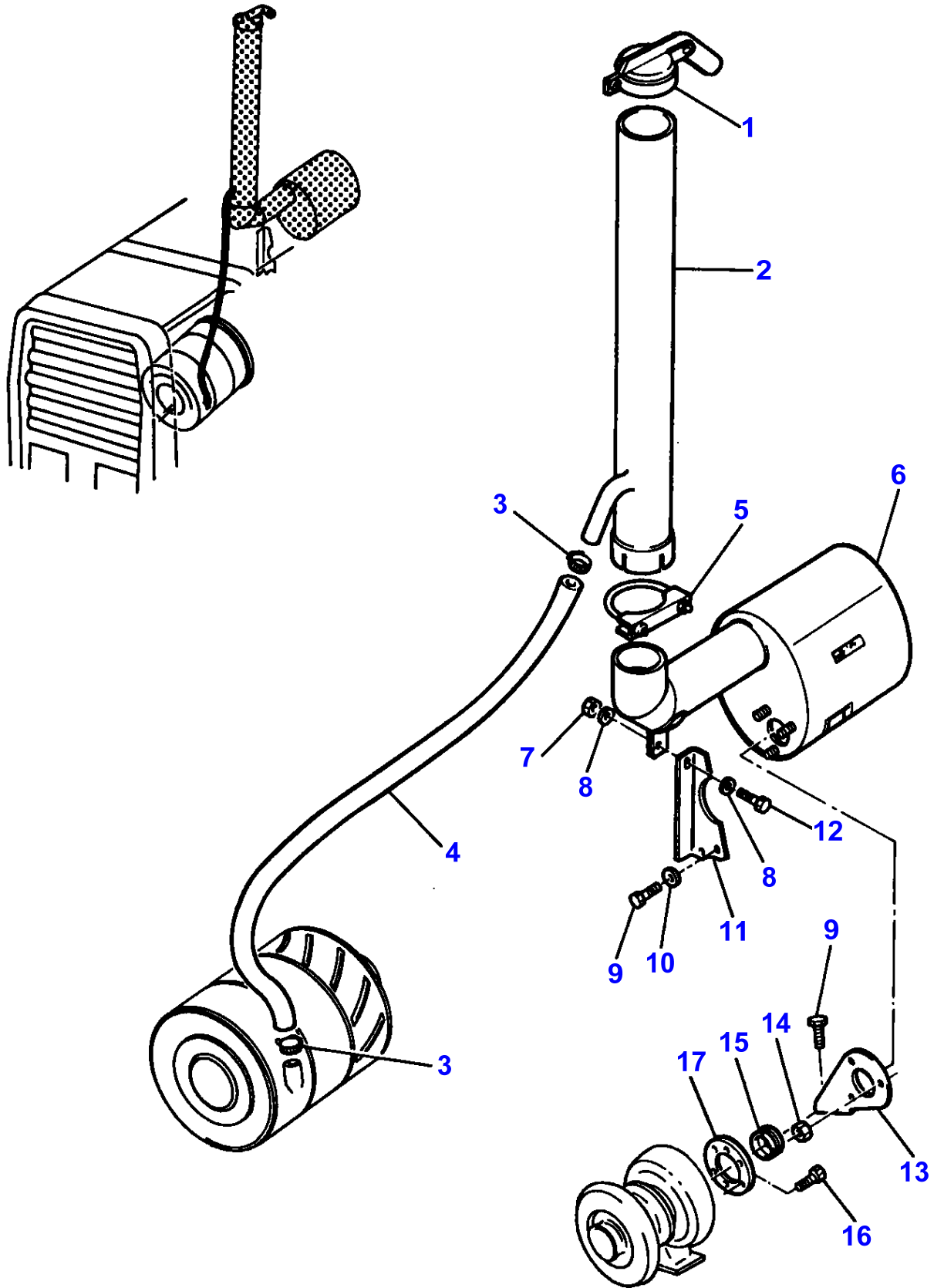


MASSEY FERGUSON**MF 3690 TRACTOR - 1637223****1637223****AIR FILTER-DRY - DUAL ELEMENT****78**

Item	Part Number	Qty	Description	Comments
1	3580722M92	1	Air Filter	
2	3580724M1	1	Air Fitr.Element	(1)
3	1062570M91	1	Nut	(1)
4	3580723M1	1	Air Fitr.Element	(1)
5		1	Filter Body	(1)

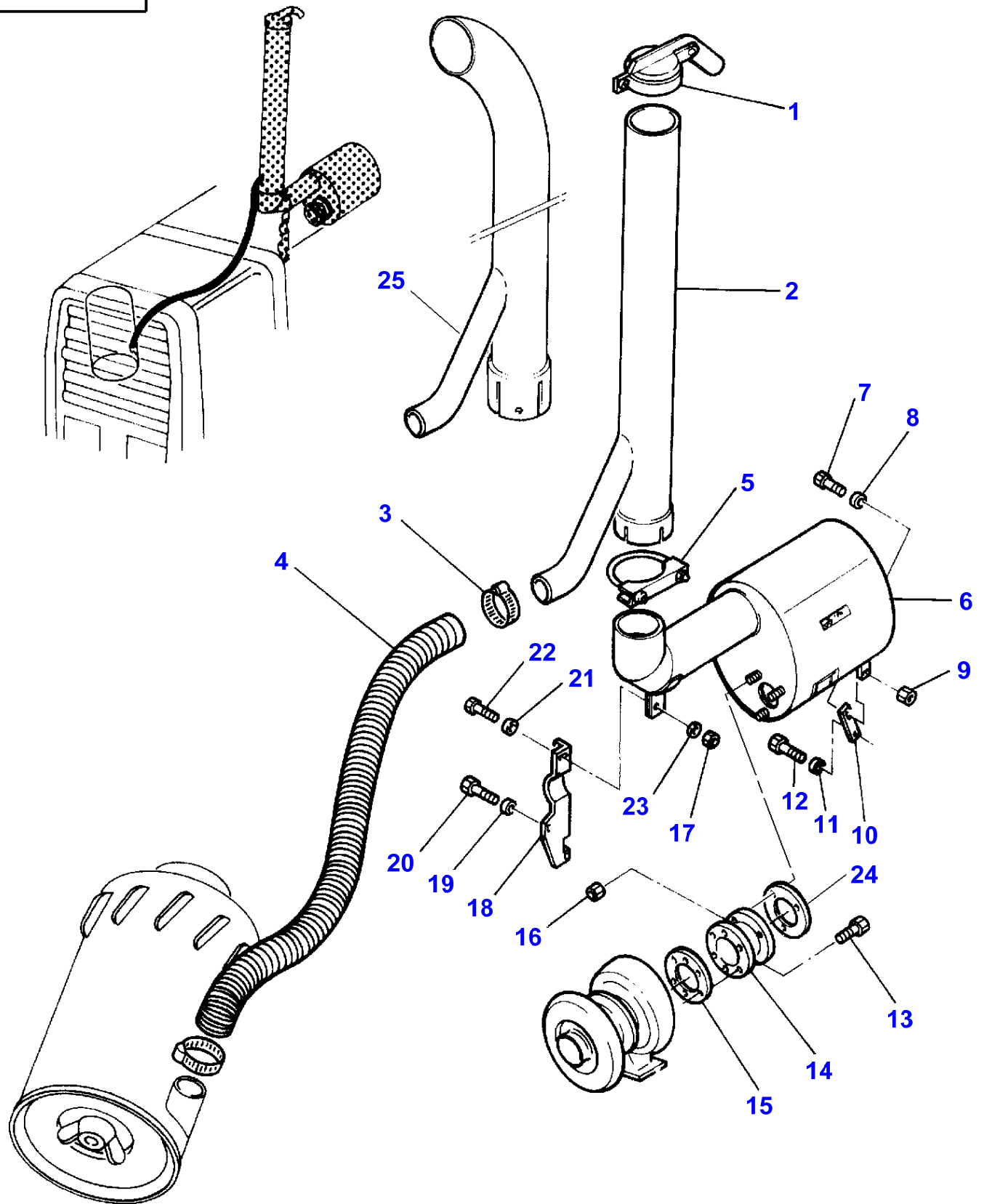
Not serviced, order REF.NO 1

1-AC11-005



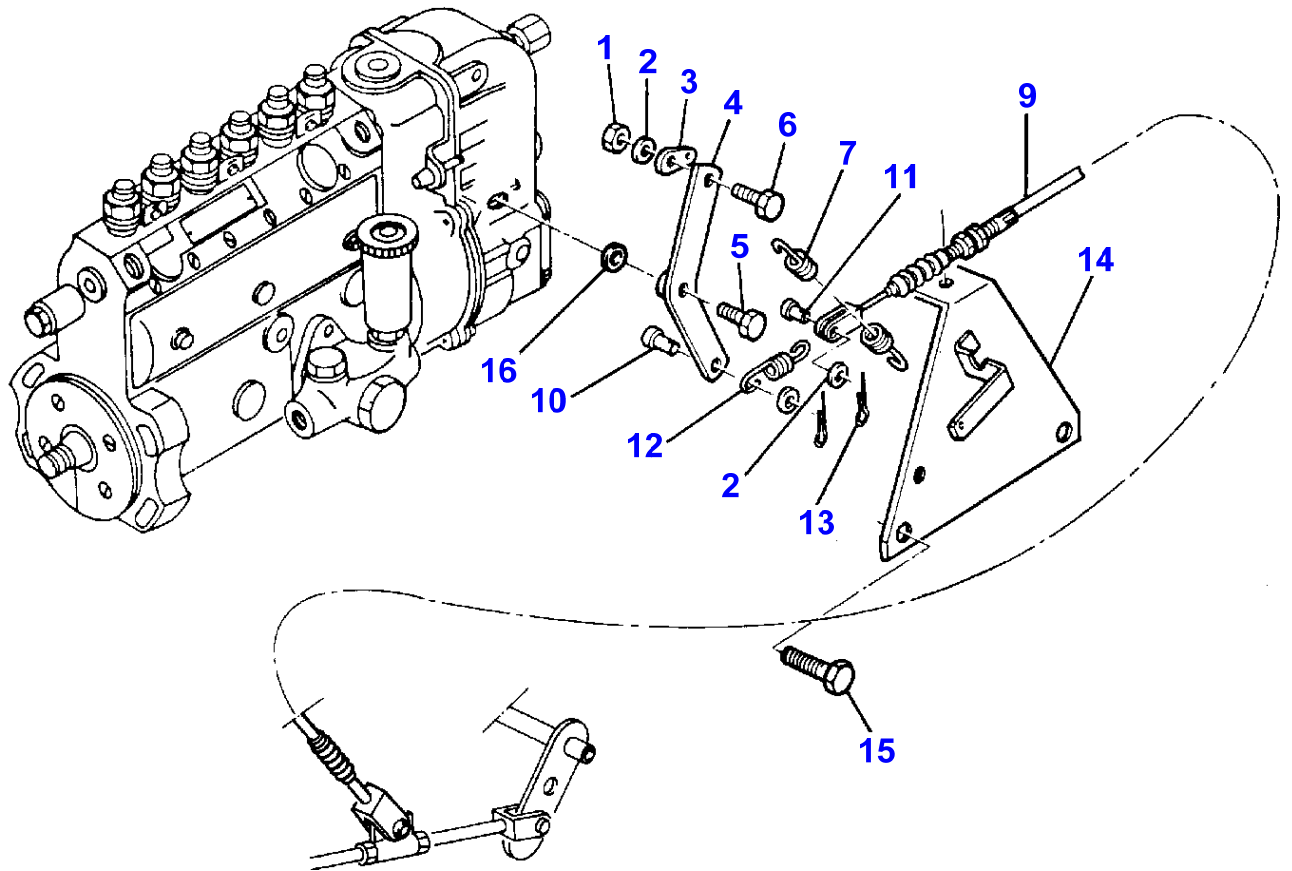
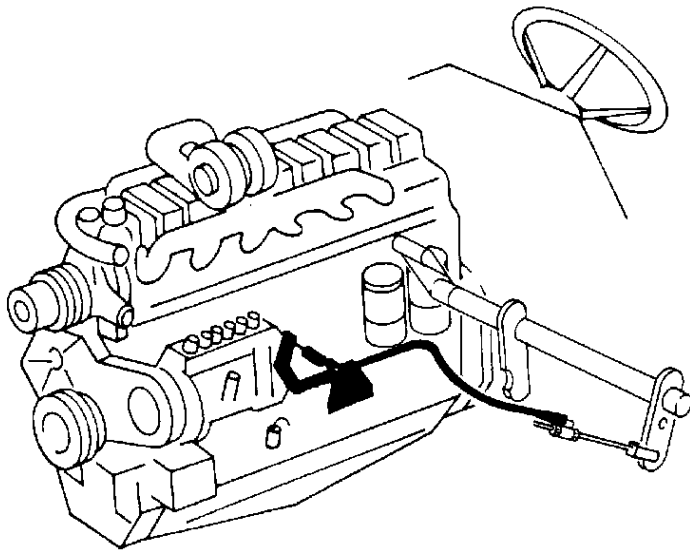
Item	Part Number	Qty	Description	Comments
				UP TO NO C146005
1	3615086M1	1	Cap	
2	3615085M1	1	Tube	
3	338615X1	2	Clamp	Diameter 25-40MM
4	3040888M1	1	Tube	
5	3715855M1	1	Clamp	Repairs and replaces 3616097M1
6	3615119M1	1	Silencer	MF 109
7	339169X1	1	Nut Metric	Diameter M8
8	390972X1	2	Washer Metric	
9	339081X1	4	Screw Metric	
10	390734X1	2	Washer Metric	
11	3389811M1	1	Support	
12	339761X1	1	Screw Metric	
13	3389809M1	1	Support	
14	3010572X1	3	Nut	Diameter M8
15	3389812M1	1	Union	
16	339123X1	6	Screw Metric	Diameter M8 Length 20MM
17	3389594M1	1	Adaptor	

1-AC11-030



Item	Part Number	Qty	Description	Comments
				FROM NO C146006
1	3615086M1	1	Cap	
2	3616932M1	1	Tube	
3	338615X1	2	Clamp	Diameter 25-40MM
4	3038134M1	1	Tube	
5	3715855M1	1	Clamp	Repairs and replaces 3616097M1
6	3616055M2	1	Silencer	MF 111
7	339761X1	1	Screw Metric	M8X25
8	390972X1	1	Washer Metric	
9	339169X1	1	Nut Metric	M8
10	3616955M1	1	Strap	
11	390734X1	1	Washer Metric	
12	339234X1	2	Bolt Metric	Up to Serial or Engine Number
13	339123X1	6	Screw Metric	M8X20
14	3616953M1	1	Union	
15	3616954M1	1	Gasket	
16	3010572X1	3	Nut	
17	339169X1	1	Nut Metric	M8
18	3616934M1	1	Support	
19	390734X1	3	Washer Metric	Up to Serial or Engine Number
20	339234X1	2	Bolt Metric	
21	390972X1	1	Washer Metric	
22	339761X1	1	Screw Metric	M8X25
23	390972X1	1	Washer Metric	
24	3902054M1	1	Gasket	
25	3712558M1	1	Tube	[A] From Serial or Engine Number 07/94
				[A] AUSTRIA ONLY

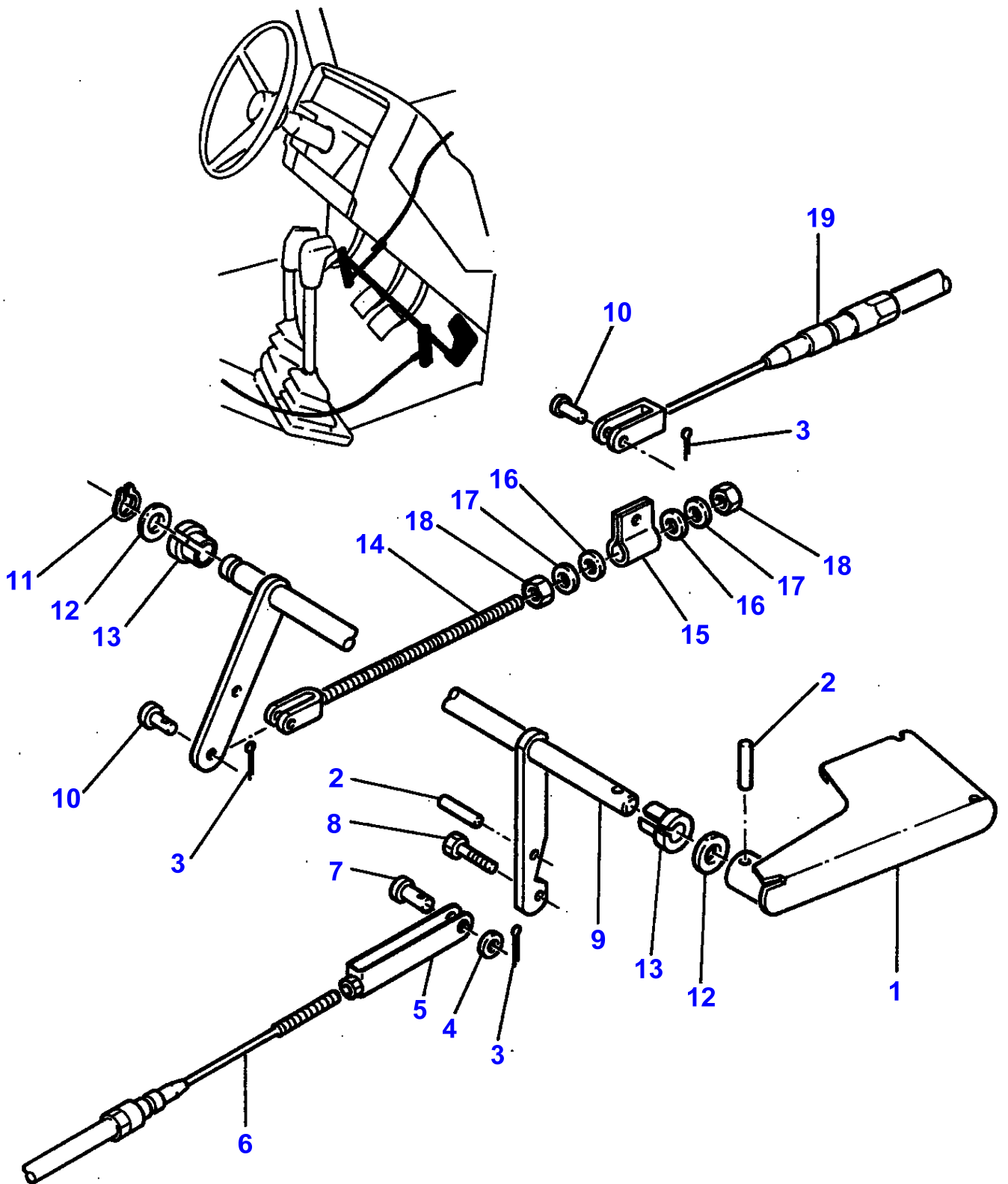
1-AC14-027



MASSEY FERGUSON**MF 3690 TRACTOR - 1637223****1637223****THROTTLE CONTROLS - UP TO NO C146005****81**

Item	Part Number	Qty	Description	Comments
				UP TO NO C146005
1	339030X1	1	Nut Metric	Diameter M6
2	390971X1	3	Washer Metric	Diameter M6
3	1660774M2	1	Lug	
4	3580837M2	1	Lever	
5	339262X1	1	Bolt Metric	M6X30
6	339666X1	1	Screw Metric	M6X20
7	3615253M1	1	Spring	
9	3615919M2	1	Cable	Up to Serial or Engine Number A084025 Length 970MM
9	3616931M3	1	Cable	From Serial or Engine Number A084026 Length 1600MM
10	832297M1	1	Clevis Pin	
11	3007850X1	1	Clevis Pin	
12	3387022M2	1	Spring	
13	357145X1	2	Pin	
14	3580838M4	1	Plate	
15	339081X1	2	Screw Metric	M10X20
16	390971X1	1	Washer Metric	

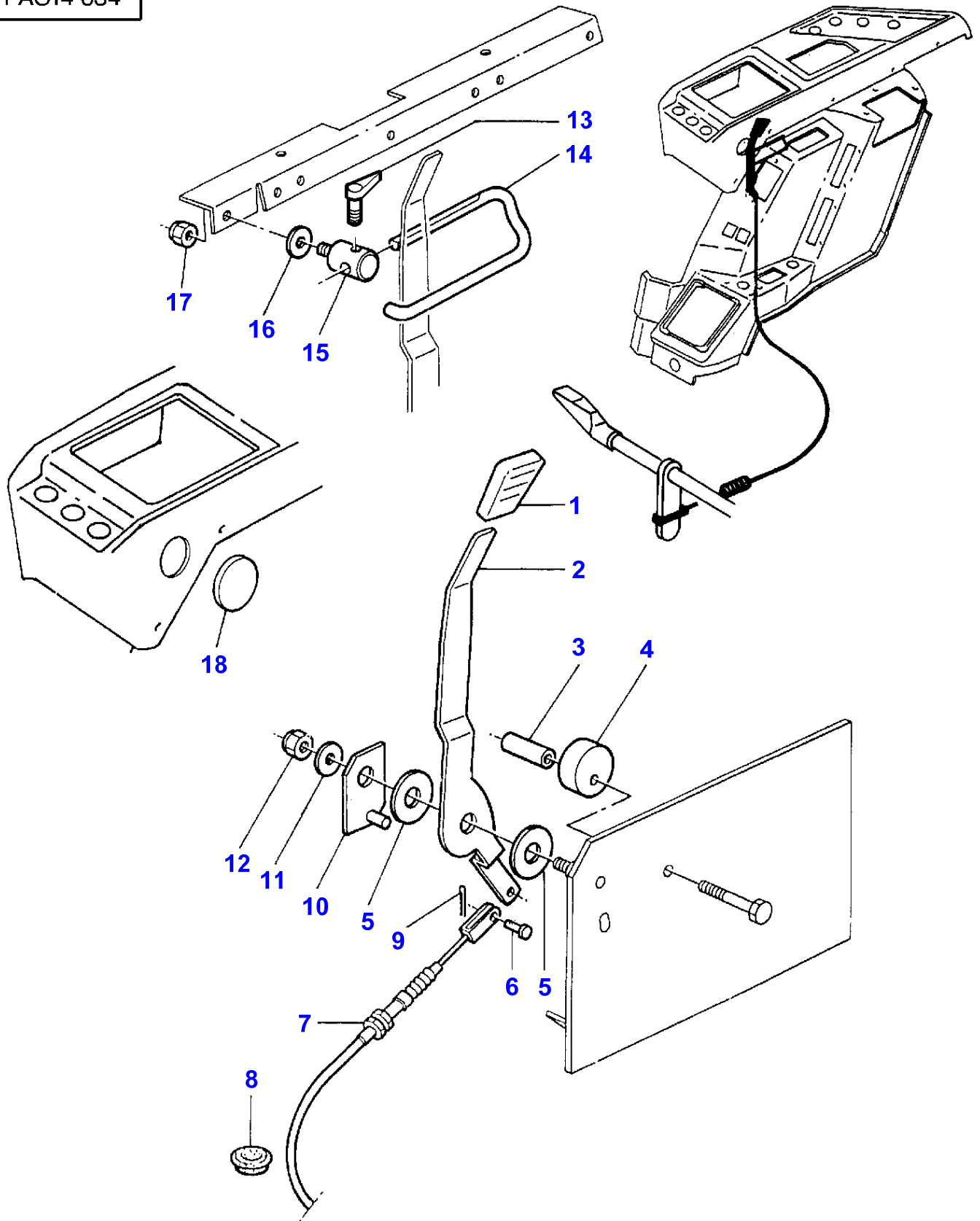
1-AC14-019



THROTTLE CONTROLS

Item	Part Number	Qty	Description	Comments
1	3616398M91	1	Pedal	
2	339548X1	2	Pin	
3	1442866X1	3	Pin	
4	390971X1	1	Washer Metric	
5	3616399M1	1	Stirrup	
6	3615918M1	1	Cable	Length 725 MM
7	832297M1	1	Clevis Pin	
8	391883X1	1	Screw	
9	3616387M92	1	Rod	
10	3007850X1	2	Clevis Pin	
11	1440474X1	1	Circlip	
12	1444351X1	2	Washer	
13	3385913M2	2	Bush	
14	3616394M92	1	Rod	
15	3616395M1	1	Stirrup	
16	390971X1	2	Washer Metric	
17	391289X1	2	Lock Washer	
18	339030X1	2	Nut Metric	
19	3615919M2	1	Cable	Up to Serial or Engine Number A084025 Length 970 MM
19	3616931M3	1	Cable	From Serial or Engine Number A084026 Length 1600 MM

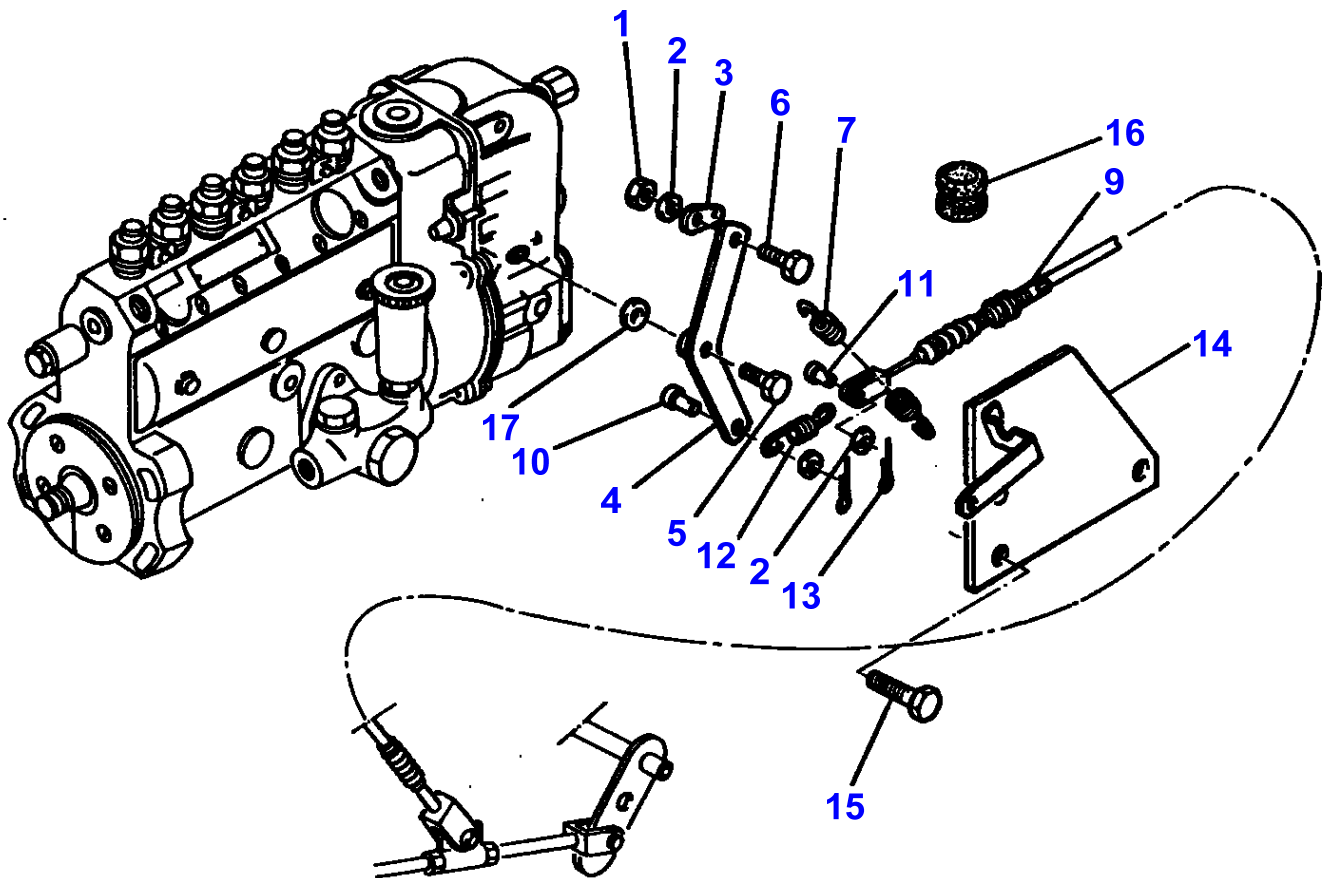
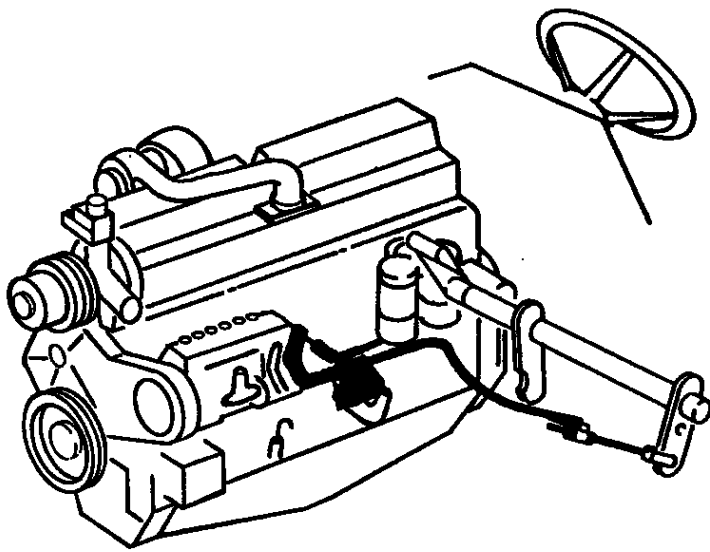
1-AC14-034



THROTTLE CONTROLS

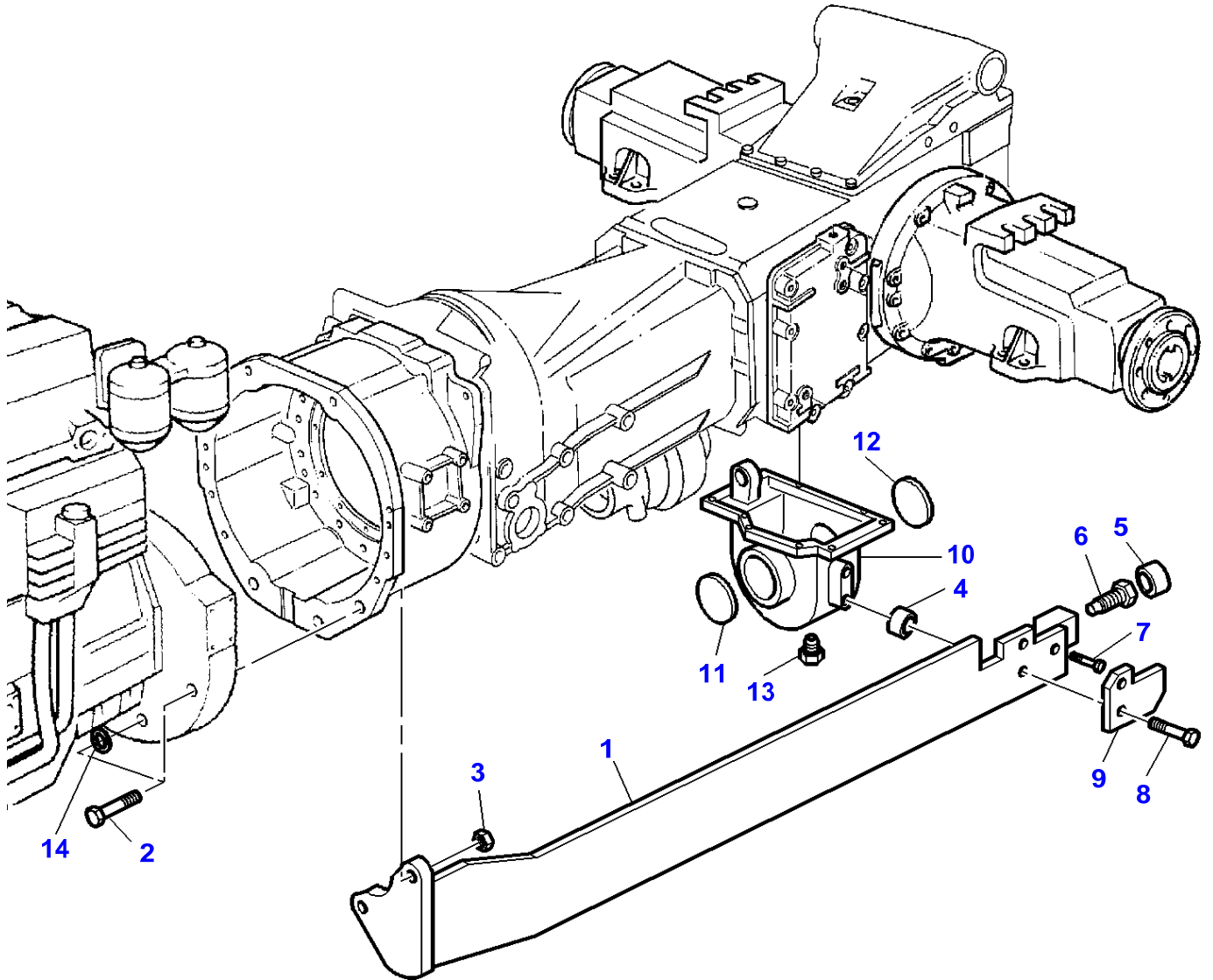
Item	Part Number	Qty	Description	Comments
1	3615932M1	1	Handle	
2	3615016M3	1	Lever	
3	3615720M1	1	Spacer	
4	3615702M1	1	Cam	
5	3042581M2	2	Washer	
6	3007850X1	1	Clevis Pin	
7		1	Cable	See Page - Reference Number AC141510/
8	3580984M1	1	Grommet	
9	357145X1	1	Pin	
10	3615015M1	1	Plate	
11	880712M1	1	Washer	
12	1440330X1	1	Locknut	
13	3615032M2	1	Setscrew	
14	3615018M2	1	Stem	
15	3615019M2	1	Clevis Pin	
16	339024X1	X	Washer Metric	
17	394367X1	1	Locknut	M8
18	3380422M2	1	Plug	

1-AC14-026



Item	Part Number	Qty	Description	Comments
				FROM NO C146006
1	339030X1	1	Nut Metric	M6
2	390971X1	3	Washer Metric	M6
3	1660774M2	1	Lug	
4	3580837M2	1	Lever	
5	339262X1	1	Bolt Metric	M6X30
6	339666X1	1	Screw Metric	M6X20
7	3615253M1	1	Spring	
9	3616931M3	1	Cable	Length 1600MM
10	3007850X1	1	Clevis Pin	
11	3007850X1	1	Clevis Pin	
12	3387022M2	1	Spring	
13	357145X1	2	Pin	
14	3616956M1	1	Support	
15	339081X1	2	Screw Metric	M10X20
	339124X1	2	Screw Metric	M8X16
16	893879M1	1	Grommet	
17	390971X1	1	Washer Metric	

1-AE10-003



MASSEY FERGUSON**MF 3690 TRACTOR - 1637223**

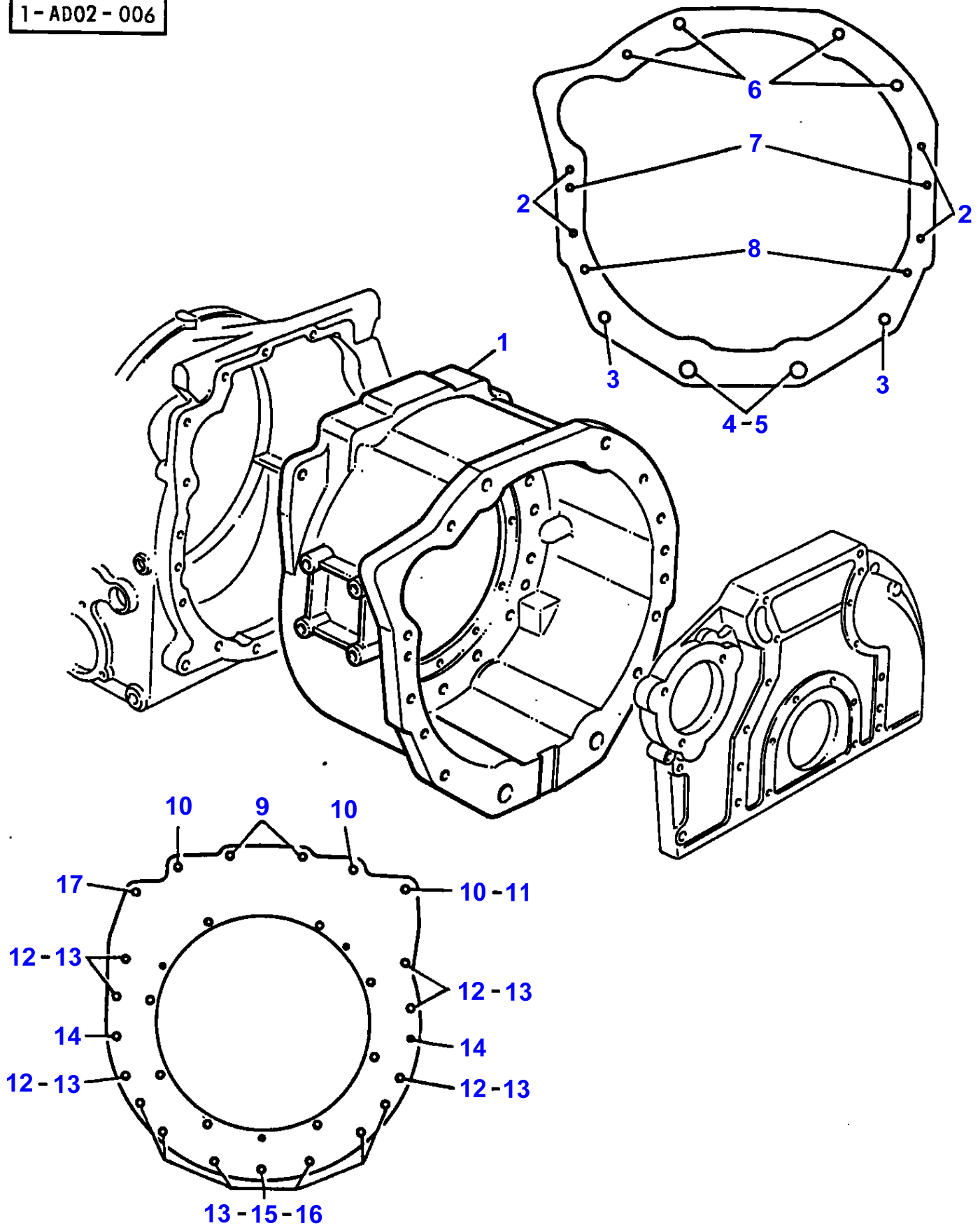
1637223

CHASSIS STRUCTURE - FROM C039023

85

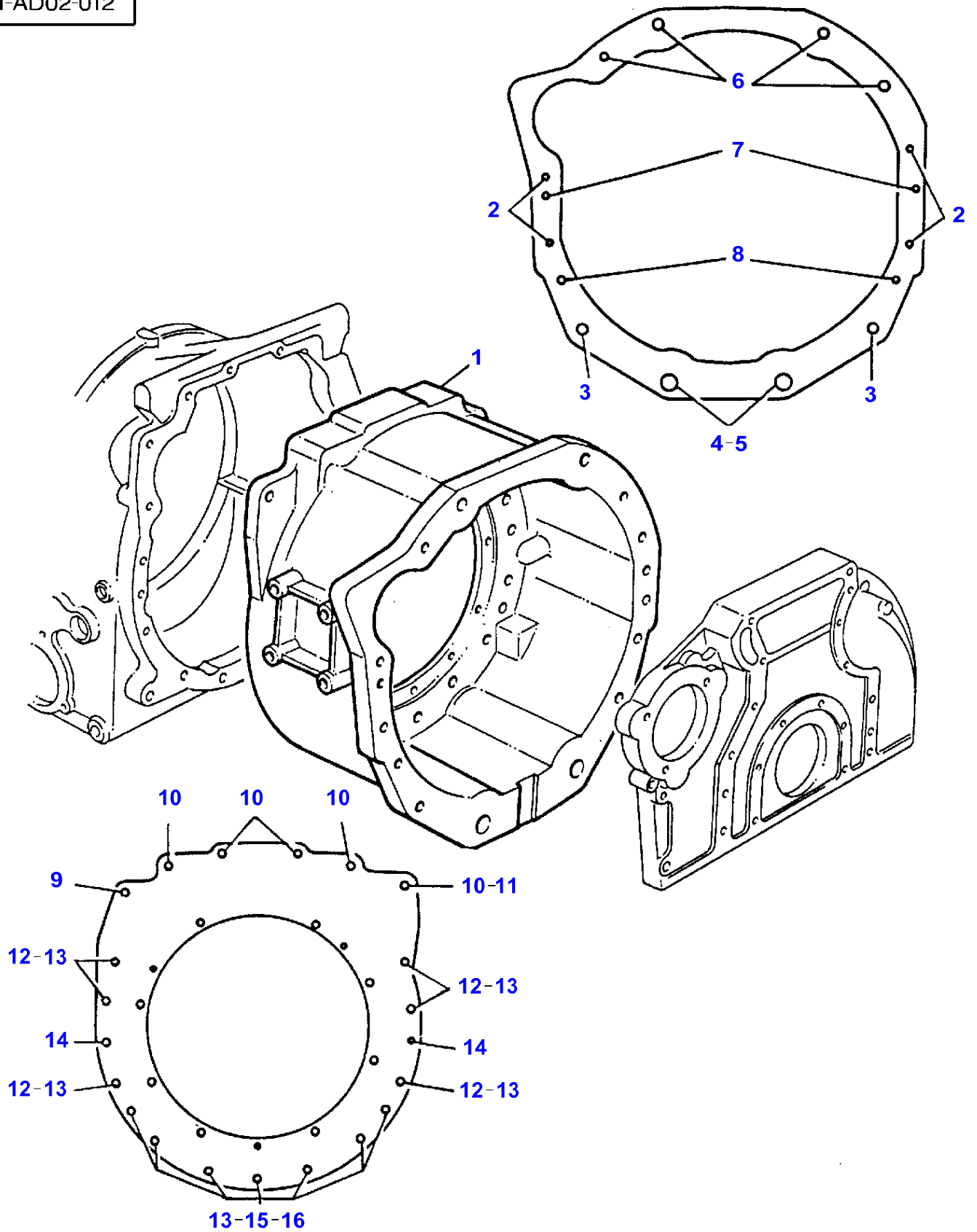
Item	Part Number	Qty	Description	Comments
				FROM C039023
1	3619809M5	1	Reinforcement	Left Hand
	3619810M5	1	Reinforcement	Right Hand
2	3010453X1	4	Screw	M22X140
3	3581642M1	2	Nut	
4	3619963M1	2	Spacer	Up to Serial or Engine Number 05/94
	3712927M1	2	Washer	From Serial or Engine Number 05/94
5	3619814M1	2	Washer	
6	3619813M1	2	Screw	M24
7	1440349X1	2	Screw Metric	M8X30
8	3010478X1	4	Screw	M20X90
9	3619812M1	2	Counterplate	
10	3619966M11	1	Case Assy	3619966M91
11	655079M1	1	Plug	(10) Diameter 80MM
12	390238X1	1	Plug	(10) Diameter 62MM
13	3010531X1	6	Screw	M12X30 Repairs and replaces 3009788X1
13	3010532X1	2	Screw	M12X40 Repairs and replaces 3009790X1
14	3010505X1	2	Washer	Diameter 22-40MM Thickness 6MM Up to Serial or Engine Number 3-jan-1996
15	3010530X1	2	Stud	M12X165 Repairs and replaces 3010439X1
16	3019862X1	2	Nut Metric	Repairs and replaces 3010439X1

1-AD02-006



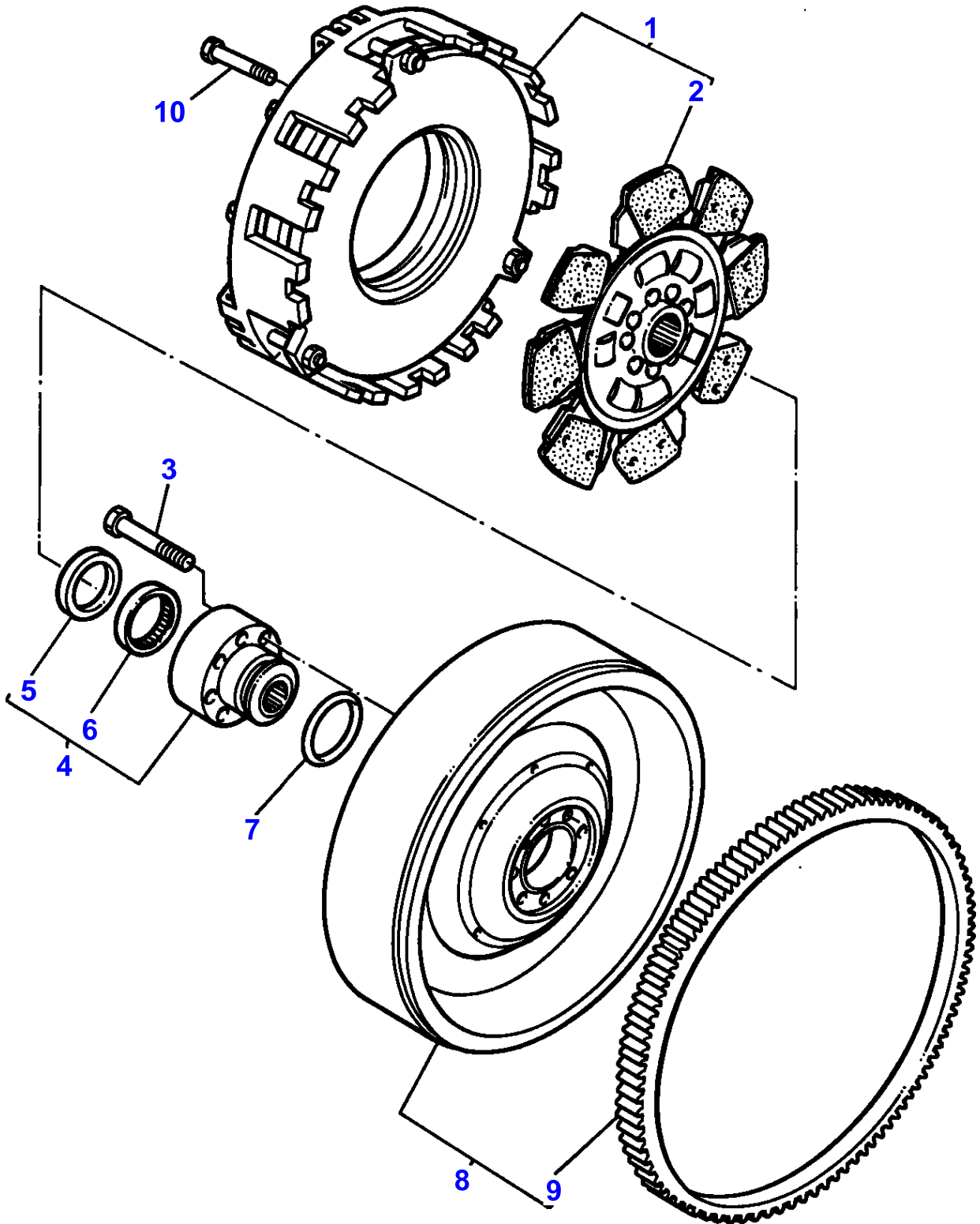
Item	Part Number	Qty	Description	Comments
				UP TO NO B153019
1	3616094M3	1	Spacer	
2	3019851X1	4	Bolt Metric	Diameter M12X45
3	3580796M1	2	Screw	Diameter M22X100
4	3581641M1	2	Screw	Diameter M22X130
	385365X1	2	Washer	Diameter 22MM
5	3581642M1	2	Nut	Diameter M22
6	3384131M1	4	Bolt Metric	Diameter M16X55
7	3583428M1	2	Centraliser	
8	3580795M1	2	Screw	Diameter M16X80
9	372991X1	2	Screw	Diameter 7/16-14X51
10	372992X1	3	Screw	Diameter 1/2-14X50,8
11	373590X1	1	Nut	Length 51
12	377824X1	6	Bolt Unc	Diameter 7/16-14X35
13	330940X1	13	Washer	
14	191314M1	2	Centraliser	
15	377590X1	7	Stud	Diameter 51
16	377185X1	7	Nut Unf	Diameter 7/16-20
17	372950X1	1	Screw	Diameter 1/2-13X31,7

1-AD02-012



Item	Part Number	Qty	Description	Comments
				FROM NO B153020
1	3618743M2	1	Spacer	
2	3019851X1	4	Bolt Metric	Diameter M12X45
3	3580796M1	2	Screw	Diameter M22X100
4	3010453X1	2	Screw	M22X140
	385365X1	2	Washer	Diameter 22MM
5	3581642M1	2	Nut	Diameter M22
6	3384131M1	3	Bolt Metric	Diameter M16X55
7	3583428M1	2	Centraliser	
8	3580795M1	2	Screw	Diameter M16X80
9	3010425X1	1	Screw	M14X45
10	3010426X1	5	Screw	M14X55
11	3010349X1	1	Nut	M14
12	3019851X1	6	Bolt Metric	M12X45
13	3385525M2	13	Washer	
14	191314M1	2	Centraliser	
15	3019861X1	7	Stud	M12X35
16	3019862X1	7	Nut Metric	M12

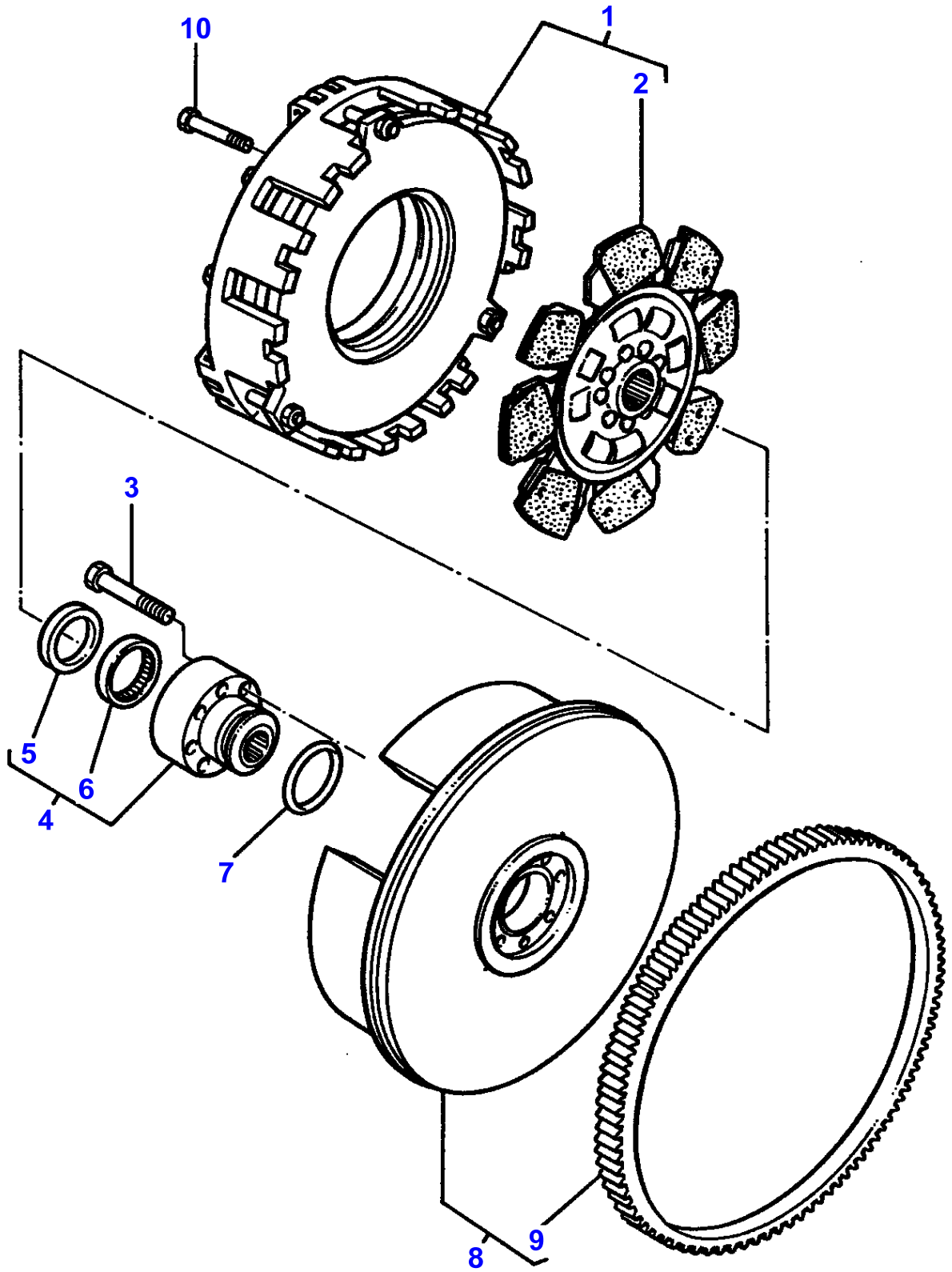
1-AD01-010



CLUTCH

Item	Part Number	Qty	Description	Comments
1	3713264M91	1	Clutch	See Page - Reference Number 90/ Repairs and replaces 3580944M92
2	3713266M1	2	Disc	(1) Repairs and replaces 3580946M2
3	3009300X1	8	Screw	M12X70MM
4	3615564M11	1	Sleeve	3615564M91
5	3388619M1	1	Bush	(4)
6	3387381M1	1	Bearing Assy	(4)
7	3580191M2	1	O Ring	
8	3580942M91	1	Flywheel	
9	1619032M1	1	Crownwheel	(8)
10	1442602X1	6	Screw Metric	Diameter M10X100

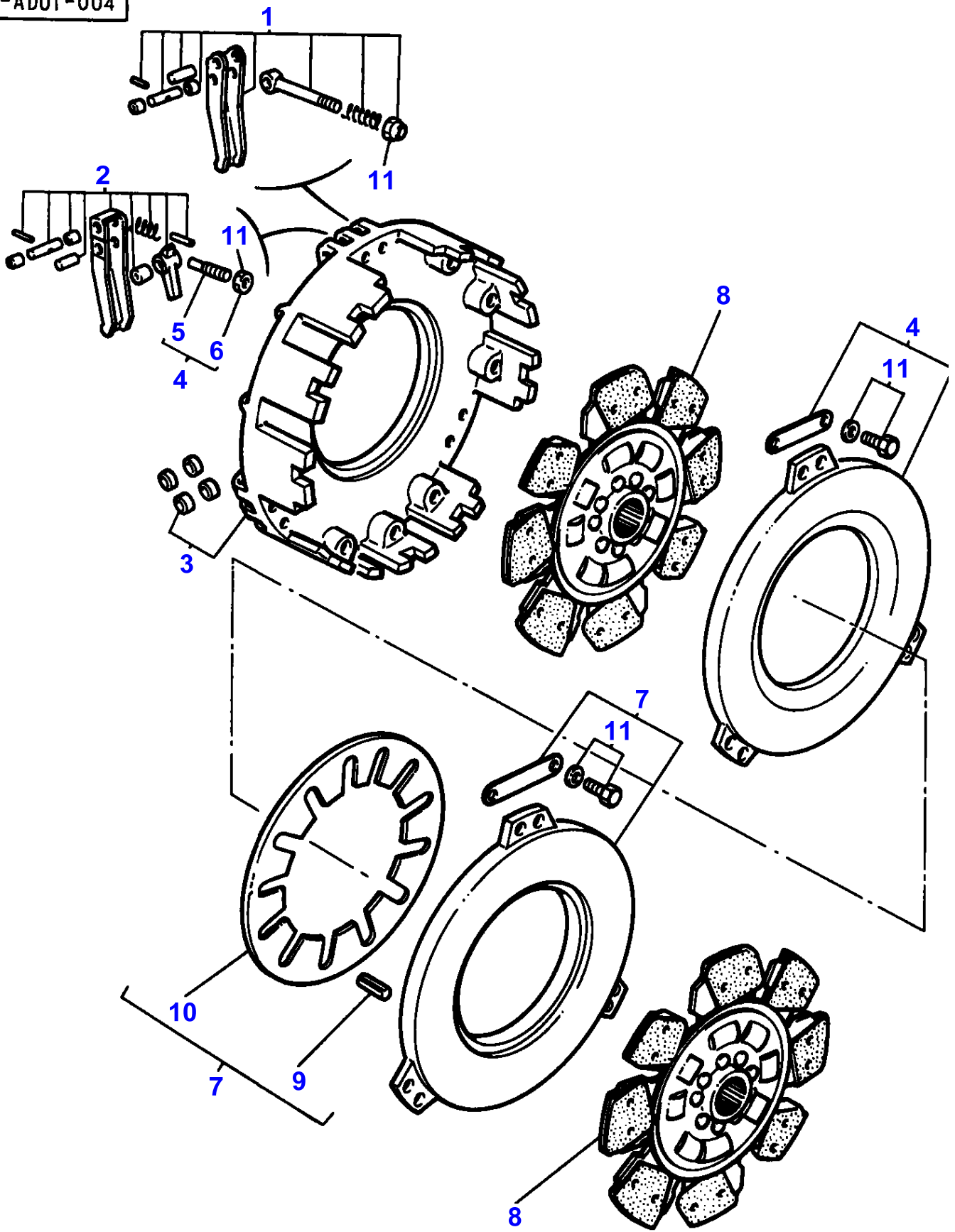
1-AD01-015



CLUTCH - DYNASHIFT

Item	Part Number	Qty	Description	Comments
				DYNASHIFT
1	3713264M91	1	Clutch	See Page - Reference Number 90/ Repairs and replaces 3580944M92
2	3713266M1	2	Disc	(1) Repairs and replaces 3580946M2
3	1440355X1	8	Screw Metric	M12X60
4	3615564M11	1	Sleeve	3615564M91
5	3388619M1	1	Bush	(4)
6	3387381M1	1	Bearing Assy	(4)
7	3580191M2	1	O Ring	
8	3615550M91	1	Flywheel	
9	1619032M1	1	Crownwheel	(8)
10	1442602X1	6	Screw Metric	Diameter M10X100

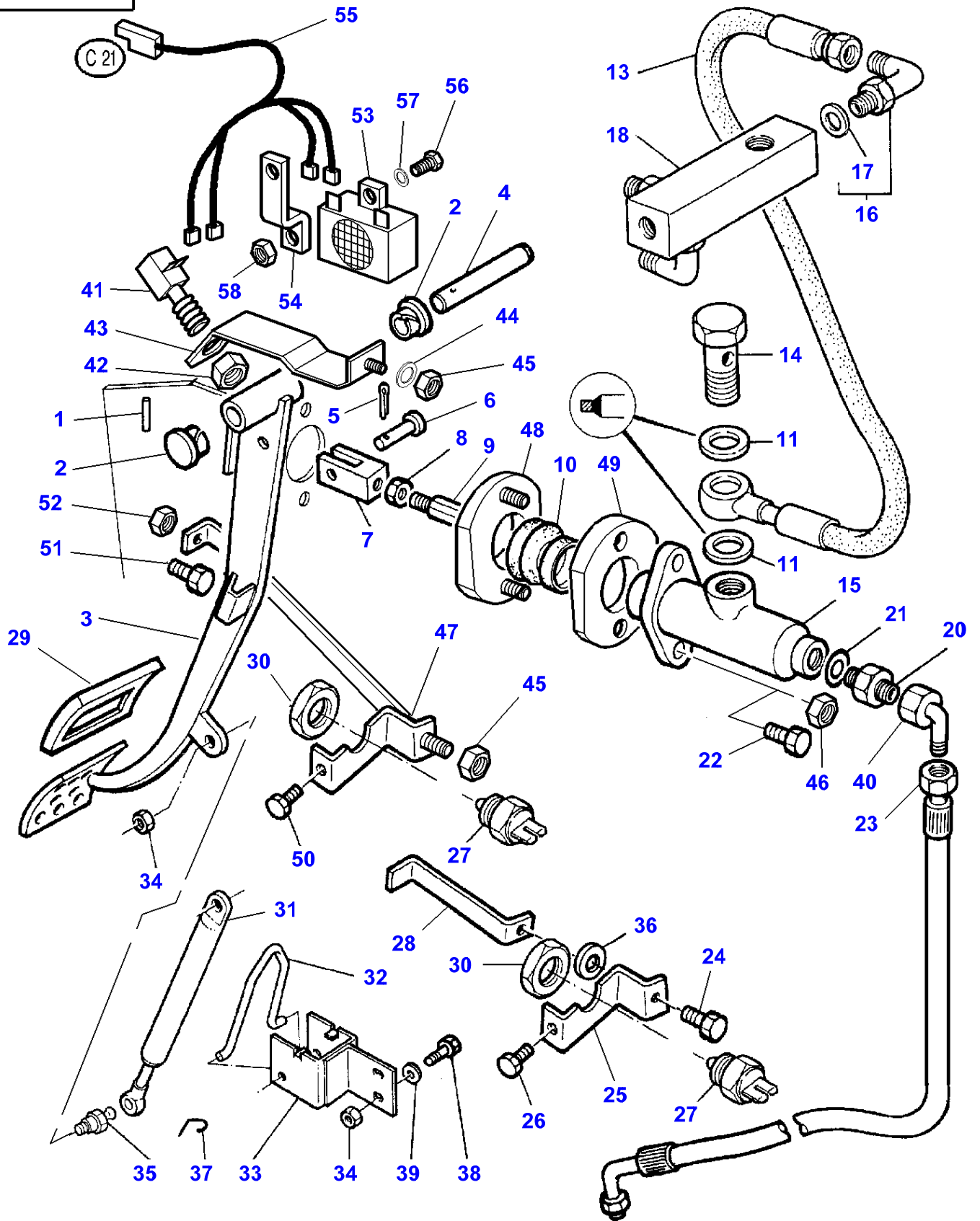
1-AD01-004



CLUTCH

Item	Part Number	Qty	Description	Comments
1	3311500M91	1	Kit	
2	3311501M91	1	Kit	
3	3311496M91	1	Cover	
4	3311497M91	1	Plate	
5	3311504M1	3	Screw	(4)
6	1442578X1	3	Nut	(4)
7	3311499M91	1	Plate	
8	3713266M1	2	Disc	Repairs and replaces 3580946M2
9	3002168X1	3	Dowel	(7)
10	3311498M1	1	Spring	(7)
11	3311502M91	1	Kit	

1-AD06-040



CLUTCH PEDAL AND LINKAGE

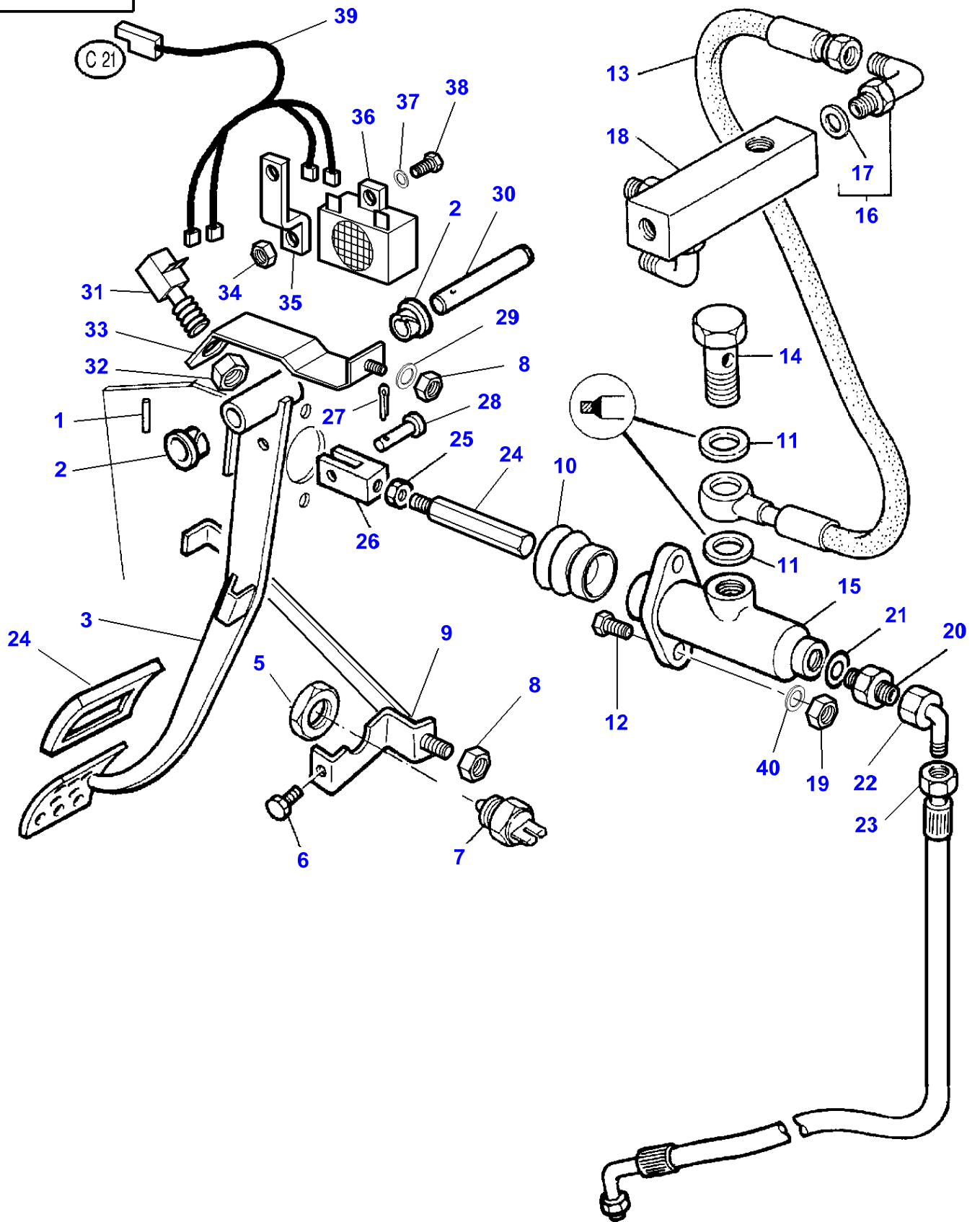
Item	Part Number	Qty	Description	Comments
1	391290X1	1	Pin	5X30
2	3385604M1	2	Bearing	
3	3581704M2	1	Pedal	Up to Serial or Engine Number C104011
	3619818M1	1	Pedal	From Serial or Engine Number C104012
4	3384658M1	1	Clevis Pin	
5	357146X1	1	Pin	
6	3019213X1	1	Clevis Pin	
7	3385612M3	1	Clevis	Up to Serial or Engine Number C059036 Length 51MM
7	3384656M1	1	Clevis	From Serial or Engine Number C059037 Length 61MM Diameter M10
8	392310X1	1	Nut Metric	
9	3388830M1	1	Poppet	
10	1627465M1	1	Helmet	
11	377378X1	2	Washer	
13	3581689M1	1	Hydr Hose	Length 500MM Up to Serial or Engine Number 05/94
13	3583891M1	1	Hydr Hose	Length 380MM From Serial or Engine Number 05/94
14	3581690M1	1	Banjo Bolt	
15		1	Main Cylinder	See Page - Reference Number 93/
16	3019412X91	1	Elbow	
17	3019395X1	1	O Ring	16
18		1	Bar	See Page - Reference Number 284/
		1	Bar	See Page - Reference Number 285/
20	330924X1	1	Union	
21	831496M1	1	O Ring	
22	339124X1	2	Screw Metric	Up to Serial or Engine Number C059036 M8X16
23	3383865M1	1	Hydr Hose	Up to Serial or Engine Number 07/1992
	3617217M1	1	Hydr Hose	[A] Up to Serial or Engine Number A192032
23	3618665M1	1	Hydr Hose	From Serial or Engine Number 07/1992
	3618665M1	1	Hydr Hose	[A] From Serial or Engine Number A192033
24	339123X1	1	Screw Metric	Up to Serial or Engine Number C059036 M8X20
25	3581705M91	1	Strap	Up to Serial or Engine Number C059036
26	339228X1	1	Screw Metric	Up to Serial or Engine Number C059036 M8X12
27	3381094M1	1	Switch,Indirect	
28	3581514M2	1	Stop	Up to Serial or Engine Number C059036
29	1626321M2	1	Skate	
30	3581707M1	1	Nut	
31	3583941M1	1	Ram	
32	3583238M1	1	Hair Pin	
33	3581515M1	1	Support	
34	339169X1	3	Nut Metric	Diameter M8
35	3583928M1	1	Toggle	
36	385361X1	1	Washer Metric	Up to Serial or Engine Number
37	3615737M1	1	Hair Pin	
38	339124X1	2	Screw Metric	M8X16
39	390972X1	2	Washer Metric	
40	365233X1	1	Elbow	[A]
	365233X1	1	Elbow	From Serial or Engine Number A192033
41	3617693M1	1	Switch,Indirect	From Serial or Engine Number C059037
42		1	Nut	(41) Not serviced, order REF 41
43	3619819M92	1	Support	From Serial or Engine Number C059037
44	390036X1	1	Washer	From Serial or Engine Number C059037
45	339030X1	1	Nut Metric	From Serial or Engine Number C059037
46	339169X1	3	Nut Metric	From Serial or Engine Number C059037 M8
47	3619816M91	1	Stop	From Serial or Engine Number C059037
48	3619829M91	1	Support	From Serial or Engine Number C059037
49	3619821M1	1	Support	From Serial or Engine Number C059037
50	339123X1	1	Screw Metric	From Serial or Engine Number C059037 M8X20
51	3619815M1	1	Screw	From Serial or Engine Number C059037

CLUTCH PEDAL AND LINKAGE

Item	Part Number	Qty	Description	Comments
52	394367X1	1	Locknut	From Serial or Engine Number C059037 M8
53	3320197M1	1	Buzzer	From Serial or Engine Number C104012
54	3618555M1	1	Support	From Serial or Engine Number C104012
55	3618557M1	1	Harness	From Serial or Engine Number C104012
56	390990X1	1	Screw Metric	From Serial or Engine Number C104012 M5X12
57	339381X1	1	Lock Washer	From Serial or Engine Number C104012
58	390995X1	1	Nut Metric	From Serial or Engine Number C104012

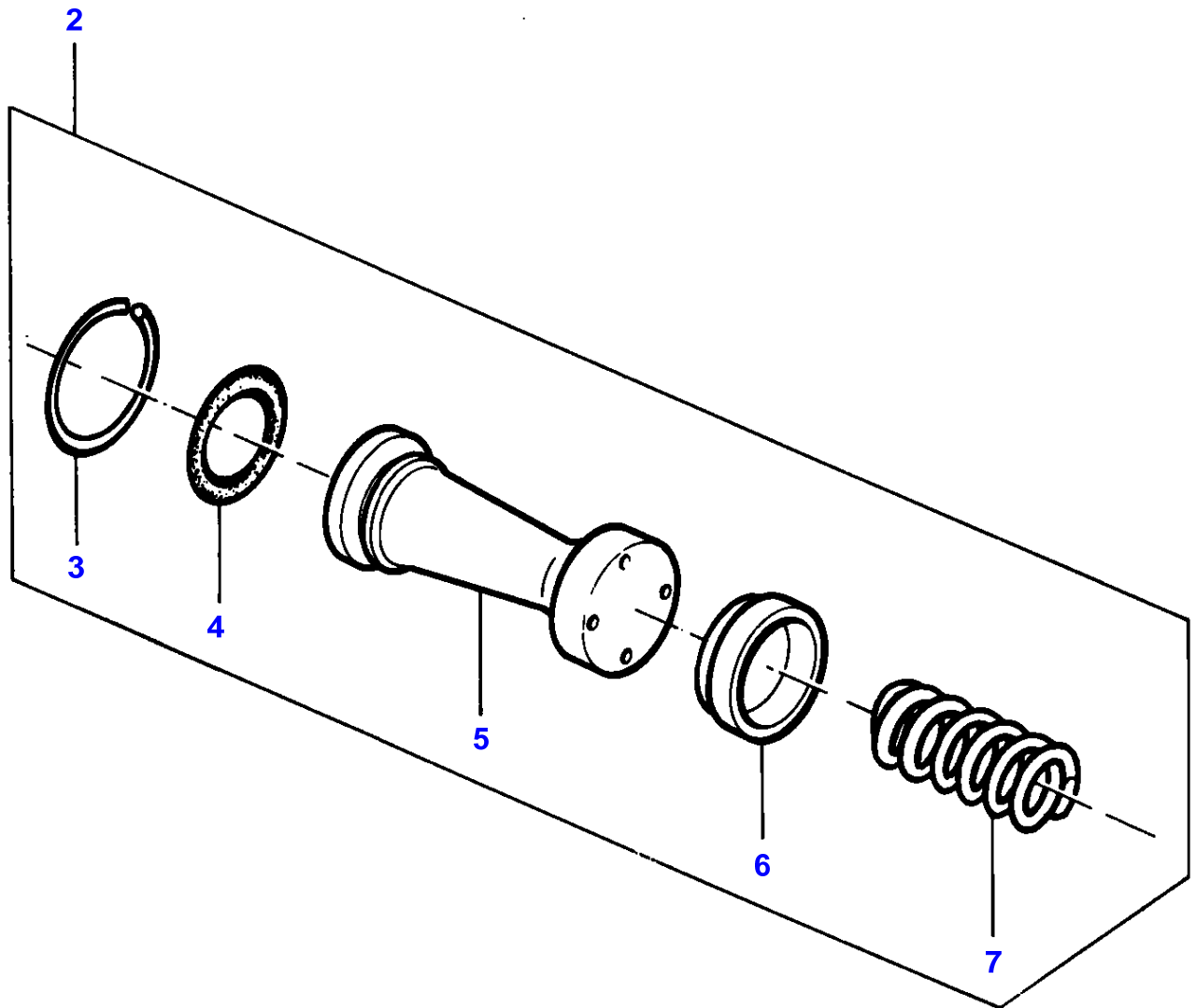
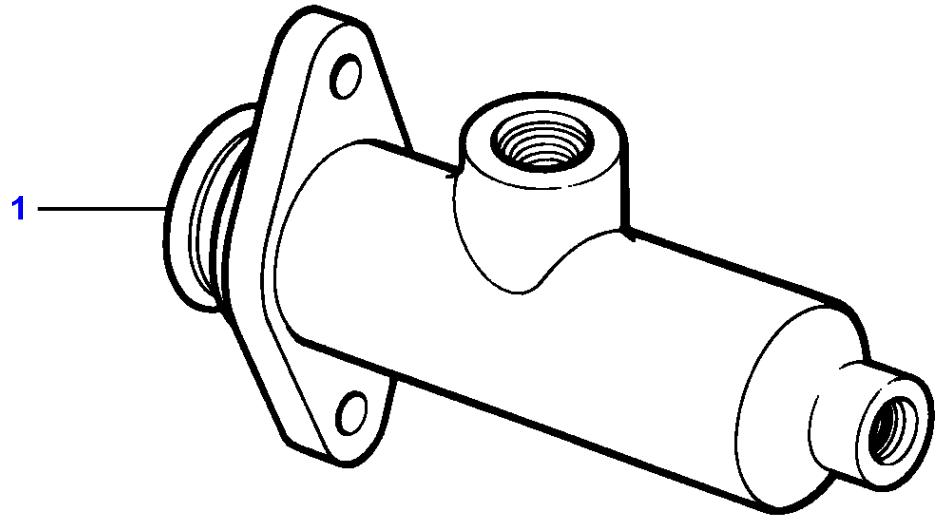
[A]
WITH DYNASHIFT

1-AD06-039



Item	Part Number	Qty	Description	Comments
				WITH WET CLUTCH
1	391290X1	1	Pin	5X30
2	3385604M1	2	Bearing	
3	3581713M3	1	Pedal	
4	1626321M2	1	Skate	
5	3581707M1	1	Nut	
6	339123X1	1	Screw Metric	M8X20
7	3381094M1	1	Switch,Indirect	
8	339030X1	1	Nut Metric	
9	3712539M91	1	Stop	
10	1627465M1	1	Helmet	
11	377378X1	2	Washer	
12	339124X1	2	Screw Metric	M8X16
13	3583891M1	1	Hydr Hose	Length 380MM
14	3581690M1	1	Banjo Bolt	
15		1	Main Cylinder	See Page - Reference Number 93/
16	3019412X91	1	Elbow	
17	3019395X1	1	O Ring	16
18		1	Bar	See Page - Reference Number 285/
19	339169X1	3	Nut Metric	M8
20	330924X1	1	Union	
21	831496M1	1	O Ring	
22	365233X1	1	Elbow	
23	3713370M1	1	Hydr Hose	
24	3713409M1	1	Poppet	
25	392310X1	1	Nut Metric	Diameter M10
26	3385612M3	1	Clevis	
27	357146X1	1	Pin	
28	3019213X1	1	Clevis Pin	
29	390036X1	1	Washer	
30	3384658M1	1	Clevis Pin	
31	3617693M1	1	Switch,Indirect	
32		1	Nut	(31) Not serviced, order REF 31
33	3712543M92	1	Support	
34	390995X1	1	Nut Metric	
35	3618555M1	1	Support	
36	3320197M1	1	Buzzer	
37	339381X1	1	Lock Washer	
38	390990X1	1	Screw Metric	M5X12
39	3618557M1	1	Harness	
40	385361X1	1	Washer Metric	Diameter 9MM

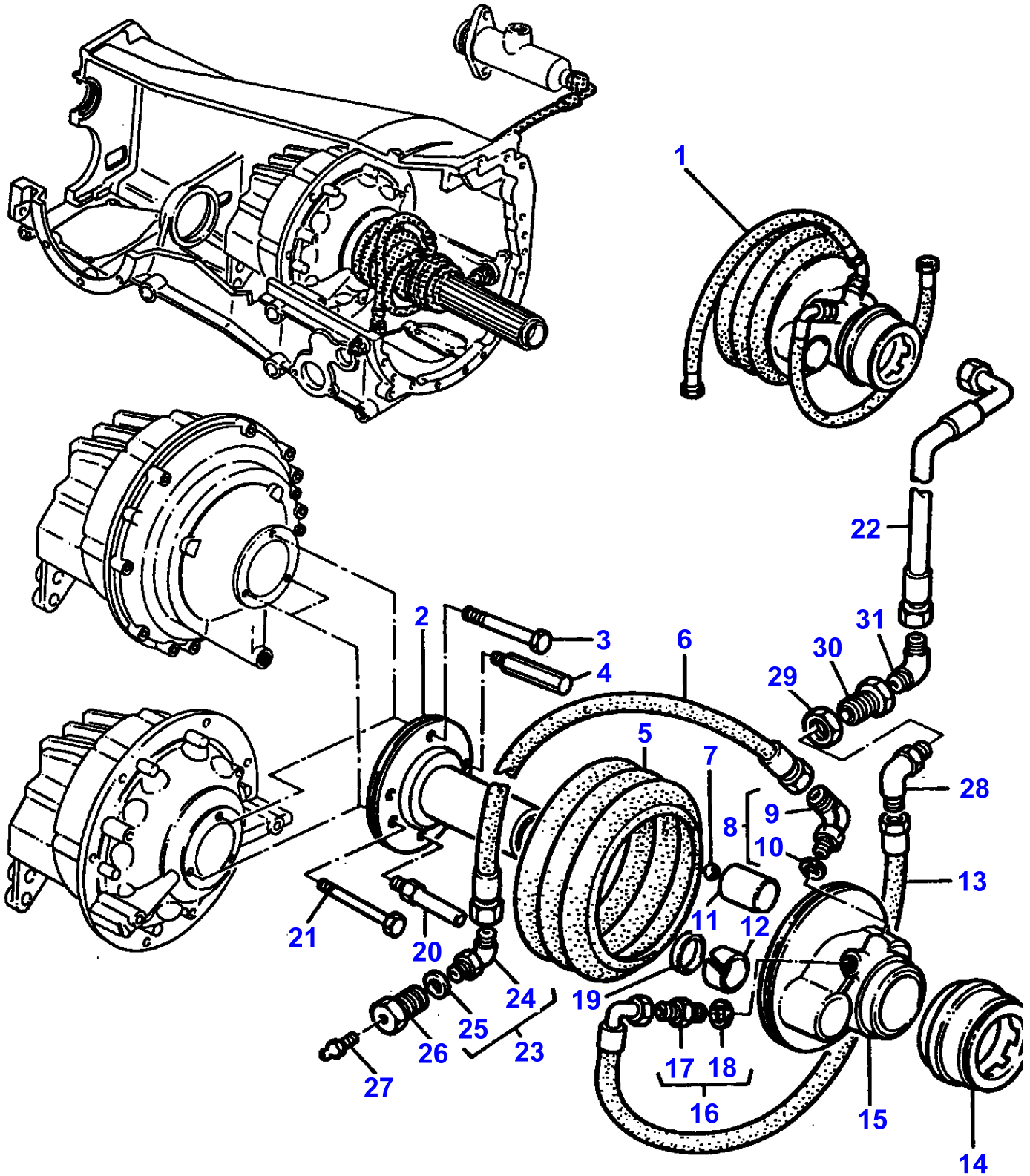
1-AD07-001



CLUTCH CONTROL-MASTER CYLINDER

Item	Part Number	Qty	Description	Comments
1	1613986M4	1	Main Cylinder	BENDIX
2	1642034M91	1	Parts Pack	(1)
3		1	Ring	(2) Not serviced, order REF NO 2
4		1	O Ring	(2) Not serviced, order REF NO 2
5		1	Piston	(2) Not serviced, order REF NO 2
6		1	Cup	(2) Not serviced, order REF NO 2
7		1	Spring	(2) Not serviced, order REF NO 2

1-AD06-022



CLUTCH PEDAL AND LINKAGE

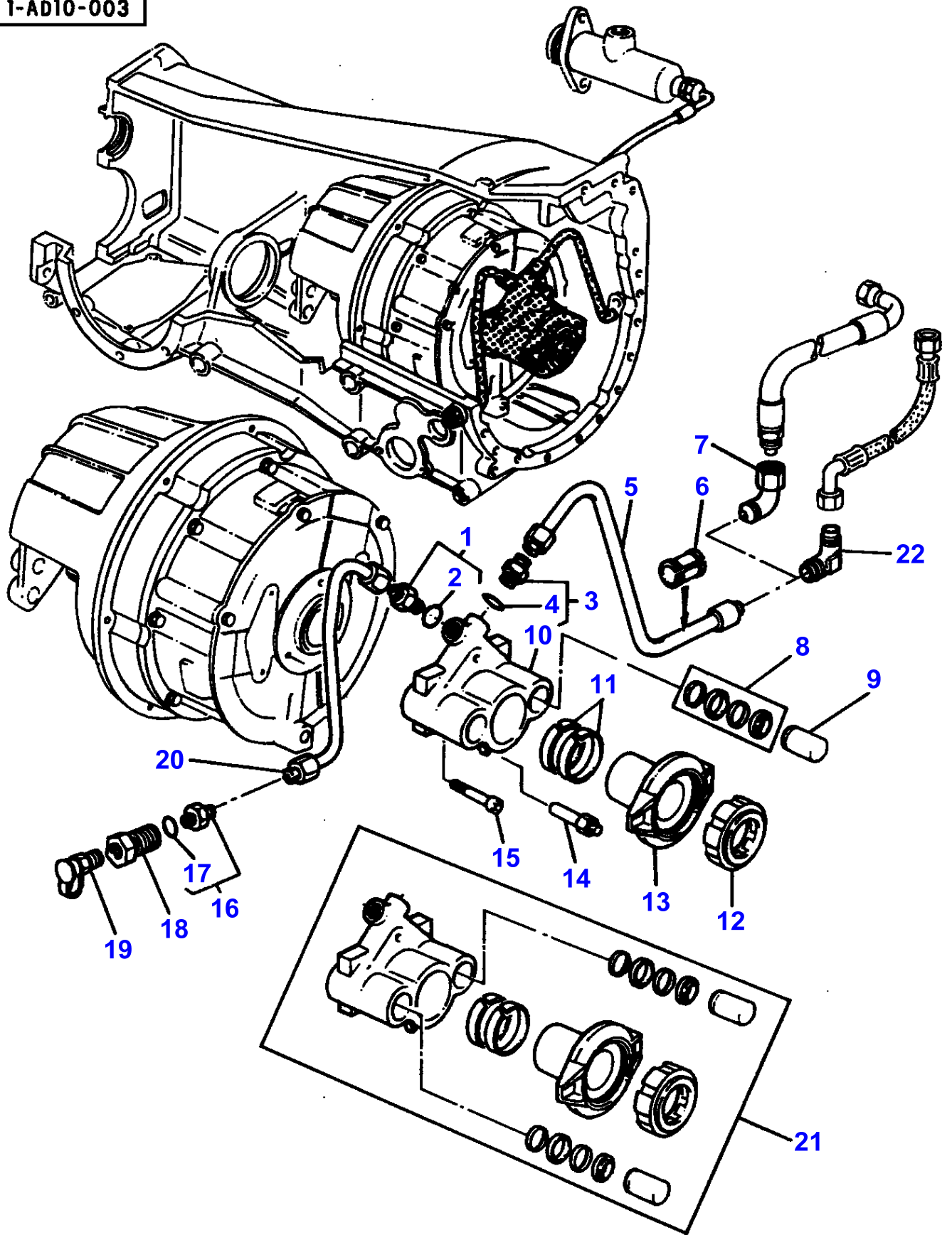
Item	Part Number	Qty	Description	Comments
1	3616443M10	1	Parts Pack	[A] 3616443M0A
1		1	Parts Pack	[B,C]
2	3583030M2	1	Guide	[A] (1)
	3615653M2	1	Guide	[B] (1)
3	1440349X1	1	Screw Metric	[A] (1) M10X30
3	360793X1	1	Screw Unc	[B] (1) 7/16
4	3583027M1	2	Poppet	(1)
5	3580956M1	1	Bellows	(1)
6	1611288M1	1	Hydr Hose	(1)
7	391838X1	2	Ball	(1)
8	3019700X91	1	Union	(1)
9		1	Elbow Nipple	(8) Not serviced, order REF 8
10	3019394X1	1	O Ring	(8)
11	3580951M1	2	Piston	(1)
12	3580953M1	2	Segment	(1)
13	3616088M1	1	Hydr Hose	(1) Length 450MM
14	3583029M3	1	Stop	(1)
15	3583028M2	1	Support	(1)
16	3019408X91	1	Elbow	(1)
17		1	Union	(16) Not serviced, order REF 16
18	3019393X1	1	O Ring	(16)
19	3580952M1	2	Gasket	(1)
20	3580955M1	1	Finger	(1)
21	391991X1	2	Screw Metric	[A] (1) M8X30
21	357740X1	2	Screw Unc	[B] (1) 3/8
22		1	Hydr Hose	See Page - Reference Number 91/2
23	358760X91	1	Elbow	
24		1	Elbow Nipple	(23) Not serviced, order REF 23
25	831495M1	1	O Ring	(23)
26	3383864M1	1	Screw Special	
27	3052960M1	1	Banjo Bolt	
28	356396X1	1	Elbow	
29	390191X1	1	Nut Metric	
30	3383674M1	1	Grommet	
31	355524X1	1	Elbow	

[A]
WITH GAMMA 2 GEAR

[B]
WITH CREEPER GEAR

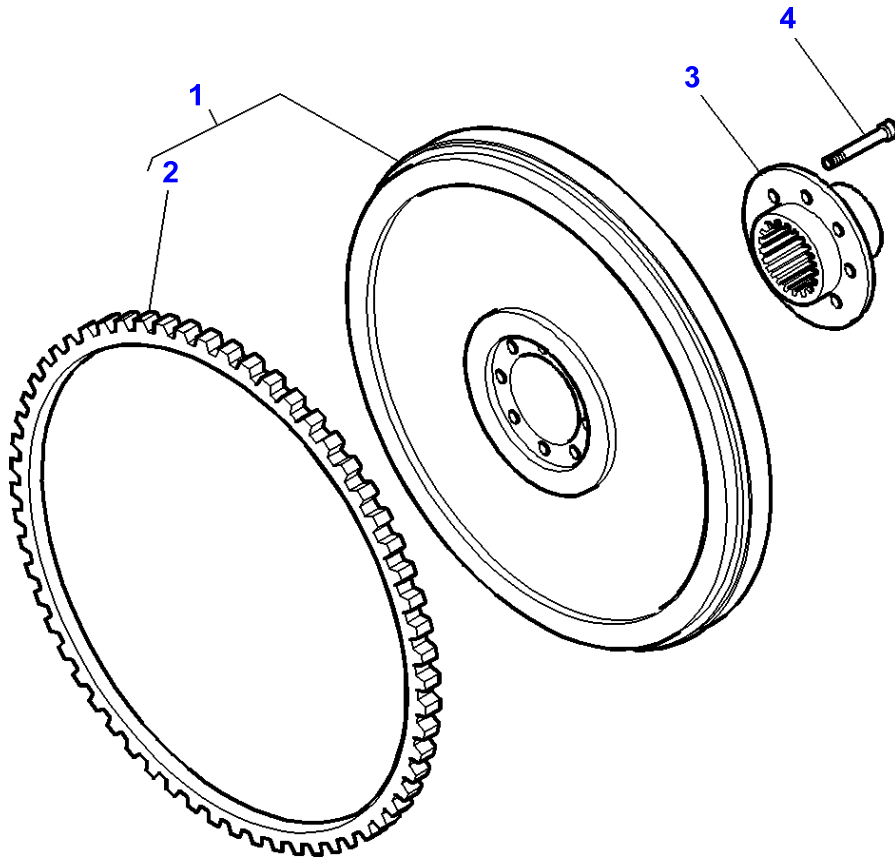
[C]
DETAILS ORDER

1-AD10-003



Item	Part Number	Qty	Description	Comments
1	3019692X91	1	Union	
2	3019395X1	1	O Ring	(1)
3	3019700X91	1	Union	
4	3019393X1	1	O Ring	(3)
5	3617204M92	1	Tube	
6	3617201M1	1	Grommet	
7	364279X1	1	Elbow	Up to Serial or Engine Number A192032
8	3900279M91	2	Kit, Joint	
9	3616413M1	2	Piston	Diameter 30MM
10	3616450M1	1	Pan	
11	3617191M1	2	Segment	
12	3617198M3	1	Stop	
13	3616417M1	1	Support	
14	3580955M1	1	Finger	
15	3010184X1	1	Screw	M8X45
	3010185X1	2	Screw	M8X25
16	3019660X91	1	Union	
17	3019393X1	1	O Ring	(16)
18	3615722M1	1	Grommet	
19	3384387M1	1	Pressure Intake	
20	3617210M91	1	Tube	Up to Serial or Engine Number C097039
	3713328M91	1	Tube	From Serial or Engine Number C097040
21	3617819M10	1	Parts Pack	3617819M0A
22	356376X1	1	Elbow	From Serial or Engine Number A192033

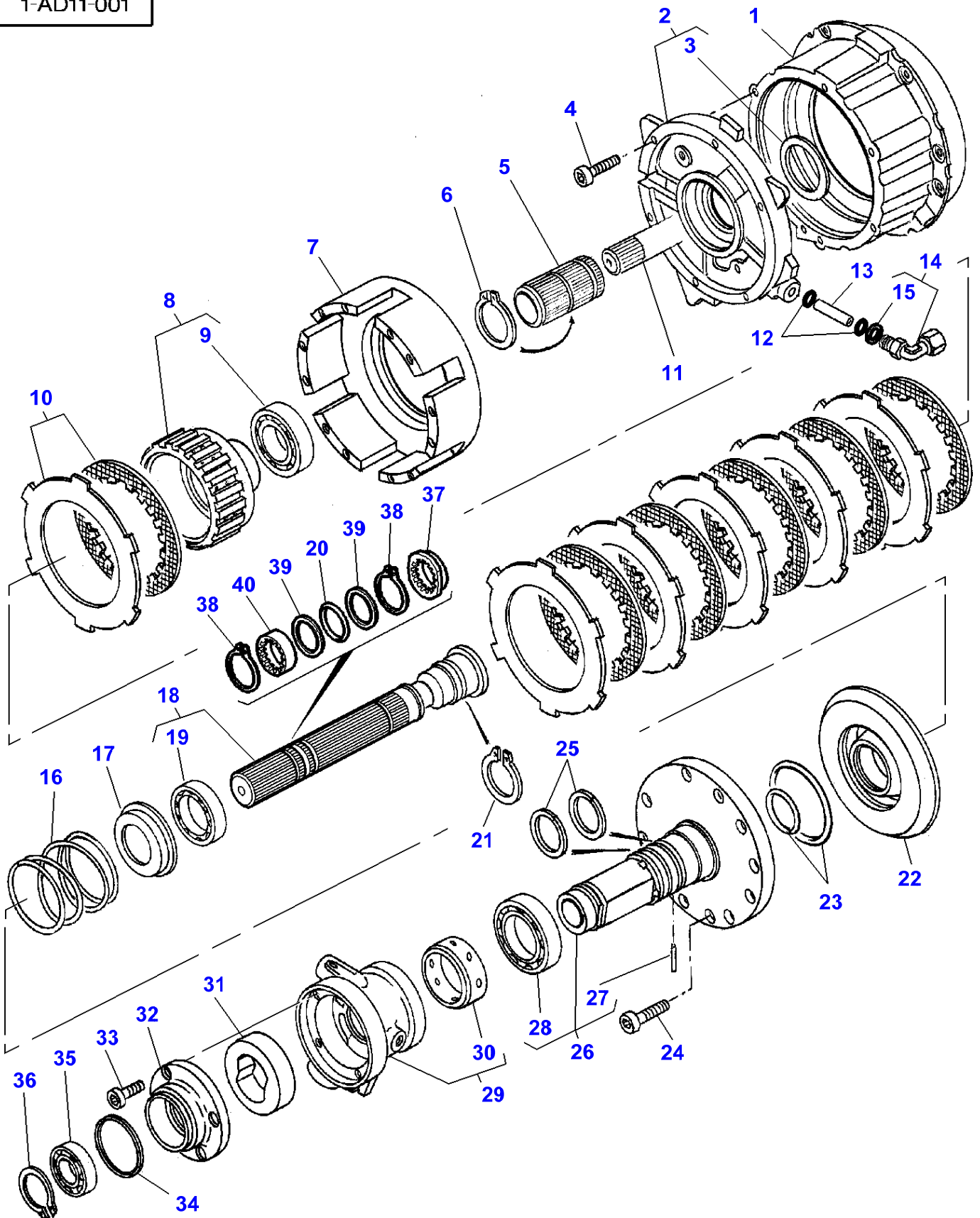
1-AD11-004



MASSEY FERGUSON**MF 3690 TRACTOR - 1637223****1637223****WET CLUTCH****96**

Item	Part Number	Qty	Description	Comments
1	3619261M91	1	Flywheel	
2	1619032M1	1	Crownwheel	(1)
3	3712721M1	1	Hub	
4	3010484X1	8	Screw Metric	M12X90

1-AD11-001

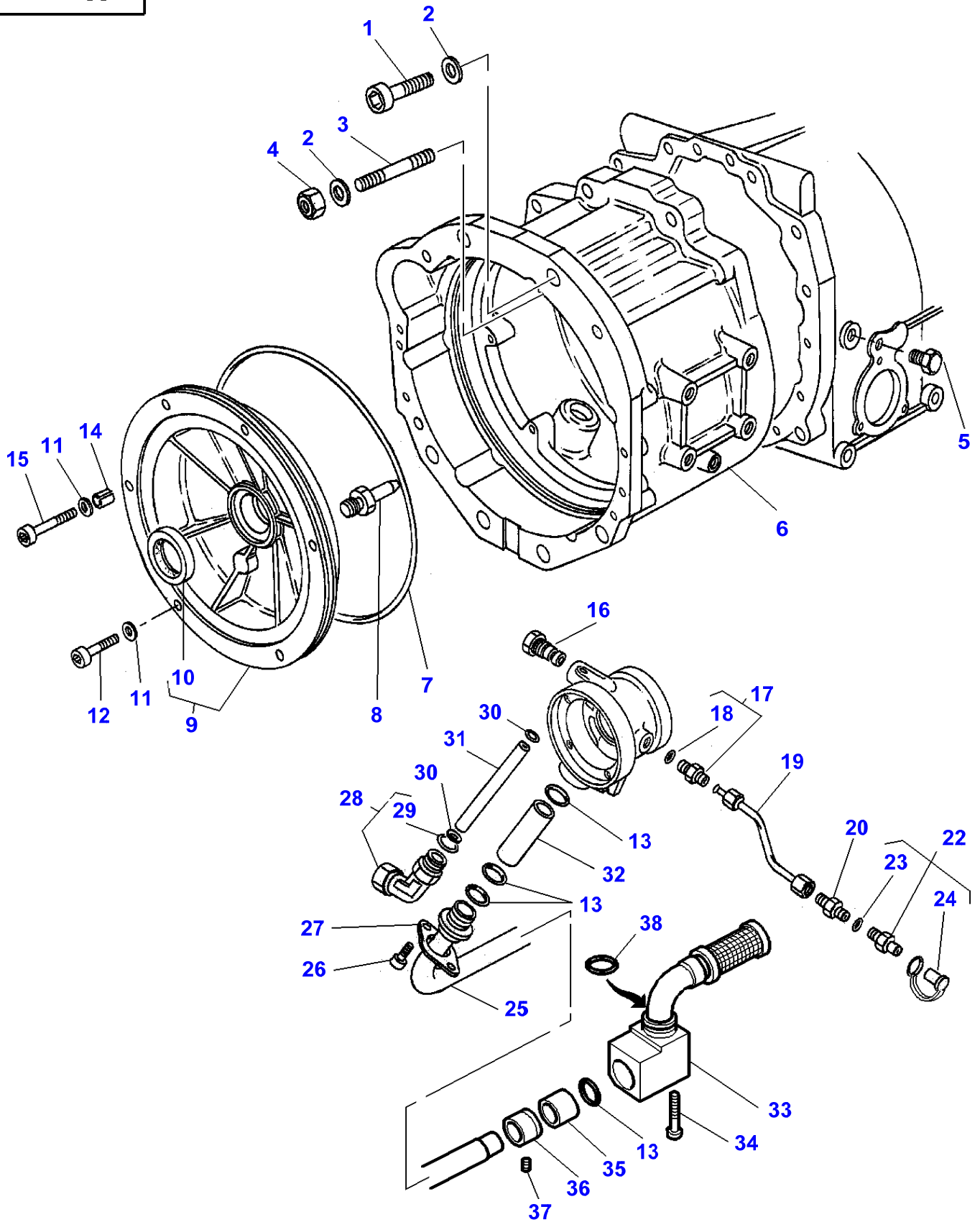


WET CLUTCH

Item	Part Number	Qty	Description	Comments
1	3619589M12	1	Spacer	3619589M92
2	3713686M11	1	Cover	3713686M91
3	3619257M1	1	Washer	(2)
4	3010482X1	6	Screw Metric	M8X55
5	3619240M1	1	Sleeve	
6	1440528X1	1	Circlip	
7	3619270M1	1	Cover	
8	3712814M11	1	Hub	3712814M91
9	3712297M1	1	Bearing Assy	(8)
10	3712817M11	1	Kit, Clutch	[A] 3712817M91
11	3619268M2	1	Shaft	
12	377494X1	4	O Ring	
13	3619629M1	1	Tube	
14	3385713M91	1	Union	
15	1852568M1	1	O Ring	(14)
16	3619276M1	1	Spring	
17	3619167M4	1	Stop	
18	3712816M12	1	Shaft	3712816M91
19	3712300M1	1	Bearing Assy	(18)
20	3010501X1	1	Gasket	
21	391129X1	1	Circlip	
22	3619183M2	1	Piston	
23	3712819M11	1	Kit, Joint	3712819M91
24	3010493X1	12	Screw	M8X55
25	3382247M4	2	Segment	
26	3712818M11	1	Parts Pack	3712818M91
27	3019274X1	1	Pin	(26)
28	3010462X1	1	Bearing Assy	(26)
29	3712820M11	1	Body Pump	3712820M91
30	3619253M1	1	Bush	(29)
31	3619236M1	1	Pump	
32	3619666M1	1	Cover	
33	391989X1	4	Screw Metric	M8X20
34	3900913M91	1	Kit, Shims	Thickness 0,05MM Thickness 2MM
35	3010463X1	1	Bearing Assy	
36	339470X1	1	Circlip	
37	3712719M1	1	Tray	
38	3010464X1	2	Clip	
39	3010483X1	2	Bush	
40	3712720M1	1	Sleeve	

[A]
INCLUDES 7 DISCS AND 7 PLATES

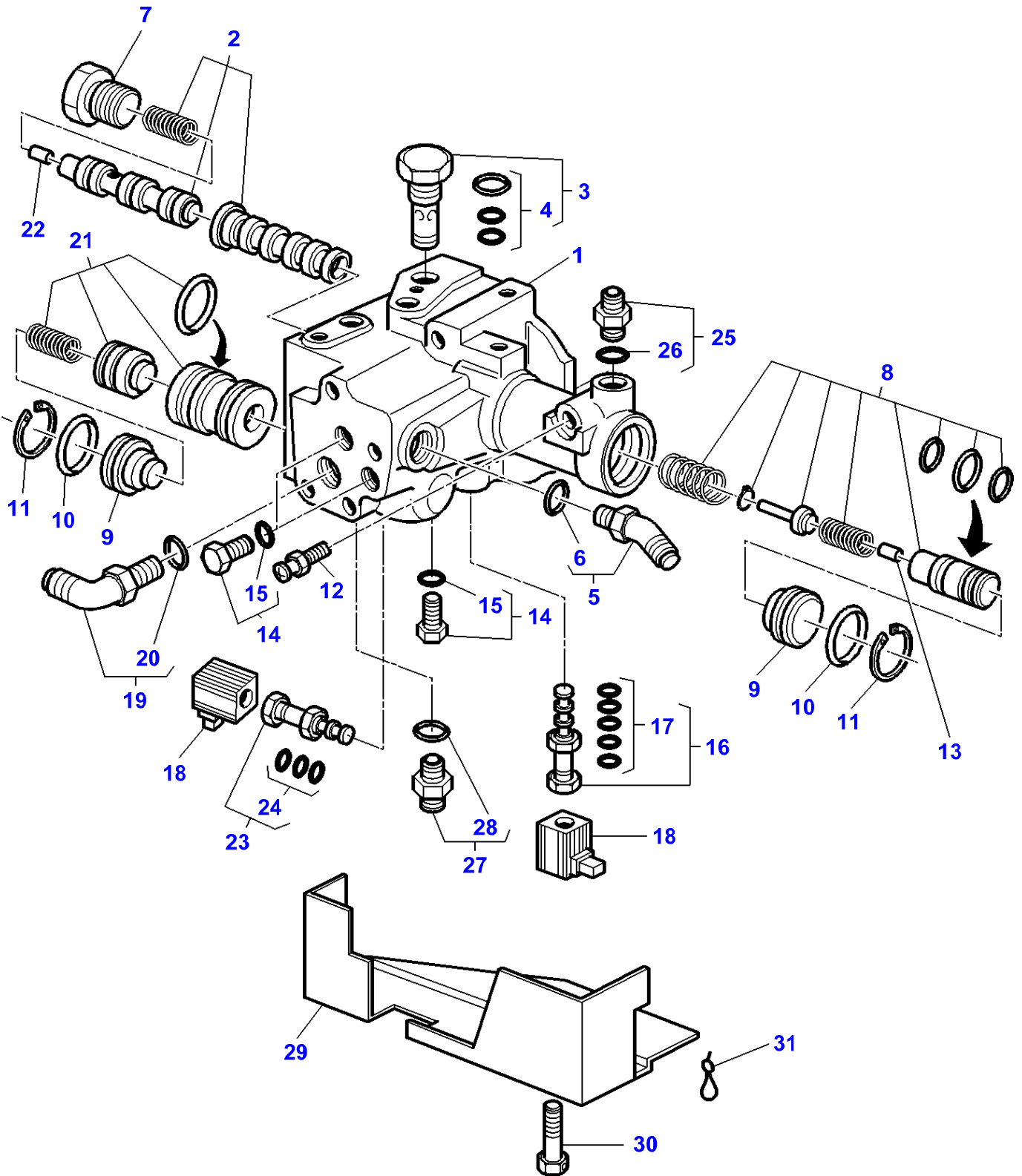
1-AD11-002



WET CLUTCH

Item	Part Number	Qty	Description	Comments
1	1441194X1	2	Screw Metric	M12X45
2	3385525M2	12	Washer	
3	3019861X1	10	Stud	
4	3019862X1	10	Nut Metric	M12
5	354700X1	1	Screw	Left Hand 3/4"-10X19
5	339494X1	1	Plug	Right Hand M20
6	3619193M2	1	Spacer	
7	3010465X1	1	Gasket	
8	3619673M1	1	Clevis Pin	
9	3712813M11	1	Cover	3712813M91
10	3712304M1	1	Bush	(9)
11	385361X1	6	Washer Metric	Diameter 8MM
12	1440349X1	4	Screw Metric	M8X30
13	3010466X1	4	Gasket	
14	3008025X1	2	Pin	Diameter 10MM Length 18MM
15	3009287X1	2	Screw Metric	M8X40
16	3619243M2	1	Non Return Valve	1,5 BAR
17	3019375X91	1	Union	
18	3019393X1	1	O Ring	(17)
19	3712309M91	1	Tube	Up to Serial or Engine Number C182003
	3713498M91	1	Tube	From Serial or Engine Number C182004
20	3384958M2	1	Union	
22	3384950M1	1	Pressure Intake	
23	831452M2	1	O Ring	(22)
24	3467187M1	1	Cap	(22)
25	3619697M91	1	Tube	
26	391989X1	2	Screw Metric	M8X20
27	3619657M1	1	Bridle	
28	3385713M91	1	Union	
29	1852568M1	1	O Ring	(28)
30	377494X1	2	O Ring	
31	3712204M1	1	Tube	
32	3619630M1	1	Tube	
33	3712405M91	1	Pan	
34	3008596X1	3	Bolt	M6X60
35	3712664M1	1	Bush	
36	3712665M1	1	Bush	
37	3009351X1	1	Screw	M6
38	365374X1	1	Seal	

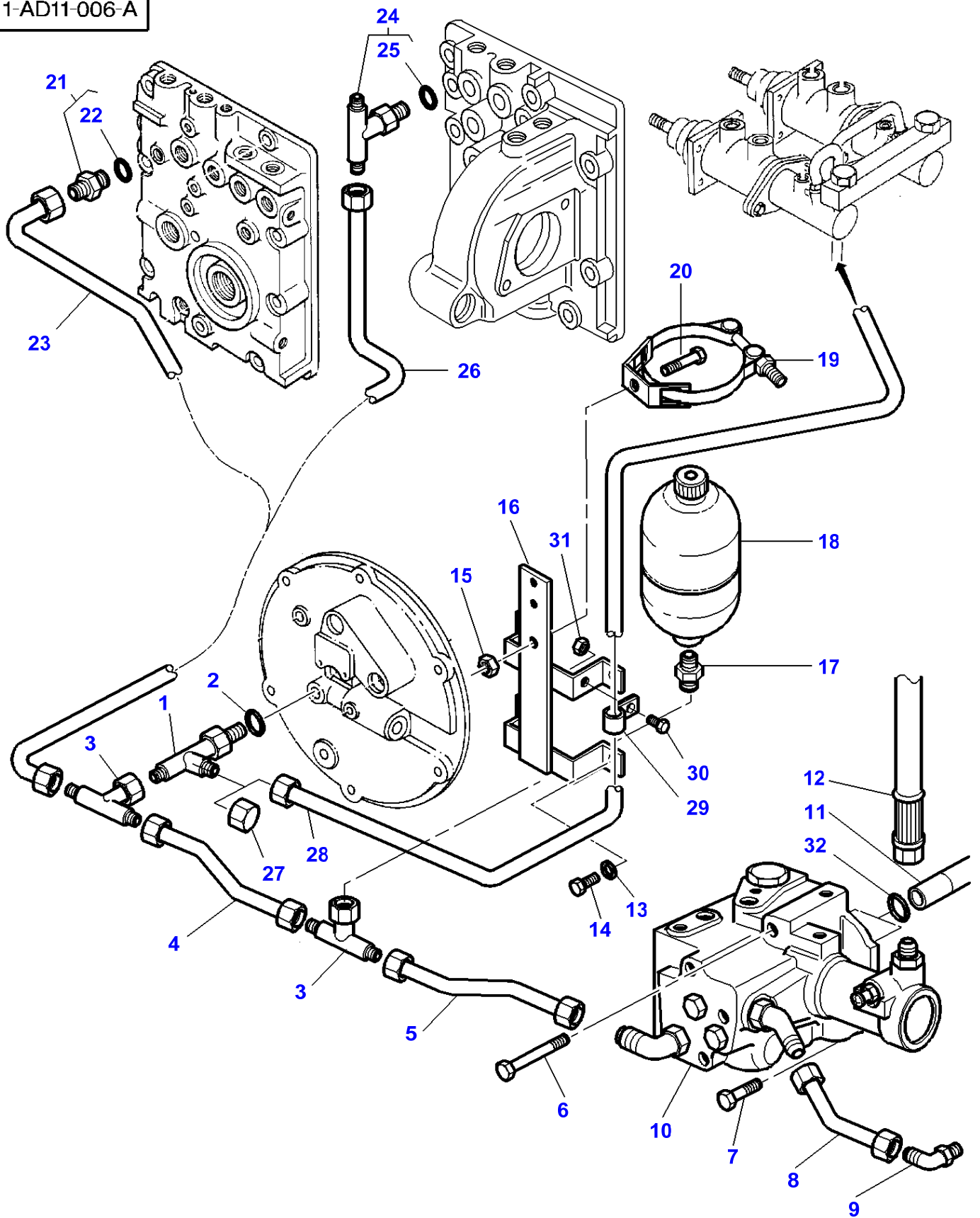
1-AD11-007



WET CLUTCH - VALVE

Item	Part Number	Qty	Description	Comments
				VALVE
1	3712685M15	1	Pressure Valve	3712685M95
2	3713395M11	1	Parts Pack	(1) 3713395M91
3	3619243M2	1	Non Return Valve	(1)
4	3900995M91	1	Kit, Joint	(3)
5	3019586X91	1	Union	(1)
6	3019396X1	1	O Ring	(5)
7	3712307M1	1	Plug	(1)
8	3713396M11	1	Parts Pack	(1) 3713396M91
9	3712323M2	2	Plug	(1)
10	373215X1	2	Gasket	(1)
11	3010481X1	2	Clip	(1)
12	3052960M1	1	Banjo Bolt	(1)
13	3713473M1	1	Stop	(1)
14	3019639X91	3	Plug	(1)
15	3019395X1	1	O Ring	(14)
16	3619824M1	1	Spool	(1)
17	3900993M91	1	Kit, Joint	(16)
18	3619763M1	2	Solenoid	(1)
19	3019414X91	1	Union	(1)
20	3019396X1	1	O Ring	(19)
21	3713394M11	1	Parts Pack	(1) 3713394M91
22	3713557M1	1	Stop	(1)
23	3619762M1	1	Spool	(1)
24	3900994M91	1	Kit, Joint	(23)
25	3713388M91	1	Union	(1)
26	3019396X1	1	O Ring	(25)
27	3019700X91	1	Union	(1)
28	3019394X1	1	O Ring	(27)
29	3713740M1	1	Protector	
30	380019X1	1	Screw	
31	3618653M1	1	Wire	

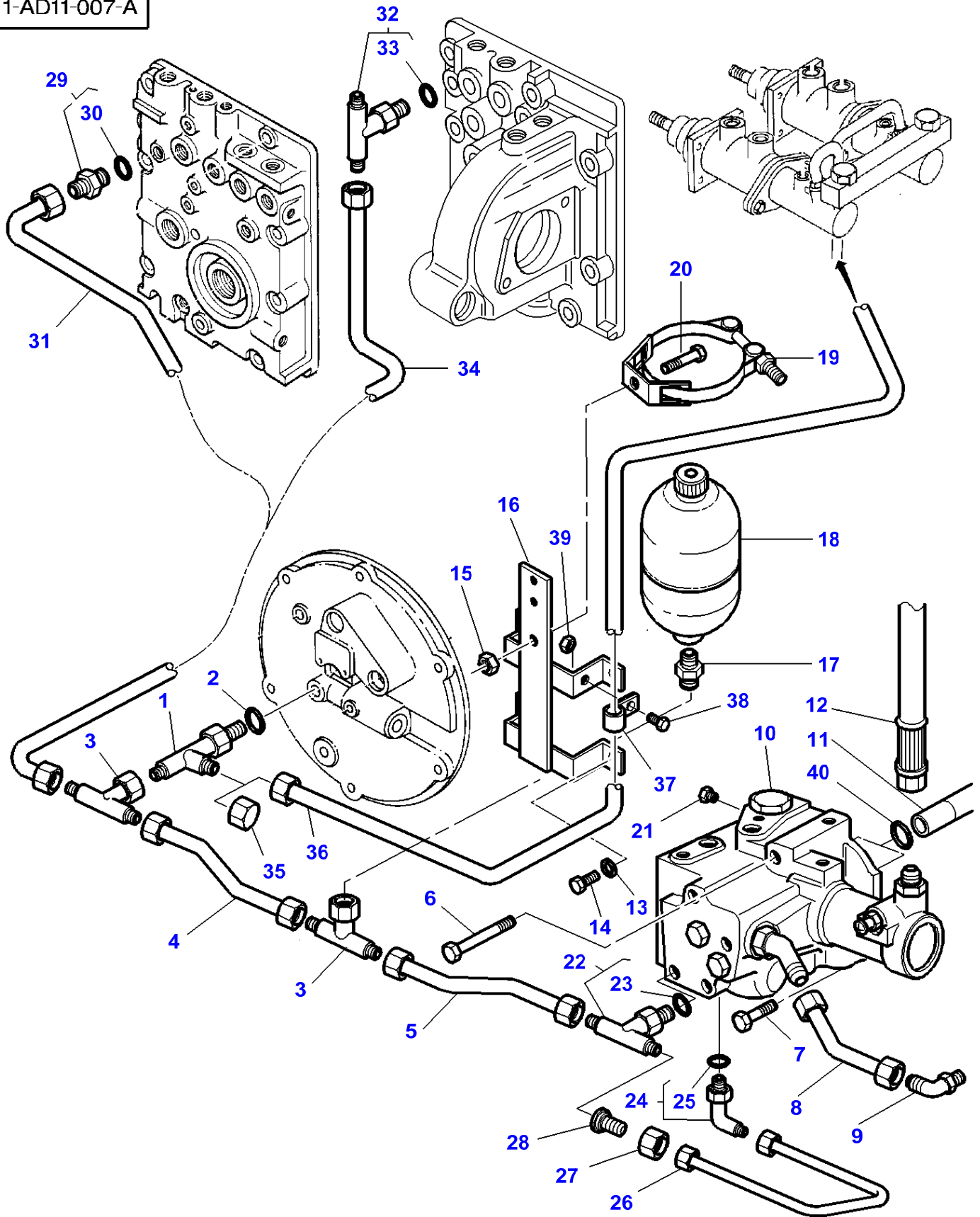
1-AD11-006-A



Item	Part Number	Qty	Description	Comments
				CONTROL UP TO SERIAL C146002
1	3010498X1	1	Teepiece	
2	3019395X1	1	O Ring	
3	372543X1	2	Union	
4	3712911M91	1	Tube	
5	3712909M91	1	Tube	
6	339159X1	1	Bolt Metric	M8X65
7	339123X1	2	Screw Metric	M8X20
8	3712906M91	1	Tube	
9		1	Union	See Page - Reference Number 98/2
10		1	Pressure Valve	See Page - Reference Number 99/
11	3712358M1	2	Tube	
12		1	Hydr Hose	See Page - Reference Number 92/2
13	339328X1	3	Washer	Diameter 21MM
14	354702X1	3	Screw	Diameter 3/4"
15	339169X1	1	Nut Metric	M8
16	3617708M5	1	Support	
17	355825X1	1	Connector	
18	3619551M1	1	Accumulator	
19	3619807M1	1	Bridle	
20	339124X1	1	Screw Metric	M8X16
21	3019700X91	1	Union	
22	3019394X1	1	O Ring	(21)
23	3713390M91	1	Tube	
24	3019609X91	1	Union	[A]
25	3019396X1	1	O Ring	[A] (24)
26	3713427M91	1	Tube	[A]
27	356579X1	1	Cap	
28	3713392M91	1	Tube	
29	3387578M1	1	Clamp	
30	339337X1	1	Screw Metric	M8X30
31	339169X1	1	Nut Metric	M8
32	377494X1	4	O Ring	

[A]
WITH LOAD SENSING

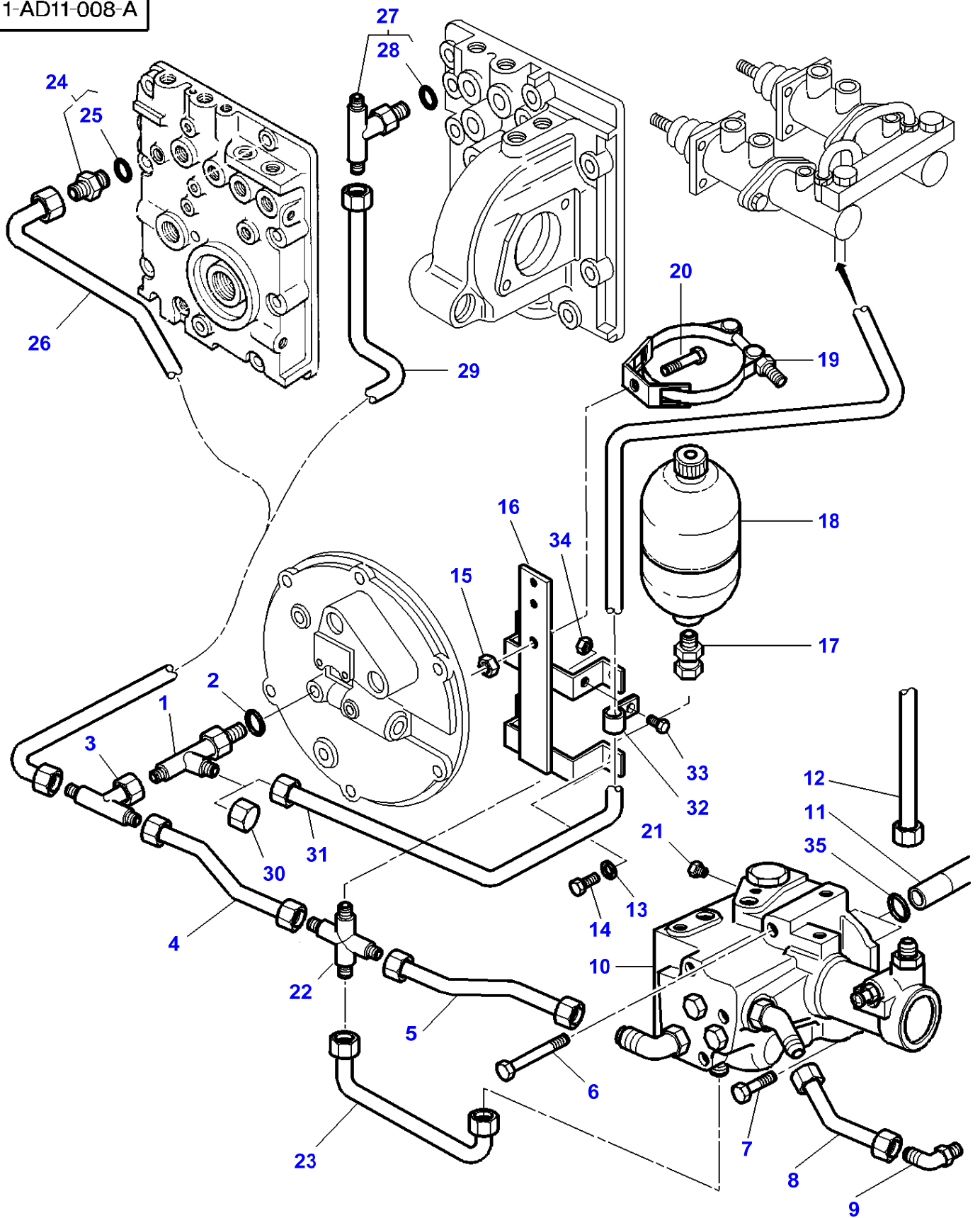
1-AD11-007-A



Item	Part Number	Qty	Description	Comments
				CONTROL FROM SERIAL NUMBER C146003 UP TO D170036
1	3010498X1	1	Teepiece	
2	3019395X1	1	O Ring	
3	372543X1	2	Union	
4	3712911M91	1	Tube	
5	3712909M91	1	Tube	
6	339159X1	1	Bolt Metric	M8X65
7	339123X1	2	Screw Metric	M8X20
8	3712906M91	1	Tube	
9		1	Union	See Page - Reference Number 98/2
10		1	Pressure Valve	See Page - Reference Number 99/
11	3712358M1	2	Tube	
12		1	Hydr Hose	See Page - Reference Number 92/2
13	339328X1	3	Washer	Diameter 21MM
14	354702X1	3	Screw	Diameter 3/4"
15	339169X1	1	Nut Metric	M8
16	3617708M5	1	Support	
17	355825X1	1	Connector	
18	3619551M1	1	Accumulator	
19	3619807M1	1	Bridle	
20	339124X1	1	Screw Metric	M8X16
21	1442560X1	1	Plug	
22	3019609X91	1	Union	
23	3019396X1	1	O Ring	(22)
24	3019302X91	1	Union	
25	3019393X1	1	O Ring	(24)
26	3713623M91	1	Tube	
27	195960M1	1	Nut	
28	380003X1	1	Union	
29	3019700X91	1	Union	
30	3019394X1	1	O Ring	(29)
31	3713390M91	1	Tube	
32	3019609X91	1	Union	[A]
33	3019396X1	1	O Ring	[A] (32)
34	3713427M91	1	Tube	[A]
35	356579X1	1	Cap	
36	3713392M91	1	Tube	
37	3387578M1	1	Clamp	
38	339337X1	1	Screw Metric	M8X30
39	339169X1	1	Nut Metric	M8
40	377494X1	4	O Ring	

[A]
WITH LOAD SENSING

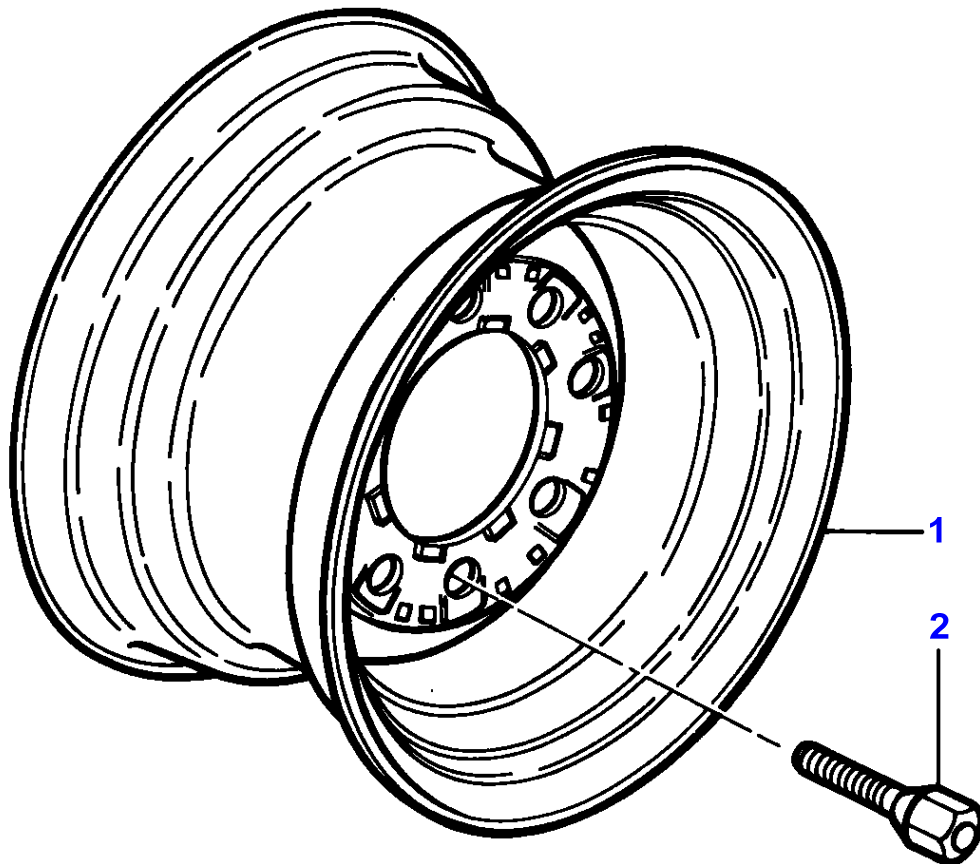
1-AD11-008-A



Item	Part Number	Qty	Description	Comments
				CONTROL FROM SERIAL NUMBER D170037
1	3010498X1	1	Teepiece	
2	3019395X1	1	O Ring	
3	372543X1	1	Union	
4	3712911M91	1	Tube	
5	3712909M91	1	Tube	
6	339159X1	1	Bolt Metric	M8X65
7	339123X1	2	Screw Metric	M8X20
8	3712906M91	1	Tube	
9		1	Union	See Page - Reference Number 98/2
10		1	Pressure Valve	See Page - Reference Number 99/
11	3712358M1	2	Tube	
12		1	Hydr Hose	See Page - Reference Number 92/2
13	339328X1	3	Washer	Diameter 21MM
14	354702X1	3	Screw	Diameter 3/4"
15	339169X1	1	Nut Metric	M8
16	3617708M5	1	Support	
17	380018X1	1	Connector	
18	3619551M1	1	Accumulator	
19	3619807M1	1	Bridle	
20	339124X1	1	Screw Metric	M8X16
21	1442560X1	1	Plug	
22	3715318M91	1	Union	
23	3713633M1	1	Tube	
24	3019700X91	1	Union	
25	3019394X1	1	O Ring	(24)
26	3713390M91	1	Tube	
27	3019609X91	1	Union	[A]
28	3019396X1	1	O Ring	[A] (27)
29	3713427M91	1	Tube	[A]
30	356579X1	1	Cap	
31	3713392M91	1	Tube	
32	3387578M1	1	Clamp	
33	339337X1	1	Screw Metric	M8X30
34	339169X1	1	Nut Metric	M8
35	377494X1	4	O Ring	

[A]
WITH LOAD SENSING

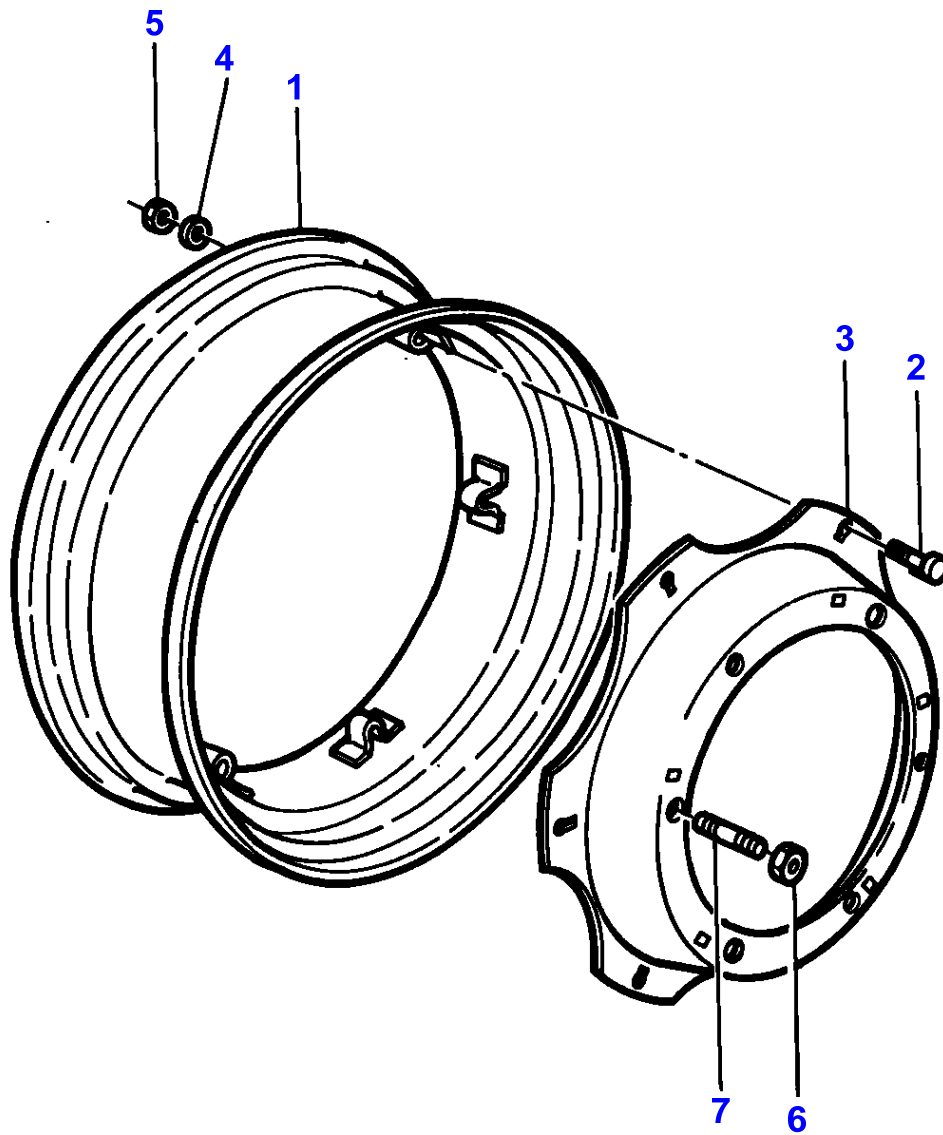
1-AL02-001



MASSEY FERGUSON**MF 3690 TRACTOR - 1637223****1637223****FRONT WHEELS-2 WHEEL DRIVE - FITTING 8 SCREWS****103**

Item	Part Number	Qty	Description	Comments
				FITTING 8 SCREWS
1	1614384M1	2	Wheel	8X16
	1614385M1	2	Rim	11X16
2	1823598M1	16	Screw Metric	Diameter M16X1,5

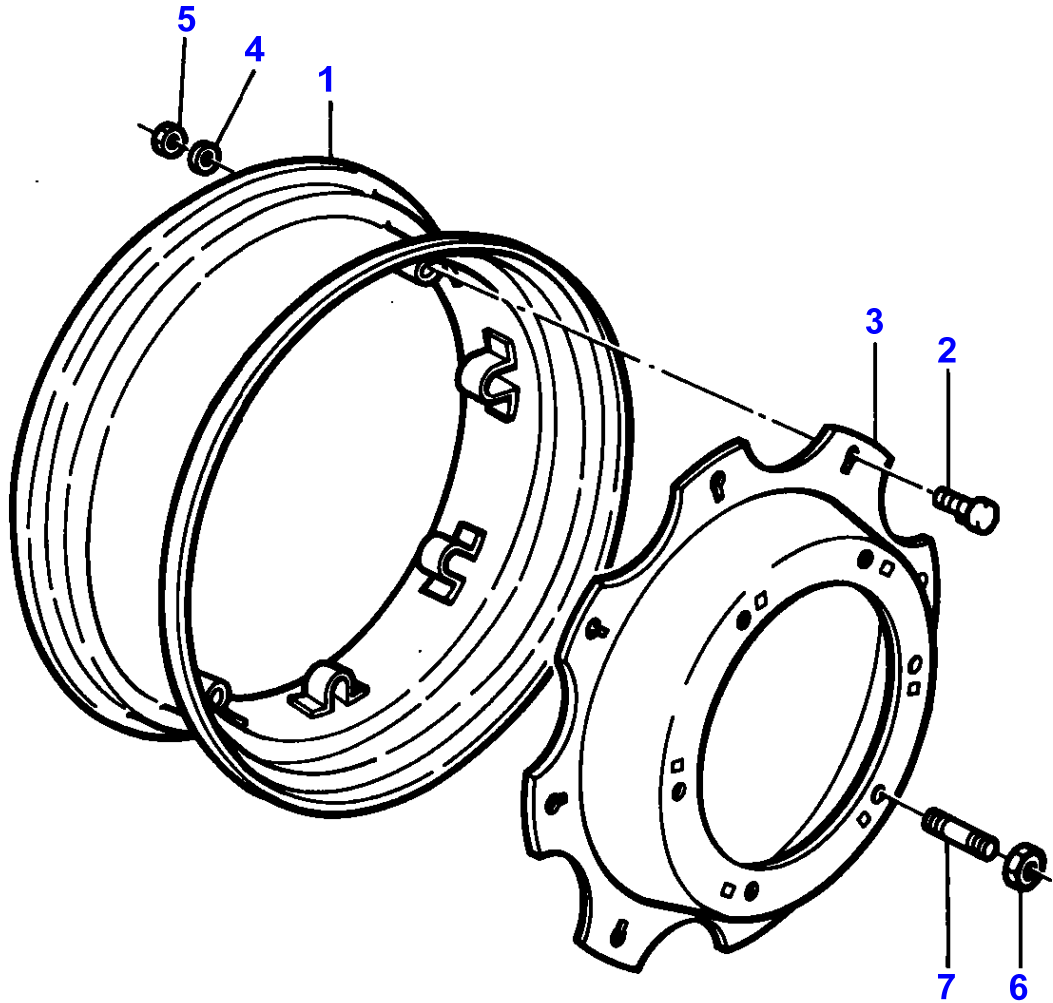
1-AL03-002



FRONT WHEELS-4 WHEEL DRIVE - FITTING 6 STUDS

Item	Part Number	Qty	Description	Comments
				FITTING 6 STUDS
1	1870401M91	2	Rim	[A] 11X28 Up to Serial or Engine Number
1	3581779M2	2	Rim	[B] 11X28 From Serial or Engine Number
1	3042129M91	2	Rim	[A] 12X28 Up to Serial or Engine Number
1	3581857M2	2	Rim	[B] 12X28 From Serial or Engine Number
1	3381476M91	2	Rim	[A] 14X28
1	3581859M2	2	Rim	[B] 14X28
2	3384620M1	12	Screw Special	Diameter M16X80MM
3	3382936M1	2	Disc	[A] 28" Up to Serial or Engine Number
3	3581778M1	2	Disc	[B] 28" From Serial or Engine Number
3	3712576M1	2	Disc	14X28 From Serial or Engine Number 09/94
4	377329X1	12	Washer	[A] Up to Serial or Engine Number
4	338577X1	12	Washer	[B] From Serial or Engine Number
5	1440231X1	12	Nut Metric	Diameter M16X1,5
6	3384600M2	12	Nut Special	Diameter M18X1,5
	3712611M2	X	Nut Special	M22X1,5 From Serial or Engine Number 09/94
7	3384595M2	12	Stud	Diameter M18X70MM
				[A] DELACHAUX
				[B] SIRIA

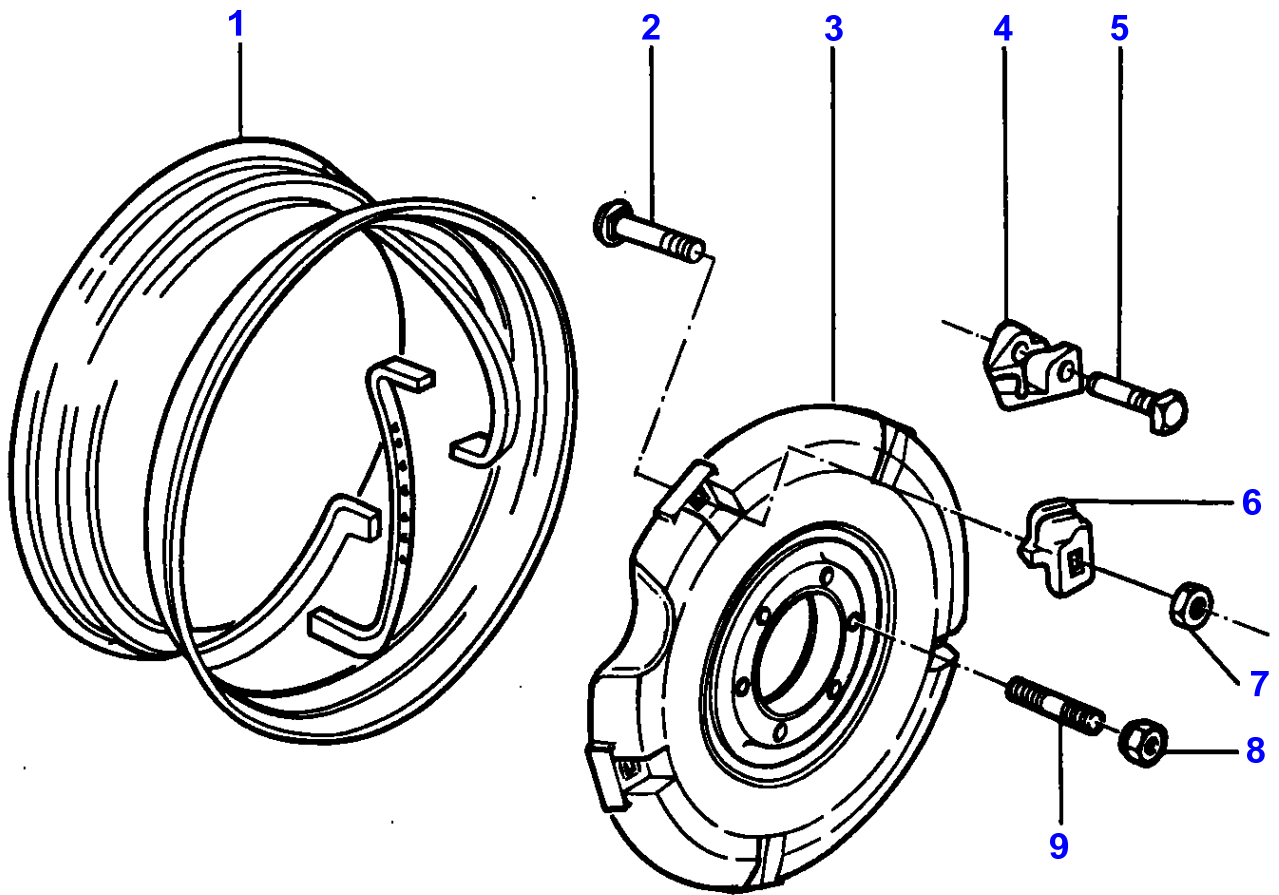
1-AL03-003



FRONT WHEELS-4 WHEEL DRIVE - FITTING 6 STUDS

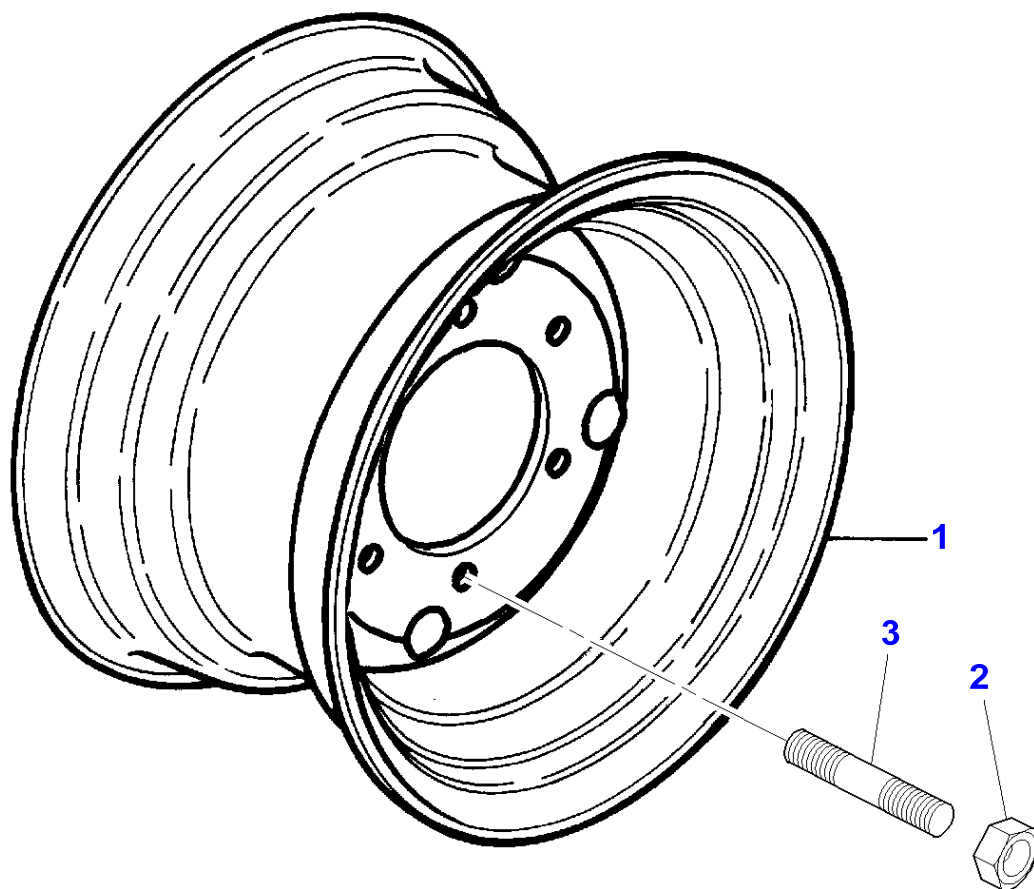
Item	Part Number	Qty	Description	Comments
				FITTING 6 STUDS
1	3383278M91	2	Rim	[A] 11X28
1	3581862M1	2	Rim	[B] 11X28
1	3583098M1	2	Rim	[A,C] 12X28 Up to Serial or Engine Number
1	3383279M91	2	Rim	[A] 12X28
1	3581864M1	2	Rim	[B] 12X28
1	3583346M1	2	Rim	[A,C] 14X28 Up to Serial or Engine Number
1	3383280M91	2	Rim	[A] 14X28
1	3582433M1	2	Rim	[B] 14X28
1	1678716M92	2	Rim	[B] 14X30 From Serial or Engine Number
1	1678717M91	2	Rim	[A] 14X30 Up to Serial or Engine Number
1	3583099M2	2	Rim	[B] 12X28 From Serial or Engine Number
1	3583347M2	2	Rim	[B] 14X28 From Serial or Engine Number
2	3384620M1	8	Screw Special	Diameter M16 Length 80MM
3	3386463M1	2	Disc	[A] 28" - 30" Up to Serial or Engine Number
3	3583111M1	2	Disc	[A,C] 28" Up to Serial or Engine Number
3	3581861M1	2	Disc	[B] 28" - 30" From Serial or Engine Number
3	3583112M1	2	Disc	[B] 28" From Serial or Engine Number
3	3712587M1	2	Disc	14X28 From Serial or Engine Number 09/94
4	338577X1	8	Washer	
5	1440231X1	8	Nut Metric	Diameter M16X1,5
6	3384600M2	12	Nut Special	Diameter M18X1,5
	3712611M2	X	Nut Special	M22X1,5 From Serial or Engine Number 09/94
7	3384595M2	12	Stud	Diameter M18 Length 70MM
				[A] DELACHAUX
				[B] SIRIA
				[C] FOR TRACK 60"

1-AL03-008



Item	Part Number	Qty	Description	Comments
				FITTING 6 STUDS
1	3381506M92	2	Rim	12X28
	3381870M92	2	Rim	14X28
2	3384603M1	10	Screw	Diameter M18X1,5
3	3382960M3	2	Flange	
4	503676M1	8	Body	
5	1751403M1	8	Screw Unc	Diameter 9/16" Length 67MM
6	3615259M2	10	Bridle	
7	3384600M2	10	Nut Special	Diameter M18X1,5
8	3384600M2	12	Nut Special	Diameter M18X1,5
9	3384595M2	12	Stud	Diameter M18X70MM

1-AL03-010



MASSEY FERGUSON**MF 3690 TRACTOR - 1637223**

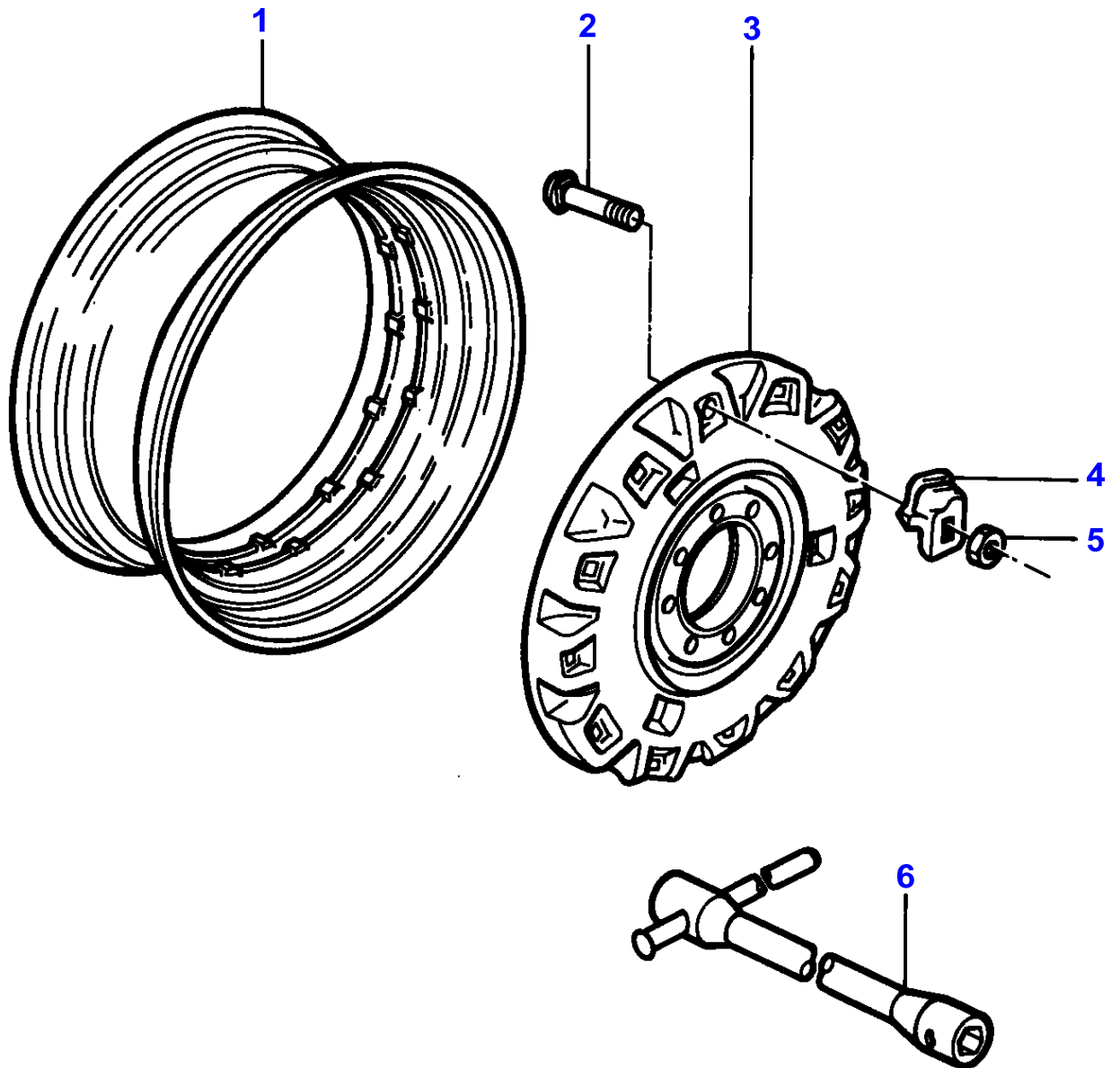
1637223

FRONT WHEELS-4 WHEEL DRIVE - FITTING 6 STUDS

107

Item	Part Number	Qty	Description	Comments
				FITTING 6 STUDS
1	3617945M1	2	Rim	20X26
	3618455M1	2	Rim	15X28
	3712561M1	2	Rim	20X26
				From Serial or Engine Number 09/94
1	3712562M1	2	Rim	15X28
				From Serial or Engine Number 09/94
2	3384600M2	12	Nut Special	
	3712611M2	X	Nut Special	Diameter M22X1,5
				From Serial or Engine Number 09/94
3	3384595M2	12	Stud	

1-AM01-002

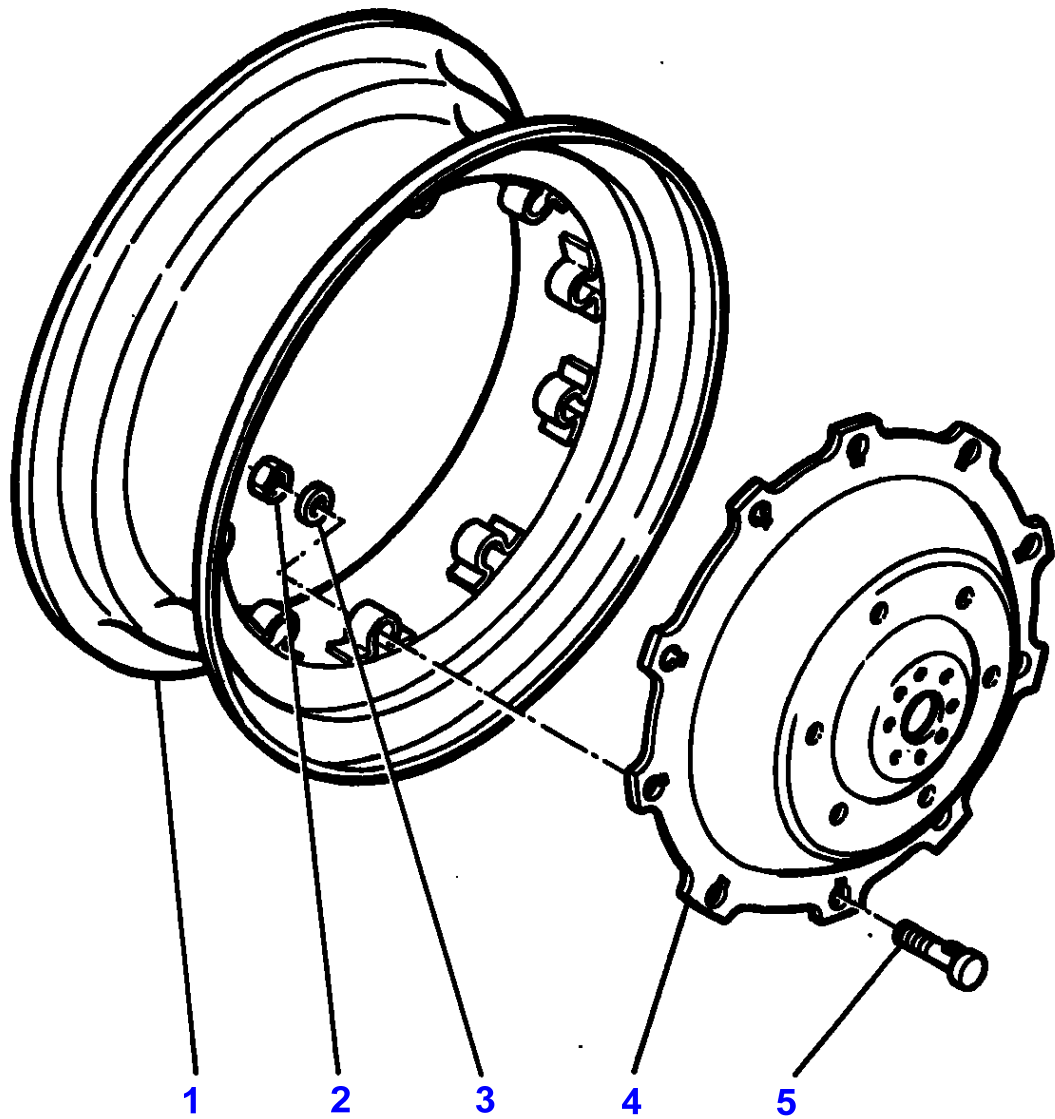


REAR WHEELS

Item	Part Number	Qty	Description	Comments
1	1611305M2	2	Rim	16X38 Q ?
	843159M2	2	Rim	18X38 Q ?
	3045773M2	2	Rim	18X42 Q ?
	3045773M2	4	Rim	18X42 Q ?
2	3384603M1	24	Screw	Diameter M18X1,5 Q ?
	3384603M1	48	Screw	Diameter M18X1,5 Q ?
3	3386687M3	2	Flange	SINGLE WHEELS
	3583641M2	2	Flange	[A] Q ?
	3582139M2	4	Flange	DUAL WHEELS
4	507773M1	24	Bridge Piece	SINGLE WHEELS
	507773M1	48	Bridge Piece	DUAL WHEELS
5	3384600M2	24	Nut Special	Diameter M18X1,5 Q ?
	3384600M2	48	Nut Special	Diameter M18X1,5 Q ?
6	3386406M1	1	Spanner	SINGLE WHEELS

[A]
WITH SHAFT DIAMETER 95MM

1-AM01-003



**MASSEY FERGUSON
MF 3690 TRACTOR - 1637223**

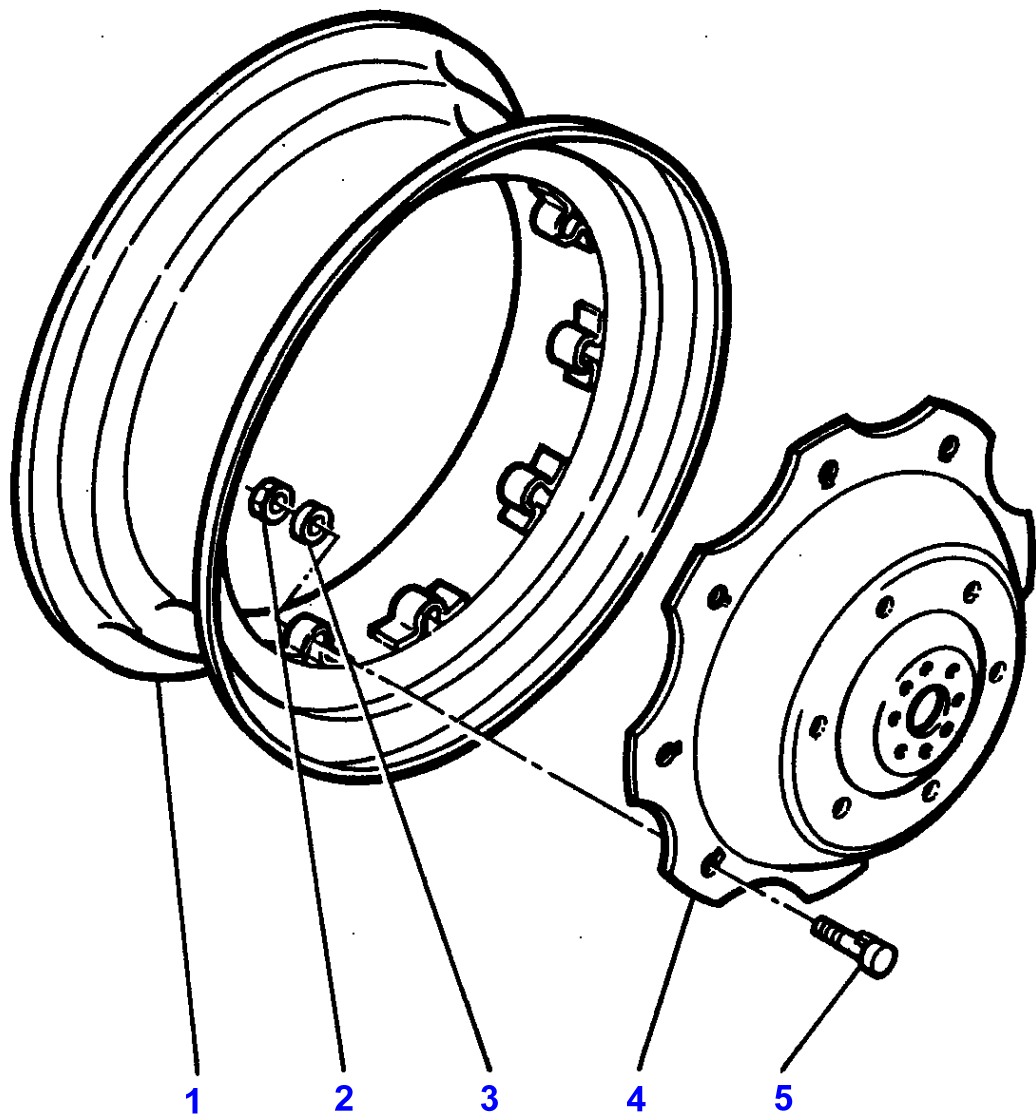
1637223

109

REAR WHEELS - DELACHAUX

Item	Part Number	Qty	Description	Comments
				DELACHAUX
1	3384063M1	1	Rim	18X38
2	1440231X1	10	Nut Metric	Diameter M16X1,5
3	338577X1	10	Washer	
4	3386453M1	1	Disc	38"
	3616476M1	1	Disc	[A] 38"
5	3384624M1	10	Screw Special	Diameter M16 Length 125MM
				[A] WITH SHAFT DIAMETER 95MM

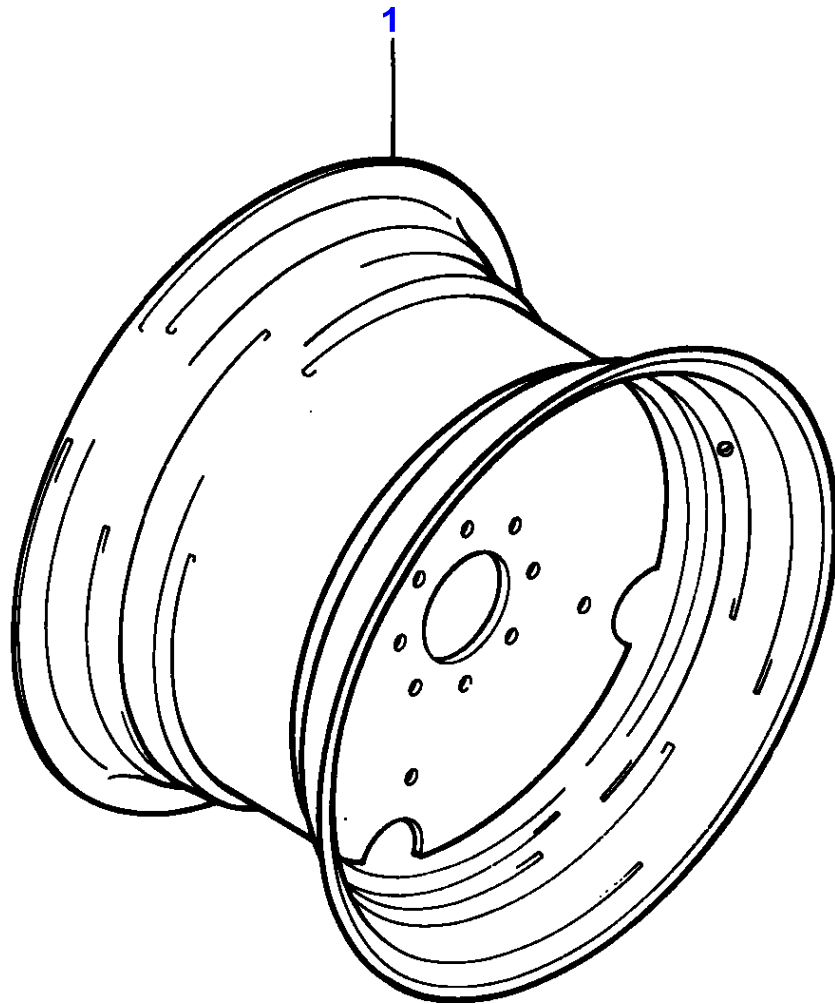
1-AM01-007



REAR WHEELS - SIRMAC

Item	Part Number	Qty	Description	Comments
				SIRMAC
1	3618937M2	1	Rim	18X38
2	1440231X1	8	Nut Metric	Repairs and replaces 3009748X1
3	338577X1	8	Washer	Repairs and replaces 1440284X1
4	3581788M1	1	Disc	
	3583631M1	1	Flange	[A]
5	3384624M1	8	Screw Special	
				[A]
				WITH SHAFT DIAMETER 95MM

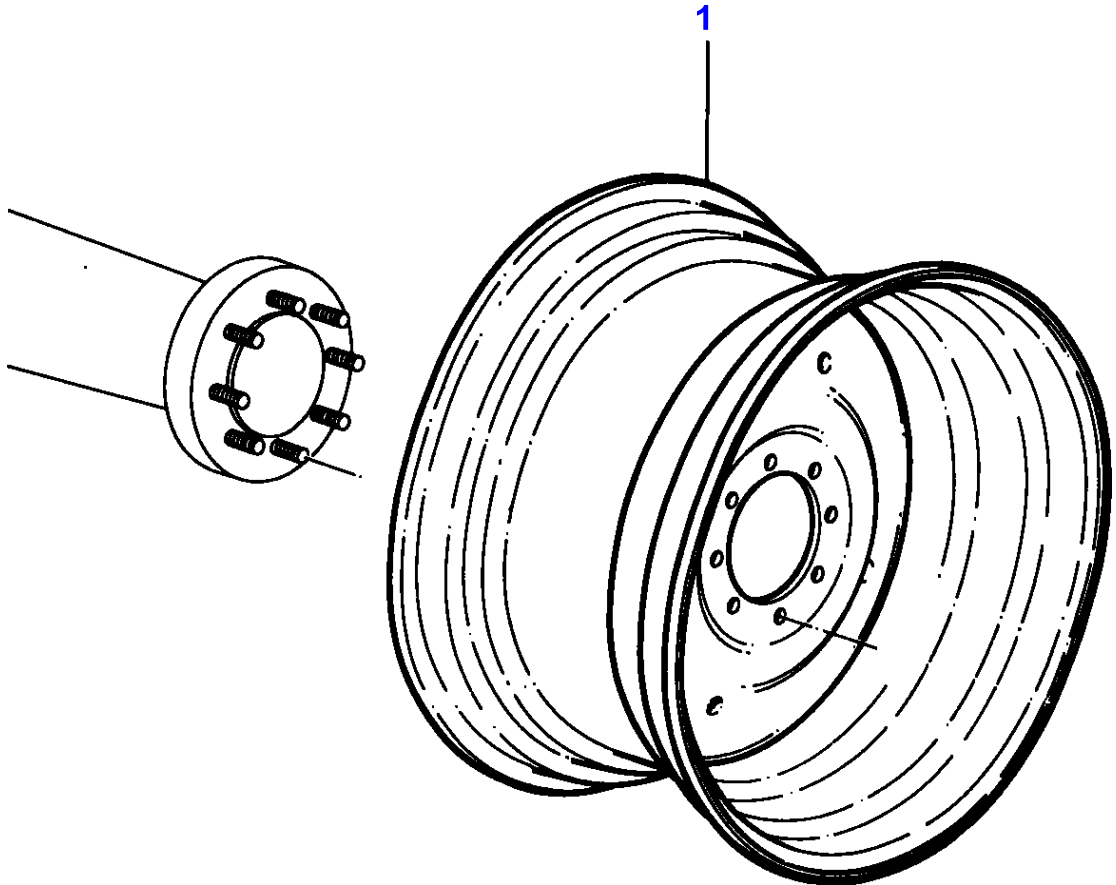
1-AM01-001



REAR WHEELS

Item	Part Number	Qty	Description	Comments
1	3616559M1	2	Rim	[A] 21X34 DELACHAUX
1	3617092M2	2	Rim	[A] 21X34 SIRMAC
1	3583781M2	2	Rim	[A] 23X34 [A] WITH SHAFT DIAMETER 95MM [B] TRACTOR STEEP NOSE ONLY

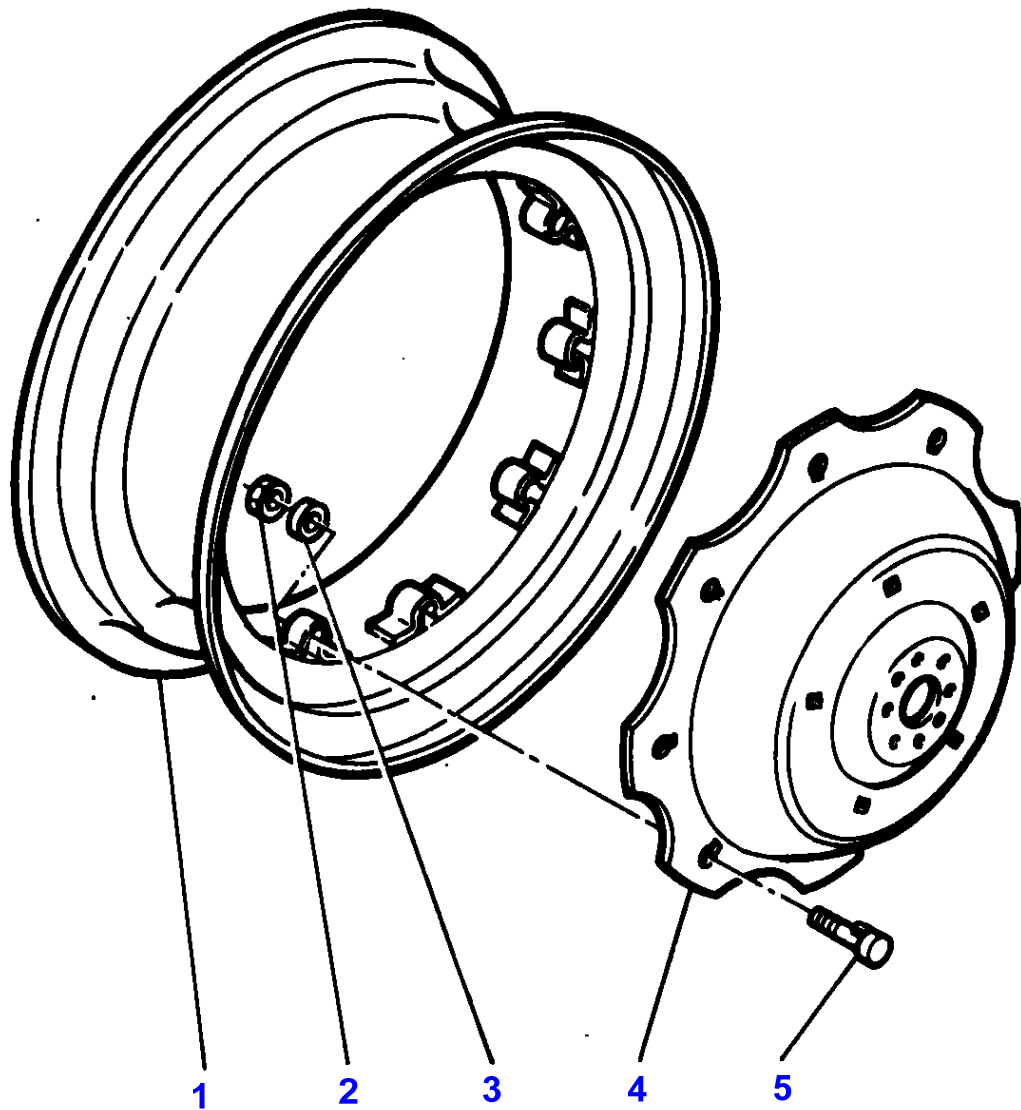
1-AM01-004



REAR WHEELS

Item	Part Number	Qty	Description	Comments
1	3618154M2	2	Rim	[A] SIRMAC 21 X 32 [A] WITH SHAFT DIAMETER 95MM [B] WITH SHAFT DIAMETER 82 MM

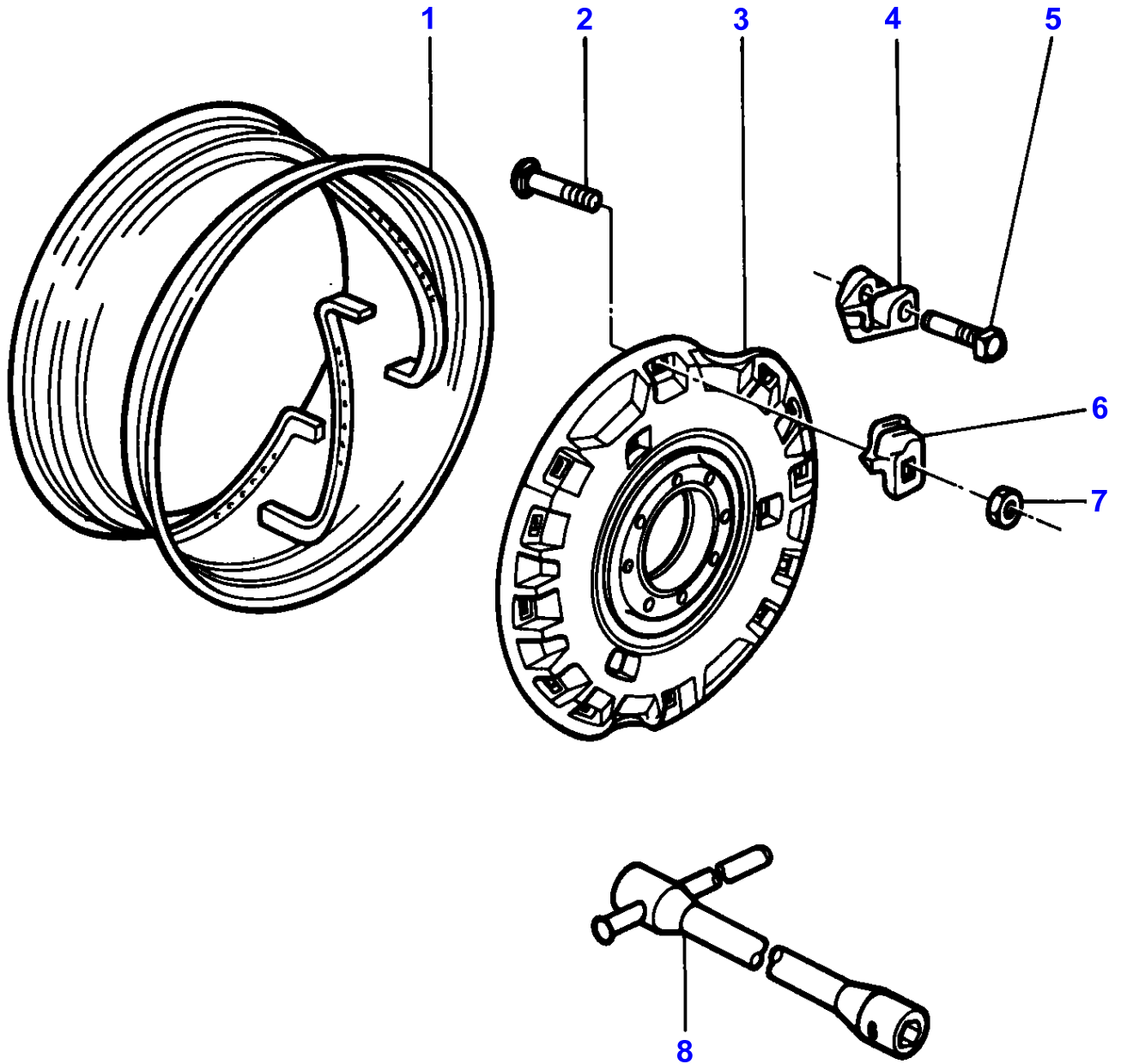
1-AM01-006



REAR WHEELS

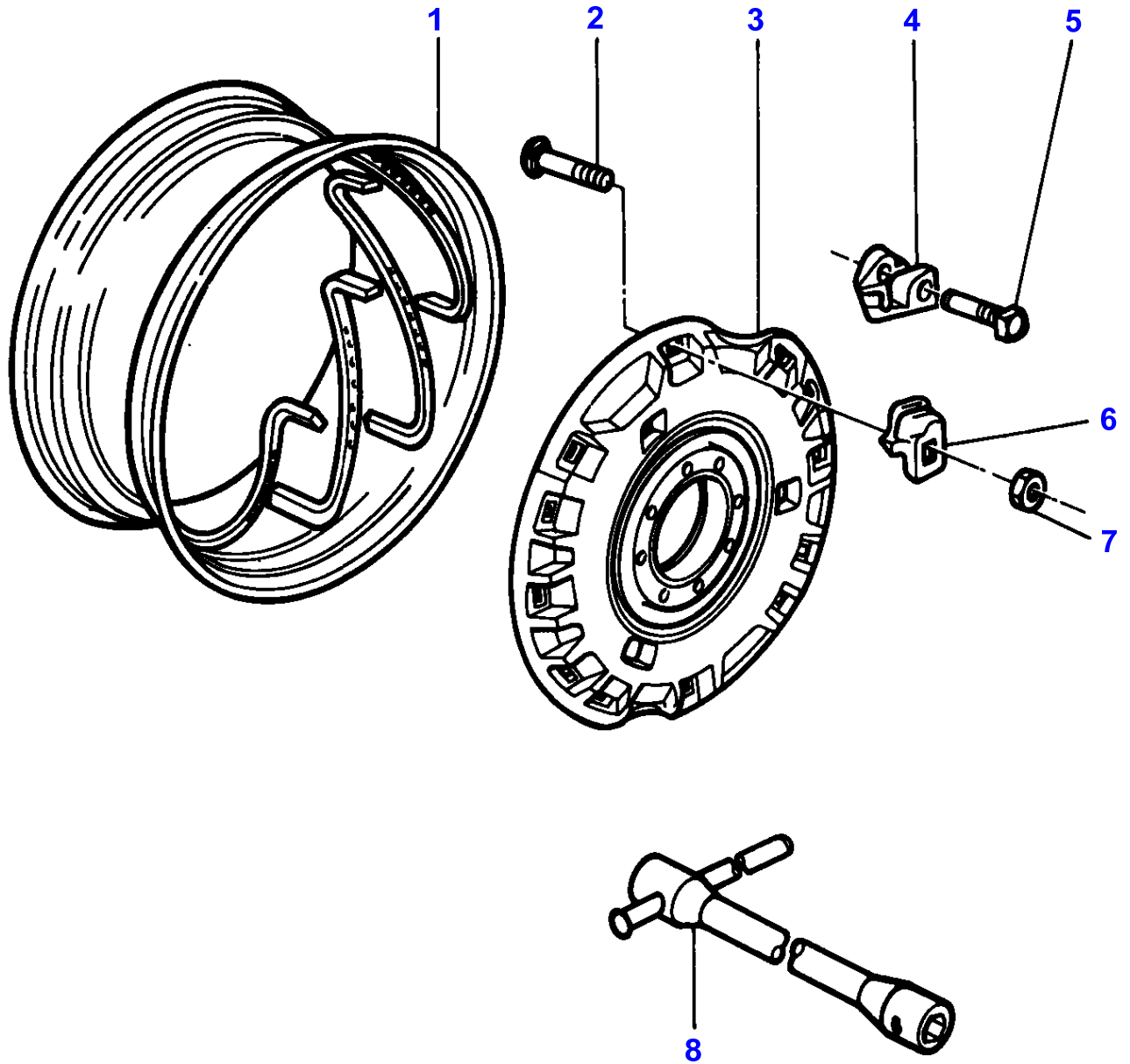
Item	Part Number	Qty	Description	Comments
1	3582851M2	1	Rim	[B] 18X42
2	1440231X1	8	Nut Metric	Diameter M16X1,5
3	338577X1	8	Washer	
4	3581788M1	1	Disc	[B]
	3583631M1	1	Flange	[B,C]
5	3384624M1	8	Screw Special	Diameter M16X1,5MM Length 125MM
				[B] SIRIA
				[C] WITH SHAFT DIAMETER 95MM

1-AM04-001



Item	Part Number	Qty	Description	Comments
				6 RAILS
1	1611314M1	2	Rim	16X38 DELACHAUX
1	3618057M92	2	Rim	SIRMAC 16X38
2	3384603M1	12	Screw	Diameter M18X1,5
3	3384618M3	2	Flange	
4	503676M1	8	Body	
5	1751403M1	8	Screw Unc	Diameter 9/16"-12
6	3615259M2	12	Bridle	
7	3384600M2	12	Nut Special	Diameter M18X1,5
8	3386406M1	1	Spanner	

1-AM04-002



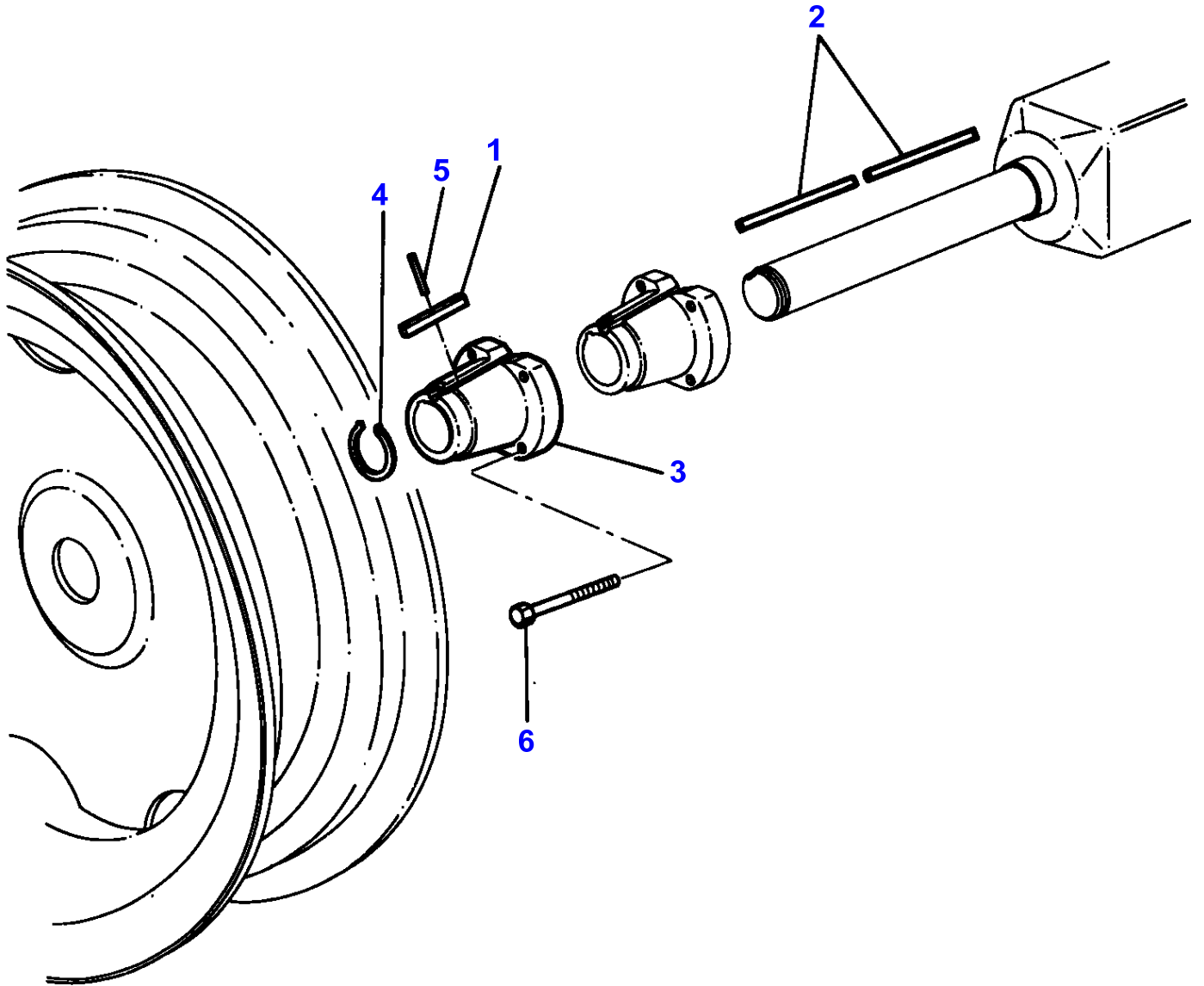
REAR WHEELS-PAVT - 8 RAILS

Item	Part Number	Qty	Description	Comments
				8 RAILS
1	1614404M2	2	Rim	16X38 SIRMAC
1	843155M2	2	Rim	18X38 SIRMAC
1	3384067M91	2	Rim	[A] 16X38
1	3384069M91	2	Rim	[A] 18X38
2	3384603M1	16	Screw	Diameter M18X1,5
3	3384618M3	2	Flange	
	3583630M2	2	Flange	[B]
4	503676M1	8	Body	
5	1751403M1	8	Screw Unc	Diameter 9/16"-12
6	3615259M2	16	Bridle	
7	3384600M2	16	Nut Special	Diameter M18X1,5
8	3386406M1	1	Spanner	

[A]
WITH DUAL WHEELS

[B]
WITH SHAFT DIAMETER 95MM

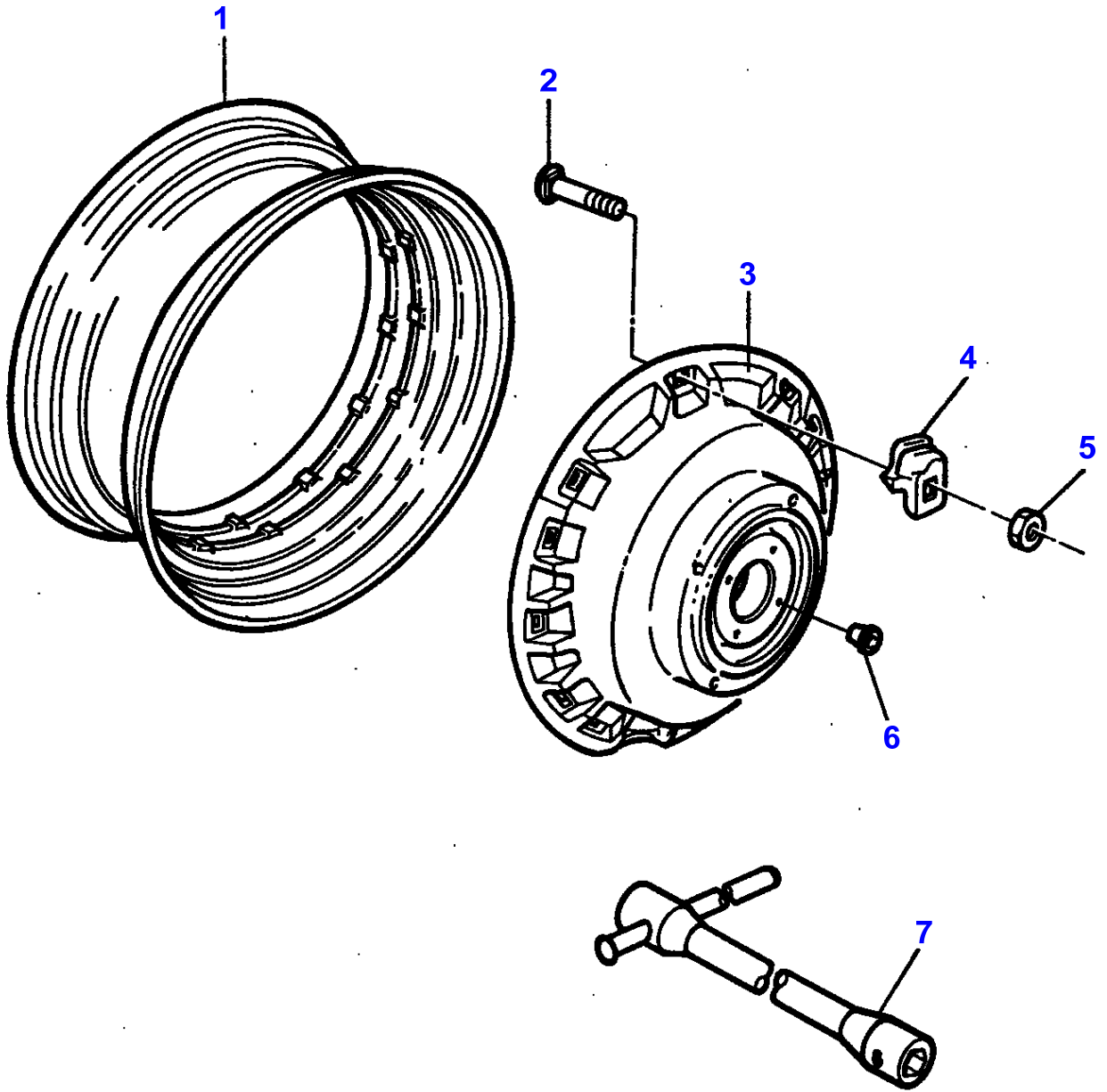
1-AM05-001



REAR WHEELS-FIXING BY CONE

Item	Part Number	Qty	Description	Comments
1	509816M2	2	Key	SINGLE WHEELS
	509816M2	4	Key	DUAL WHEELS
2	509817M2	2	Key	Diameter 82MM Q ?
	509817M2	4	Key	Diameter 82MM Q ?
	1612098M2	2	Key	Diameter 95MM Q ?
	1612098M2	4	Key	Diameter 95MM Q ?
3	509810M2	2	Hub	Diameter 82MM Q ?
	509810M2	4	Hub	Diameter 82MM Q ?
	1612096M1	1	Hub	?
	1612096M1	2	Hub	?
				Diameter 95MM
3	1612097M1	1	Hub	?
	1612097M1	2	Hub	?
				Diameter 95MM
4	363966X1	2	Ring	Diameter 82MM
	358882X1	2	Ring	Diameter 95MM
5	22807X	2	Roll Pin	Diameter 82MM Q ?
	22807X	4	Roll Pin	Diameter 82MM Q ?
	763786M1	2	Pin	Diameter 95MM Q ?
	763786M1	4	Pin	Diameter 95MM Q ?
6	511411M1	8	Screw	SINGLE WHEELS
	511411M1	16	Screw	DUAL WHEELS

1-AM05-008



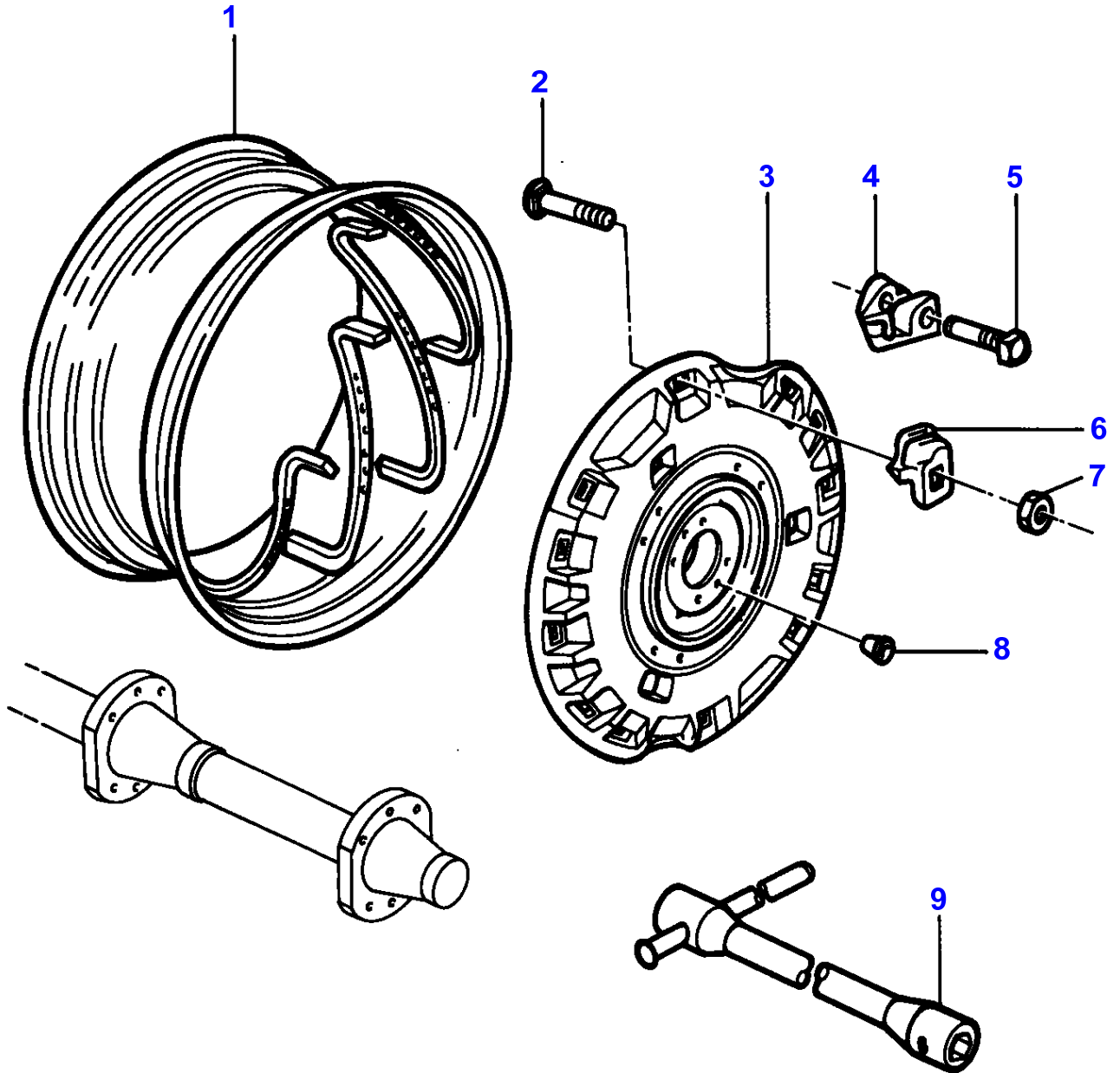
REAR WHEELS-FIXING BY CONE

Item	Part Number	Qty	Description	Comments
1	843159M2	2	Rim	18X38 Q ?
	843159M2	4	Rim	18X38 Q ?
	3045773M2	2	Rim	18X42 Q ?
	3045772M2	2	Rim	16X42 Q ?
2	3384603M1	24	Screw	Diameter M18X1,5 Q ?
	3384603M1	48	Screw	Diameter M18X1,5 Q ?
3	3582139M2	2	Flange	SINGLE WHEELS
	3582139M2	4	Flange	DUAL WHEELS
	3615930M2	2	Disc	[A,B] Q ?
	3615370M1	2	Flange	[A] Q ?
4	507773M1	24	Bridge Piece	SINGLE WHEELS
	507773M1	48	Bridge Piece	DUAL WHEELS
5	3384600M2	24	Nut Special	Diameter M18X1,5 Q ?
	3384600M2	48	Nut Special	Diameter M18X1,5 Q ?
6	831564M1	4	Plug	SINGLE WHEELS
	831564M1	8	Plug	DUAL WHEELS
7	3386406M1	1	Spanner	

[A]
WITH 60 INCH TRACK SETTING

[B]
WITH COMPOSITE REDUCER

1-AM05-004

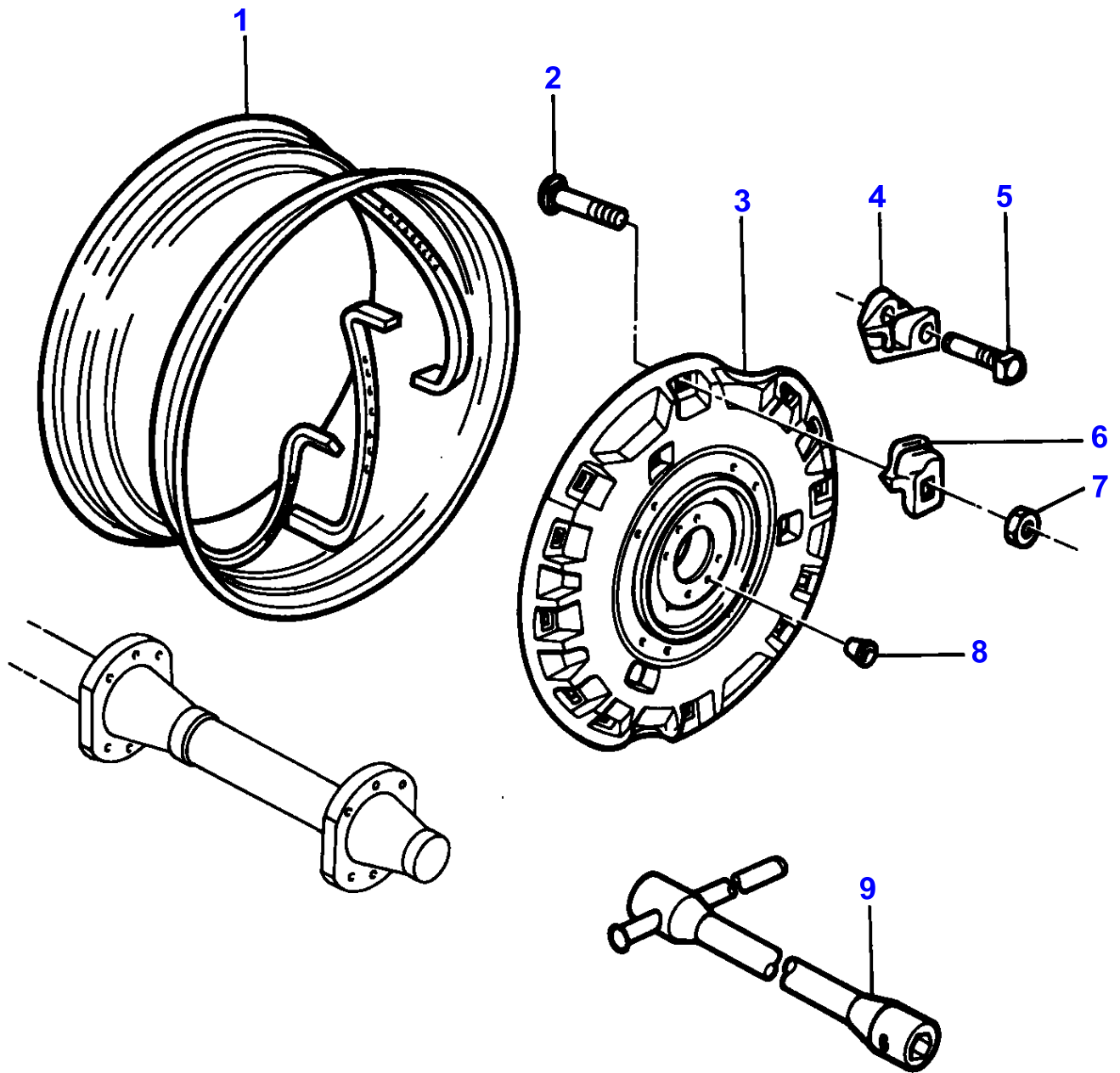


REAR WHEELS-FIXING BY CONE

Item	Part Number	Qty	Description	Comments
1	843155M2	2	Rim	[A] Q ?
	843155M2	4	Rim	[A] Q ? 18X38
1	1614404M2	2	Rim	[A] Q ?
	1614404M2	4	Rim	[A] Q ? 16X38
2	3384603M1	16	Screw	Diameter M18X1,5 Q ?
	3384603M1	32	Screw	Diameter M18X1,5 Q ?
3	3383558M3	2	Disc	SINGLE WHEELS
	3383558M3	4	Disc	DUAL WHEELS
4	503676M1	8	Body	SINGLE WHEELS
	503676M1	16	Body	DUAL WHEELS
5	1751403M1	8	Screw Unc	Diameter 9/16-12 Q ?
	1751403M1	16	Screw Unc	Diameter 9/16-12 Q ?
6	3615259M2	16	Bridle	SINGLE WHEELS
	3615259M2	32	Bridle	DUAL WHEELS
7	3384600M2	16	Nut Special	Diameter M18X1,5 Q ?
	3384600M2	32	Nut Special	Diameter M18X1,5 Q ?
8	831564M1	4	Plug	SINGLE WHEELS
	831564M1	8	Plug	DUAL WHEELS
9	3386406M1	1	Spanner	

[A]
8 RAILS

1-AM05-005

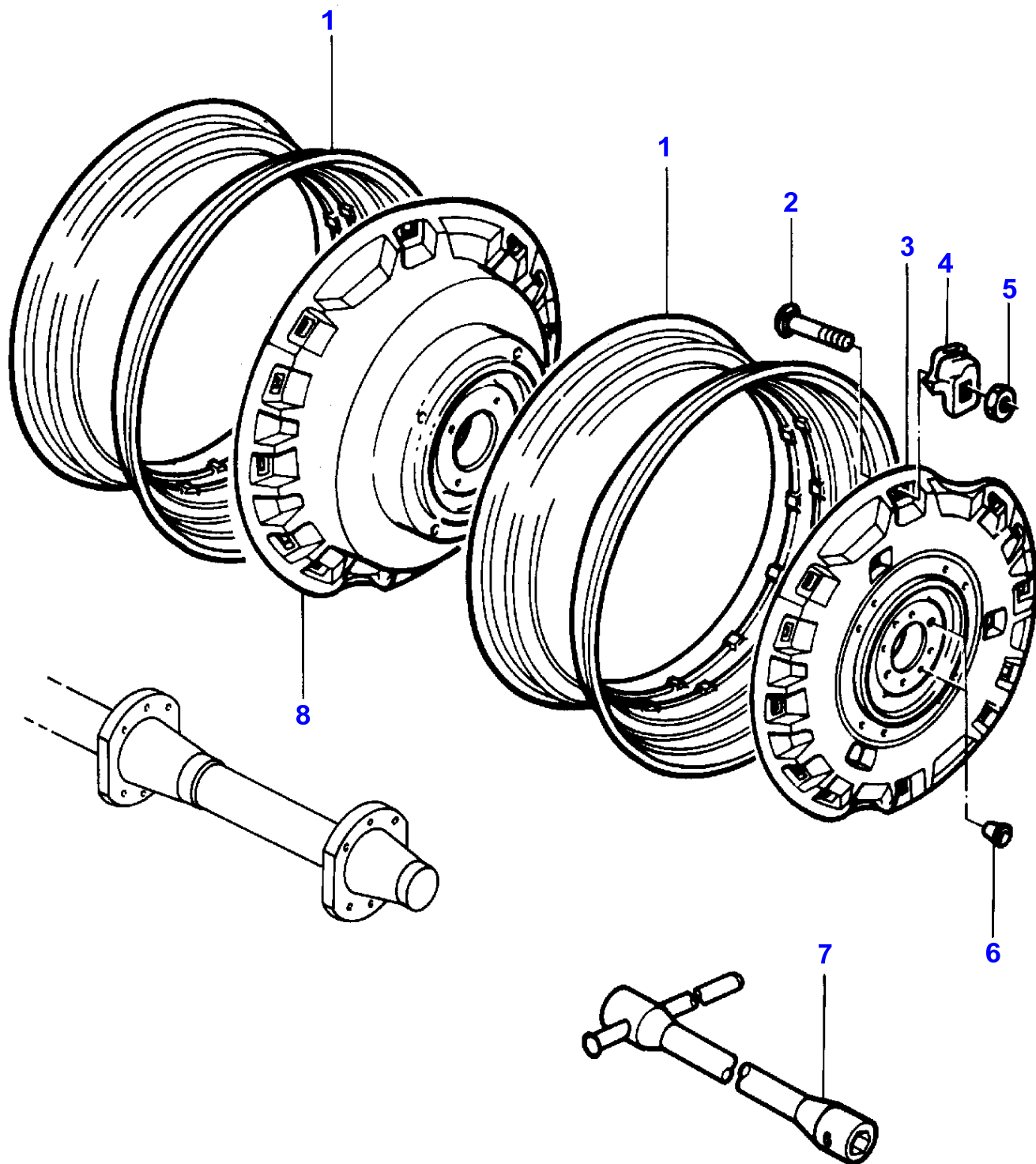


REAR WHEELS-FIXING BY CONE

Item	Part Number	Qty	Description	Comments
1	3618057M92	2	Rim	[A] Q ?
	3618057M92	4	Rim	[A] Q ? 16X38
2	3384603M1	12	Screw	Diameter M18X1,5 Q ?
	3384603M1	24	Screw	Diameter M18X1,5 Q ?
3	3383558M3	2	Disc	SINGLE WHEELS
	3383558M3	4	Disc	DUAL WHEELS
4	503676M1	8	Body	SINGLE WHEELS
	503676M1	16	Body	DUAL WHEELS
5	1751403M1	8	Screw Unc	Diameter 9/16-12 Q ?
	1751403M1	16	Screw Unc	Diameter 9/16-12 Q ?
6	3615259M2	12	Bridle	SINGLE WHEELS
	3615259M2	24	Bridle	DUAL WHEELS
7	3384600M2	12	Nut Special	Diameter M18X1,5 Q ?
	3384600M2	24	Nut Special	Diameter M18X1,5 Q ?
8	831564M1	4	Plug	SINGLE WHEELS
	831564M1	8	Plug	DUAL WHEELS
9	3386406M1	1	Spanner	

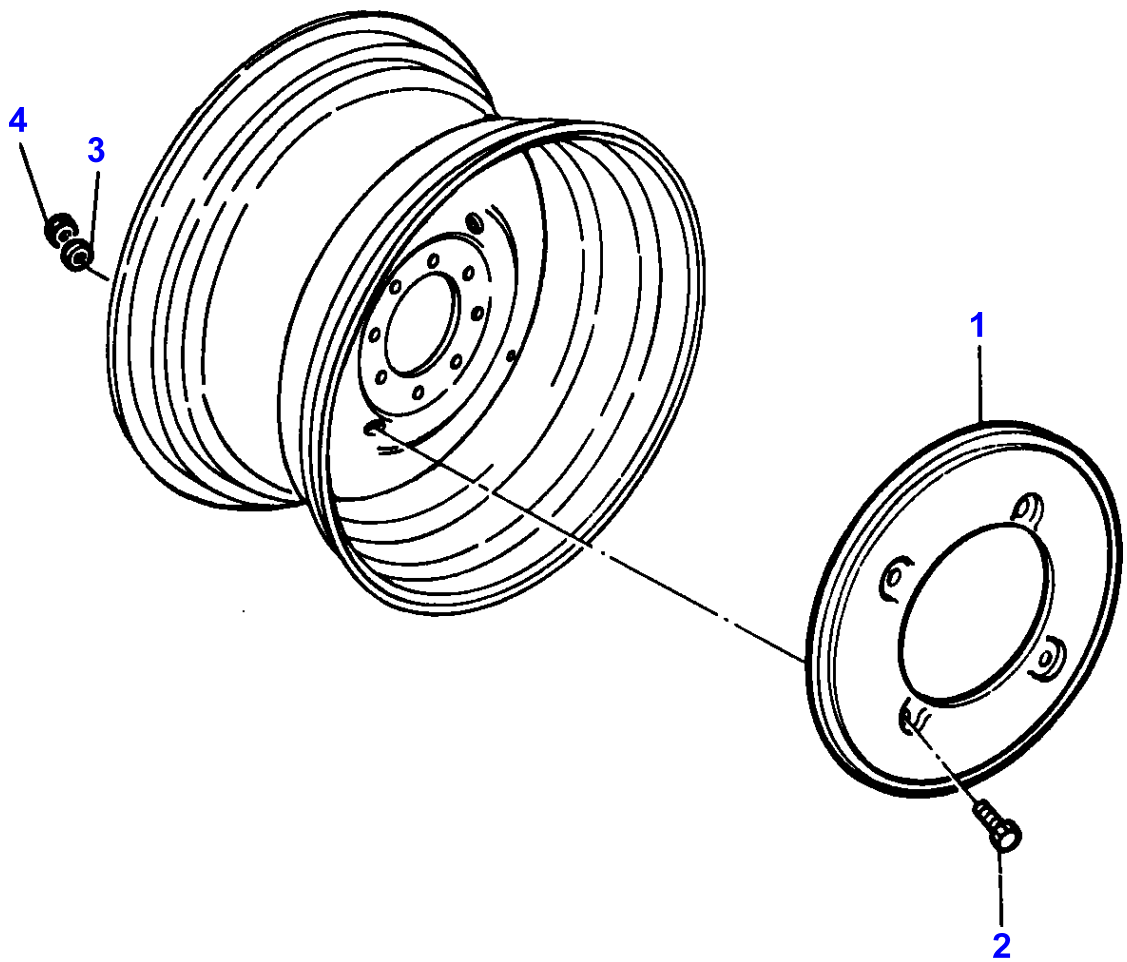
[A]
6 RAILS

1-AM05-007



Item	Part Number	Qty	Description	Comments
				WITH 60 INCH TREAD SETTING - ETAT-UNIS
1	1611305M2	4	Rim	16X38
	3045773M2	4	Rim	18X42
	843159M2	4	Rim	18X38
	3045772M2	4	Rim	16X42
2	3384603M1	48	Screw	Diameter M18X95
3	3582139M2	2	Flange	38"
4	507773M1	48	Bridge Piece	
5	3384600M2	48	Nut Special	Diameter M18
6	831564M1	8	Plug	
7	3386406M1	1	Spanner	
8	3615370M1	2	Flange	38"

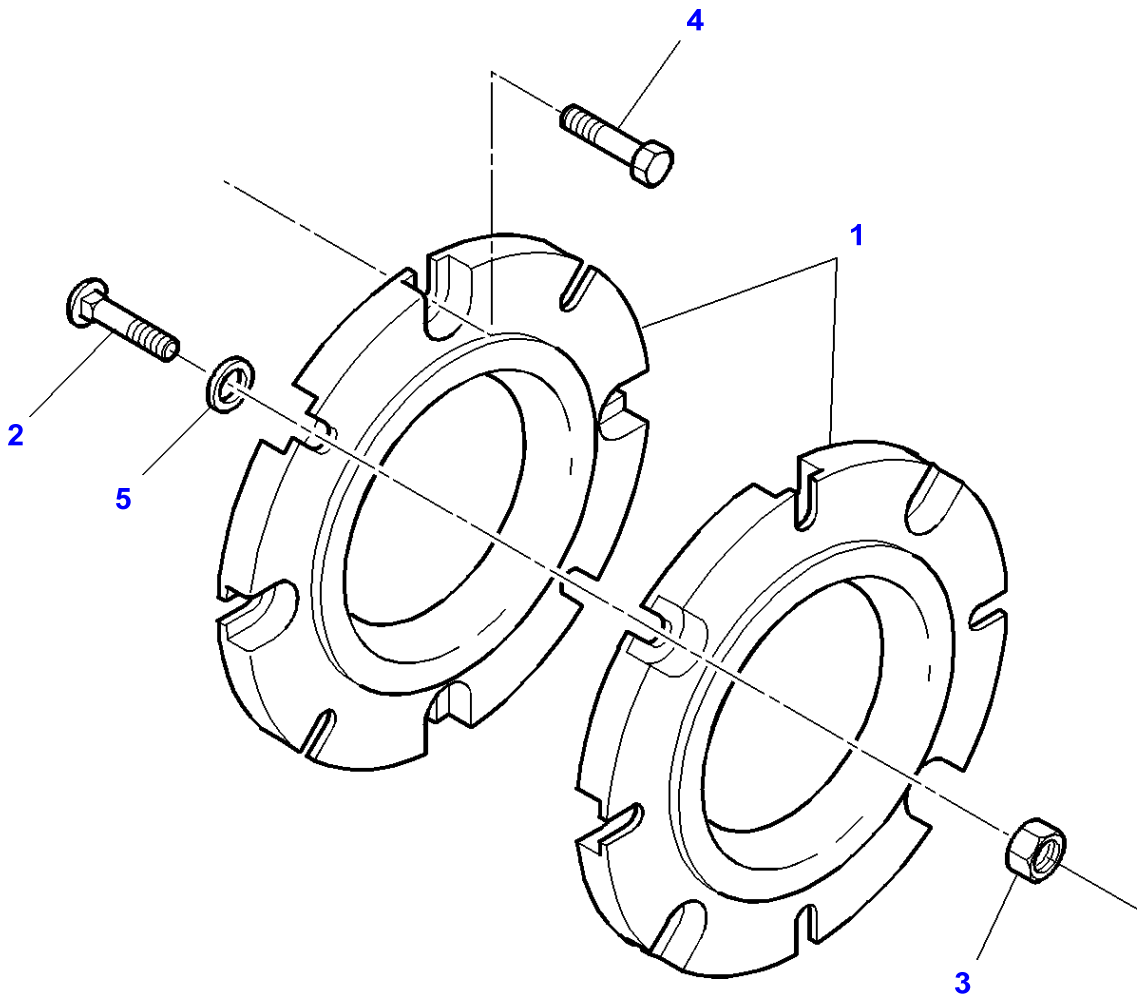
1-AX10-001



WEIGHTS-REAR WHEELS

Item	Part Number	Qty	Description	Comments
1	1865795M2	2	Weight	
2	339881X1	8	Bolt Metric	Diameter M16 Length 60MM
3	353774X1	8	Washer	
4	339034X1	8	Nut Metric	Diameter M16

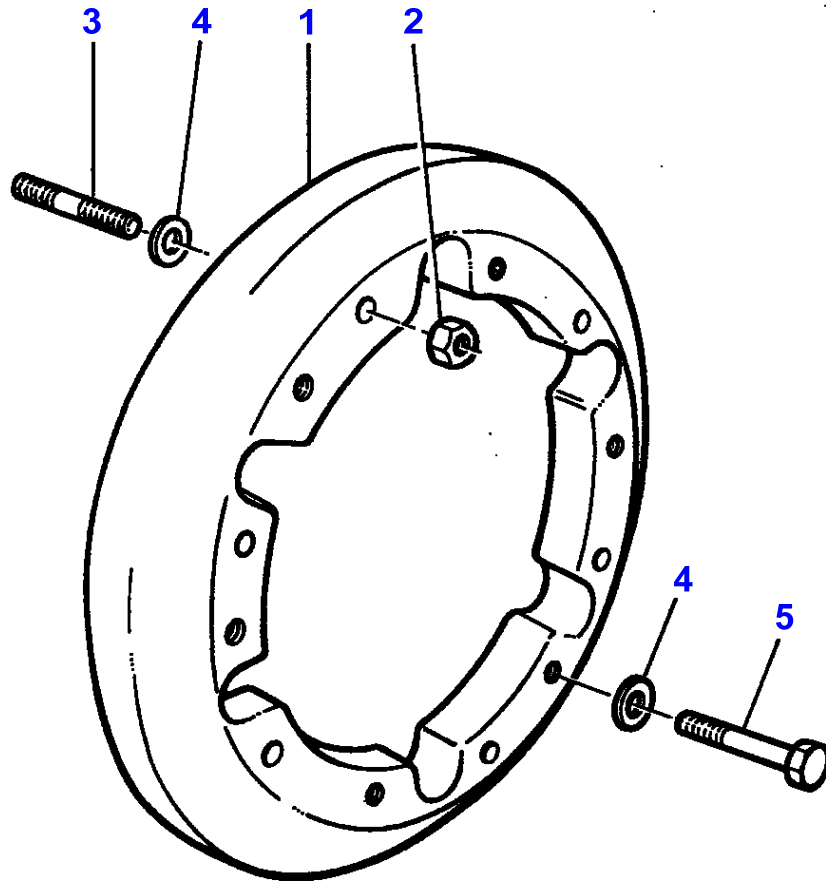
1-AX10-009



MASSEY FERGUSON**MF 3690 TRACTOR - 1637223****1637223****WEIGHTS-REAR WHEELS - FROM NO C340006****122**

Item	Part Number	Qty	Description	Comments
				FROM NO C340006
1	185730M1	X	Weight	
2	363503X1	X	Bolt Unc	5/8-11X38
3	375099X1	X	Nut Unc	5/8UNC
4	353727X1	X	Screw Unc	5/8.11
5	353774X1	X	Washer	5/8

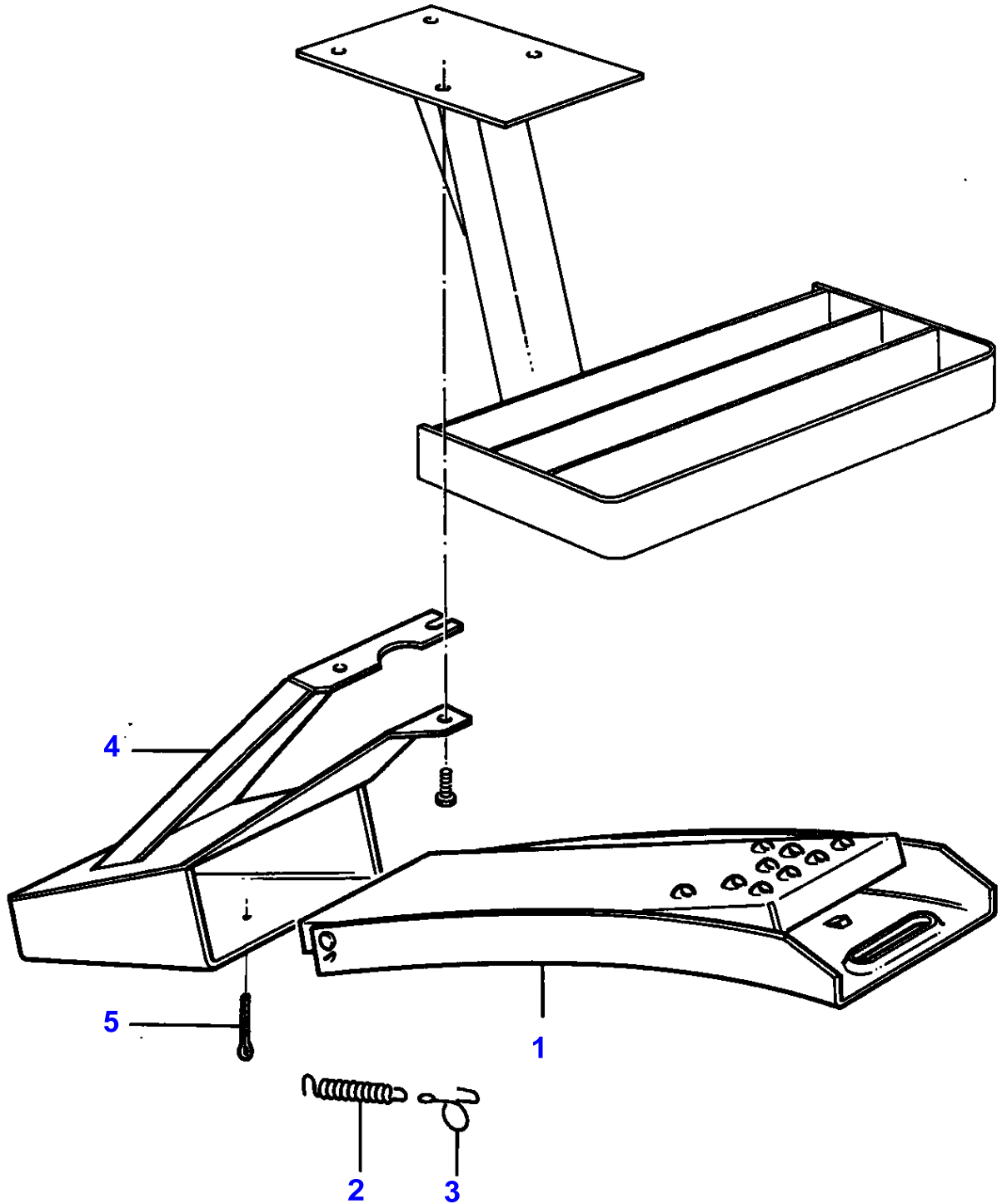
1 - AX17 - 005



WHEEL WEIGHTS

Item	Part Number	Qty	Description	Comments
1	3712626M1	X	Weight	53KG Up to Serial or Engine Number 01/95
1	3712626M1	X	Weight	53 KG From Serial or Engine Number 01/95
2	339034X1	X	Nut Metric	
3	3386466M1	X	Stud	M16X65
4	353774X1	X	Washer	Up to Serial or Engine Number 01/95
	3019575X1	X	Washer Metric	M16 From Serial or Engine Number 01/95
5	390864X1	X	Bolt Metric	M16X80 Up to Serial or Engine Number 01/95
5	339805X1	X	Bolt Metric	M6X100 From Serial or Engine Number 01/95

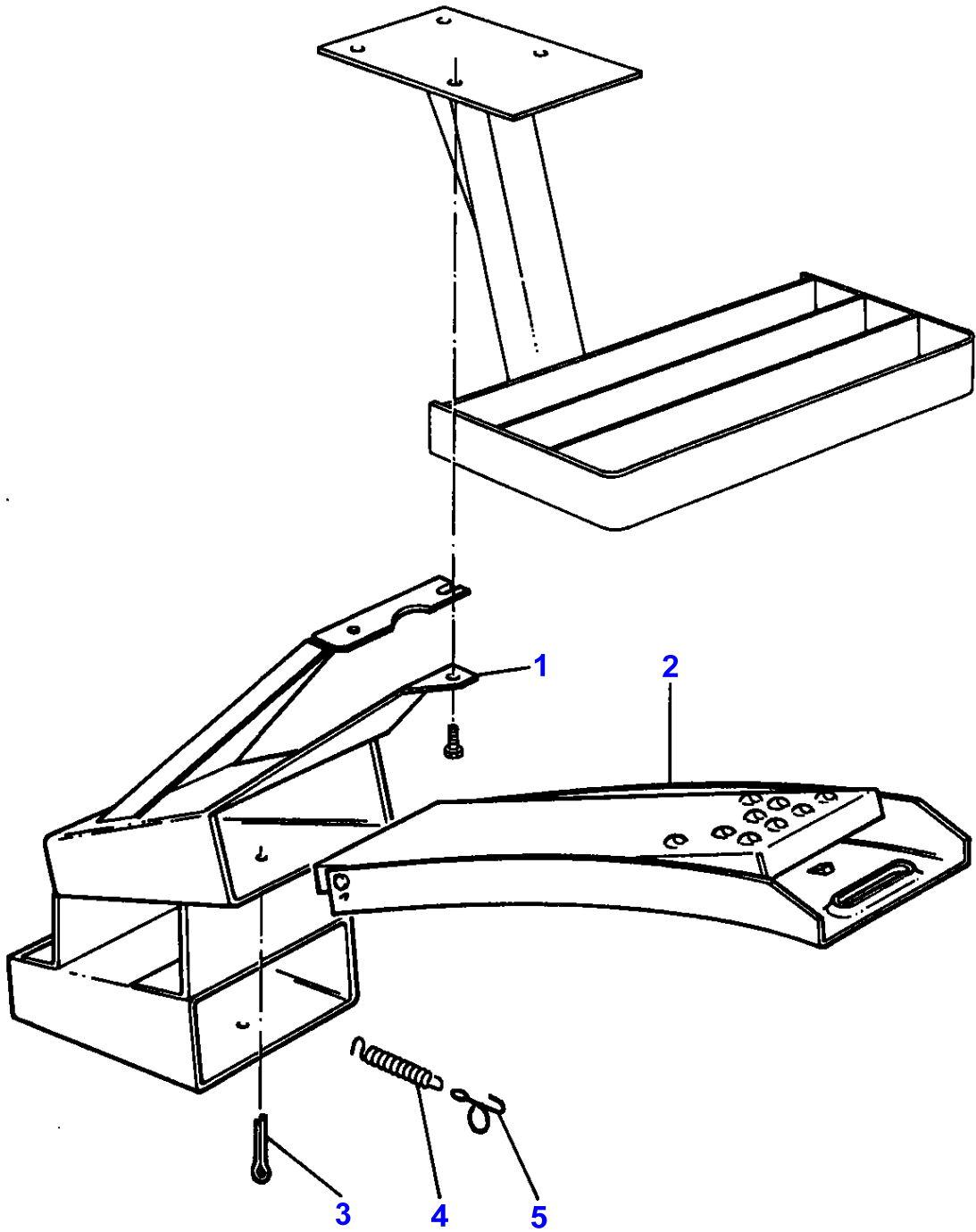
1-AX37-006



MASSEY FERGUSON**MF 3690 TRACTOR - 1637223****1637223****WHEEL WEDGES - UP TO NO A030023****124**

Item	Part Number	Qty	Description	Comments
				UP TO NO A030023
1	3042422M1	2	Chock	
2	322980M2	2	Spring	
3	322979M2	2	Hook	
4	3615860M91	1	Support	Right Hand
	3615859M91	1	Support	Left Hand
5	1442034X1	2	Pin	
	354059X1	2	Pin	3X25

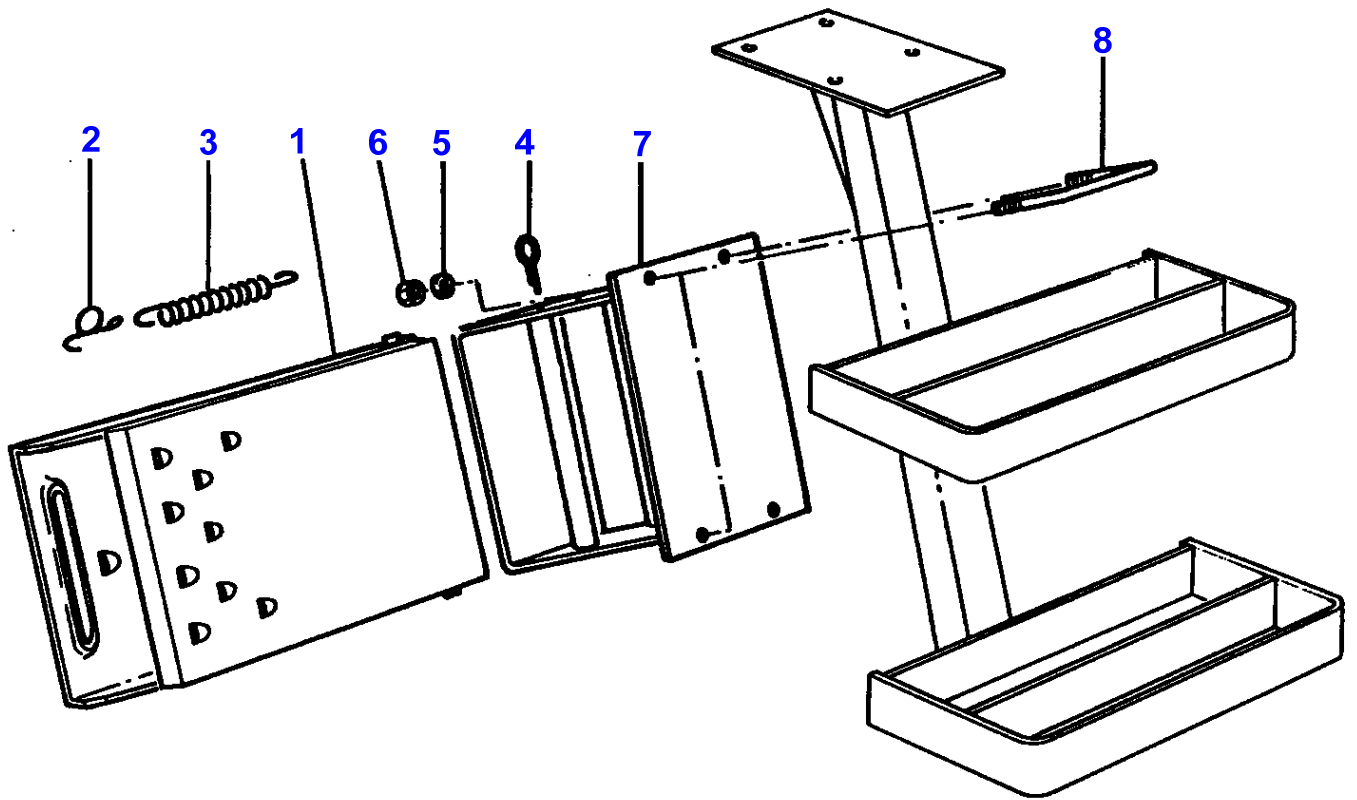
1-AX37-005



MASSEY FERGUSON**MF 3690 TRACTOR - 1637223****1637223****WHEEL WEDGES - UP TO NO A030023****125**

Item	Part Number	Qty	Description	Comments
				UP TO NO A030023
1	3616059M91	1	Support	[A] Right Hand
2	3042422M1	2	Chock	
3	1442034X1	2	Pin	
	354059X1	2	Pin	3X25
4	322980M2	2	Spring	
5	322979M2	2	Hook	
				[A] WITH ADDITIONAL FUEL TANK

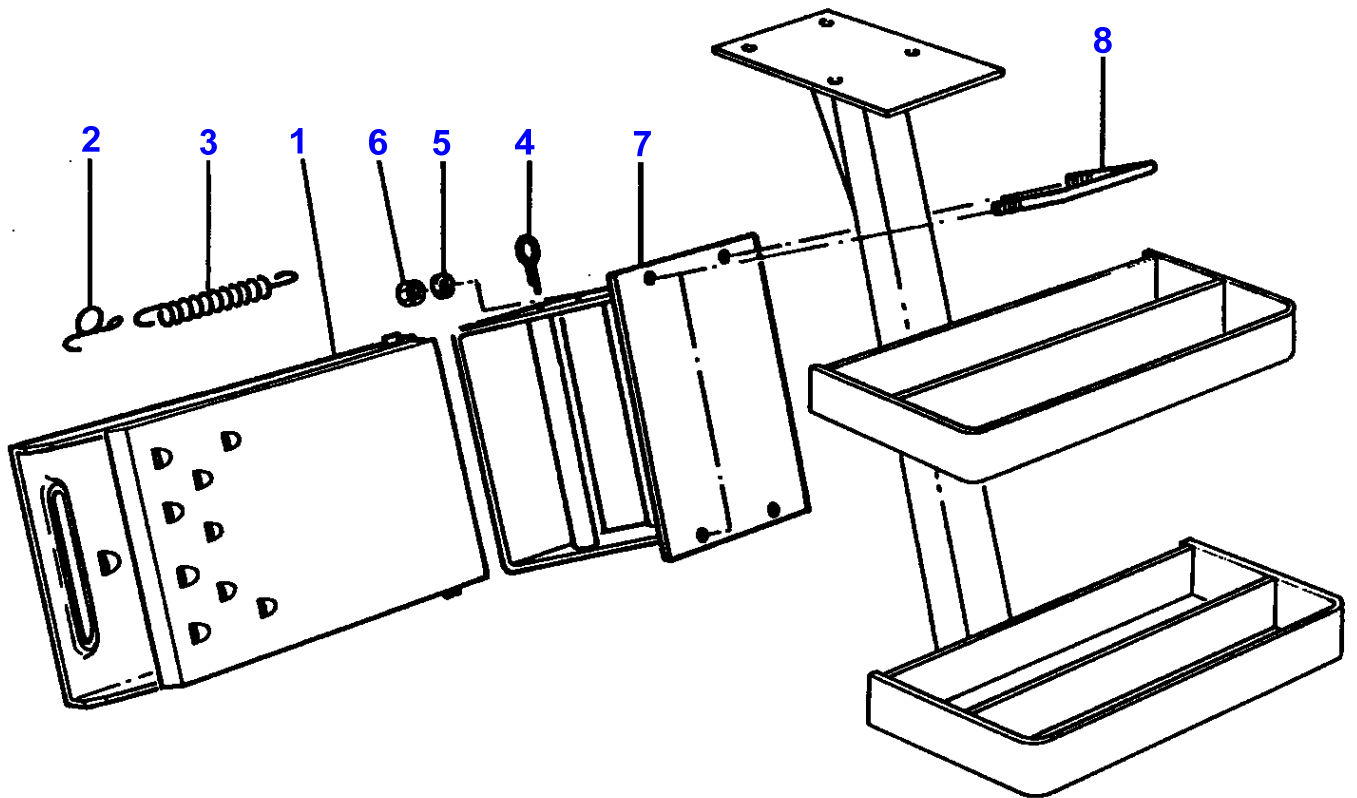
1-AX37-007



MASSEY FERGUSON**MF 3690 TRACTOR - 1637223****1637223****WHEEL WEDGES - FROM NO A030024 WITHOUT DYNASHIFT - UP TO NO B249027****126**

Item	Part Number	Qty	Description	Comments
				FROM NO A030024 WITHOUT DYNASHIFT - UP TO NO B249027
1	3042422M1	2	Chock	
2	322979M2	2	Hook	
3	322980M2	2	Spring	
4	1442034X1	2	Pin	
	354059X1	2	Pin	3X25
5	390971X1	4	Washer Metric	
6	339030X1	4	Nut Metric	
7	3617913M1	1	Support	
8	3617917M1	2	Stirrup	

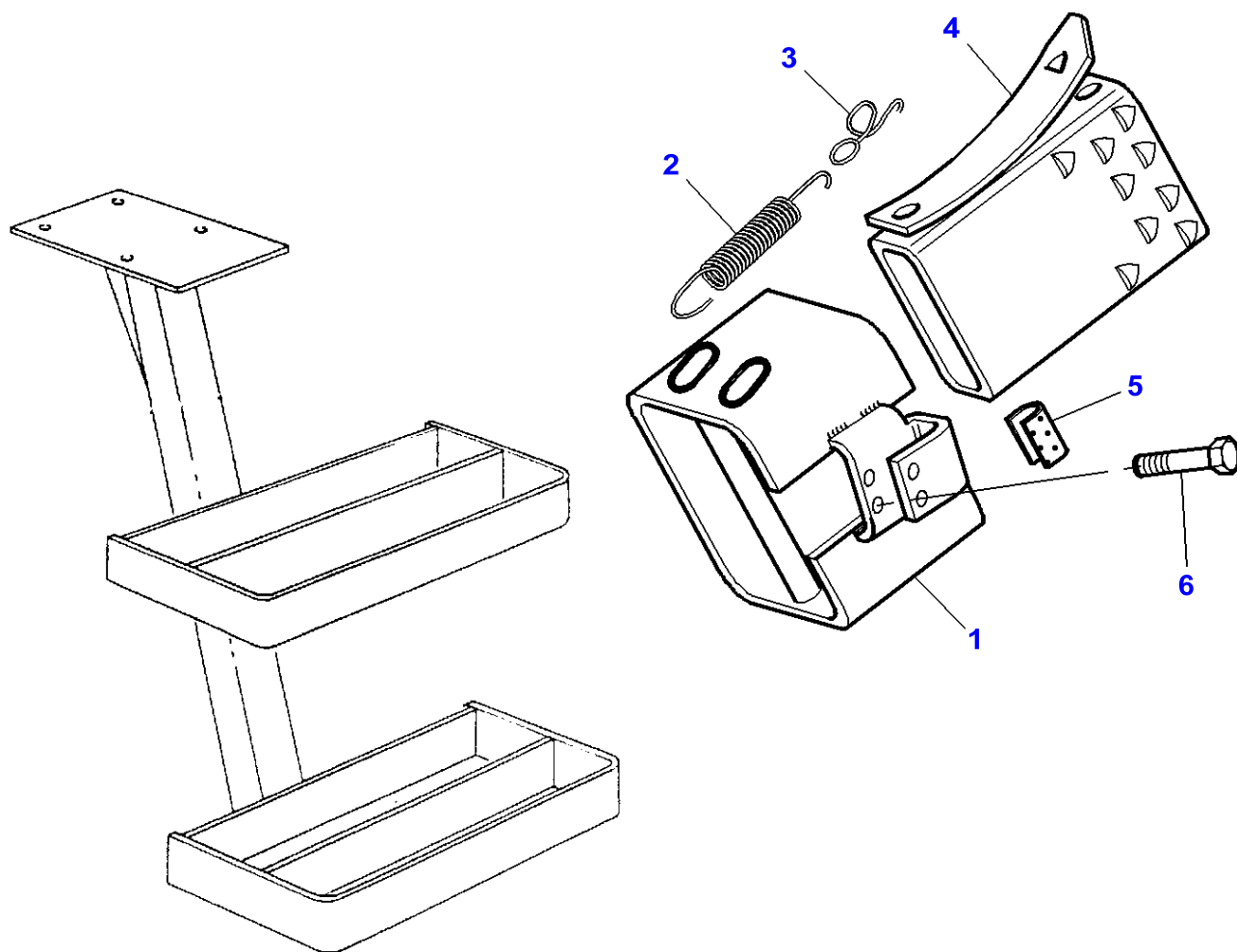
1-AX37-007



MASSEY FERGUSON**MF 3690 TRACTOR - 1637223****1637223****WHEEL WEDGES - WITH DYNASHIFT UP TO NO B249027****127**

Item	Part Number	Qty	Description	Comments
				WITH DYNASHIFT UP TO NO B249027
1	3042422M1	2	Chock	
2	322979M2	2	Hook	
3	322980M2	2	Spring	
4	1442034X1	2	Pin	
	354059X1	2	Pin	3X25
5	390971X1	4	Washer Metric	
6	339030X1	4	Nut Metric	
7	3617913M1	1	Support	
8	3617917M1	2	Stirrup	

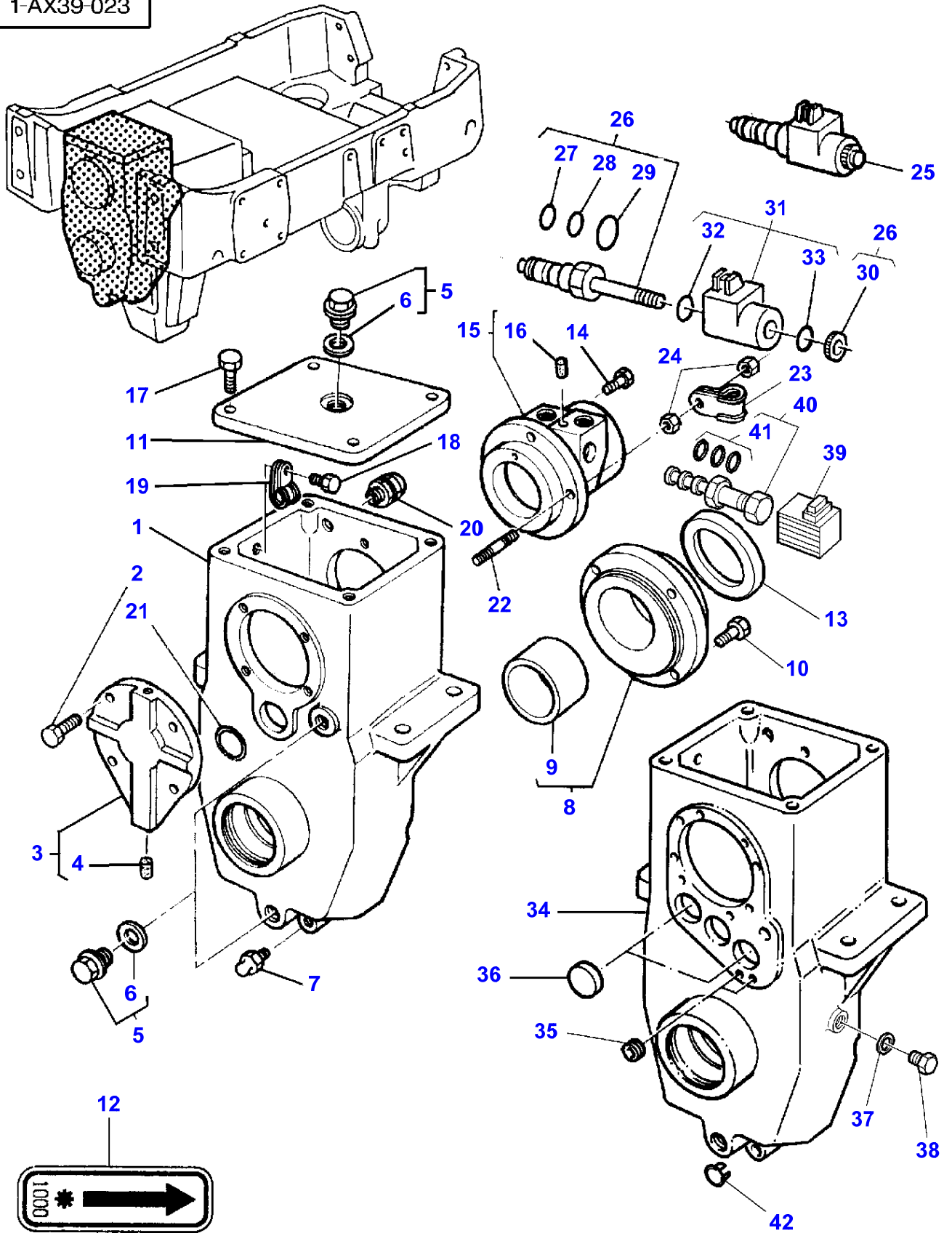
1-AX37-008



MASSEY FERGUSON**MF 3690 TRACTOR - 1637223****1637223****WHEEL WEDGES - FROM NO B249028****128**

Item	Part Number	Qty	Description	Comments
				FROM NO B249028
1	3619075M1	1	Support	
2	322980M2	2	Spring	
3	322979M2	2	Hook	
4	3042422M1	2	Chock	
5	3619191M1	2	Gasket	Length 42MM
6	1440922X1	2	Bolt	M6X60

1-AX39-023



FRONT PTO-HOUSING - CLOCK WISE DRIVE FRONT PTO

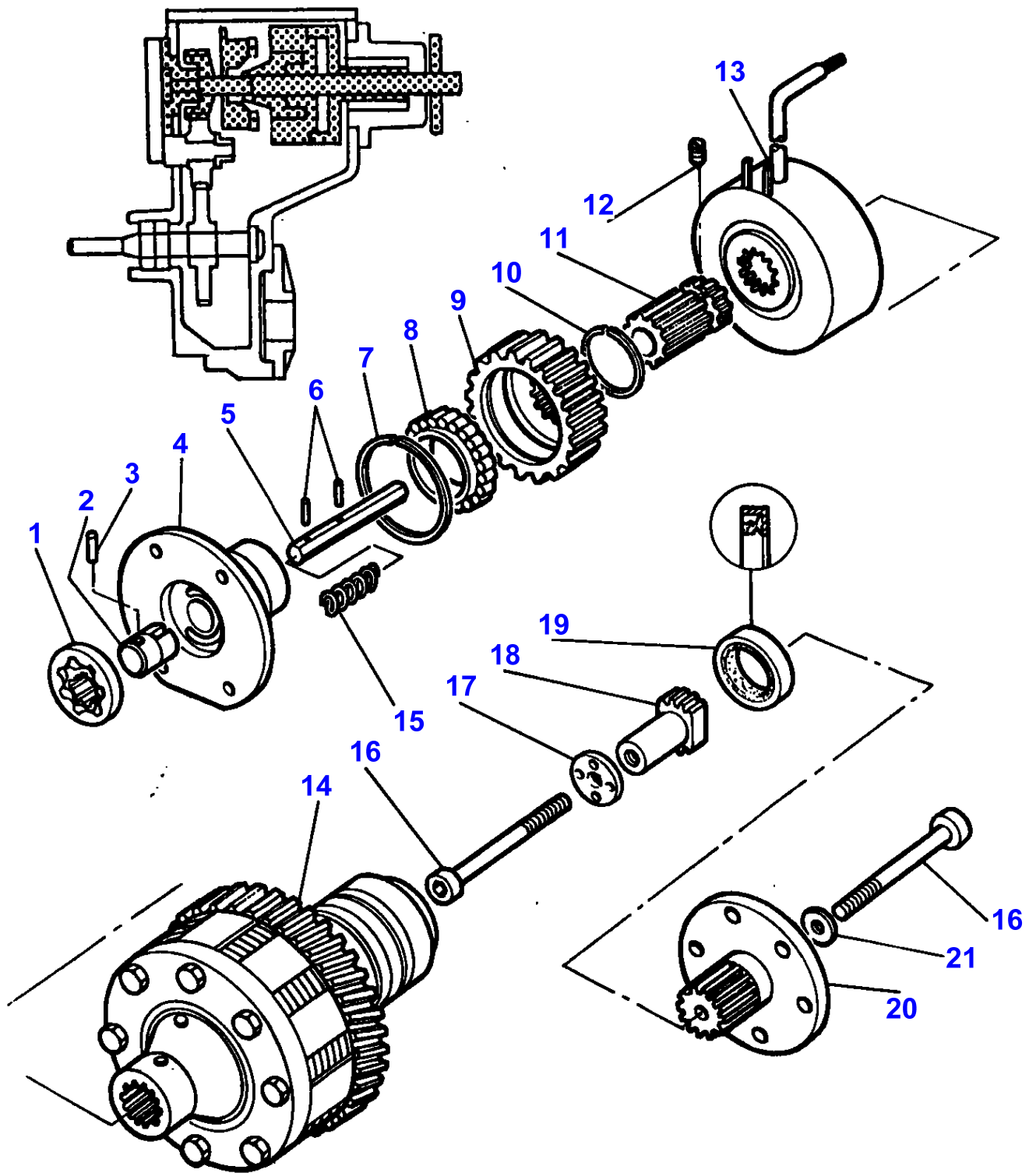
Item	Part Number	Qty	Description	Comments
				CLOCK WISE DRIVE FRONT PTO
1	3389331M2	1	Case Assy	Up to Serial or Engine Number S322039
2	339761X1	4	Screw Metric	
3	3581124M11	1	Cover	3581124M91
4	3581130M1	1	Plug	(3)
5	3583993M1	3	Plug	
6	3019397X1	3	O Ring	(5)
7	339608X1	1	Grease Nipple	
8	3389340M92	1	Bearing Carrier	Two Wheel Drive
	3389342M93	1	Bearing Carrier	[B] Four Wheel Drive
9	3387822M1	1	Bearing	(8) Two Wheel Drive
9	3387823M1	1	Bearing	(8) Four Wheel Drive
9	3712078M1	1	Bearing	(8) Up to Serial or Engine Number C278048 Four Wheel Drive
10	339299X1	4	Screw Metric	From Serial or Engine Number C278049 M12X30
11	3389345M3	1	Cover	
12	3618157M1	1	Decal	
13	3712081M1	1	Cup	Four Wheel Drive From Serial or Engine Number C278049
14	339123X1	2	Screw Metric	
15	3581116M11	1	Bearing Carrier	3581116M91
16	3388063M1	1	Plug	(15)
17	339761X1	4	Screw Metric	
18	391074X1	1	Screw Metric	
19	369779X1	1	Clamp	
20	3389615M1	1	Gland	
21	195562M1	1	O Ring	
22	3386903M1	2	Stud	
23	3581424M1	2	Clamp	
24	339169X1	4	Nut Metric	
25		1	Electrovalve	[C] Not serviced, order REF 26ET31
26	3616588M1	1	Spool	Up to Serial or Engine Number B326009
27	3104856M1	1	O Ring	(26) Up to Serial or Engine Number B326009
28	3104855M1	1	O Ring	(26) Up to Serial or Engine Number B326009
29	1852568M1	1	O Ring	(26) Up to Serial or Engine Number B326009
30	3105498M1	1	Nut	(26) Up to Serial or Engine Number B326009
31	3616589M1	1	Solenoid	[C] Up to Serial or Engine Number A335020
31	3616586M1	1	Solenoid	[A,C,D] From Serial or Engine Number A335021 Up to Serial or Engine Number B326009
32	3105500M1	1	O Ring	(31) Up to Serial or Engine Number B326009
33	3105499M1	1	O Ring	(31) Up to Serial or Engine Number B326009
34	3615609M2	1	Case Assy	From Serial or Engine Number S322040
35	3005636X1	2	Plug	From Serial or Engine Number S322040
36	3713445M1	2	Plug	From Serial or Engine Number S322040
37	390202X1	1	Seal	
38	339494X1	1	Plug	
39	3619764M1	1	Solenoid	[C] From Serial or Engine Number B326010
40	3619762M1	1	Spool	From Serial or Engine Number B326010
41	3900994M91	1	Kit, Joint	(40) From Serial or Engine Number B326010
42	3615257M1	1	Eyelet	Four Wheel Drive From Serial or Engine Number C278049

[A]

MASSEY FERGUSON**MF 3690 TRACTOR - 1637223****1637223****FRONT PTO-HOUSING - CLOCK WISE DRIVE FRONT PTO****129**

Item	Part Number	Qty	Description	Comments
				NEW CONNECTION
				[B] WITH TURNING ANGLE OF 50 DEGREE
				[C] INCLUDING A DIODE
				[D] EXCEPT TRACTOR NO A336004

1-AX38-005



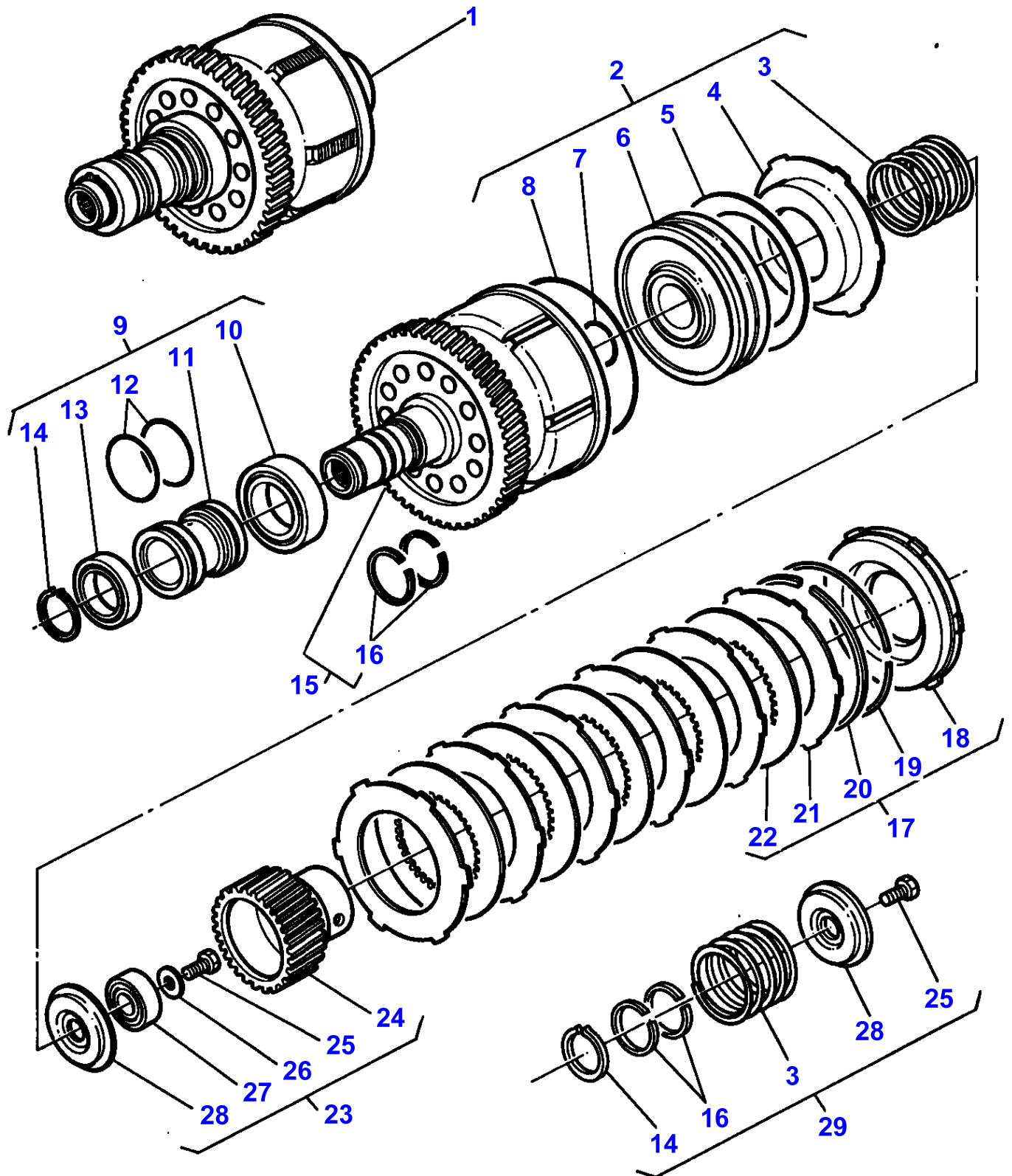
FRONT PTO-DRIVE - CLOCK WISE DRIVE FRONT PTO

Item	Part Number	Qty	Description	Comments
				CLOCK WISE DRIVE FRONT PTO
1	274797M1	1	Rotor	
2	3389604M1	1	Hub	
3	338334X1	1	Pin	
4	3389335M2	1	Hub Carrier	Up to Serial or Engine Number S322039
	3615601M1	1	Hub Carrier	From Serial or Engine Number S322040
5	3389348M1	1	Clevis Pin	[B]
	3617323M1	1	Clevis Pin	[A]
6	3006442X1	2	Pin	Up to Serial or Engine Number D352999
	3010612X1	2	Needle	From Serial or Engine Number D353000
7	1442502X1	1	Circlip	
8	3580985M1	1	Bearing Assy	
9	3389332M2	1	Pinion	Number of teeth/spines 25
10	3389610M1	X	Chock	Thickness 0,25 MM
	3389611M1	X	Chock	Thickness 0,50 MM
	3389612M1	X	Chock	Thickness 1 MM
11	3389347M2	1	Shaft	
12	3009711X1	1	Screw	
13	3389631M91	1	Brake	
14	3389607M1	1	Clutch	[B] See Page - Reference Number 131/
14	3616071M91	1	Clutch	[A] See Page - Reference Number 138/ Up to Serial or Engine Number C117028
14	3712748M91	1	Clutch	[A] See Page - Reference Number 138/ From Serial or Engine Number C117029 Up to Serial or Engine Number D125026
14	3714535M11	1	Clutch	[A] From Serial or Engine Number D125027 3714535M91
15	3389605M1	1	Spring	
16	3389349M1	2	Screw Special	
17	3389603M1	1	Washer	
18	3389606M1	1	Nut Special	[B]
	3617321M1	1	Nut Special	[A]
19	3389614M1	1	Gasket	
20	3389861M91	1	Shaft	
21	391376X1	1	Joint	

[A]
CLUTCH 3 DISCS

[B]
CLUTCH 5 DISCS

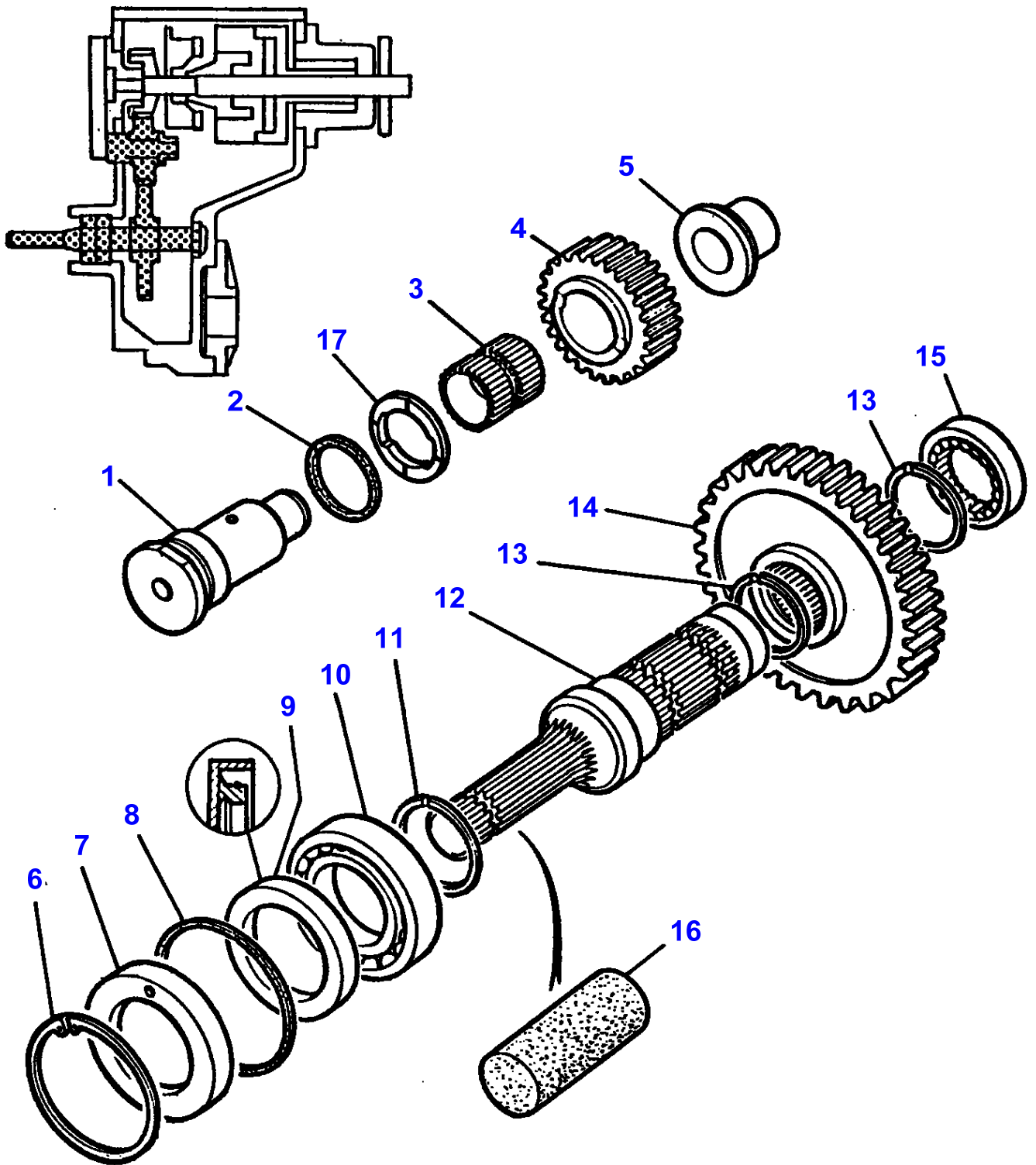
I-1081-310



INDEPENDANT POWER TAKE OFF CLUTCH - CLOCK WISE DRIVE FRONT PTO

Item	Part Number	Qty	Description	Comments
				CLOCK WISE DRIVE FRONT PTO
1	3389607M1	1	Clutch	
2	3310953M92	1	Parts Pack	(1)
3		1	Spring	(2)
				Not serviced, order REF No 2
4		1	Retainer	(2)
				Not serviced, order REF No 2
5		1	Spring	(2)
				Not serviced, order REF No 2
6		1	Piston	(2)
				Not serviced, order REF No 2
7	1442483X1	1	O Ring	(2)
8	1442611X1	1	O Ring	(2)
9	3310947M91	1	Parts Pack	(1)
10	1440825X1	1	Bear. 6009	(9)
11		1	Sleeve	(9)
				Not serviced, order REF No 9
12	378230X1	2	O Ring	(9)
13	390985X1	1	Bear. 6008	(9)
14	391832X1	1	Circlip	(9)
15	3310949M91	1	Case Assy	(1)
16	3310967M1	2	Segment	(15)
17	3310958M91	1	Parts Pack	(1)
18		1	Cover	(17)
				Not serviced, order REF No 17
19	3310961M1	1	Segment	(17)
20	3310962M1	1	Segment	(17)
21		X	Chock	(17)
				Not serviced, order REF No 17
22		X	Chock	(17)
				Not serviced, order REF No 17
23	3311412M91	1	Pinion	(1)
24		1	Pinion	(23)
				Not serviced, order REF No 23
25		1	Screw	(23)
				Not serviced, order REF No 23
26	1440287X1	1	Washer Metric	(23)
27	1440488X1	1	Bear. 6204	(23)
28		1	Race	(23)
				Not serviced, order REF No 23
29	3311372M91	1	Parts Pack	(1)

1-AX38-015

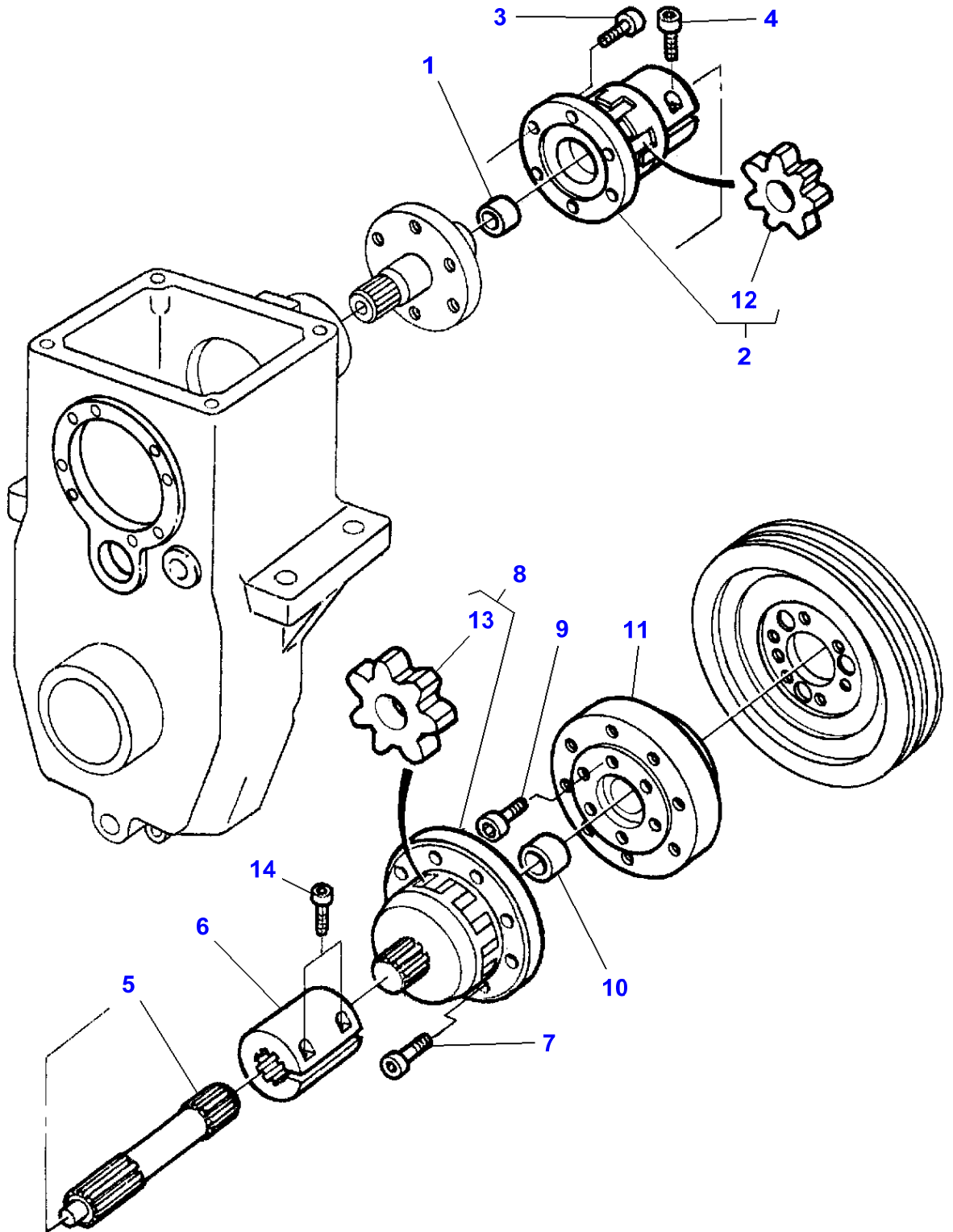


FRONT PTO-DRIVE - CLOCK WISE DRIVE FRONT PTO

Item	Part Number	Qty	Description	Comments
				CLOCK WISE DRIVE FRONT PTO
1	3389334M1	1	Clevis Pin	Up to Serial or Engine Number S322039
	3615603M2	1	Clevis Pin	From Serial or Engine Number S322040
2	364281X1	1	O Ring	Up to Serial or Engine Number S322039
	378201X1	1	O Ring	From Serial or Engine Number S322040
3	3389599M1	1	Needle Cage	
4	3389333M1	1	Pinion	Number of teeth/spines 25
5	3389346M1	1	Bush	
6	1440516X1	1	Circlip	
7	3389339M2	1	Sealing Holder	
8	842332M1	1	Gasket	
9	3389613M2	1	Seal	
10	391261X1	1	Bear. 6011	
11	377602X1	1	Circlip	
12	3617117M1	1	Shaft	Number of teeth/spines 6
13	3386987M1	2	Circlip	
14	3389337M1	1	Pinion	Number of teeth/spines 51
15	3387381M1	1	Bearing Assy	
16	3038717M1	1	Protector	[A]
17	3615602M1	1	Washer	From Serial or Engine Number S322040

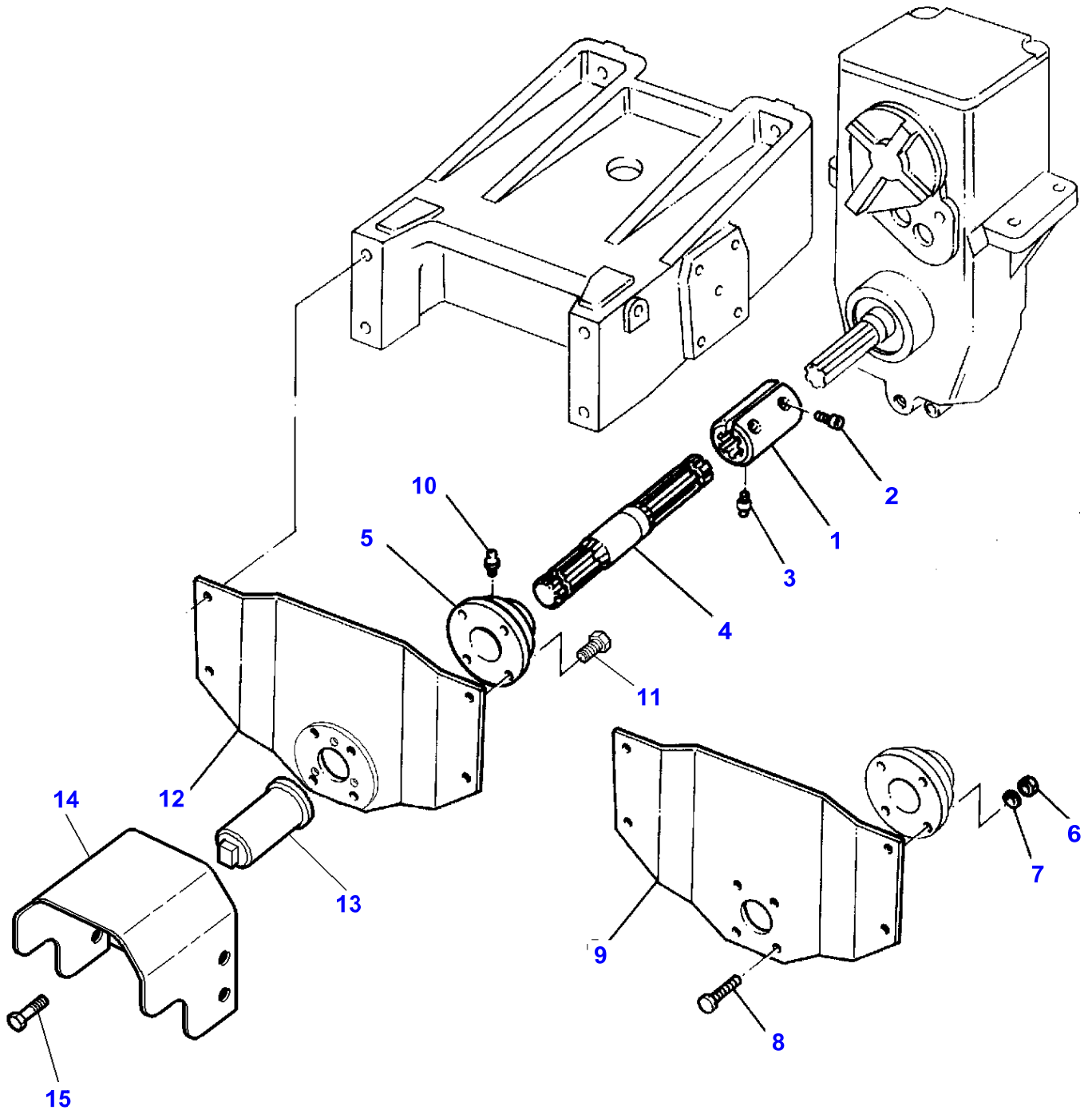
[A]
PLASTICS

1-AX38-027



Item	Part Number	Qty	Description	Comments
				CLOCK WISE DRIVE FRONT PTO
1	3389791M1	1	Bush	
2	3389825M1	1	Coupler	
3	1440350X1	6	Screw Metric	
4	1440349X1	1	Screw Metric	M8X30
5	3617283M1	1	Shaft	Length 150MM
6	3389783M1	1	Sleeve	Up to Serial or Engine Number C242036
	3619929M1	1	Sleeve	From Serial or Engine Number C242037
7	391989X1	8	Screw Metric	M8X20
8	3580604M91	1	Coupler	
9	3004715X1	6	Screw	M8X60
10	3389766M1	1	Bush	
11	3617282M1	1	Hub	
12	3467932M1	1	Shock Absorber	(2)
13	3467933M1	1	Shock Absorber	(8)
14	1440349X1	2	Screw Metric	M8X30
				Up to Serial or Engine Number C242036
14	3010238X1	2	Screw	M10X40
				From Serial or Engine Number C242037

1-AX38-023

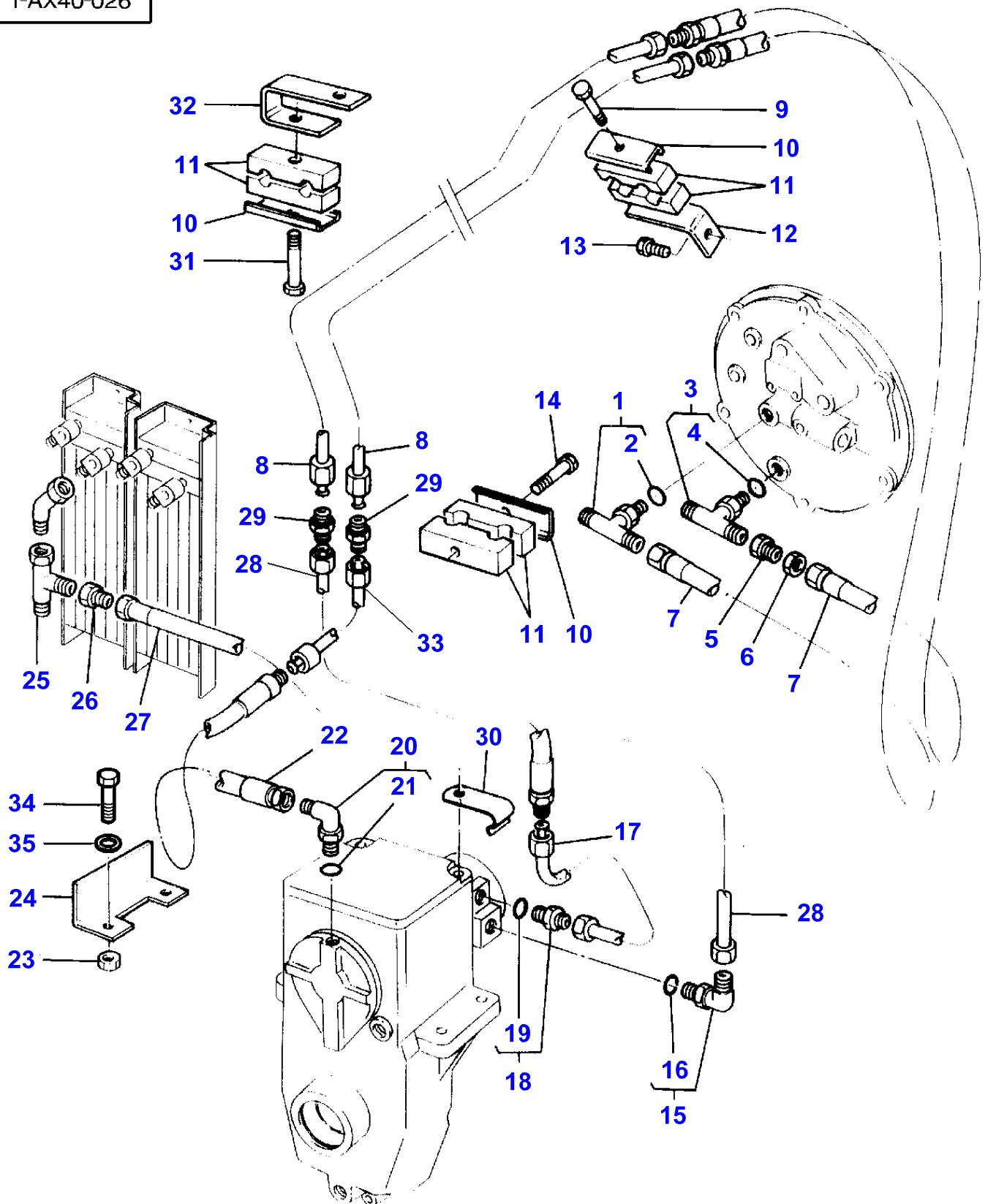


FRONT PTO-DRIVE

Item	Part Number	Qty	Description	Comments
1	3617368M1	1	Sleeve	
2	1441366X1	2	Bolt Metric	M12X40
3	339608X1	1	Grease Nipple	
4	3617364M1	1	Shaft	Number of teeth/spines 6
	3617365M1	1	Shaft	Number of teeth/spines 21
5	3617367M1	1	Bearing Carrier	
6	3009695X1	4	Nut Metric	Up to Serial or Engine Number C096023
7	390735X1	4	Nut	Up to Serial or Engine Number C096023
8	390912X1	4	Screw Metric	M12X40
				Up to Serial or Engine Number C096023
9	3617366M1	1	Support	Up to Serial or Engine Number C096023
10	364461X1	1	Nipple	
11	339299X1	4	Screw Metric	M12X30
				From Serial or Engine Number C096024
12	3618167M1	1	Support	From Serial or Engine Number C096024
13	3580498M1	1	Protector	[A]
				From Serial or Engine Number C096024
14	3618790M2	1	Cowl	From Serial or Engine Number C096024
15	339123X1	3	Screw Metric	M8X20
				From Serial or Engine Number C096024

[A]
METAL

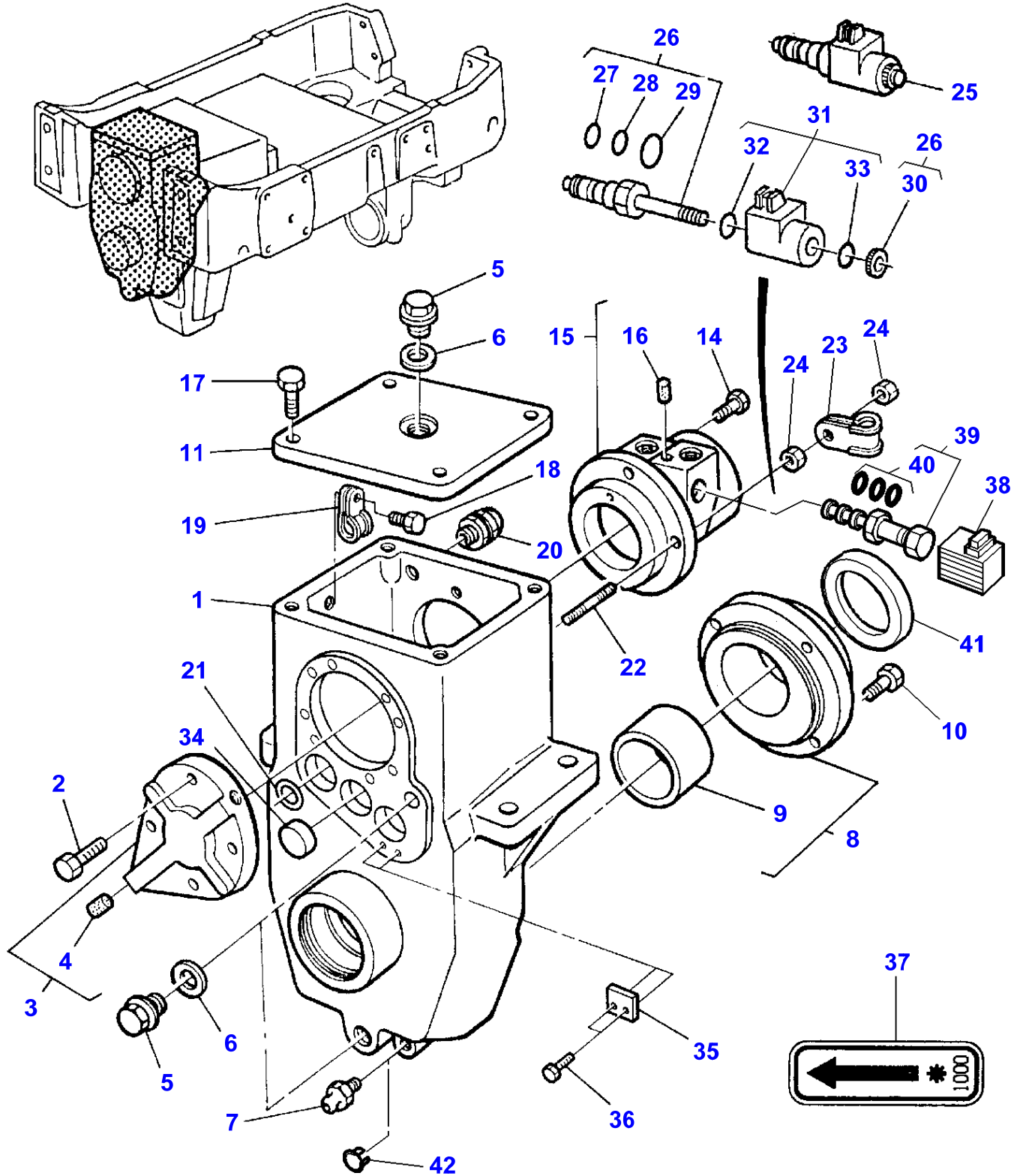
1-AX40-026



FRONT PTO-LINES - CLOCK WISE DRIVE FRONT PTO

Item	Part Number	Qty	Description	Comments
				CLOCK WISE DRIVE FRONT PTO
1	3019607X91	1	Teepiece	
2	3019395X1	1	O Ring	(1)
3	3019609X91	1	Union	
4	3019396X1	1	O Ring	(3)
5	356627X1	1	Adaptor	
6	195960M1	1	Nut	
7	3580770M2	2	Hydr Hose	
8	3617890M91	2	Tube	
9	339804X1	1	Screw Metric	M6X25
10	1625982M2	3	Plate	
11	3384779M1	6	Bridle	
12	3617891M1	1	Strap	
13	339228X1	1	Screw Metric	M8X12
14	339804X1	1	Screw Metric	M6X25
15	3019412X91	1	Elbow	
16	3019395X1	1	O Ring	(15)
17	3617634M91	1	Tube	
18	3019379X91	1	Union	
19	3019395X1	1	O Ring	(18)
20	3019412X91	1	Elbow	
21	3019395X1	1	O Ring	(20)
22	3617663M1	1	Hydr Hose	
23	339183X1	4	Nut	Up to Serial or Engine Number
24	3617662M2	2	Cowl	
25	364704X1	1	Teepiece	
26	3580860M1	1	Jet	
27	3581417M2	1	Hydr Hose	
28	3617632M91	1	Tube	
29	35529X1	2	Union	
30	3387578M1	1	Clamp	
31	339804X1	1	Screw Metric	M6X25
32	3617892M1	1	Strap	
33	3617656M91	1	Tube	
34	3010148X1	4	Stud	Up to Serial or Engine Number
	3386216M1	4	Screw	From Serial or Engine Number M20X60
35	3009747X1	4	Nut	Up to Serial or Engine Number
	385365X1	4	Washer	From Serial or Engine Number

1-AX39-022

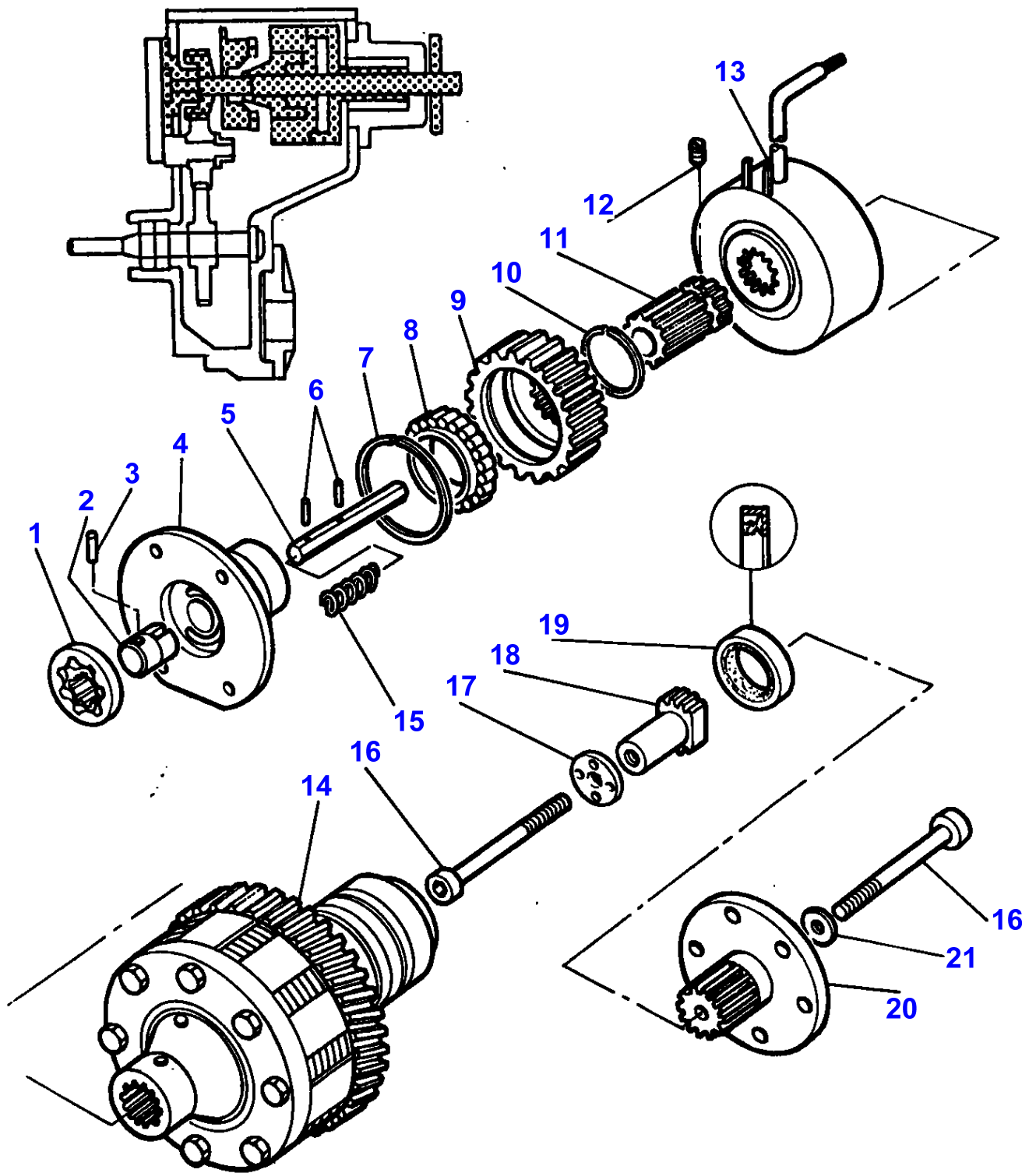


Item	Part Number	Qty	Description	Comments
				COUNTERCLOCKWISE DRIVE FRONT PTO
1	3615609M2	1	Case Assy	
2	339761X1	4	Screw Metric	M8X25
3	3581124M11	1	Cover	3581124M91
4	3581130M1	1	Plug	(3)
5	3583993M1	3	Plug	
6	3019397X1	3	O Ring	
7	339608X1	1	Grease Nipple	
8	3389340M92	1	Bearing Carrier	Two Wheel Drive
	3389342M93	1	Bearing Carrier	[A] Four Wheel Drive
9	3387822M1	1	Bearing	(8) Two Wheel Drive
9	3387823M1	1	Bearing	[A] (8) Four Wheel Drive Up to Serial or Engine Number C278048
9	3712078M1	1	Bearing	[A] (8) Four Wheel Drive From Serial or Engine Number C278049
10	339299X1	4	Screw Metric	M12X30
11	3389345M3	1	Cover	
12	390202X1	1	Seal	
13	339494X1	1	Plug	
14	339123X1	2	Screw Metric	M8X20
15	3581116M11	1	Bearing Carrier	3581116M91
16	3388063M1	1	Plug	(15)
17	339761X1	4	Screw Metric	M8X25
18	391074X1	1	Screw Metric	
19	3581132M1	1	Clamp	
20	3389615M1	1	Gland	
21	195562M1	2	O Ring	
22	3386903M1	2	Stud	
23	3581424M1	2	Clamp	
24	339169X1	4	Nut Metric	
25		1	Electrovalve	[C] Not serviced, order REF 26ET31
26	3616588M1	1	Spool	Up to Serial or Engine Number B326009
27	3104856M1	1	O Ring	(26) Up to Serial or Engine Number B326009
28	3104855M1	1	O Ring	(26) Up to Serial or Engine Number B326009
29	1852568M1	1	O Ring	(26) Up to Serial or Engine Number B326009
30	3105498M1	1	Nut	(26) Up to Serial or Engine Number B326009
31	3616589M1	1	Solenoid	[C] Up to Serial or Engine Number A335020
31	3616586M1	1	Solenoid	[B,C,D] From Serial or Engine Number A335021 Up to Serial or Engine Number B326009
32	3105500M1	1	O Ring	(31) Up to Serial or Engine Number B326009
33	3105499M1	1	O Ring	(31) Up to Serial or Engine Number B326009
34	3713445M1	1	Plug	Repairs and replaces 3004969X1
35	3615604M1	1	Stop	
36	339123X1	2	Screw Metric	M8X20
37	3618157M1	1	Decal	
38	3619764M1	1	Solenoid	[C] From Serial or Engine Number B326010
39	3619762M1	1	Spool	From Serial or Engine Number B326010
40	3900994M91	1	Kit, Joint	(39) From Serial or Engine Number B326010
41	3712081M1	1	Cup	Four Wheel Drive From Serial or Engine Number C278049
42	3615257M1	1	Eyelet	Four Wheel Drive From Serial or Engine Number C278049

[A]

Item	Part Number	Qty	Description	Comments
				WITH TURNING ANGLE OF 50 DEGREE
				[B] NEW CONNECTION
				[C] INCLUDING A DIODE
				[D] EXCEPT TRACTOR NO A336004

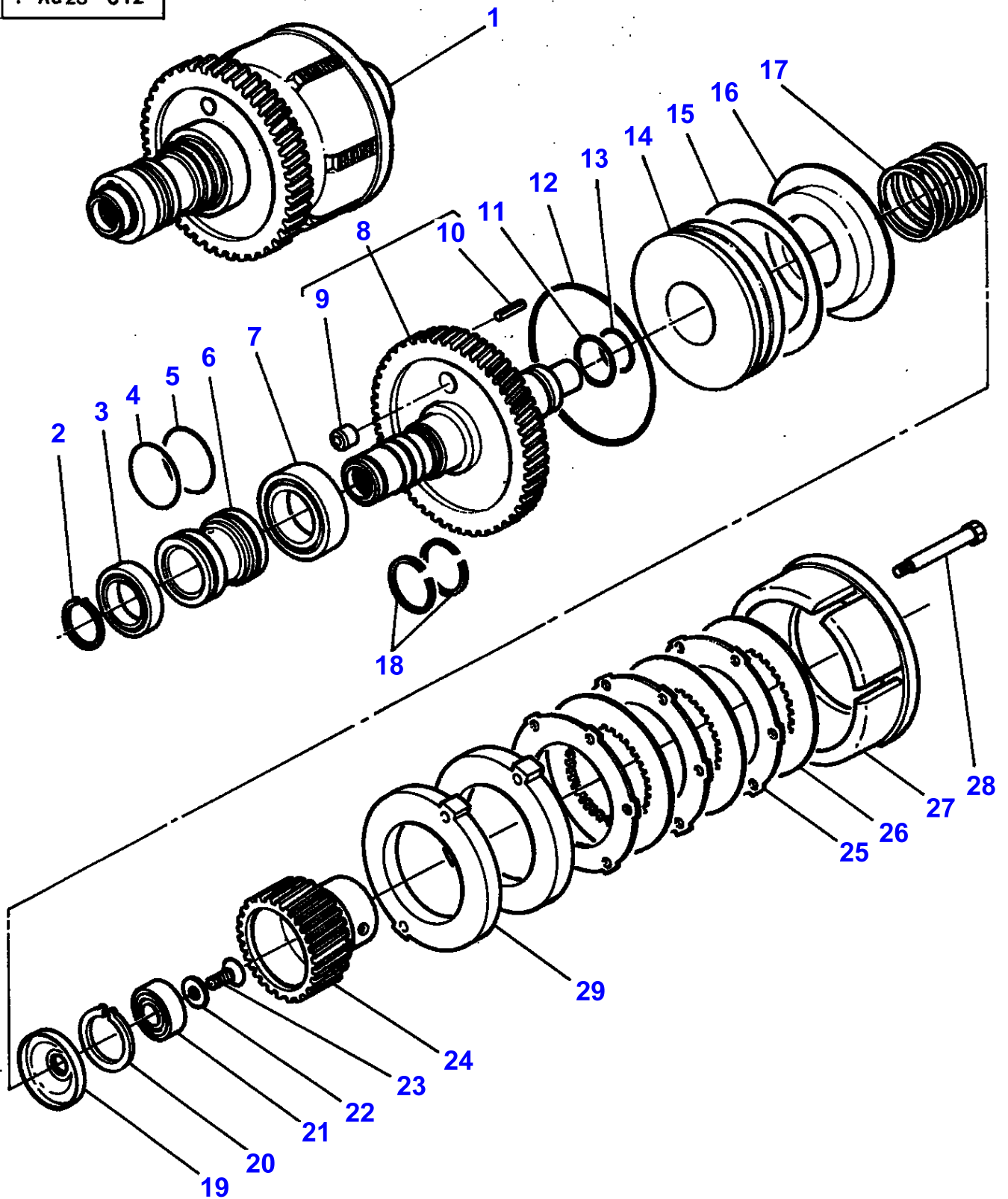
1-AX38-005



FRONT PTO-DRIVE - COUNTERCLOCKWISE DRIVE FRONT PTO

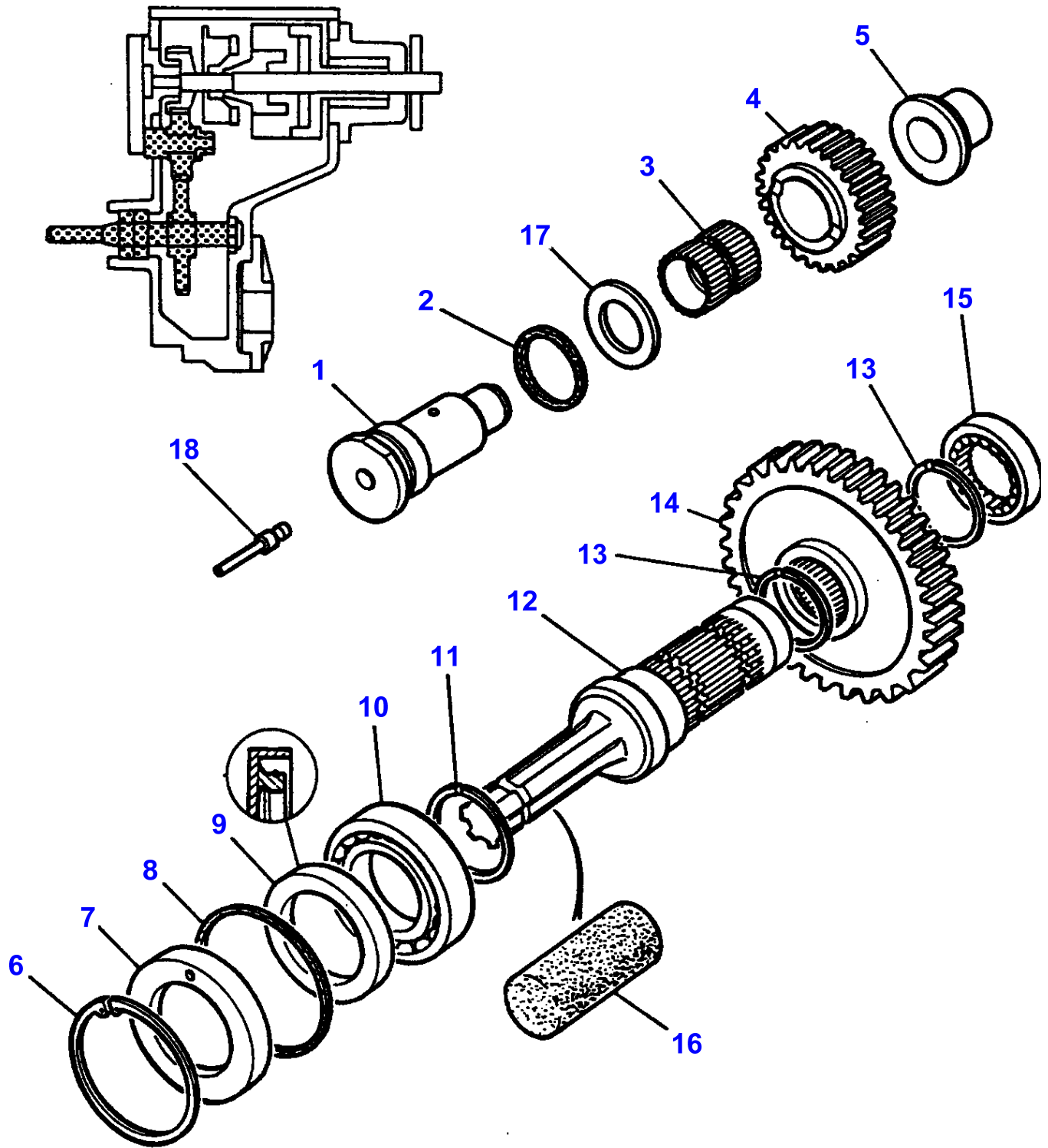
Item	Part Number	Qty	Description	Comments
				COUNTERCLOCKWISE DRIVE FRONT PTO
1	274797M1	1	Rotor	
2	3389604M1	1	Hub	
3	338334X1	1	Pin	
4	3615601M1	1	Hub Carrier	
5	3617323M1	1	Clevis Pin	
6	3006442X1	2	Pin	Up to Serial or Engine Number D352999
	3010612X1	2	Needle	From Serial or Engine Number D353000
7	1442502X1	1	Circlip	
8	3580985M1	1	Bearing Assy	
9	3389332M2	1	Pinion	Number of teeth/spines 25
10	3389610M1	X	Chock	Thickness 0,25 MM
	3389611M1	X	Chock	Thickness 0,50 MM
	3389612M1	X	Chock	Thickness 1 MM
11	3389347M2	1	Shaft	
12	3009711X1	1	Screw	
13	3389631M91	1	Brake	
14		1	Clutch	See Page - Reference Number 138/
15	3389605M1	1	Spring	
16	3389349M1	2	Screw Special	
17	3389603M1	1	Washer	
18	3617321M1	1	Nut Special	
19	3389614M1	1	Gasket	
20	3389861M91	1	Shaft	
21	391376X1	1	Joint	

1-AG23-012



Item	Part Number	Qty	Description	Comments
				COUNTERCLOCKWISE DRIVE FRONT PTO
1	3616071M91	1	Clutch	Up to Serial or Engine Number C117028
	3712748M91	1	Clutch	From Serial or Engine Number C117029
				Up to Serial or Engine Number D125026
1	3714535M11	1	Clutch	From Serial or Engine Number D125027
				3714535M91
2	391832X1	1	Circlip	(1)
3	834820M1	1	Bearing Assy	(1)
4	3007077X1	1	Gasket	(1)
5	365801X1	1	Ring	(1)
6	3384388M1	1	Hub	(1)
7	3002233X1	1	Bearing Assy	(1)
8	3387195M91	1	Housing	(1)
				Up to Serial or Engine Number D125026
				Number of teeth/spines 73
8	3714530M11	1	Housing	(1)
				From Serial or Engine Number D125027
				Number of teeth/spines 77
				3714530M91
9	1872134M92	1	Valve Check	(8)
10	3006444X1	2	Pin	(8)
11	3582934M1	1	Gasket	(1)
12	3582933M1	1	Gasket	(1)
13	832038M1	1	O Ring	(1)
14	3387193M1	1	Piston	(1)
15	3619148M1	1	Cup Spring	(1)
				Repairs and replaces 3582894M1
16	3387198M1	1	Support	(1)
17	3582893M1	1	Spring	(1)
18	3384502M1	2	Segment	(1)
19	3387199M1	1	Spring	(1)
				Up to Serial or Engine Number B342005
19	3619555M1	1	Spring	(1)
				From Serial or Engine Number B342006
20	3019350X1	1	Ring	(1)
21	339073X1	1	Bear. 6004	(1)
22	3389211M1	1	Washer	(1)
				Up to Serial or Engine Number B342005
23	3009450X1	1	Screw	(1)
				Up to Serial or Engine Number B342005
24		1	Hub	(1)
				Up to Serial or Engine Number B342005
				Not serviced, order REF NO 1
24	3619553M1	1	Hub	(1)
				From Serial or Engine Number B342006
25	3387346M1	3	Counterplate	(1)
26	3387347M1	3	Disc	(1)
27	3387192M1	1	Cover	(1)
28	3010173X1	6	Screw	(1)
				M6X52
29	3616056M2	2	Spacer	(1)

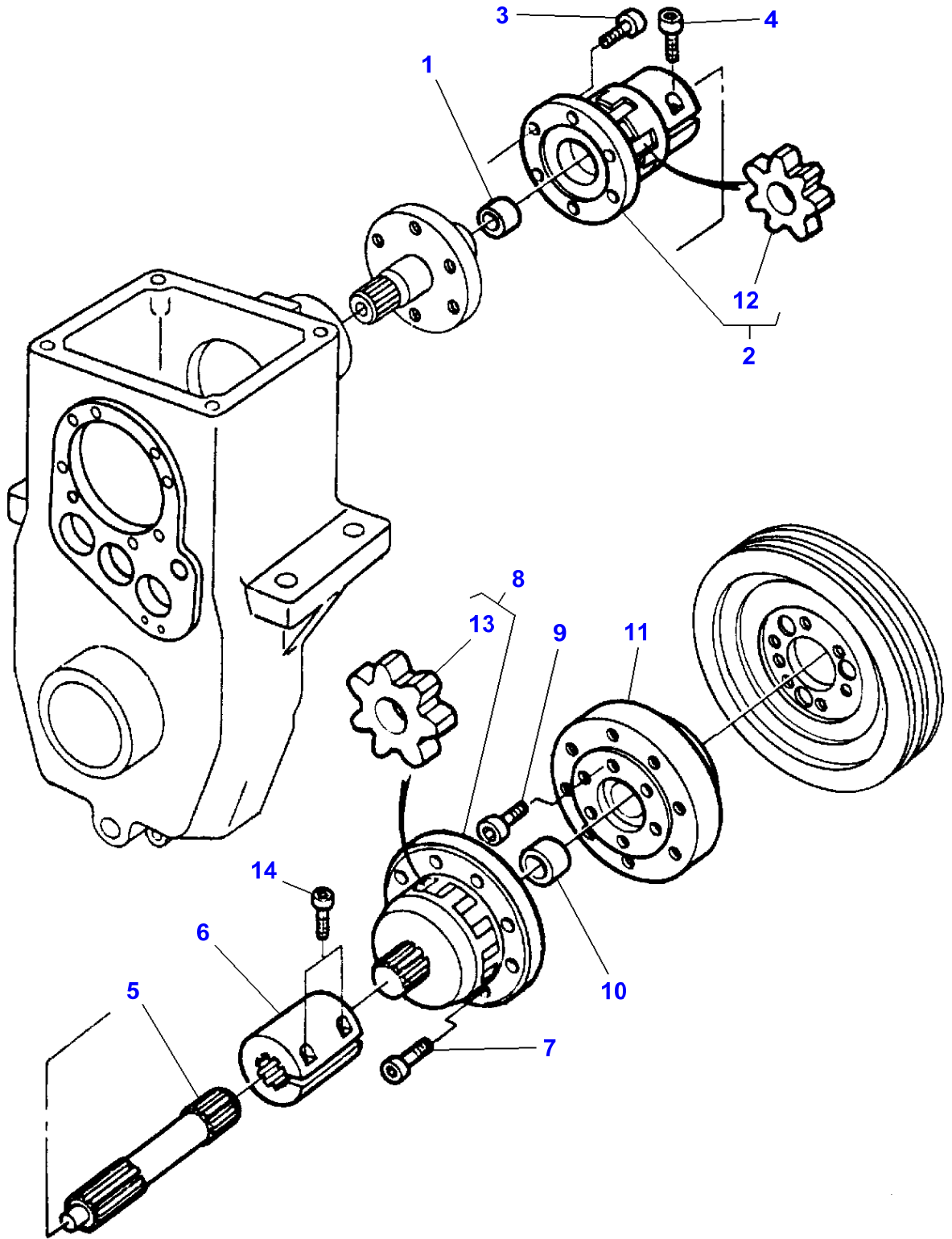
1-AX38-016



Item	Part Number	Qty	Description	Comments
				COUNTERCLOCKWISE DRIVE FRONT PTO
1	3615603M2	2	Clevis Pin	
2	378201X1	2	O Ring	
3	3389599M1	2	Needle Cage	
4	3389333M1	2	Pinion	Number of teeth/spines 25
5	3389346M1	2	Bush	
6	1440516X1	1	Circlip	
7	3389339M2	1	Sealing Holder	
8	842332M1	1	Gasket	
9	3389613M2	1	Seal	
10	391261X1	1	Bear. 6011	
11	377602X1	1	Circlip	
12	3617117M1	1	Shaft	Number of teeth/spines 6
13	3386987M1	2	Circlip	
14	3389337M1	1	Pinion	Number of teeth/spines 51
15	3387381M1	1	Bearing Assy	
16	3038717M1	1	Protector	[A]
17	3615602M1	2	Washer	
18	3581130M1	1	Plug	

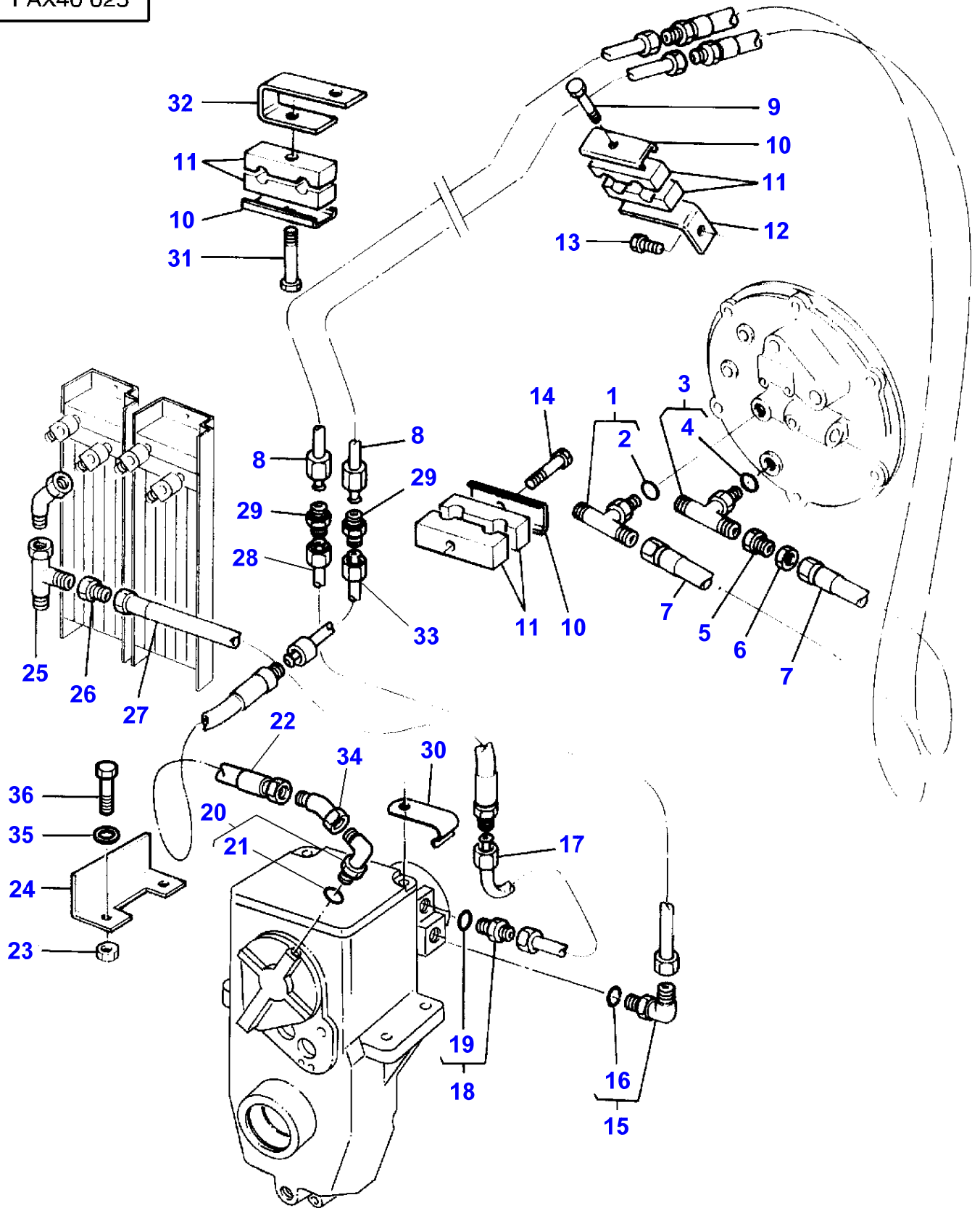
[A]
PLASTICS

1-AX38-026



Item	Part Number	Qty	Description	Comments
				COUNTERCLOCKWISE DRIVE FRONT PTO
1	3389791M1	1	Bush	
2	3389825M1	1	Coupler	
3	1440350X1	6	Screw Metric	
4	1440349X1	1	Screw Metric	M8X30
5	3617283M1	1	Shaft	Length 150MM
6	3389783M1	1	Sleeve	Up to Serial or Engine Number C242036
	3619929M1	1	Sleeve	From Serial or Engine Number C242037
7	391989X1	8	Screw Metric	M8X20
8	3580604M91	1	Coupler	
9	3004715X1	6	Screw	M8X60
10	3389766M1	1	Bush	
11	3617282M1	1	Hub	
12	3467932M1	1	Shock Absorber	(2)
13	3467933M1	1	Shock Absorber	(8)
14	1440349X1	2	Screw Metric	M8X30
				Up to Serial or Engine Number C242036
14	3010238X1	2	Screw	M10X40
				From Serial or Engine Number C242037

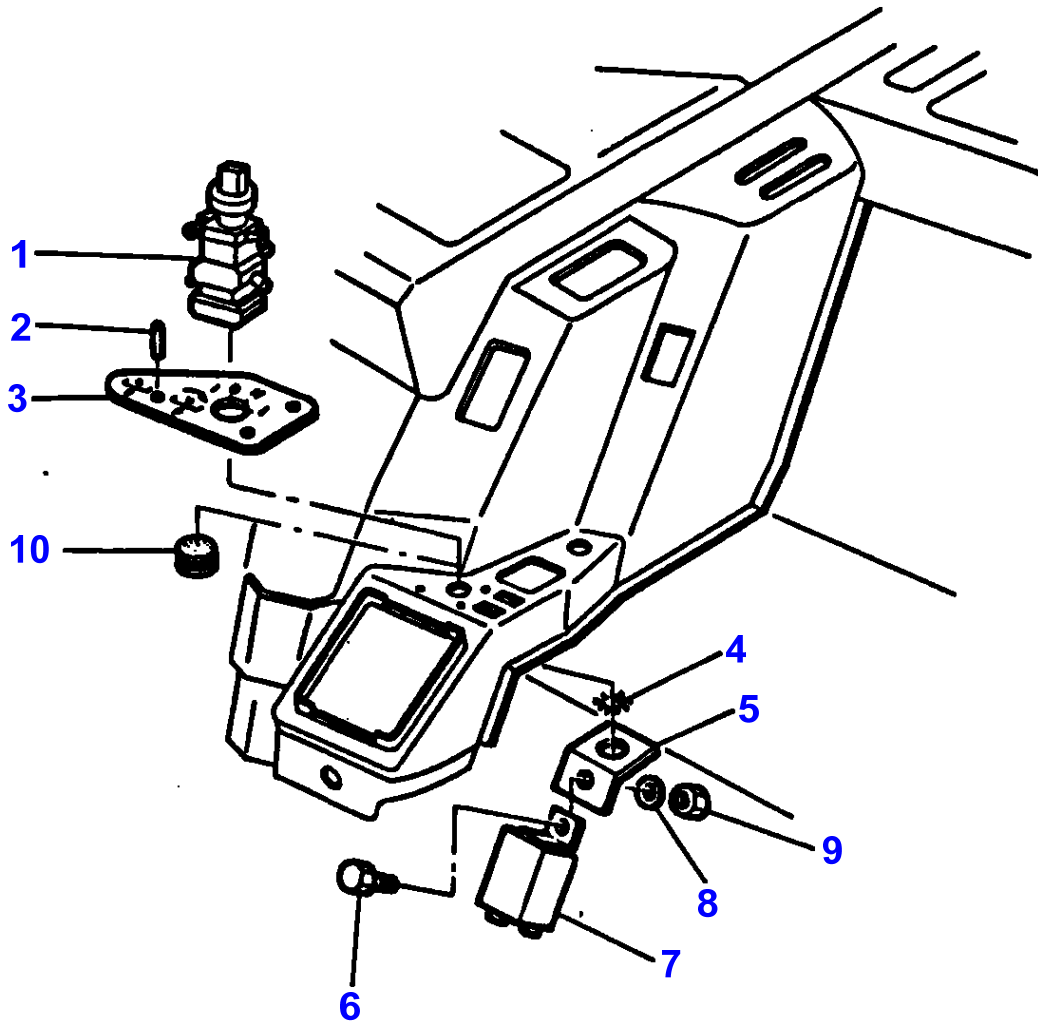
1-AX40-025



FRONT PTO-LINES - COUNTERCLOCKWISE DRIVE FRONT PTO

Item	Part Number	Qty	Description	Comments
				COUNTERCLOCKWISE DRIVE FRONT PTO
1	3019607X91	1	Teepiece	
2	3019395X1	1	O Ring	(1)
3	3019609X91	1	Union	
4	3019396X1	1	O Ring	(3)
5	356627X1	1	Adaptor	
6	195960M1	1	Nut	
7	3580770M2	2	Hydr Hose	
8	3617890M91	2	Tube	
9	339804X1	1	Screw Metric	M6X25
10	1625982M2	3	Plate	
11	3384779M1	6	Bridle	
12	3617891M1	1	Strap	
13	339228X1	1	Screw Metric	M8X12
14	339804X1	1	Screw Metric	M6X25
15	3019412X91	1	Elbow	
16	3019395X1	1	O Ring	(15)
17	3617634M91	1	Tube	
18	3019379X91	1	Union	
19	3019395X1	1	O Ring	(18)
20	3019412X91	1	Elbow	
21	3019395X1	1	O Ring	(20)
22	3617663M1	1	Hydr Hose	
23	339183X1	4	Nut	Up to Serial or Engine Number
24	3617662M2	2	Cowl	
25	364704X1	1	Teepiece	
26	3580860M1	1	Jet	
27	3581417M2	1	Hydr Hose	
28	3617632M91	1	Tube	
29	355529X1	2	Union	
30	3387578M1	1	Clamp	
31	339804X1	1	Screw Metric	M6X25
32	3617892M1	1	Strap	
33	3617656M91	1	Tube	
34	373783X1	1	Elbow	
35	3009747X1	4	Nut	Up to Serial or Engine Number
	385365X1	4	Washer	From Serial or Engine Number
36	3010148X1	4	Stud	Up to Serial or Engine Number
	3386216M1	4	Screw	From Serial or Engine Number M20X60

1-AX41-001

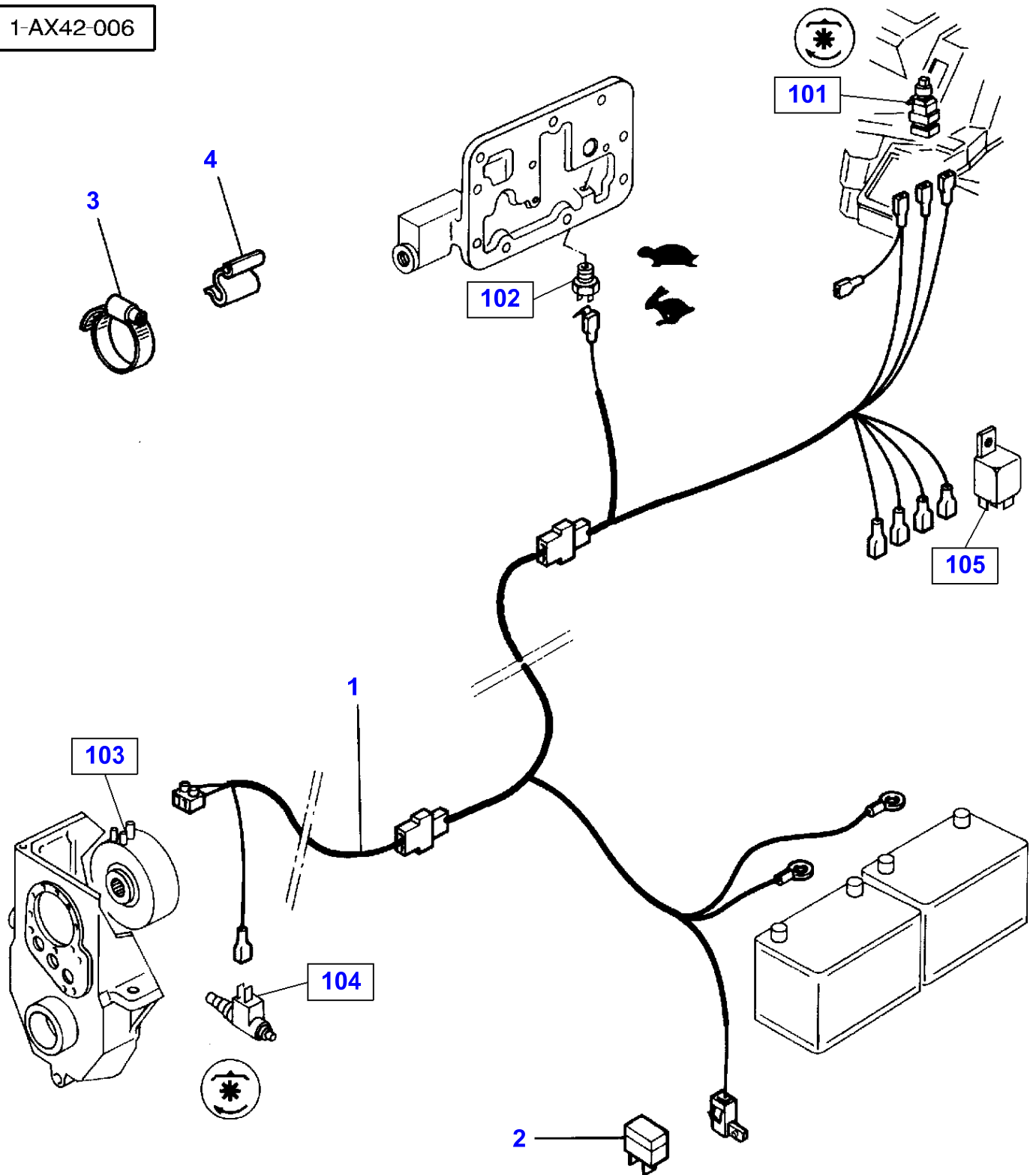


FRONT PTO-SWITCH

Item	Part Number	Qty	Description	Comments
1	3580595M1	1	Switch,Indirect	
2	391349X1	3	Rivet	
3	3580597M1	1	Plate	
4	359413X1	1	Washer	
5	3580596M1	1	Support	
6	339160X1	1	Screw	Diameter M5 Length 10MM
7	3615652M1	1	Relay	Repairs and replaces 3583507M1
8	339381X1	1	Lock Washer	
9	390995X1	1	Nut Metric	Diameter M5
10	3580599M1	1	Plug	[A]

[A]
WITHOUT FRONTAL PTO

1-AX42-006



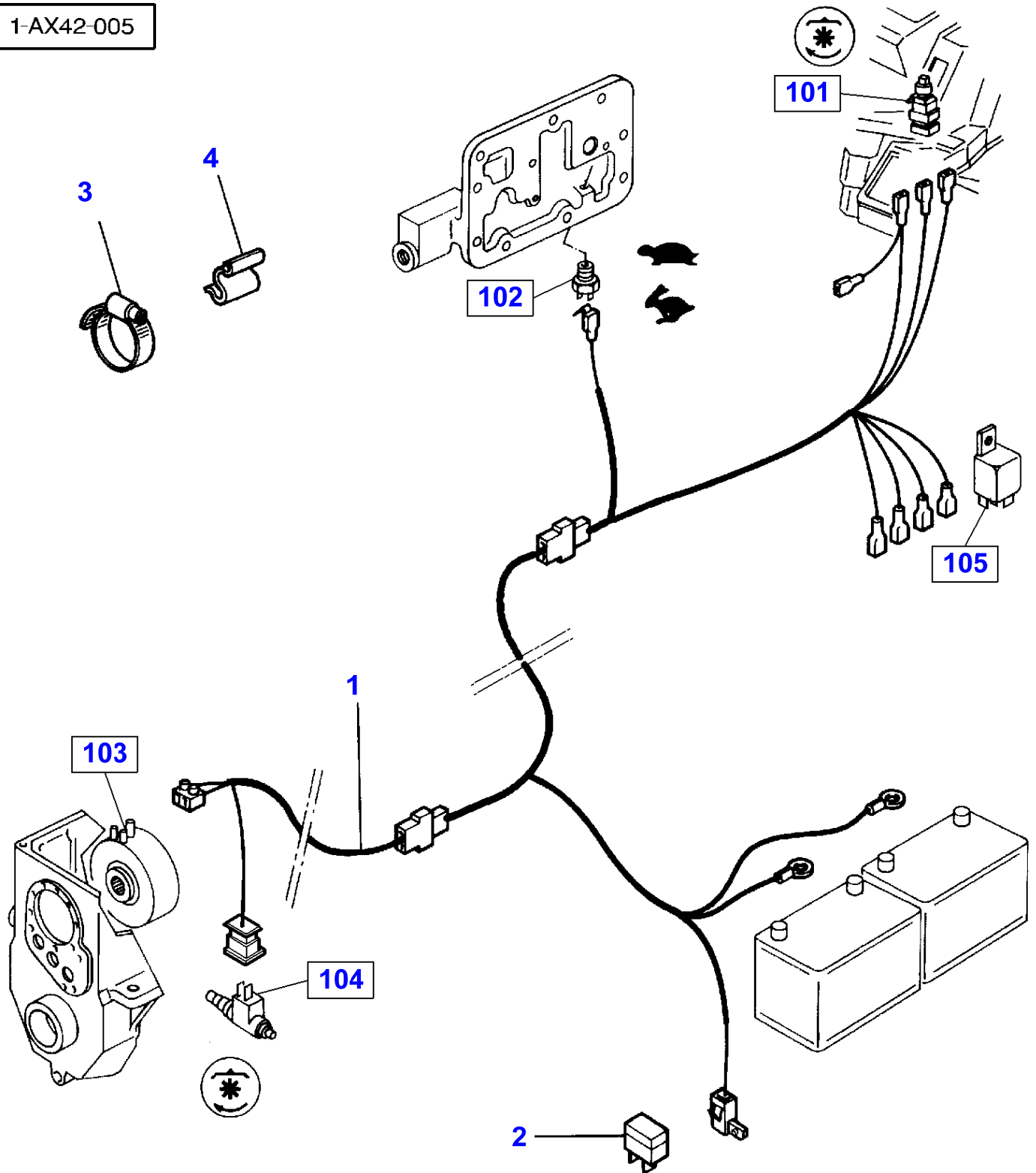
MASSEY FERGUSON**MF 3690 TRACTOR - 1637223****1637223****143****FRONT PTO-HARNESS - UP TO NO A335020**

Item	Part Number	Qty	Description	Comments
				UP TO NO A335020
1	3583258M93	1	Harness	
2	3620023M1	1	Fuse	5 AMP.
3	3619622M1	7	Tie	
4	964063M1	2	Strap	
101		1	Switch,Indirect	[A]
102		1	Switch,Indirect	[A]
103		1	Pto Brake	[A]
104		1	Electrovalve	[A]
105		1	Relay	[A]

[A]

FOR THE PART NUMBERS OF THESE PARTS, PLEASE REFER TO THE PAGE OF THE ASSY ON WHICH THEY ARE MOUNTED.

1-AX42-005



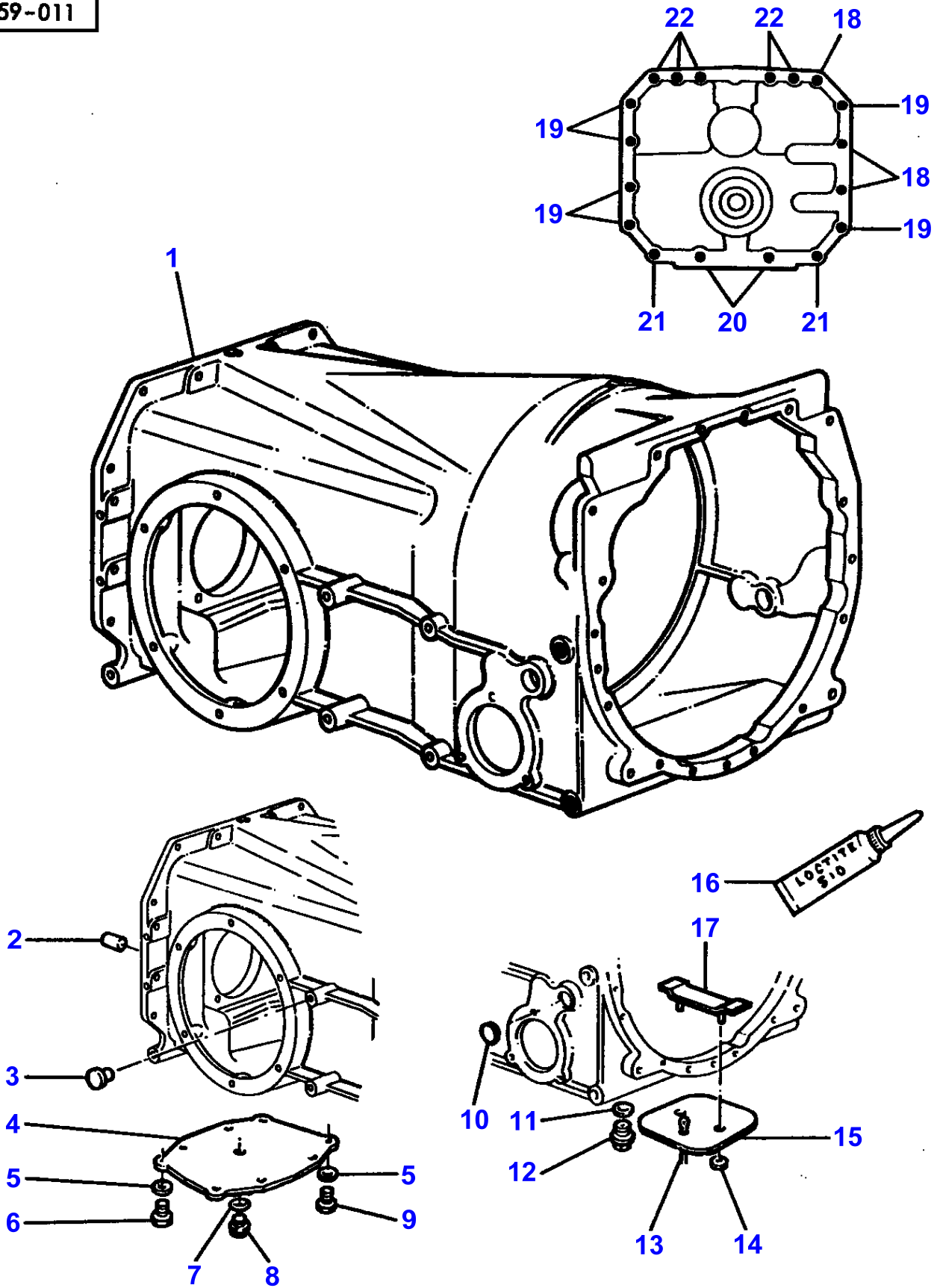
MASSEY FERGUSON**MF 3690 TRACTOR - 1637223****1637223****FRONT PTO-HARNESS - FROM NO A335021 EXCEPT NO A336004****144**

Item	Part Number	Qty	Description	Comments
				FROM NO A335021 EXCEPT NO A336004
1	3617621M92	1	Harness	
2	3620023M1	1	Fuse	5 AMP.
3	3619622M1	7	Tie	
4	964063M1	2	Strap	
101		1	Switch,Indirect	[A]
102		1	Switch,Indirect	[A]
103		1	Pto Brake	[A]
104		1	Electrovalve	[A]
105		1	Relay	[A]

[A]

FOR THE PART NUMBERS OF THESE PARTS, PLEASE REFER TO THE PAGE OF THE ASSY ON WHICH THEY ARE MOUNTED.

1-AE59-011

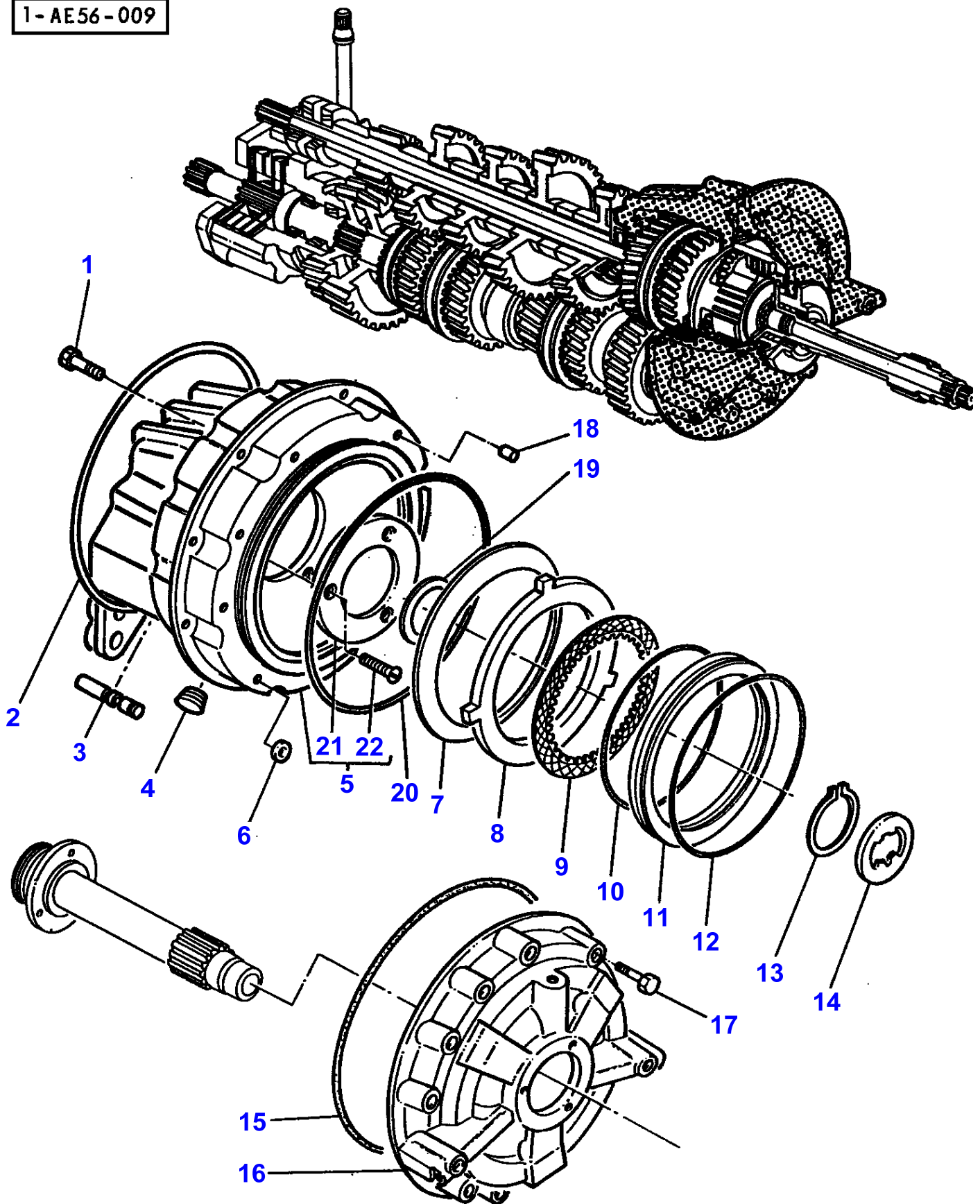


16 SPEED MARK 3 TRANSMISSION-HOUSING

Item	Part Number	Qty	Description	Comments
1	3616092M1	1	Housing	Up to Serial or Engine Number B153019
	3618767M2	1	Housing	From Serial or Engine Number B153020
	3619556M1	1	Housing	[A]
2	519728M1	1	Dowel	
3	3042316M1	10	Plug	
4	1610870M2	1	Cover	
5	353439X1	8	Lock Washer	
6	354649X1	1	Bolt Unc	Diameter 1/2" Length 57MM
7	851258M1	1	O Ring	
8	3429400M1	1	Plug	Repairs and replaces 884691M2
9	354276X1	6	Screw Unc	1/2"X32MM
	832566M1	1	Screw	1/2"X38MM
10	731354M1	1	Plug	
11	851258M1	1	O Ring	
12	3429400M1	1	Plug	Repairs and replaces 884691M2
13	354089X1	1	Pin	
14	355566X1	2	Nut Unc	Diameter 3/8
	3009693X1	2	Nut Metric	Diameter M10
15	1625251M1	1	Cover	
16	1633270M3	X	Loctite	
17	1625249M91	1	Bearer	
18	372999X1	3	Screw	Length 57MM Diameter 5/8-11
19	372972X1	6	Screw	Length 45MM Diameter 5/8-11
20	360820X1	2	Screw	Diameter 5/8 Length 63,5MM
21	371266X1	2	Screw	Diameter 5/8-11 Length 63,5MM
22	377641X1	5	Nut Unf	Diameter 5/8-18

[A]
WITH WET CLUTCH

1-AE56-009



MASSEY FERGUSON**MF 3690 TRACTOR - 1637223**

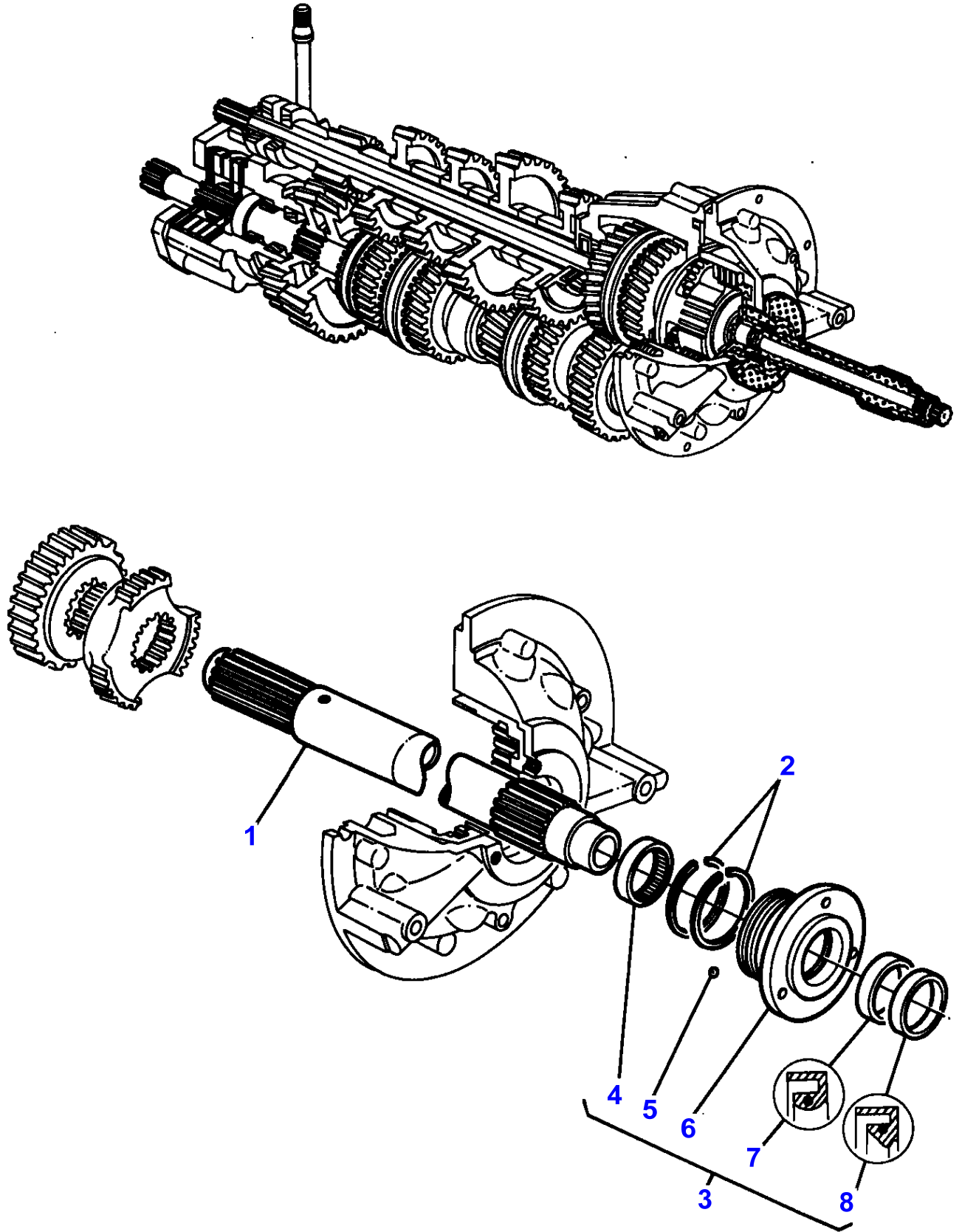
1637223

146

16 SPEED MARK 3 TRANSMISSION-GAMMA 2 COVER

Item	Part Number	Qty	Description	Comments
1	353691X1	8	Screw Unc	
2	3388928M1	1	O Ring	
3	3052833M1	1	Tube	
4	356040X1	1	Plug	
5	3583939M12	1	Cover	3583939M92
6	1440011X1	1	O Ring	
7	3388021M1	2	Washer	
8	3581333M1	1	Plate	
9	3583412M1	1	Disc	
10	3382251M1	1	O Ring	
11	3382244M1	1	Piston	
12	3382250M2	1	O Ring	
13	1440528X1	1	Circlip	
14	3382246M1	1	Tooth Washer	
15	3382249M1	1	O Ring	293X3,53
16	3388020M12	1	Cover	3388020M92
17	339679X1	8	Bolt Metric	M10X60
18	1611168M4	2	Centraliser	
19	3382245M1	1	Washer	
20	3010029X1	1	O Ring	276X2
21	3617152M1	1	Bush	(5)
22	3009431X1	3	Screw	(5) M6X20

1-AE57-002

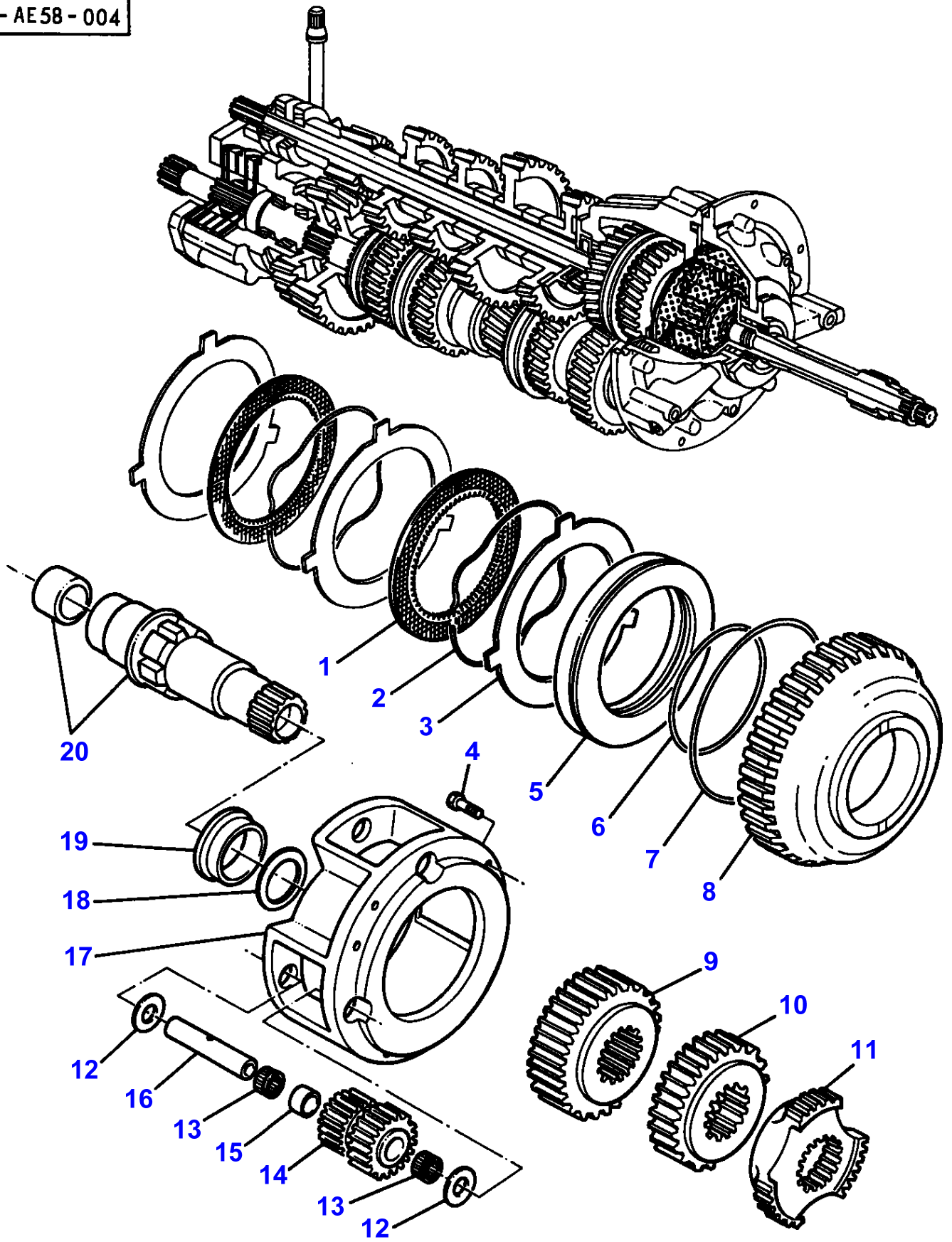


MASSEY FERGUSON**MF 3690 TRACTOR - 1637223****1637223****16 SPEED MARK 3 TRANSMISSION-GAMMA 2 REDUCER SHAFT****147**

Item	Part Number	Qty	Description	Comments
1	3582370M2	1	Shaft	[A]
2	3382247M4	2	Segment	
3	3582960M12	1	Support	3582960M92
4	3382235M1	1	Needle Cage	(3)
5	354465X1	1	Ball	(3)
6		1	Hub	(3)
				Not serviced, order REF NO 3
7	3382236M1	1	Seal	(3)
8	3382237M1	1	Seal	(3)

[A]
DUAL CLUTCH

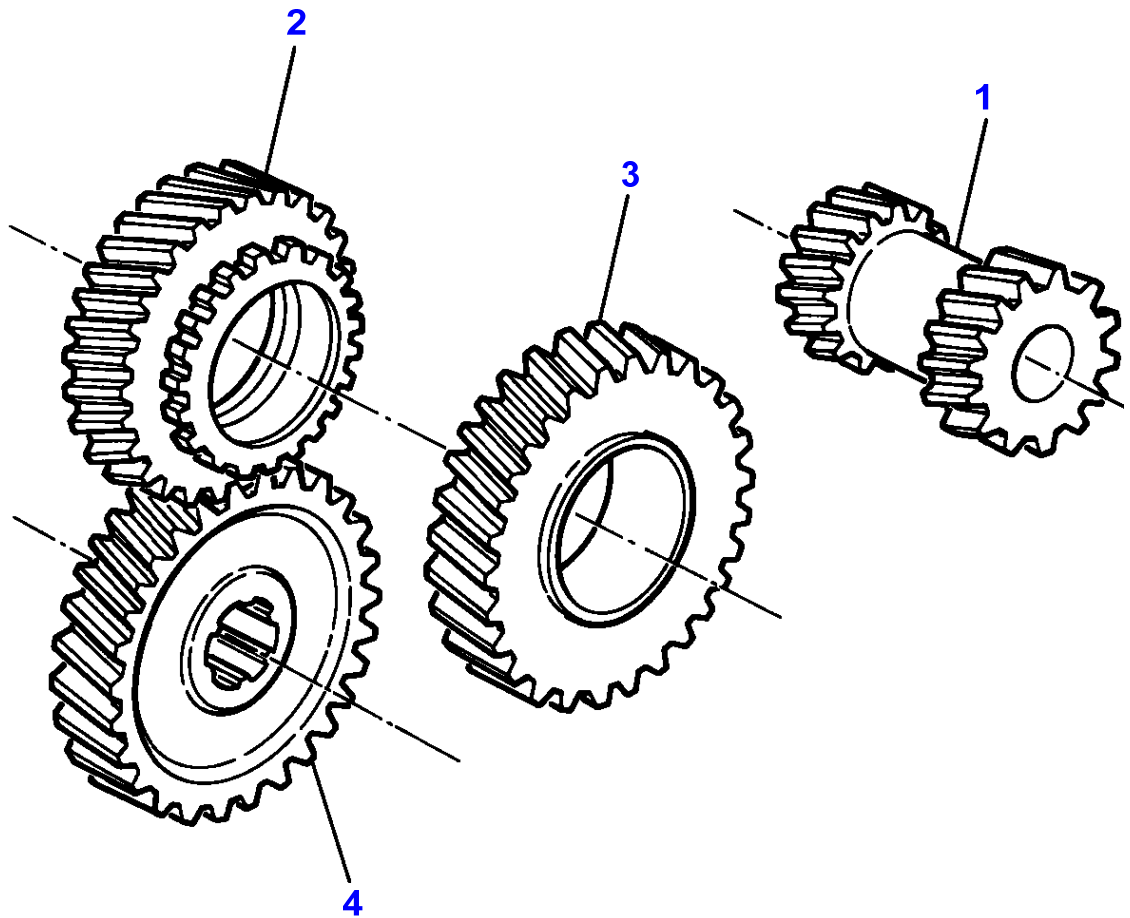
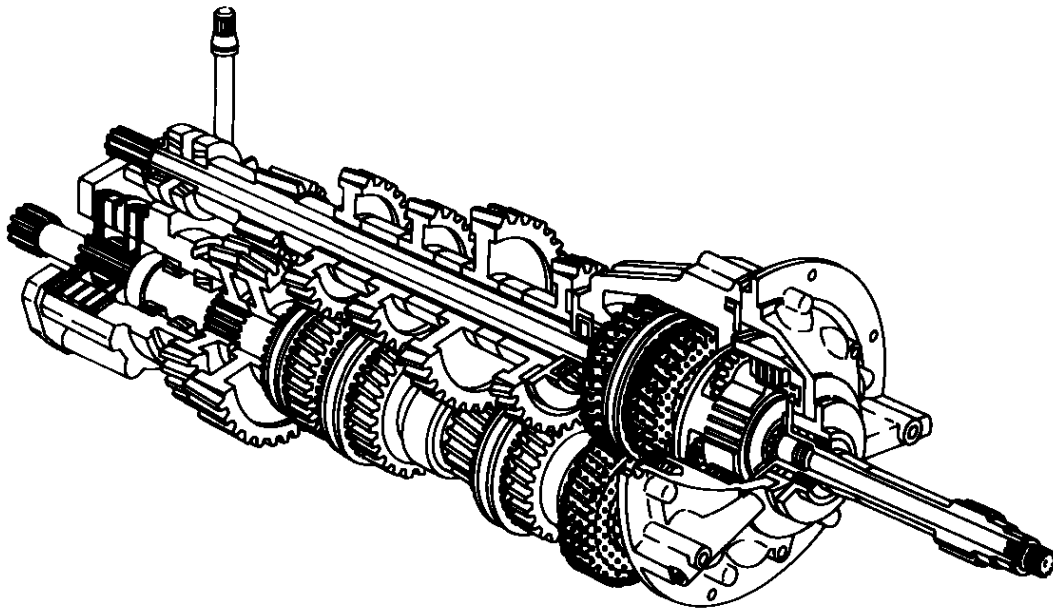
1-AE58-004



16 SPEED MARK 3 TRANSMISSION-GAMMA 2 CLUTCH AND REDUCER

Item	Part Number	Qty	Description	Comments
1	3381495M1	2	Clutch Disc	
2	1660406M1	2	Spring	
3	3382241M1	3	Plate	
4	3009282X1	6	Screw	
5	3388024M1	1	Piston	
6	3388110M1	1	O Ring	
7	3388111M1	1	O Ring	
8	3583407M2	1	Cover	
9	3581486M1	1	Pinion	Number of teeth/spines 39
10	3581485M1	1	Pinion	Number of teeth/spines 36
11	3712140M1	1	Hub	
12	3388105M1	6	Washer	
13	3388108M1	6	Needle Cage	
14	3581483M1	3	Diff Pinion	Number of teeth/spines 18/21
15	3581489M1	3	Spacer	
16	3581484M1	3	Clevis Pin	
17	3583414M2	1	Carrier	
18	3582002M1	X	Chock	Thickness 1,4
	3582008M1	X	Chock	Thickness 1,85
	3582009M1	X	Chock	Thickness 2,30
	3582010M1	X	Chock	Thickness 2,75
	3582396M1	X	Chock	Thickness 3,20
19	3581578M1	1	Bush	
20	3581479M12	1	Shaft	3581479M92

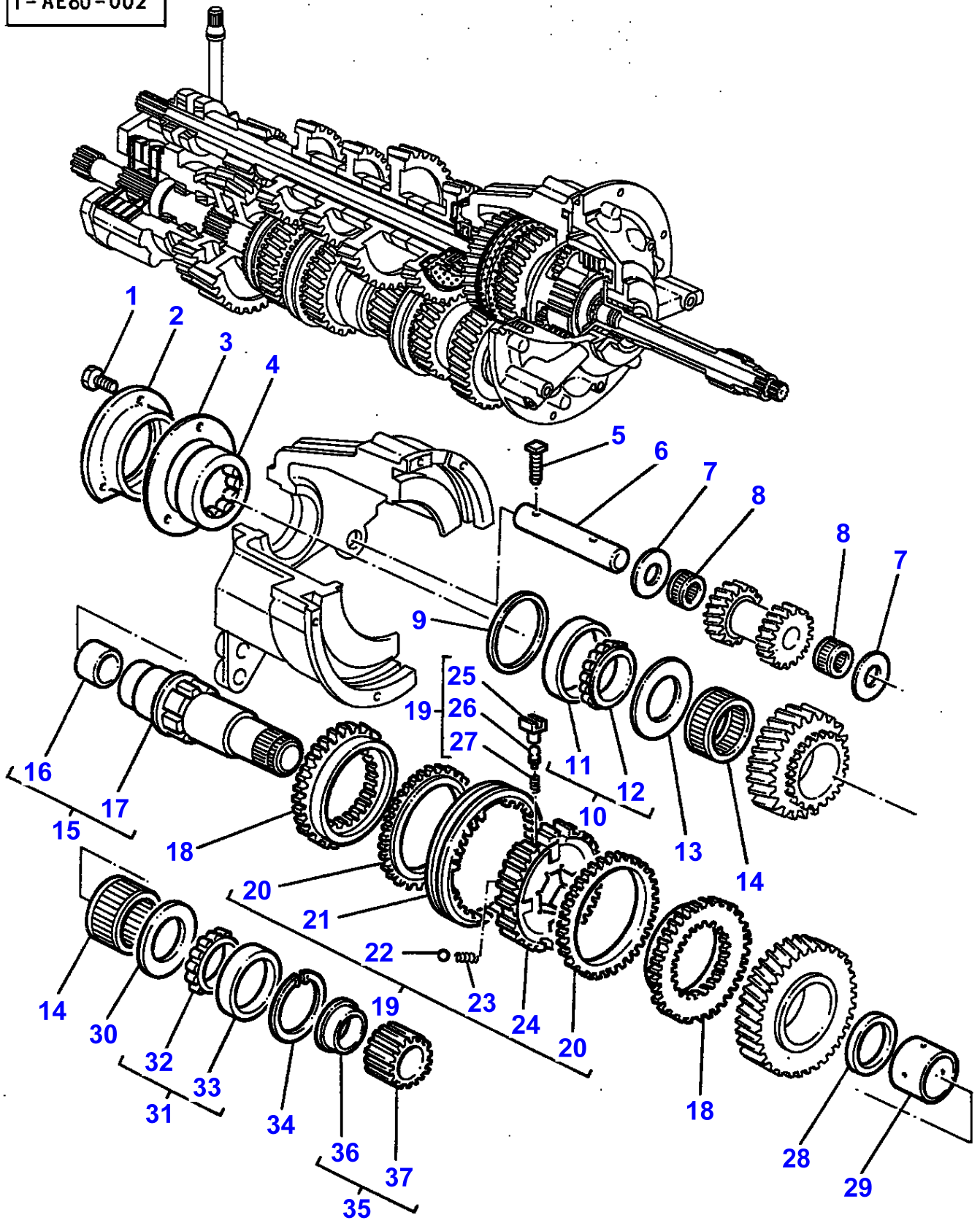
1-AE71-001



MASSEY FERGUSON**MF 3690 TRACTOR - 1637223****1637223****16 SPEED TRANSMISSION MARK 3-INPUT GEARS - GAMMA 2 GEAR TRAIN****149**

Item	Part Number	Qty	Description	Comments
				GAMMA 2 GEAR TRAIN
1	1610867M1	1	Pinion	Number of teeth/spines 17/17
2	3389831M1	1	Pinion	30 KM/H Number of teeth/spines 30
3	3380225M3	1	Pinion	Number of teeth/spines 36
4	3389828M1	1	Pinion	30 KM/H Number of teeth/spines 32

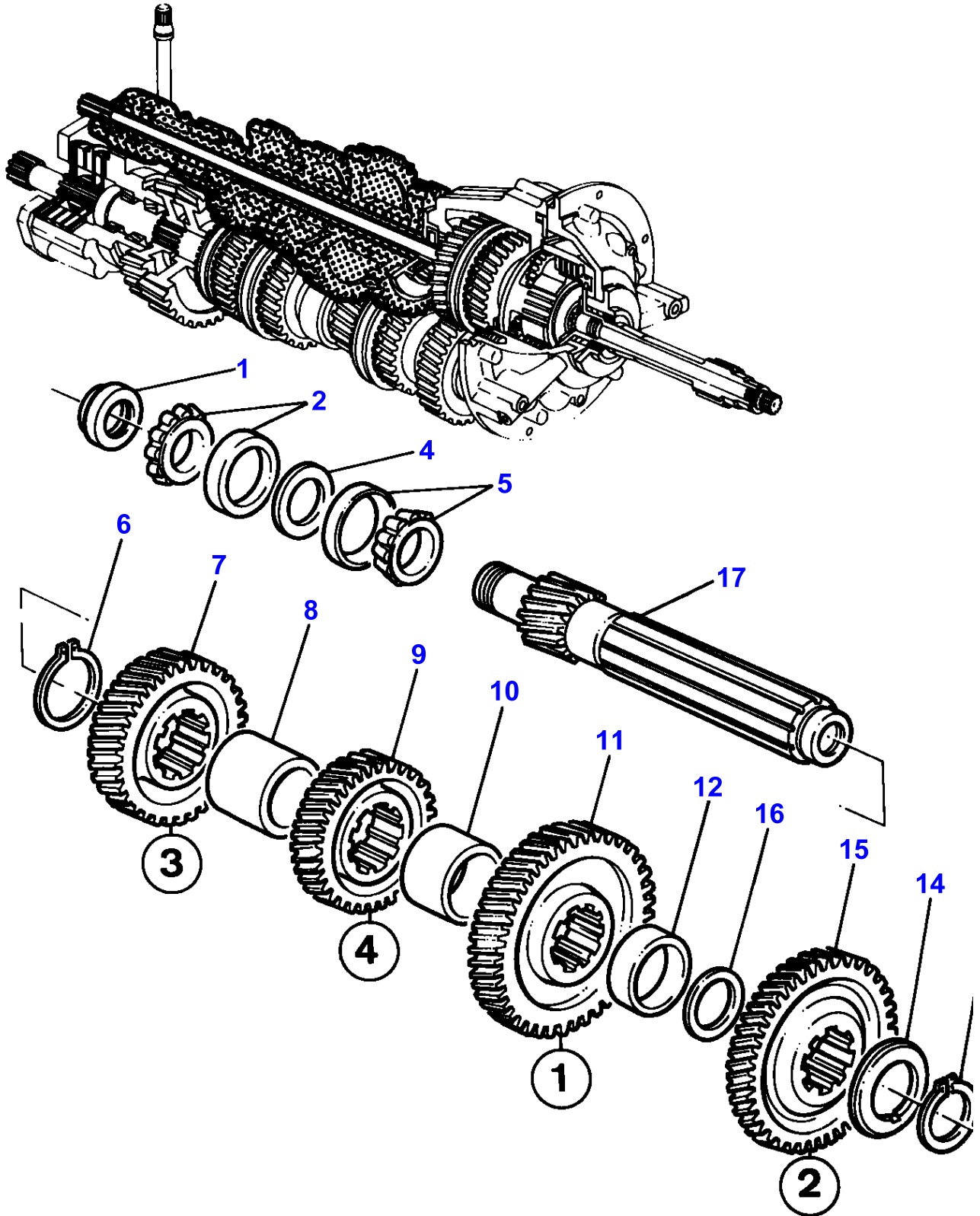
1-AE60-002



16 SPEED MARK 3 TRANSMISSION-INPUT SHAFT WITH SYNCHROMESH

Item	Part Number	Qty	Description	Comments
1	3009451X1	3	Screw	M10X25
2	3380044M1	1	Cage	
3	3039531M2	X	Shim	Thickness 0,10MM
	3039532M2	X	Shim	Thickness 0,20MM
	3039533M2	X	Shim	Thickness 0,30MM
4	843686M1	1	Bearing Assy	
5	3771408M1	1	Screw	
6	1610854M1	1	Clevis Pin	
7	1610887M1	2	Washer	
8	834844M1	2	Bearing Assy	
9	3041713M2	1	Spacer	
10	3405344M91	1	Bearing Taper	
11		1	Race	(10) Not serviced, order REF 10
12		1	Cone	(10) Not serviced, order REF 10
13	3380242M2	1	Washer	Thickness 4,07 MM
14	3380233M1	2	Needle Cage	
15		1	Shaft	[B] See Page - Reference Number 156/
15		1	Shaft	[A] See Page - Reference Number 148/2
16		1	Bush	(15) Not serviced, order REF.15
17		1	Shaft	(15) Not serviced, order REF.15
18	3385834M1	2	Ring	
19	3380251M91	1	Synchro Gear	
20	3383188M1	2	Ring	(19)
21	3033847M1	1	Slider Bearing	(19)
22	3386520M1	3	Ball	(19)
23	3033893M1	3	Spring	(19)
24	3039159M1	1	Hub	(19)
25	3033849M1	3	Poppet	(19)
26	3188958M1	3	Ball Pin	(19)
27	3033851M1	3	Spring	(19)
28	3380245M1	1	Washer	
29	3380248M2	1	Bush	
30	3380243M2	1	Washer	[A] Thickness 5,90 MM
30	3380300M2	1	Washer	[B] Thickness 7,07 MM
31	968636M91	1	Bearing Assy	[A]
	3405344M91	1	Bearing Taper	[B]
32		1	Cone	(31) Not serviced, order REF 31
33		1	Race	(31) Not serviced, order REF 31
34	3041871M1	1	Clip	[A] Up to Serial or Engine Number A120015
35		1	Pinion	See Page - Reference Number 148/
36	1612729M2	1	Bearing	[A] (35)
37		1	Planet	[A] (35) Not serviced, order REF 35
				[A] WITH GAMMA 2 GEAR
				[B] WITH CREEPER GEAR

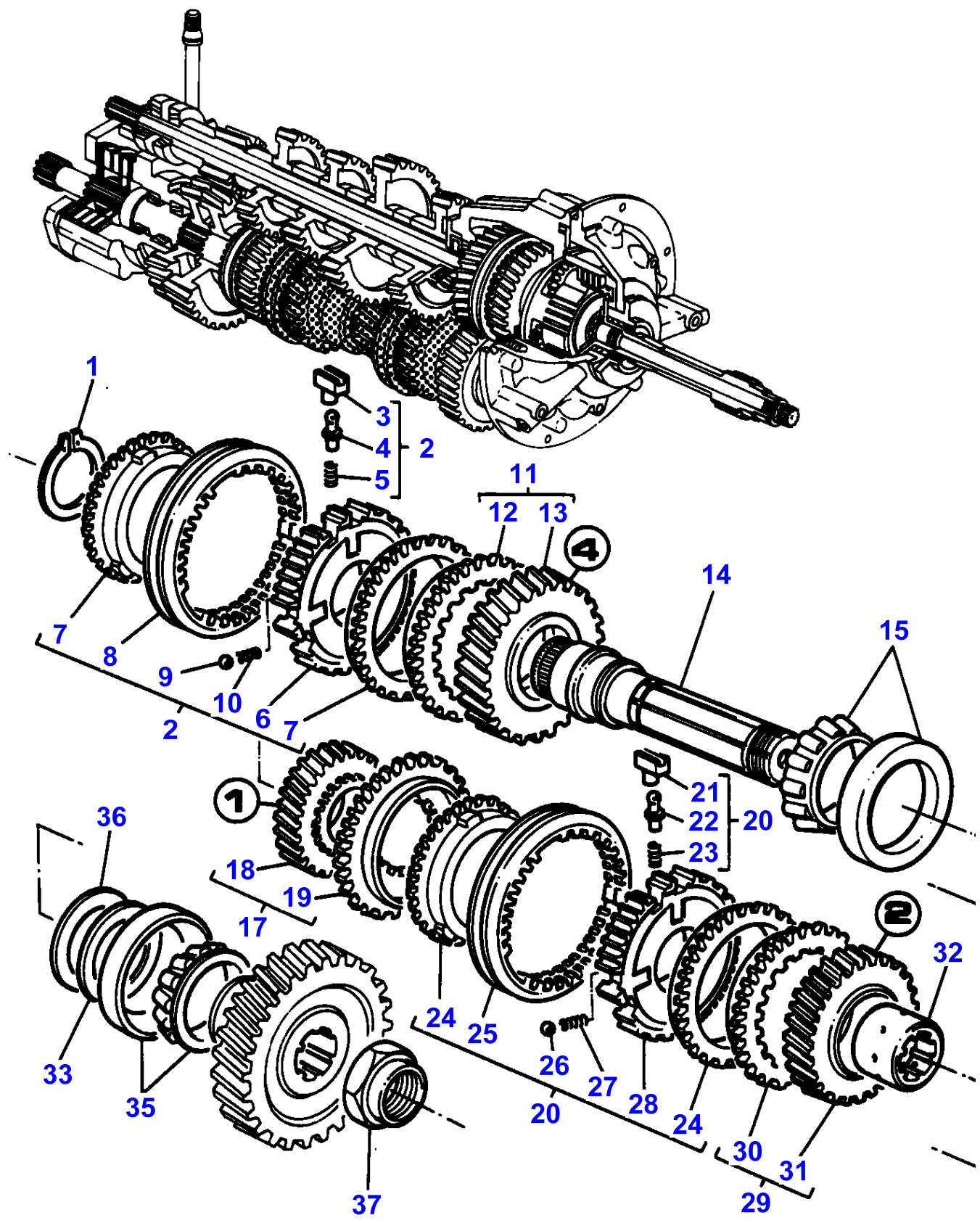
1- AE63-001



16 SPEED MARK 3 TRANSMISSION-COUNTERSHAFT

Item	Part Number	Qty	Description	Comments
1	1614882M2	1	Nut	
2	3405345M91	1	Bearing Taper	
4	3041852M2	X	Shim	Thickness 4,37MM
	3041853M3	X	Shim	Thickness 4,46MM
	3041854M2	X	Shim	Thickness 4,55MM
5	968636M91	1	Bearing Assy	
6	355921X1	1	Ring	
7	3583477M1	1	Pinion	Number of teeth/spines 33
8	3380192M2	1	Spacer	
9	3583479M1	1	Pinion	Number of teeth/spines 28
10	3583478M1	1	Spacer	
11	3380029M2	1	Pinion	Number of teeth/spines 43
12	3042898M1	1	Spacer	
13	831180M1	1	Ring	
14	3042866M1	1	Washer	
15	3582560M1	1	Pinion	Number of teeth/spines 38
16	3042846M1	X	Shim	Thickness 0,20 MM
	3042847M1	X	Shim	Thickness 0,40 MM
	3042848M2	X	Shim	Thickness 1MM
17	3615839M1	1	Shaft	Number of teeth/spines 17

1-AE 62 - 001

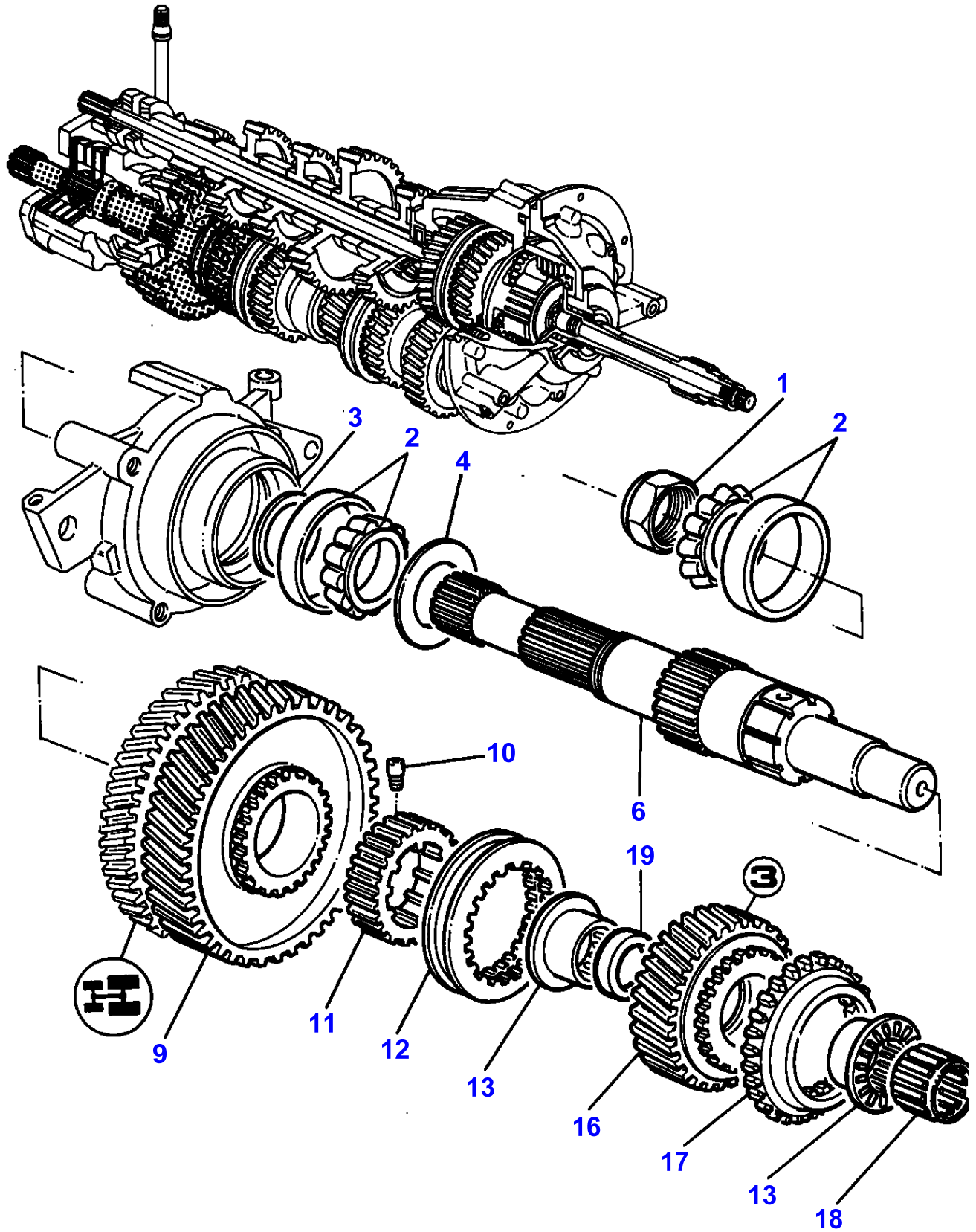


16 SPEED MARK 3 TRANSMISSION-MAIN SHAFT

Item	Part Number	Qty	Description	Comments
1	22783X	1	Circlip	
2	3052776M91	1	Synchro Gear	
3	3033849M1	3	Poppet	(2)
4	3188958M1	3	Ball Pin	(2)
5	3033851M1	3	Spring	(2)
6	3033818M1	1	Hub	(2)
7	3033862M1	2	Ring	(2)
8	3033847M1	1	Slider Bearing	(2)
9	3386520M1	3	Ball	(2)
10	3033893M1	3	Spring	(2)
11	3384808M11	1	Pinion	[A] Number of teeth/spines 38 3384808M91
12	3383627M1	1	Ring	[A] (11) Number of teeth/spines 45
13		1	Pinion	(11) Not serviced, order REF 11
14	3385626M1	1	Shaft	Number of teeth/spines 39
15	968634M91	1	Bearing Assy	Alternative 3010192X91
	3010192X91	1	Bearing Taper	Alternative 968634M91
17	3380917M93	1	Pinion	Number of teeth/spines 17
18	3380015M13	1	Pinion	(17) 3380015M92
19	3042867M3	1	Ring	(17)
20	3052775M91	1	Synchro Gear	
21	3033849M1	3	Poppet	(20)
22	3188958M1	3	Ball Pin	(20)
23	3033851M1	3	Spring	(20)
24	3033862M1	2	Ring	(20)
25	3033847M1	1	Slider Bearing	(20)
26	3386520M1	3	Ball	(20)
27	3033893M1	3	Spring	(20)
28	3045559M1	1	Hub	(20)
29	3582557M11	1	Pinion	[A] Number of teeth/spines 26 3582557M91
30	3383627M1	1	Ring	[A] (29)
31		1	Pinion	(29) Not serviced, order REF 29
32	3380038M1	1	Bush	
33	3383171M1	X	Chock	Thickness 0,05 MM
	3380040M1	X	Shim	Thickness 0,10 MM
	3380041M1	X	Shim	Thickness 0,30 MM
	3380042M1	X	Shim	Thickness 0,50 MM
35	968634M91	1	Bearing Assy	Alternative 3010192X91
	3010192X91	1	Bearing Taper	Alternative 968634M91
36	3383164M1	1	Washer	
37	3381557M1	1	Nut	

[A]
44 SPLINES

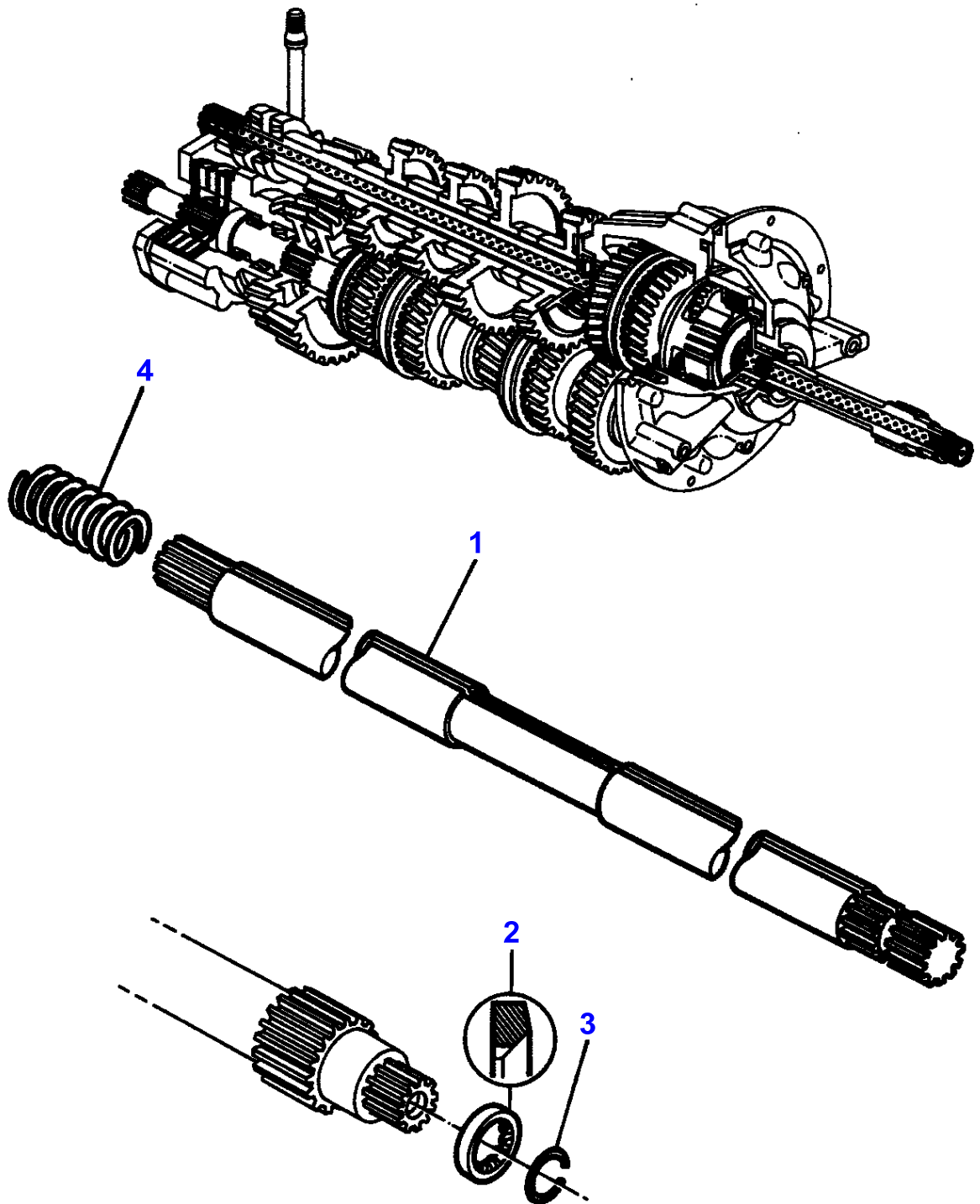
1-AE64-003



16 SPEED MARK 3 TRANSMISSION-OUTPUT SHAFT

Item	Part Number	Qty	Description	Comments
1	1614882M2	1	Nut	Alternative 3380461M1
	3380461M1	1	Nut	Alternative 1614882M1
2	968636M91	2	Bearing Assy	
3	3041853M3	1	Shim	Thickness 4,46 MM
4	3581361M1	X	Shim	Thickness 3,50MM
	3581362M1	X	Shim	Thickness 3,70MM
	3581363M1	X	Shim	Thickness 3,85MM
	3385639M1	X	Shim	Thickness 4MM
	3581364M1	X	Shim	Thickness 4,15MM
	3581365M1	X	Shim	Thickness 4,30MM
	3385640M1	X	Shim	Thickness 4,40MM
6	3385625M1	1	Shaft	
9	3615837M91	1	Pinion	Number of teeth/spines 48
10	3385635M2	1	Pin	
11	1619205M2	1	Hub	
12	3385628M2	1	Coupler	
13	3580715M1	2	Bearing Assy	
16	3580714M1	1	Pinion	Number of teeth/spines 28
17	3383627M1	1	Ring	
18	3385633M1	1	Bearing Assy	
19	3583374M1	1	Spacer	

1 - AE65 - 003

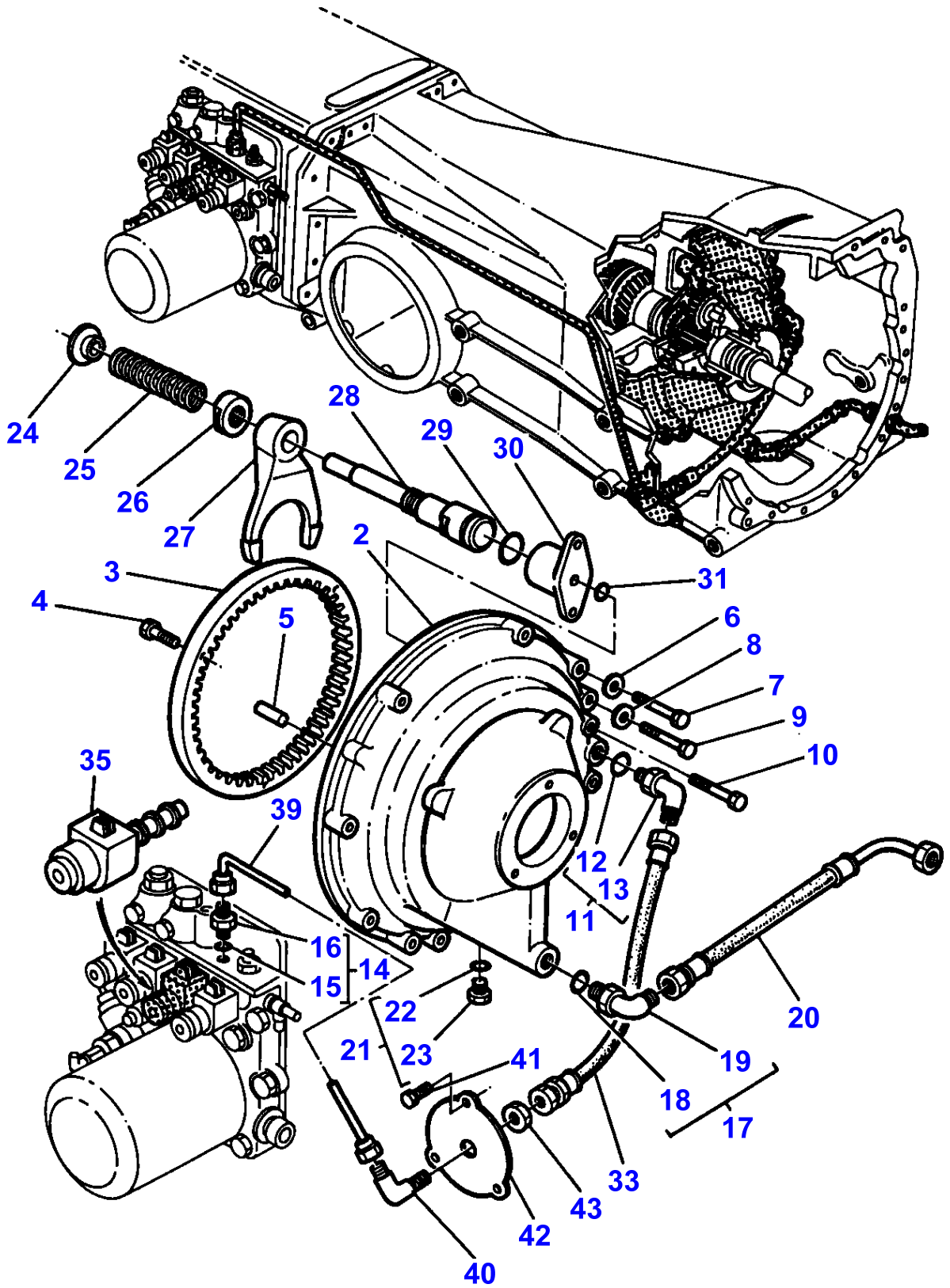


16 SPEED MARK 3 TRANSMISSION-IPTO SHAFT

Item	Part Number	Qty	Description	Comments
1		1	Shaft	[A] Number of teeth/spines 36 Up to Serial or Engine Number B328031
1	3619775M3	1	Shaft	From Serial or Engine Number B328032 Up to Serial or Engine Number C123025
1	3712735M1	1	Shaft	From Serial or Engine Number C123026
2	3387384M3	1	Washer	
3	358959X1	1	Ring	
4	3387632M2	1	Spring	Up to Serial or Engine Number B328031
	3619776M1	1	Spring	From Serial or Engine Number B328032

[A]
UP TO B328031 ORDERED 3712777M91

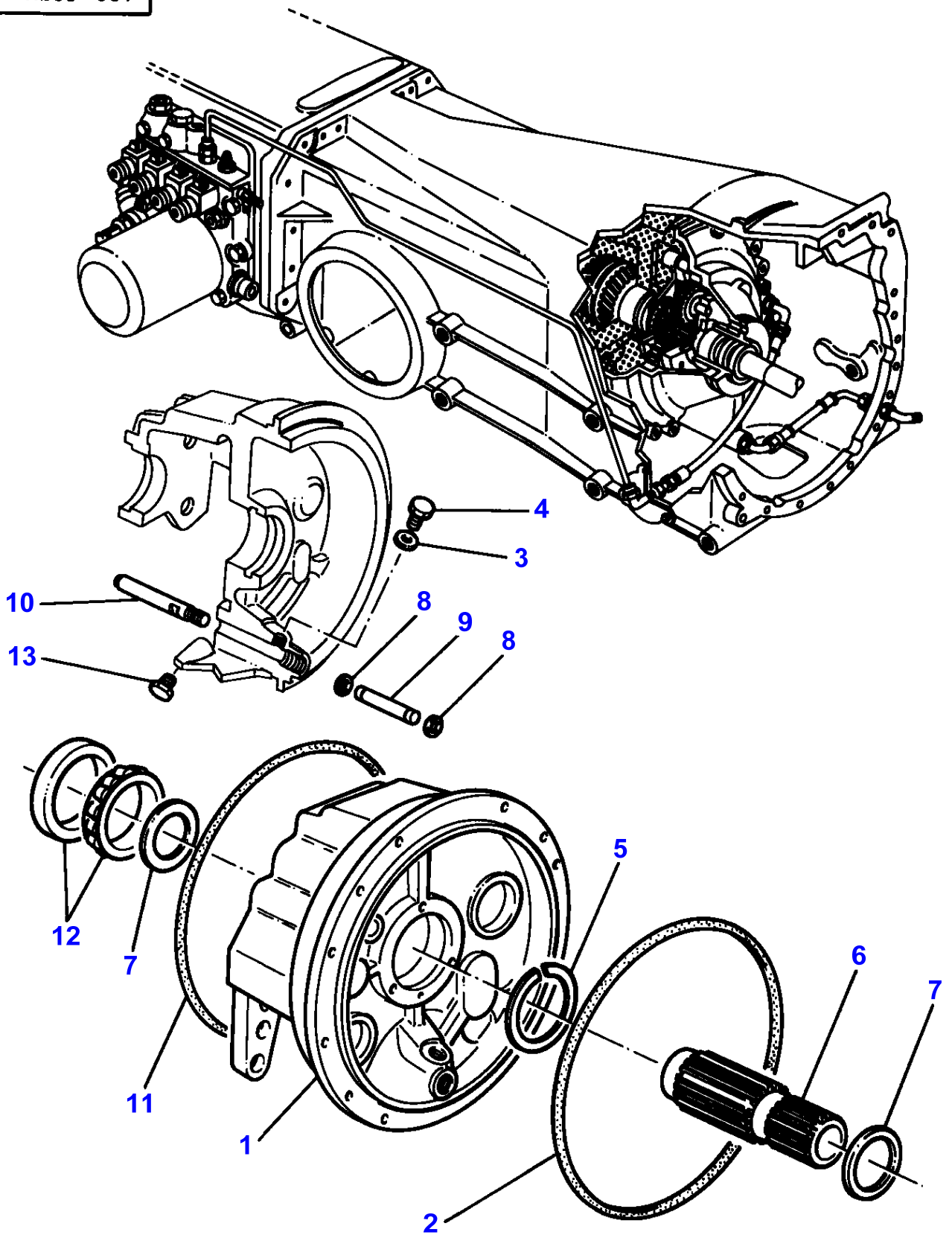
1-AE67-002



16 SPEED MARK 3 TRANSMISSION-FRONT COVER CREEPER GEAR

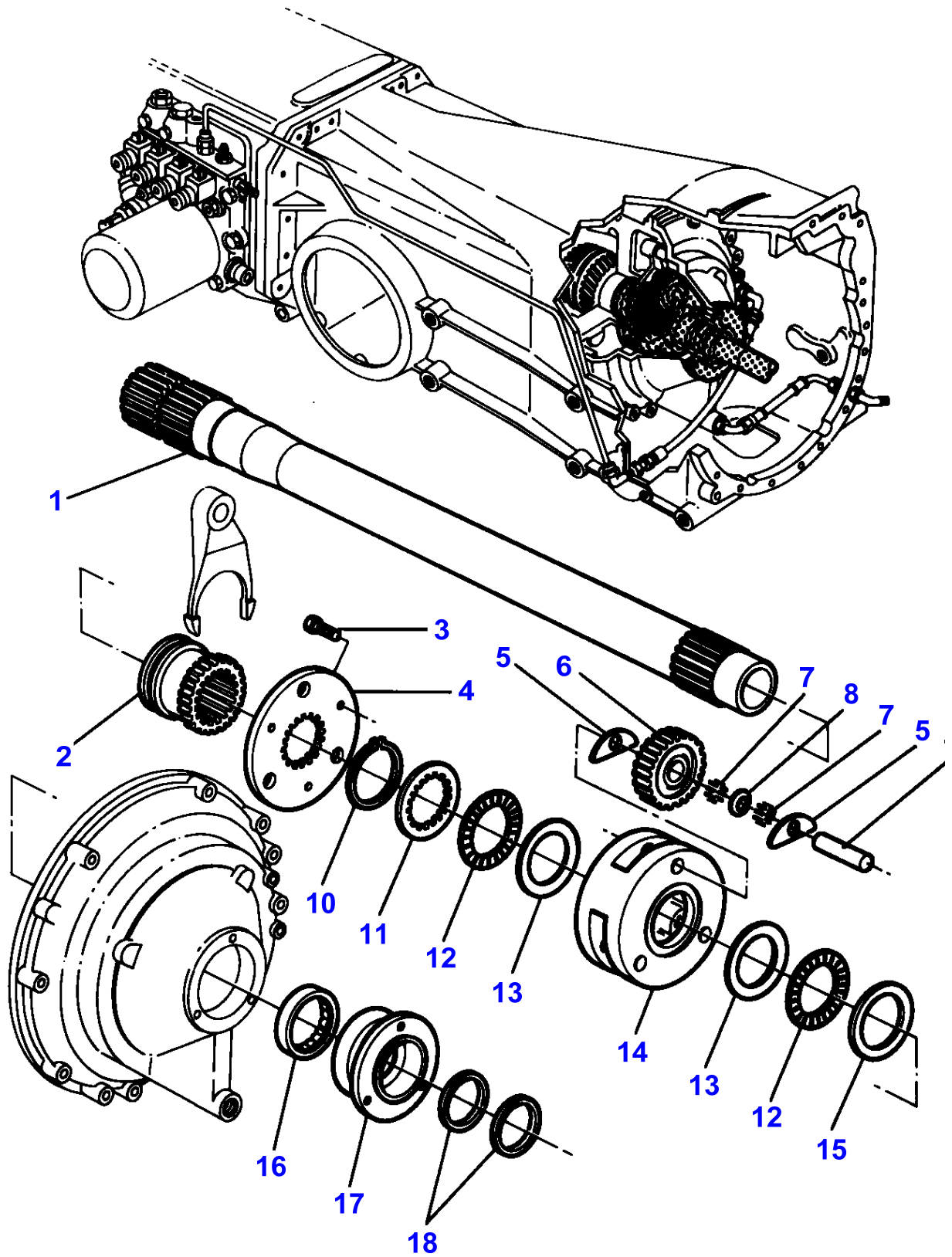
Item	Part Number	Qty	Description	Comments
2	3387212M1	1	Cover	
3	3380698M1	1	Annular Gear	
4	369189X1	3	Screw	
5	3382748M1	1	Locator	
6	339376X1	8	Lock Washer	
7	354267X1	8	Bolt Unc	
8	339374X1	2	Lock Washer	
9	339010X1	2	Bolt Metric	
10	339244X1	2	Bolt Metric	
11	3019412X91	1	Elbow	
12	3019395X1	1	O Ring	(11)
13	3019413X1	1	Union	(11)
14	3019379X91	1	Union	
15		1	Union	(14) Not serviced, order ref 14
16	3019395X1	1	O Ring	(14)
17	358762X91	1	Elbow	
18	1852568M1	1	O Ring	(17)
19		1	Elbow Nipple	(17) Not serviced, order REF 17
20	3387624M1	1	Hydr.Hose Assy.	
21	358721X91	1	Plug	
22	831494M1	1	Seal	(21)
23		1	Plug	(21) Not serviced, order REF 21
24	3380695M1	1	Spring Pot	
25	3380707M1	1	Spring	
26	3380696M1	1	Nut	
27	3380686M2	1	Fork	
28	3380693M1	1	Stem	
29	195632M1	1	O Ring	
30	3383995M1	1	Sleeve	
31	1441121X1	1	O Ring	
33	3387131M91	1	Hydr Hose	
35		1	Electrovalve	See Page - Reference Number 351/1
39	3386932M95	1	Tube	
40	786224M1	1	Elbow	
41	362429X1	3	Screw	Diameter 3/8" Length 16MM
41	339124X1	3	Screw Metric	M8X16
42	3387132M1	1	Cover	
43	355830X1	1	Locknut	

1-AE68-001



Item	Part Number	Qty	Description	Comments
1	3383305M1	1	Cover	
2	3388928M1	1	O Ring	
3	831452M2	1	O Ring	Up to Serial or Engine Number
4	357194X1	1	Plug	Up to Serial or Engine Number
5	353063X1	1	Clip	
6	3380284M11	1	Shaft	
7	3380242M2	2	Washer	
8	1441141X1	2	O Ring	
9	3380299M1	1	Tube	
10	3381374M1	1	Tube	
11	3388928M1	1	O Ring	
12	3405344M91	1	Bearing Taper	
13	356040X1	1	Plug	

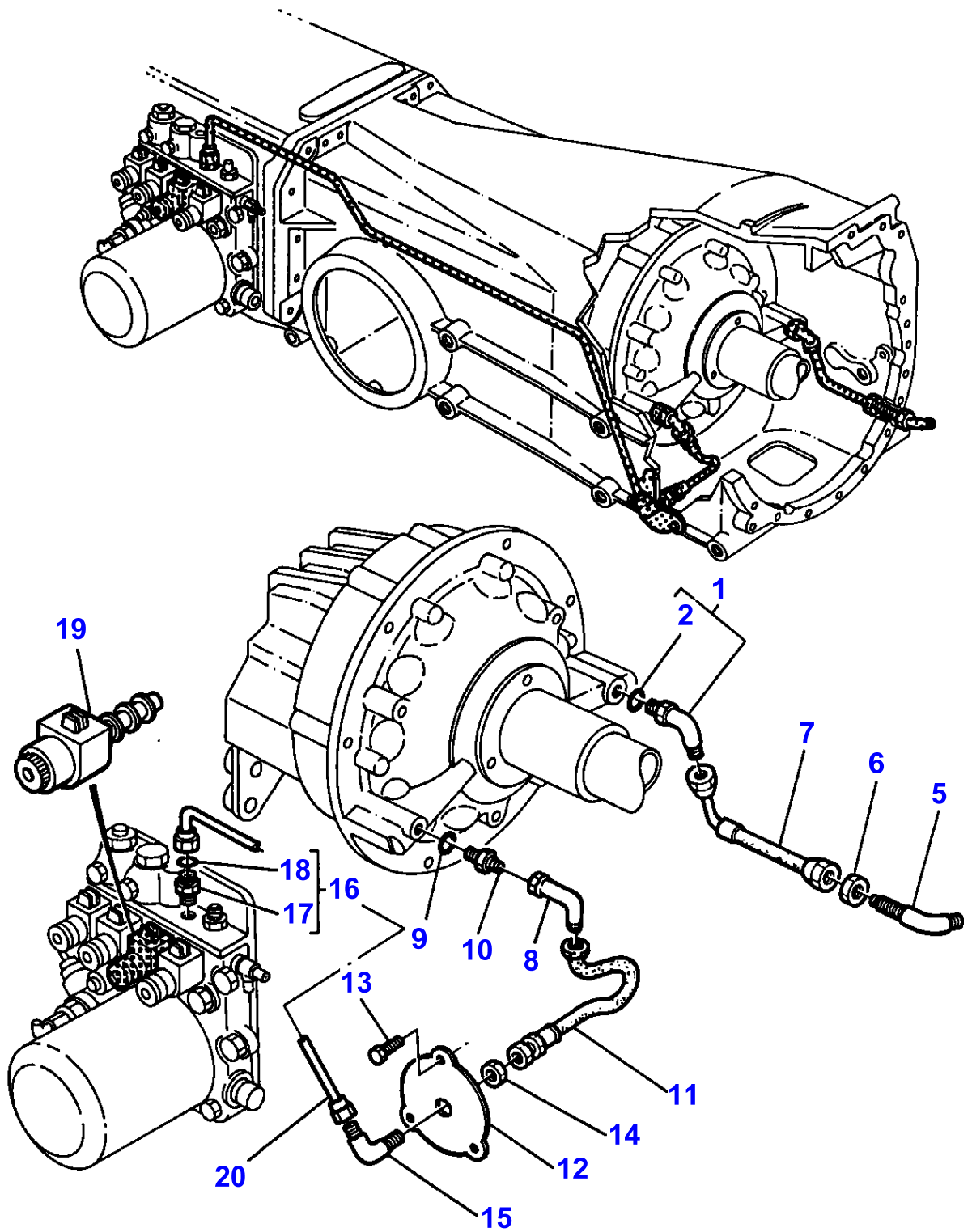
1-AE69-001



16 SPEED MARK 3 TRANSMISSION-CREEPER GEAR

Item	Part Number	Qty	Description
1	3388258M3	1	Shaft
2	3380694M2	1	Sleeve
3	339081X1	3	Screw Metric
4	3380701M1	1	Washer
5	1612712M3	6	Washer
6	3380687M2	3	Pinion
7	3380697M1	174	Needle
8	1612713M1	3	Washer
9	3380685M2	3	Clevis Pin
10	355919X1	1	Snapping
11	3380728M1	1	Washer
12	3380689M1	2	Bearing Thrust
13	3380691M1	2	Washer
14	3380699M2	1	Carrier
15	3380690M1	1	Washer
16	1612725M1	1	Bearing Assy
17	3383970M1	1	Bearing Carrier
18	3052323M1	2	Gasket

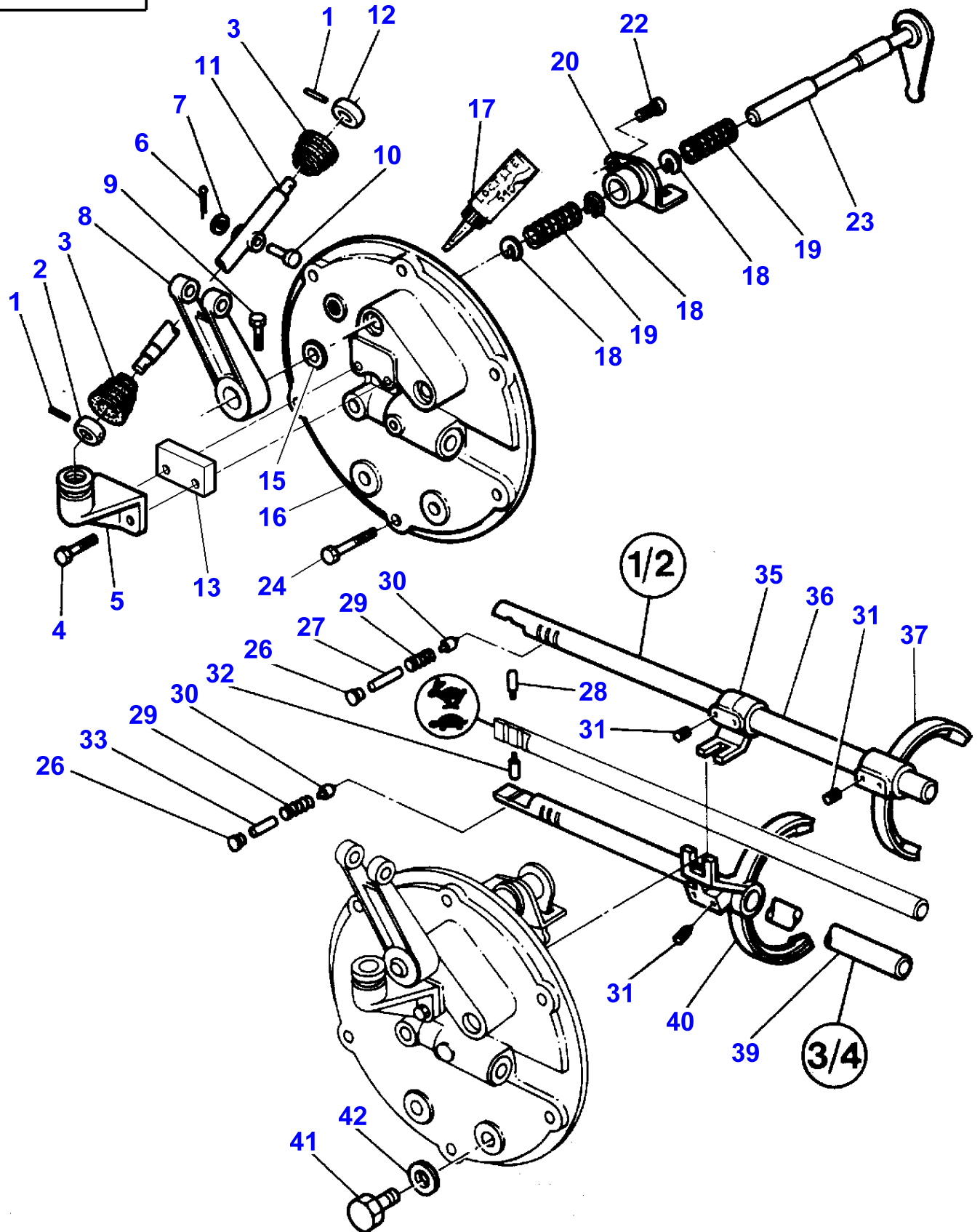
i-AE70-004



16 SPEED MARK 3 TRANSMISSION-LUBRICATION GAMMA 2 FEEDING

Item	Part Number	Qty	Description	Comments
1	3019414X91	1	Union	
2	3019396X1	1	O Ring	(1)
5	3052699M2	1	Union	
6	358706X1	1	Nut	
7	3616088M1	1	Hydr Hose	
8	364603X1	1	Elbow	
9	3019396X1	1	O Ring	
10	3019574X1	1	Union	
11	3383170M91	1	Hydr Hose	
12	3387132M1	1	Cover	
13	362429X1	3	Screw	Diameter 3/8" Length 16MM
13	339124X1	3	Screw Metric	M8X16
14	355830X1	1	Locknut	
15	786224M1	1	Elbow	
16	3019379X91	1	Union	
17		1	Union	(16) Not serviced, order ref 16
18	3019395X1	1	O Ring	(16)
19		1	Electrovalve	See Page - Reference Number 351/1
20	3386932M95	1	Tube	

1-AE66-012



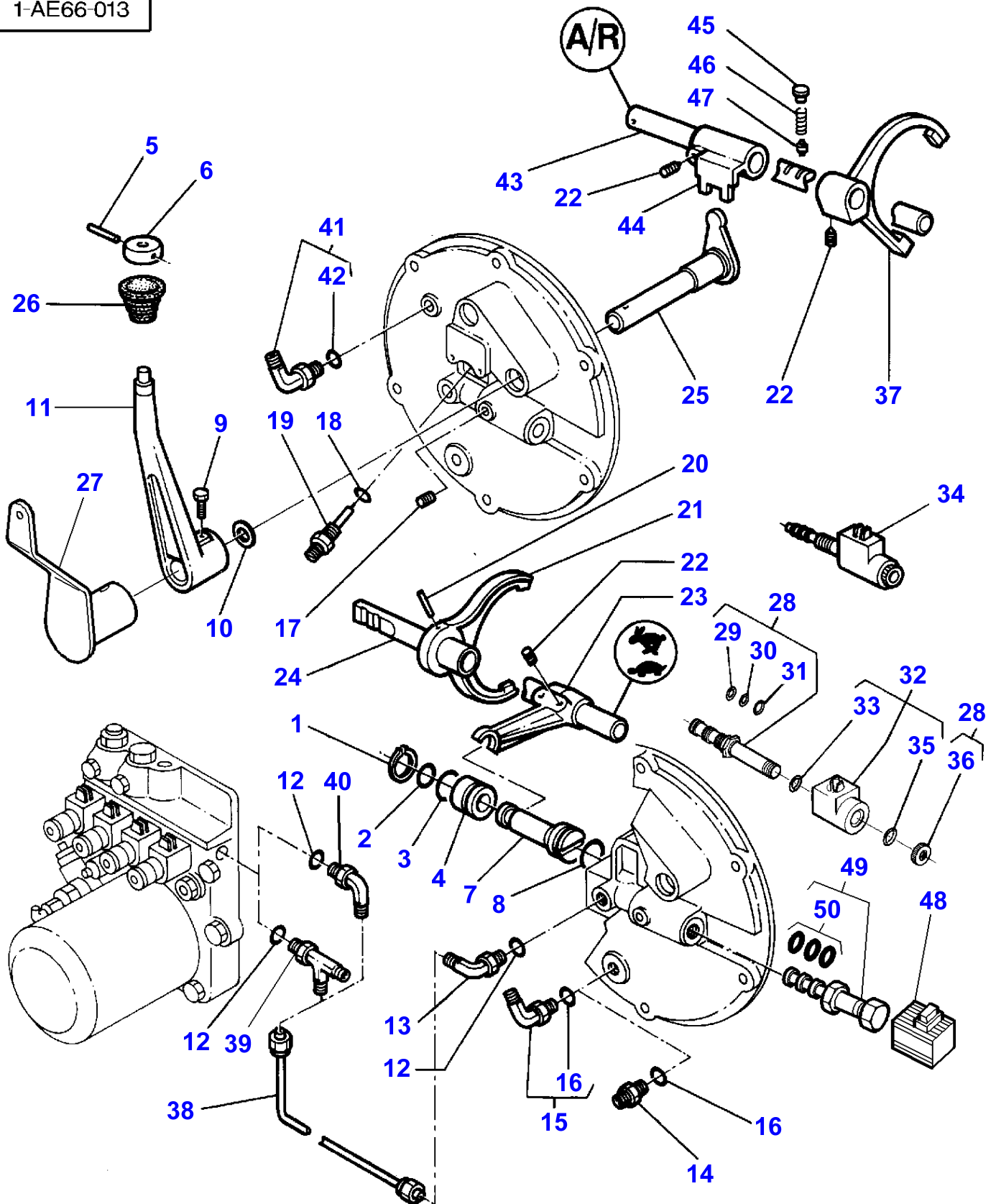
16 SPEED MARK 3 TRANSMISSION-INTERNAL CONTROL

Item	Part Number	Qty	Description	Comments
1	1440389X1	2	Pin	
2	3383533M1	1	Toggle	
3	3385863M1	2	Bellows	
4	339123X1	2	Screw Metric	M8X20
	391176X1	2	Screw Metric	[A,B] M8X40
5	3383526M1	1	Support	
6	354066X1	1	Pin	
7	390735X1	1	Nut	
8	3385791M1	1	Conrod	
9	3771408M1	1	Screw	
10	3383531M1	1	Clevis Pin	
11	3385793M1	1	Lever	
12	3387683M1	1	Toggle	
13	3713052M1	1	Spacer	[A,B]
15	3790170M1	1	Seal	
16	3618243M1	1	Cover	
	3618849M11	1	Cover	[B] 3618849M91
17	1633270M3	1	Loctite	
18	3386414M1	3	Spring Pot	
19	3387684M1	2	Spring	
20	3386412M2	1	Fork	
22	339337X1	1	Screw Metric	M8X30
23	3386413M1	1	Stem	
	3713050M1	1	Stem	[A,B]
24	354262X1	6	Bolt Unc	
26	1441772X1	2	Plug	
27	1611670M1	1	Spacer	
28	1610890M1	1	Latch	
29	191221M1	2	Spring	
30	3322463M2	2	Journal	
31	3386683M1	6	Screw Special	
32	1610891M1	1	Latch	
33	1611669M1	1	Spacer	
35	3385643M1	1	Selector	
36	3385644M1	1	Stem	
37	3045560M3	1	Fork	
39	3385621M2	1	Stem	
40	3385620M3	1	Fork	
41		1	Plug	See Page - Reference Number 366/1
42		1	Gasket	See Page - Reference Number 366/1

[A]
FOR CHASSIS U.S.A

[B]
WITH HEAVY DUTY TRANSMISSION

1-AE66-013



16 SPEED MARK 3 TRANSMISSION-INTERNAL CONTROL

Item	Part Number	Qty	Description	Comments
1	390936X1	1	Circlip	
	390933X1	1	Circlip	[D]
2	195631M1	1	Seal	
	1006335M1	1	O Ring	[D]
3	1001465M1	1	Ring	
	195876M1	1	O Ring	[D]
4	3580069M1	1	Bush	
	3618872M1	1	Bush	[D]
5	1440389X1	1	Pin	
6	3387683M1	1	Toggle	
7	3580070M1	1	Piston	
	3618871M1	1	Piston	[D]
8	1001489M1	1	O Ring	
	1001465M1	1	Ring	[D]
9	3771408M1	1	Screw	
10	3790170M1	1	Seal	
11	3385584M1	1	Stem	
12	3019395X1	1	O Ring	
13	3019413X1	1	Union	
14	3019382X1	1	Union	3/4".16 M16X1,5
15	3019414X91	1	Union	3/4".16 M16X1,5
16	3019396X1	1	O Ring	(15)
17	356039X1	1	Plug	365332X1
18	1440012X1	1	Gasket	
19	3383546M1	1	Switch,Indirect	
20	390950X1	1	Pin	
21	3385683M5	1	Fork	
	3712862M1	1	Fork	[D]
22	3386683M1	5	Screw Special	
23	3385682M2	1	Selector	
	3618865M1	1	Selector	[D]
24	3580071M2	1	Stem	
	3618882M2	1	Stem	[D] Up to Serial or Engine Number E277021
24	3714935M1	1	Stem	[D] From Serial or Engine Number E277022
25	3385769M2	1	Stem	
26	3385863M1	1	Bellows	
27	3713054M93	1	Lever	[D,E]
28	3616588M1	1	Spool	Up to Serial or Engine Number B308026
29	3104856M1	1	O Ring	(28) Up to Serial or Engine Number B308026
30	3104855M1	1	O Ring	(28) Up to Serial or Engine Number B308026
31	1852568M1	1	O Ring	(28) Up to Serial or Engine Number B308026
32	3616590M1	1	Solenoid	Up to Serial or Engine Number A335020
	3616587M1	1	Solenoid	[B,C] From Serial or Engine Number A335021 Up to Serial or Engine Number B308026
33	3105500M1	1	O Ring	(32)
34		1	Electrovalve	Not serviced, order REF28 ET 32
35	3105499M1	1	O Ring	(32) Up to Serial or Engine Number B308026
36	3105498M1	1	Nut	(28) Up to Serial or Engine Number B308026
37	3380235M1	1	Fork	
	3385899M4	1	Fork	[A]
	3714925M1	1	Fork	[A]
38	3386934M91	1	Tube	[F]
39	3019623X91	1	Union	
40	3019412X91	1	Elbow	
41	3019418X91	1	Union	M22X1,5
42	3019398X1	1	O Ring	(41)
43	3385623M2	1	Stem	
	3616080M2	1	Stem	[A]
44	3385622M2	1	Selector	
45	1441772X1	1	Plug	

MASSEY FERGUSON**MF 3690 TRACTOR - 1637223****1637223****160****16 SPEED MARK 3 TRANSMISSION-INTERNAL CONTROL**

Item	Part Number	Qty	Description	Comments
46	191221M1	1	Spring	
47	3322463M2	1	Journal	
48	3619763M1	1	Solenoid	From Serial or Engine Number B308027
49	3619762M1	1	Spool	From Serial or Engine Number B308027
50	3900994M91	1	Kit, Joint	(49) From Serial or Engine Number B308027

[A]
WITH DYNASHIFT

[B]
NEW CONNECTION

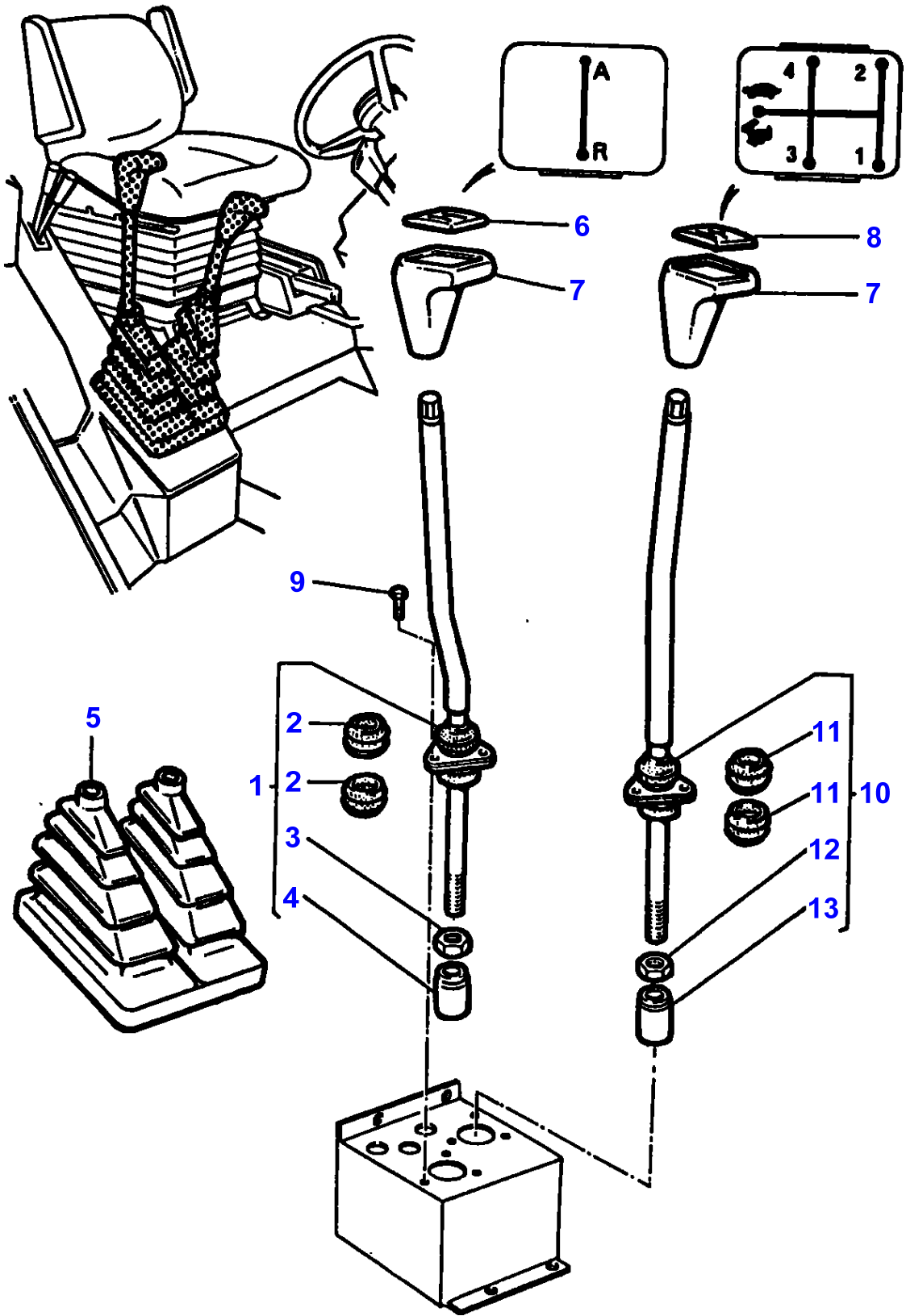
[C]
EXCEPT TRACTOR NO A336004

[D]
WITH HEAVY DUTY TRANSMISSION

[E]
FOR CHASSIS U.S.A

[F]
FOR SPEEDSHIFT

1-AE76-002



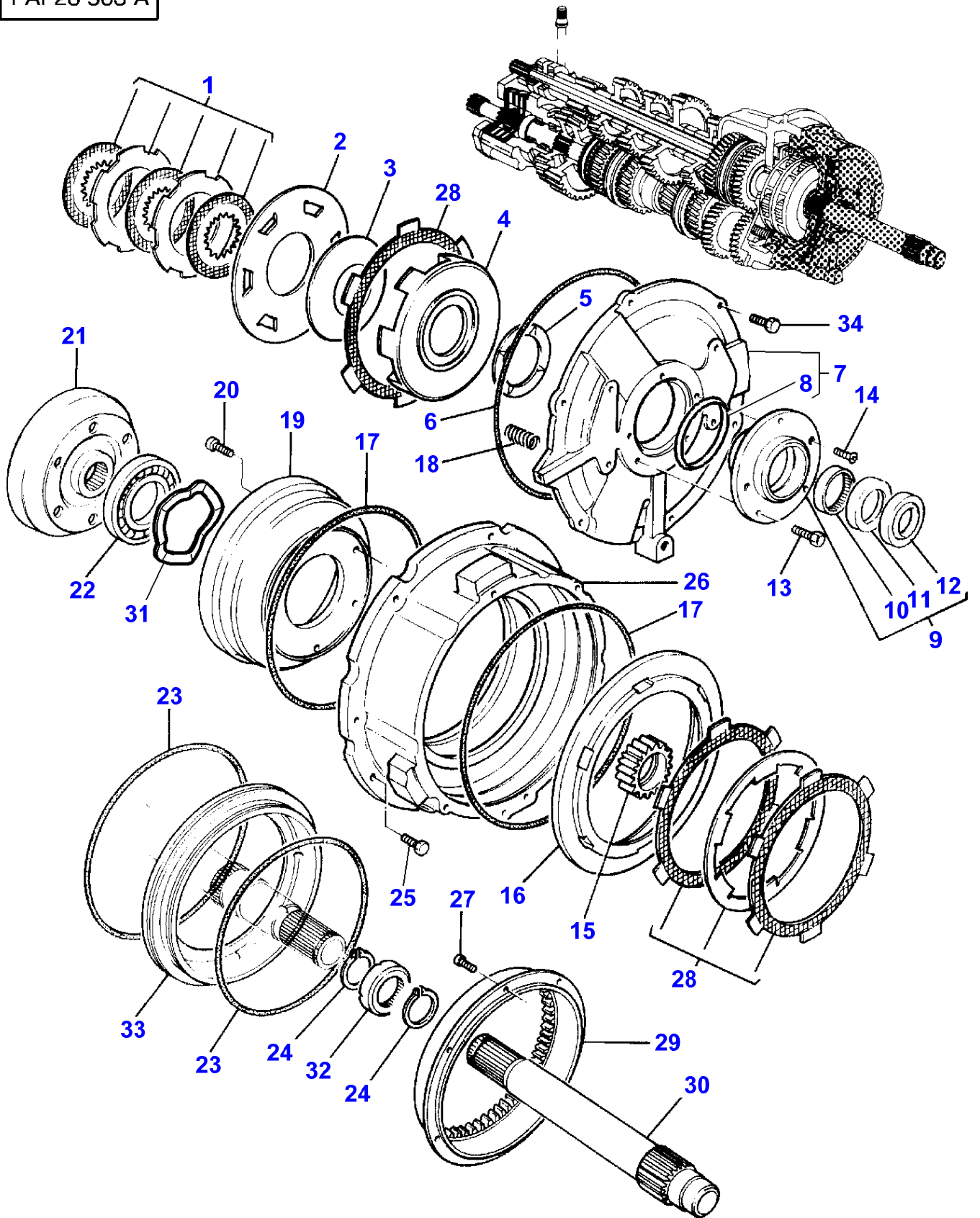
16 SPEED MARK 3 TRANSMISSION-SHIFT LEVERS

Item	Part Number	Qty	Description	Comments
1	3389473M92	1	Lever	
		X	Lever	[A,B]
2	3389506M1	2	Bellows	(1)
3	339592X1	1	Nut Metric	(1)
				Diameter M20 X 1,5
4	3388603M1	1	Guide	(1)
5	3388796M2	1	Bellows	
6	3388836M3	1	Note Plate	
7	3387626M2	2	Knob	
8	3388837M1	1	Note Plate	
9	339124X1	6	Screw Metric	
10	3389478M92	1	Lever	
		X	Lever	[A,B]
11	3389506M1	2	Bellows	(10)
12	339592X1	1	Nut Metric	(10)
				Diameter M20 X 1,5
13	3388603M1	1	Guide	(10)

[A]
AUSTRIA

[B]
PROCURE LOCALLY

1-AF28-503-A



DYNASHIFT

Item	Part Number	Qty	Description	Comments
1	3900259M91	1	Parts Pack	
2	3616749M1	1	Plate	
3	3619014M1	1	Cup Spring	
4	3617401M5	1	Housing	
5	3617352M3	1	Washer	
6	378291X1	1	O Ring	
7	3615243M12	1	Cover	3615243M92
8	366271X1	1	Seal	(7) From Serial or Engine Number B309001
9	3615460M14	1	Support	3615460M94
10	3382235M1	1	Needle Cage	(9)
11	3382236M1	1	Seal	(9)
12	3382237M1	1	Seal	(9)
13	339124X1	3	Screw Metric	
14	1440947X1	2	Screw	
15	3712431M1	1	Hub	Repairs and replaces 3615227M1
16	3615246M2	1	Piston	
17	3900245M91	1	Kit, Joint	
18	3900249M91	1	Kit, Spring	
19	3712347M1	1	Housing	Repairs and replaces 3615229M2 Up to Serial or Engine Number C293005
19	3712347M2	1	Housing	From Serial or Engine Number C293006
20	3900364M92	1	Kit, Screw	M8X20 Up to Serial or Engine Number C069039
20	3900928M91	1	Kit, Screw	M8X30 From Serial or Engine Number C069040
21	3615226M2	1	Annular Gear	
22	3010128X1	1	Bearing Assy	
23	3900246M91	1	Kit, Joint	
24	3900255M91	1	Kit, Ring	
25	3010347X1	8	Screw	
26	3615450M91	1	Spacer	Up to Serial or Engine Number C278013
	3615450M12	1	Spacer	From Serial or Engine Number C278014 3615450M92
27	3900251M92	1	Kit, Screw	M6X16 Up to Serial or Engine Number C299004
27	3010479X1	6	Screw	From Serial or Engine Number C299005 M6X20
28	3900258M91	1	Parts Pack	
29	3615225M2	1	Annular Gear	
30	3615452M3	1	Shaft	
	3712681M2	1	Shaft	[C,D]
31	3712430M1	1	Washer	From Serial or Engine Number C005003
32	3616503M2	1	Stop	
33	3615247M1	1	Piston	
34	3010182X1	6	Screw	Up to Serial or Engine Number C278013 M8X20
34	3010480X1	6	Screw	From Serial or Engine Number C278014 M8X30

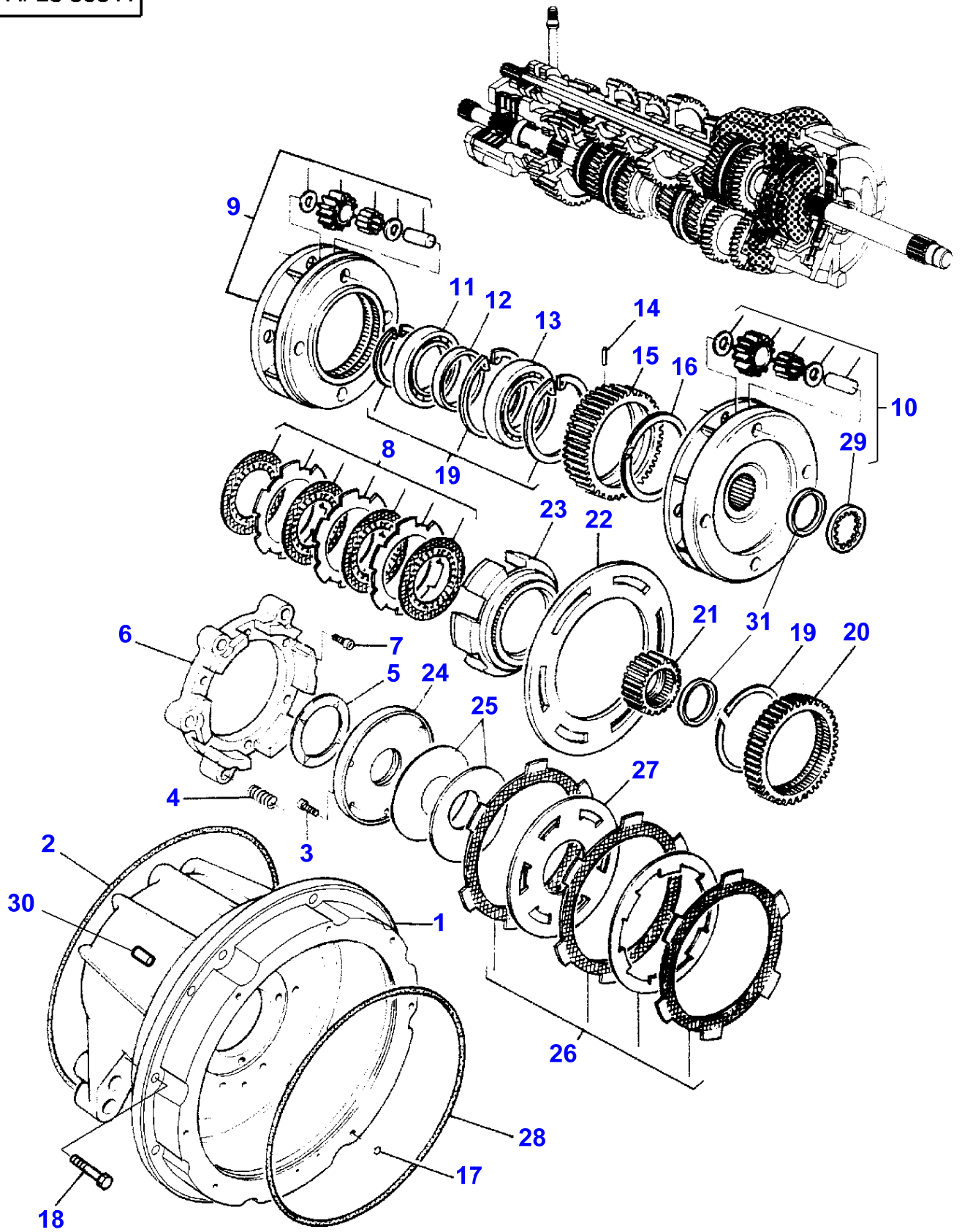
[A]
SINGLE CLUTCH

[B]
DUAL CLUTCH

[C]
WITH HEAVY DUTY TRANSMISSION

[D]
FOR CHASSIS U.S.A

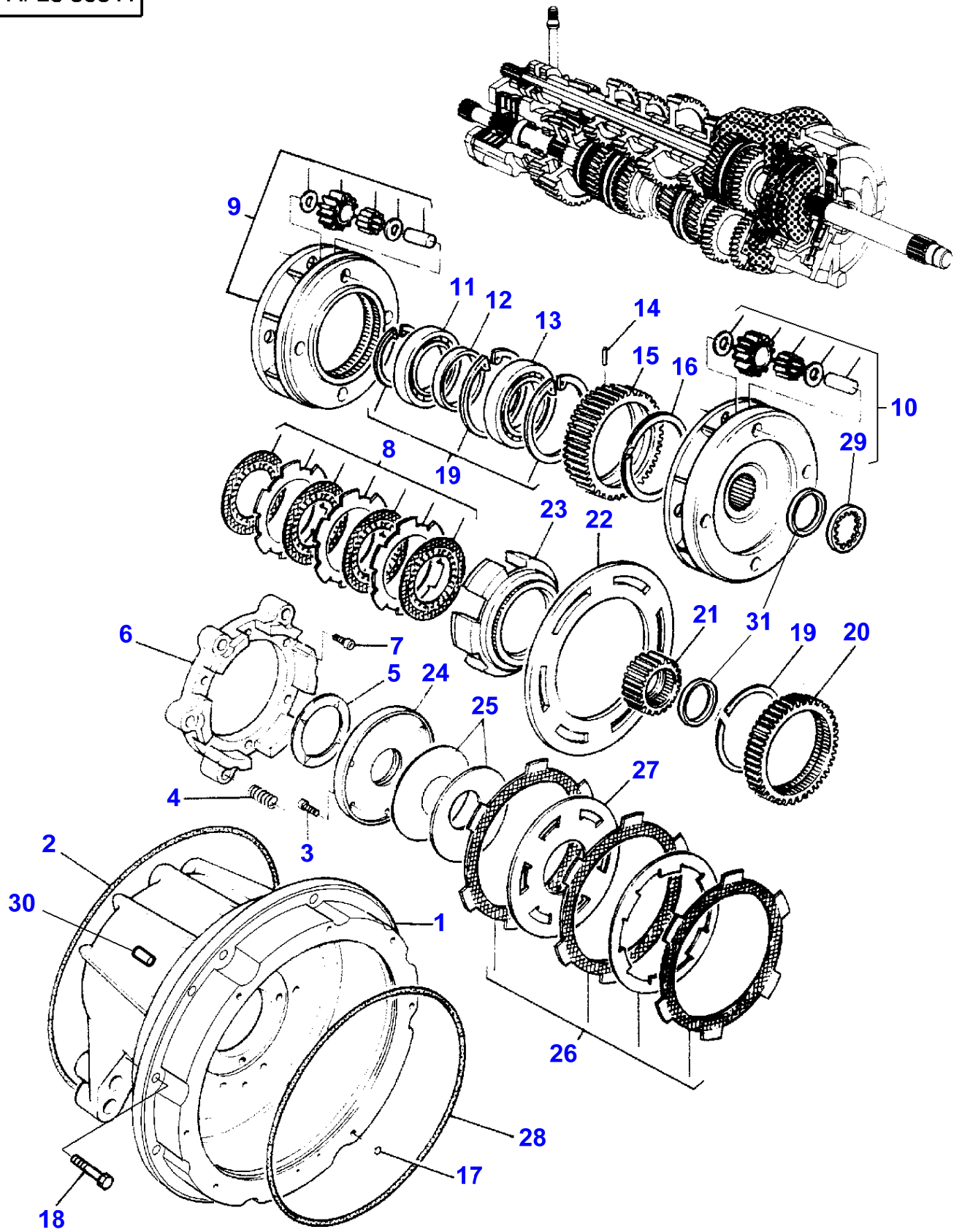
1-AF28-505-A



DYNASHIFT

Item	Part Number	Qty	Description	Comments
1	3617677M12	1	Case Assy	3617677M92
2	3388928M1	1	O Ring	
3	3900251M92	1	Kit, Screw	Up to Serial or Engine Number C299004 M6X16
3	3010479X1	6	Screw	From Serial or Engine Number C299005 M6X20
4	3900252M91	1	Kit, Spring	
5	3617352M3	1	Washer	
6	3617349M2	1	Housing	
7	3010346X1	6	Screw	M8X20
8	3900248M91	1	Kit, Clutch	
9	3618723M10	1	Carrier	3618723M00
10	3618722M12	1	Carrier	3618722M0A
11	3010128X1	1	Bearing Assy	
12	3615444M1	1	Spacer	
13	3010128X1	1	Bearing Assy	
14	3900257M91	1	Pin	
15	3615232M2	1	Planet	
16	3617193M1	1	Ring	
17	1440011X1	3	O Ring	
18	353691X1	8	Screw Unc	3/8X25
19	3900256M91	1	Kit, Ring	
20	3615236M1	1	Planet	
21	3712354M1	1	Hub	Repairs and replaces 3615462M2
22	3617343M1	1	Plate	
23		1	Housing	Up to Serial or Engine Number B126006 For Italy only or any text in Italian only 3618946M00
23	3618911M1	1	Case Assy	From Serial or Engine Number B126007 Up to Serial or Engine Number C299004
23	3618911M2	1	Case Assy	From Serial or Engine Number C299005
24	3617353M3	1	Cover	
25		2	Cup Spring	Up to Serial or Engine Number B126006 Not serviced, order 3618946M00
25	3619015M1	2	Cup Spring	From Serial or Engine Number B126007
26	3900247M91	1	Kit, Clutch	
27	3617345M1	1	Plate	
28	365784X1	1	Ring	
29	3619913M1	1	Washer	(10) From Serial or Engine Number B320005
30	1611168M4	1	Centraliser	
31	3615467M1	X	Chock	Thickness 1,2MM
	3615468M1	X	Chock	Thickness 0,4MM
	3619144M1	X	Chock	Thickness 0,2MM
	3712691M1	X	Chock	Thickness 0,3MM

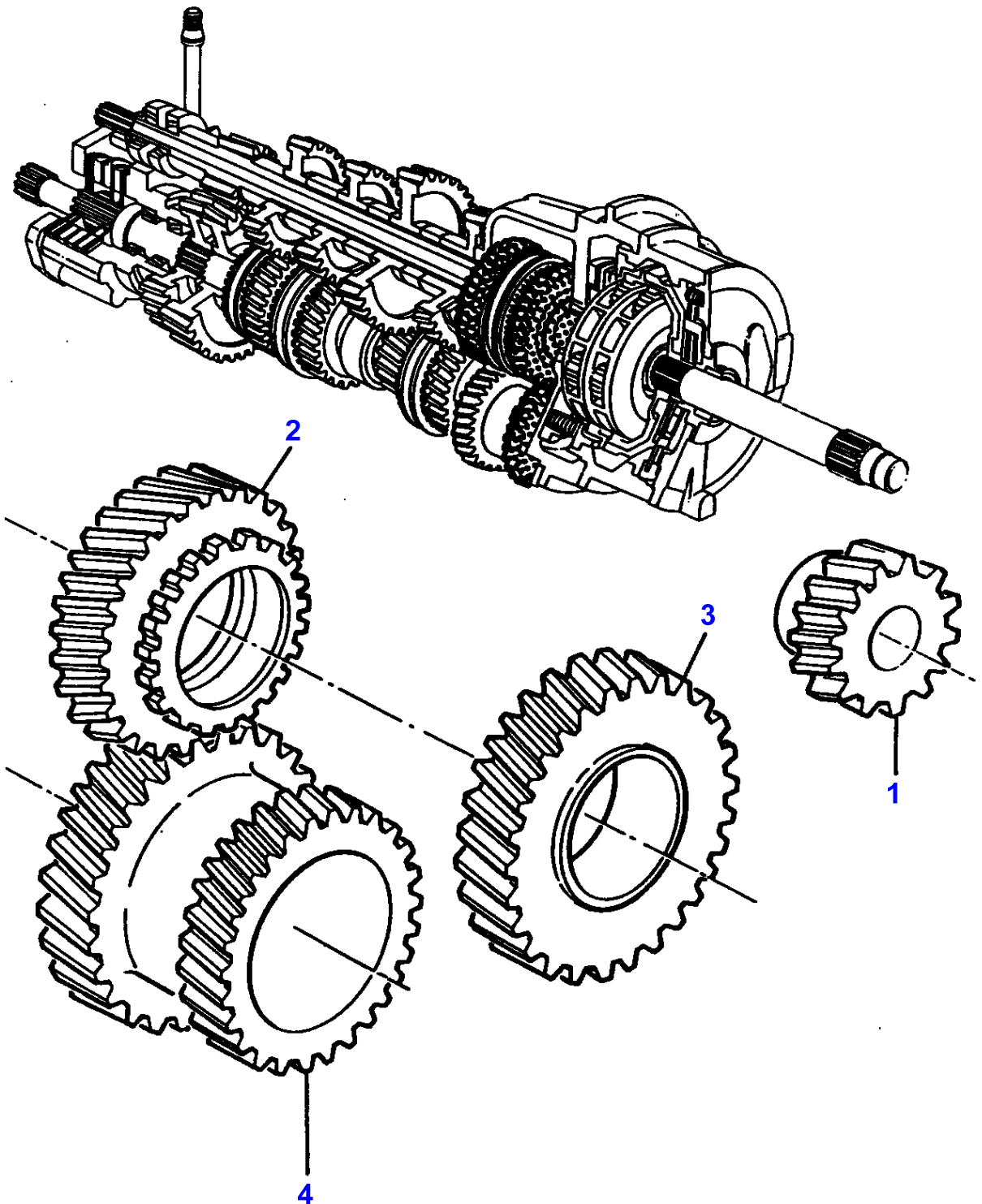
1-AF28-505-A



DYNASHIFT

Item	Part Number	Qty	Description	Comments
1	3617677M12	1	Case Assy	3617677M92
2	3388928M1	1	O Ring	
3	3900251M92	1	Kit, Screw	Up to Serial or Engine Number C299004 M6X16
3	3010479X1	6	Screw	From Serial or Engine Number C299005 M6X20
4	3900252M91	1	Kit, Spring	
5	3617352M3	1	Washer	
6	3617349M2	1	Housing	
7	3010346X1	6	Screw	M8X20
8	3900248M91	1	Kit, Clutch	
9	3618723M10	1	Carrier	3618723M00
10	3618722M12	1	Carrier	3618722M0A
11	3010128X1	1	Bearing Assy	
12	3615444M1	1	Spacer	
13	3010128X1	1	Bearing Assy	
14	3900257M91	1	Pin	
15	3615232M2	1	Planet	
16	3617193M1	1	Ring	
17	1440011X1	3	O Ring	
18	353691X1	8	Screw Unc	3/8X25
19	3900256M91	1	Kit, Ring	
20	3615236M1	1	Planet	
21	3712354M1	1	Hub	Repairs and replaces 3615462M2
22	3617343M1	1	Plate	
23		1	Housing	Up to Serial or Engine Number B126006 For Italy only or any text in Italian only 3618946M00
23	3618911M1	1	Case Assy	From Serial or Engine Number B126007 Up to Serial or Engine Number C299004
23	3618911M2	1	Case Assy	From Serial or Engine Number C299005
24	3617353M3	1	Cover	
25		2	Cup Spring	Up to Serial or Engine Number B126006 Not serviced, order 3618946M00
25	3619015M1	2	Cup Spring	From Serial or Engine Number B126007
26	3900247M91	1	Kit, Clutch	
27	3617345M1	1	Plate	
28	365784X1	1	Ring	
29	3619913M1	1	Washer	(10) From Serial or Engine Number B320005
30	1611168M4	1	Centraliser	
31	3615467M1	X	Chock	Thickness 1,2MM
	3615468M1	X	Chock	Thickness 0,4MM
	3619144M1	X	Chock	Thickness 0,2MM
	3712691M1	X	Chock	Thickness 0,3MM

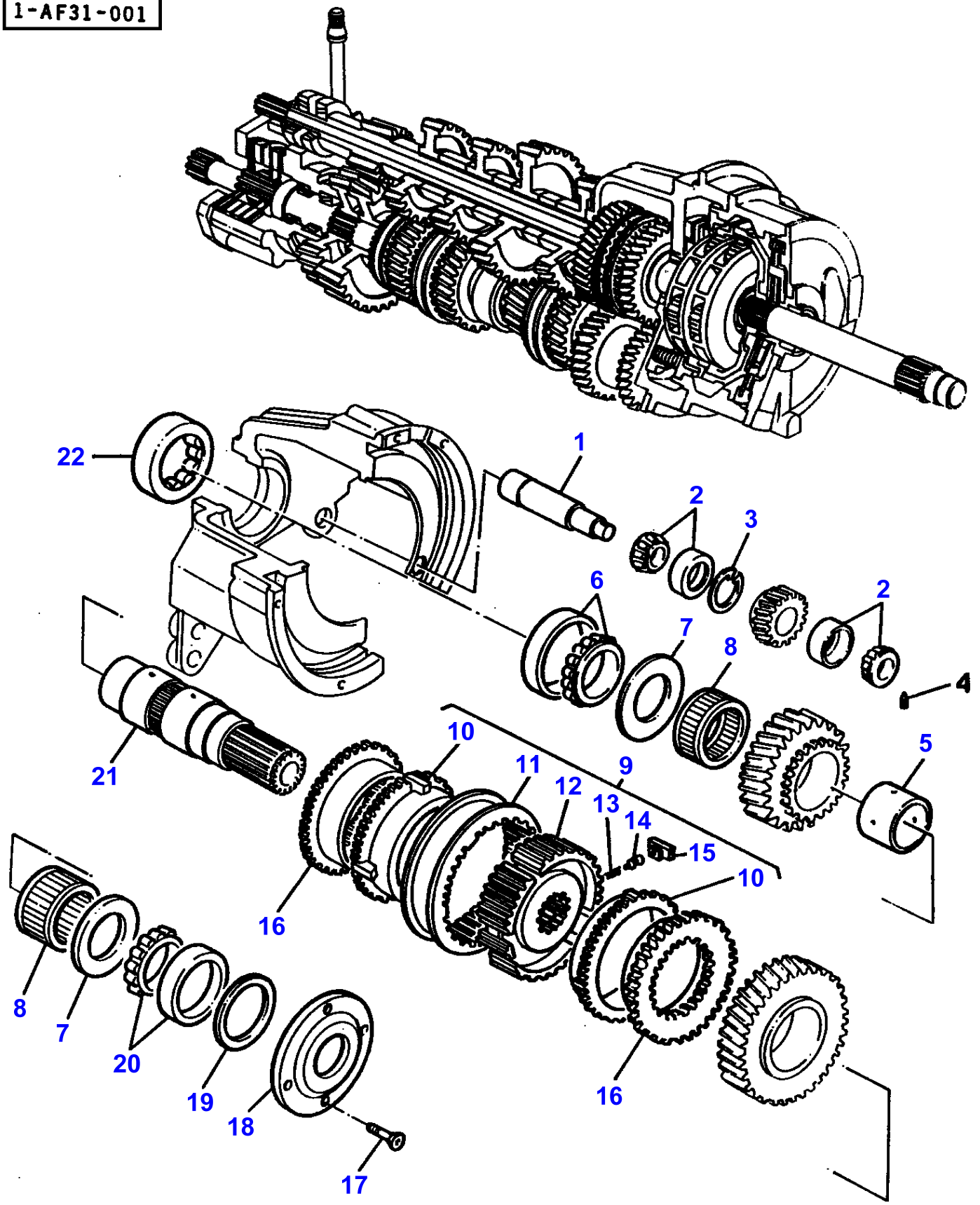
1-AF 30-001



DYNASHIFT TRANSMISSION-INPUT GEARS

Item	Part Number	Qty	Description	Comments
1	3617737M4	1	Pinion	Number of teeth/spines 21
2	3617275M2	1	Pinion	Number of teeth/spines 36
	3618996M1	1	Pinion	[A] Number of teeth/spines 36
3	3616020M2	1	Pinion	Number of teeth/spines 32
4	3617273M3	1	Pinion	Number of teeth/spines 28/29
	3618975M2	1	Pinion	[A] Number of teeth/spines 28/29 Up to Serial or Engine Number C347015 Not serviced, order 3713510M00
4	3618975M3	1	Pinion	[A] Number of teeth/spines 28/29 From Serial or Engine Number C347016
				[A] WITH HEAVY DUTY TRANSMISSION
				[B] FOR CHASSIS U.S.A

1-AF31-001

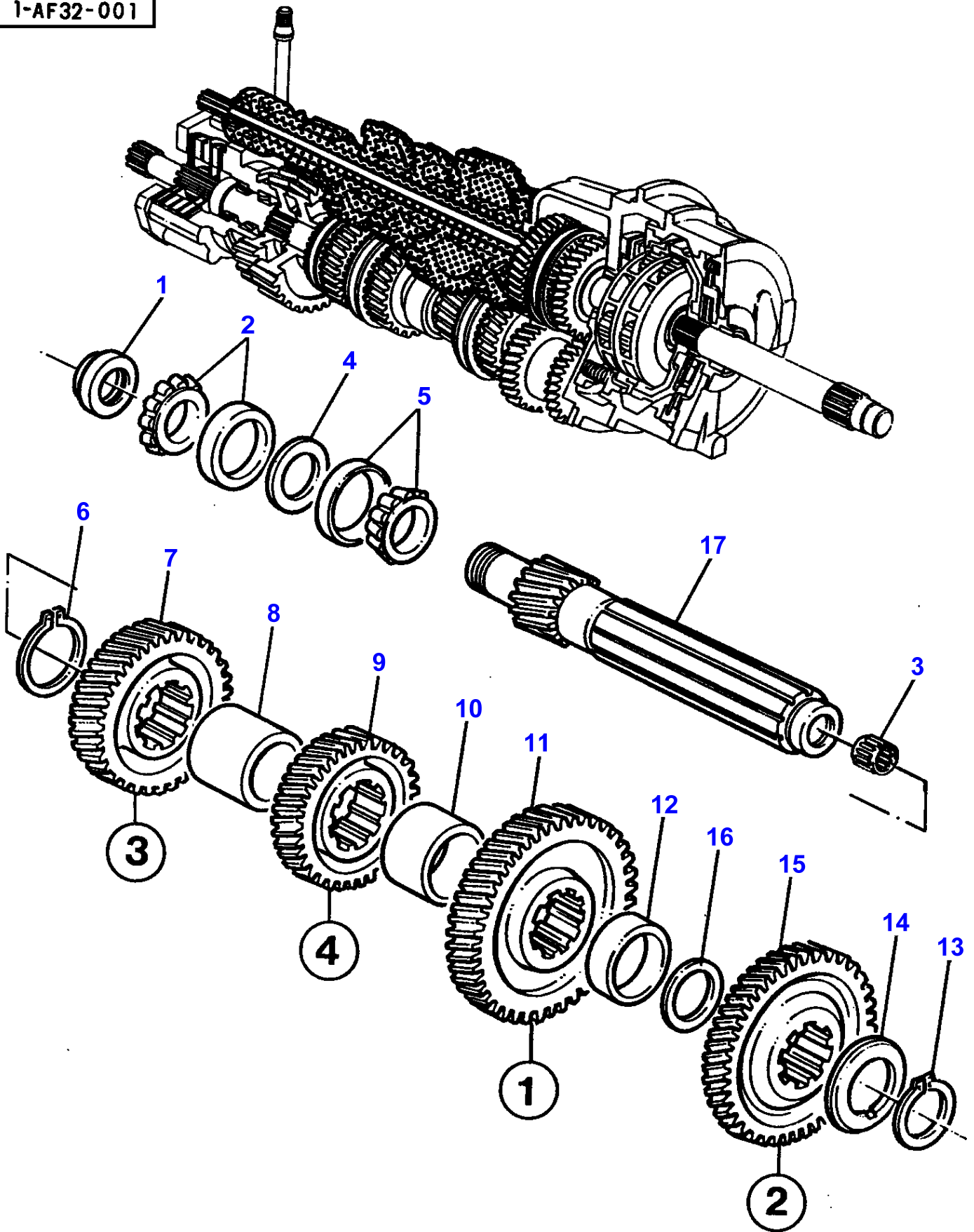


DYNASHIFT TRANSMISSION-INPUT SHAFT WITH SYNCHROMESH

Item	Part Number	Qty	Description	Comments
1	3618103M2	1	Clevis Pin	
2	3010151X91	2	Bearing Taper	
3	3618104M1	1	Segment	Thickness 2,28-2,33MM
	3618880M1	X	Segment	Thickness 2,36-2,41MM
	3617744M1	X	Segment	Thickness 2,50MM
4	3386683M1	1	Screw Special	
5	3617308M3	1	Bush	
6	3010115X91	1	Bearing Taper	
7	3616860M1	2	Washer	
8	3619780M1	2	Needle Cage	
9	3385888M92	1	Synchro Gear	
10	3385866M1	2	Ring	(9)
11	3385867M1	1	Slider Bearing	(9)
12	3385873M2	1	Hub	(9)
13	3386519M1	3	Spring	(9)
				3385892M1
14	3386520M1	3	Ball	(9)
				3385894M1
15	3385893M1	3	Guide	(9)
16	3385865M4	2	Ring	
17	3010348X1	4	Screw	
18		1	Plate	Up to Serial or Engine Number B126006 Not serviced, order 3618946M00
18	3618912M2	1	Washer	From Serial or Engine Number B126007
19	3383476M1	X	Shim	Thickness 0,5MM
	3383477M1	X	Shim	Thickness 0,6MM
	3383516M1	X	Shim	Thickness 0,7MM
	3383517M1	X	Shim	Thickness 0,8MM
	3617236M1	X	Chock	Thickness 0,1MM
	3617237M1	X	Chock	Thickness 0,2MM
	3617238M1	X	Chock	Thickness 0,4MM
	3617243M1	X	Chock	Thickness 0,05MM
20	3010115X91	1	Bearing Taper	
21	3617307M3	1	Shaft	Up to Serial or Engine Number A345008
	3619042M3	1	Shaft	From Serial or Engine Number A345009
22	843686M1	1	Bearing Assy	
	3712170M1	1	Bearing Assy	[A]

[A]
WITH HEAVY DUTY TRANSMISSION

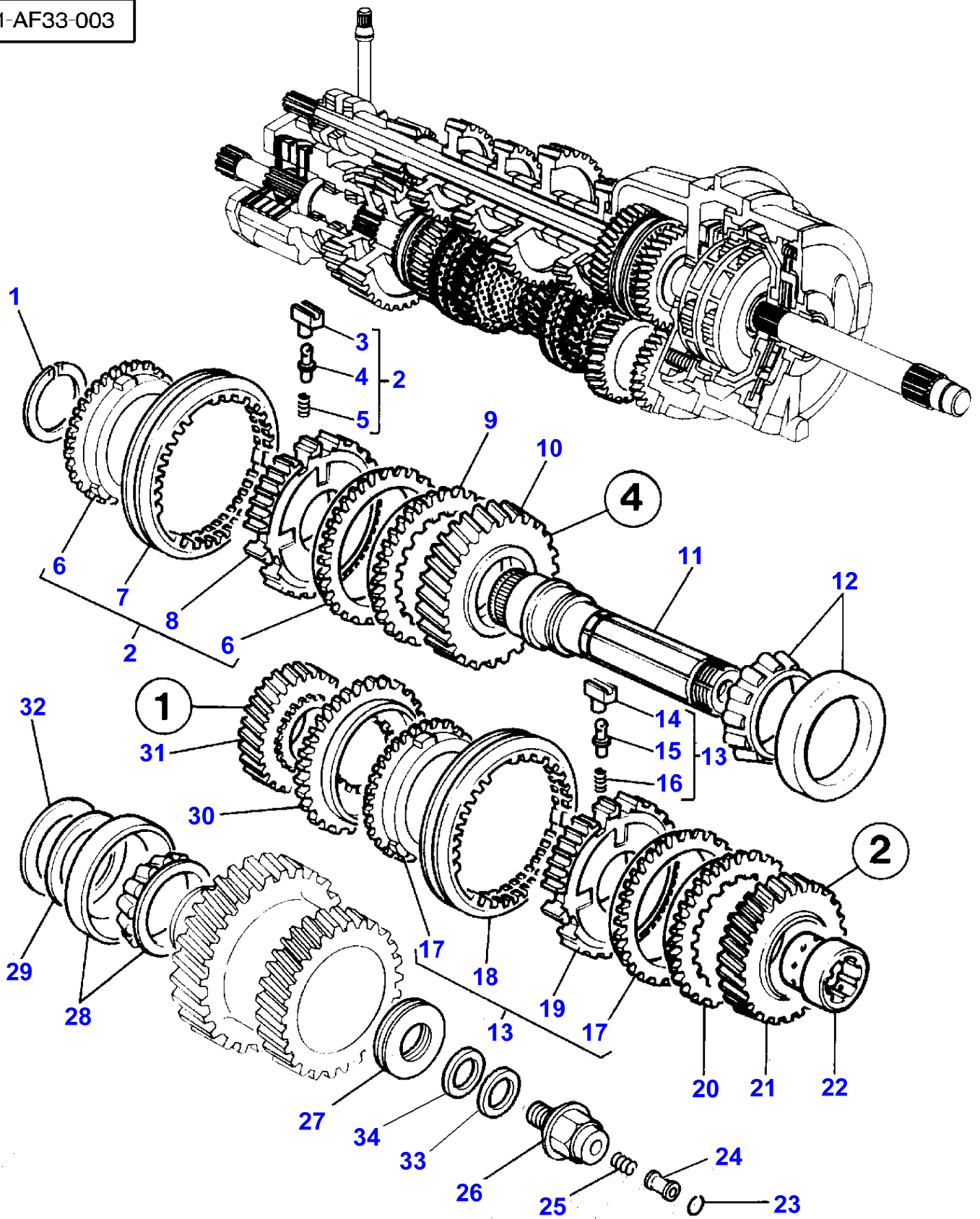
1-AF32-001



DYNASHIFT TRANSMISSION-COUNTERSHAFT

Item	Part Number	Qty	Description	Comments
1	1614882M2	1	Nut	
2	3405345M91	1	Bearing Taper	
3	1441835X1	1	Bearing Assy	
4	3041853M3	X	Shim	Thickness 4,46MM
5	968636M91	1	Bearing Assy	
6	355921X1	1	Ring	
7		1	Pinion	Up to Serial or Engine Number B202032 Not serviced, order 3900592M91
7	3619569M2	1	Pinion	From Serial or Engine Number B202033 Number of teeth/spines 35
7	3618934M2	1	Pinion	[A] Number of teeth/spines 35
8	3380192M2	1	Spacer	
9	3617272M2	1	Pinion	Number of teeth/spines 30
10	3583478M1	1	Spacer	
11	3618162M2	1	Pinion	Number of teeth/spines 43
	3618968M2	1	Pinion	[A] Number of teeth/spines 43
12	3042898M1	1	Spacer	
13	831180M1	1	Ring	
14	3042866M1	1	Washer	
15	3616152M2	1	Pinion	Number of teeth/spines 40 Up to Serial or Engine Number C150030
15	3618998M2	1	Pinion	Number of teeth/spines 40 From Serial or Engine Number C150031
15	3616152M2	1	Pinion	[A] Number of teeth/spines 40 From Serial or Engine Number C139033 Up to Serial or Engine Number C146002
15	3618998M2	1	Pinion	[A] Number of teeth/spines 40 From Serial or Engine Number C146003
15	3618998M2	1	Pinion	[A,B] Number of teeth/spines 40 From Serial or Engine Number P10638
16	3042846M1	X	Shim	Thickness 0,20 MM
	3042847M1	X	Shim	Thickness 0,40 MM
	3042848M2	X	Shim	Thickness 1MM
17	3616227M2	1	Shaft	
	3712169M1	1	Shaft	[A]
				[A] WITH HEAVY DUTY TRANSMISSION
				[B] FOR CHASSIS U.S.A

1-AF33-003



DYNASHIFT TRANSMISSION-MAIN SHAFT

Item	Part Number	Qty	Description	Comments
1	1444488X1	1	Ring	
2	3616410M91	1	Synchro Gear	
3	3618170M1	3	Poppet	(2)
4	3386520M1	3	Ball	(2) 3385894M1
5	3386519M1	3	Spring	(2) 3385892M1
6	3618168M1	2	Ring	(2)
7	3618169M1	1	Slider Bearing	(2)
8	3616324M1	1	Hub	(2)
9	3617219M1	1	Ring	
10	3617281M92	1	Pinion	Number of teeth/spines 35
11	3616828M4	1	Shaft	Up to Serial or Engine Number D023016
	3713477M1	1	Shaft	From Serial or Engine Number D023017
12	968634M91	1	Bearing Assy	Alternative 3010192X91
	3010192X91	1	Bearing Taper	Alternative 968634M91
13	3616592M91	1	Synchro Gear	
14	3618170M1	3	Poppet	(13)
15	3386520M1	3	Ball	(13) 3385894M1
16	3386519M1	3	Spring	(13) 3385892M1
17	3618168M1	2	Ring	(13)
18	3618169M1	1	Slider Bearing	(13)
19	3616516M1	1	Hub	(13)
20	3617219M1	1	Ring	
21	3616154M92	1	Pinion	Number of teeth/spines 24 Up to Serial or Engine Number C150030
21	3619034M92	1	Pinion	Number of teeth/spines 24 From Serial or Engine Number C150031
21	3616154M92	1	Pinion	[A] Number of teeth/spines 24 From Serial or Engine Number C139033
21	3619034M92	1	Pinion	Up to Serial or Engine Number C146002
21	3619034M92	1	Pinion	[A] Number of teeth/spines 24 From Serial or Engine Number C146003
21	3619034M92	1	Pinion	[A,B] Number of teeth/spines 24 From Serial or Engine Number P10638
22	3616519M1	1	Bush	
	3619366M2	1	Bush	[A]
23	3382831M1	1	Segment	
24	3385884M1	1	Tube	
25	3382828M1	1	Spring	
26	3617762M3	1	Screw	Up to Serial or Engine Number D023016
	3713479M1	1	Screw	From Serial or Engine Number D023017
27	3617763M1	1	Washer	Up to Serial or Engine Number D023016
	3713478M1	1	Washer	From Serial or Engine Number D023017
28	968634M91	1	Bearing Assy	Alternative 3010192X91
	3010192X91	1	Bearing Taper	Alternative 968634M91
29	3383171M1	X	Chock	Thickness 0,05MM
	3380040M1	X	Shim	Thickness 0,10MM
	3380041M1	X	Shim	Thickness 0,30MM
	3380042M1	X	Shim	Thickness 0,50MM
30	3616827M2	1	Ring	
31	3618163M93	1	Pinion	Number of teeth/spines 17
	3714109M1	1	Pinion	[A] Number of teeth/spines 17
32	3383164M1	1	Washer	
33	3713480M1	X	Chock	Thickness 0,25MM From Serial or Engine Number D023017
33	3713481M1	X	Chock	Thickness 0,5MM From Serial or Engine Number D023017
34	3713483M1	1	Washer	From Serial or Engine Number D023017

[A]
WITH HEAVY DUTY TRANSMISSION

[B]

MASSEY FERGUSON

MF 3690 TRACTOR - 1637223

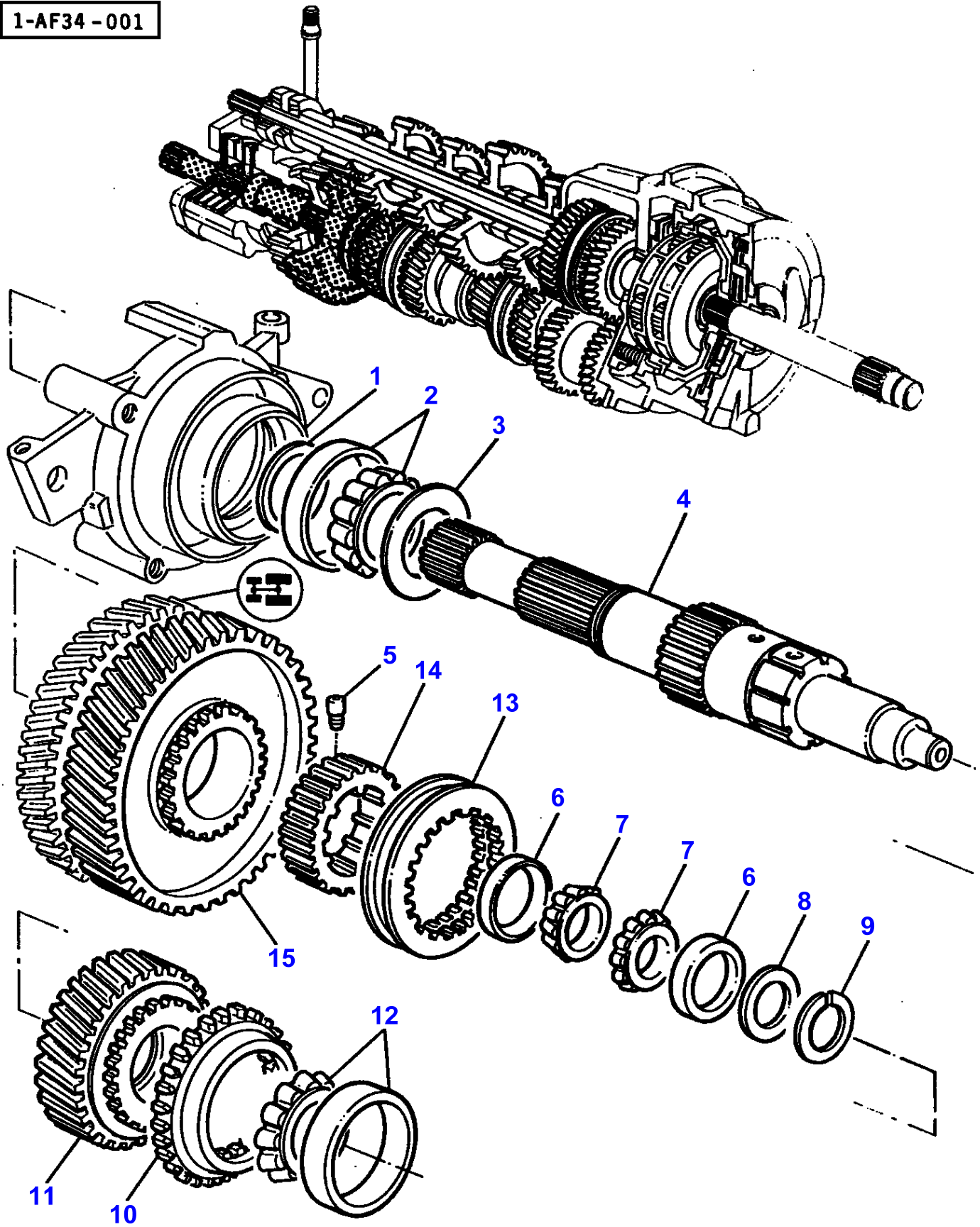
1637223

DYNASHIFT TRANSMISSION-MAIN SHAFT

167

Item	Part Number	Qty	Description	Comments
				FOR CHASSIS U.S.A

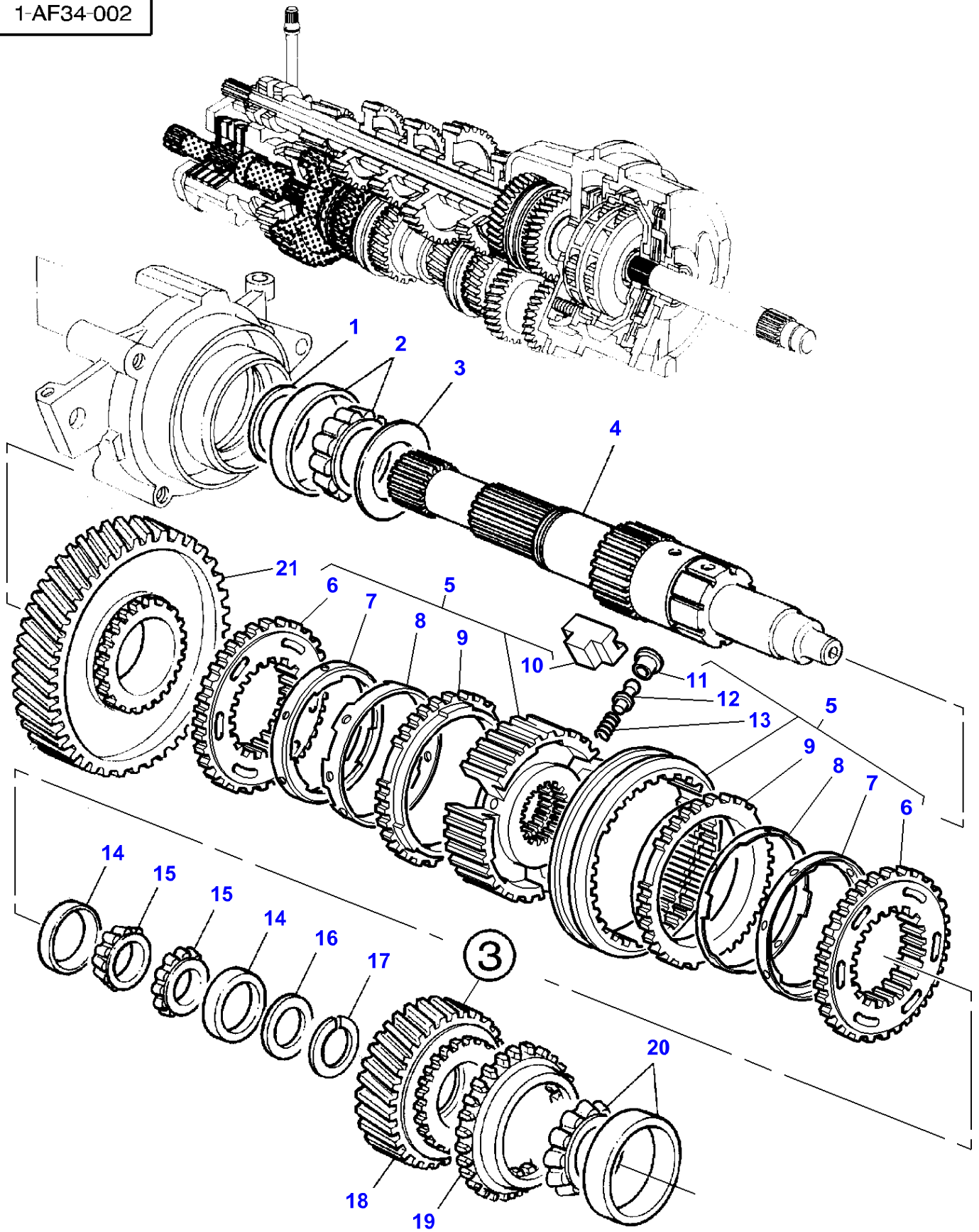
1-AF34-001



DYNASHIFT TRANSMISSION-OUTPUT SHAFT

Item	Part Number	Qty	Description	Comments
1	3616313M1	X	Chock	Thickness 0,05MM
	3616312M1	X	Chock	Thickness 0,1MM
	3616311M1	X	Chock	Thickness 0,3MM
	3616310M1	X	Chock	Thickness 0,5MM
	3616309M1	X	Chock	Thickness 0,9MM
	3616308M1	X	Chock	Thickness 2MM
2	3010129X91	1	Bearing Taper	
3	3616280M1	1	Washer	
4	3618090M1	1	Shaft	
5	3385635M2	1	Pin	
6	3010059X1	2	Race	
7	3010060X1	2	Cone	
8	3618094M1	X	Chock	Thickness 5,45MM
	3618171M1	X	Chock	Thickness 5,50MM
	3618095M1	X	Chock	Thickness 5,55MM
	3618172M1	X	Chock	Thickness 5,60MM
	3618096M1	X	Chock	Thickness 5,65MM
9	3617884M1	1	Segment	
10	3617219M1	1	Ring	
11		1	Pinion	Up to Serial or Engine Number B202032 Not serviced, order 3900592M91
11	3619568M2	1	Pinion	From Serial or Engine Number B202033 Number of teeth/spines 30
12	3010118X91	1	Bearing Taper	
13	3385628M2	1	Coupler	
14	1619205M2	1	Hub	
15	3615837M91	1	Pinion	Number of teeth/spines 48

1-AF34-002

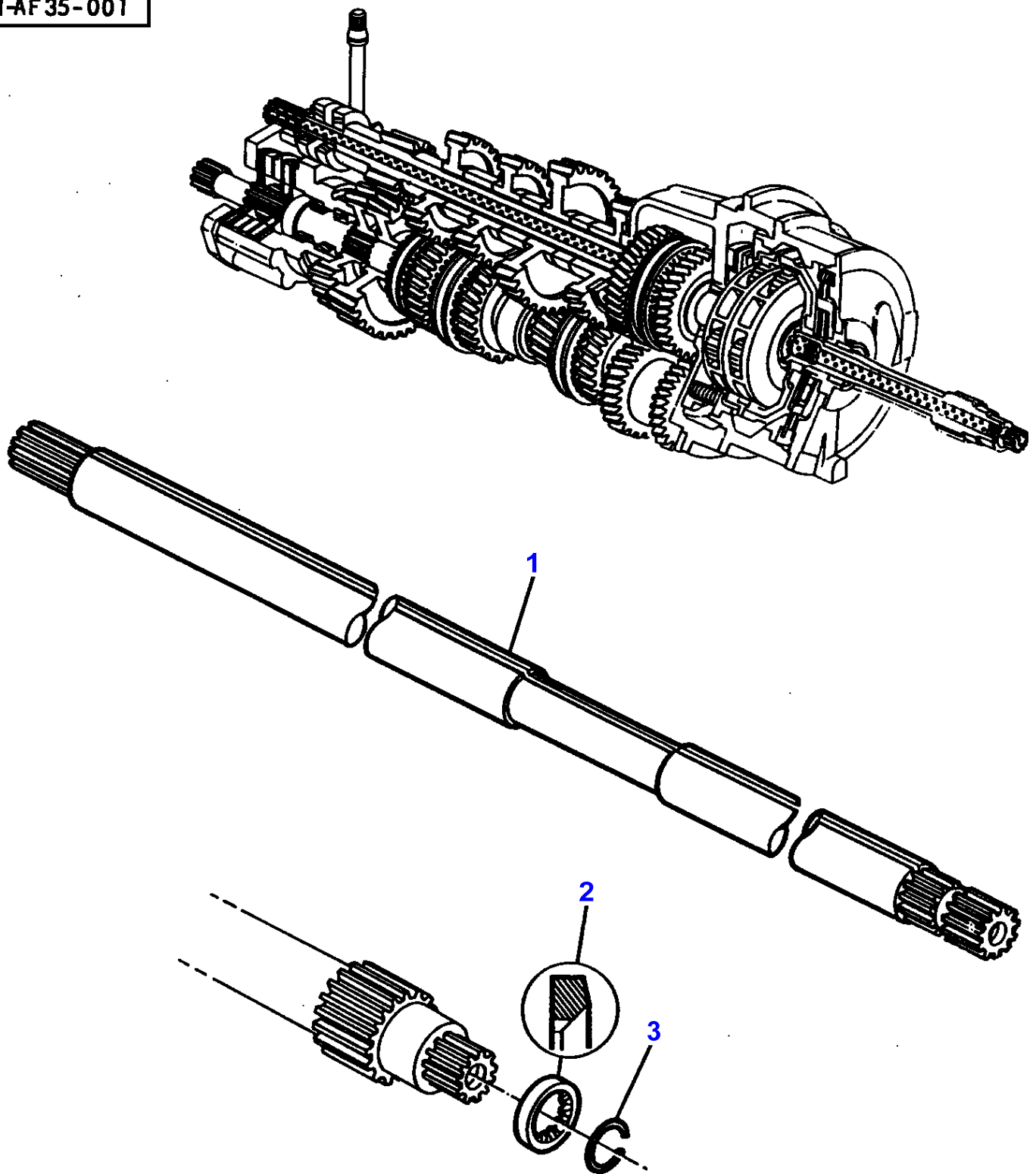


DYNASHIFT TRANSMISSION-OUTPUT SHAFT - WITH HEAVY DUTY TRANSMISSION

Item	Part Number	Qty	Description	Comments
				WITH HEAVY DUTY TRANSMISSION
1	3616313M1	X	Chock	Thickness 0,05MM
	3616312M1	X	Chock	Thickness 0,1MM
	3616311M1	X	Chock	Thickness 0,3MM
	3616310M1	X	Chock	Thickness 0,5MM
	3616309M1	X	Chock	Thickness 0,9MM
	3616308M1	X	Chock	Thickness 2MM
2	3010129X91	1	Bearing Taper	
3	3616280M1	1	Washer	
4	3619369M3	1	Shaft	
5	3712847M93	1	Synchro Gear	
6	3900982M2	2	Cone	(5)
7	3900980M1	2	Cone	(5)
8	3900981M1	2	Bush	(5)
				Up to Serial or Engine Number E130032 Not serviced, order REF.5
8	3902633M1	2	Bush	(5)
				From Serial or Engine Number E130033
9	3900986M1	2	Ring	(5)
10	3900979M1	3	Skate	(5)
11	3900985M1	3	Poppet	(5)
12	3900983M1	3	Clevis Pin	(5)
13	3900984M1	3	Spring	(5)
14	3010059X1	2	Race	
15	3010060X1	2	Cone	
16	3714505M1	X	Chock	Thickness 5,40MM
	3618094M1	X	Chock	Thickness 5,45MM
	3618171M1	X	Chock	Thickness 5,50MM
	3618095M1	X	Chock	Thickness 5,55MM
	3618172M1	X	Chock	Thickness 5,60MM
	3618096M1	X	Chock	Thickness 5,65MM
17	3617884M1	1	Segment	
18	3618933M3	1	Pinion	Number of teeth/spines 30
19	3617219M1	1	Ring	
20	3010118X91	1	Bearing Taper	
21	3619347M92	1	Pinion	Number of teeth/spines 48

[A]
FOR CHASSIS U.S.A

1-AF35-001



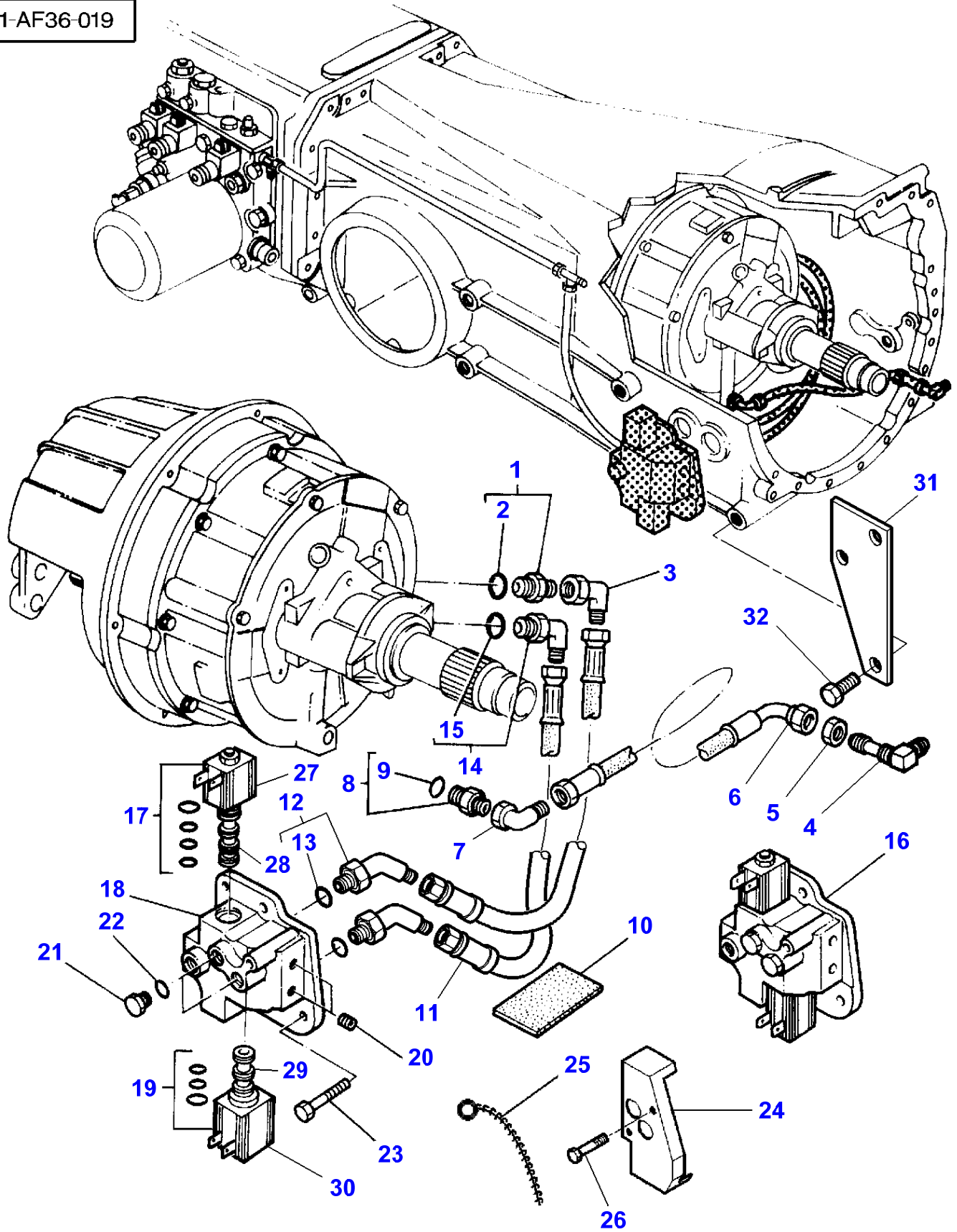
MASSEY FERGUSON**MF 3690 TRACTOR - 1637223****1637223****170****DYNASHIFT TRANSMISSION-IPTO SHAFT**

Item	Part Number	Qty	Description	Comments
1		1	Shaft	[B] Number of teeth/spines 36 Up to Serial or Engine Number B328031
1	3619774M3	1	Shaft	Number of teeth/spines 36 From Serial or Engine Number B328032 Up to Serial or Engine Number C123025
1	3712736M1	1	Shaft	From Serial or Engine Number C123026
2	3387384M3	1	Washer	
3	358959X1	1	Ring	

[A]
FOR CHASSIS U.S.A

[B]
UP TO SERIAL NUMBER B328031 ORDER 3712778M91

1-AF36-019



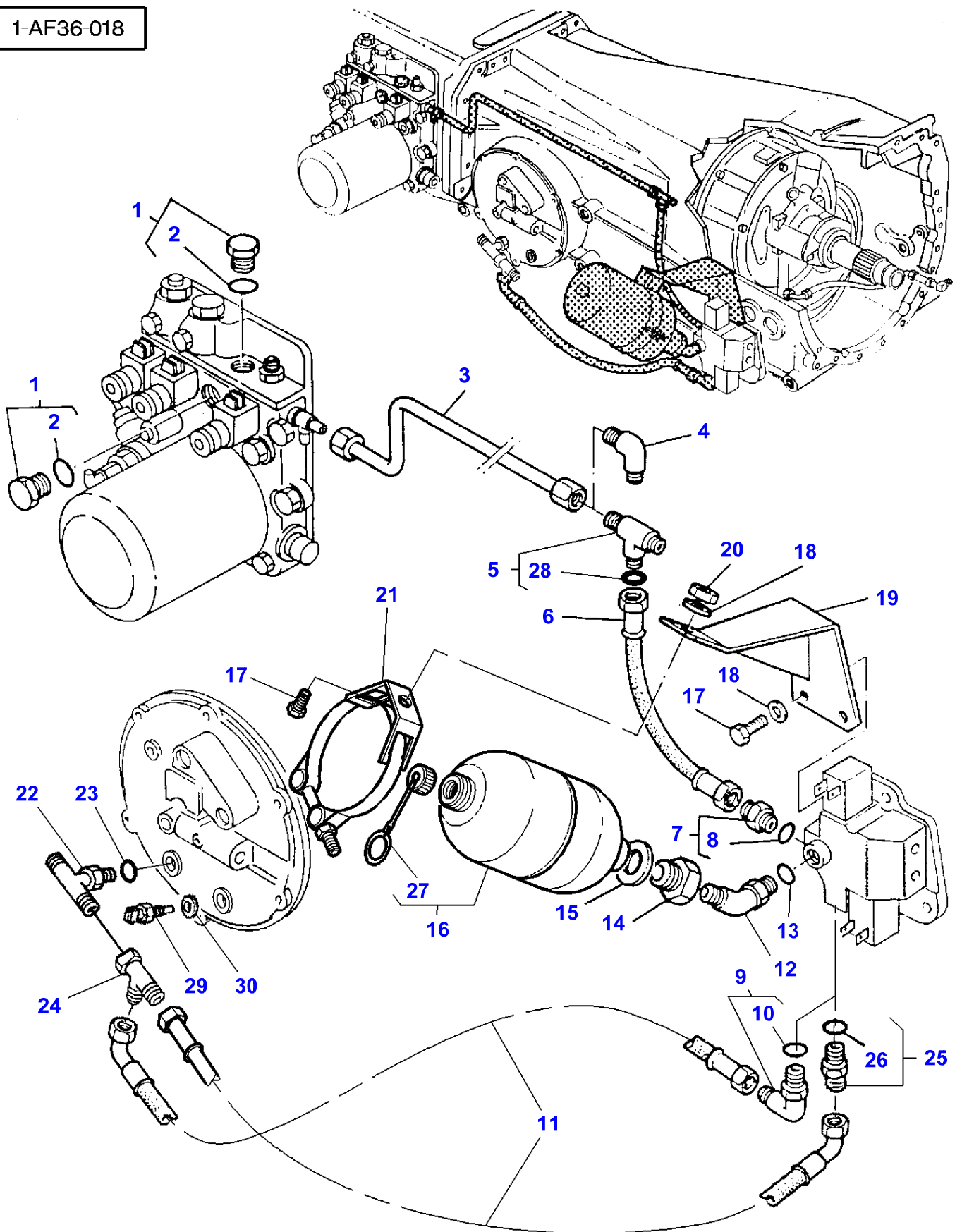
DYNASHIFT TRANSMISSION-LUBRICATION DYNASHIFT FEEDING

Item	Part Number	Qty	Description	Comments
1	3019379X91	1	Union	
2	3019395X1	1	O Ring	(1)
3	364603X1	1	Elbow	
4	3052699M2	1	Union	
5	358706X1	1	Nut	
6	3616088M1	1	Hydr Hose	[A]
	3387624M1	1	Hydr.Hose Assy.	
7	364279X1	1	Elbow	
8	3019700X91	1	Union	
9	3019394X1	1	O Ring	(8)
10	3581697M1	1	Gasket	38X55X5 Up to Serial or Engine Number 31/01/1993
11	3386950M1	2	Hydr Hose	
12	3019584X91	2	Union	
13	3019395X1	1	O Ring	(12)
14	3019412X91	1	Elbow	
15	3019395X1	1	O Ring	(14)
16	3615843M13	1	Electrovalve	3615843M93
17	3617383M1	1	Electrovalve	(16) Up to Serial or Engine Number B281016
18		1	Electrovalve	(16) Not serviced, order REF N0 16
19	3617382M1	1	Electrovalve	(16) Up to Serial or Engine Number B281016
20	375184X1	2	Plug	(16)
21	3384387M1	2	Pressure Intake	(16) Up to Serial or Engine Number A090035
21	3019640X1	2	Plug	(16) From Serial or Engine Number A090036
22	3019395X1	2	O Ring	(16) From Serial or Engine Number A090036
23	338481X1	3	Screw	Diameter 3/8" Length 28MM
23	339337X1	3	Screw Metric	M8X30
24	3618651M3	1	Cowl	From Serial or Engine Number B089016
25	3618653M1	1	Wire	From Serial or Engine Number B089016 30 KM/H
25		1	Not Used	40KM/H
26	1442674X1	2	Screw	From Serial or Engine Number B089016 30KM/H
26	1442674X1	2	Screw	From Serial or Engine Number B089016 Up to Serial or Engine Number B174034 40KM/H
26	339230X1	2	Screw Metric	From Serial or Engine Number B174035 40KM/H
27	3619763M1	1	Solenoid	From Serial or Engine Number B281017
28	3619824M1	1	Spool	From Serial or Engine Number B281017
29	3619762M1	1	Spool	From Serial or Engine Number B294009
30	3619763M1	1	Solenoid	From Serial or Engine Number B294009
31	3713180M1	1	Support	[A,B]
32	354702X1	2	Screw	[A,B] Diameter 3/4" Length 25MM

[A]
FOR CHASSIS U.S.A

[B]
WITH HEAVY DUTY TRANSMISSION

1-AF36-018

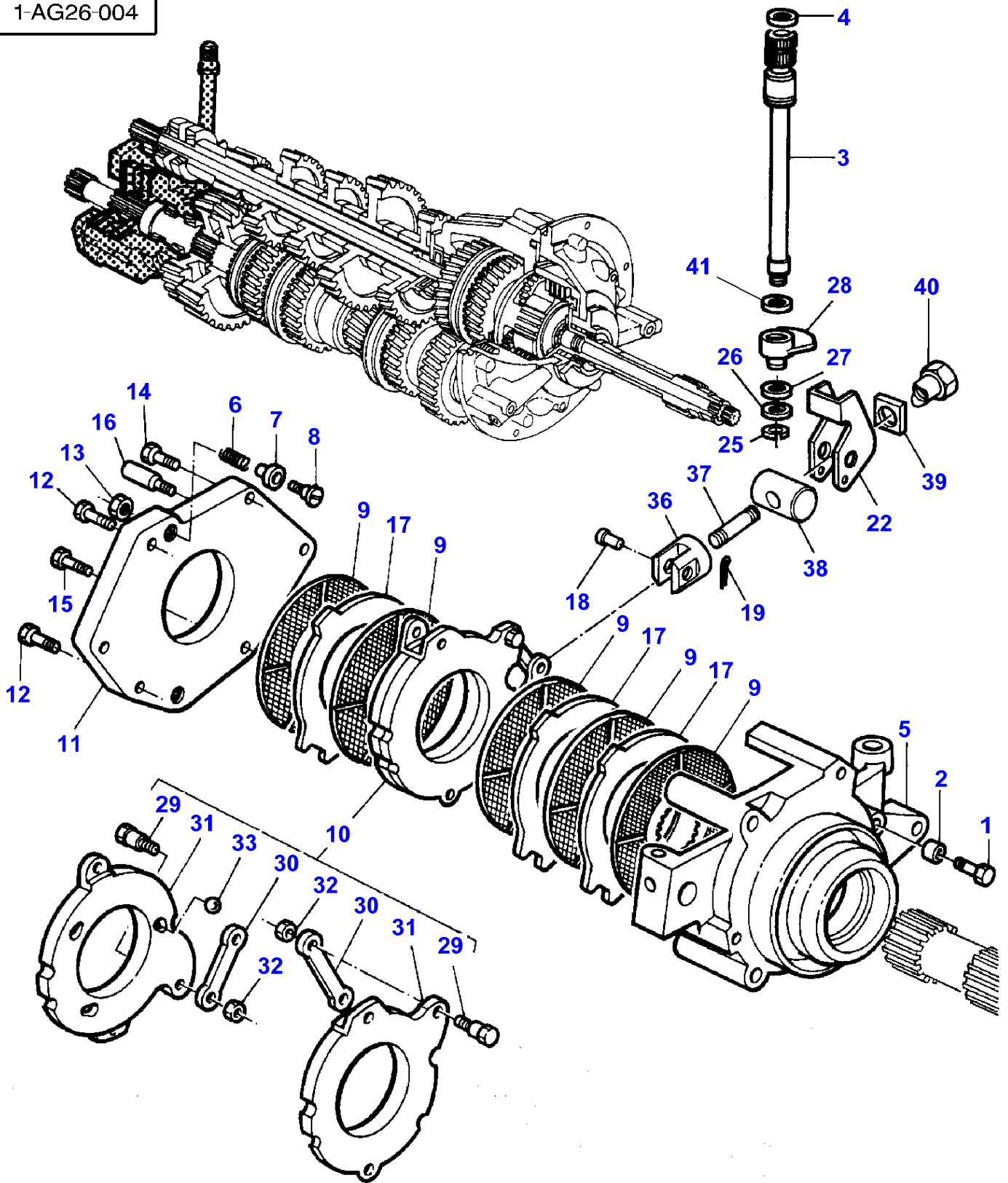


DYNASHIFT TRANSMISSION-LUBRICATION DYNASHIFT FEEDING

Item	Part Number	Qty	Description	Comments
1	3019639X91	1	Plug	
2	3019395X1	1	O Ring	(1)
3	3615463M91	1	Tube	
4	356375X1	1	Elbow	
5	3019623X91	1	Union	
6	3383170M91	1	Hydr Hose	
7	3019379X91	1	Union	
8	3019395X1	1	O Ring	(7)
9	3019414X91	1	Union	COUDE 90' Up to Serial or Engine Number (9)
10	3019396X1	1	O Ring	(9)
11	3616088M1	1	Hydr Hose	
	3713609M1	1	Hydr Hose	[A]
12	3019587X1	1	Union	Up to Serial or Engine Number B319027
	3010456X1	1	Union	From Serial or Engine Number B319028
13	3019396X1	1	O Ring	
14	3615667M2	1	Adaptor	Up to Serial or Engine Number B319027
15	1441215X1	1	Ring	Up to Serial or Engine Number B319027
16	3615670M1	1	Accumulator	Up to Serial or Engine Number B319027
	3619551M1	1	Accumulator	From Serial or Engine Number B319028
17	339761X1	2	Screw Metric	M8X25
18	339374X1	2	Lock Washer	
19	3617424M2	1	Strap	
20	339169X1	1	Nut Metric	
21	3619807M1	1	Bridle	
22	3019609X91	1	Union	
23	3019396X1	1	O Ring	(22)
24	364735X1	1	Union	
25	3019381X91	1	Union	From Serial or Engine Number
26	3019396X1	1	O Ring	(25)
27	3619806M1	1	Plug	(16) From Serial or Engine Number B319028
28	3019395X1	1	O Ring	(5)
29	3618249M1	1	Inductive Taker	[A]
30	1440012X1	1	Gasket	[A]

[A]
FOR CHASSIS U.S.A

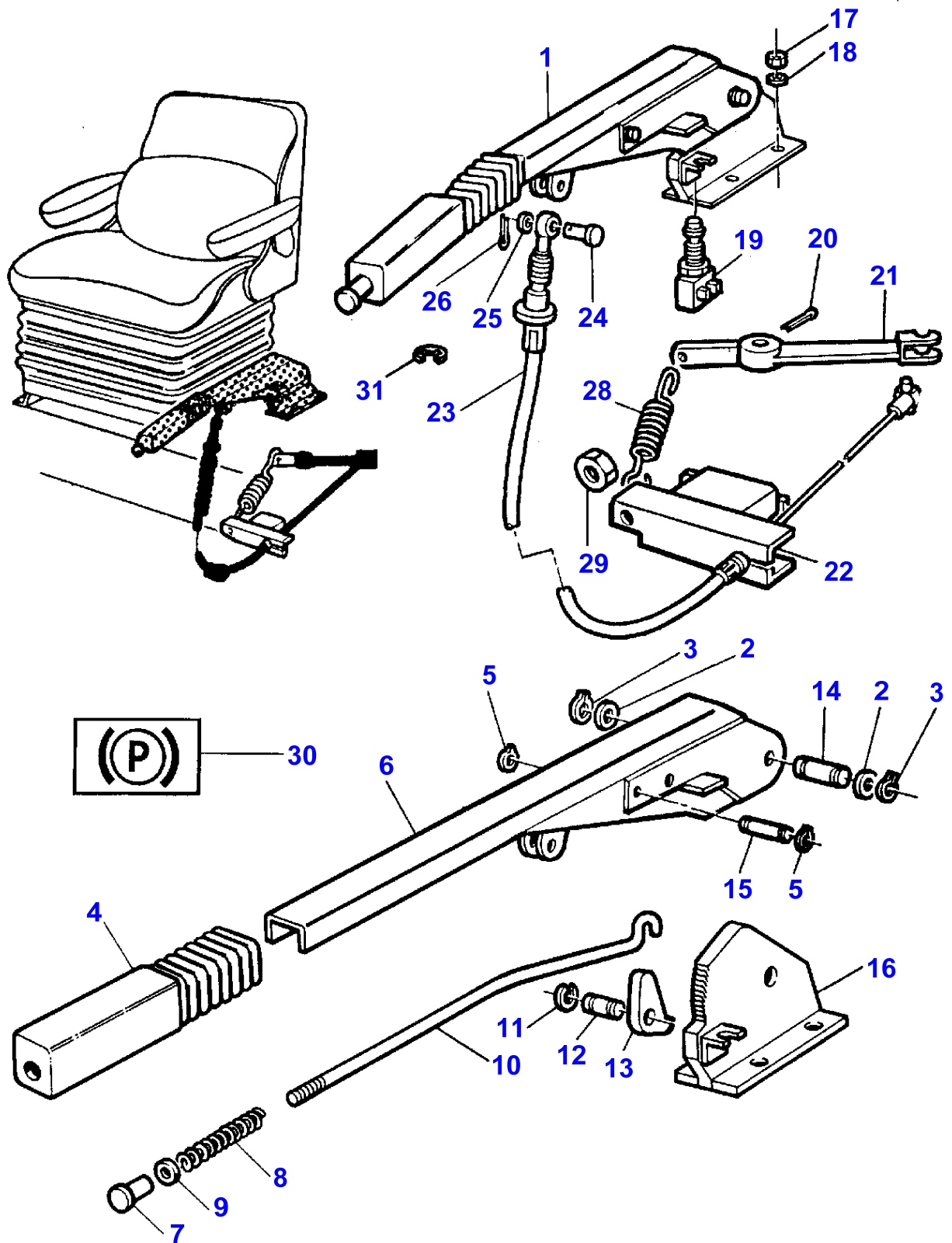
1-AG26-004



HANDBRAKE-LOWER CONTROL

Item	Part Number	Qty	Description	Comments
1	353725X1	1	Bolt Unc	
2	1611277M1	1	Pin	
3	3380416M3	1	Shaft	
4	3384856M1	1	O Ring	
5	3386994M1	1	Support	[B]
	3616274M1	1	Support	[A]
				Up to Serial or Engine Number 08/94
5	3712295M1	1	Support	[A,C]
				From Serial or Engine Number 08/94
6	3052320M1	4	Spring	
7	3052318M1	4	Bush	
8	3052317M1	4	Plunger	
9	3715250M2	4	Disc	[B]
	3715250M2	4	Disc	[A]
				Up to Serial or Engine Number 08/94
9	3715250M2	5	Disc	[A]
				From Serial or Engine Number 08/94
10	3617341M1	1	Disc	
11	3045478M2	1	Cover	
12	362786X1	2	Screw	
13	339030X1	2	Nut Metric	
14	354273X1	1	Bolt Unc	
15	353898X1	1	Screw	
16	3045479M1	1	Clevis Pin	
17	3380442M1	2	Plate	[B]
	3380442M1	2	Plate	[A]
				Up to Serial or Engine Number 08/94
17	3380442M1	3	Plate	[A]
				From Serial or Engine Number 08/94
18	376401X1	1	Clevis Pin	Alternative 195609M1
	195609M1	1	Clevis Pin	Alternative 376401X1
19	354048X1	1	Pin	
22	3045480M3	1	Lever	
25	354476X1	1	Clip	
26	390735X1	1	Nut	
27	338330X1	1	Cup Spring	Up to Serial or Engine Number C276005
28	3380415M1	1	Lever	
29	3310814M1	2	Screw	(10)
30	3900038M1	2	Draglink	(10)
31		2	Disc	(10)
				Not serviced, order REF 10
32	353916X1	2	Nut Unf	(10)
33	3310764M1	3	Ball	(10)
36	3580590M1	1	Draglink	
37	3581306M1	1	Stud	
38	3581305M1	1	Trunnion	
39	3581331M1	1	Spacer	
40	3581332M1	1	Nut	
41	3010500X1	1	Washer	From Serial or Engine Number C276006
				[A]
				WITH DYNASHIFT
				[B]
				FOR SPEEDSHIFT
				[C]
				5 PLATE WET BRAKES

1-AG28-500-A

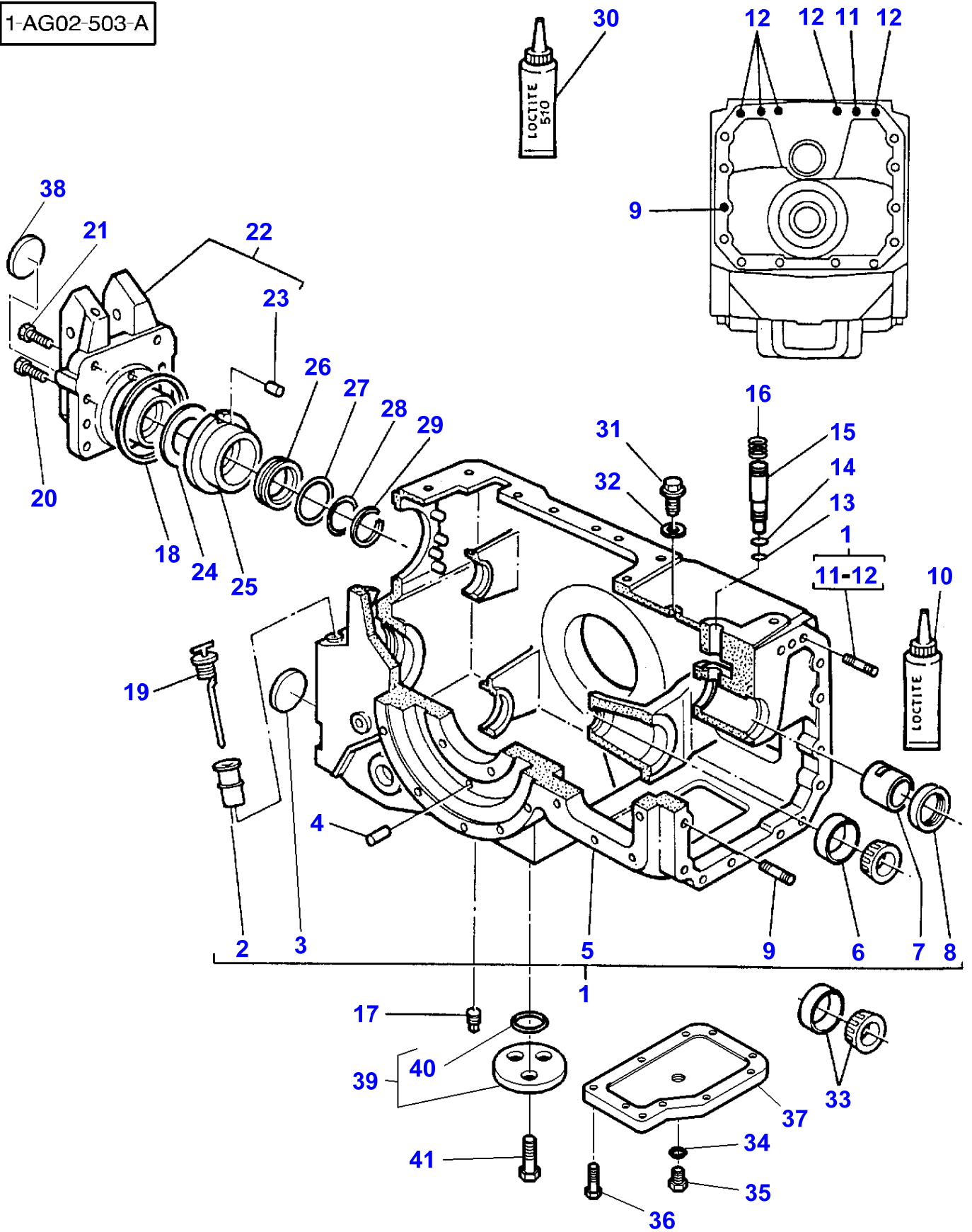


BRAKES-HANDBRAKE

Item	Part Number	Qty	Description	Comments
1	3385327M93	1	Handbrake Assy	Up to Serial or Engine Number 04-OCT-1996
	3385327M94	1	Handbrake Assy	From Serial or Engine Number 04-OCT-1996
2	1693980M1	2	Washer	(1)
3	339356X1	2	Circlip	(1)
4	1693965M1	1	Handle	(1)
5	3000261X1	2	Clip	(1)
6	3385337M91	1	Lever	(1)
				Up to Serial or Engine Number 04-OCT-1996
6	3715941M1	1	Lever	(1)
				From Serial or Engine Number 04-OCT-1996
7	3616904M1	1	Button	(1)
8	1693970M1	1	Spring	(1)
9	3616905M1	1	Washer	(1)
10	1693966M1	1	Rod	(1)
				Up to Serial or Engine Number 04-OCT-1996
10	3715943M1	1	Rod	(1)
				From Serial or Engine Number 04-OCT-1996
11	1440988X1	2	Clip	(1)
12	1693974M1	1	Clevis Pin	(1)
13	1693969M1	1	Ratchet	(1)
				Up to Serial or Engine Number 04-OCT-1996
13	3715942M1	1	Ratchet	From Serial or Engine Number 04-OCT-1996
14	1693976M1	1	Clevis Pin	(1)
15	1693973M1	1	Clevis Pin	(1)
16	3582569M91	1	Sector	(1)
				Repairs and replaces 3385342M91
17	339169X1	4	Nut Metric	
18	390972X1	4	Washer Metric	
19	3380073M1	1	Switch,Indirect	
20	390970X1	1	Pin	
21	3042185M3	1	Lever	Up to Serial or Engine Number C256037 Length 228MM
21	3712321M1	1	Lever	From Serial or Engine Number C256038 Length 200MM
22	3386848M94	1	Support	Up to Serial or Engine Number E204021
	3715803M91	1	Support	From Serial or Engine Number E204022
23	3581143M2	1	Cable	Length 815MM
	3583620M2	1	Cable	[A] Length 1400MM
24	195234M1	1	Clevis Pin	
25	353755X1	1	Washer	Up to Serial or Engine Number
	390972X1	1	Washer Metric	From Serial or Engine Number
26	354057X1	1	Pin	
28	3380336M2	1	Spring	
29	353429X1	1	Nut Unf	Diameter 5/8"-18
				Up to Serial or Engine Number E204021
29	353429X1	2	Nut Unf	From Serial or Engine Number E204022
30	3580502M1	1	Decal	
31	3581179M1	1	Ring	Diameter 16

[A]
FORESTRY CAB

1-AG02-503-A



REAR AXLE-CENTRE HOUSING

Item	Part Number	Qty	Description	Comments
1	3582414M93	1	Housing	Up to Serial or Engine Number B196012
	3618687M92	1	Housing	From Serial or Engine Number B196013
1	3619737M13	1	Housing	Up to Serial or Engine Number C329000 From Serial or Engine Number C329001 3619737M12
1	3618687M92	1	Housing	[F] Up to Serial or Engine Number B12047
1	3619737M13	1	Housing	[F] From Serial or Engine Number B12048 3619737M12
1	3619737M13	1	Housing	[C] 3619737M12
2	3038225M2	1	Tube	(1) Up to Serial or Engine Number D272030
2	3713909M2	1	Tube	(1) From Serial or Engine Number D272031
3	353164X1	1	Plug	(1)
4	3385836M3	6	Centraliser	Length 29,4MM
5		1	Housing	(1) Not serviced, order REF NO 1
6		1	Race	(1) Not serviced, order REF.33
7	3582501M2	1	Bush	(1)
8	3383497M1	1	Seal	(1)
9	3384888M1	1	Stud	(1) Length 86MM
9	3790042M1	1	Stud	Up to Serial or Engine Number E204021 (1) Length 70MM From Serial or Engine Number E204022
10	1633268M2	X	Loctite	
11	3387888M1	1	Stud	(1) Length 70MM Up to Serial or Engine Number E204021
11	3384889M1	1	Stud	(1) Length 64MM From Serial or Engine Number E204022
11	372999X1	1	Screw	(1) Length 57MM Diameter 5/8-11
12	3387887M1	3	Stud	(1) Length 75MM
12	372999X1	2	Screw	(1)
13	3004939X1	1	O Ring	
14	1442621X1	1	O Ring	
15	3582502M3	1	Tube	
16	3582503M2	1	Spring	
17	363821X1	1	Plug	
18	1610232M1	1	Gasket	
19	3790421M1	1	Oil Dipstick	
20	353726X1	8	Screw Unc	[A] Length 5/8X38
20	353727X1	2	Screw Unc	[A] Length 5/8X44.2 Up to Serial or Engine Number
20	353901X1	2	Screw Unc	[A] Length 5/8.11X32
21	353728X1	2	Bolt Unc	
22	3386636M14	1	Support	[E] 3386636M94
22	3619164M11	1	Support	[D] 3619164M91
23	3045437M1	1	Pin	[E] (22)
24	3045383M1	2	Washer	
25	3042700M2	1	Sleeve	[E]
26	3045431M3	1	Brake	
27	3045432M1	1	Gasket	
28	3045435M1	2	Gasket	
29	3045429M1	1	Ring	
30	1633270M3	X	Loctite	

REAR AXLE-CENTRE HOUSING

Item	Part Number	Qty	Description	Comments
31	1610629M1	1	Centraliser	Up to Serial or Engine Number C333001
31	3019644X1	1	Plug	From Serial or Engine Number C333002 M18
32	180474M1	1	Gasket	
33	3405249M91	1	Bearing Taper	
34	3019397X1	1	O Ring	From Serial or Engine Number B196013
35	3583993M1	1	Plug	From Serial or Engine Number B196013
36	391375X1	8	Screw Metric	From Serial or Engine Number B196013 M12X35
36	390912X1	2	Screw Metric	From Serial or Engine Number B196013 M12X40
37	3618727M1	1	Plate	From Serial or Engine Number B196013
38	1611787M1	1	Plug	[B]
39	3714808M91	1	Parts Pack	From Serial or Engine Number C329001
39	3714808M91	1	Parts Pack	[F] From Serial or Engine Number B12048
40	365374X1	1	Seal	(39)
41	3009281X1	3	Screw	From Serial or Engine Number C329001
41	3009281X1	3	Screw	[F] From Serial or Engine Number B12048

[A]
WITH PTO PROTECTOR.CRAMER HITCH

[B]
LESS PTO

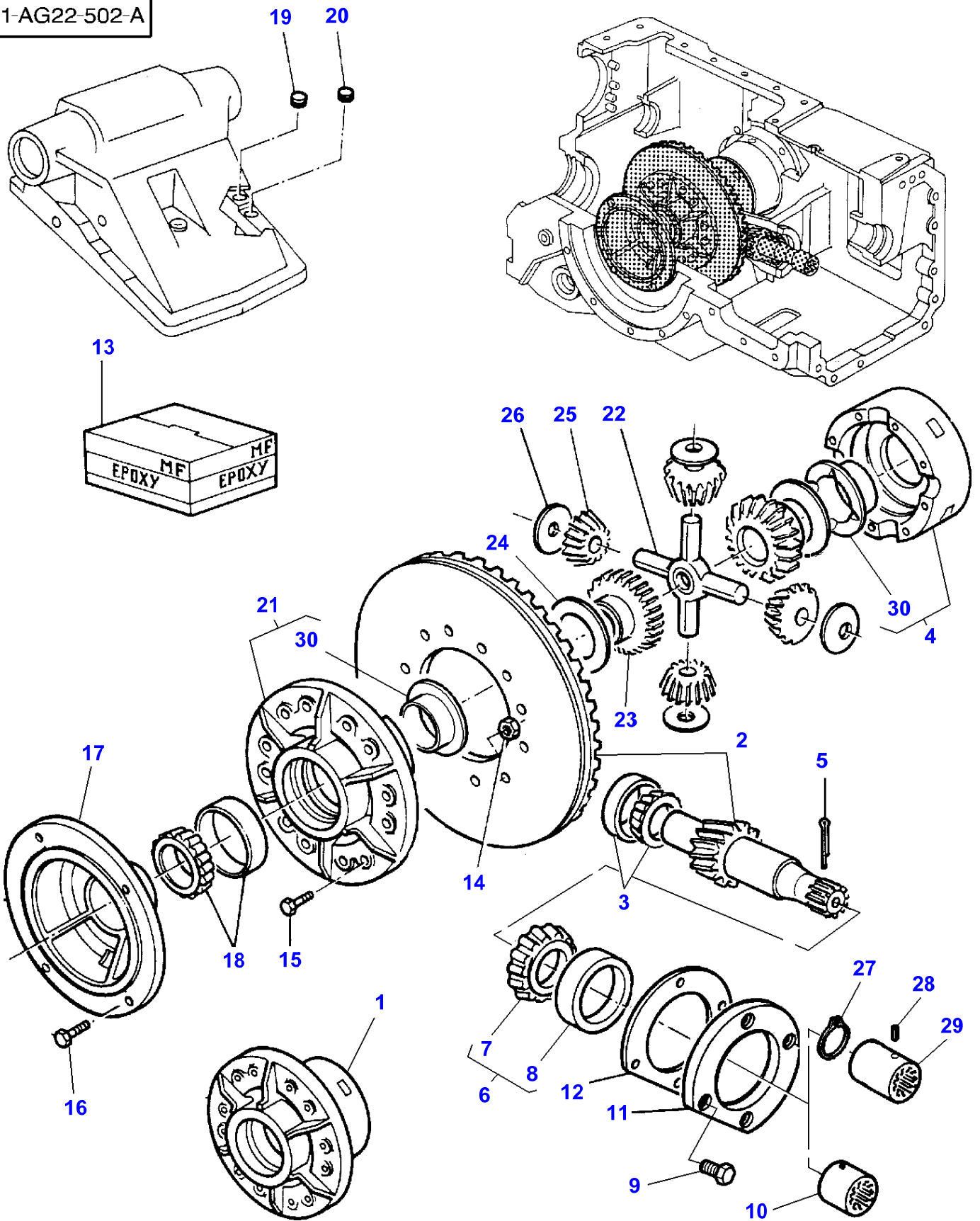
[C]
WITH WET CLUTCH

[D]
WITHOUT PTO BRAKES

[E]
WITH PTO BRAKES

[F]
FOR CHASSIS U.S.A

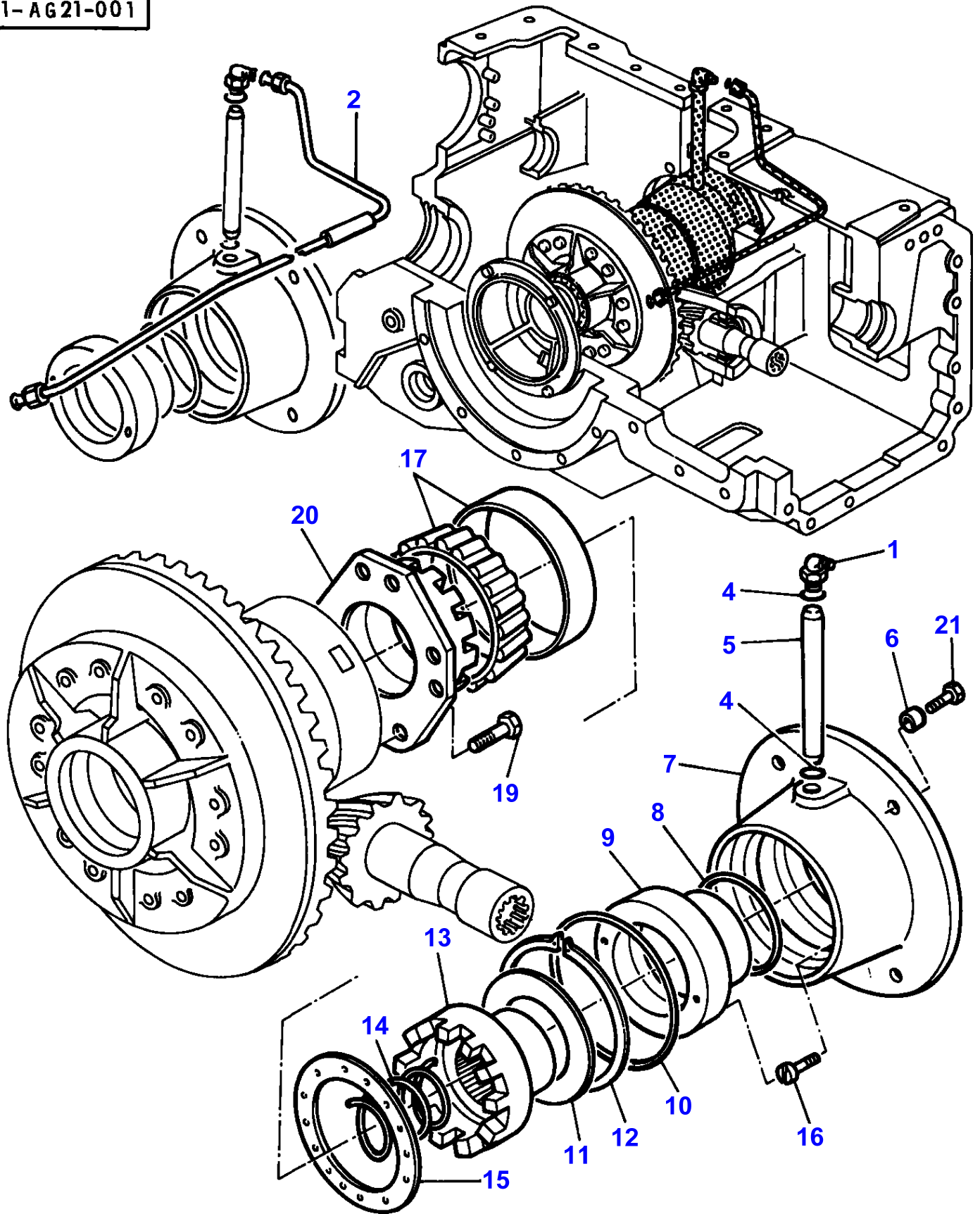
1-AG22-502-A



REAR AXLE DIFFERENTIAL-WITH HYDROMECHANICAL LOCK

Item	Part Number	Qty	Description	Comments
1	3042578M91	1	Housing	Up to Serial or Engine Number E163033
	3714981M11	1	Kit, Wobble Box	From Serial or Engine Number E163034
2	3618697M91	1	Kit, Bevel Gear	[B] 9X41
2	3615328M91	1	Kit, Bevel Gear	9X41
3	3405249M91	1	Bearing Taper	
4		1	Housing	(1) Not serviced, order REF 1
5	375094X1	1	Pin	
6	3009106X91	1	Bearing Taper	
7		1	Cone	(6) Not serviced, order REF NO 6
8		1	Race	(6) Not serviced, order REF NO 6
9	832566M1	4	Screw	Diameter 1/2" Length 38MM
9	362515X1	4	Screw	[B] Diameter 1/2" Length 32MM
10	1626464M3	1	Sleeve	
11	1610270M2	1	Plate	
	3618762M1	1	Plate	[B]
12	1610280M1	X	Shim	Thickness 0,457MM
	1610281M1	X	Shim	Thickness 0,254MM
	1610282M1	X	Shim	Thickness 0,127MM
	1610283M1	X	Shim	Thickness 0,005MM
13	3930274M92	1	Loctite	
14	891947M1	12	Nut Special	
15	825776M1	12	Screw Special	
16	832566M1	8	Screw	
17	3383364M1	1	Support	
18	1851533M91	1	Bearing Assy	
19	12263X	1	Plug	Up to Serial or Engine Number 31/01/1993
20	14012X	1	Plug	Up to Serial or Engine Number 31/01/1993
21		1	Housing	(1) Not serviced, order REF 1
22	2746135M2	1	Crosspiece	
23	885518M1	2	Gear	
24	3387282M1	2	Washer	Up to Serial or Engine Number E163033
25	2746322M1	4	Pinion	
26	3387281M1	4	Washer	
27	339678X1	1	Segment	[B]
28	339194X1	1	Pin	[B]
29	3618770M1	1	Sleeve	[B] Two Wheel Drive
30	3714982M1	2	Bush	(1) From Serial or Engine Number E163034
				[A] HEAVY DUTY
				[B] WITH HEAVY DUTY TRANSMISSION

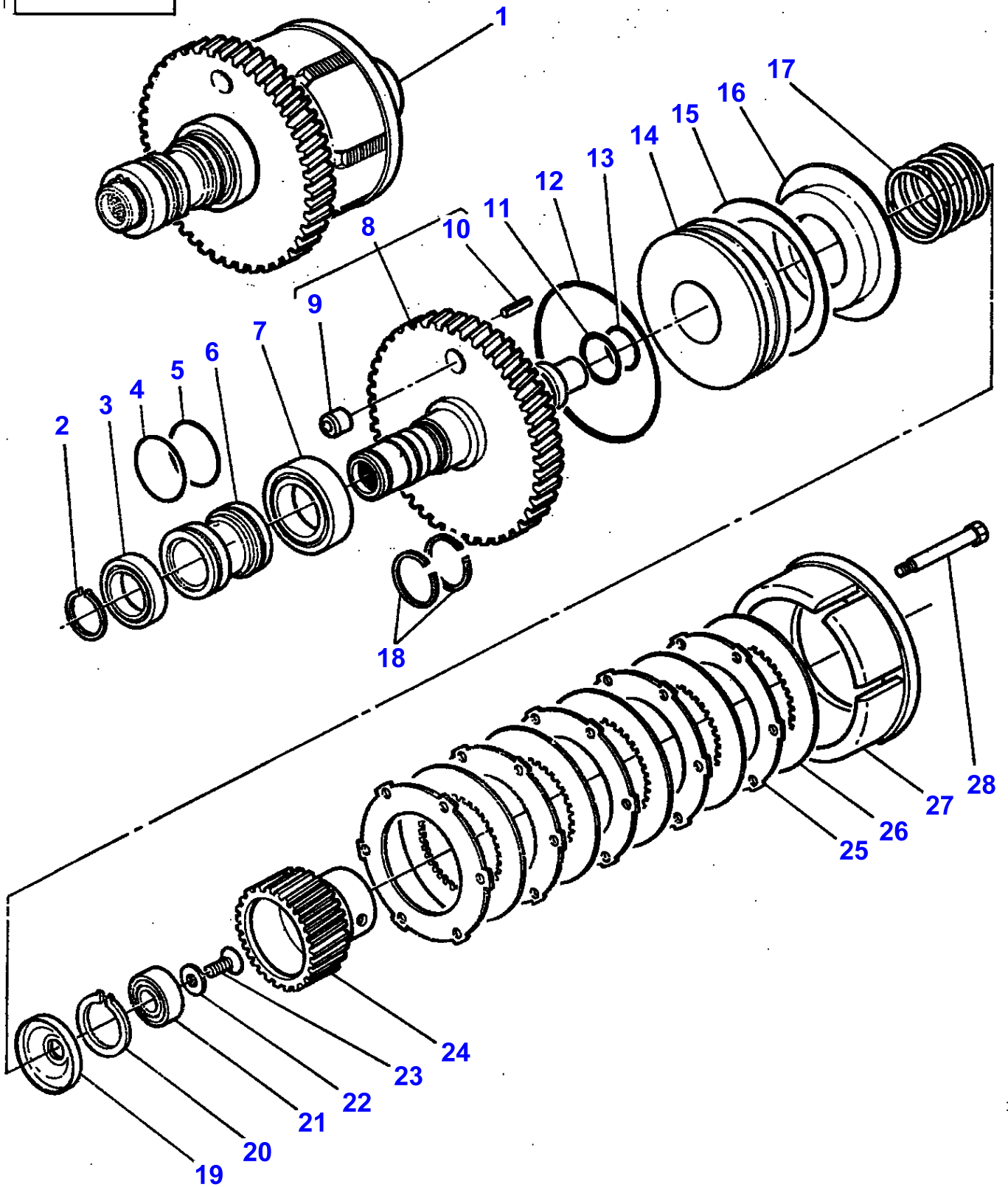
1-AG21-001



REAR AXLE DIFFERENTIAL LOCK MECHANISM-HYDROMECHANICAL

Item	Part Number	Qty	Description	Comments
1	3385713M91	1	Union	
2	3386931M96	1	Tube	
4	377494X1	2	O Ring	
5	3385685M2	1	Tube	
6	1611422M1	1	Bush	
7	3385687M1	1	Support	
8	152613M1	1	O Ring	
9	3382480M1	1	Piston	
10	359118X1	1	O Ring	
11	897726M1	1	Washer	
12	356005X1	1	Clip	
13	3382477M3	1	Coupling	
14	3382481M2	1	Spring	
15	521401M1	X	Shim	Thickness 0,61-0,66MM
	187689M1	X	Shim	Thickness 0,73-0,78MM
	892173M1	X	Shim	Thickness 0,864-0,914
	892172M1	X	Shim	Thickness 0,991-1,041
	892171M1	X	Shim	Thickness 1,118-1,168
	892170M1	X	Shim	Thickness 1,245-1,295
	191124M1	X	Shield	Thickness 1,37-1,42MM
	191125M1	X	Shim	Thickness 1,49-1,54MM
16	3382377M1	1	Centraliser	
17	1850909M91	1	Bearing Assy	
19	362782X1	8	Screw	
20	3382476M1	1	Coupling	
21	832566M1	8	Screw	

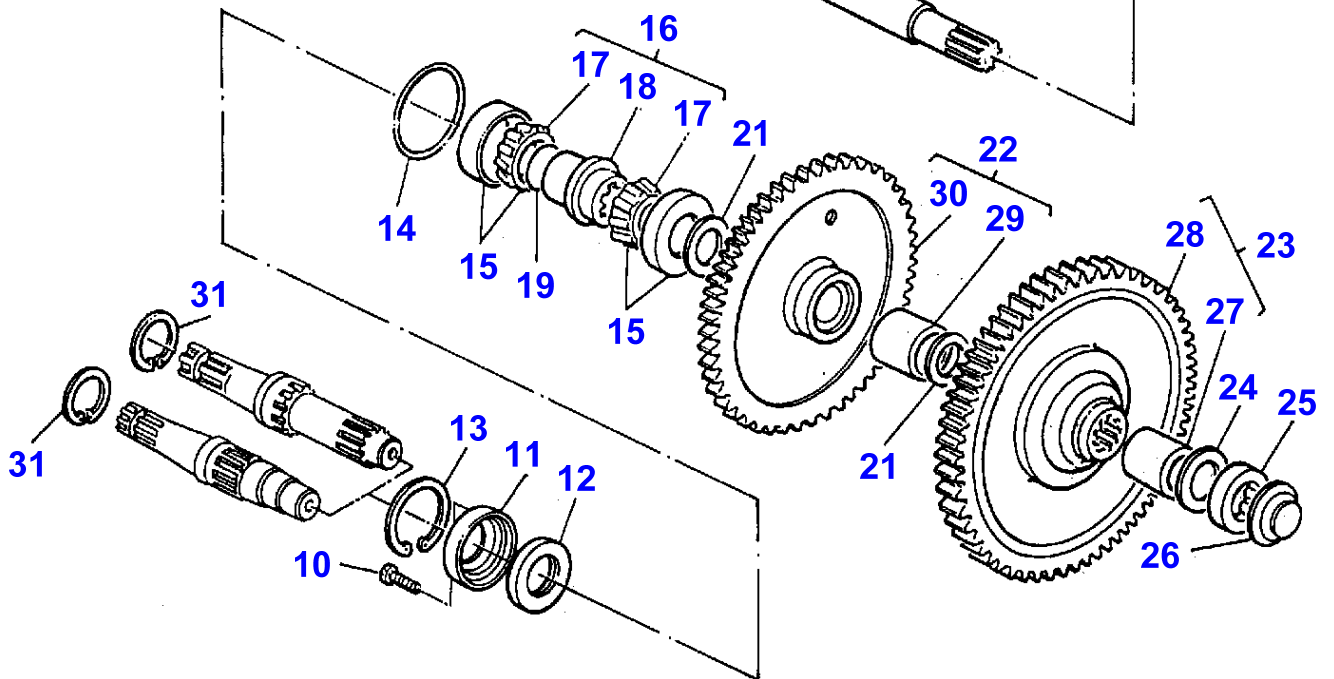
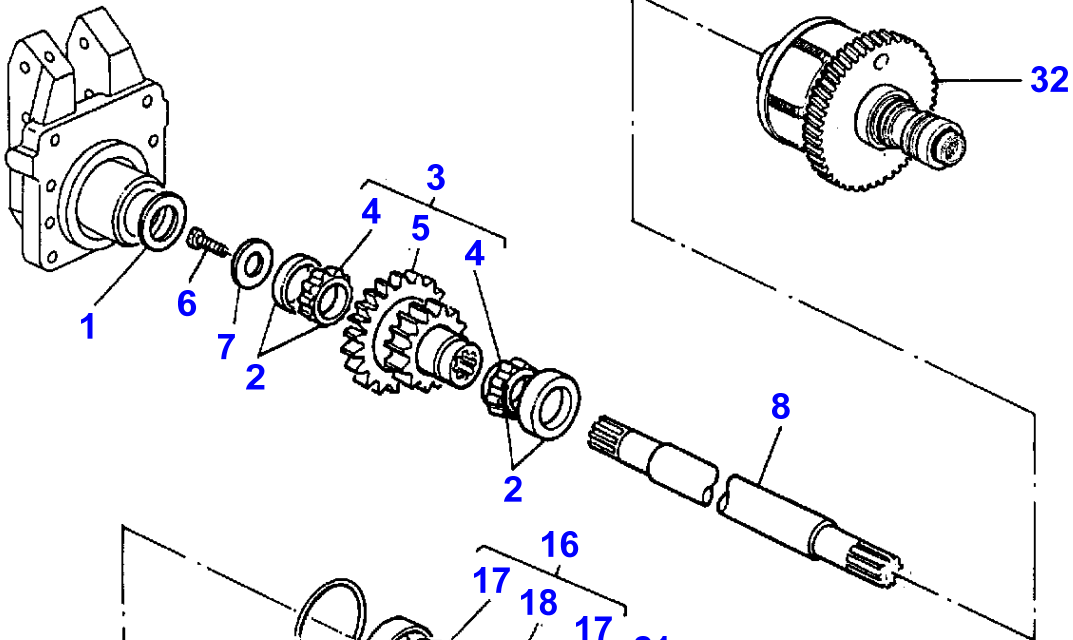
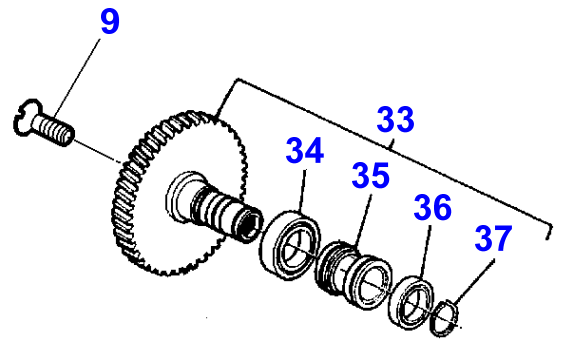
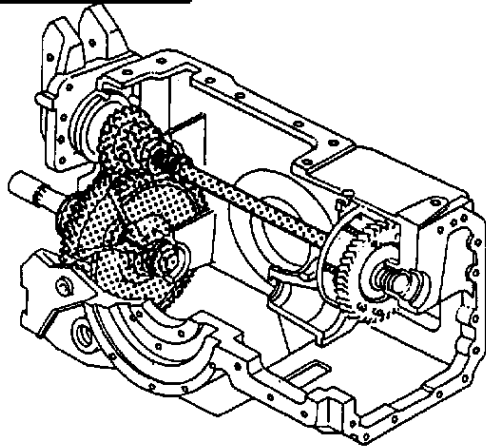
1-AG23-013



INDEPENDANT POWER TAKE OFF CLUTCH

Item	Part Number	Qty	Description	Comments
1	3615678M91	1	Clutch	Up to Serial or Engine Number B342005
	3619779M93	1	Clutch	From Serial or Engine Number B342006
				Up to Serial or Engine Number C123025
1	3712743M11	1	Clutch	From Serial or Engine Number C123026
				3712743M91
2	391832X1	1	Circlip	(1)
3	834820M1	1	Bearing Assy	(1)
4	3007077X1	1	Gasket	(1)
5	365801X1	1	Ring	(1)
6	3384388M1	1	Hub	(1)
7	3002233X1	1	Bearing Assy	(1)
8	3615675M91	1	Housing	(1)
				Up to Serial or Engine Number B343031
8	3712498M1	1	Housing	(1)
				From Serial or Engine Number B328032
				Up to Serial or Engine Number B342005
8	3619778M92	1	Housing	(1)
				From Serial or Engine Number B342006
				Up to Serial or Engine Number C123025
8	3712741M11	1	Housing	(1)
				From Serial or Engine Number C123026
				3712741M91
9	1872134M92	1	Valve Check	(8)
10	3006444X1	2	Pin	(8)
11	3582934M1	1	Gasket	(1)
12	3582933M1	1	Gasket	(1)
13	832038M1	1	O Ring	(1)
14	3387193M1	1	Piston	(1)
15	3619148M1	1	Cup Spring	(1)
				Repairs and replaces 3582894M1
16	3387198M1	1	Support	(1)
17	3582893M1	1	Spring	(1)
18	3384502M1	2	Segment	(1)
19	3387199M1	1	Spring	(1)
				Up to Serial or Engine Number B342005
19	3619555M1	1	Spring	(1)
				From Serial or Engine Number B342006
20	3019350X1	1	Ring	(1)
				Up to Serial or Engine Number B342005
20	339895X1	1	Ring	(1)
				From Serial or Engine Number B342006
21	339073X1	1	Bear. 6004	(1)
22	3389211M1	1	Washer	(1)
23	3009450X1	1	Screw	(1)
24		1	Hub	(1)
				Up to Serial or Engine Number B342005
				Not serviced, order 3712783M91
24	3712671M1	1	Hub	(1)
				From Serial or Engine Number B342006
				Up to Serial or Engine Number C123025
24	3619553M1	1	Hub	(1)
				From Serial or Engine Number C123026
25	3387346M1	5	Counterplate	(1)
26	3387347M1	5	Disc	(1)
27	3387192M1	1	Cover	(1)
28	3010173X1	6	Screw	(1)
				M6X52

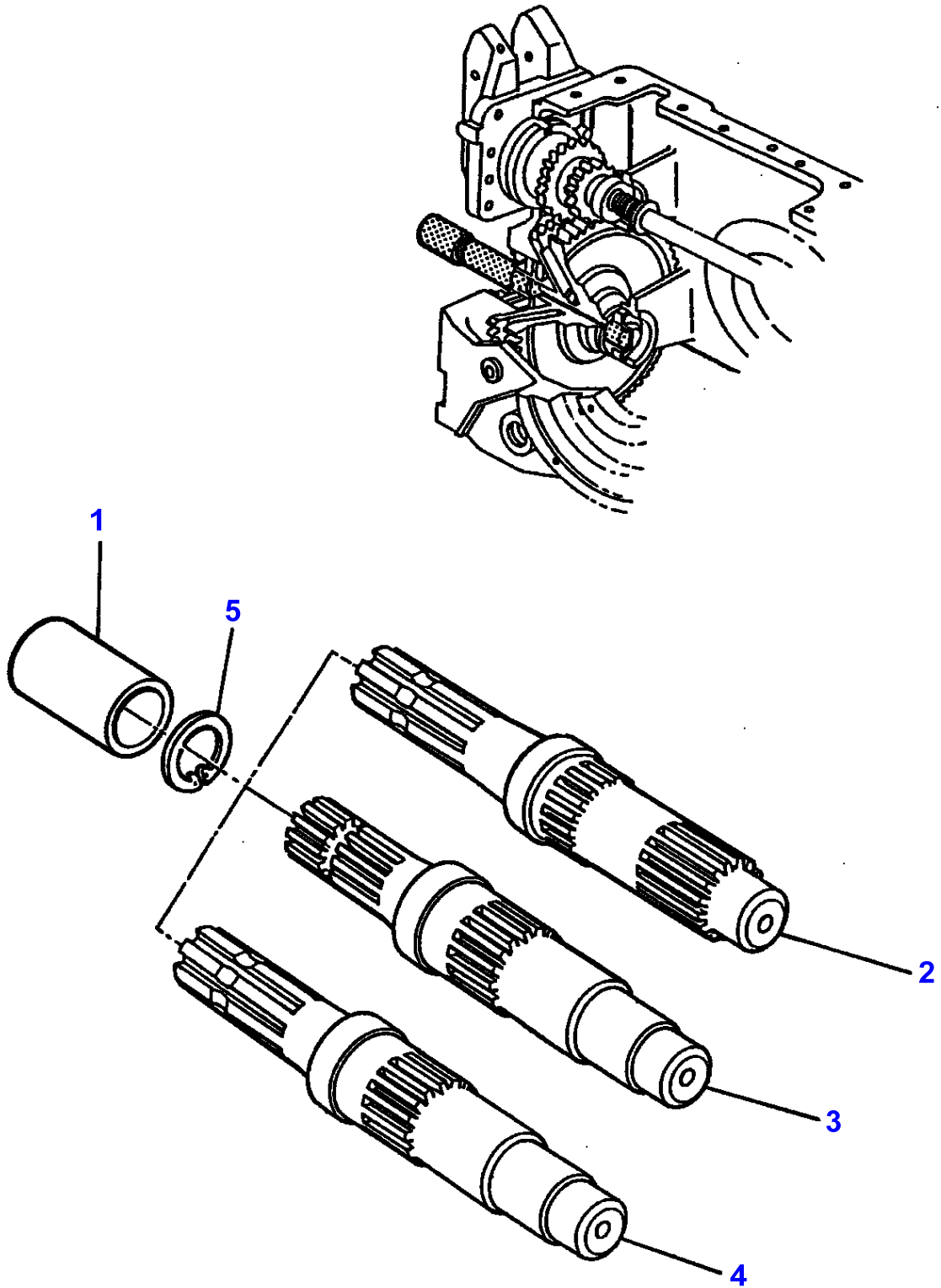
1-AG24-022



INDEPENDANT POWER TAKE OFF DRIVE MECHANISM-TWO SPEED

Item	Part Number	Qty	Description	Comments
1	1610225M1	X	Shim	
2	968636M91	2	Bearing Assy	
3	3619205M11	1	Pinion	Number of teeth/spines 29/44 3619205M91
3	3712001M1	1	Pinion	[B] PTO 750TR/MN
4		2	Cone	(3) Not serviced, order REF 2
5		1	Pinion	(3) Not serviced, order REF 3
6	3389619M1	1	Screw	M10X22
7	3389620M1	1	Washer	
8	3384628M2	1	Shaft	Up to Serial or Engine Number B344000
	3712669M1	1	Shaft	From Serial or Engine Number B344001
				Up to Serial or Engine Number C123025
8	3384628M2	1	Shaft	From Serial or Engine Number C123026
9	3009450X1	1	Screw	[A]
10	339563X1	1	Screw Metric	
11	3582889M2	1	Sealing Holder	
12	3383568M1	1	Seal	
13	3380452M1	1	Clip	Thickness 3,77-3,82MM
	3380453M1	1	Clip	Thickness 3,55-3,60MM
	3380454M1	1	Clip	Thickness 3,35-3,40MM
14	359107X1	1	O Ring	
15	968634M91	2	Bearing Assy	Alternative 3010192X91
	3010192X91	2	Bearing Taper	Alternative 968634M91
16	3322555M12	1	Hub	3322555M92
17		2	Cone	(16) Not serviced, order REF 15
18		1	Hub	(16) Not serviced, order REF 16
19	1610254M1	1	O Ring	
21	1610243M2	2	Washer	
22	3052440M91	1	Pinion	Number of teeth/spines 92
23	3387509M91	1	Pinion	Number of teeth/spines 107
	3712002M91	1	Pinion	[B] PTO 750TR/MN
24	1610244M1	1	Washer	
25	1612707M1	1	Bearing Assy	
26	1612708M2	1	Plug	
27	1610247M1	1	Bush	(23)
28		1	Pinion	(23) Not serviced, order REF 23
29	1610247M1	1	Bush	(22)
30		1	Pinion	(22) Not serviced, order REF 22
31	3322250M3	1	Clip	
32		1	Clutch	See Page - Reference Number 178/
33	3615690M91	1	Pinion	[A] Up to Serial or Engine Number B328031
33	3712498M1	1	Housing	From Serial or Engine Number B328032
				Up to Serial or Engine Number B342005
33	3619832M92	1	Pinion	[A] From Serial or Engine Number B342006
				Up to Serial or Engine Number C123025
33	3712742M11	1	Pinion	[A] From Serial or Engine Number C123026
				3712742M91
34	3002233X1	1	Bearing Assy	[A] (33)
35	3384388M1	1	Hub	[A] (33)
36	834820M1	1	Bearing Assy	[A] (33)
37	391832X1	1	Circlip	[A] (33)
				[A] WITHOUT IPTO
				[B] WITH WET CLUTCH

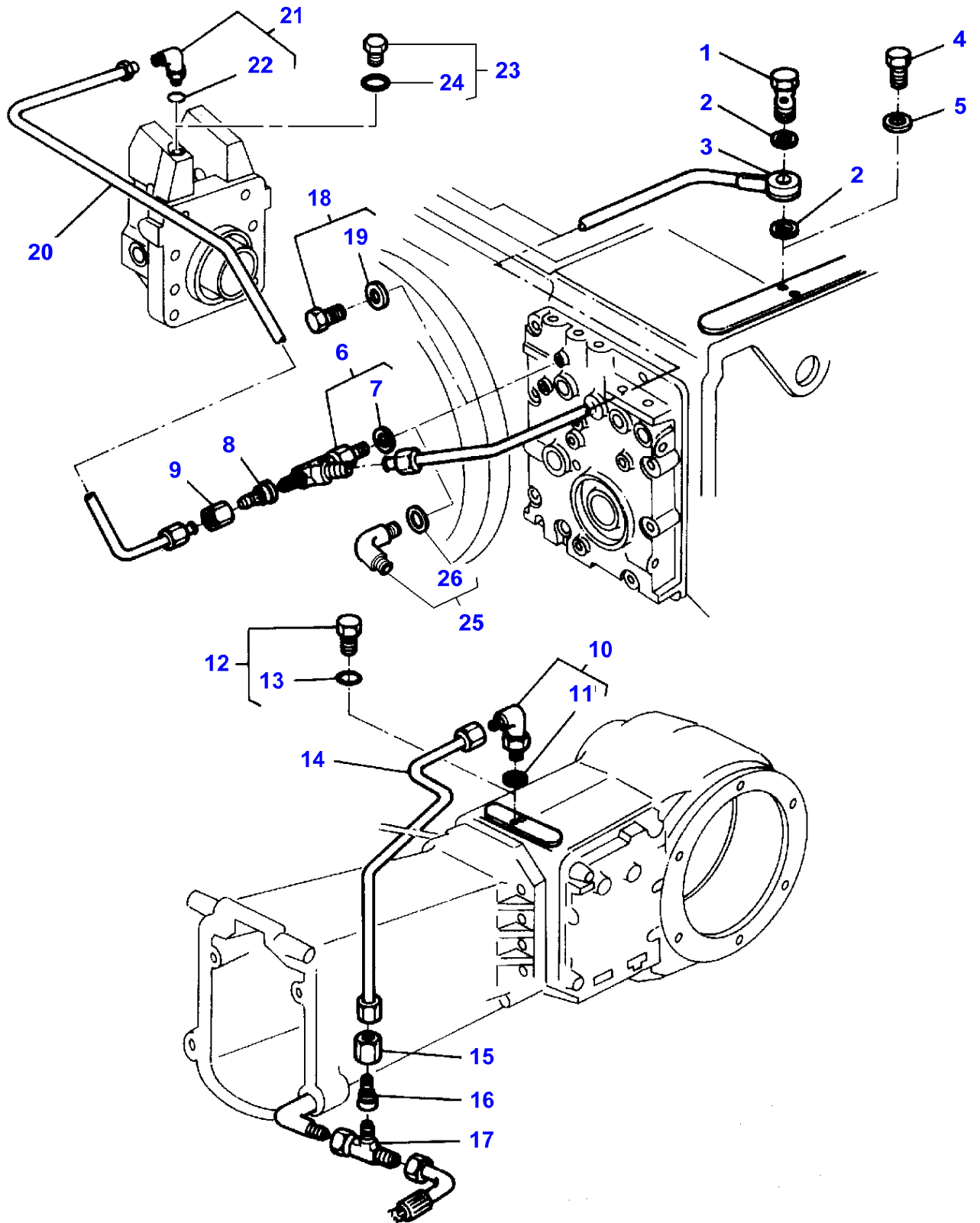
1-AG24-017



MASSEY FERGUSON**MF 3690 TRACTOR - 1637223****1637223****INDEPENDANT POWER TAKE OFF DRIVE MECHANISM-TWO SPEED - SHAFT****180**

Item	Part Number	Qty	Description	Comments
				SHAFT
1	3038717M1	2	Protector	[A]
	3580498M1	1	Protector	[B]
2	3321752M6	1	Pto Shaft 540	Number of teeth/spines 6 Diameter 34MM
3	3321750M6	1	Pto Shaft 1000	Number of teeth/spines 21 Diameter 34MM
4	3583342M4	1	Pto Shaft 1000	Number of teeth/spines 6 Diameter 34MM
5	3322250M3	1	Clip	
				[A] PLASTICS (ABS)
				[B] STEEL

1-AG24-023



INDEPENDANT POWER TAKE OFF DRIVE MECHANISM-TWO SPEED - PIPES

Item	Part Number	Qty	Description	Comments
				PIPES
1	3617467M2	1	Banjo Bolt	
2	3010142X1	2	Washer	
3	3617473M92	1	Tube	
4	3019642X1	1	Plug	[A]
5	3010142X1	1	Washer	
6	3019625X91	1	Teepiece	
7	3019394X1	1	O Ring	(6)
8	356627X1	1	Adaptor	
9	195960M1	1	Nut	
10		1	Elbow Nipple	Up to Serial or Engine Number B147024 Not serviced, order 3900991M91
10	3619500M1	1	Union	From Serial or Engine Number B147025
11	3019394X1	1	O Ring	(10)
12	3019638X1	1	Plug	[A]
13	3019394X1	1	O Ring	(12)
14		1	Tube	Up to Serial or Engine Number B147024 Not serviced, order 3900991M91
14	3619486M92	1	Tube	From Serial or Engine Number B147025
	3619486M92	1	Tube	[C,D] Up to Serial or Engine Number C139032
15	195960M1	1	Nut	
16		1	Union	Up to Serial or Engine Number B147024 Not serviced, order 3900991M91
16	356627X1	1	Adaptor	From Serial or Engine Number B147025
17	364735X1	1	Union	
18	3019641X91	1	Plug	[A]
19	3019396X1	1	O Ring	(18)
20	3617514M91	1	Tube	
21	3019412X91	1	Elbow	
22	3019395X1	1	O Ring	(21)
23	3019639X91	1	Plug	[B]
24	3019395X1	1	O Ring	(23)
25	3019414X91	1	Union	[B]
26	3019396X1	2	O Ring	[B] (25)

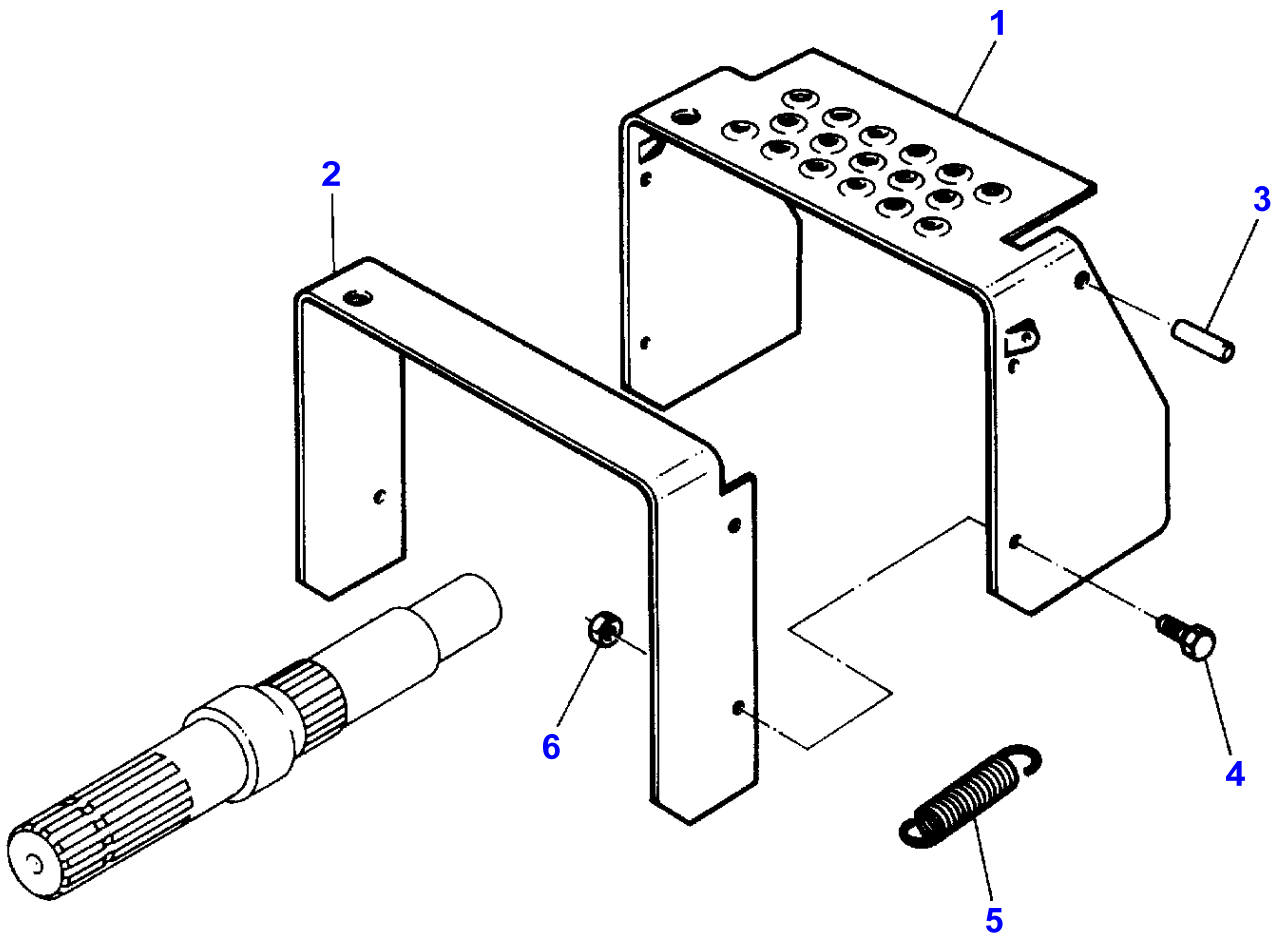
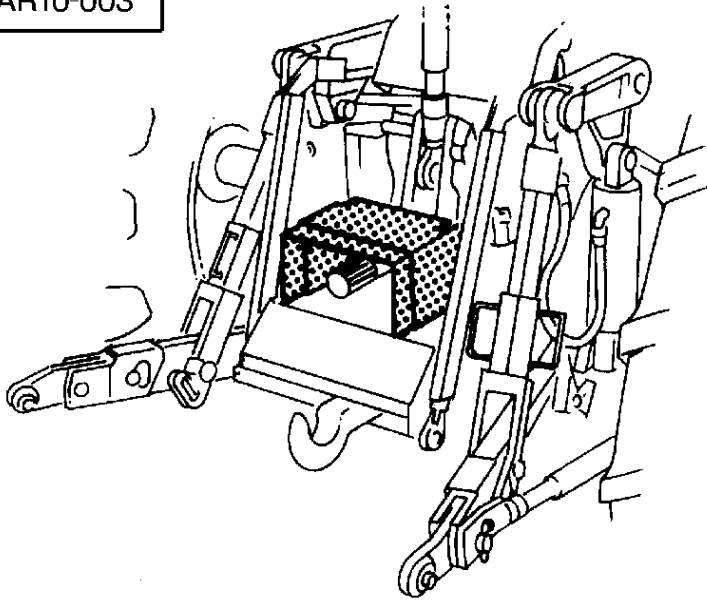
[A]
WITHOUT IPTO

[B]
WITHOUT PTO BRAKES

[C]
WITH HEAVY DUTY TRANSMISSION

[D]
WITH DYNASHIFT

1-AR10-003

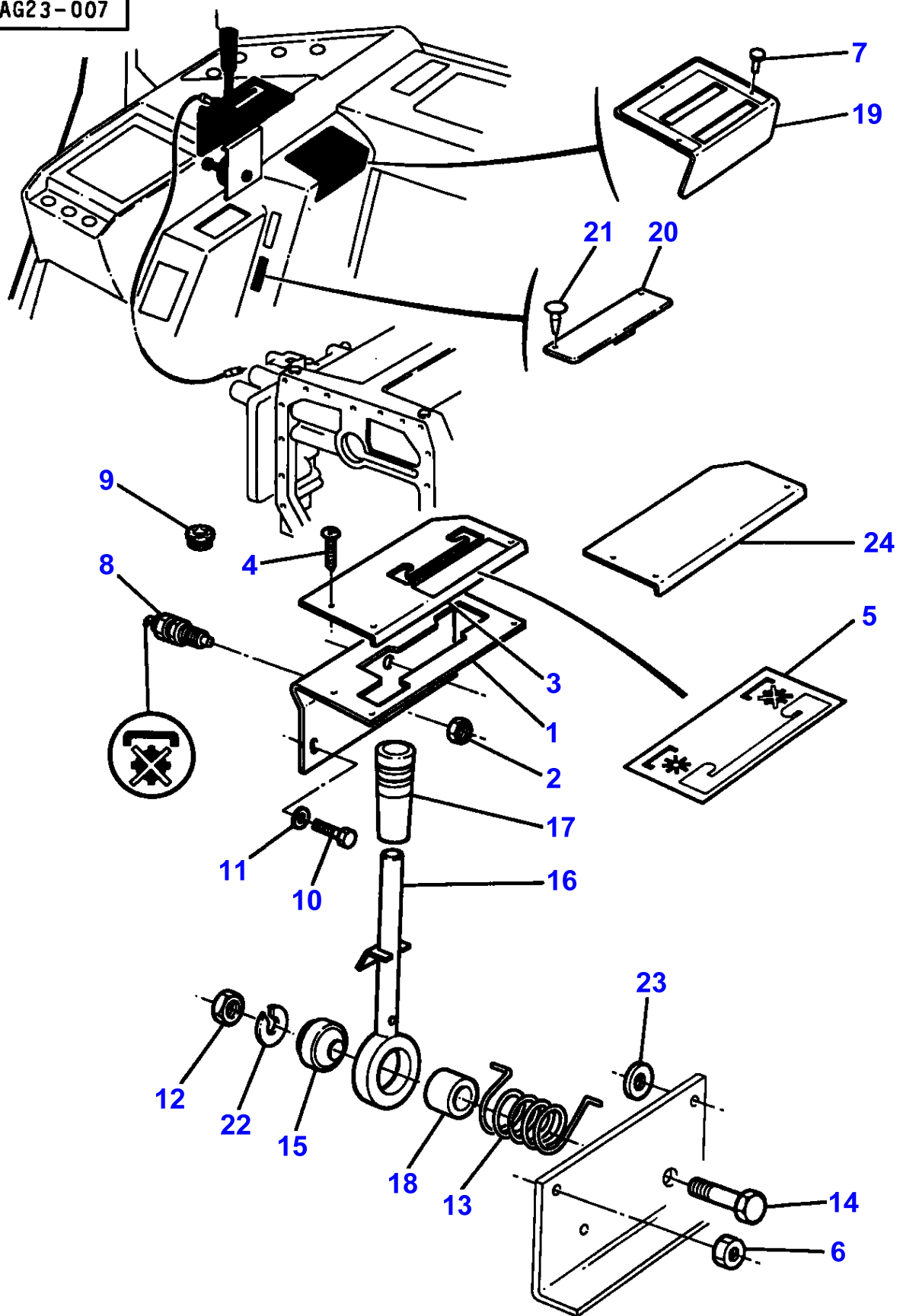


GUARD-PTO

Item	Part Number	Qty	Description	Comments
1	3616764M91	1	Cowl	[A] See Page - Reference Number 382/ From Serial or Engine Number A051013
2	3616757M1	1	Extension	
3	3019541X1	2	Roll Pin	
4	339560X1	4	Screw Metric	M6X16
5	3616740M2	2	Spring	Right Hand Left Hand Up to Serial or Engine Number B092012
5	3618684M1	1	Spring	Left Hand From Serial or Engine Number B092013
6	339030X1	4	Nut Metric	M6

[A]
THE APPROPRIATE SAFETY DECALS MUST BE ORDERED AND FITTED TO THIS PART

1-AG23-007



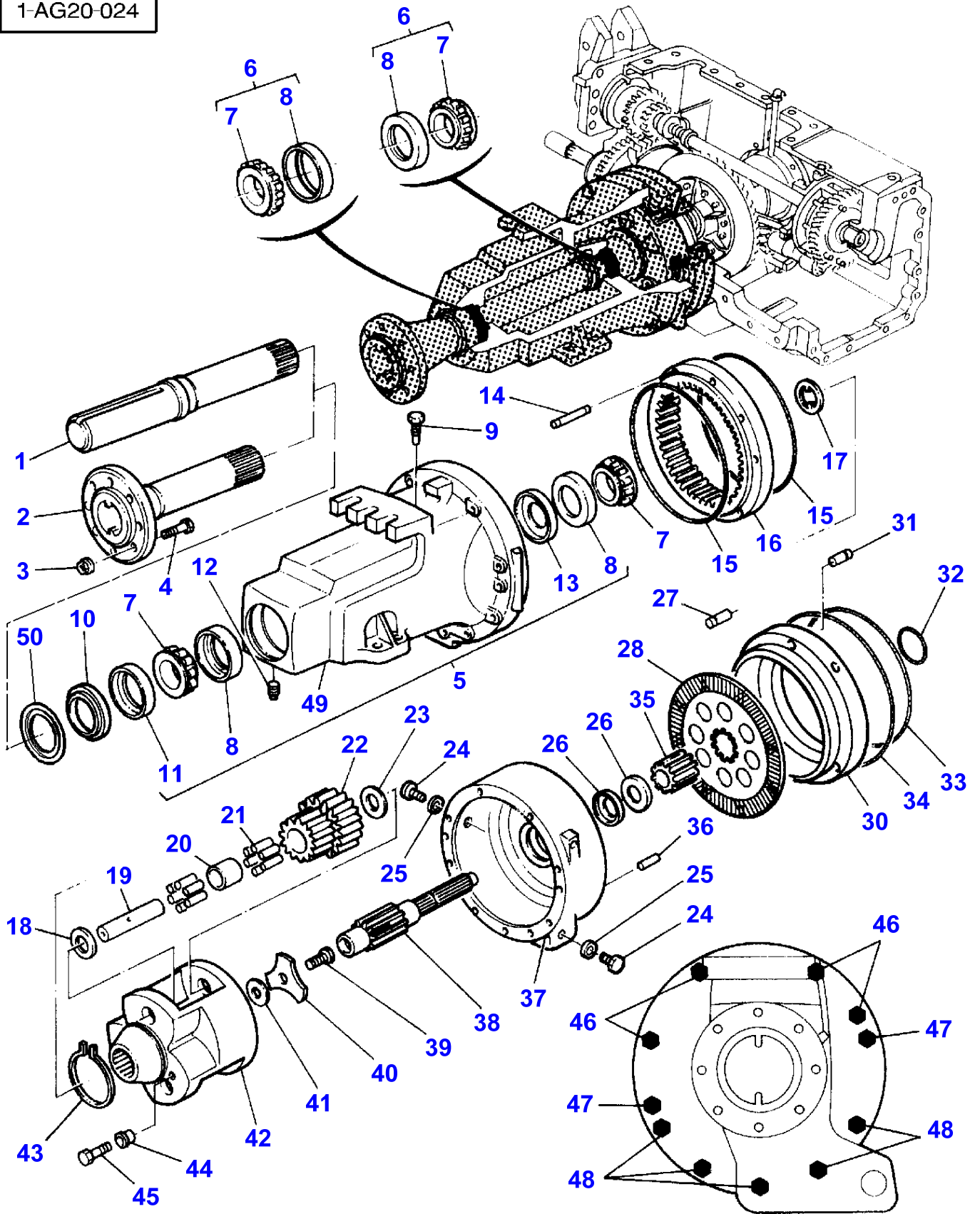
Item	Part Number	Qty	Description	Comments
------	-------------	-----	-------------	----------

				DRIVING LEVER
1	3580546M1	1	Support	
2	339571X1	1	Nut Metric	
3	3388799M3	1	Grille	
4	3580117M1	3	Self Tap Screws	
5	3581188M1	1	Decal	
6	339169X1	1	Nut Metric	
7	3616374M1	3	Rivet	
8	3386171M1	1	Switch,Indirect	
9	3580982M1	1	Plug	
10	339228X1	1	Screw Metric	M8X12
	339123X1	1	Screw Metric	M8X20
11	390972X1	3	Washer Metric	
12	3009695X1	1	Nut Metric	
13	3388907M2	1	Spring	
14	3009512X1	1	Bolt Metric	
15	3388806M1	1	Toggle	
16	3388897M98	1	Lever	
17	3387529M2	1	Handle	
	339169X1	1	Nut Metric	[A,B]
	3900990M1	1	Note Plate	[A,B]
18	3388803M1	1	Spacer	
19	3582264M2	1	Cover	
20	3580258M91	1	Plate	
21	3580271M1	2	Rivet	
22	353439X1	1	Lock Washer	
23	385361X1	1	Washer Metric	

[A]
AUSTRIA

[B]
NO ILLUSTRATED

1-AG20-024



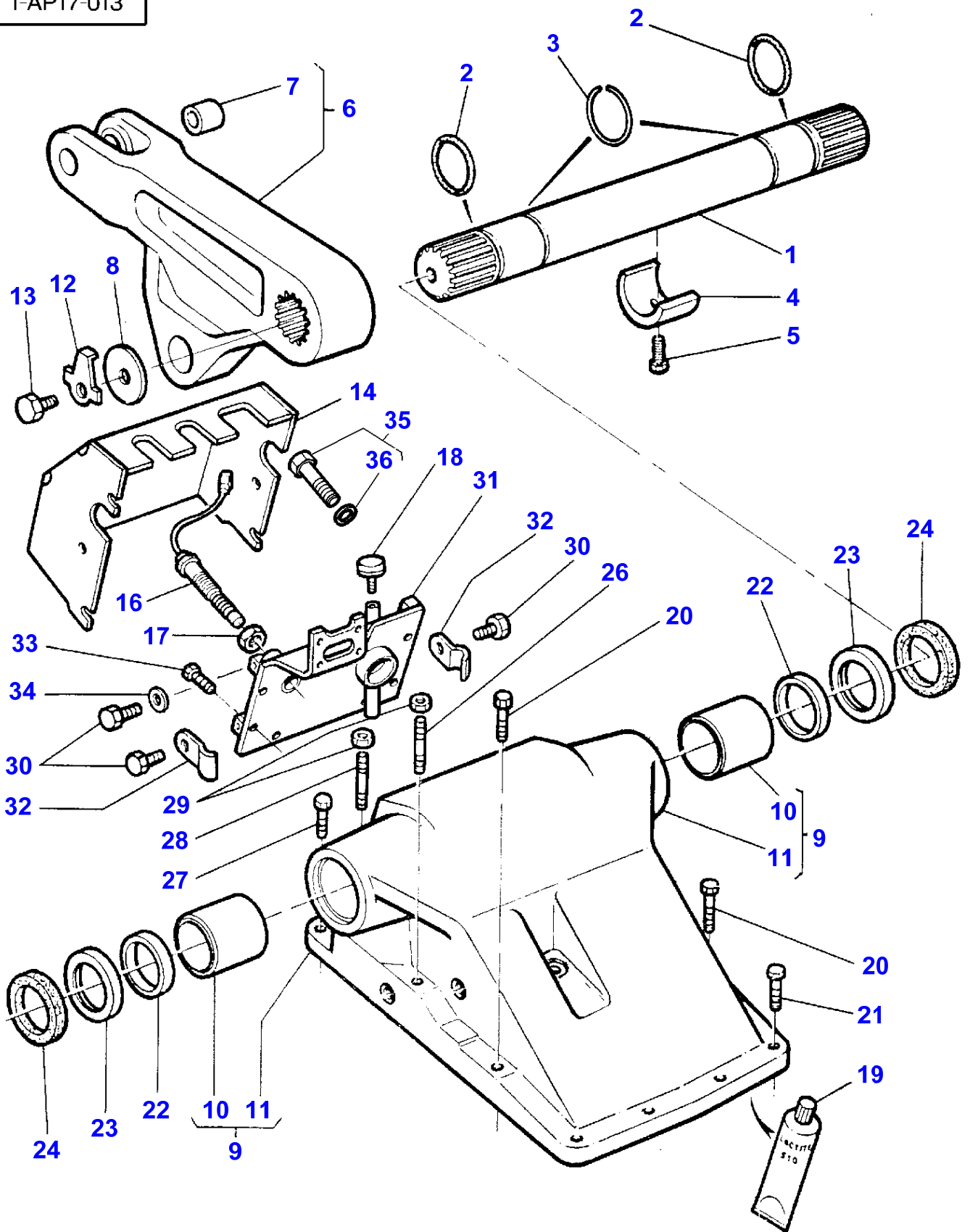
Item	Part Number	Qty	Description	Comments
				WITH COMPOSITE REDUCER
1	3615416M1	2	Shaft	Up to Serial or Engine Number A170032 Length 1057MM
1	3618047M1	2	Shaft	From Serial or Engine Number A170033 Length 1053,5MM
1	3615415M1	2	Shaft	Up to Serial or Engine Number A317037 Length 841,5MM
1	3618046M1	2	Shaft	From Serial or Engine Number A317038 Length 804,5MM
2	3583795M3	2	Shaft	
3	3384597M1	1	Nut	Diameter M18
4	3384601M3	16	Stud	M18X100
	3384602M3	16	Stud	M18X70
5	3615729M11	1	Axle Housing	Right Hand 3615729M91
5	3615730M11	1	Axle Housing	Left Hand 3615730M91
6	3383709M1	4	Bearing Taper	
7		4	Bearing Assy	(6) Not serviced, order REF NO 6
8		4	Race	(5) Not serviced, order REF NO 6
9	3619001M1	2	Breather	
10	3583530M2	2	Seal	
11	3580619M2	1	Dust Shield	(5)
12	355547X1	2	Plug	
13	3580621M1	1	Seal	(5)
14	3615934M1	2	Clevis Pin	
15	3010064X1	4	O Ring	
16	3583791M1	2	Crownwheel	
17	3580458M1	2	Washer	Diameter 95,4MM
18	3615202M1	1	Stop	Thickness 1,55/1,45MM
	3615200M1	1	Stop	Thickness 3,55/3,45MM
	3615201M1	1	Stop	Thickness 0,55/0,45MM
19	3615147M1	6	Clevis Pin	
20	3615182M1	6	Bush	
21	3616525M1	216	Needle	
22	3583790M1	6	Diff Pinion	
23	3615200M1	6	Stop	
24	3583993M1	2	Plug	
25	3019397X1	2	O Ring	
26	3582195M1	4	Seal	
27	3385836M3	6	Centraliser	Length 29,4MM
28	3616538M92	2	Disc	Up to Serial or Engine Number A294002
	3617649M91	2	Disc	From Serial or Engine Number A294003
30	3617620M2	2	Piston	
31	3385836M3	2	Centraliser	Length 29,4MM
32	380005X1	2	Clip	
33	3382189M1	2	O Ring	Up to Serial or Engine Number D068032
	3617901M1	2	O Ring	From Serial or Engine Number D068033
34	3382190M1	2	O Ring	Up to Serial or Engine Number D068032
	3617902M2	2	O Ring	From Serial or Engine Number D068033
35	3582194M1	2	Hub	
36	1612150M1	2	Clevis Pin	
37	3616544M2	1	Spacer	Right Hand
	3616545M2	1	Spacer	Left Hand
38	3583789M1	2	Planet	
39	3008654X1	1	Screw	Diameter M20X45
40	3580436M1	2	Washer	
41	519955M1	1	Shim	Thickness 0,13MM
	519954M1	1	Shim	Thickness 0,05MM
	519956M1	1	Shim	Thickness 0,25MM
	519957M1	1	Shim	Thickness 0,45MM
42	3583792M2	2	Carrier	
43	3615183M1	2	Ring	
44	3046114M1	2	Bush	
45	366584X1	2	Screw	
46	3615295M1	8	Stud	
	3019575X1	8	Washer Metric	

MASSEY FERGUSON**MF 3690 TRACTOR - 1637223****1637223****SHORT REAR AXLE HOUSINGS-OUTER FINAL DRIVE GEAR - WITH COMPOSITE REDUCER****184**

Item	Part Number	Qty	Description	Comments
46	377641X1	8	Nut Unf	
47	354671X1	4	Screw	
48	377641X1	10	Nut Unf	
48	3019575X1	10	Washer Metric	
48	3615296M1	10	Stud	
49		1	Axle Housing	(5) Not serviced, order REF. NO 5
50	3619138M1	2	Seal	[A] Diameter 101,31 MM From Serial or Engine Number E033001

[A]
"PADDY" TYPE SEALING

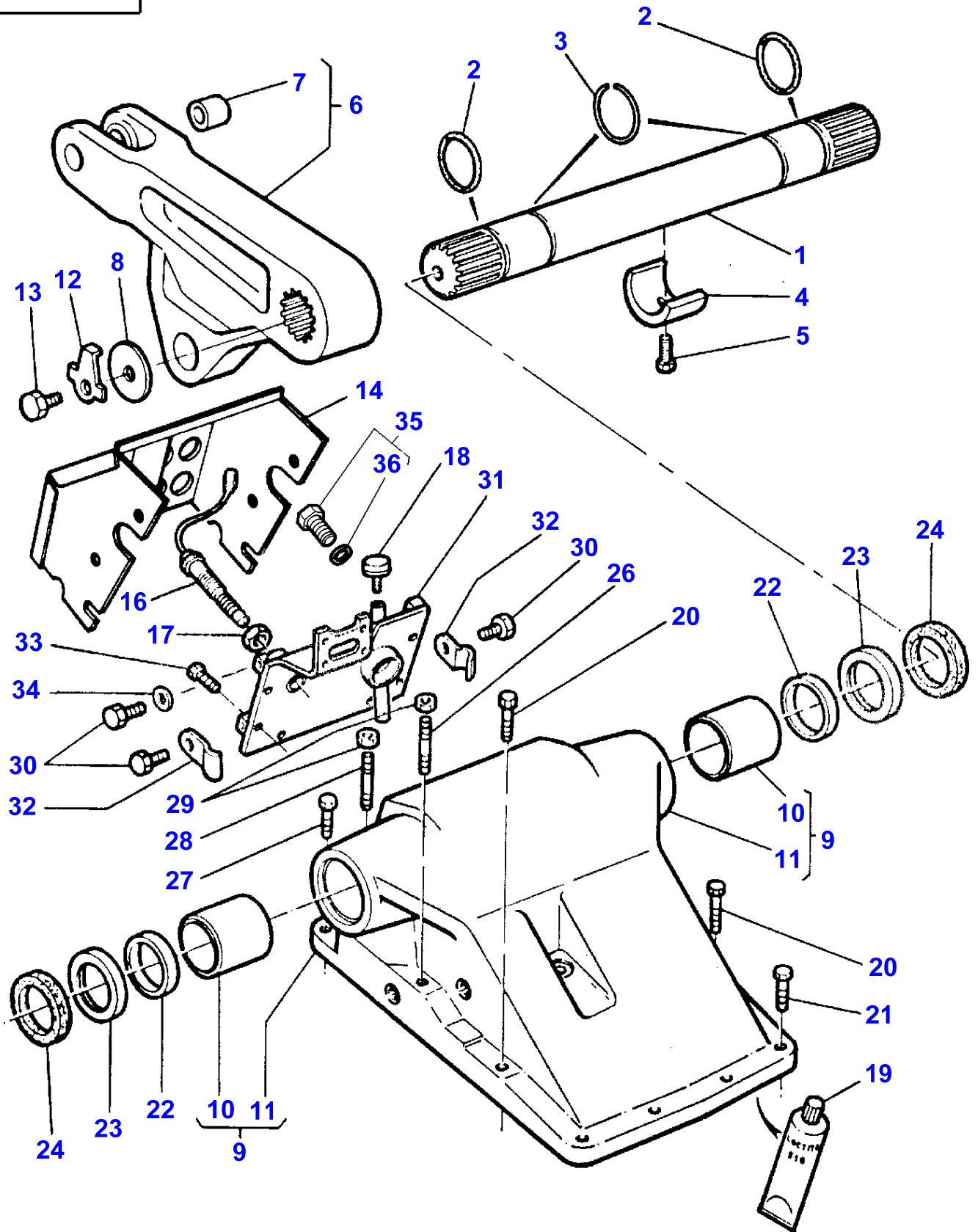
1-AP17-013



ELECTRONIC LIFT-HYDRAULIC LIFT COVER

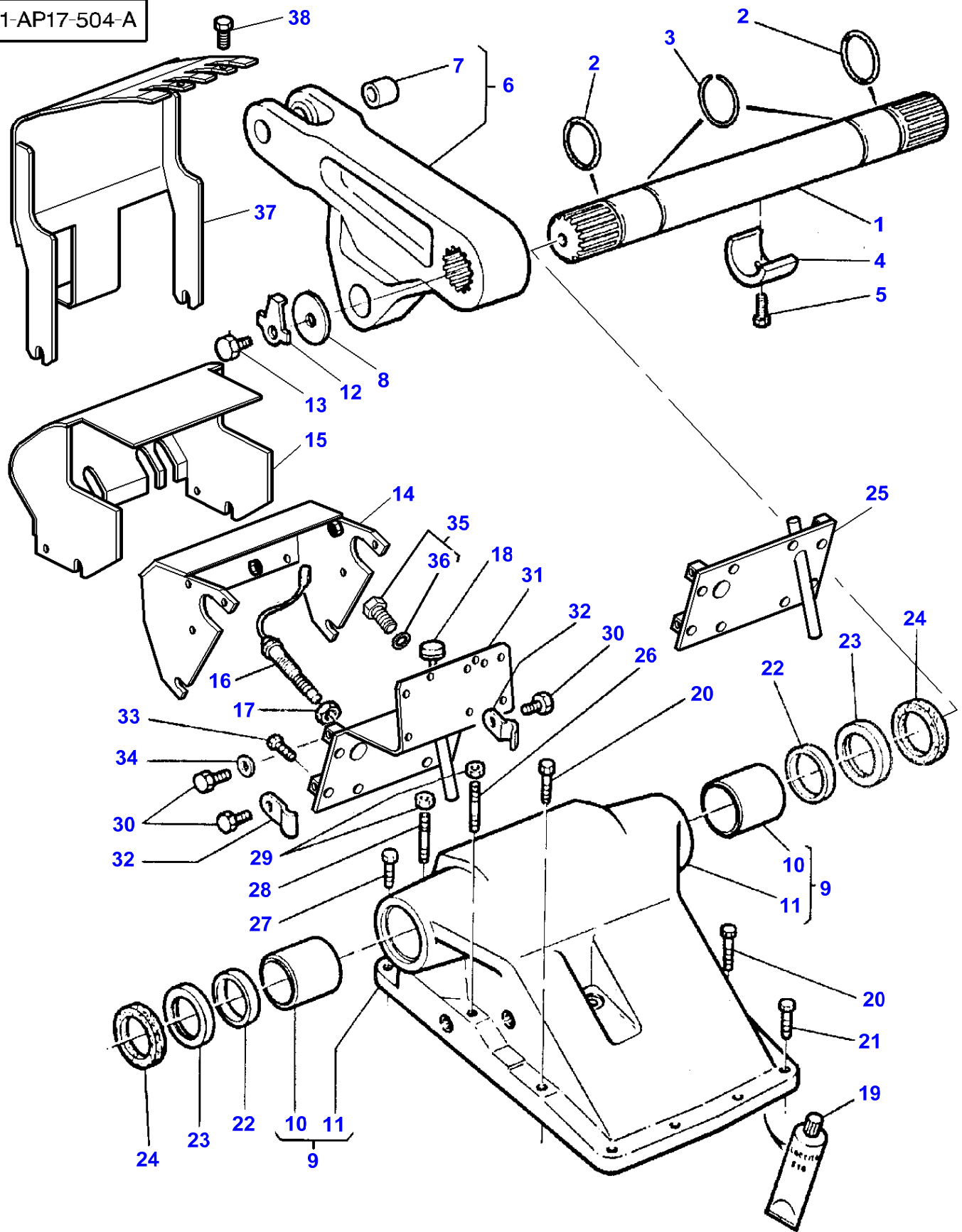
Item	Part Number	Qty	Description	Comments
1	3052627M2	1	Shaft	
2	1504212M1	2	Ring	
3	3045417M1	2	Clip	
4	3380936M1	1	Cam	
5	353667X1	1	Screw Unc	
6	3042066M14	1	Arm	Left Hand 3042066M94
6	3042067M14	1	Arm	Right Hand 3042067M94
7	1619124M1	2	Bush	(6)
8	1610037M2	2	Washer	
9	3582371M13	1	Cover	3582371M93
10	3713827M1	2	Bearing	(9)
11		1	Cover	Repairs and replaces 3045422M1 (9) Not serviced, order REF 9
12	3042124M1	2	Brake	
13	353593X1	2	Screw Unf	Diameter 1/2" Length 20MM
14	3387732M97	1	Cover	Up to Serial or Engine Number B133032
	3387732M97	1	Cover	From Serial or Engine Number B133033
16	3387376M1	1	Inductive Taker	
17	3385674M1	1	Nut	
18	3380216M1	1	Breather	
19	1633270M3	1	Loctite	
20	353729X1	2	Bolt Unc	Diameter 5/8" Length 64MM
21	353726X1	7	Screw Unc	Diameter 5/8" Length 38MM
22	3045416M1	2	Sleeve	
23	3040805M1	2	Gasket	
24	3045418M1	2	Gasket	
26	658175M1	2	Stud	
27	368445X1	1	Screw	[B] Diameter 5/8" Length 70MM
27	353726X1	1	Screw Unc	[C] Diameter 5/8" Length 38MM Length 83MM
28	3714825M1	2	Stud	
29	353427X1	4	Nut Unf	
30	339124X1	4	Screw Metric	Diameter M8X1,25 Length 16MM
31	3387709M98	1	Cover	
32	3387756M1	2	Strap	
33	338481X1	8	Screw	
34	390972X1	2	Washer Metric	
35	3019639X91	1	Plug	[A] M14
36	3019395X1	1	O Ring	(35)
				[A] WITHOUT DUAL CONTROL
				[B] WITH TRAILOR BRAKING
				[C] WITHOUT TRAILOR BRAKE

1-AP17-014



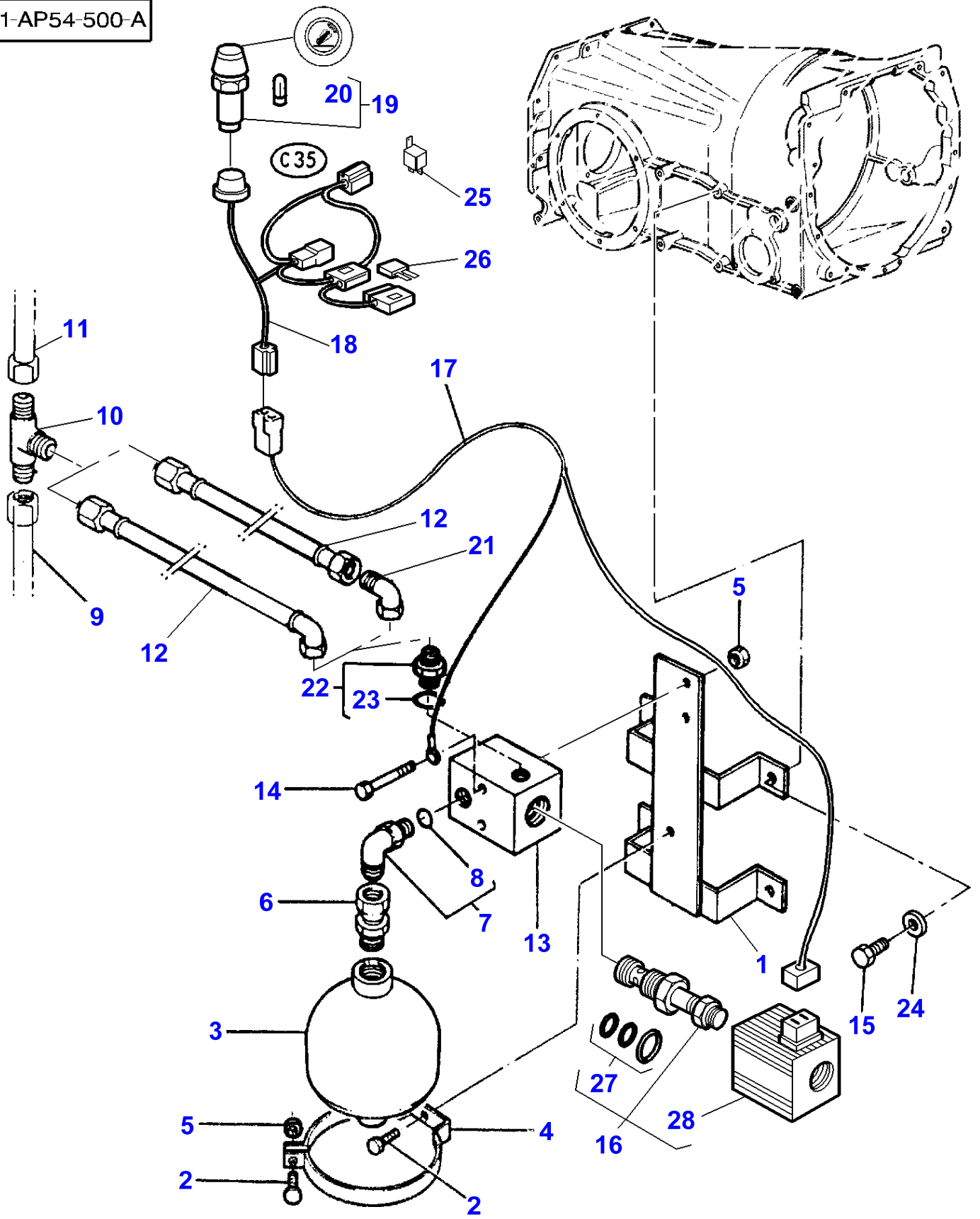
Item	Part Number	Qty	Description	Comments
				UNITED STATES
1	3052627M2	1	Shaft	
2	1504212M1	2	Ring	
3	3045417M1	2	Clip	
4	3380936M1	1	Cam	
5	353667X1	1	Screw Unc	
6	3042066M14	1	Arm	Left Hand 3042066M94
6	3042067M14	1	Arm	Right Hand 3042067M94
7	1619124M1	2	Bush	(6)
8	1610037M2	2	Washer	
9	3582371M13	1	Cover	3582371M93
10	3713827M1	2	Bearing	(9) Repairs and replaces 3045422M1
11		1	Cover	(9) Not serviced, order REF 9
12	3042124M1	2	Brake	
13	353593X1	2	Screw Unf	Diameter 1/2" Length 20MM
14	3616141M91	1	Cover	Up to Serial or Engine Number S330000
	3617684M91	1	Cover	From Serial or Engine Number S330001 Up to Serial or Engine Number B209019
14	3617684M92	1	Cover	From Serial or Engine Number B209020
16	3387376M1	1	Inductive Taker	
17	3385674M1	1	Nut	
18	3380216M1	1	Breather	
19	1633270M3	1	Loctite	
20	353729X1	2	Bolt Unc	Diameter 5/8" Length 64MM
21	353726X1	7	Screw Unc	Diameter 5/8" Length 38MM
22	3045416M1	2	Sleeve	
23	3040805M1	2	Gasket	
24	3045418M1	2	Gasket	
26	658175M1	2	Stud	
27	368445X1	1	Screw	[B] Diameter 5/8" Length 70MM
27	353726X1	1	Screw Unc	[C] Diameter 5/8 Length 38MM
28	3714825M1	2	Stud	
29	353427X1	4	Nut Unf	
30	339123X1	4	Screw Metric	M8X20
31	3618038M94	1	Support	
32	3387756M1	2	Strap	
33	338481X1	8	Screw	
34	390972X1	2	Washer Metric	
35	3019639X91	1	Plug	[A] M14
36	3019395X1	1	O Ring	(35) [A] WITHOUT DUAL CONTROL [B] WITH TRAILOR BRAKING [C] WITHOUT TRAILOR BRAKE

1-AP17-504-A



Item	Part Number	Qty	Description	Comments
				WITH LOAD SENSING FROM SERIAL NO C159017
1	3052627M2	1	Shaft	
2	1504212M1	2	Ring	
3	3045417M1	2	Clip	
4	3380936M1	1	Cam	
5	353667X1	1	Screw Unc	
6	3042066M14	1	Arm	Left Hand 3042066M94
6	3042067M14	1	Arm	Right Hand 3042067M94
7	1619124M1	2	Bush	(6)
8	1610037M2	2	Washer	
9	3582371M13	1	Cover	3582371M93
10	3713827M1	2	Bearing	(9) Repairs and replaces 3045422M1
11		1	Cover	(9) Not serviced, order REF 9
12	3042124M1	2	Brake	
13	353593X1	2	Screw Unf	Diameter 1/2" Length 20MM
14	3712447M91	1	Support	Up to Serial or Engine Number D279001
	3714693M92	1	Support	From Serial or Engine Number D279002
15	3712471M92	1	Cover	Up to Serial or Engine Number D279001
16	3387376M1	1	Inductive Taker	
17	3385674M1	1	Nut	
18	3380216M1	1	Breather	
19	1633270M3	1	Loctite	
20	353729X1	2	Bolt Unc	Diameter 5/8" Length 64MM
21	353726X1	7	Screw Unc	Diameter 5/8" Length 38MM
22	3045416M1	2	Sleeve	
23	3040805M1	2	Gasket	
24	3045418M1	2	Gasket	:
25	3712553M91	1	Support	[B] From Serial or Engine Number P10560
26	658175M1	2	Stud	
27	368445X1	1	Screw	[C] Diameter 5/8" Length 70MM
27	353726X1	1	Screw Unc	[D] Diameter 5/8 Length 38MM
28	3714825M1	2	Stud	
29	353427X1	4	Nut Unf	
30	339124X1	6	Screw Metric	M8X16
31	3712915M92	1	Support	Up to Serial or Engine Number D279001
	3714716M91	1	Support	From Serial or Engine Number D279002
32	3387756M1	2	Strap	
33	338481X1	8	Screw	
34	390972X1	4	Washer Metric	
35	3019639X91	1	Plug	[A] M14 (35)
36	3019395X1	1	O Ring	
37	3714710M93	1	Cover	From Serial or Engine Number D279002
38	391074X1	2	Screw Metric	From Serial or Engine Number D279002 M6X12
				[A] WITHOUT DUAL CONTROL
				[B] FOR CHASSIS U.S.A
				[C] WITH TRAILOR BRAKING
				[D] WITHOUT TRAILOR BRAKE

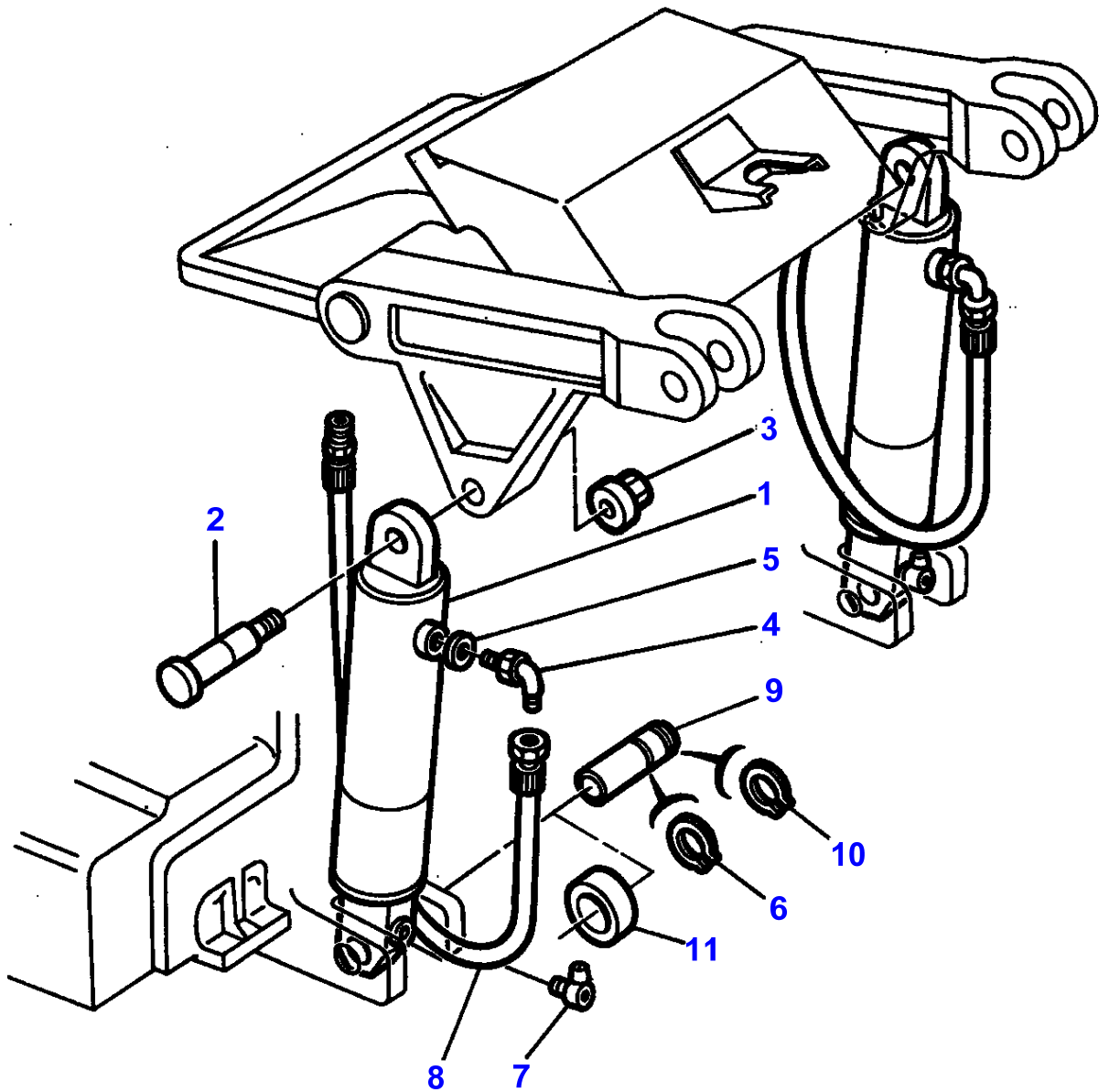
1-AP54-500-A



HYDRAULIC TRANSPORT SHOCK ABSORBER

Item	Part Number	Qty	Description	Comments
1		1	Support	See Page - Reference Number 100/
2	339761X1	2	Screw Metric	Diameter M8 X 25
3	3617711M1	1	Accumulator	
4	3617707M1	1	Clamp	
5	339169X1	4	Nut Metric	
6	380004X1	1	Union	
7	3019416X91	1	Elbow	
8	3019397X1	1	O Ring	(7)
9		1	Hydr Hose	See Page - Reference Number 189/
10	364704X1	1	Teepiece	
11		1	Tube	See Page - Reference Number 270/
12	3618436M1	1	Hydr Hose	Up to Serial or Engine Number A253008 3617713M1
12	3618436M1	1	Hydr Hose	From Serial or Engine Number A253009 3617713M1
13	3617710M1	1	Body	
14	391286X1	2	Bolt Metric	
15		3	Screw	See Page - Reference Number 100/1
16	3617740M91	1	Electrovalve	Up to Serial or Engine Number B328019
	3619274M91	1	Electrovalve	[C] From Serial or Engine Number B328020
17	3617700M1	1	Harness	Up to Serial or Engine Number B328019
	3619286M1	1	Harness	[C] From Serial or Engine Number B328020
18	3619207M91	1	Harness	
19	3617718M91	1	Switch, Indirect	
20	3405185M1	1	Bulb 12v 1.2w	(19)
21	367386X1	1	Elbow	Up to Serial or Engine Number A253008
22	3019385X91	1	Union	
23	3019397X1	1	O Ring	(22)
24		3	Washer	See Page - Reference Number 100/1
25	3615652M1	1	Relay	[A]
26	3620023M1	1	Fuse	(18) 5 AMP
27	3900992M91	1	Kit, Joint	[C] (16) From Serial or Engine Number B328020
28	3900996M1	1	Solenoid	[C] (16) From Serial or Engine Number B328020
29	3618824M1	1	Harness	[A]
				[A] WITH DUAL CONTROL
				[C] NEW CONNECTION

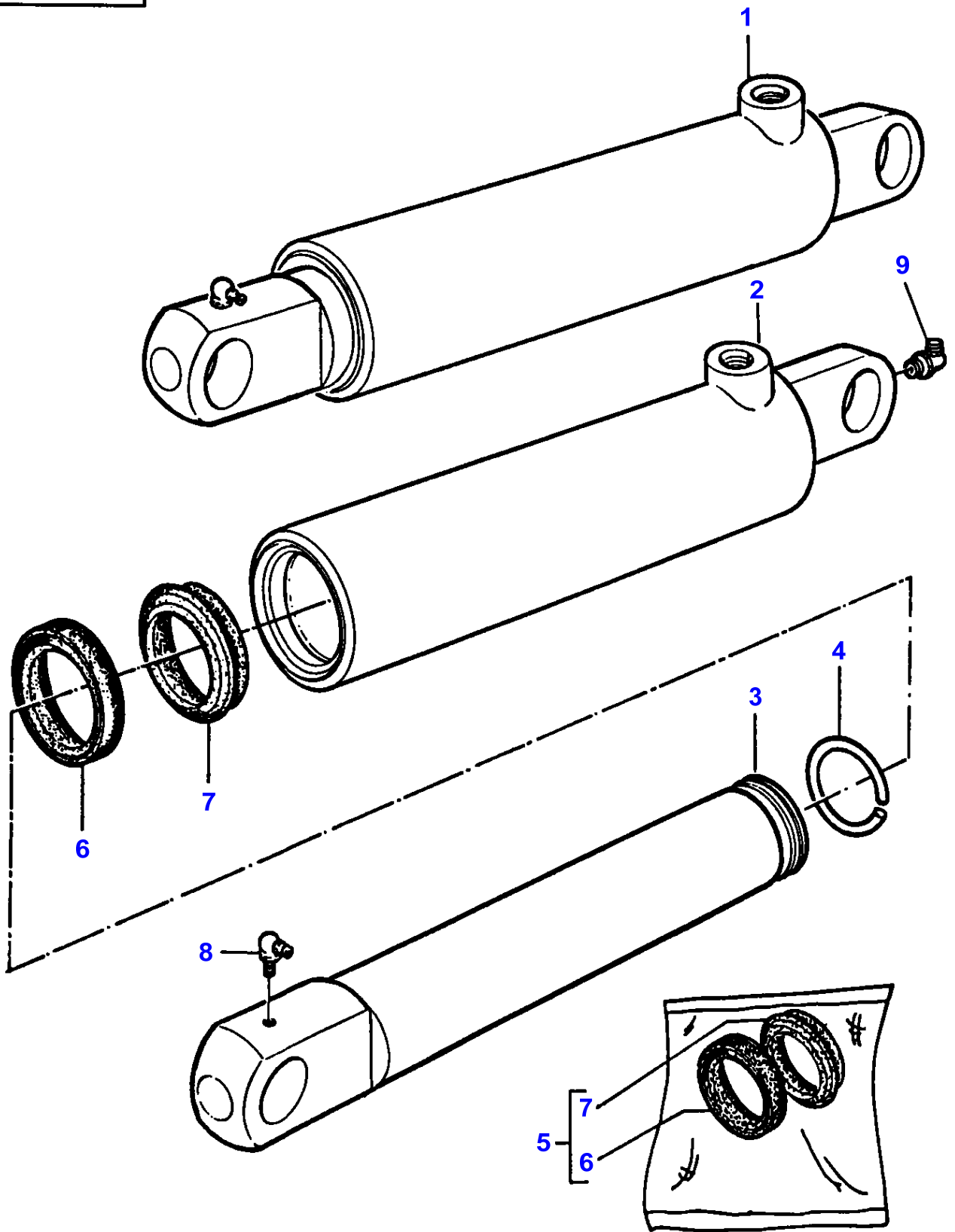
1-AQ17-009



LINKAGE-LIFT CYLINDERS

Item	Part Number	Qty	Description	Comments
1	3386307M3	2	Lift Cylinder	Diameter 89MM See Page - Reference Number 190/ Up to Serial or Engine Number S 276007
1	3617432M91	2	Lift Cylinder	SIMA 89MM See Page - Reference Number 191/ From Serial or Engine Number S 276008
2	3386298M2	2	Clevis Pin	Diameter M22X1,5 Length 122MM
3	3384585M1	2	Nut	Diameter M 22X1,5
4	3019416X91	2	Elbow	Diameter M 18X1,5 Diameter 7/8-14
5	3019396X1	1	O Ring	Diameter M 16
6	3010066X1	2	Clip	
7	364461X1	2	Nipple	
8	3387754M1	2	Hydr Hose	
9	3617427M1	2	Clevis Pin	
10	22608X	2	Circlip	
11	3616787M1	2	Spacer	45X68X12

1 - AQ17-006

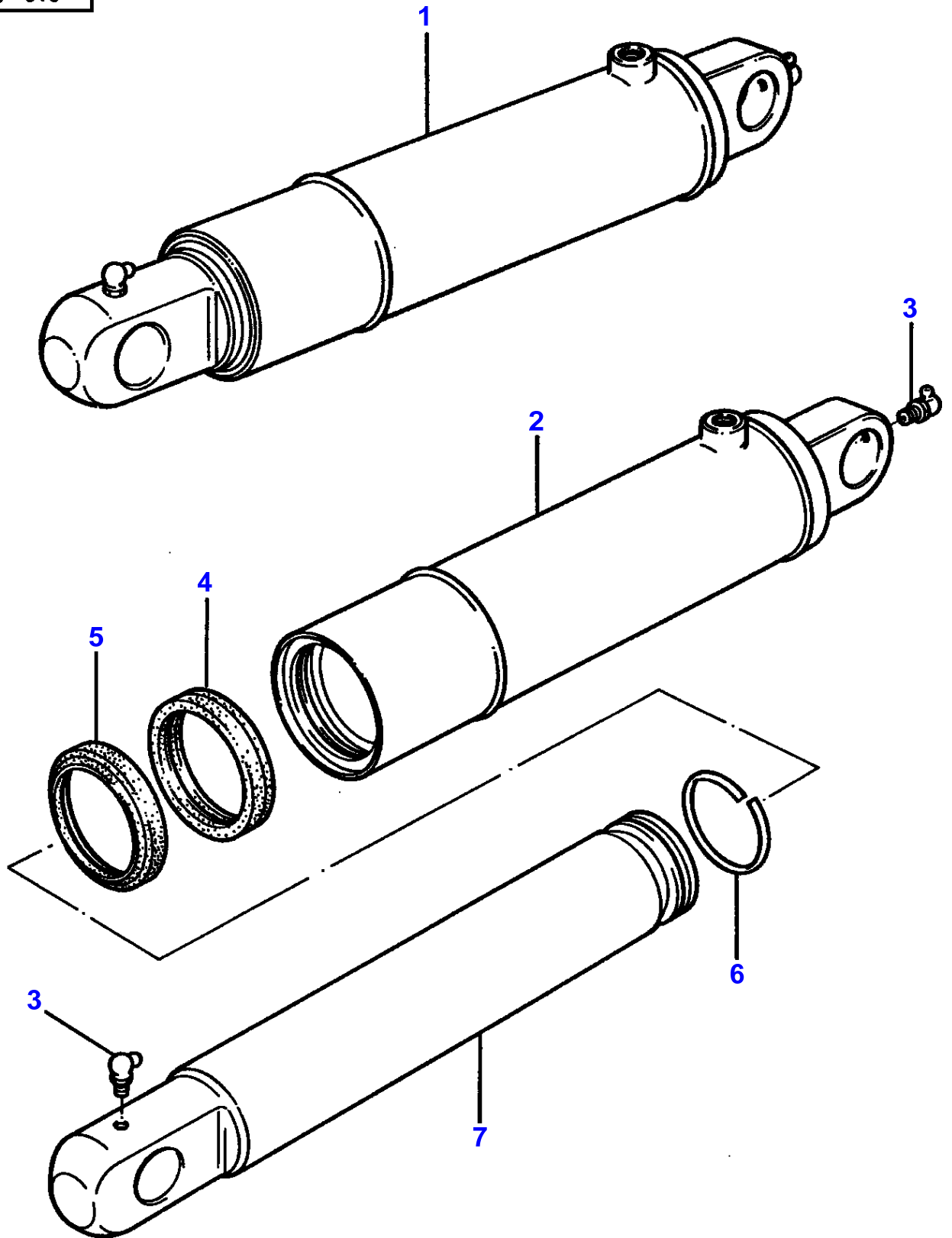


LINKAGE-LIFT CYLINDERS

Item	Part Number	Qty	Description	Comments
1	3386307M3	1	Lift Cylinder	[A] Diameter 89MM Up to Serial or Engine Number S276007
2		1	Barrel	(1) Not serviced, order REF 1
3	3404605M2	1	Cylinder Rod	(1)
4	1607951M1	1	Ring	(1)
5	1609024M91	1	Kit, Repair	
6	1609009M1	1	Seal	(5)
7	1609008M1	1	Seal	(5)
8	364461X1	1	Nipple	
9	364461X1	1	Nipple	

[A]
IDENTIFICATION ON CYLINDER CASING

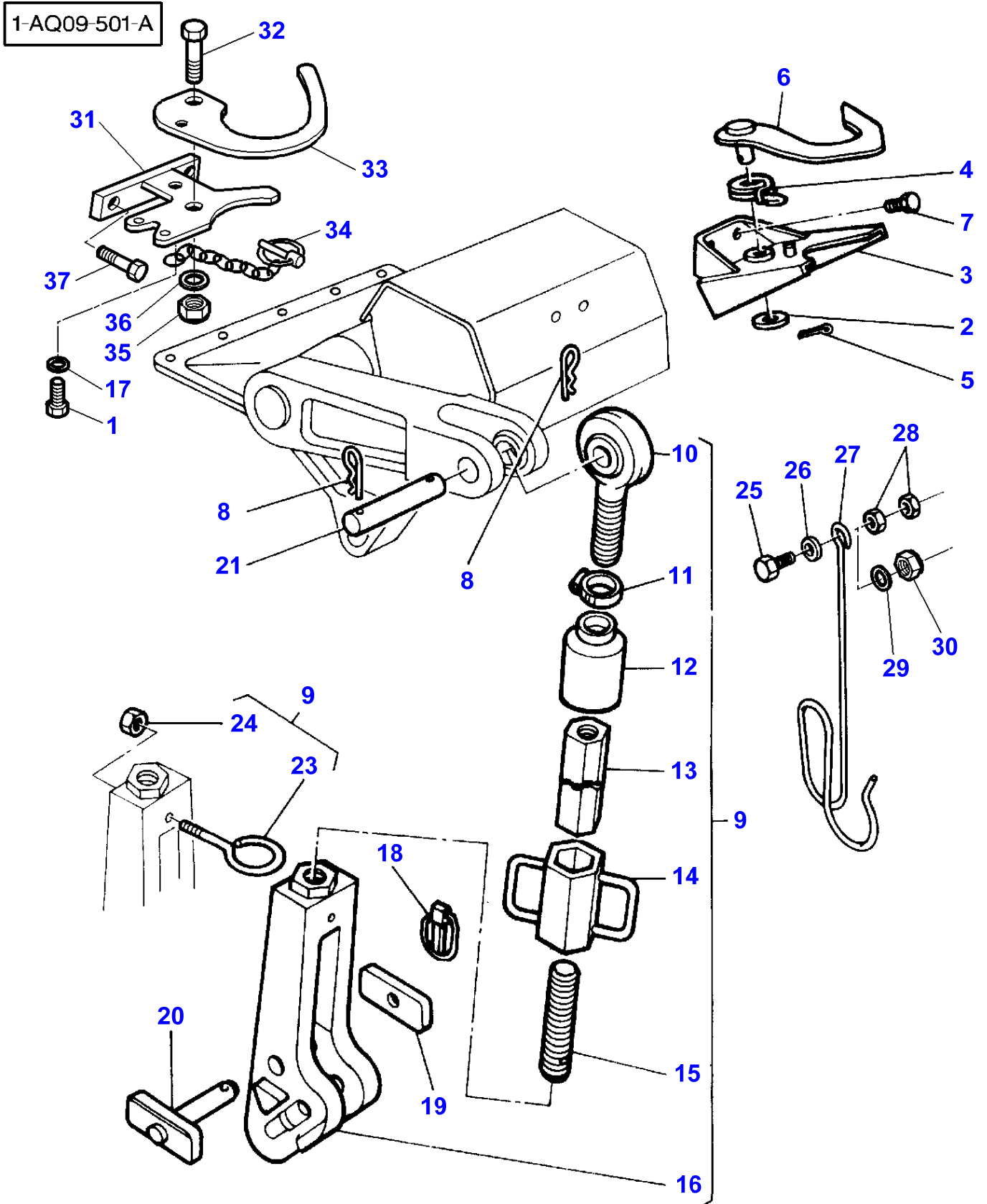
1-AQ17-010



LINKAGE-LIFT CYLINDERS

Item	Part Number	Qty	Description	Comments
1	3617432M91	1	Lift Cylinder	[A] SIMA 89MM From Serial or Engine Number S276008
2	3900124M1	1	Barrel	(1)
3	3900120M1	2	Nipple	(1)
4	3900127M1	1	Seal	(1)
5	3900128M1	1	Seal	(1)
6	3900126M1	1	Ring	(1)
7	3900125M1	1	Cylinder Rod	(1)

[A]
IDENTIFICATION ON CYLINDER CASING

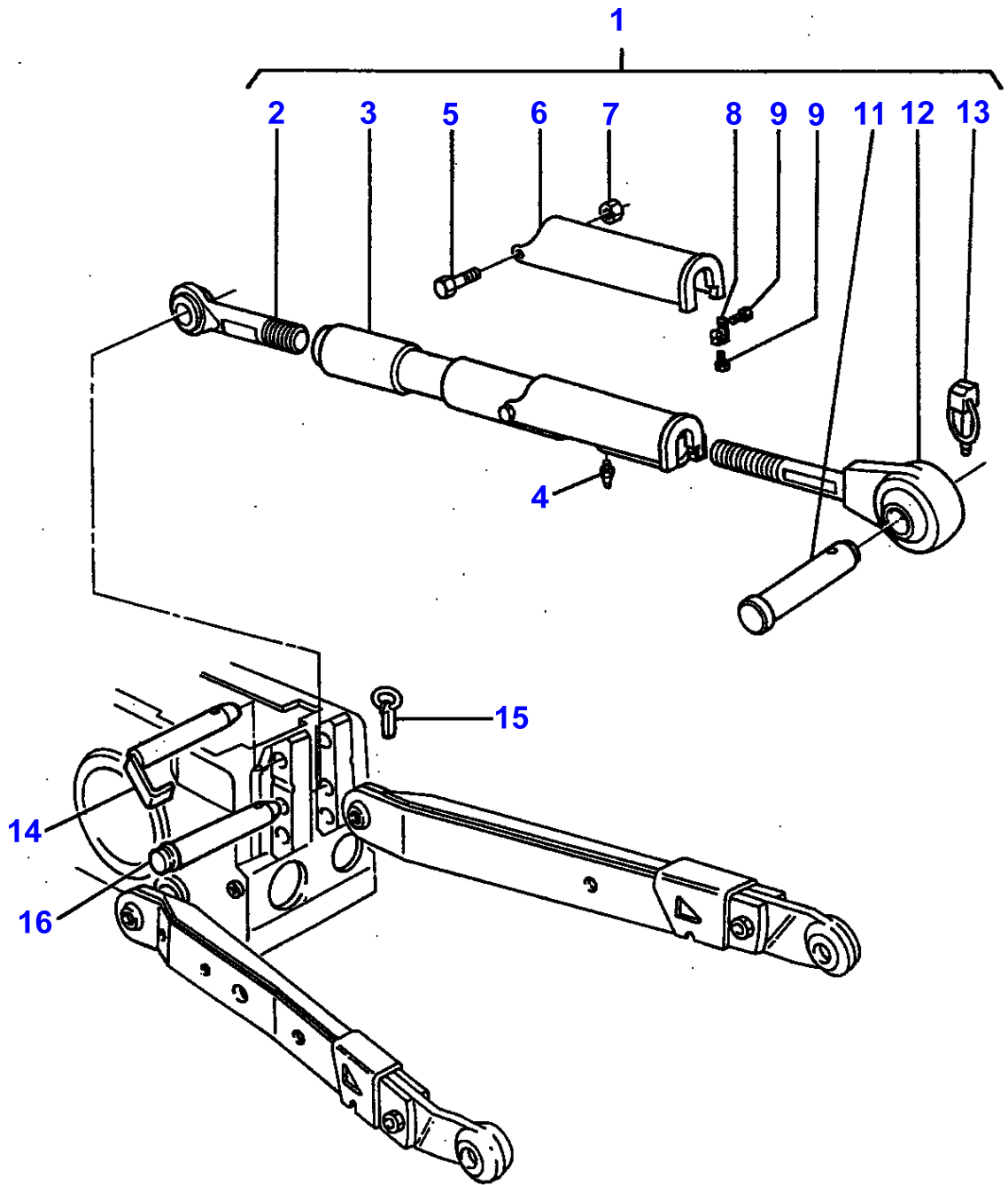


LINKAGE-TOP CAT 2 AND 3

Item	Part Number	Qty	Description	Comments
1	390990X1	1	Screw Metric	
2	353756X1	1	Washer	Up to Serial or Engine Number
3	3041897M92	1	Bearer	Up to Serial or Engine Number
4	3616871M1	1	Spring	Up to Serial or Engine Number
5	354048X1	1	Pin	Up to Serial or Engine Number
6	3615616M92	1	Hook	Up to Serial or Engine Number
7	339124X1	2	Screw Metric	Up to Serial or Engine Number
8	365139X1	4	Hair Pin	
9	3616478M91	2	Draglink	
10	3581998M91	1	Toggle	(9)
11	338615X1	1	Clamp	(9)
12	3580198M1	1	Helmet	(9)
13	3581997M1	1	Tube	(9)
14	3386457M2	1	Handle	(9)
15	3581999M1	1	Clevis Pin	(9)
16	3616209M1	1	Clevis	(9)
17	3019560X1	1	Washer	
18	3387161M2	2	Pin	
19	3580195M1	2	Tappet Plate	
20	3580176M92	2	Clevis Pin	
21	3580175M1	2	Clevis Pin	
23	3580721M2	1	Pin	(9) Alternative 3580721M2
23	3580721M2	1	Pin	(9) Alternative 3580521M91
24	1441462X1	1	Locknut	(9) Diameter M6
25	339337X1	1	Screw Metric	M8X30
26	385361X1	1	Washer Metric	
27	3616195M1	1	Hook	
28	390345X1	2	Nut Metric	M8 Up to Serial or Engine Number
29	391039X1	1	Washer Metric	From Serial or Engine Number
30	394367X1	1	Locknut	From Serial or Engine Number
31	3712557M2	1	Support	[A] From Serial or Engine Number C159017
32	339337X1	1	Screw Metric	[A] From Serial or Engine Number C159017
33	3712198M1	1	Latch	[A] From Serial or Engine Number C159017
34	3712199M91	1	Chain	[A] From Serial or Engine Number C159017
35	394367X1	1	Locknut	[A] From Serial or Engine Number C159017
36	390972X1	1	Washer Metric	[A] From Serial or Engine Number C159017
37	339761X1	2	Screw Metric	[A] From Serial or Engine Number C159017

[A]
WITH LOAD SENSING

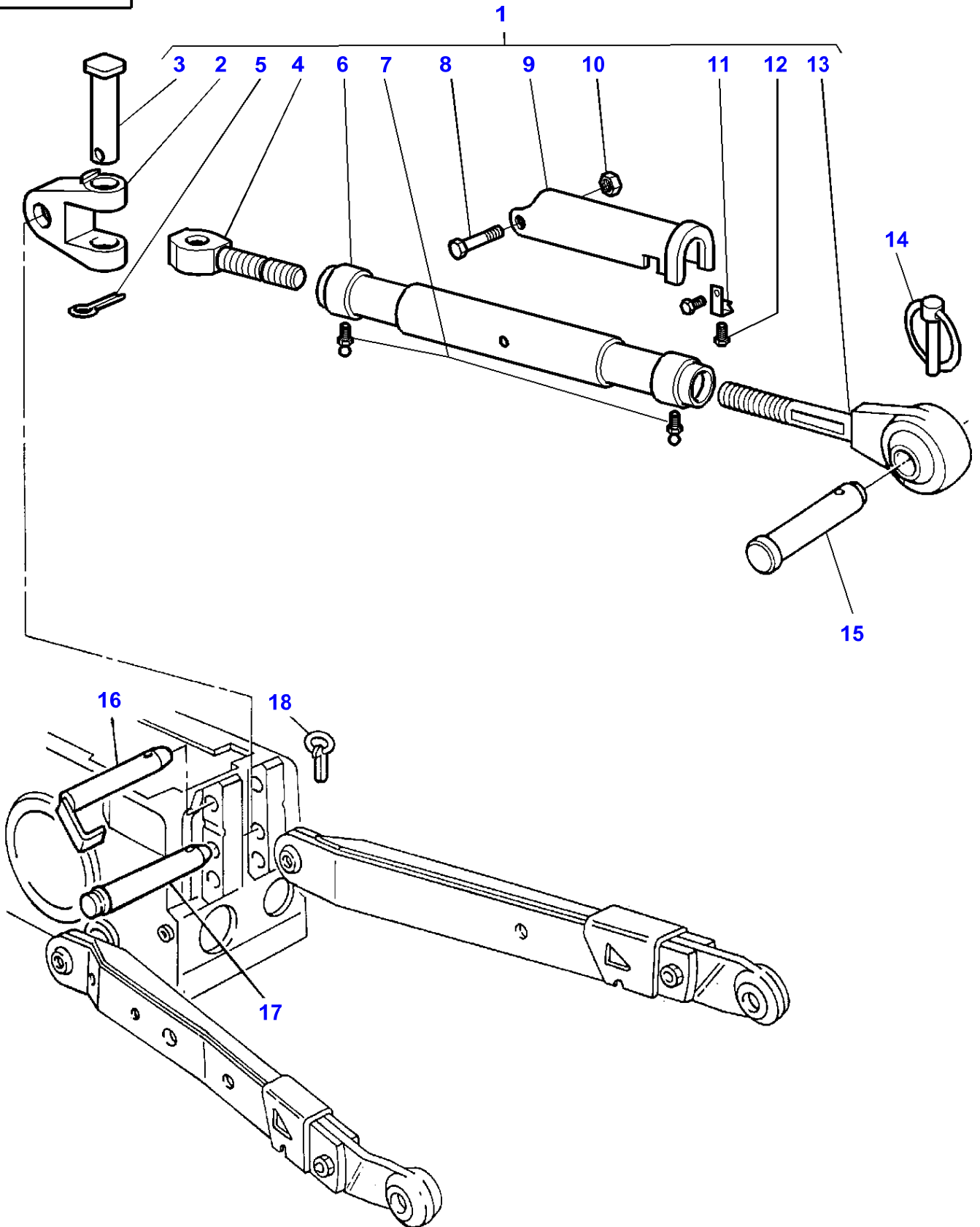
1 - AQ 08 - 012



LINKAGE-TOP LINK WITH BALL END

Item	Part Number	Qty	Description	Comments
1	3615880M92	1	Bar	CAT.2
	3615878M92	1	Bar	CAT 3
2	3616795M2	1	Stub	(1)
3	3615862M2	1	Tube	(1) Length 578MM
4	339608X1	2	Grease Nipple	(3)
5	390246X1	1	Bolt	(3)
6	3900031M1	1	Lever	(3)
7	394367X1	1	Locknut	(3)
8	3900029M1	1	Spring	(3)
9	390961X1	2	Screw Metric	(3)
11	3582043M1	1	Clevis Pin	(1) CAT.2
11	367073X1	1	Clevis Pin	(1) CAT 3
12	3616796M2	1	Stub	(1) CAT 2
12	3616797M1	1	Stub	(1) CAT 3 3616797M2
13	3387161M2	1	Pin	(1)
14	3581559M92	1	Clevis Pin	
15	3387161M2	1	Pin	
16	3384627M2	1	Clevis Pin	

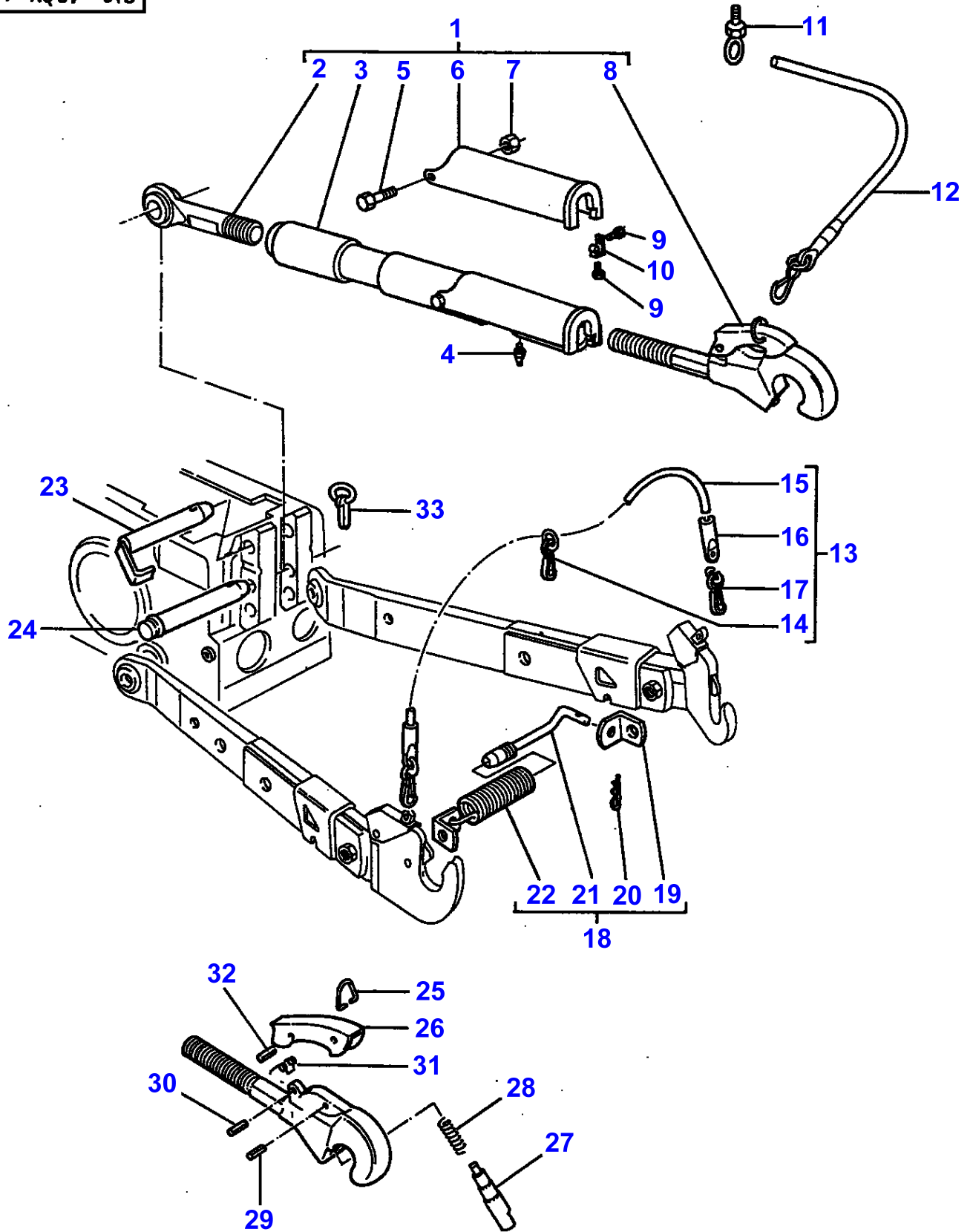
1-AQ08-023



MASSEY FERGUSON**MF 3690 TRACTOR - 1637223****1637223****LINKAGE-TOP LINK WITH BALL END - WITH TOP LINK "CBM" - FROM 03/95****194**

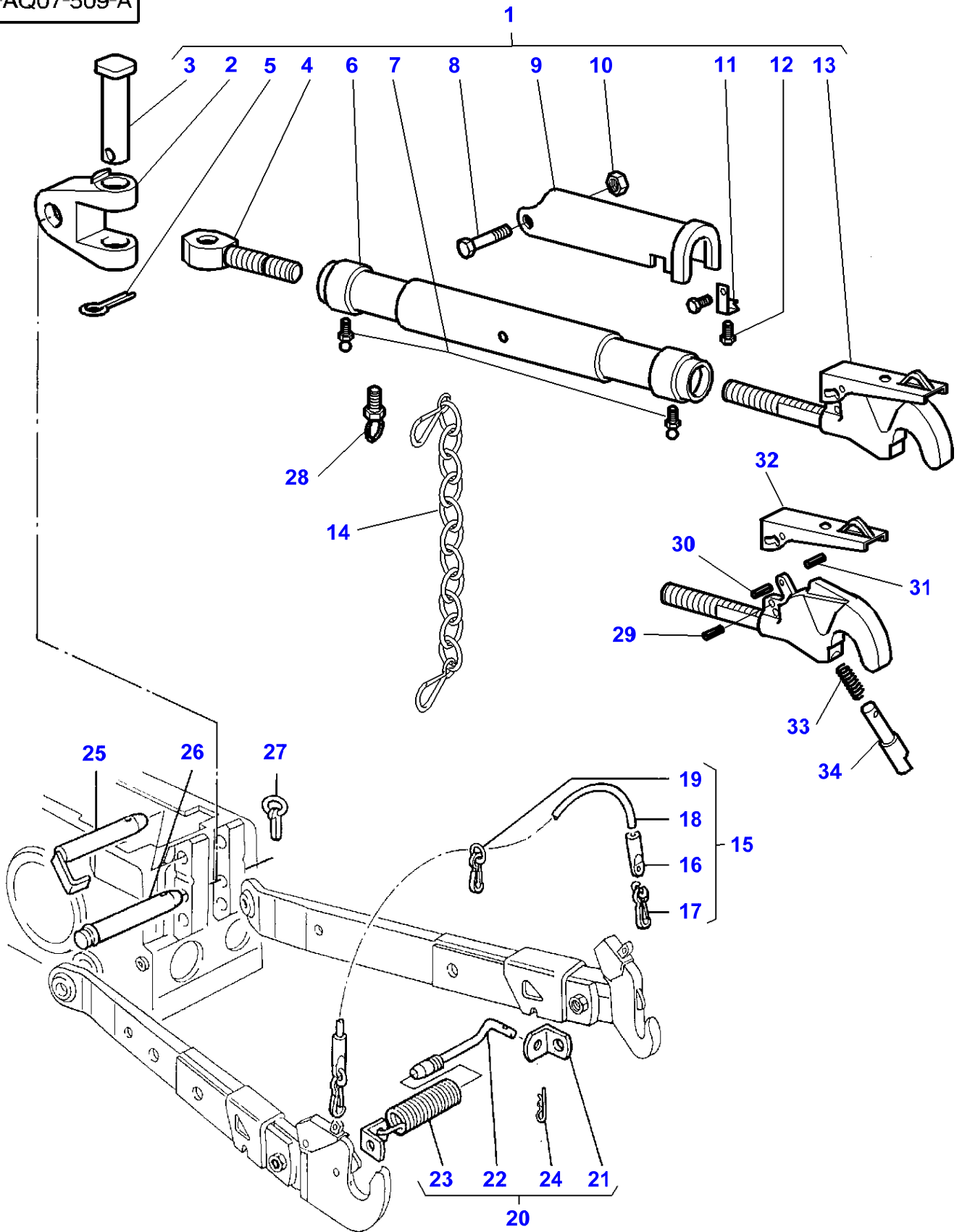
Item	Part Number	Qty	Description	Comments
				WITH TOP LINK "CBM" - FROM 03/95
1	3619107M91	1	Bar	CAT 3
2	3900888M1	1	Clevis	(1)
3	3900889M1	1	Clevis Pin	(1)
4	3900890M1	1	Toggle	(1)
5	3900891M1	1	Pin	(1)
6		1	Body	(1)
				Not serviced, order REF 1
7	339608X1	2	Grease Nipple	(1)
8	390246X1	1	Bolt	(1)
9	3900031M1	1	Lever	(1)
10	394367X1	1	Locknut	(1)
11	3900029M1	2	Spring	(1)
12	390961X1	2	Screw Metric	(1)
13	3900895M91	1	Toggle	(1)
				CAT 3
14	3387161M2	1	Pin	
15	367073X1	1	Clevis Pin	CAT 3
16	3581559M92	1	Clevis Pin	
17	3384627M2	1	Clevis Pin	
18	3387161M2	1	Pin	

1-AQ07-013



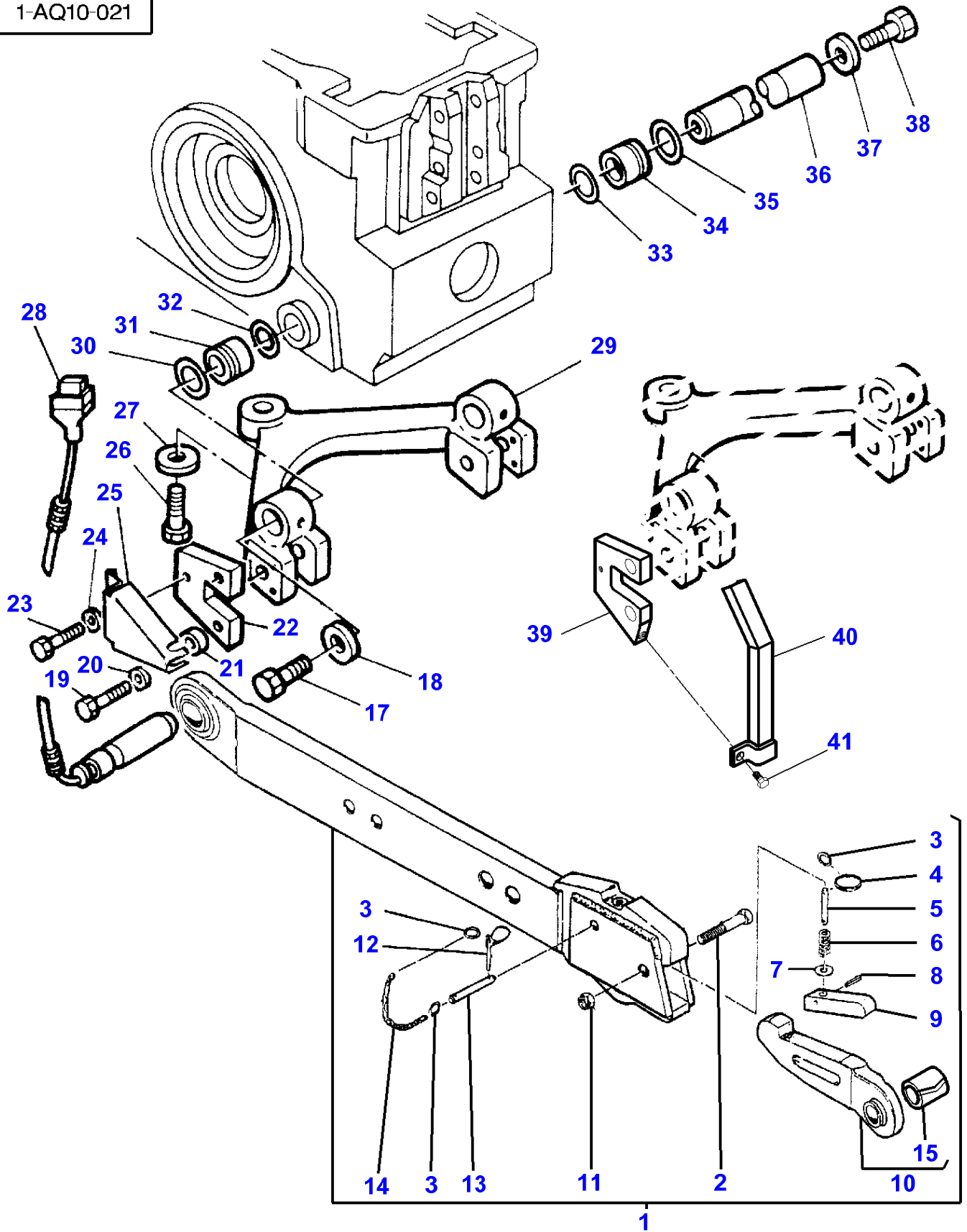
Item	Part Number	Qty	Description	Comments
				HOOK
1	3615882M92	1	Bar	
2	3616795M2	1	Stub	(1)
3	3615862M2	1	Tube	(1)
				Length 578MM
4	339608X1	2	Grease Nipple	(3)
5	390246X1	1	Bolt	(3)
6	3900031M1	1	Lever	(3)
7	394367X1	1	Locknut	(3)
8	3041031M4	1	Hook	(1)
9	390961X1	2	Screw Metric	(3)
10	3900029M1	1	Spring	(3)
11	3580524M91	1	Ring	
12	3619220M1	1	Chain	Repairs and replaces 3042435M1
13	3619219M1	1	Chain	Repairs and replaces 3033968M4
14		1	Tie	(13)
				Not serviced, order REF 13
15		1	Cable	(13)
				Not serviced, order REF 13
16		2	Stem	(13)
				Not serviced, order REF 13
17	3188783M1	2	Tie	(13)
18	3617118M1	1	Spring	
19		1	Not Used	
20	1633899M1	1	Pin	(18)
21	3106939M1	1	Hook	(18)
22	3106938M1	1	Spring	
23	3581559M92	1	Clevis Pin	
24	3384627M2	1	Clevis Pin	
25	3101935M1	1	Tie	(9)
26	3104986M1	1	Ratchet	(9)
27	3101927M1	1	Clevis Pin	(9)
28	3101929M1	1	Spring	(9)
29	339662X1	1	Pin	(9)
30	339662X1	1	Pin	(9)
31	3101930M1	1	Spring	(9)
32	339662X1	1	Pin	(9)
33	3387161M2	X	Pin	

1-AQ07-509-A



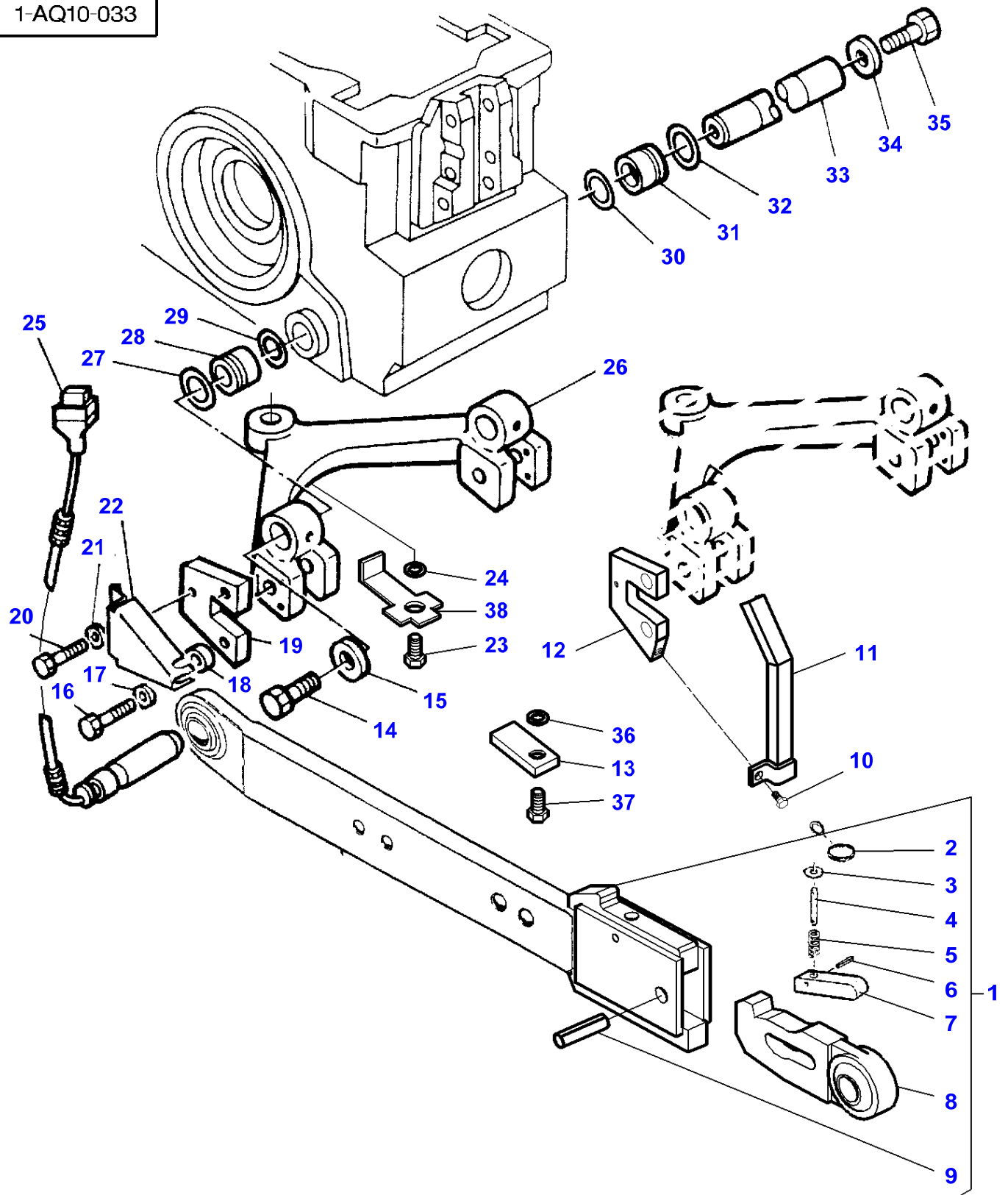
Item	Part Number	Qty	Description	Comments
				WITH TOP LINK "CBM" - FROM 03/95
1	3619109M91	1	Bar	
2	3900888M1	1	Clevis	(1)
3	3900889M1	1	Clevis Pin	(1)
4	3900890M1	1	Toggle	(1)
5	3900891M1	1	Pin	(1)
6		1	Body	(1)
				Not serviced, order REF 1
7	339608X1	2	Grease Nipple	(1)
8	390246X1	1	Bolt	(1)
9	3900031M1	1	Lever	(1)
10	394367X1	1	Locknut	(1)
11	3900029M1	1	Spring	(1)
12	390961X1	2	Screw Metric	(1)
13	3900892M91	1	Hook	(1)
				CAT 3
14	3619220M1	1	Chain	
15	3619219M1	1	Chain	
16		2	Stem	(15)
				Not serviced, order REF 15
17	3188783M1	2	Tie	(15)
18		1	Cable	(15)
				Not serviced, order REF 15
19		1	Tie	(15)
				Not serviced, order REF 15
20	3033928M3	1	Tensioner	
21	3033976M1	1	Angle	(20)
22		1	Hook	(20)
				Not serviced, order REF 20
23		1	Spring	(20)
				Not serviced, order REF 20
24	1633899M1	1	Pin	(20)
25	3581559M92	1	Clevis Pin	
26	3384627M2	1	Clevis Pin	
27	3387161M2	X	Pin	
28	3580524M91	1	Ring	
29	390932X1	1	Pin	(13)
30	390538X1	1	Roll Pin	(13)
31	3900578M1	1	Pin	(13)
32	3900589M91	1	Lever	(13)
33	3900577M1	1	Spring	(13)
34	3900894M1	1	Clevis Pin	(13)

1-AQ10-021



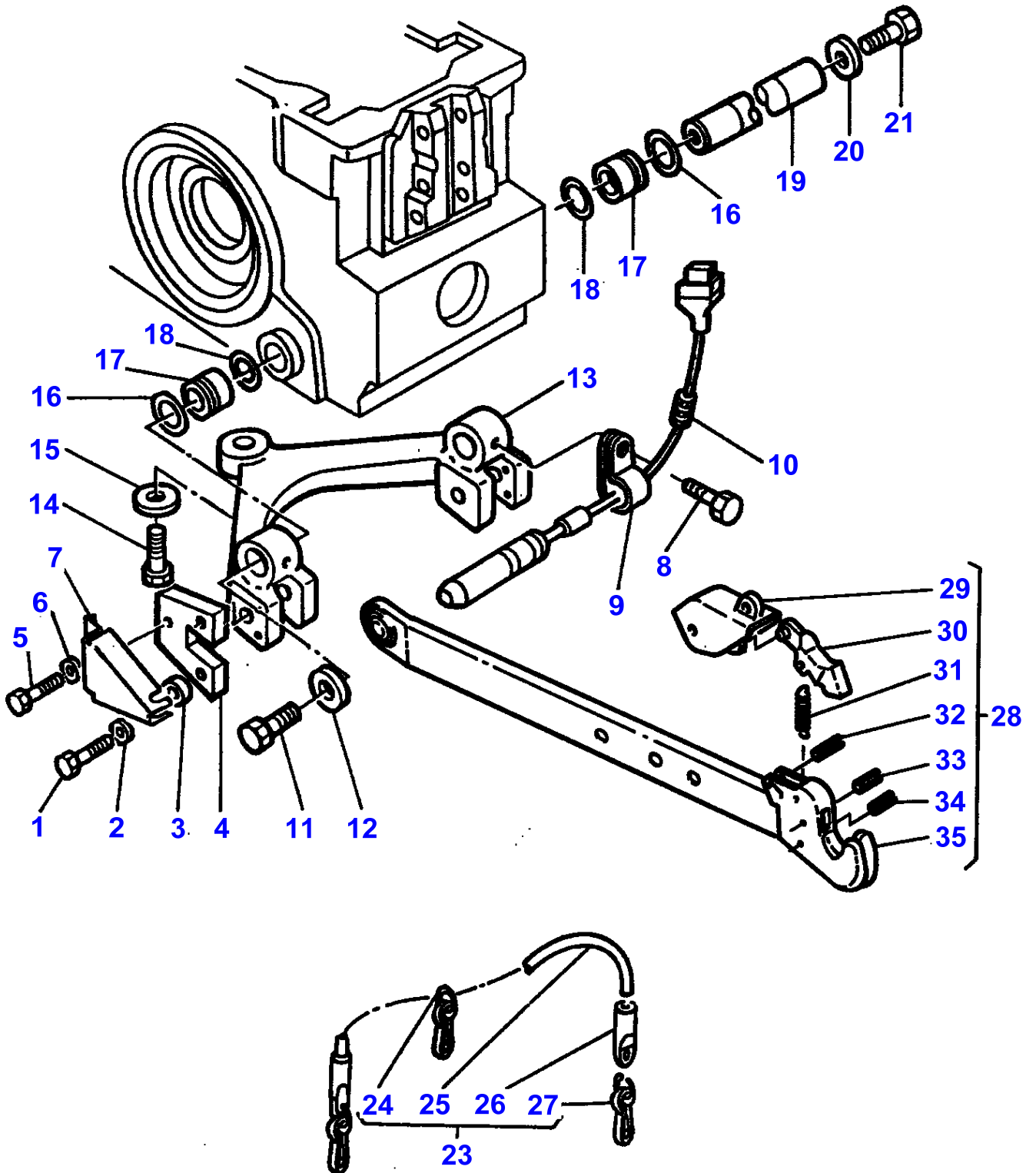
Item	Part Number	Qty	Description	Comments
				LOWER WITH BALL UP TO 11/94
1	3616296M2	1	Bar	Right Hand Up to Serial or Engine Number 11/94
1	3616295M2	1	Bar	Left Hand Up to Serial or Engine Number 11/94
2	1442668X1	1	Screw	(1)
3	3105772M1	3	Ring	(1) Diameter 20
4	3105771M1	1	Ring	(1) Diameter 45
5	3105767M1	1	Pin	(1)
6	3105768M1	1	Spring	(1)
7	390735X1	1	Nut	(1)
8	3006465X1	1	Roll Pin	(1)
9	3105769M1	1	Latch	(1)
10	3106936M1	1	Stub	(1) Right Hand
10	3106937M1	1	Stub	(1) Left Hand
11	3009747X1	1	Nut	(1)
12	3105774M1	1	Pin	(1)
13	3105770M1	1	Pin	(1)
14	3105773M1	1	Chain	(1)
15	3900841M1	1	Bush	(10)
17	3009745X1	2	Screw	Diameter M18 Length 55MM
18	3580245M1	2	Washer	Diameter M18
19	3001429X1	4	Screw	Diameter M10 Length 35MM
20	385362X1	4	Washer Metric	
21	3384183M2	4	Bush	
22	3617328M1	2	Plate	
23	339560X1	2	Screw Metric	
24	390971X1	2	Washer Metric	
25	3583623M1	2	Protector	Repairs and replaces 3387577M3
26	1442668X1	1	Screw	Length 80MM M20
27	3580246M1	1	Washer	M20
28	3389273M2	2	Sensing Pin	
29	3580156M3	1	Support	
30	3580247M1	1	O Ring	
31	3580243M1	1	Bush	
32	851150M1	1	Ring	
33	851150M1	1	Ring	
34	3580243M1	1	Bush	
35	3580247M1	1	O Ring	
36	3580244M3	1	Shaft	
37	3580245M1	2	Washer	Diameter M18
38	3009745X1	2	Screw	Diameter M18 Length 55MM
39	3386366M3	1	Plate	
40	3618226M1	1	Cowl	Left Hand
	3618227M1	1	Cowl	Right Hand
41	339124X1	1	Screw Metric	

1-AQ10-033



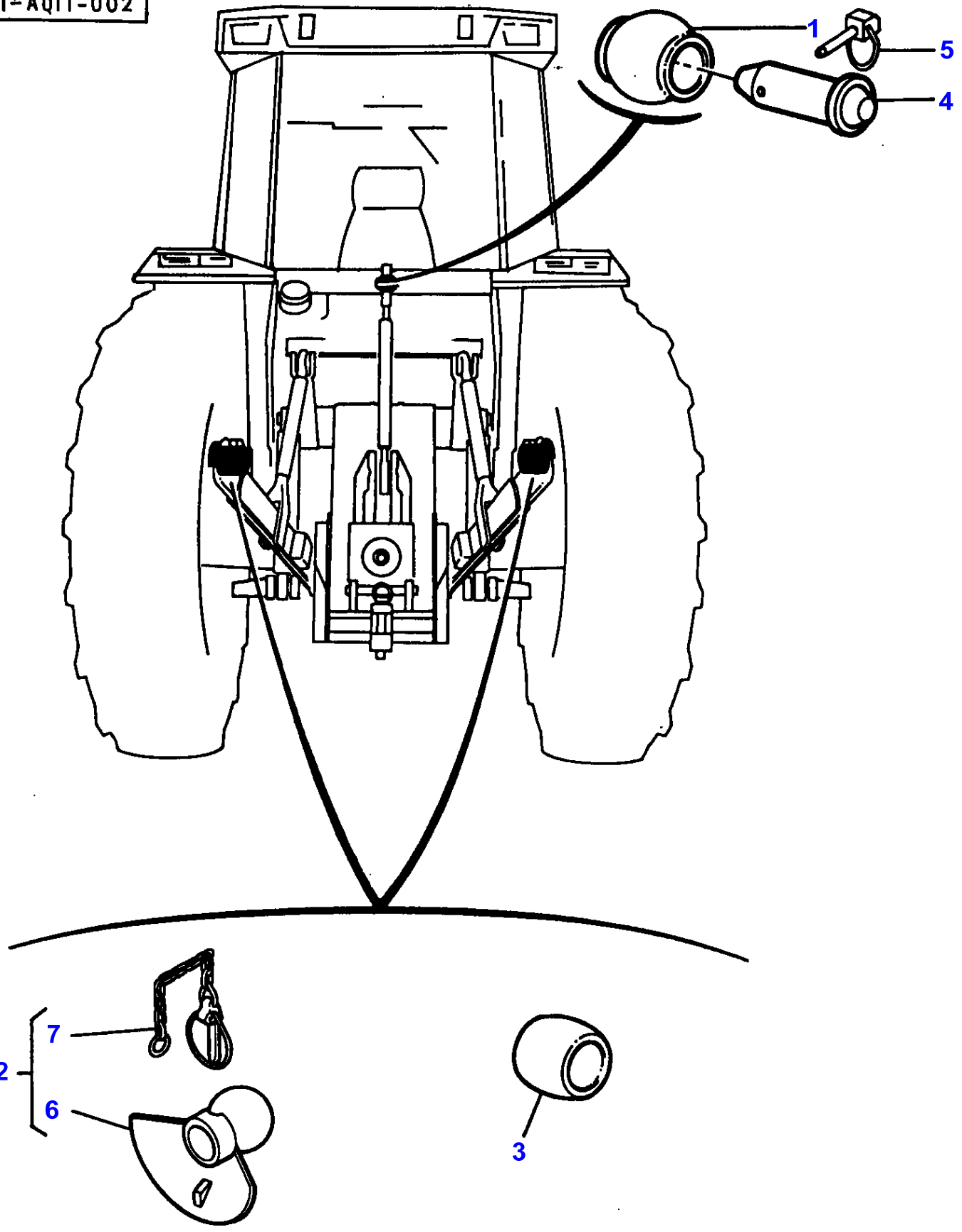
Item	Part Number	Qty	Description	Comments
				HITCH BAR WITH TELESCOPIC END "CBM" FROM D047022
1	3712648M1	1	Bar	Right Hand
	3712647M1	1	Bar	Left Hand
2	3902003M1	1	Ring	(1) Diameter 45
3	3902006M1	1	Ring	(1)
4	3902004M1	1	Clevis Pin	(1)
5	3902007M1	1	Spring	(1)
6	3902001M1	1	Pin	(1)
7	3902002M1	1	Latch	(1)
8	3902009M1	1	Stub	(1)
				Right Hand
8	3902008M1	1	Stub	(1) Left Hand
9	3902005M1	1	Pin	(1)
10	339124X1	1	Screw Metric	
11	3618226M1	1	Cowl	Left Hand
	3618227M1	1	Cowl	Right Hand
12	3386366M3	1	Plate	
13	3714303M1	1	Plate	Thickness 6MM From Serial or Engine Number C290034 Up to Serial or Engine Number D138031
14	3009745X1	2	Screw	Diameter M18 Length 55MM
15	3580245M1	2	Washer	Diameter M18
16	3001429X1	4	Screw	Diameter M10 Length 35MM
17	385362X1	4	Washer Metric	
18	3384183M2	4	Bush	
19	3617328M1	2	Plate	
20	339560X1	2	Screw Metric	
21	390971X1	2	Washer Metric	
22	3713765M1	2	Protector	
23	1442668X1	1	Screw	Length 80MM M20 M20
24	3580246M1	1	Washer	
25	3713764M1	2	Sensing Pin	
26	3580156M3	1	Support	
27	3580247M1	1	O Ring	
28	3580243M1	1	Bush	
29	851150M1	1	Ring	
30	851150M1	1	Ring	
31	3580243M1	1	Bush	
32	3580247M1	1	O Ring	
33	3580244M3	1	Shaft	
34	3580245M1	2	Washer	Diameter M18
35	3009745X1	2	Screw	Diameter M18 Length 55MM
36	385363X1	1	Washer	From Serial or Engine Number C290034 Up to Serial or Engine Number D138031
37	353723X1	1	Screw Unc	1/2-13X25 From Serial or Engine Number C290034 Up to Serial or Engine Number D138031
38	3714303M1	1	Plate	From Serial or Engine Number D138032

1-AQ10-016



Item	Part Number	Qty	Description	Comments
				BOTTOM BAR-WITH AUTOMATIC HOOK
1	3001429X1	4	Screw	M10X35MM
2	385362X1	4	Washer Metric	
3	3384183M2	4	Bush	
4	3617328M1	2	Plate	
5	339560X1	2	Screw Metric	
6	390971X1	2	Washer Metric	
7	3583623M1	2	Protector	
8	391074X1	2	Screw Metric	M6X12MM
9	968266M1	2	Strap	
10	3389273M2	2	Sensing Pin	
11	3009745X1	2	Screw	M18X55MM
12	3580245M1	2	Washer	Diameter M18
13	3580156M3	1	Support	
14		1	Screw	See Page - Reference Number 197/2
15		1	Washer	See Page - Reference Number 197/2
16	3580247M1	2	O Ring	
17	3580243M1	2	Bush	
18	851150M1	2	Ring	
19	3580244M3	1	Shaft	
20	3580245M1	2	Washer	Diameter M18
21	3009745X1	2	Screw	M18X55MM
23	3619219M1	1	Chain	Repairs and replaces 3033968M4
24		1	Tie	(23)
				Not serviced, order REF NO 23
25		1	Cable	(23)
				Not serviced, order REF NO 23
26		1	Stem	(23)
				Not serviced, order REF NO 23
27	3188783M1	1	Tie	(23)
28	3616298M1	1	Bar	Left Hand
	3616299M1	1	Bar	Right Hand
29	3103830M1	1	Lever	(28)
30	3106461M1	1	Ratchet	(28)
31	3101934M1	1	Spring	(28)
32	339290X1	1	Pin	(28)
33	3008317X1	1	Pin	(28)
34	339783X1	1	Pin	(28)
35		1	Bar	(28)
				Not serviced, order REF28

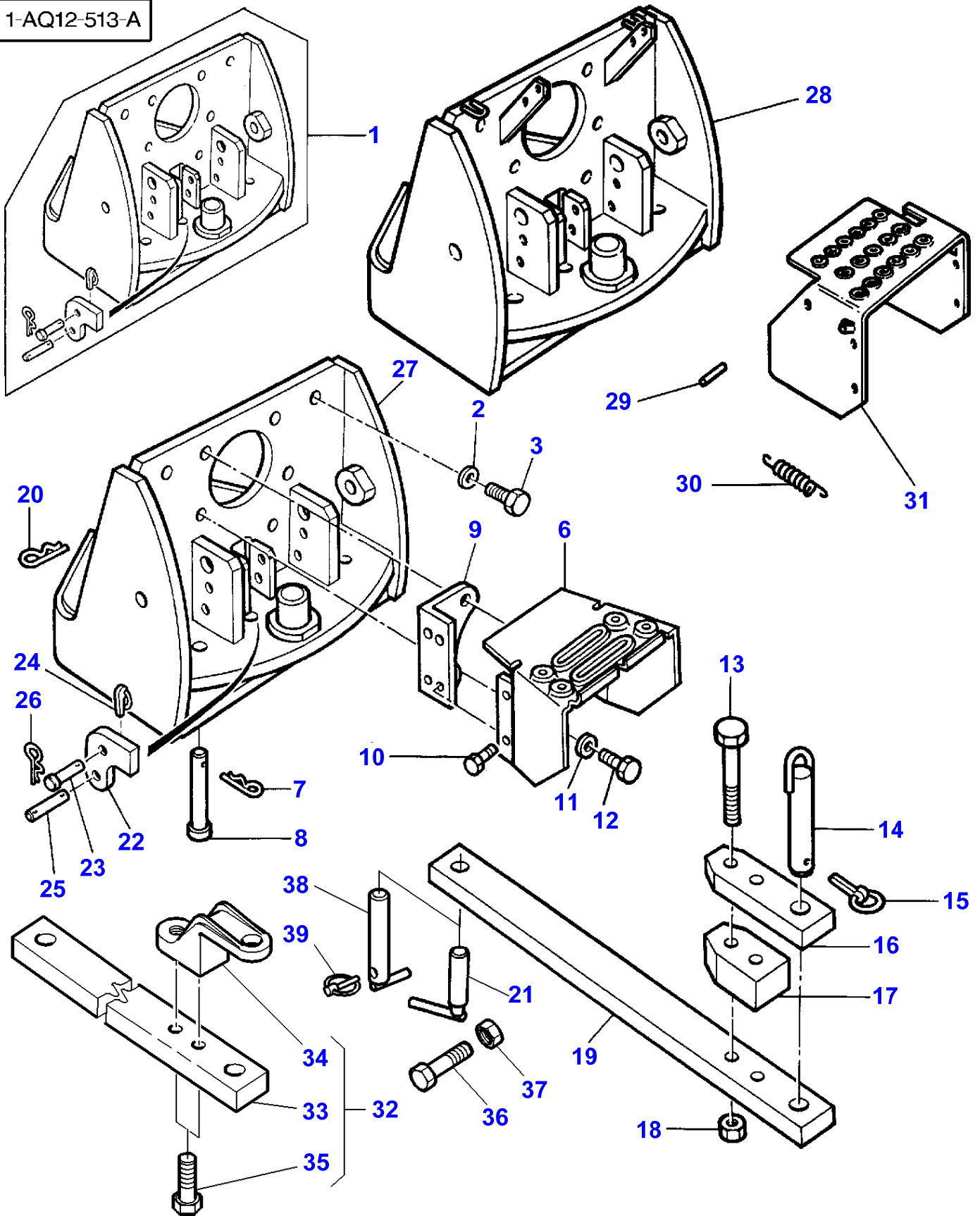
1-AQ11-002



LINKAGE-TOGGLES CAT 2 AND 3

Item	Part Number	Qty	Description	Comments
1	3042433M1	1	Toggle	Up to Serial or Engine Number A097026 CAT 2 / 3 Diameter 60MM-25,4MM
1	3042434M1	1	Toggle	Up to Serial or Engine Number A097005 CAT 3 Diameter 60MM-32MM
1	3617873M1	1	Toggle	CAT 2/3 From Serial or Engine Number A094027
1	3042433M1	1	Toggle	Up to Serial or Engine Number C297015 CAT 2/3 From Serial or Engine Number C297016
1	3617874M1	1	Toggle	CAT 3 From Serial or Engine Number A097006
1	3042434M1	1	Toggle	Up to Serial or Engine Number C318025 CAT 3 From Serial or Engine Number C318026
2	3042427M1	2	Toggle	Up to Serial or Engine Number A071014 CAT 2 Diameter 64MM-28,4MM
2	3042428M1	2	Toggle	Up to Serial or Engine Number A077039 CAT 3 Diameter 64MM-37MM
2	3617880M1	2	Toggle	CAT 2/3 From Serial or Engine Number A071015
2	3617881M1	2	Toggle	Up to Serial or Engine Number C311024 CAT 3 From Serial or Engine Number A077040
2	3042427M1	2	Toggle	Up to Serial or Engine Number C307024 CAT.2 From Serial or Engine Number C311025
2	3042428M1	2	Toggle	CAT.3 From Serial or Engine Number C307025
3	3042430M1	2	Toggle	Up to Serial or Engine Number A079012 CAT 2 / 3 Diameter 64MM-28,4MM
3	3042431M1	2	Toggle	Up to Serial or Engine Number A091027 CAT 3 Diameter 64MM-37MM
3	3617877M1	2	Toggle	CAT 2/3 From Serial or Engine Number A079013
3	3042430M1	2	Toggle	Up to Serial or Engine Number C307000 CAT 2/3 From Serial or Engine Number C307001
3	3617878M1	2	Toggle	CAT 3 From Serial or Engine Number A091028
3	3042431M1	2	Toggle	Up to Serial or Engine Number C307019 CAT.3 From Serial or Engine Number C307020
4	3582043M1	1	Clevis Pin	CAT 2 Diameter 25,4MM Length 124MM
4	367073X1	1	Clevis Pin	CAT 3 Diameter 31,6MM
5	3387161M2	1	Pin	
6		2	Toggle	(2) Not serviced, order REF 2
7	3102086M91	2	Linch Pin	[A] (2) Diameter 11MM
7	3101913M91	2	Pin	[B] (2) Diameter 16MM
				[A] FOR 3042427M1 AND 3042426M1
				[B] FOR 3042428M1

1-AQ12-513-A



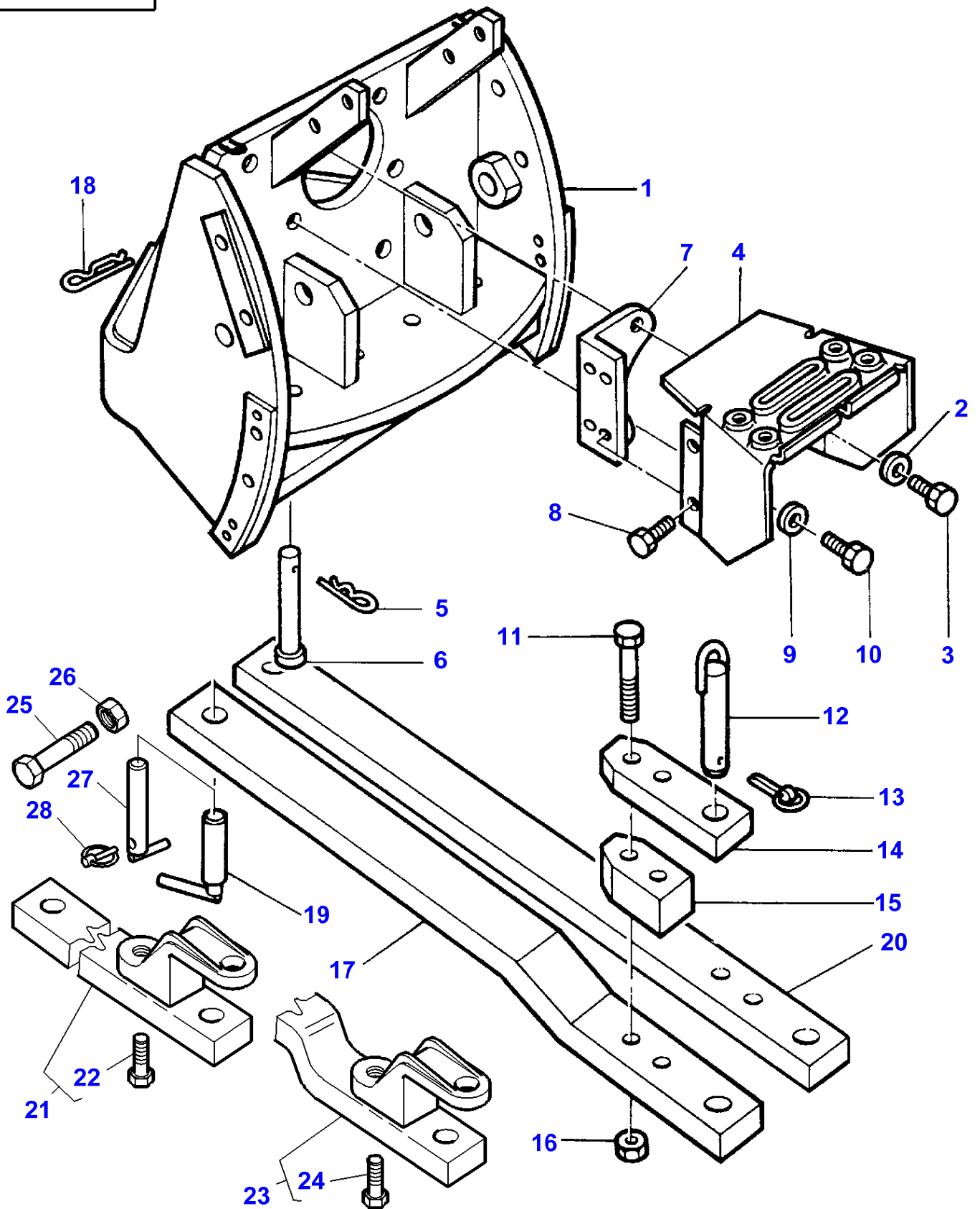
LINKAGE-SWINGING DRAWBAR

Item	Part Number	Qty	Description	Comments
1	3583228M00	1	Parts Pack	Up to Serial or Engine Number A051012
2	353775X1	8	Washer	
	353775X1	2	Washer	[B]
3	354710X1	8	Screw Unc	
	354702X1	2	Screw	[B]
6	3038960M1	1	Cowl	[A]
				See Page - Reference Number 382/ Up to Serial or Engine Number A051012
7	365114X1	2	Pin	Up to Serial or Engine Number 14-OCT-1996
	3010632X1	2	Pin	From Serial or Engine Number 15-OCT-1996
8	831665M1	2	Clevis Pin	Diameter 19MM Up to Serial or Engine Number 14-OCT-1996
8	3010631X1	2	Clevis Pin	Diameter 25MM From Serial or Engine Number 15-OCT-1996
9	3041840M91	1	Bearer	Right Hand
	3041842M91	1	Bearer	Left Hand
10	353676X1	4	Screw Unc	Diameter 5/16"
11	377329X1	2	Washer	
12	353728X1	2	Bolt Unc	Up to Serial or Engine Number A051012 Diameter 5/8
12	353727X1	2	Screw Unc	From Serial or Engine Number A051013 Diameter 5/8
12	353901X1	2	Screw Unc	[B]
13	3008563X1	2	Screw	Diameter M20X150
	3010023X1	2	Screw	Diameter M20X160MM
14	3387270M91	1	Pin Hitch	
15	3382826M1	1	Pin	
16	3583333M1	1	Plate	Up to Serial or Engine Number A198028
	3617441M1	1	Plate	From Serial or Engine Number A198029 Up to Serial or Engine Number B018020
17	3386410M2	1	Block	Thickness 70MM Up to Serial or Engine Number B018020
18	3009747X1	2	Nut	
19	3389481M2	1	Bar	Up to Serial or Engine Number A198028
	3617447M1	1	Bar	From Serial or Engine Number A198029 Up to Serial or Engine Number B018020
20	3580961M1	1	Pin	
21	3382702M91	1	Clevis Pin	Up to Serial or Engine Number 14-OCT-1996
22	3582213M2	1	Hook	(1)
23	3582216M1	1	Clevis Pin	(1)
24	3382824M1	1	Pin	(1)
25	3582197M1	1	Clevis Pin	(1)
26	391403X1	1	Pin	(1)
27	3582260M91	1	Support	(1) Up to Serial or Engine Number A051012 From Serial or Engine Number A051013
28	3582260M93	1	Support	From Serial or Engine Number A051013
29		2	Roll Pin	See Page - Reference Number 182/
30		2	Spring	See Page - Reference Number 182/
31		1	Cowl	See Page - Reference Number 182/
32	3618581M91	1	Bar	From Serial or Engine Number B018021
33		1	Bar	(32) Not serviced, order REF.32
34		1	Hook	(32) Not serviced, order REF.32
35	1442668X1	2	Screw	(32) From Serial or Engine Number B018021
36	3010468X1	1	Screw	M6X55 Up to Serial or Engine Number 14-OCT-1996
37	1441500X1	1	Locknut	Up to Serial or Engine Number 14-OCT-1996
38	3790183M91	1	Pin Hitch	From Serial or Engine Number 15-OCT-1996
39	3615074M1	1	Pin	From Serial or Engine Number 15-OCT-1996

[A]
 THE APPROPRIATE SAFETY DECALS MUST BE ORDERED AND FITTED TO THIS PART

[B]
 WITHOUT SWINGING DRAWBAR, WITHOUT HITCH

1-AQ12-514-A



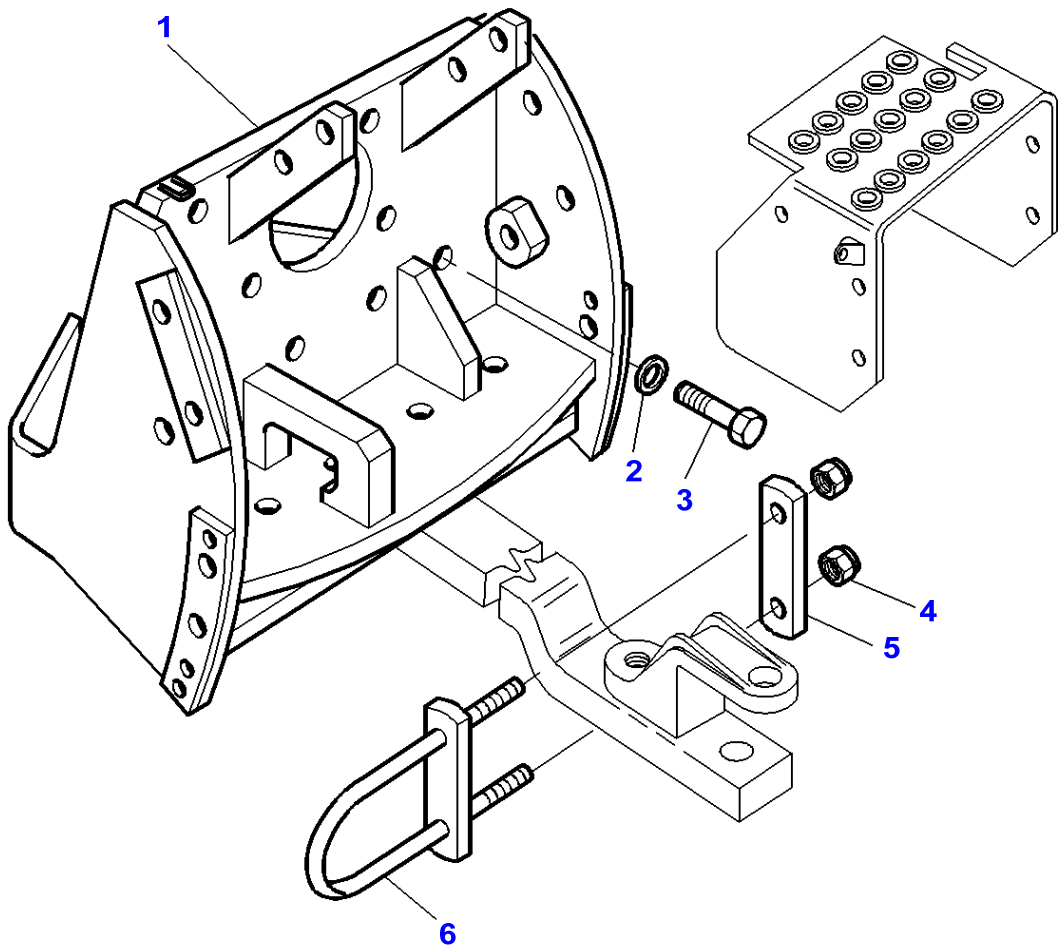
LINKAGE-SWINGING DRAWBAR

Item	Part Number	Qty	Description	Comments
1	3616347M92	1	Support	
2	353775X1	8	Washer	
3	354710X1	8	Screw Unc	
4	3038960M1	1	Cowl	[A] See Page - Reference Number 382/ See Page - Reference Number 182/
4		1	Cowl	See Page - Reference Number 182/
5	365114X1	2	Pin	Up to Serial or Engine Number 14-OCT-1996
	3010632X1	2	Pin	From Serial or Engine Number 15-OCT-1996
6	831665M1	2	Clevis Pin	Up to Serial or Engine Number 14-OCT-1996
	3010631X1	2	Clevis Pin	From Serial or Engine Number 15-OCT-1996
7	3041840M91	1	Bearer	Right Hand
	3041842M91	1	Bearer	Left Hand
8	353676X1	4	Screw Unc	Diameter 5/16"
9	377329X1	2	Washer	
10	353727X1	2	Screw Unc	5/8-11 X 1'3/4
11	3008563X1	2	Screw	M20X150MM
	3010023X1	2	Screw	M20X160MM
12	3387270M91	1	Pin Hitch	
13	3382826M1	1	Pin	
14	3583333M1	1	Plate	
	3583333M1	1	Plate	[B] Up to Serial or Engine Number A198028
14	3617441M1	1	Plate	[B] From Serial or Engine Number A198029 Up to Serial or Engine Number B018020
15	3386410M2	1	Block	Thickness 70MM Up to Serial or Engine Number
16	3009747X1	2	Nut	
17	3580154M3	1	Bar	Up to Serial or Engine Number B288004
	3617445M1	1	Bar	From Serial or Engine Number B288005 Up to Serial or Engine Number C006012
18	3580961M1	1	Pin	
19	3382702M91	1	Clevis Pin	Up to Serial or Engine Number 14-OCT-1996
20	3389481M2	1	Bar	Up to Serial or Engine Number A198028
	3617447M1	1	Bar	From Serial or Engine Number A198029 Up to Serial or Engine Number B018021
21	3618581M91	1	Bar	From Serial or Engine Number B018021
22	1442668X1	2	Screw	(21)
23	3618579M91	1	Bar	From Serial or Engine Number C006013
24	1442668X1	2	Screw	(23)
25	3010468X1	1	Screw	M6X55 Up to Serial or Engine Number 14-OCT-1996
26	1441500X1	1	Locknut	Up to Serial or Engine Number 14-OCT-1996
27	3790183M91	1	Pin Hitch	From Serial or Engine Number 15-OCT-1996
28	3615074M1	1	Pin	From Serial or Engine Number 15-OCT-1996

[A]
 THE APPROPRIATE SAFETY DECALS MUST BE ORDERED AND FITTED TO THIS PART

[B]
 WITH STRAIGHT SWINGING DRAWBAR

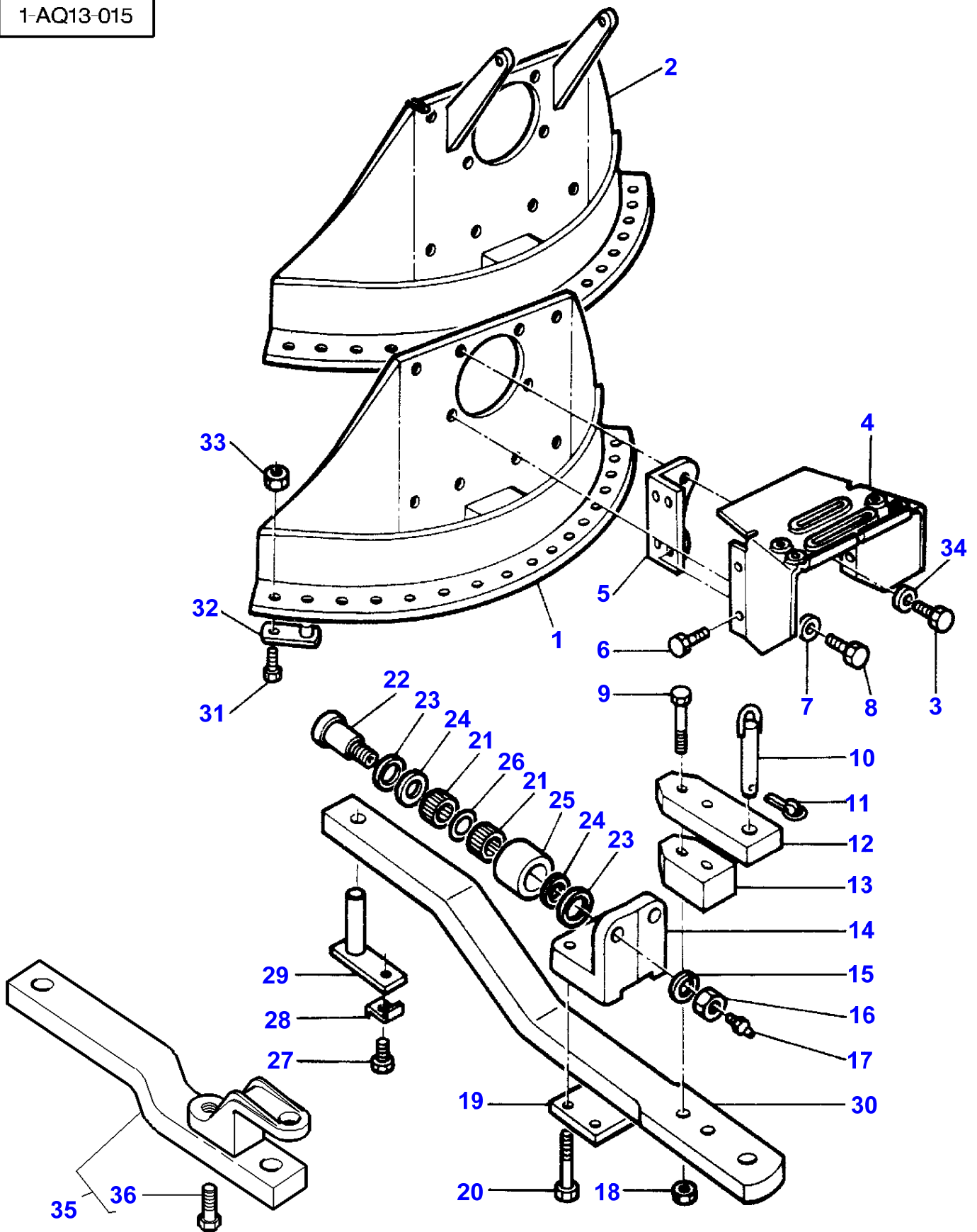
1-AQ12-518-A



MASSEY FERGUSON**MF 3690 TRACTOR - 1637223****1637223****LINKAGE-SWINGING DRAWBAR - WITH SAFETY CHAIN****203**

Item	Part Number	Qty	Description	Comments
				WITH SAFETY CHAIN
1	3790079M92	1	Support	
2	353775X1	8	Washer	
3	354710X1	8	Screw Unc	3/4-10X50
4	1442739X1	2	Locknut	
5	3790094M1	1	Counterplate	
6	3790093M1	1	Shackle	

1-AQ13-015

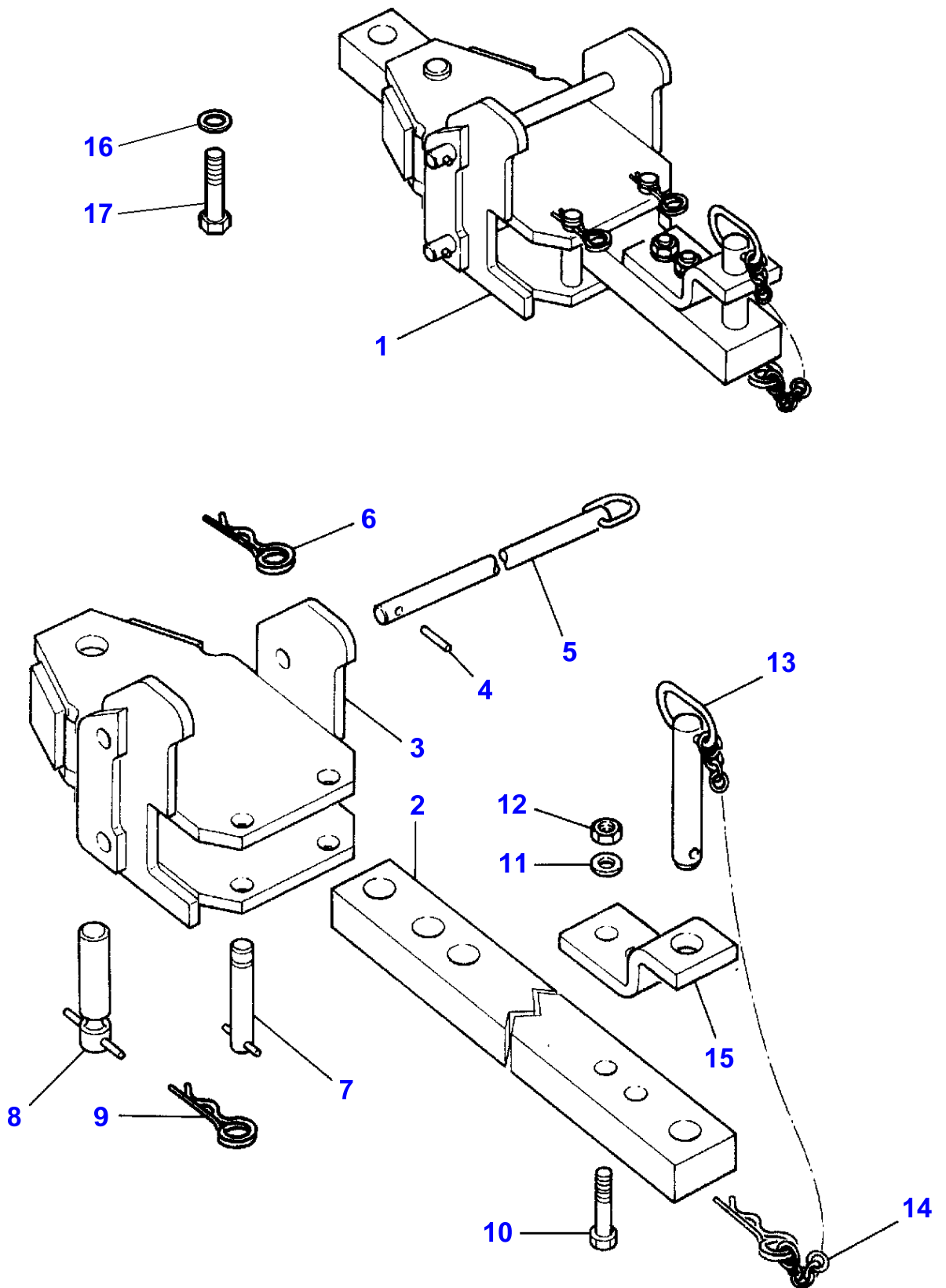


LINKAGE-ROLLER SWINGING DRAWBAR

Item	Part Number	Qty	Description	Comments
1	3387130M91	1	Support	Up to Serial or Engine Number B117003
2	3387130M93	1	Support	From Serial or Engine Number B117004
3	354710X1	8	Screw Unc	
4	3038960M1	1	Cowl	[A]
				See Page - Reference Number 382/ See Page - Reference Number 182/
4		1	Cowl	
5	3041840M91	1	Bearer	Right Hand
	3041842M91	1	Bearer	Left Hand
6	353676X1	4	Screw Unc	
7	377329X1	2	Washer	
8	353727X1	2	Screw Unc	Diameter 5/8"
9	3008563X1	2	Screw	Diameter M20X150MM
	3010023X1	2	Screw	Diameter M20X160
10	3387270M91	1	Pin Hitch	
11	3382826M1	1	Pin	
12	3386368M1	1	Plate	Thickness 20MM
	3583333M1	1	Plate	Thickness 30MM
				Up to Serial or Engine Number 02/94
13	3386410M2	1	Block	Thickness 70MM Up to Serial or Engine Number 02/94
14	1618170M1	1	Angle	
15	353443X1	2	Washer	
16	355646X1	2	Nut Unf	Diameter 1"-12 UNF
17	364461X1	2	Nipple	
18	3009747X1	2	Nut	
19	1618167M1	1	Plate	
20	354726X1	4	Bolt Unc	
21	833083M1	4	Bearing Needle	
22	1618207M1	2	Clevis Pin	Diameter 1"-12 UNF
23	1618290M1	4	Washer	
24	831225M1	4	Seal	
25	1618190M1	2	Roller	
26	1618225M1	2	Spacer	
27	3010468X1	1	Screw	M6X55
28	1611625M1	1	Plate	
29	1610655M91	1	Clevis Pin	
30	3386962M1	1	Bar	Up to Serial or Engine Number 02/94
31	3001968X1	2	Screw	Diameter M20 Length 60MM
32	1618169M91	2	Clevis Pin	
33	3009747X1	2	Nut	Diameter M20
34	353775X1	8	Washer	
35	3618580M91	1	Bar	From Serial or Engine Number 03/94
36	1442668X1	2	Screw	(35)

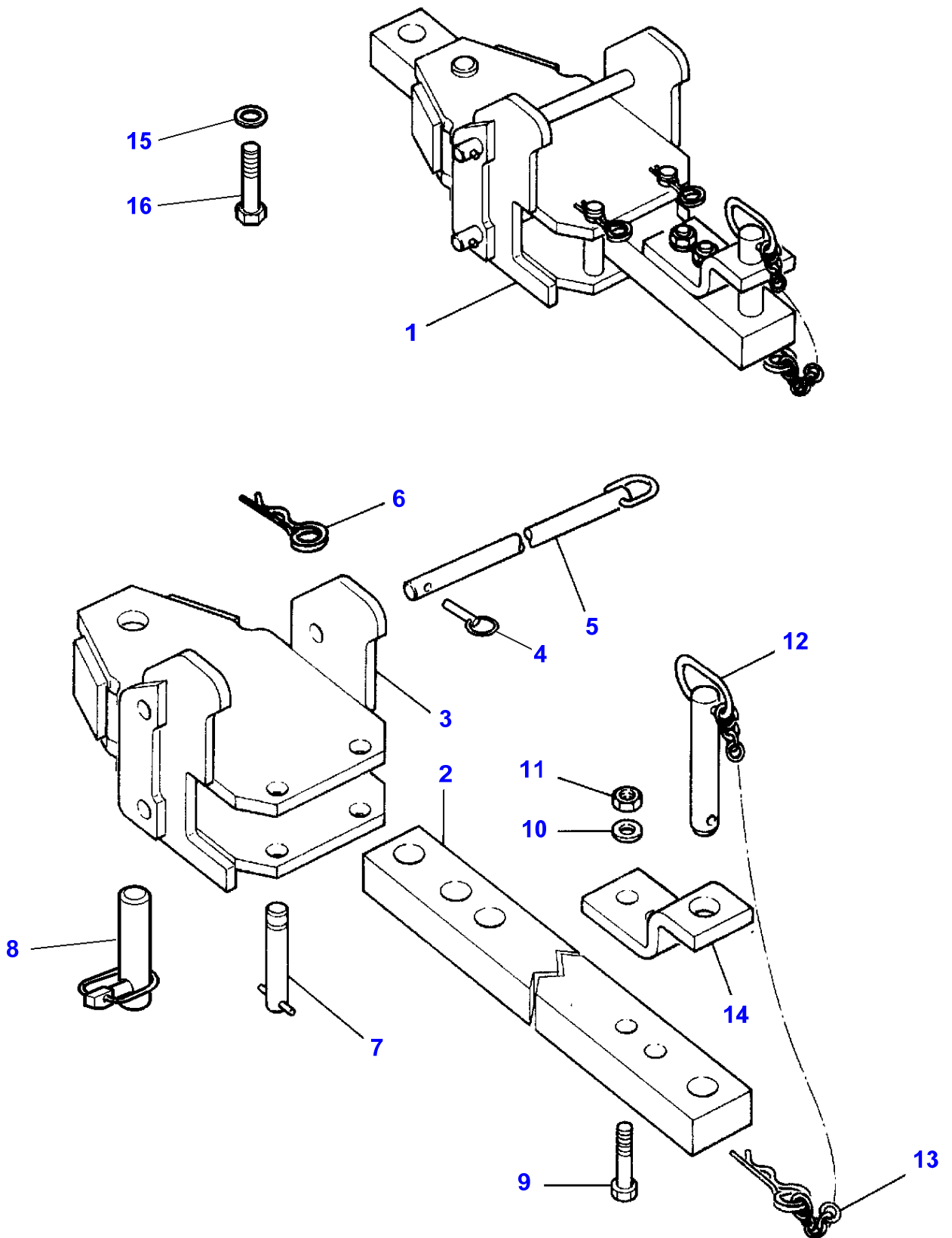
[A]
THE APPROPRIATE SAFETY DECALS MUST BE ORDERED AND FITTED TO THIS PART

1-AQ01-003



Item	Part Number	Qty	Description	Comments
				UP TO SERIAL OR ENGINE NUMBER D150019
1	3615489M91	1	Support	
2	3615491M1	1	Bar	(1)
3	3713049M1	1	Support	(1)
				3106462M1
4		2	Pin	(1)
				Not serviced, order REF NO 5
5	3615496M1	2	Pin Hitch	(1)
6		2	Pin	(1)
				Not serviced, order REF NO 7
7	3615494M1	2	Pin Hitch	(1)
8	3615495M1	1	Pin Hitch	(1)
9	1433140M1	1	Clip	(1)
				3302334M1
10	3019865X1	2	Bolt Metric	(1)
11	1441664X1	2	Washer Metric	(1)
12	339034X1	2	Nut Metric	(1)
13	3615493M1	1	Pin Hitch	(1)
14		1	Pin	(1)
				Not serviced, order REF NO 13
15	3615492M1	1	Clevis	(1)
16	3580246M1	1	Washer	Diameter 20MM
17	1442668X1	1	Screw	M20X80MM

1-AQ01-004



MASSEY FERGUSON**MF 3690 TRACTOR - 1637223**

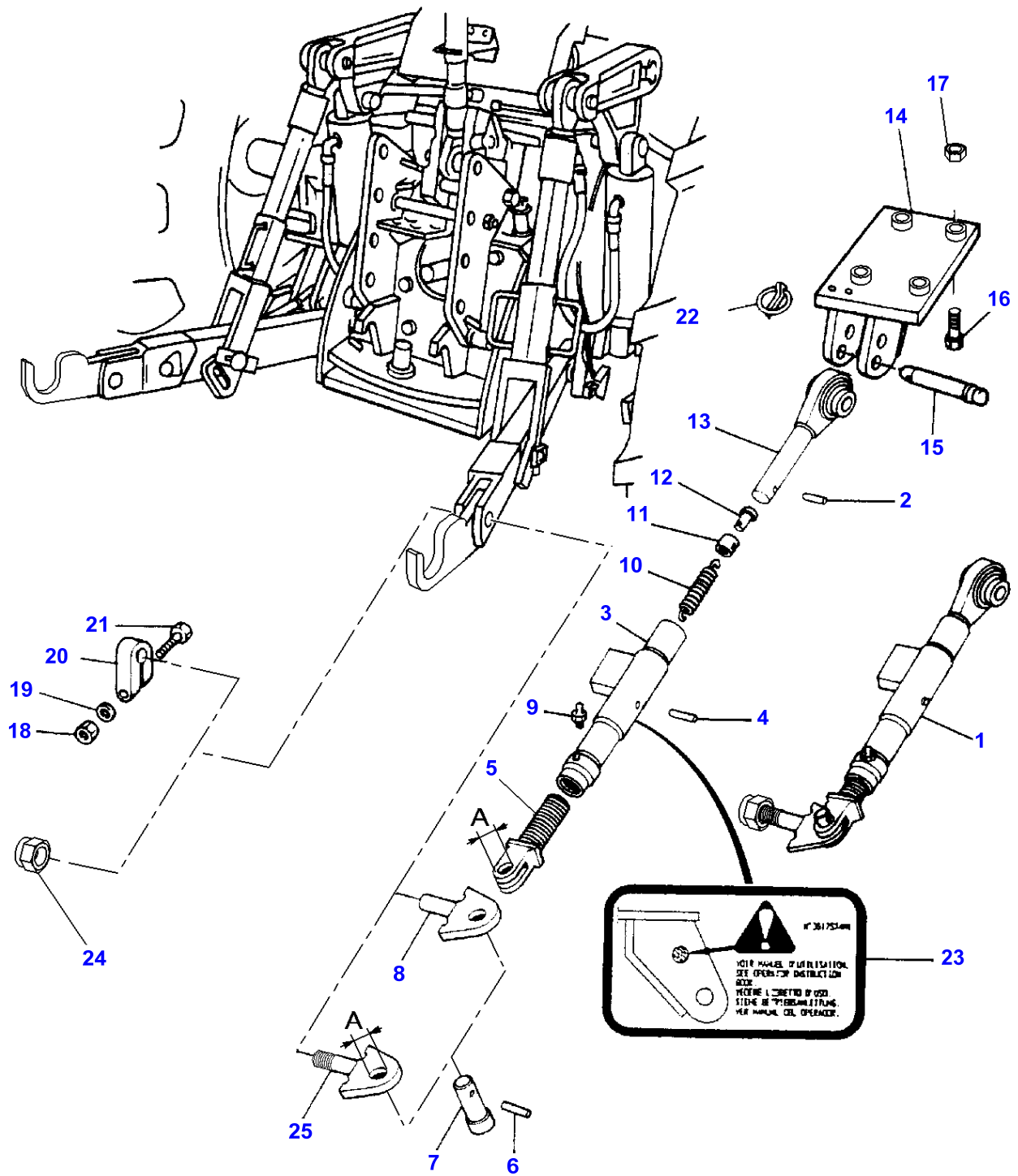
1637223

LINKAGE - FROM SERIAL OR ENGINE NUMBER D150020

206

Item	Part Number	Qty	Description	Comments
				FROM SERIAL OR ENGINE NUMBER D150020
1	3712922M91	1	Support	
2	3712923M1	1	Bar	(1)
3	3713049M1	1	Support	(1)
4	3382825M1	2	Pin	(1)
5	3615496M1	2	Pin Hitch	(1)
6		2	Pin	(1)
				Not serviced, order REF 7
7	3618309M91	2	Pin Hitch	(1)
8	3712926M1	1	Pin Hitch	(1)
9	3108124M1	2	Bolt	(1)
10	1441664X1	2	Washer Metric	(1)
11	339034X1	2	Nut Metric	(1)
12	3615493M1	1	Pin Hitch	(1)
13		1	Pin	(1)
				Not serviced, order REF 12
14	3615492M1	1	Clevis	(1)
15	3580246M1	1	Washer	Diameter 20MM
16	1442668X1	1	Screw	M20X80MM

1-AQ16-503-A

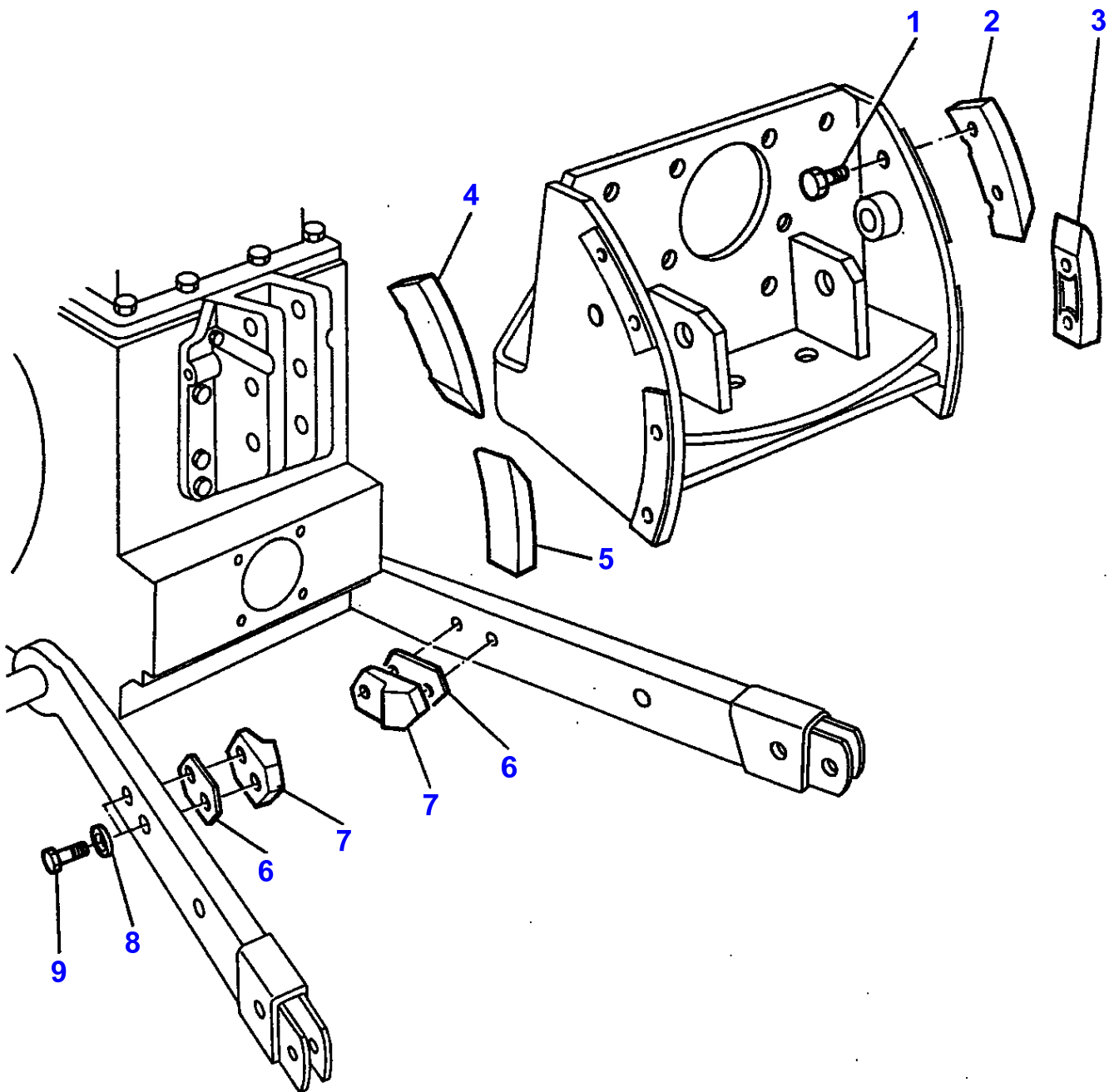


LINKAGE-TUBE STABILIZERS

Item	Part Number	Qty	Description	Comments
1	3615707M93	2	Stabiliser	
2	391290X1	1	Pin	(1)
3	3615712M2	1	Tube	(1)
4	3000226X1	1	Pin	(1) Diameter 8X50MM
5	3615713M1	1	Clevis	(1) A=16MM
5	3790004M1	1	Clevis	(1) A=20MM
6	391371X1	1	Pin	(1)
7	3019222X1	1	Clevis Pin	(1) Diameter 16MM
7	3019228X1	1	Clevis Pin	(1) Diameter 20MM
8	3389934M2	1	Journal	Up to Serial or Engine Number A114011 3616304M1
9	339608X1	1	Grease Nipple	(1)
10	3615711M1	1	Spring	(1)
11	3615709M1	1	Sleeve	(1)
12	3615710M1	1	Clevis Pin	(1)
13	3615708M1	1	Toggle	(1)
14	3616366M2	1	Support	Left Hand
	3616367M2	1	Support	Right Hand
15	3615647M1	2	Clevis Pin	
16	3010047X1	8	Screw	M20X60
17		X	Not Used	
18	3009693X1	2	Nut Metric	Up to Serial or Engine Number A114011
19	339376X1	2	Lock Washer	Up to Serial or Engine Number A114011
20	3580932M1	2	Knuckle	Up to Serial or Engine Number A114011
21	3009496X1	2	Bolt Metric	Up to Serial or Engine Number A114011
22	1442492X1	2	Pin	
23	3617574M2	2	Decal	
24	3001189X1	1	Nut	(1) From Serial or Engine Number A114012
25	3618009M1	1	Journal	(1) From Serial or Engine Number A114012 A=16MM
25	3790005M1	1	Journal	(1) A=20MM

[A]
WITH HEAVY DUTY REAR AXLE HOUSING COMPOSITE REDUCE R

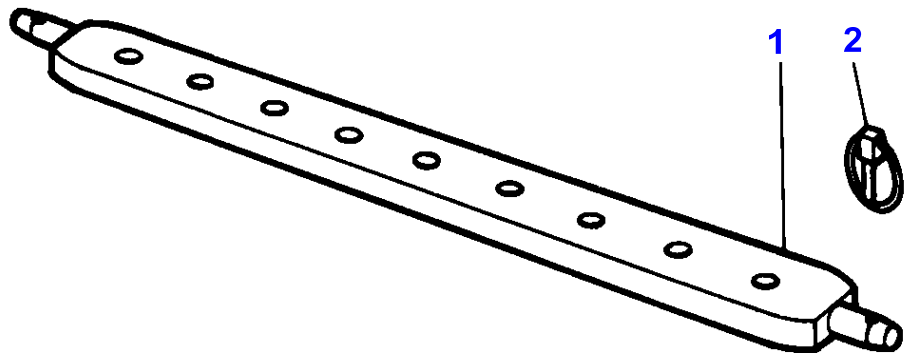
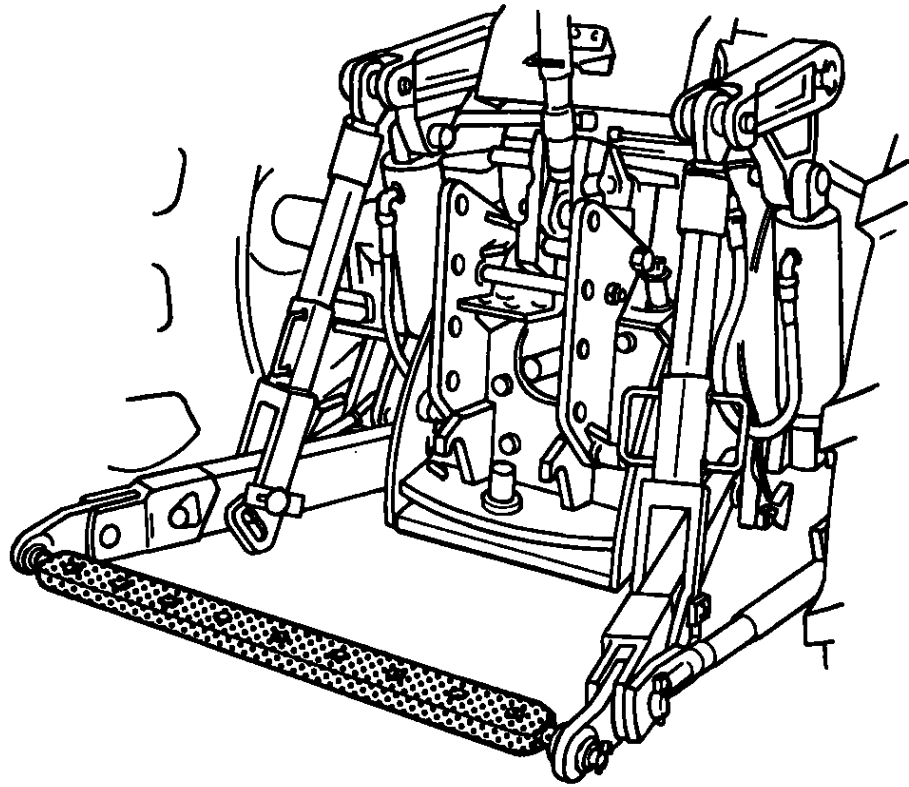
1-AQ15-003



MASSEY FERGUSON**MF 3690 TRACTOR - 1637223****1637223****208****LINKAGE-SHOE STABILIZERS**

Item	Part Number	Qty	Description	Comments
1	339275X1	8	Screw Metric	
2	3616358M1	1	Shoe	Top Right Hand
3	3616356M1	1	Shoe	Bottom Right Hand
4	3616359M1	1	Shoe	Top Left Hand
5	3616355M1	1	Shoe	Bottom Left Hand
6	3386369M1	4	Chock	
7	3389899M1	2	Hasp	
8	1443769X1	4	Washer	
9	391888X1	4	Bolt Metric	

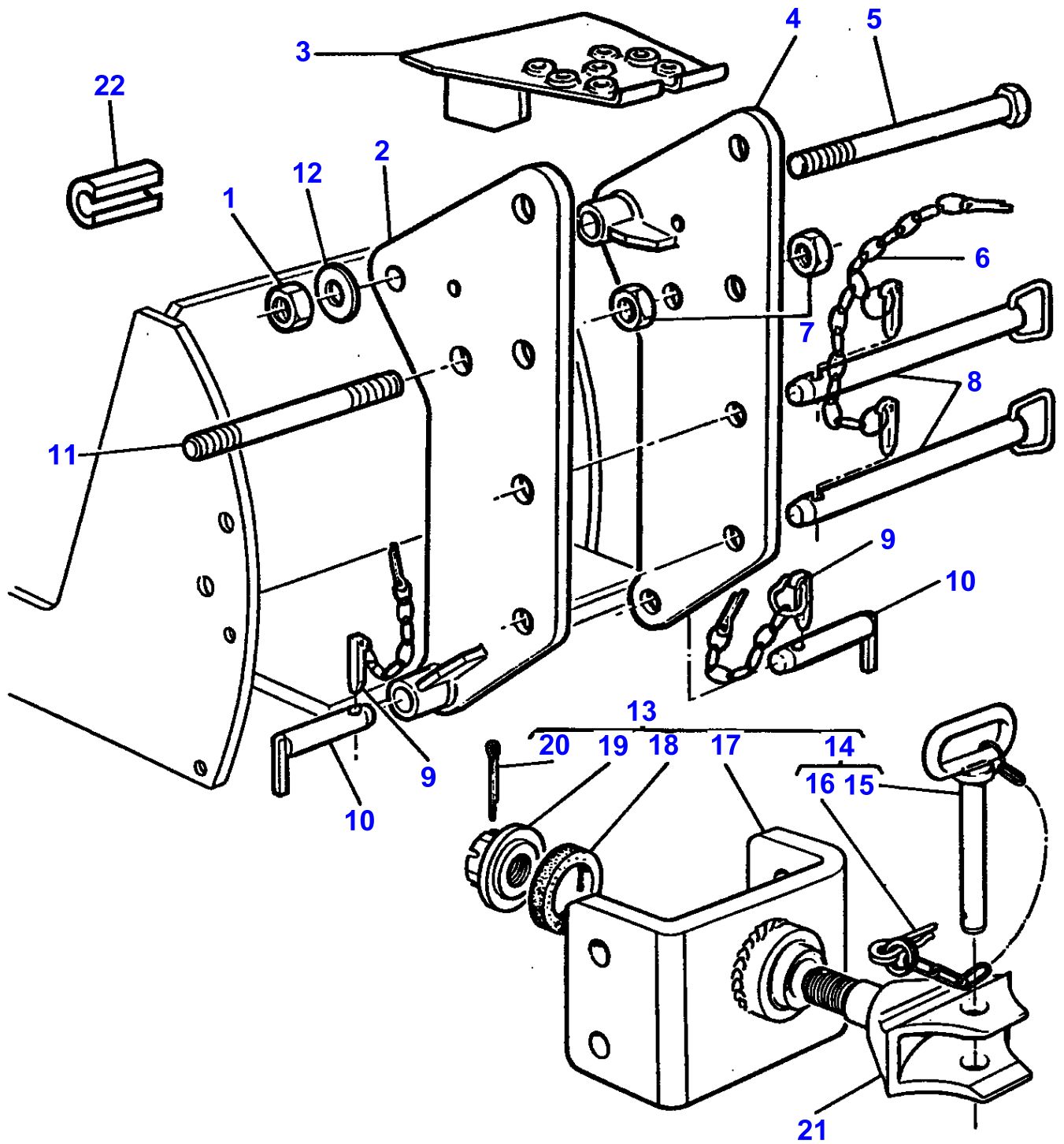
1-AQ14-001



MASSEY FERGUSON**MF 3690 TRACTOR - 1637223****1637223****LINKAGE-DRAWBAR****209**

Item	Part Number	Qty	Description	Comments
1	3387153M1	1	Bar	CAT 2
2	3581687M1	2	Pin	

1-AQ18-013



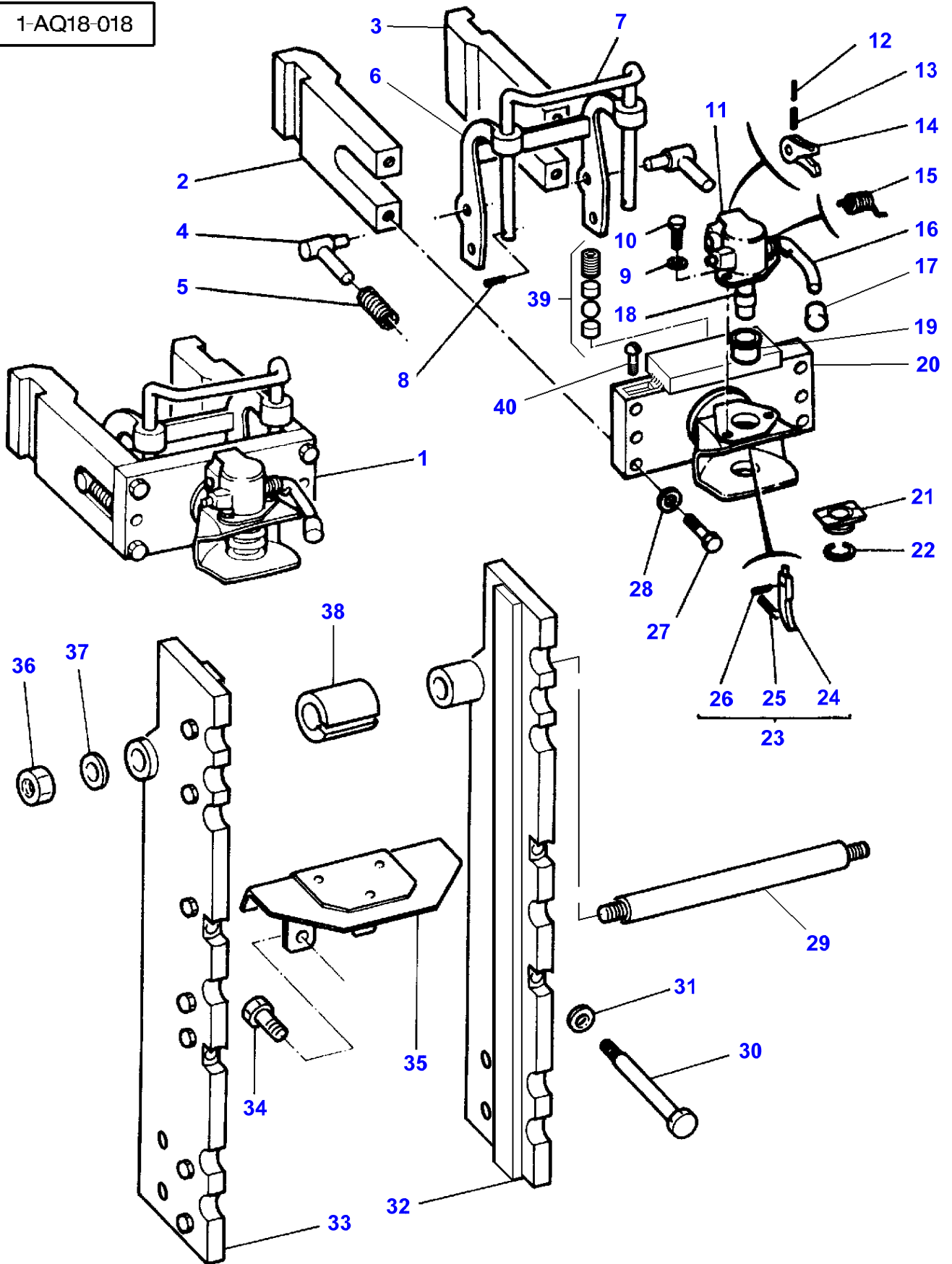
HITCH - BRACKETS AND GUARDS

Item	Part Number	Qty	Description	Comments
BRACKETS AND GUARDS				
1	353920X1	1	Nut Unf	Diameter 7/8"
2	3041384M95	1	Bearer	Left Hand
3	3041848M91	1	Cowl	[A]
4	3041385M95	1	Bearer	Right Hand
5	3041458M3	1	Clevis Pin	
6	3052882M1	1	Chain	
7	339068X1	2	Nut Metric	Diameter 24MM
8	3033846M94	2	Pin Hitch	Diameter 30MM
9	3387533M91	2	Chain	
10	3389579M92	2	Pin Hitch	Diameter 25MM Length 142MM
11	3041402M1	1	Stud	
12	353763X1	1	Washer	
13	3041098M1	1	Hook	[B]
14	1634233M91	1	Pin Hitch	(13)
15		1	Pin Hitch	(14)
16		1	Pin	Not serviced, order REF 14 (14) Not serviced, order REF 14
17	1633448M91	1	Frame	(13)
18	1809330M1	1	Bush	(13)
19	1645984M1	1	Nut	(13)
20	1645985M1	1	Pin	(13)
21	1633445M2	1	Clevis	(13)
22	3615487M1	1	Bush	

[A]
THE APPROPRIATE SAFETY DECALS MUST BE ORDERED AND FITTED TO THIS PART

[B]
LEMOINE

1-AQ18-018



HITCH - CRAMER

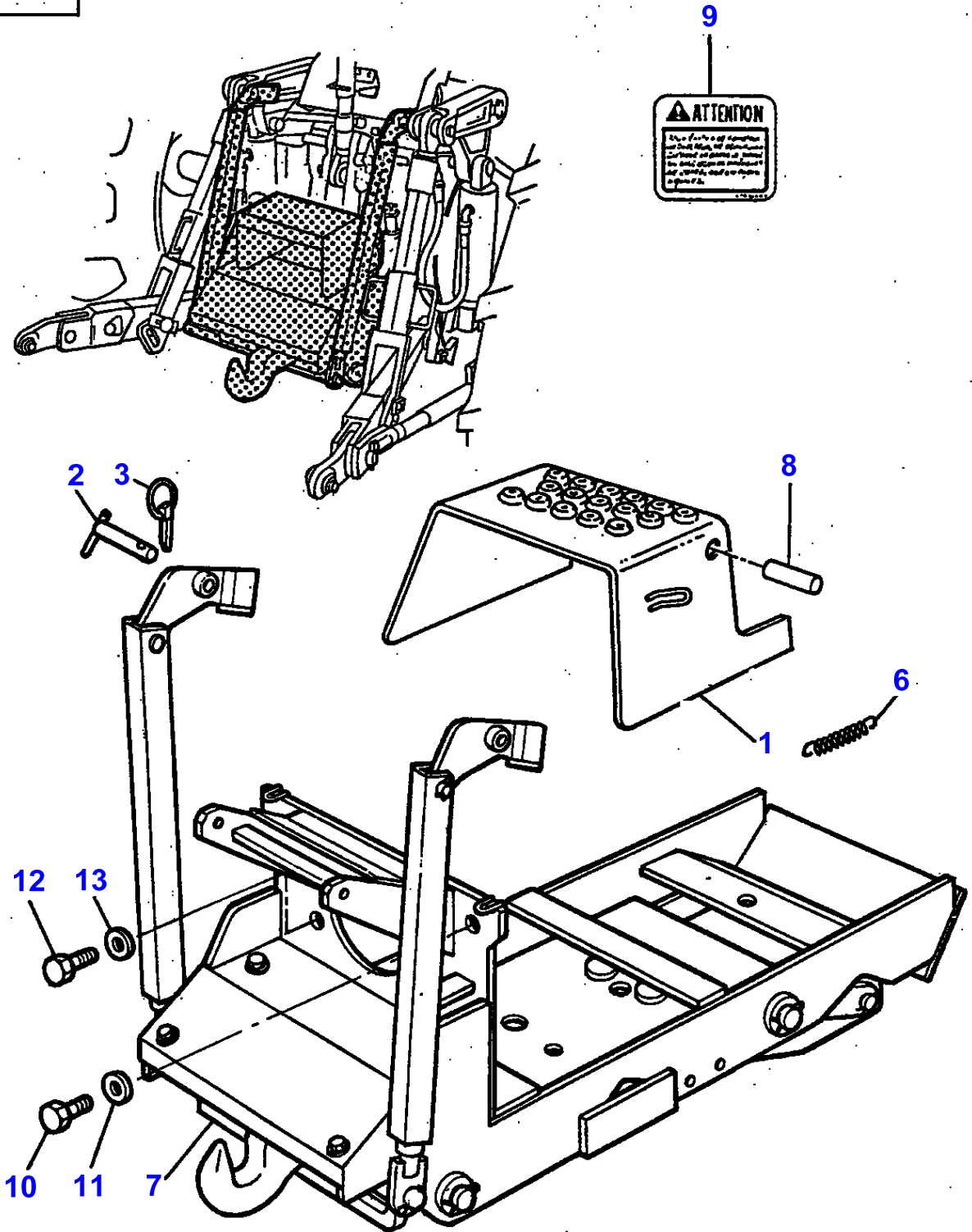
Item	Part Number	Qty	Description	Comments
				CRAMER
1	3615488M1	1	Clevis	
2	3106143M1	1	Side	(1) Left Hand
3	3106142M1	1	Side	(1) Right Hand
4	3106144M1	2	Clevis Pin	(1)
5	3104864M2	2	Spring	(1)
6		1	Lever	(1) Not serviced, order 3615488M1
7		1	Lever	(1) Not serviced, order 3615488M1
8	1440397X1	2	Pin	(1)
9	391363X1	2	Washer	(1)
10	339401X1	2	Screw Metric	(1)
11	3106114M2	1	Head	(1) Diameter 32MM
11	3106115M2	1	Head	(1) Diameter 38MM
12	1440999X1	1	Pin	(1)
13	391018X1	1	Pin	(1)
14	3902189M91	1	Riser	(1)
15	3103594M1	1	Shock Absorber	(1) 3104686M3
16	3107099M91	1	Lever	(1)
17	3104395M1	1	Cap	(1)
18	3106116M2	1	Pin Hitch	(1) Diameter 32MM
18	3105149M1	1	Pin Hitch	(1) Diameter 38MM
19	3102053M1	1	Bush	(1) Diameter 32MM
19	3105148M1	1	Guide Sleeve	(1) Diameter 38MM
20		1	Hook	(1) Not serviced, order 3615488M1
21	3105920M1	1	Sleeve	(1)
22	395520X1	1	Circlip	(1)
23	3106119M2	1	Hasp	(1)
24		1	Hasp	(23) Not serviced, order 3106119M1
25	3103105M2	1	Spring	(23)
26	1440999X1	1	Pin	(23)
27	3001968X1	4	Screw	(1)
28	3004804X1	4	Washer	(1)
29	3615486M1	1	Draglink	
30	380001X1	4	Screw	Up to Serial or Engine Number C109033
	380001X1	2	Screw	[A] From Serial or Engine Number C109034
30	3010045X1	2	Screw	[A] M20X90 From Serial or Engine Number C109034
31	353775X1	4	Washer	Up to Serial or Engine Number C109033
	353775X1	2	Washer	[A] From Serial or Engine Number C109034
31	385365X1	2	Washer	[A] Diameter 22MM From Serial or Engine Number C109034
32	3615484M1	1	Support	Right Hand Up to Serial or Engine Number C109033
32	3619358M1	1	Support	[A] Right Hand From Serial or Engine Number C109034
33	3615485M1	1	Support	Left Hand Up to Serial or Engine Number C109033
33	3619359M1	1	Support	[A] Left Hand From Serial or Engine Number C109034
34		X	Screw	See Page - Reference Number 175/2

HITCH - CRAMER

Item	Part Number	Qty	Description	Comments
35	3583417M91	1	Protector	
36	3616499M1	2	Nut	
37	3616409M1	2	Washer	
38	3615487M1	1	Bush	
39	3105953M91	1	Kit, Brake	
40	1441574X1	3	Pin	(1)

[A]
WITH QUICK ADJUSTMENT

1-AQ21-030

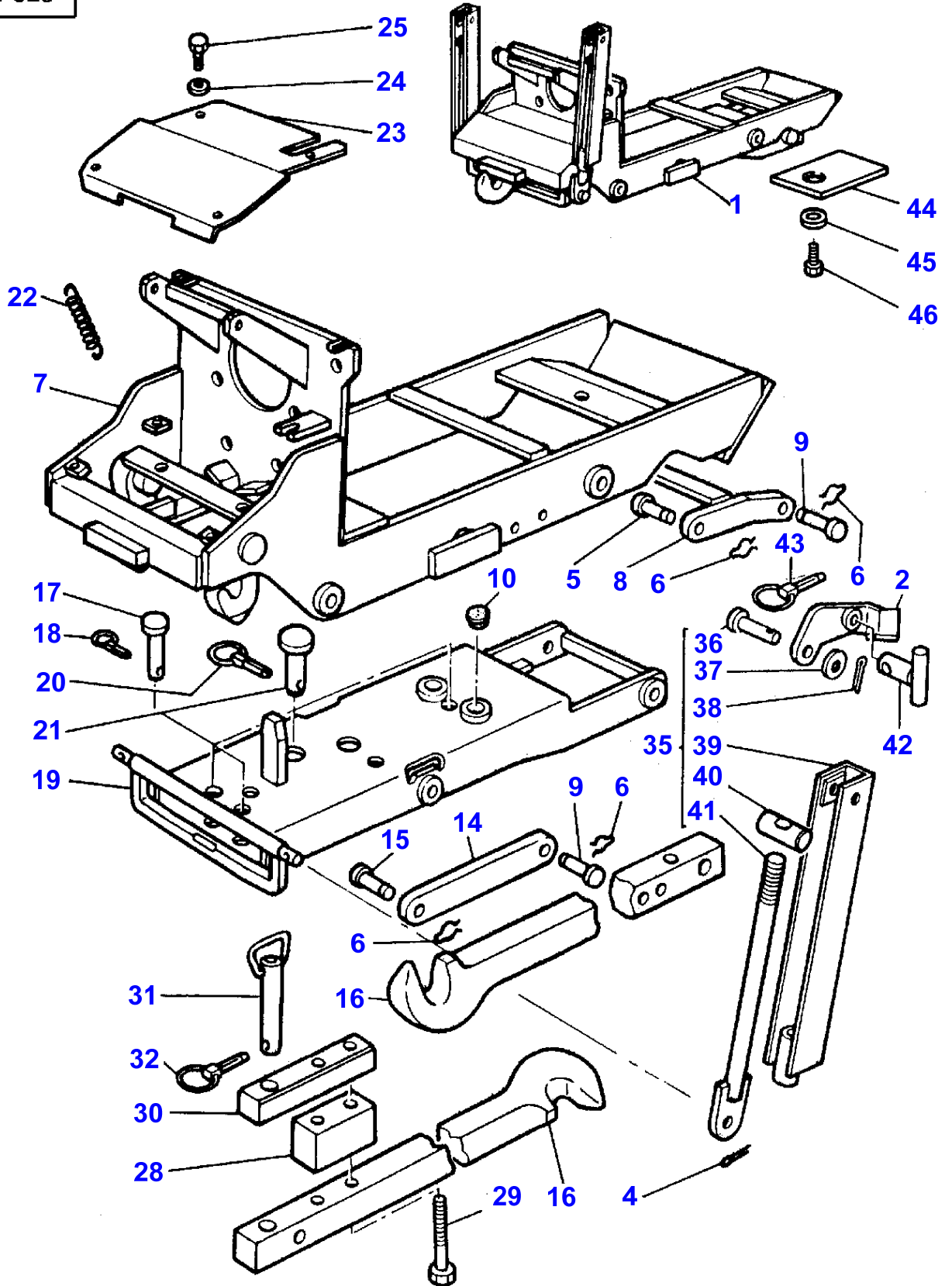


AUTOMATIC HITCH-WITH REMOTE CONTROL

Item	Part Number	Qty	Description	Comments
1	3583385M91	1	Cowl	[A] Up to Serial or Engine Number A295007
2	3467891M1	2	Clevis Pin	
3	1426056M91	2	Pin	
6	3389709M1	2	Spring	Right Hand Left Hand Up to Serial or Engine Number B097025
6	3618683M1	1	Spring	Left Hand From Serial or Engine Number B097026
7		1	Hook	See Page - Reference Number 213/
8	3019541X1	2	Roll Pin	
9		1	Decal	See Page - Reference Number 382/
10	354708X1	2	Screw Unc	Diameter 3/4" Length 44MM
11	353775X1	6	Washer	
12	353727X1	2	Screw Unc	Diameter 5/8" Length 44MM
13	353774X1	2	Washer	

[A]
THE APPROPRIATE SAFETY DECALS MUST BE ORDERED AND FITTED TO THIS PART

1-AQ21-029



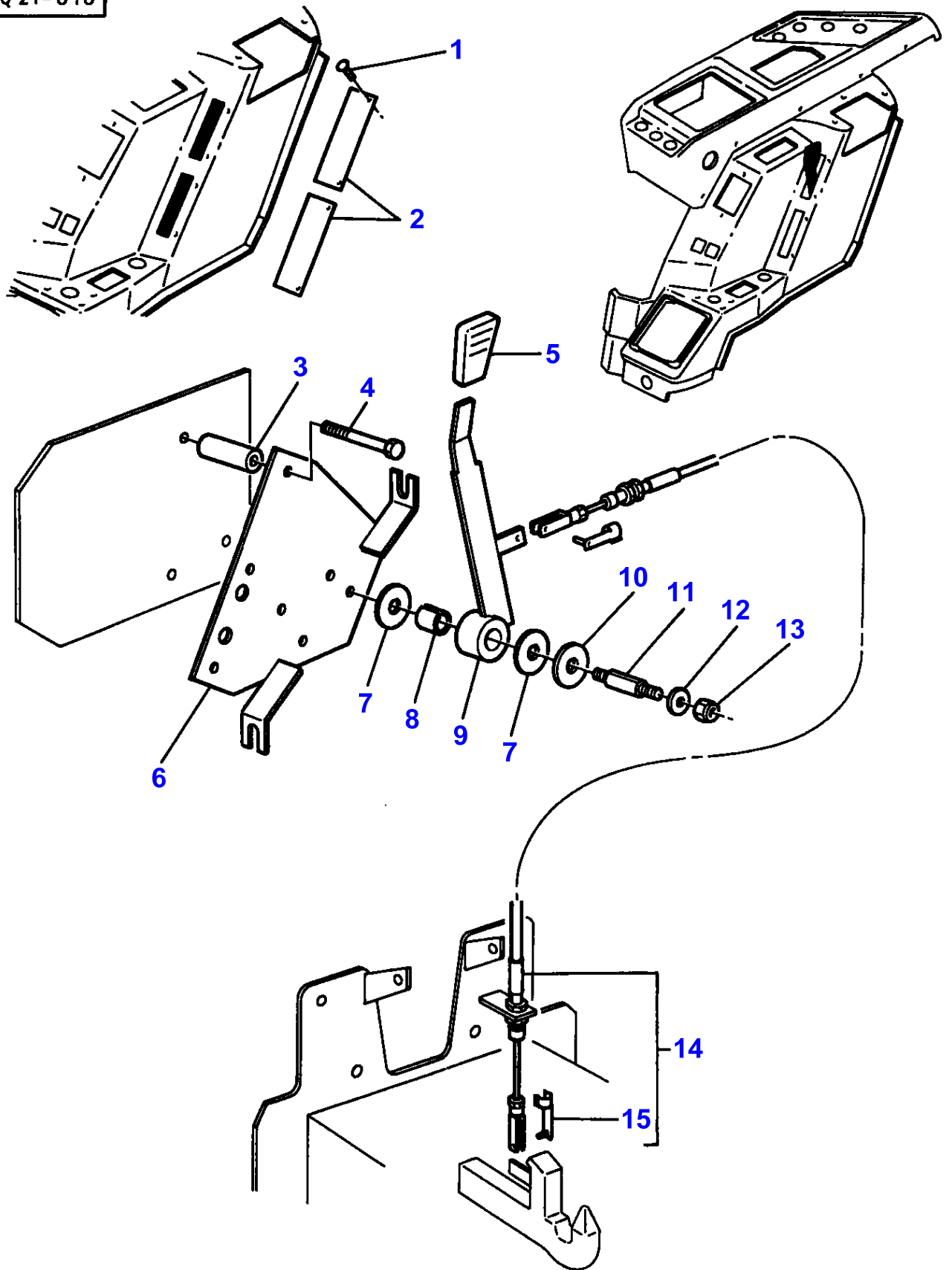
AUTOMATIC HITCH-WITH REMOTE CONTROL

Item	Part Number	Qty	Description	Comments
1	3615351M94	1	Hook	[A]
2	3600292M1	1	Extension	(1) Left Hand
2	3600293M1	1	Extension	(1) Right Hand
4	3467763M1	2	Pin	(1)
5	3467747M1	2	Clevis Pin	(1)
6	3467746M1	8	Pin	(1)
7	3600294M92	1	Housing	(1) Top
8	3467745M1	1	Conrod	(1)
9	3467766M1	4	Clevis Pin	(1)
10	1634996M1	3	Pad	(1)
14	3467749M1	2	Conrod	(1)
15	3467747M1	2	Clevis Pin	(1)
16	3467898M1	1	Dragbar	(1)
17	3467758M1	3	Clevis Pin	(1)
18	3902637M1	3	Pin	(1) 3465830M1
19	3467899M91	1	Housing	(1) Bottom
20	3467756M1	1	Pin	(1)
21	3467757M1	1	Clevis Pin	(1)
22	1642024M1	1	Spring	(1)
23	3600295M1	1	Cover	[A] See Page - Reference Number 382/
24	390187X1	4	Washer Metric	(1)
25	339666X1	4	Screw Metric	(1) M6X20MM
28	3467897M1	1	Spacer	(1)
29	3467895M1	2	Screw	(1) M14X130MM
30	3467896M1	1	Plate	(1)
31	3467693M94	1	Pin Hitch	(1)
32	1426056M91	1	Pin	(1)
35	3600296M92	2	Rod	(1) Up to Serial or Engine Number d170013
35	3902635M91	2	Rod	(1) From Serial or Engine Number d170014
36	3902480M1	1	Clevis Pin	(35)
37	390973X1	1	Washer Metric	(35)
38	354068X1	1	Pin	(35)
39		1	Rod	(35) Not serviced, order REF.35
40	3600282M1	1	Guide	(35) Up to Serial or Engine Number d170013
40	3902481M1	1	Guide	(35) From Serial or Engine Number d170014
41	3467993M2	1	Rod	(35) Up to Serial or Engine Number A132011 Length 543MM
41	3900280M1	1	Rod	(35) From Serial or Engine Number A132012 Up to Serial or Engine Number d170013 Diameter 16MM
41	3902574M1	1	Rod	(35) From Serial or Engine Number d170014 Diameter 20MM
42	3467891M1	2	Clevis Pin	(1)
43	1426056M91	2	Pin	(1)
44	3616085M1	X	Chock	Thickness 2MM
	3616086M1	X	Chock	Thickness 3MM
45	3580246M1	1	Washer	Diameter 20MM
46	3010045X1	1	Screw	M20X90MM

[A]

THE APPROPRIATE SAFETY DECALS MUST BE ORDERED AND FITTED TO THIS PART

1-AQ 21-018

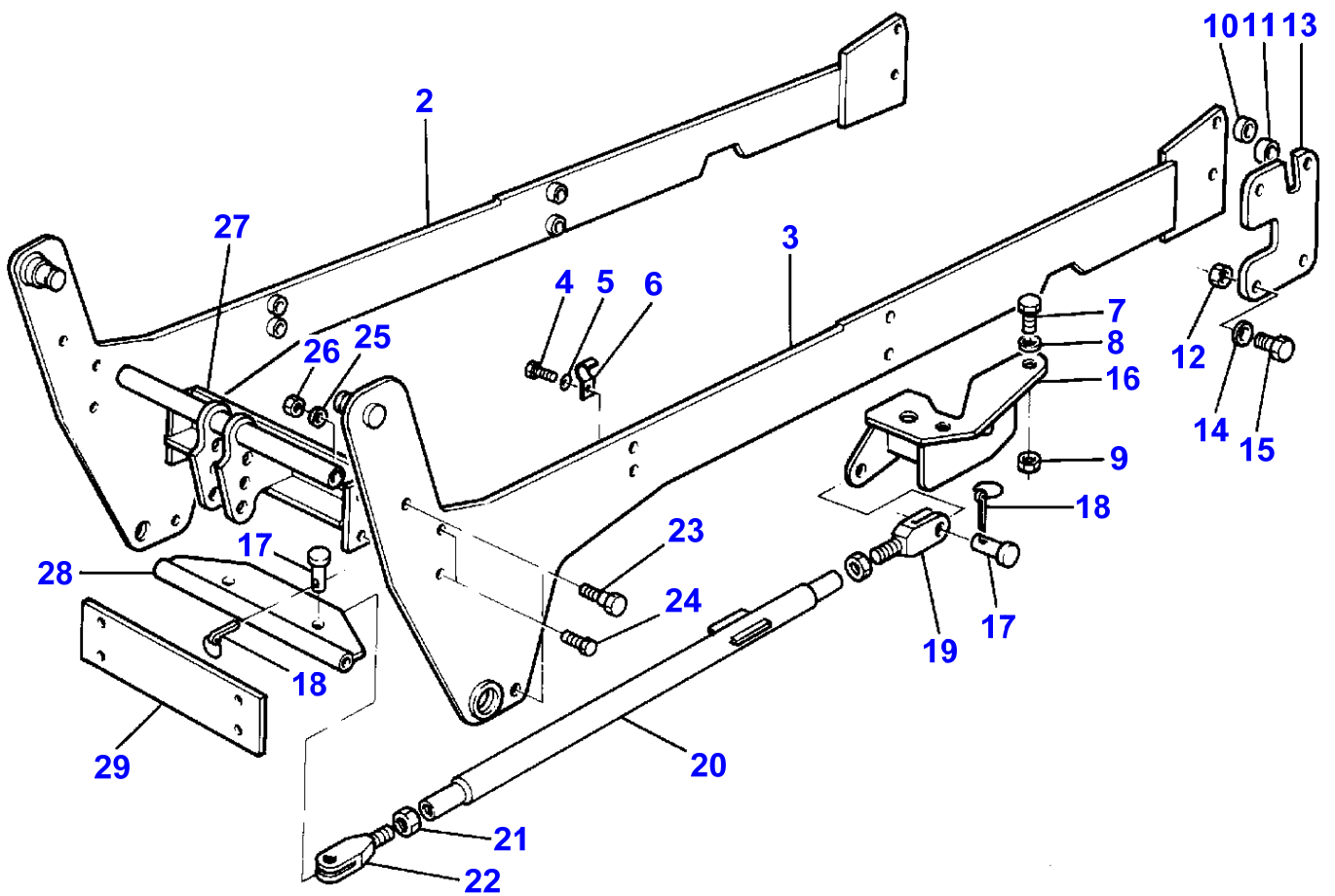
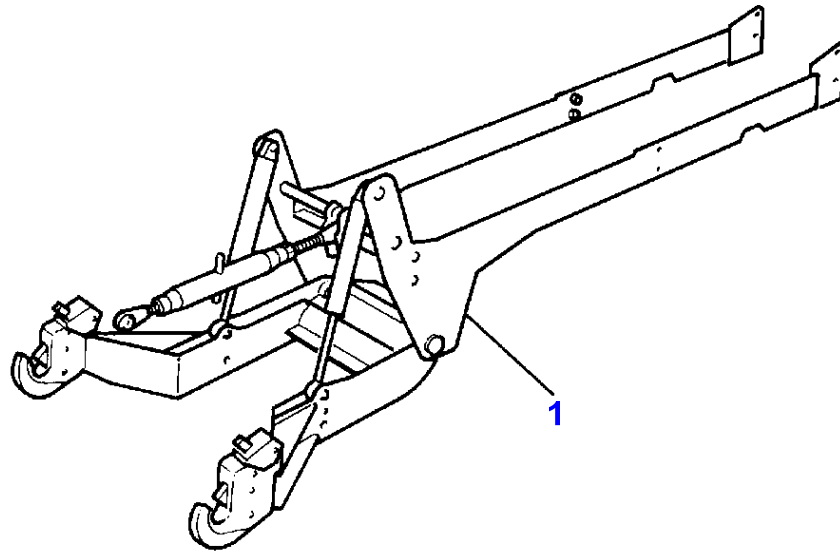


AUTOMATIC HITCH-WITH REMOTE CONTROL

Item	Part Number	Qty	Description	Comments
1	338980X1	4	Rivet	[A]
2	3580258M91	2	Plate	[A]
3	3582549M2	3	Spacer	
4	339136X1	3	Bolt	
5	3389593M1	1	Knob	
6	3581503M93	1	Plate	
7	3386514M1	2	Friction Disc	
8	3386515M1	1	Bearing	
9	3581466M93	1	Lever	
10	3387447M1	1	Washer	
11	3582412M1	1	Clevis Pin	
12	390972X1	1	Washer Metric	
13	394367X1	1	Locknut	Alternative 1441461X1
	1441461X1	1	Nut Metric	Alternative 394367X1
14	3619363M1	1	Hook Cable	Up to Serial or Engine Number B249007
	3619363M1	1	Hook Cable	From Serial or Engine Number B249008
15	3600190M1	1	Clevis Pin	(14) Length 28MM
15	3600191M1	1	Clevis Pin	(14) Length 40MM

[A]
WITHOUT AUTOMATIC HITCH

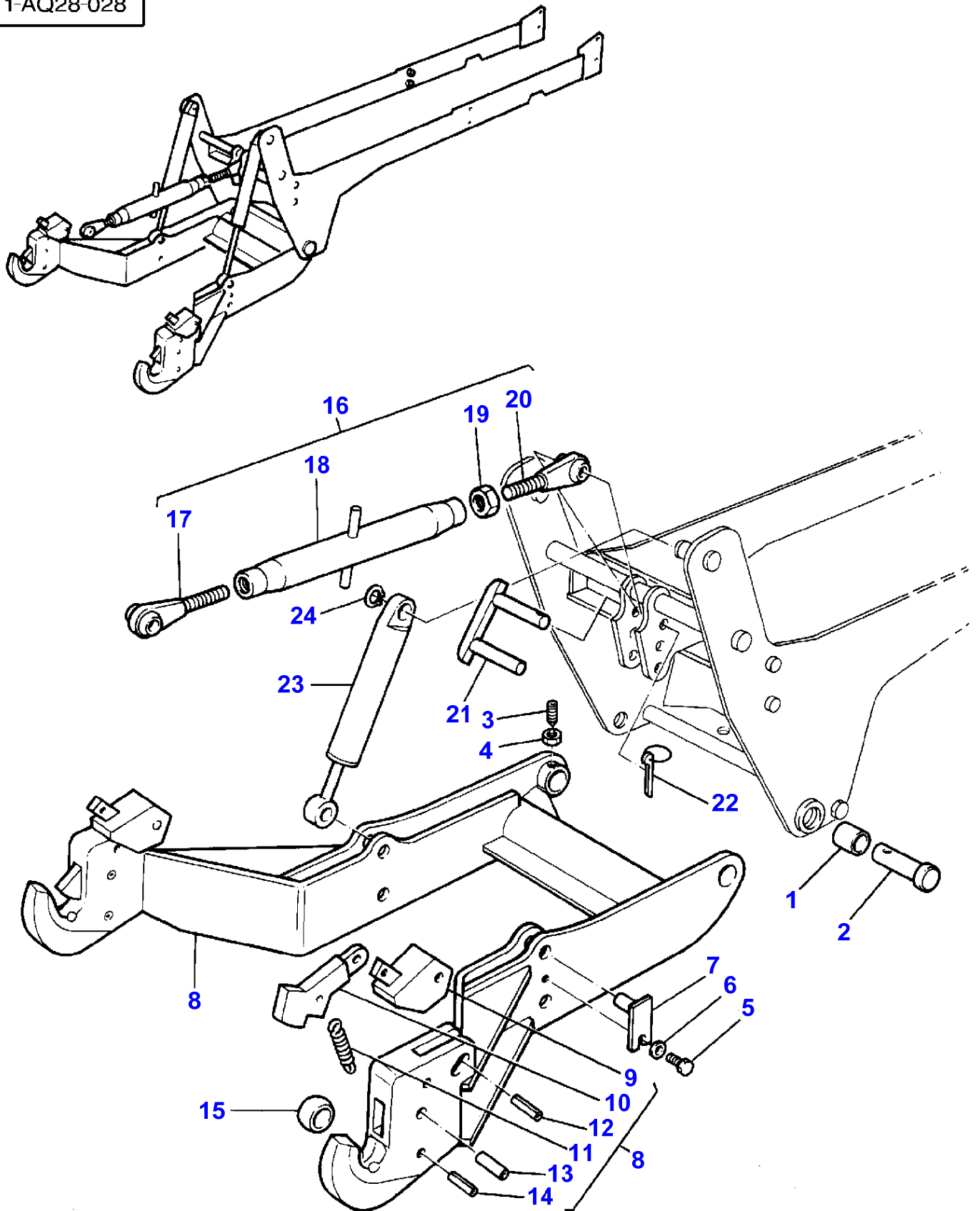
1-AQ28-029



FRONT LINKAGE - HEAVY DUTY - FRAME

Item	Part Number	Qty	Description	Comments
				HEAVY DUTY - FRAME
1	3617647M91	1	Hitch	
2		1	Support	Not serviced, order REF NO1
3		1	Support	Not serviced, order REF NO1
4	339123X1	3	Screw Metric	M8X20
5	339374X1	3	Lock Washer	
6	3465864M1	3	Clamp	
7	1444078X1	6	Bolt	M20X100
8	3465808M1	6	Washer	
9	3009747X1	6	Nut	
10	3902020M1	2	Bush	Thickness 8MM
11	3902021M1	2	Bush	Thickness 12MM
12	339586X1	2	Bolt Metric	M14X35
13	3902022M1	1	Support	
14	339380X1	2	Washer	
15	339079X1	2	Nut	
16	3902017M1	1	Support	Left Hand
	3902018M1	1	Support	Right Hand
17	1807192M1	4	Pin	
18	1426056M91	4	Pin	
19	3902015M1	2	Clevis	
20	3902027M1	2	Draglink	
21	3902028M1	2	Nut	M30
22	3902016M1	2	Clevis	
23	3581512M1	4	Clevis Pin	
24	339881X1	4	Bolt Metric	M16X60
25	339377X1	4	Lock Washer	
26	339034X1	4	Nut Metric	
27	3902013M1	1	Support	
28	3902014M1	1	Support	
29	3902023M1	1	Spacer	

1-AQ28-028

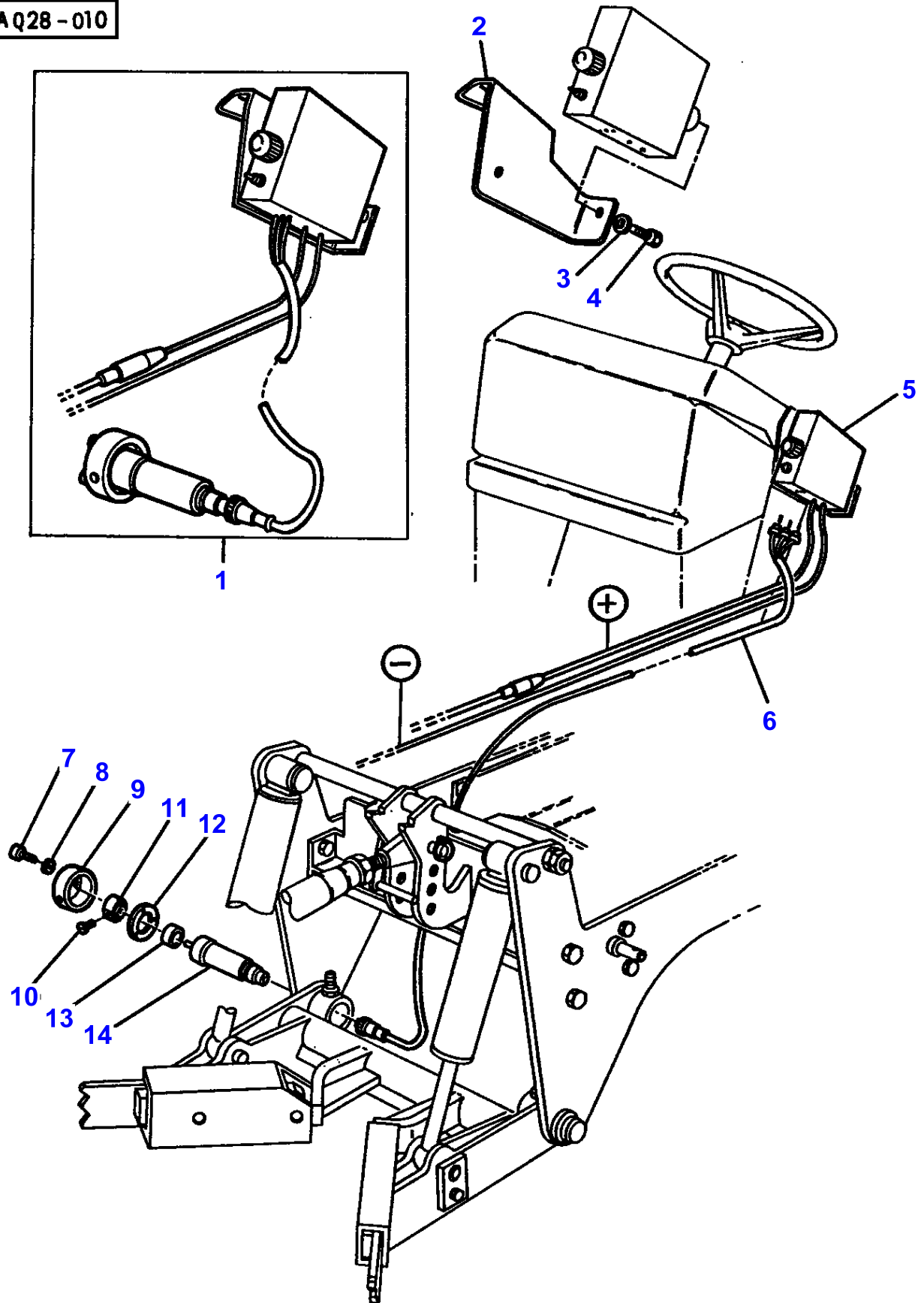


FRONT LINKAGE - HEAVY DUTY - LIFTING ARM

Item	Part Number	Qty	Description	Comments
				HEAVY DUTY - LIFTING ARM
1	3600149M1	2	Bush	3467980M1
2	3582113M1	2	Clevis Pin	[A]
3	3600138M1	2	Screw	M14X55
4	375100X1	2	Nut Unc	
5	339123X1	2	Screw Metric	M8X20
6	339374X1	2	Lock Washer	
7	3902019M1	2	Clevis Pin	
8	3900932M91	1	Arm	
9	3103830M1	2	Lever	(8)
10	3106461M1	2	Ratchet	(8)
11	3101934M1	2	Spring	(8)
12	339290X1	1	Pin	(8)
13	3008317X1	1	Pin	(8)
14	339783X1	1	Pin	(8)
15	3617877M1	2	Toggle	CAT 3/2
16	3902102M1	1	Top Link	
17		1	Toggle	(16) Not serviced, order REF 16
18		1	Body	(16) Not serviced, order REF 16
19		1	Nut	(16) Not serviced, order REF 16
20		1	Toggle	(16) Not serviced, order REF 16
21	3467976M1	1	Clevis Pin	
22	3465821M1	1	Clip	
23		2	Ram	See Page - Reference Number 218/2
24	3600146M1	2	Ring	

[A]
WITHOUT POSITION CONTROL

1 - AQ28 - 010



FRONT LINKAGE - POSITION CONTROL HEAVY DUTY

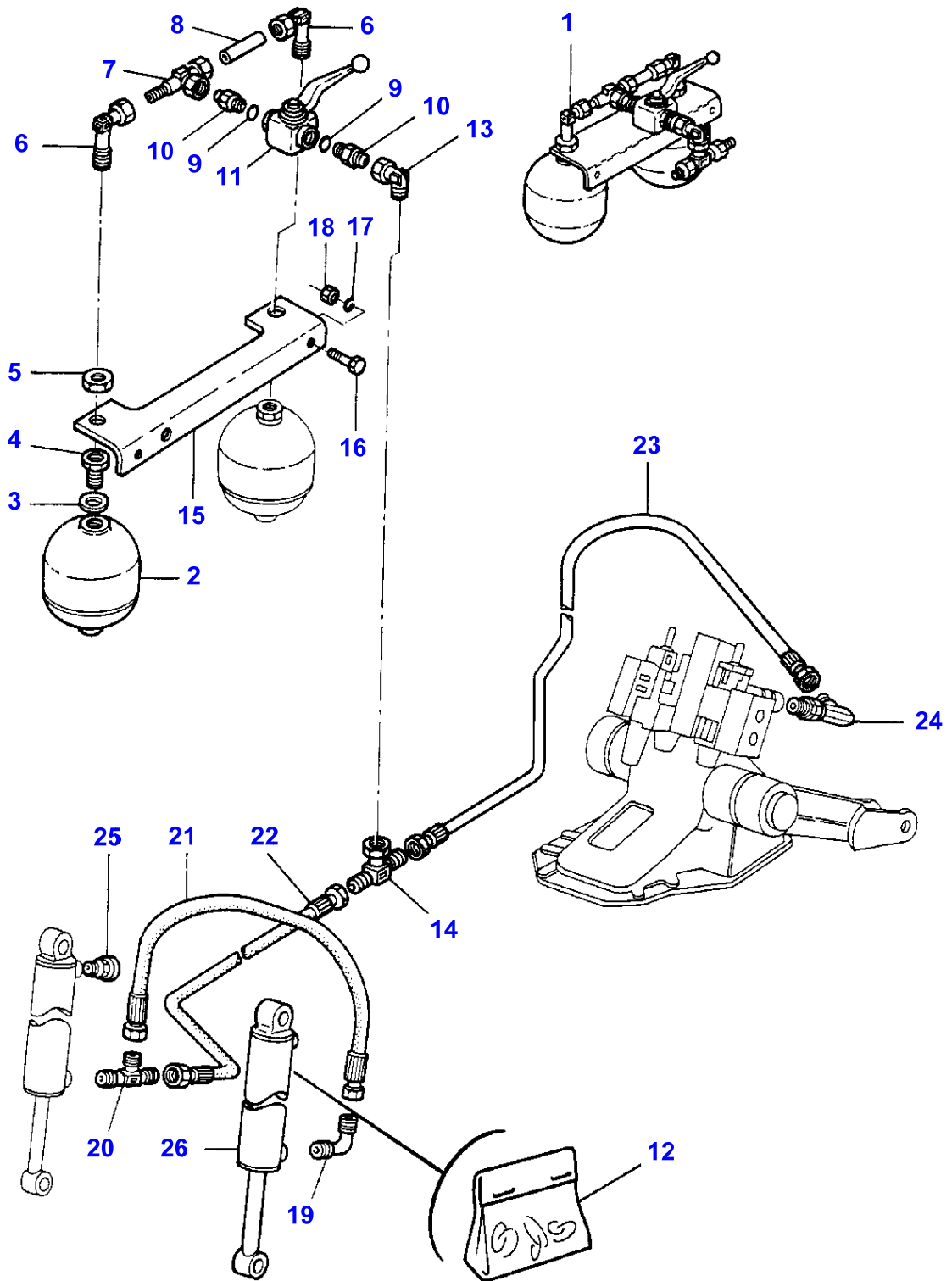
Item	Part Number	Qty	Description	Comments
				POSITION CONTROL HEAVY DUTY
1	3582242M91	1	Accessory Code	[C]
2	3600084M1	1	Support	
3	339374X1	1	Lock Washer	
4	339123X1	1	Screw Metric	
5	3467949M91	1	Case Assy	
6	3467950M1	1	Harness	
7	3009283X1	3	Screw	M6X30
8	339375X1	3	Lock Washer	
9	3600086M91	1	Bush	
10	3010003X1	1	Screw	M4X10
11	3600085M1	1	Bush	
12	3600088M1	1	Gasket	
13	3600149M1	1	Bush	
14	3582112M1	1	Clevis Pin	[A]

[A]
WITH POSITION CONTROL

[B]
MEDIUM DUTY LINKS

[C]
HEAVY DUTY LINKS

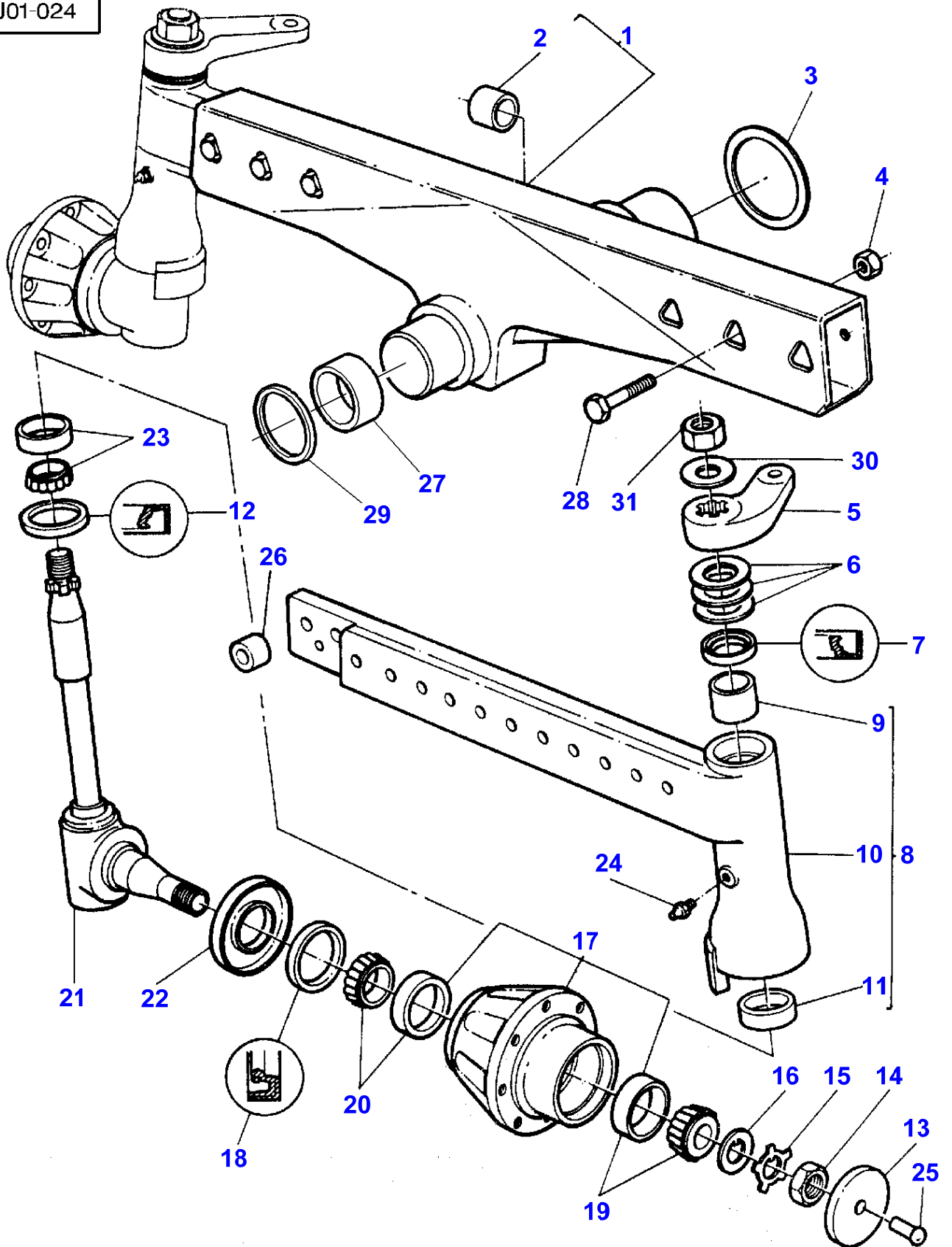
1-AQ28-027



FRONT LINKAGE - HEAVY DUTY - HYDRAULIC

Item	Part Number	Qty	Description	Comments
				HEAVY DUTY - HYDRAULIC
1	3582439M1	1	Kit, Accumulator	
2	3381107M1	2	Accumulator	(1)
3	3600066M1	2	Gasket	(1)
4	3600072M1	2	Adaptor	(1)
5	3465851M1	2	Nut	(1)
6	3465848M1	2	Union	(1)
7	3600073M1	1	Union	(1)
8	3465859M1	1	Tube	(1)
9	3600066M1	2	Gasket	(1)
10	3600074M1	2	Union	(1)
11	3900368M1	1	Cock	(1)
12	3600241M1	1	Kit, Joint	
13	3902012M1	1	Union	(1)
14	3600076M1	1	Union	(1)
15	3600064M1	1	Plate	(1)
16	339586X1	2	Bolt Metric	(1)
17	339380X1	2	Washer	(1)
18	339079X1	2	Nut	(1)
19	3465876M1	1	Union	
20	3465873M1	1	Union	
21	3600078M1	1	Hydr Hose	
22	3902010M1	1	Hydr Hose	
23	3902011M1	1	Hydr Hose	
24	3581439M1	1	Adaptor	
25	1717421M1	2	Filter	
26	3600080M91	2	Ram	

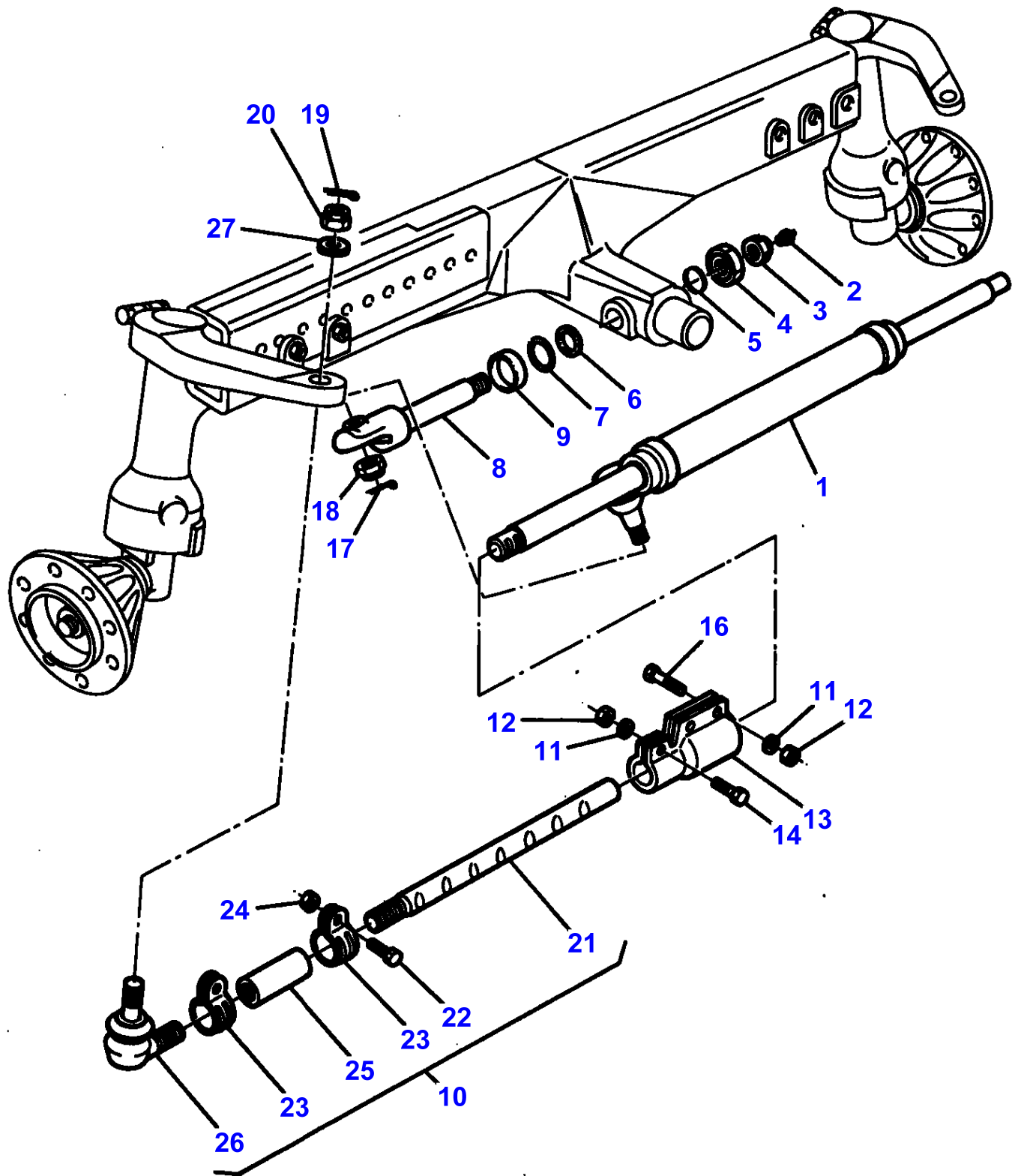
1-AJ01-024



FRONT AXLE - 8 HOLES

Item	Part Number	Qty	Description	Comments
				8 HOLES
1	3387899M13	1	Frame	3387899M93
2	3387842M1	2	Bush	(1)
3	3384098M2	1	Thrust Washer	Up to Serial or Engine Number D071069
	3712713M1	1	Thrust Washer	From Serial or Engine Number D072001
4	3010056X1	6	Nut	M22
5	3383989M1	1	Steering Arm	Left Hand
	3383990M1	1	Steering Arm	Right Hand
6	3619151M1	6	Cup Spring	Repairs and replaces 3321277M2
7	3715539M1	2	Gasket	
8	3615724M91	1	Arm	Left Hand
	3615726M91	1	Arm	Right Hand
9	3387137M1	1	Bush	(8)
10		1	Arm	(8)
				Not serviced, order REF NO 8
11		1	Race	(8)
				Not serviced, order REF NO 23
12	3384105M1	2	Gasket	
13	3581721M1	2	Plug	
14	3384126M1	2	Nut	
15	3387135M1	2	Washer	
16	3383999M1	2	Washer	
17	3387838M11	2	Impeller Hub	3387838M91
18	3384105M1	2	Gasket	
19	390876X1	1	Bearing Taper	
20	3000570X91	1	Bearing Assy	
21	3616003M91	2	Spindle	
22	3383996M1	1	Dust Shield	(21)
23	3010058X91	2	Bearing Taper	
24	339608X1	2	Grease Nipple	
25	391349X1	2	Rivet	
26	3387883M2	2	Spacer	
27	3712085M1	1	Bush	From Serial or Engine Number C328009
28	3384130M1	6	Screw	M22X90
29	3384097M1	1	Thrust Washer	Up to Serial or Engine Number C328008
	3712077M1	1	Washer	From Serial or Engine Number C328009
30	353766X1	2	Washer	
31	3384133M1	2	Nut	M33

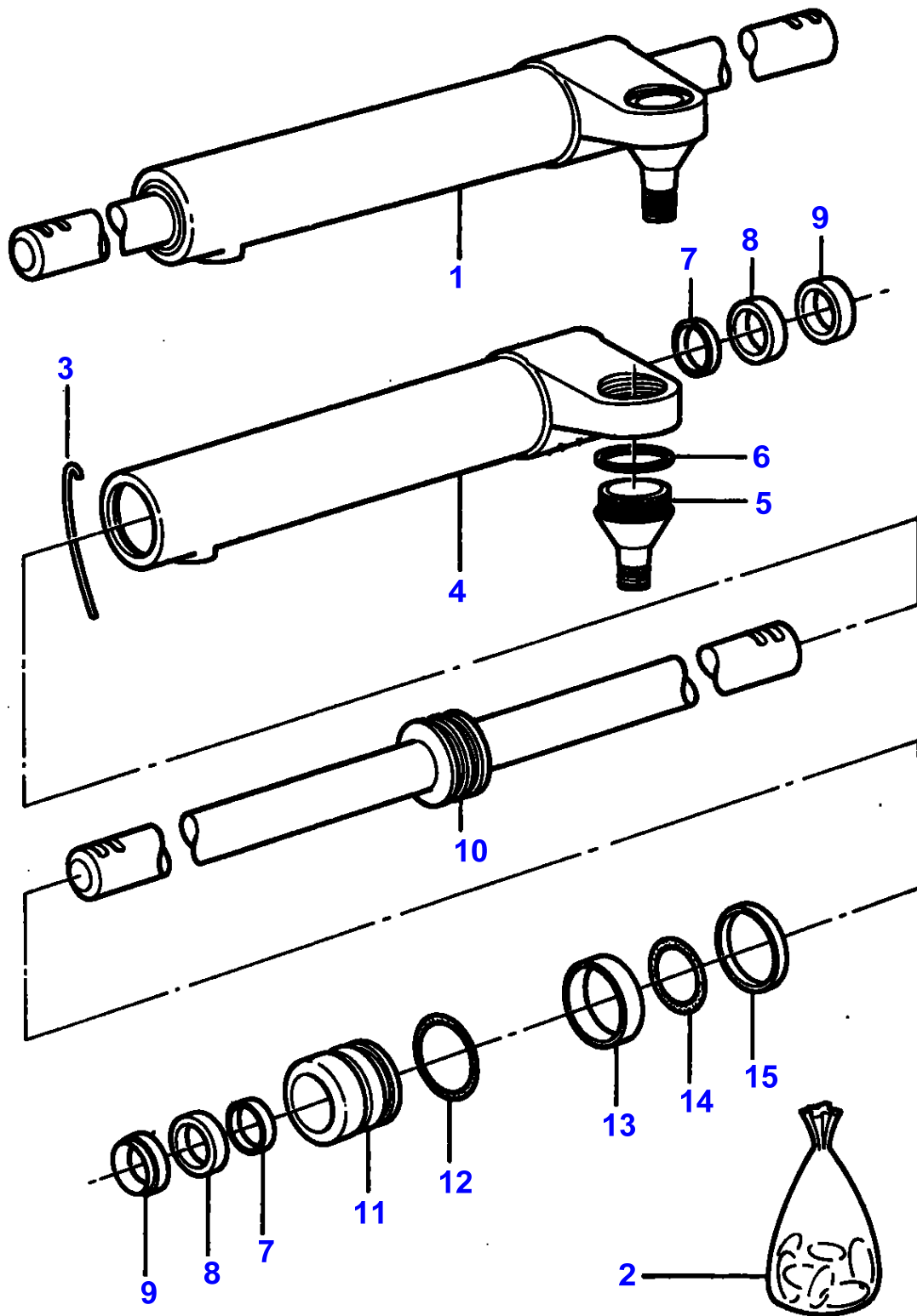
1-AJ01-003



FRONT AXLE

Item	Part Number	Qty	Description	Comments
1	3483098M92	1	Steering Cyl	PACOMA See Page - Reference Number 221/ Up to Serial or Engine Number A189033
1	3617723M1	X	Steering Cyl	SIMA See Page - Reference Number 222/ From Serial or Engine Number A189034
2	339608X1	1	Grease Nipple	
3	3387937M1	1	Top Locknut	
4	3387938M1	1	Nut	
5	359135X1	1	O Ring	
6	3387233M1	1	Thrust Washer	
7	1440848X1	1	O Ring	
8	3387843M2	1	Clevis Pin	
9	3388399M2	1	Dust Shield	
10	3389802M1	2	Steering Tie Rod	
11	339369X1	6	Lock Washer	
12	3009695X1	6	Nut Metric	M12
13	3387939M2	2	Extension	
14	3009512X1	2	Bolt Metric	M12X60
16	3009515X1	4	Bolt Metric	M12X80
17	391091X1	1	Pin	
18	3008868X1	1	Castle Nut	
19	1442966X1	1	Pin	(10)
20	3005888X1	1	Castle Nut	(10)
21	3104946M1	1	Stem	(10)
22	3104948M1	2	Screw	(10)
23	3104944M1	2	Clamp	(10)
24	1442921X1	2	Nut	(10)
25	3104947M1	1	Tube	(10)
26	3104945M1	1	Toggle	(10)
27	390974X1	2	Washer Metric	

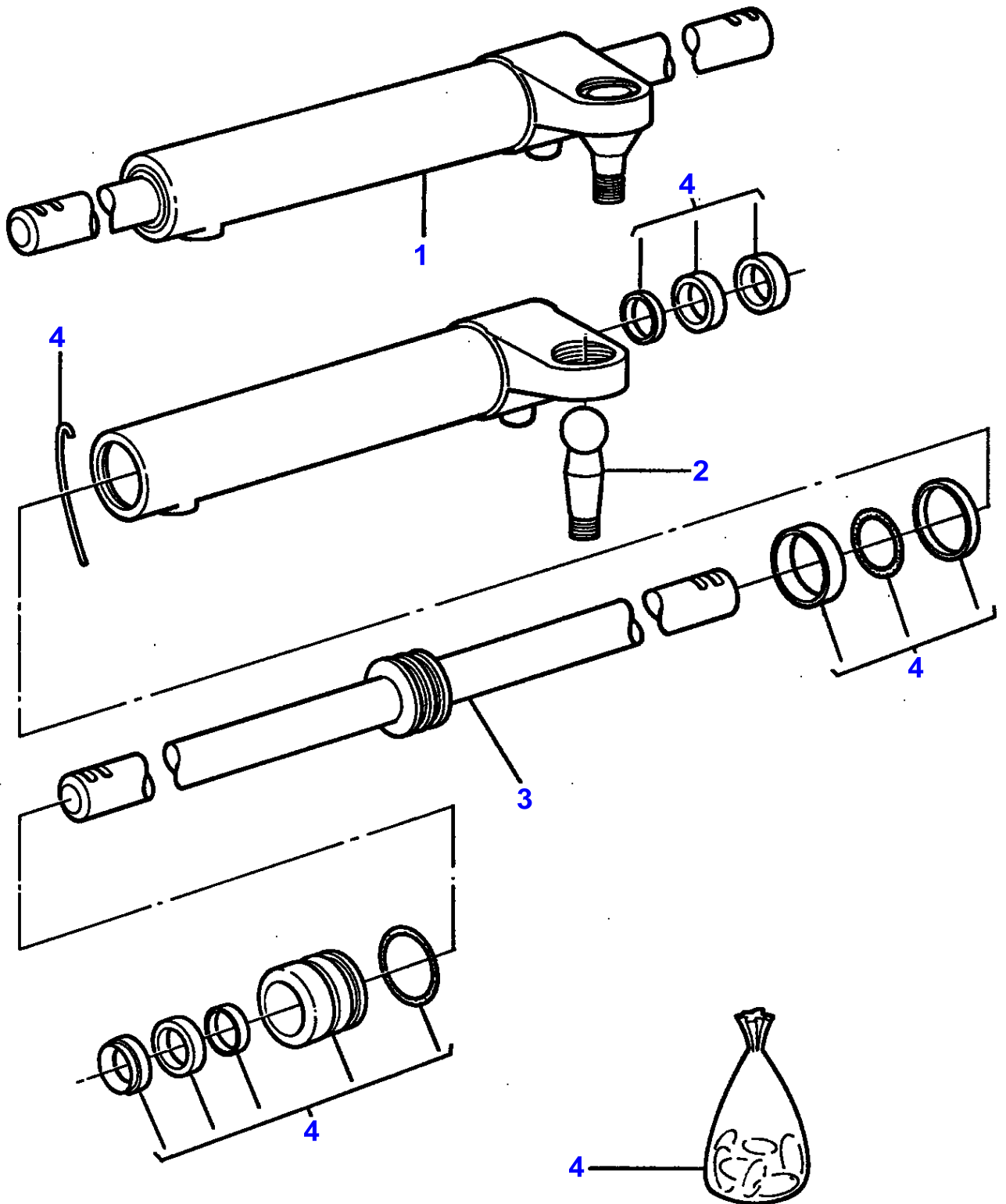
1 - AJ04 - 001



FRONT AXLE 2 WHEEL DRIVE-CYLINDERS

Item	Part Number	Qty	Description	Comments
1	3483098M92	1	Steering Cyl	PACOMA Diameter 68MM
2	3443433M93	X	Kit, Seal	
3	3443432M1	1	Snapring	(1)
4	3443703M92	1	Barrel	(1)
5	3443896M1	1	Ball Joint	(1)
6	3443901M1	1	Tab Washer	(1)
7	3443429M1	2	Ring	(2)
8	3443430M1	2	Seal	(2)
9	1606575M1	2	Wiper	(2)
10	3443707M91	1	Cylinder Rod	(1)
11	3443413M1	1	Bearing	(1)
12	1441521X1	1	Seal	(2)
13	3443428M1	1	Ring	(2)
14	338909X1	1	O Ring	(2)
15	3484804M1	1	Seal	(2)

1 - AJ04-002



MASSEY FERGUSON**MF 3690 TRACTOR - 1637223**

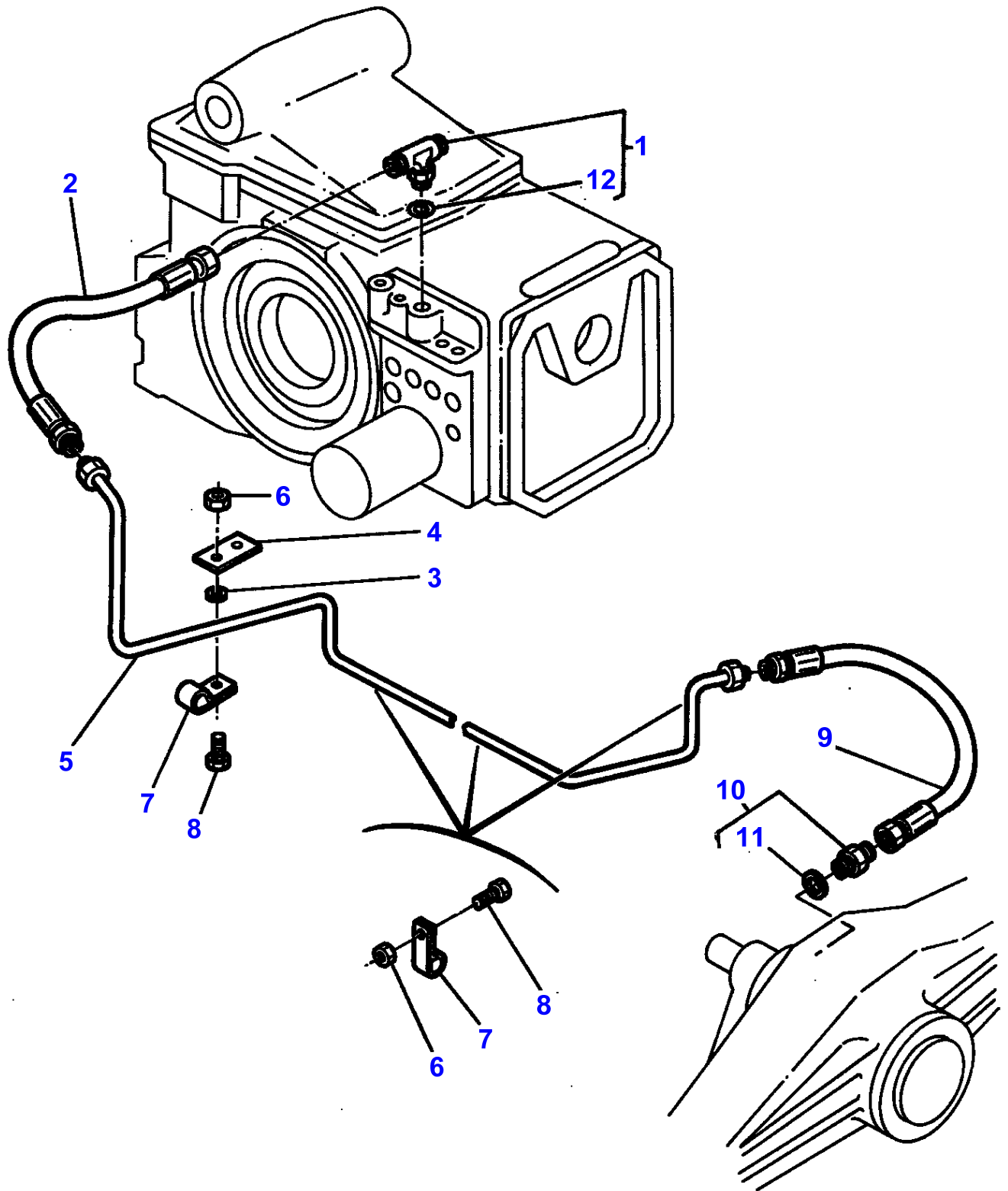
1637223

FRONT AXLE 2 WHEEL DRIVE-CYLINDERS

222

Item	Part Number	Qty	Description	Comments
1	3617723M1	1	Steering Cyl	SIMA Diameter 68MM
2	3900284M91	1	Toggle	(1)
3	3900286M91	1	Piston	(1)
4	3900287M91	1	Kit,Joint/Gasket	

1-AK12-005



MASSEY FERGUSON**MF 3690 TRACTOR - 1637223**

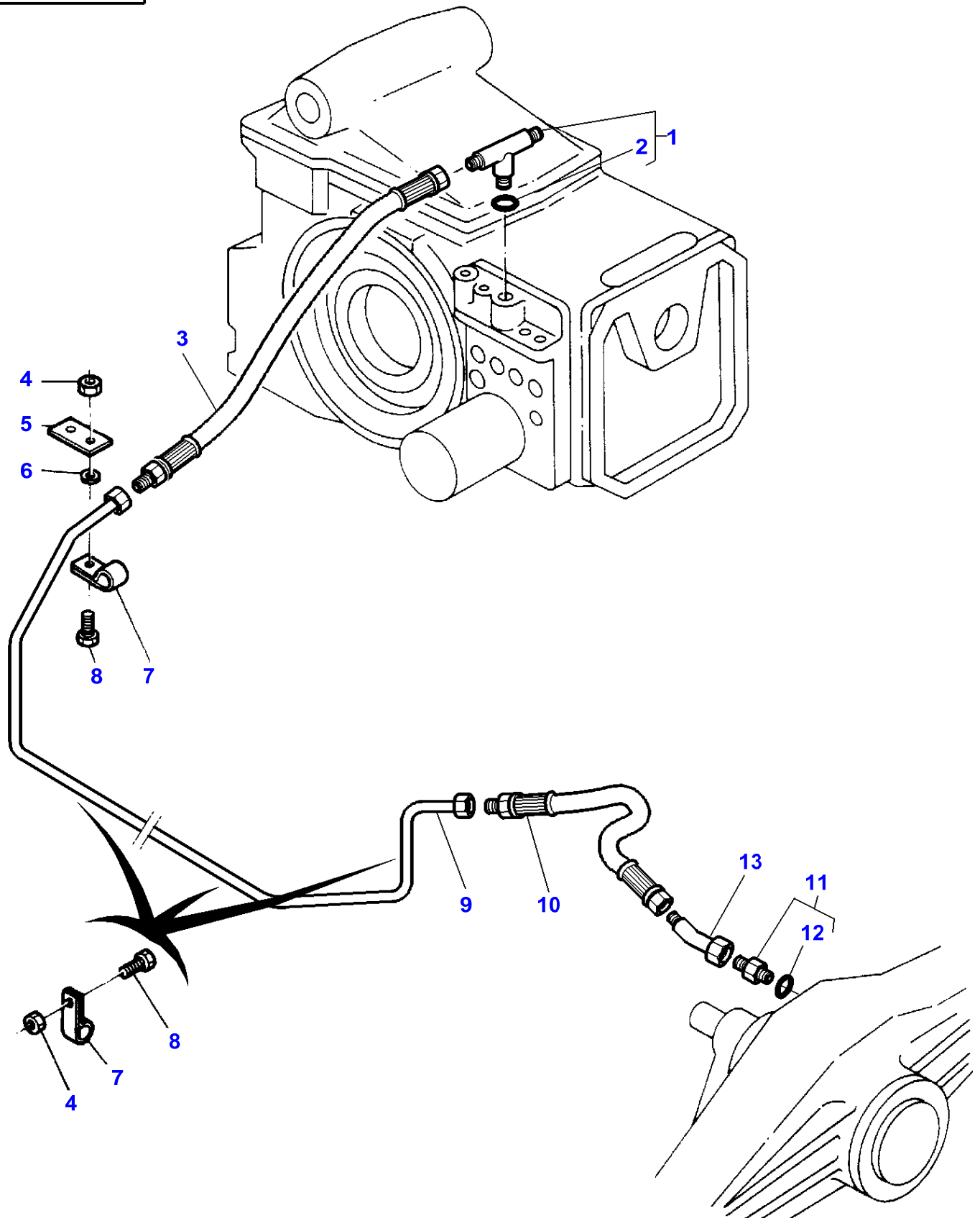
1637223

FRONT AXLE 4 WHEEL DRIVE-DIFFERENTIAL LOCK MECHANISM - UP TO NO C144022

223

Item	Part Number	Qty	Description	Comments
				UP TO NO C144022
1	3019609X91	1	Union	
2	3389702M1	1	Hydr Hose	
3	390735X1	1	Nut	
4	3389840M1	1	Strap	
5	3580750M92	1	Tube	
6	339030X1	4	Nut Metric	M6
7	3389841M1	4	Clamp	
8	339560X1	4	Screw Metric	M6
9	3389702M1	1	Hydr Hose	
10	3019700X91	1	Union	
11	3019394X1	1	O Ring	(10)
12	3019396X1	1	O Ring	(1)

1-AK12-008



MASSEY FERGUSON**MF 3690 TRACTOR - 1637223**

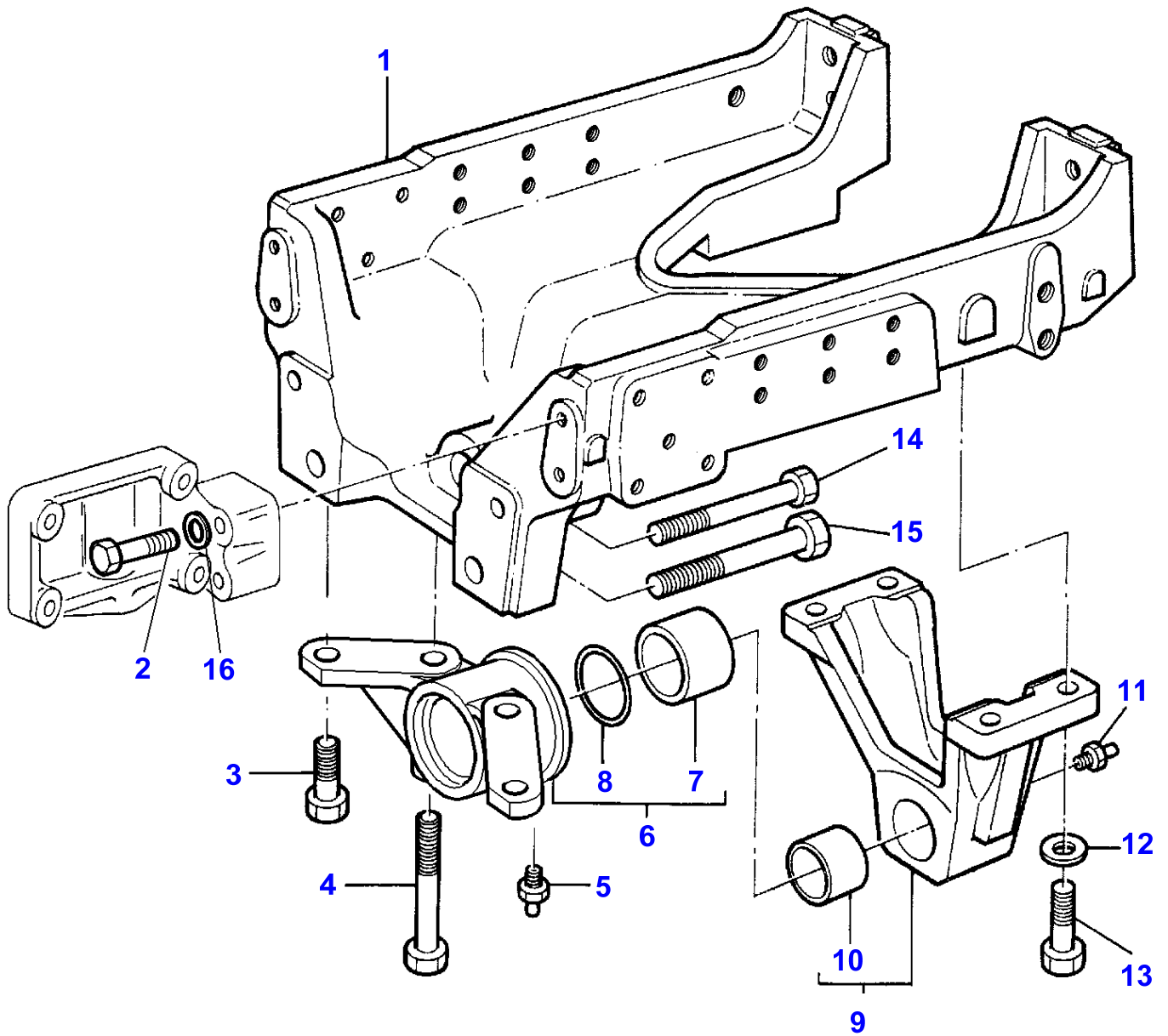
1637223

FRONT AXLE 4 WHEEL DRIVE-DIFFERENTIAL LOCK MECHANISM - FROM NO C144023

224

Item	Part Number	Qty	Description	Comments
				FROM NO C144023
1	3019609X91	1	Union	
2	3019396X1	1	O Ring	(1)
3	3712937M1	1	Hydr Hose	Length 720MM
4	339030X1	4	Nut Metric	M6
5	3389840M1	1	Strap	
6	390735X1	1	Nut	
7	3389841M1	4	Clamp	
8	339560X1	4	Screw Metric	M6X16
9	3712935M92	1	Tube	
10	3389702M1	1	Hydr Hose	
11	3019700X91	1	Union	
12	3019394X1	1	O Ring	(11)
13	366665X1	1	Elbow	

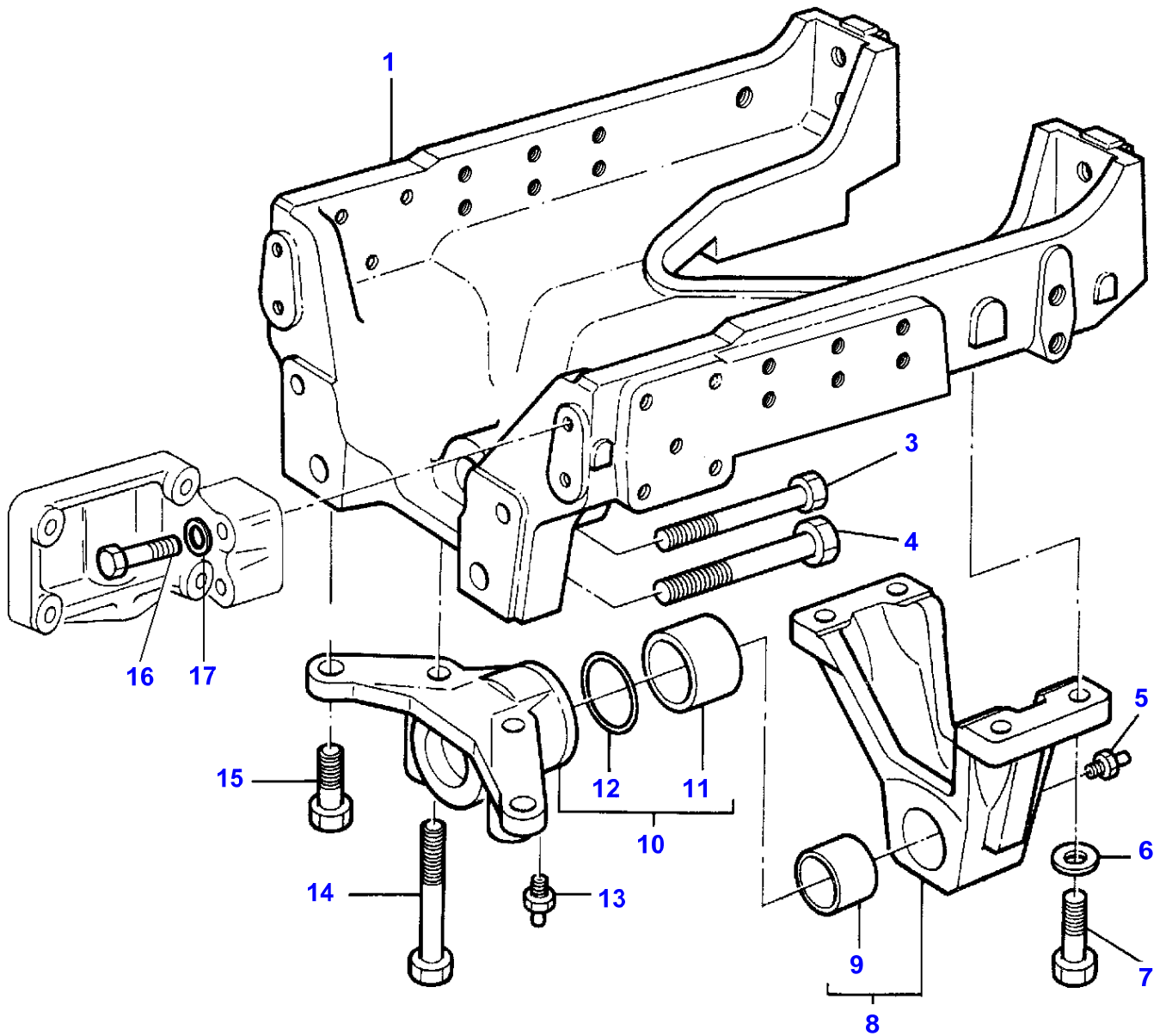
1-AJ03-005



FRONT AXLE 2 WHEEL DRIVE-AXLE SUPPORT

Item	Part Number	Qty	Description	Comments
1	3384096M9	1	Axle Holder	
2	3009806X1	4	Plough Bolt	M16X170
3	3384129M1	2	Screw	M20X55
4	3384132M1	2	Screw	M16X150
5	339608X1	1	Grease Nipple	
6	3384102M91	1	Axle Carrier	Up to Serial or Engine Number C328008
	3712153M11	1	Axle Carrier	From Serial or Engine Number C328009 Up to Serial or Engine Number D071069 3712153M91
6	3713956M11	1	Axle Carrier	From Serial or Engine Number D072001 3713956M91
7	3384093M1	1	Bearing	(6) Up to Serial or Engine Number C328008
7	3619073M1	1	Bearing	(6) From Serial or Engine Number C328009 Up to Serial or Engine Number D071069
7	3713930M1	1	Bush	(6) From Serial or Engine Number D072001
8	1441176X1	1	O Ring	(6) Up to Serial or Engine Number C328008
8	3009884X1	1	Gasket	(6) From Serial or Engine Number C328009 Up to Serial or Engine Number D071069
8	3713929M1	1	Gasket	(6) From Serial or Engine Number D072001
9	3384099M14	1	Bearing Carrier	Up to Serial or Engine Number C328008 3384099M94
9	3712093M11	1	Frame	From Serial or Engine Number C328009 3712093M91
10	3387822M1	1	Bearing	(9) Up to Serial or Engine Number C328008
10	3712078M1	1	Bearing	(9) From Serial or Engine Number C328009
11	339608X1	1	Grease Nipple	
12	385365X1	4	Washer	M20
13	3386216M1	4	Screw	M20X60
14	3389552M1	2	Screw	M20X155
15	3389553M1	2	Screw	M24X165
16	3019575X1	4	Washer Metric	From Serial or Engine Number B291025

1-AK06-007



MASSEY FERGUSON**MF 3690 TRACTOR - 1637223**

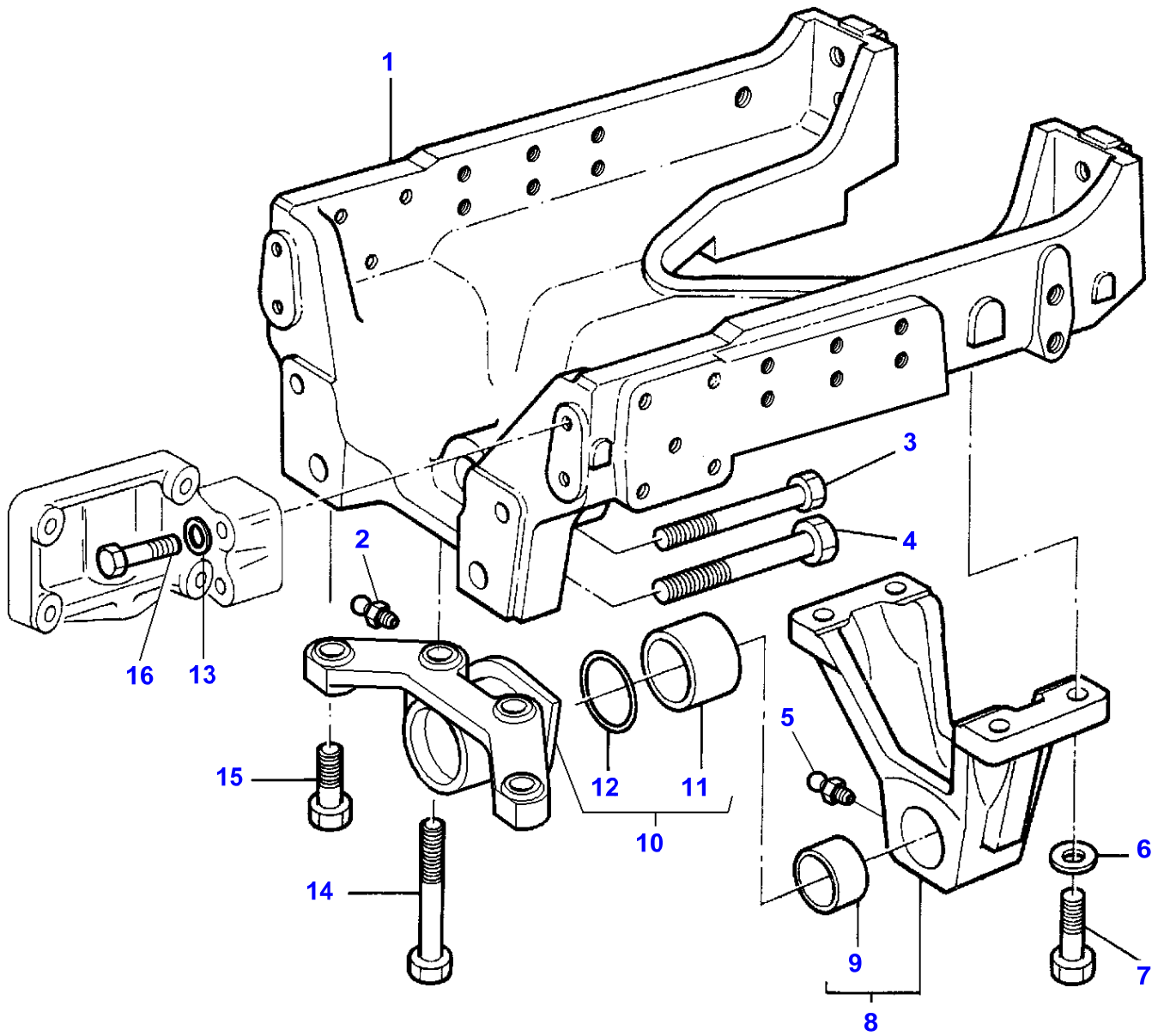
1637223

FRONT AXLE 4 WHEEL DRIVE-SUPPORT - UP TO NO C278014

226

Item	Part Number	Qty	Description	Comments
				UP TO NO C278014
1	3384096M9	1	Axle Holder	
3	3389552M1	2	Screw	M20X155
4	3389553M1	2	Screw	M24X165
5	339608X1	1	Grease Nipple	
6	385365X1	4	Washer	M20
7	3386216M1	4	Screw	M20X60
8	3386314M13	1	Bearing Carrier	3386314M93
9	3387823M1	1	Bearing	(8) Up to Serial or Engine Number C264034
9	3712078M1	1	Bearing	(8) From Serial or Engine Number C264035
10	3386316M91	1	Bearing Carrier	
11	3384406M1	1	Bearing	(10)
12	1440755X1	1	O Ring	(10)
13	339608X1	1	Grease Nipple	
14	3384267M1	2	Screw	M16X180
15	3384129M1	2	Screw	M20X55
16	3009806X1	4	Plough Bolt	M16X70
17	3019575X1	4	Washer Metric	From Serial or Engine Number B291025

1-AK06-008



MASSEY FERGUSON**MF 3690 TRACTOR - 1637223**

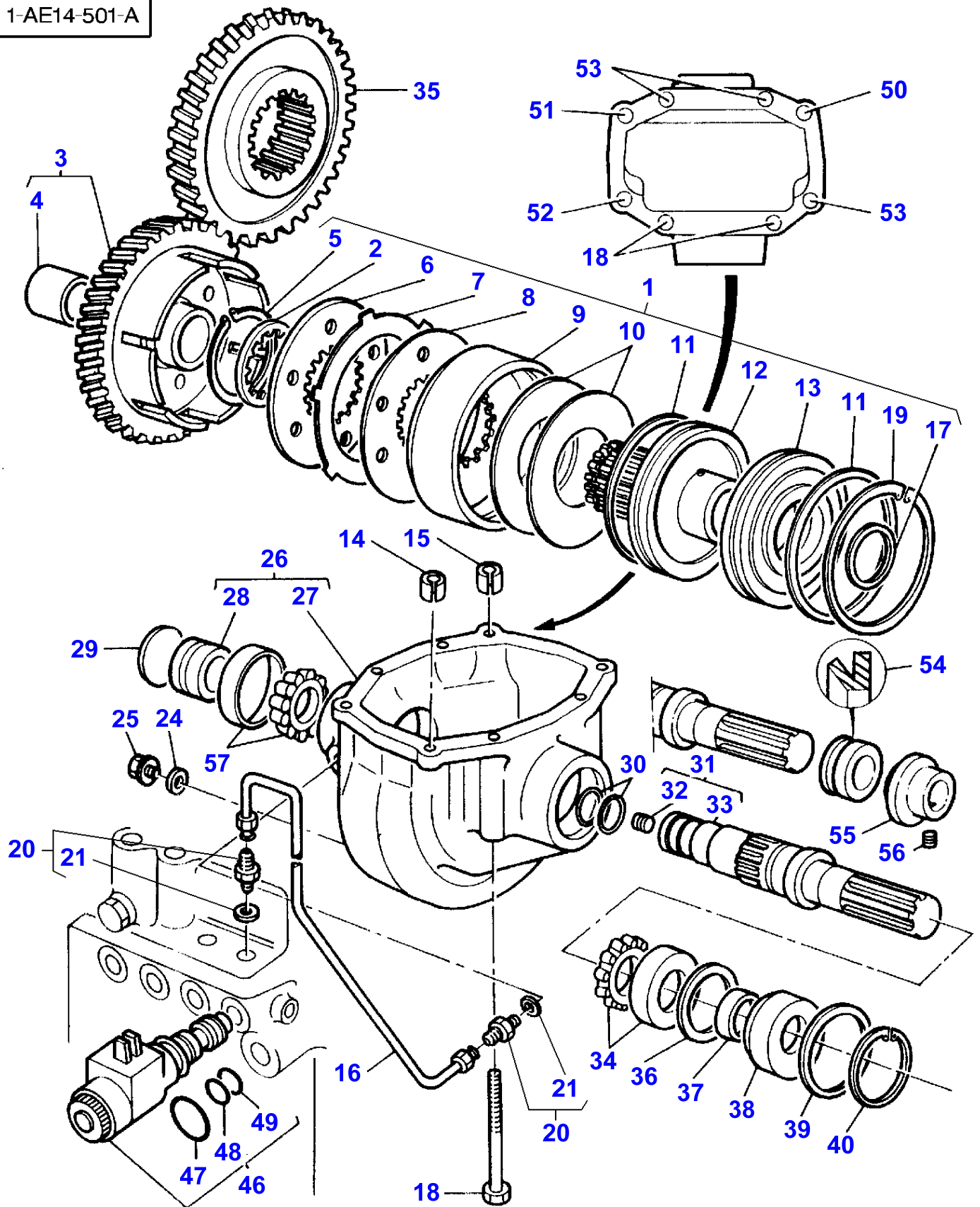
1637223

FRONT AXLE 4 WHEEL DRIVE-SUPPORT - FROM NO C278015

227

Item	Part Number	Qty	Description	Comments
				FROM NO C278015
1	3384096M9	1	Axle Holder	
2	339608X1	1	Grease Nipple	
3	3389552M1	2	Screw	M20X155
4	3389553M1	2	Screw	M24X165
5	339608X1	1	Grease Nipple	
6	385365X1	4	Washer	M20
7	3386216M1	4	Screw	M20X60
8	3386314M13	1	Bearing Carrier	3386314M93
9	3712078M1	1	Bearing	(8)
10	3712070M11	1	Bearing Carrier	3712070M91
11	3712072M1	1	Bush	(10)
12	3010428X1	1	Gasket	(10)
13	3019575X1	4	Washer Metric	
14	3384267M1	2	Screw	M16X180
15	3581527M1	2	Screw	M20X75
16	3009806X1	4	Plough Bolt	M16X70

1-AE14-501-A



TRANSFER GEAR BOX-4 WHEEL DRIVE

Item	Part Number	Qty	Description	Comments
1	3583654M15	1	Clutch	[G] 3583654M95
2	3387180M1	X	Chock	(1) Up to Serial or Engine Number B167002 Thickness 2MM
2	3619255M1	X	Chock	[B] (1) From Serial or Engine Number B167003 Thickness 2MM Up to Serial or Engine Number D328050
2	3713553M1	X	Chock	[B] (1) Thickness 1,4 MM From Serial or Engine Number D328051
2	3387181M1	X	Chock	(1) Up to Serial or Engine Number B167002 Thickness 2,3MM
2	3619254M1	X	Chock	[B] (1) From Serial or Engine Number B167003 Thickness 2,3MM Up to Serial or Engine Number D328050
2	3713554M1	X	Chock	[B] (1) Thickness 1,7 MM From Serial or Engine Number D328051
2	3387182M1	X	Chock	(1) Thickness 0,6MM
2	3033343M1	X	Shim	(1) Thickness 0,8MM
3	3615664M91	1	Pinion	Number of teeth/spines 47
4	3387727M1	1	Bush	(3)
5	1440533X1	1	Circlip	(1)
6	3583586M2	1	Tray	(1)
7	3616400M2	6	Disc	(1)
8	3384488M1	5	Tray	(1)
9	3384414M2	1	Housing	(1)
10	3619147M1	2	Cup Spring	(1) Repairs and replaces 3384500M1
11	3384524M1	2	O Ring	(1)
12	3583585M1	1	Hub	(1)
13	3384427M1	1	Cover	(1)
14	3000705X1	1	Pin	
15	953767M1	1	Bush	
16	3386933M93	1	Tube	
17	3384523M1	1	O Ring	(1)
18	357263X1	2	Screw	Length 181MM
19	1441403X1	1	Circlip	(1)
20	3019379X91	2	Union	
21	3019395X1	1	O Ring	(20)
24	180474M1	1	Gasket	
25	3429400M1	1	Plug	Repairs and replaces 884691M2
26	3385794M13	1	Case Assy	3385794M93
27		1	Case Assy	(26) Not serviced, order REF 26
28	3382868M1	1	Bush	(26)
29	390238X1	1	Plug	
30	3382874M1	2	Segment	
31	3385817M12	1	Shaft	3385817M92
32	356039X1	1	Plug	(31) 365332X1
33		1	Shaft	(31) Not serviced, order REF 31
34	339481X1	1	Bearing Taper	
35	3615823M1	1	Pinion	Number of teeth/spines 48
36	3386061M1	X	Shim	Thickness 0,5MM
	3386062M1	X	Shim	Thickness 0,1MM
	3387129M1	X	Shim	Thickness 0,3MM
37	3384503M1	1	Seal	
38	3384499M1	1	Cap	
39	1009659M1	1	O Ring	
40	1440913X1	1	Segment	
46		1	Electrovalve	Four Wheel Drive See Page - Reference Number 351/2

TRANSFER GEAR BOX-4 WHEEL DRIVE

Item	Part Number	Qty	Description	Comments
47	1852568M1	1	O Ring	(46)
48	3104855M1	1	O Ring	(46)
49	3104856M1	1	O Ring	(46)
50	3386071M1	1	Screw	Diameter 1/2" Length 196MM
51	357041X1	1	Screw	Diameter 1/2" Length 171MM
52	832566M1	1	Screw	Diameter 1/2" Length 38MM
52	354280X1	1	Bolt Unc	Diameter 1/2" Length 51MM
53	354276X1	3	Screw Unc	Diameter 1/2" Length 32MM
54	3580992M1	1	Gasket	[A]
55	3581003M1	1	Protector	[A]
56	3009412X1	1	Grub Screw	[A]
57	339481X1	1	Bearing Taper	

[A]
RICELAND

[B]
FLUTED VERSION

[C]
SPAIN

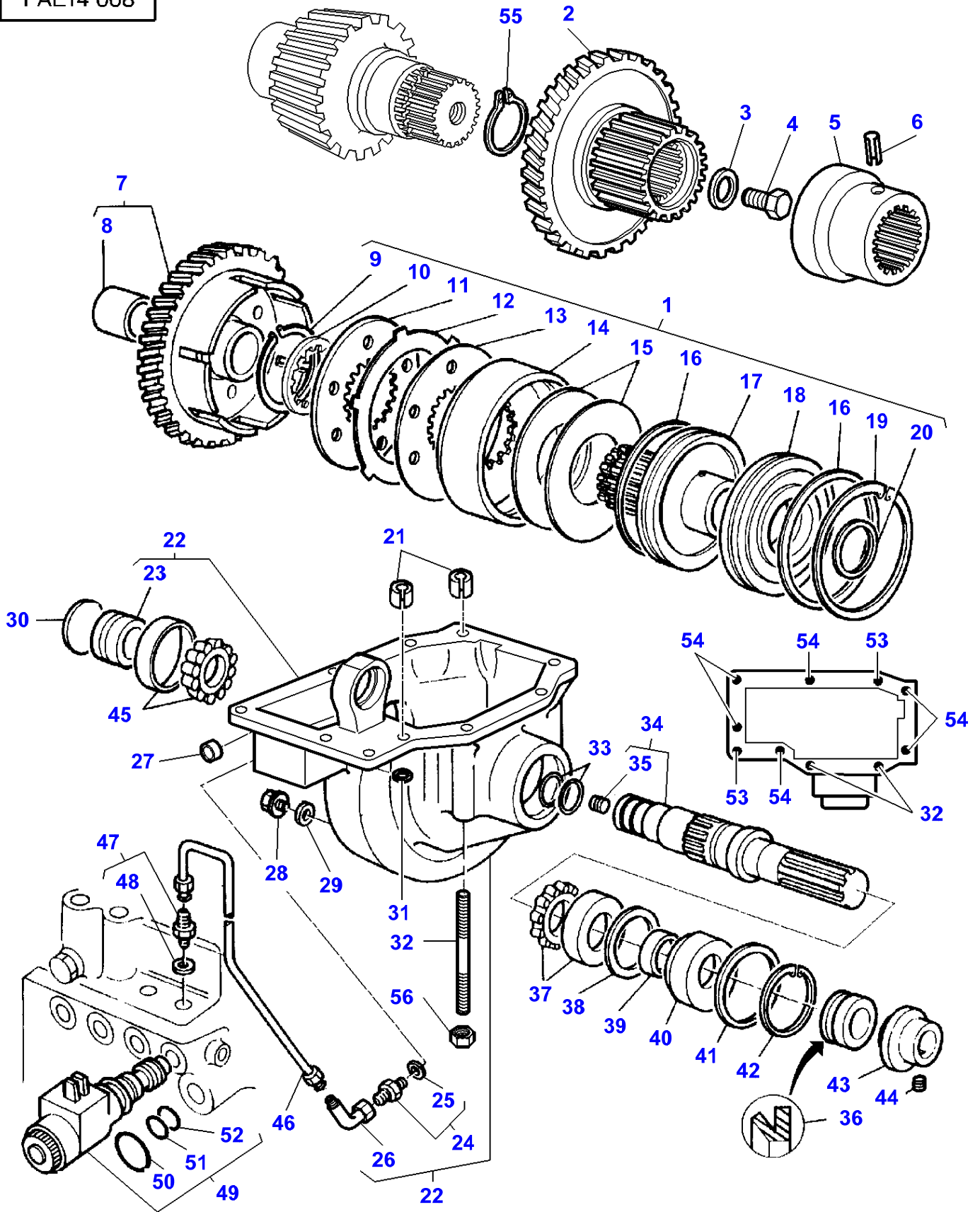
[D]
PORTUGAL ONLY

[E]
FOR ITALY ONLY

[F]
CLUTCH 5 DISCS

[G]
CLUTCH 6 DISCS

1-AE14-008

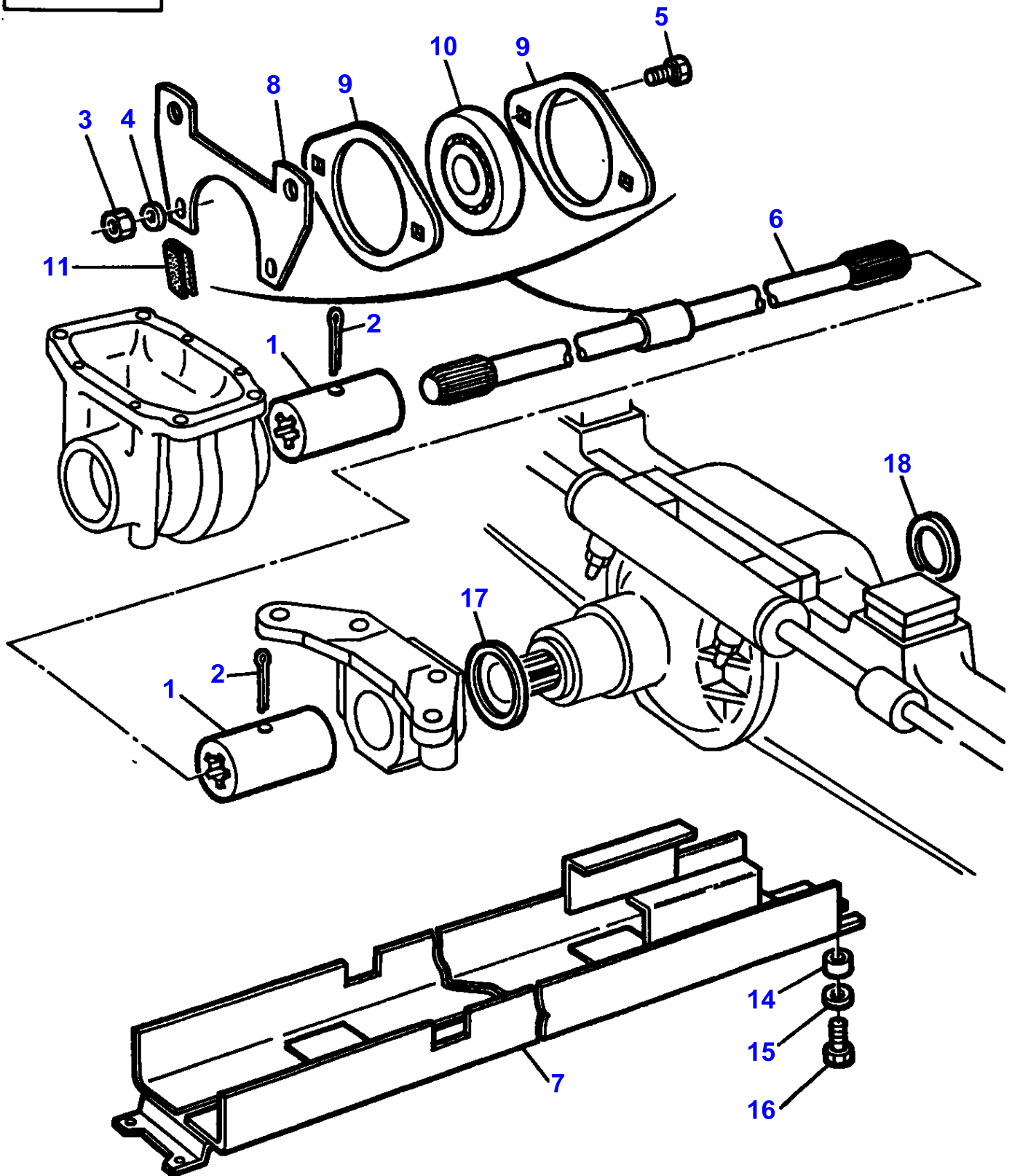


Item	Part Number	Qty	Description	Comments
				WITH HEAVY DUTY TRANSMISSION
1	3583654M15	1	Clutch	[E] 3583654M95
2	3618412M1	1	Pinion	Number of teeth/spines 48
	3712758M1	1	Pinion	[C] Number of teeth/spines 46
3	3618971M2	1	Washer	
4	3010492X1	1	Screw	M12X30
	3010010X1	1	Screw	M12X40
5	3618419M2	1	Sleeve	
6	339194X1	1	Pin	Diameter 8MM Length 60MM
7	3615664M91	1	Pinion	Number of teeth/spines 47
	3712756M91	1	Pinion	[C] Number of teeth/spines 48
8	3387727M1	1	Bush	(7)
9	1440533X1	1	Circlip	(1)
10	3619255M1	X	Chock	[B] (1) Thickness 2MM Up to Serial or Engine Number D328050
10	3619254M1	X	Chock	[B] (1) Thickness 2,3MM Up to Serial or Engine Number D328050
10	3713553M1	X	Chock	[B] (1) Thickness 1,4 MM From Serial or Engine Number D328051
10	3713554M1	X	Chock	[B] (1) Thickness 1,7 MM From Serial or Engine Number D328051
10	3387182M1	X	Chock	[B] (1) Thickness 0,6MM
10	3033343M1	X	Shim	[B] (1) Thickness 0,8MM
11	3583586M2	1	Tray	[E] (1)
12	3616400M2	6	Disc	[E] (1)
13	3384488M1	5	Tray	[E] (1)
14	3384414M2	1	Housing	(1)
15	3619147M1	2	Cup Spring	(1)
16	3384524M1	2	O Ring	(1)
17	3583585M1	1	Hub	(1)
18	3384427M1	1	Cover	(1)
19	1441403X1	1	Circlip	(1)
20	3384523M1	1	O Ring	(1)
21	3000705X1	2	Pin	
22	3618420M14	1	Case Assy	3618420M94
23	3382868M1	1	Bush	(22)
24	3019379X91	1	Union	(22)
25	3019395X1	1	O Ring	(24)
26	373783X1	1	Elbow	(22)
27	391563X1	1	Plug	Diameter 16MM
28	3429400M1	1	Plug	Repairs and replaces 884691M2
29	180474M1	1	Gasket	
30	390238X1	1	Plug	
31	385363X1	2	Washer	Diameter 12MM
32	3010530X1	2	Stud	M12X165 Repairs and replaces 3010439X1
33	3382874M1	2	Segment	
34	3385817M12	1	Shaft	3385817M92
35	356039X1	1	Plug	(34) 365332X1
36	3580992M1	1	Gasket	[A]
37	339481X1	1	Bearing Taper	
38	3386061M1	X	Shim	Thickness 0,5MM
	3386062M1	X	Shim	Thickness 0,1MM
	3387129M1	X	Shim	Thickness 0,3MM
39	3384503M1	1	Seal	
40	3384499M1	1	Cap	
41	1009659M1	1	O Ring	
42	1440913X1	1	Segment	

TRANSFER GEAR BOX-4 WHEEL DRIVE - WITH HEAVY DUTY TRANSMISSION

Item	Part Number	Qty	Description	Comments
43	3581003M1	1	Protector	[A]
44	3009412X1	1	Grub Screw	[A]
45	339481X1	1	Bearing Taper	
46	3712839M1	1	Tube	
47	3019379X91	1	Union	
48	3019395X1	1	O Ring	(47)
49		1	Electrovalve	See Page - Reference Number 351/1
50	1852568M1	1	O Ring	(49)
51	3104855M1	1	O Ring	(49)
52	3104856M1	1	O Ring	(49)
53	3010532X1	2	Screw	M12X40 Repairs and replaces 3009790X1
54	354276X1	7	Screw Unc	Diameter 1/2" Length 32MM
54	3010531X1	6	Screw	[F] M12X30 Repairs and replaces 3009788X1
55	339678X1	1	Segment	
56	3019862X1	2	Nut Metric	Repairs and replaces 3010439X1
				[A] RICELAND
				[B] FLUTED VERSION
				[C] FOR CHASSIS U.S.A
				[D] CLUTCH 5 DISCS
				[E] CLUTCH 6 DISCS
				[F] TRANSFER GEAR BOX 4 WHEELS DRIVE UNDER THE REAR AX LE

1-AK11-003



MASSEY FERGUSON**MF 3690 TRACTOR - 1637223**

1637223

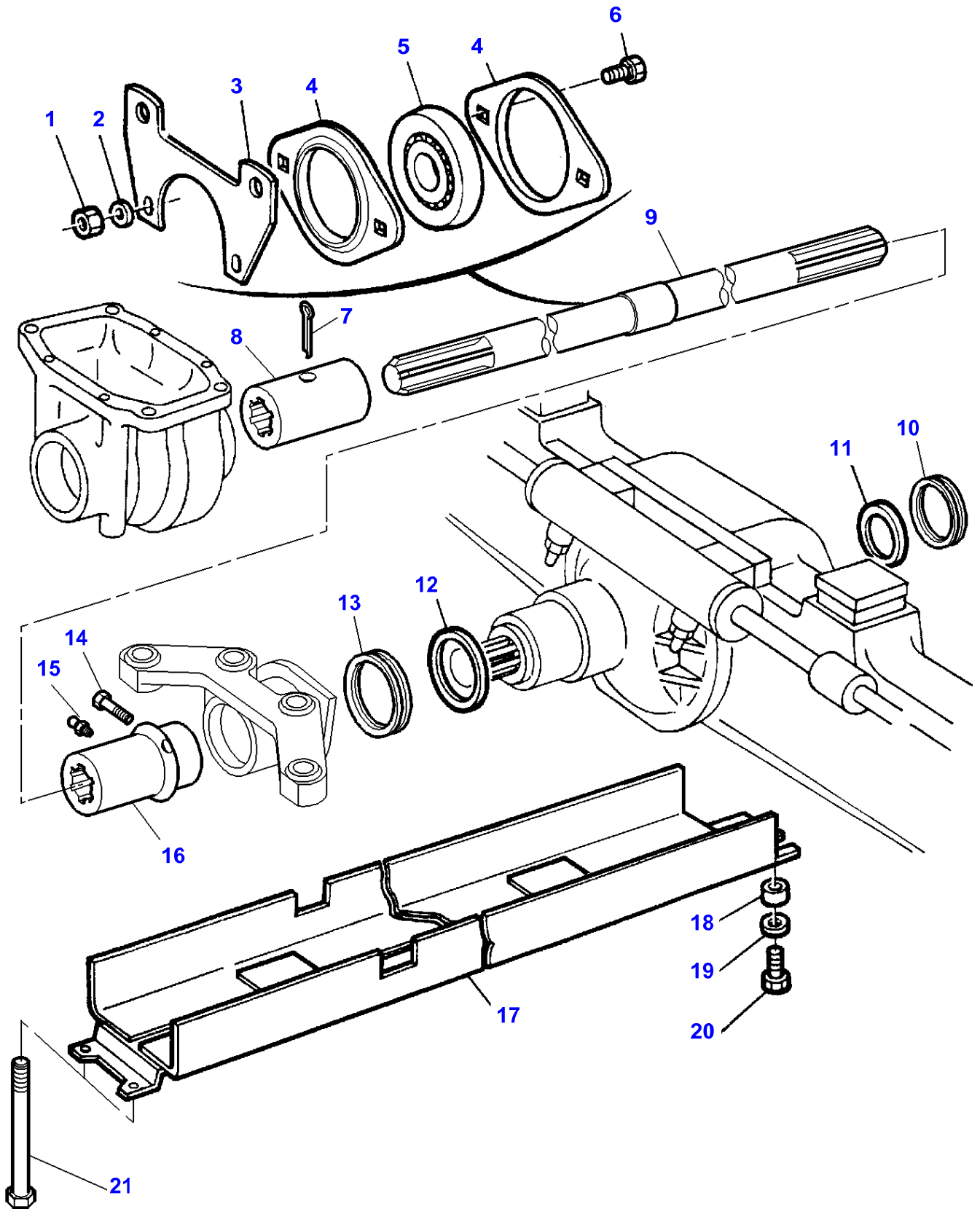
GUARD AND TRANSMISSION SHAFT - UP TO NO C278014

230

Item	Part Number	Qty	Description	Comments
				UP TO NO C278014
1	3380056M2	2	Sleeve	
2	354416X1	2	Pin	
3	339402X1	2	Nut Metric	Diameter M10
4	385362X1	2	Washer Metric	
5	3009493X1	2	Screw Metric	M10X30MM
6	3580751M2	1	Shaft	Length 1706MM
	3618953M2	1	Shaft	[A] Length 1989MM
7	3580754M91	1	Cowl	Length 1852MM
	3618962M92	1	Cowl	[A] Length 2138MM
8	3580753M91	1	Support	
	3712871M1	1	Support	[A]
9	3386986M1	2	Bearing Carrier	
	3712872M1	2	Bearing Carrier	[A]
10	3386985M1	1	Bearing Assy	
	3712873M1	1	Bearing Assy	[A]
11	1684845M1	1	Gasket	Length 60MM
14	3042637M2	2	Spacer	
15	390597X1	2	Washer Metric	
16	392054X1	2	Screw	M10X22MM
17	3386337M1	1	Chock	
18	3386336M1	1	Chock	

[A]
WITH HEAVY DUTY TRANSMISSION

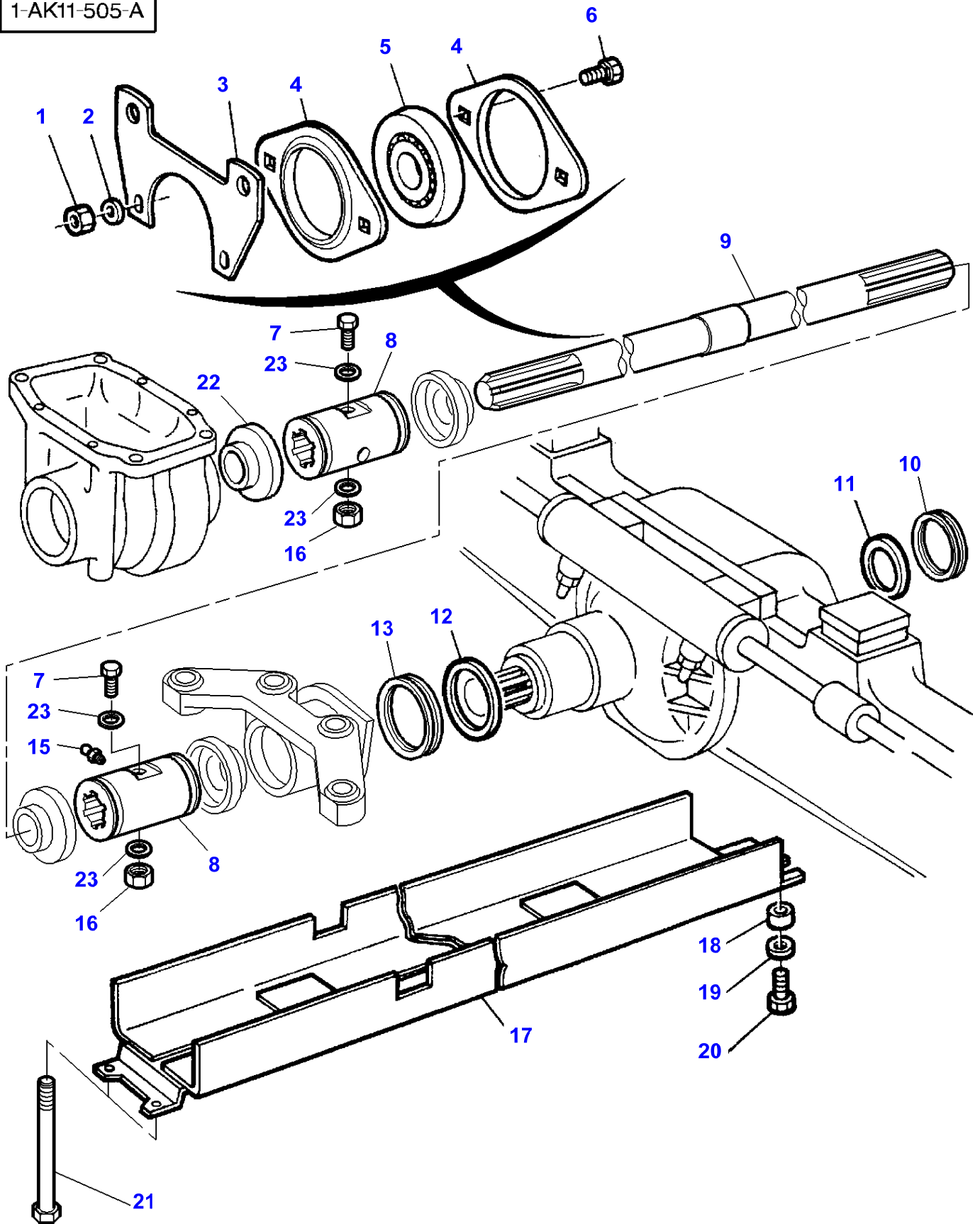
1-AK11-005



GUARD AND TRANSMISSION SHAFT - FROM NO C278015 UP TO NO D163034

Item	Part Number	Qty	Description	Comments
				FROM NO C278015 UP TO NO D163034
1	339402X1	2	Nut Metric	
2	385362X1	2	Washer Metric	
3	3712871M1	1	Support	[A]
	3580753M91	1	Support	[B]
4	3712872M1	2	Bearing Carrier	[A]
	3386986M1	2	Bearing Carrier	[B]
5	3712873M1	1	Bearing Assy	[A]
	3386985M1	1	Bearing Assy	[B]
6	3009493X1	2	Screw Metric	M10X30
7	354416X1	1	Pin	
8	3380056M2	1	Sleeve	
9	3618953M2	1	Shaft	[A] Length 1989MM
9	3580751M2	1	Shaft	[B] Length 1852MM
10	3712074M1	1	Gasket	
11	3712077M1	1	Washer	
12	3712076M1	1	Bush	
13	3712073M1	1	Gasket	
14	1440353X1	1	Screw Metric	M12X35
15	339608X1	1	Grease Nipple	
16	3712470M1	1	Sleeve	
17	3712089M91	1	Cowl	[A]
	3712090M91	1	Cowl	[B]
18	3042637M2	2	Spacer	
19	390597X1	2	Washer Metric	
20	392054X1	2	Screw	M10X22
21	357263X1	2	Screw	[B] Length 181MM See Page - Reference Number 229/3
				[A] WITH HEAVY DUTY TRANSMISSION
				[B] WITH NORMAL DUTY TRANSMISSION
				[C] AUSTRIA

1-AK11-505-A



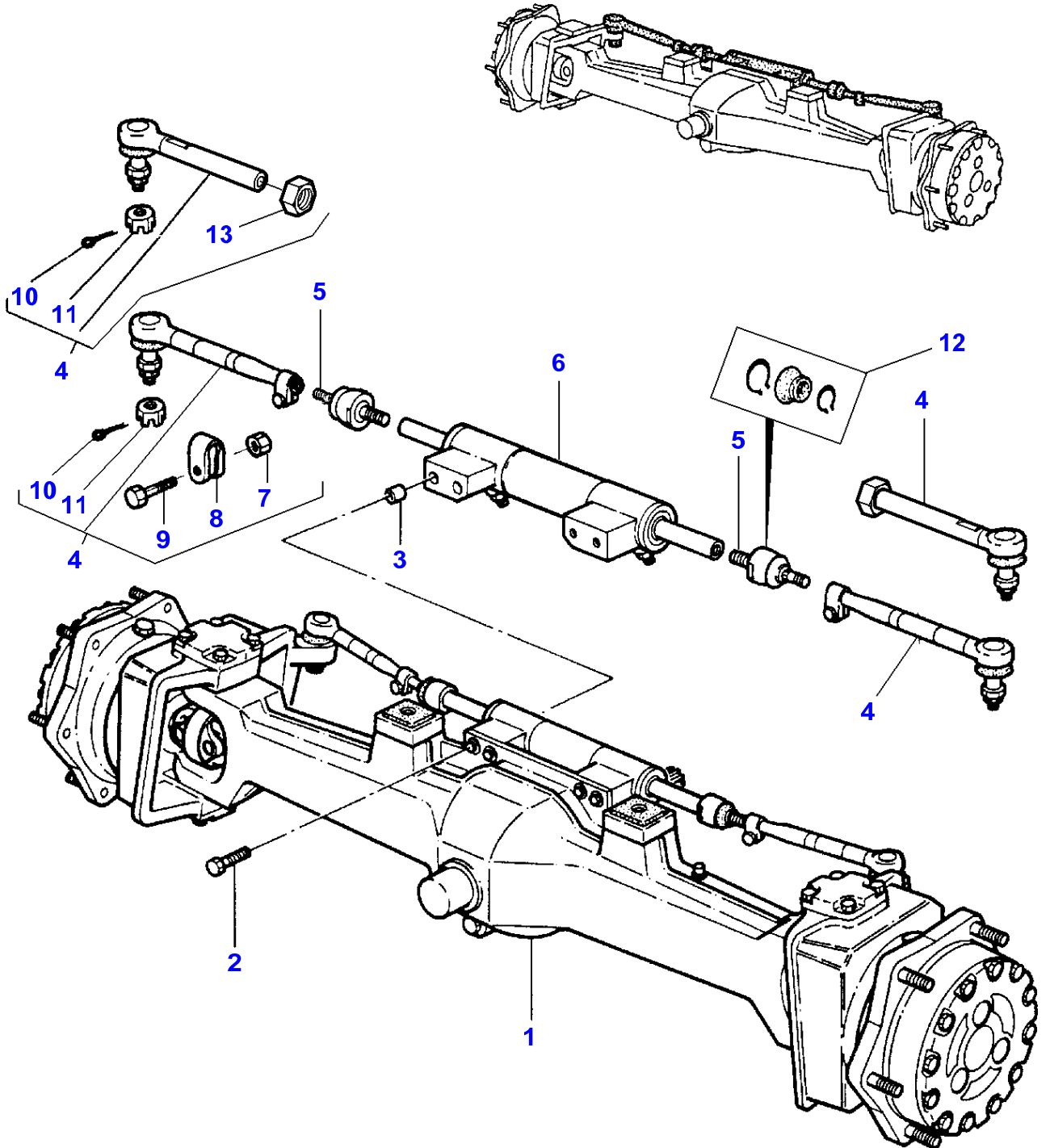
GUARD AND TRANSMISSION SHAFT - FROM NO D163035

Item	Part Number	Qty	Description	Comments
				FROM NO D163035
1	339402X1	2	Nut Metric	
2	385362X1	2	Washer Metric	
3	3712871M1	1	Support	[A]
4	3712872M1	2	Bearing Carrier	[A]
5	3712873M1	1	Bearing Assy	[A]
6	3009493X1	2	Screw Metric	M10X30
7	1440922X1	2	Bolt	M6X60
8	3714416M2	2	Sleeve	
9	3714414M1	1	Shaft	[A] Length 1971MM
10	3712074M1	1	Gasket	
11	3712077M1	1	Washer	
12	3712076M1	1	Bush	
13	3712073M1	1	Gasket	
14	1440353X1	1	Screw Metric	M12X35
15	1441858X1	1	Greaser	
16	1441500X1	2	Locknut	M6
17	3712089M91	1	Cowl	[A]
18	3042637M2	2	Spacer	
19	390597X1	2	Washer Metric	
20	392054X1	2	Screw	M10X22
21		2	Screw	See Page - Reference Number AE141500/1
22	3714575M1	4	Bellows	
23	3000136X1	4	Gasket	Up to Serial or Engine Number E050033

[A]
WITH HEAVY DUTY TRANSMISSION

[B]
AUSTRIA

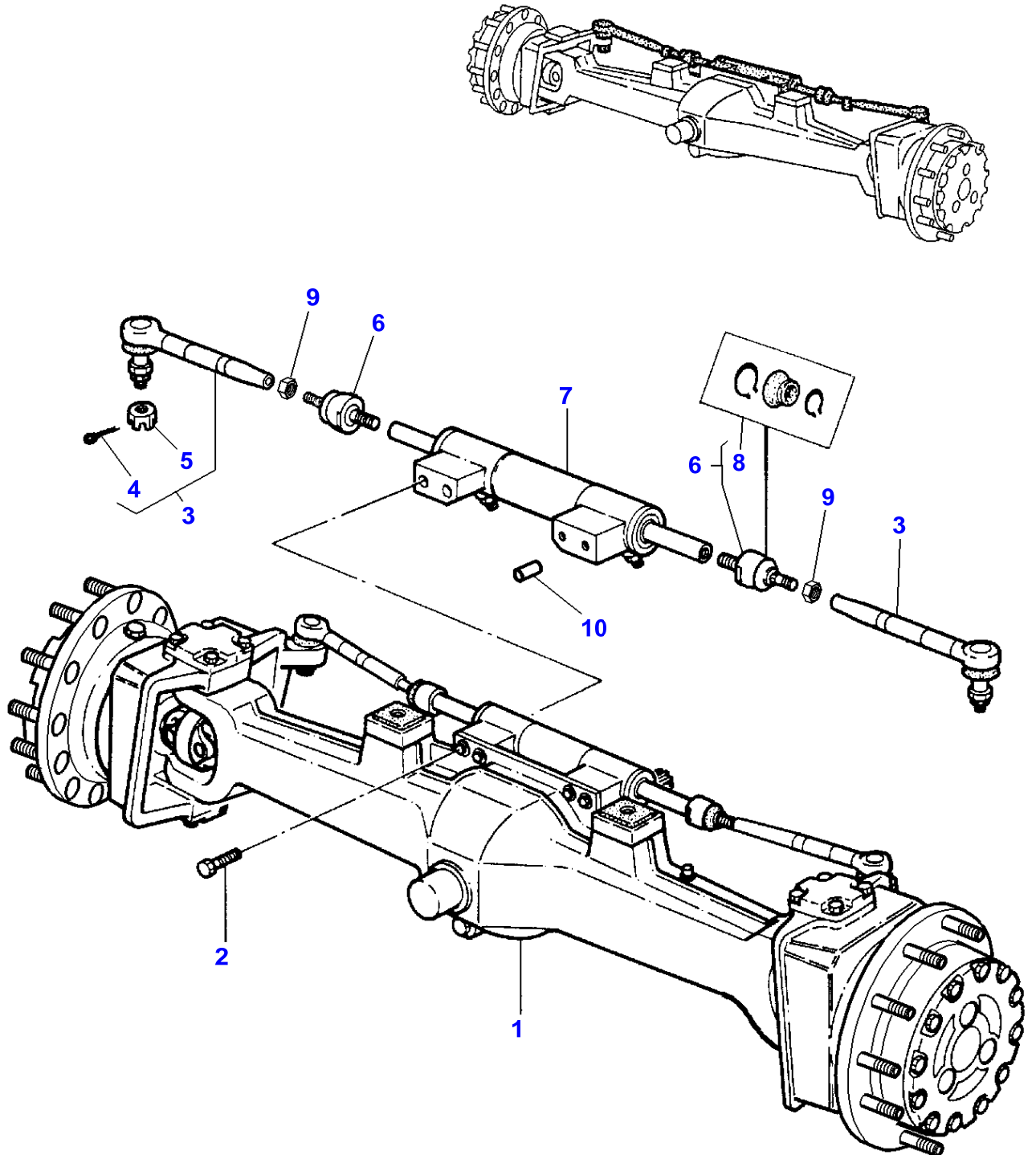
1-AK01-503-A



FRONT AXLE 4 WHEEL DRIVE - UP TO NO C278014

Item	Part Number	Qty	Description	Comments
				UP TO NO C278014
1	3428199M93	1	Front Live Axle	30 KM/H CAT. 3,5
1	3429148M91	1	Front Live Axle	30 KM/H CAT. 3,6
2	3428397M1	4	Screw	(1) M12X40
3	3426266M1	2	Spacer	(1)
4	3426276M1	2	Steering Tie Rod	(1)
5	3426255M1	2	Ball Joint	(1)
6	3483343M92	1	Steering Cyl	(1) Repairs and replaces 3426963M91 See Page - Reference Number 235/
7	1442917X1	1	Nut	(4) Up to Serial or Engine Number M8
7	1442921X1	1	Nut	(4) From Serial or Engine Number M10X1
8	3105558M1	1	Clamp	(4) Up to Serial or Engine Number
8	3105759M1	1	Clamp	(4) From Serial or Engine Number
9	3007477X1	1	Bolt	(4) Up to Serial or Engine Number M8X38
9	391867X1	1	Screw	(4) From Serial or Engine Number M10X1X50
10	391091X1	1	Pin	(4) Up to Serial or Engine Number
10	391423X1	1	Pin	(4) From Serial or Engine Number Diameter 4X40
11	3005888X1	1	Castle Nut	(4) Up to Serial or Engine Number
11	1440252X1	1	Nut	(4) From Serial or Engine Number M20X1,5
12	3311603M91	1	Kit, Repair	(5)
13	392420X1	2	Nut	M18X1,5

1-AK01-504-A



MASSEY FERGUSON**MF 3690 TRACTOR - 1637223**

1637223

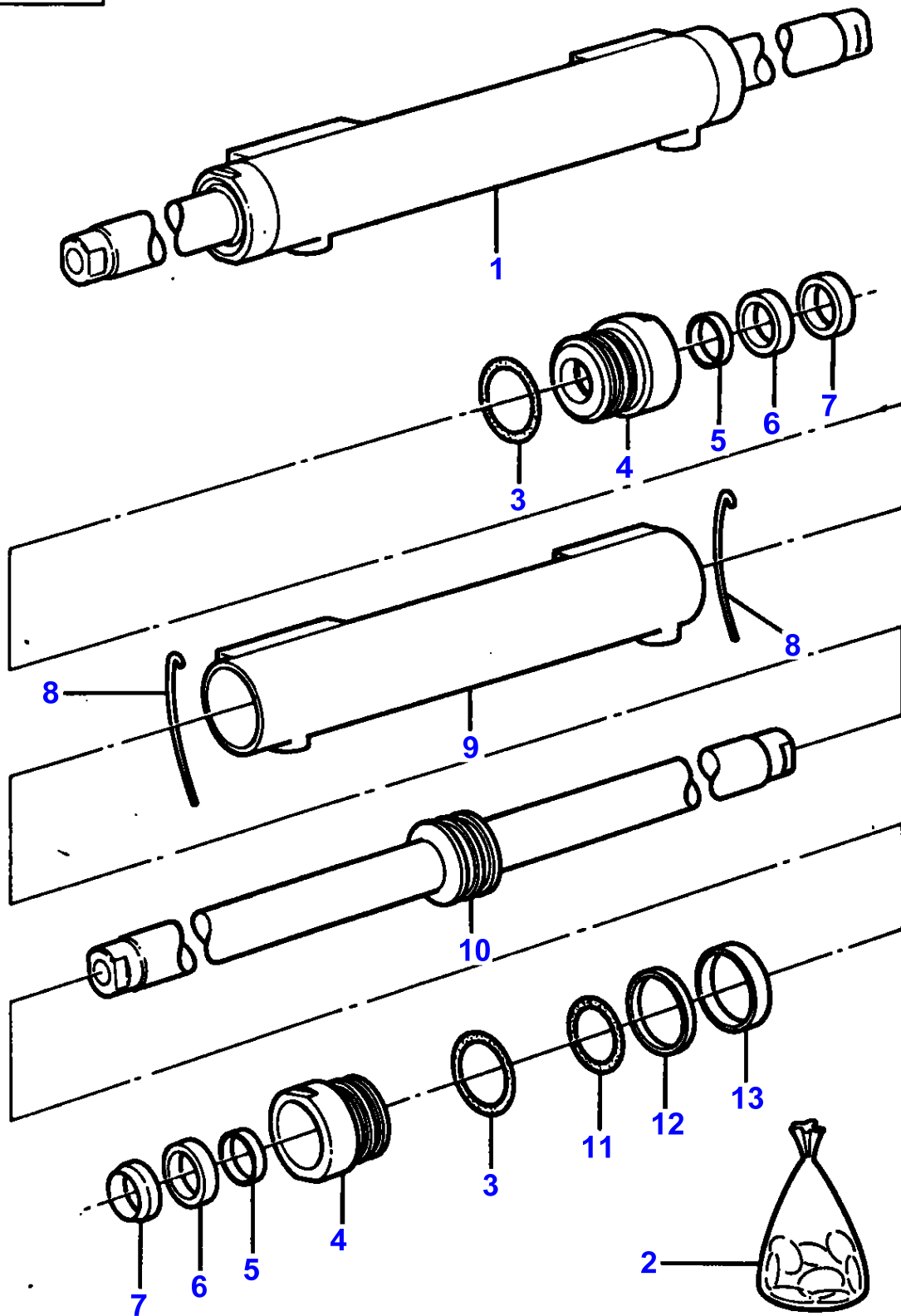
234

FRONT AXLE 4 WHEEL DRIVE - FROM NO C278015

Item	Part Number	Qty	Description	Comments
				FROM NO C278015
1	3429890M91	1	Front Live Axle	TYPE AG 200 Up to Serial or Engine Number D163034
1	3764338M93	1	Front Live Axle	TYPE AG 200 From Serial or Engine Number D163035
2	3764202M1	4	Bolt	M14X35
3	3429731M1	2	Steering Tie Rod	(1)
4		1	Pin	[A] (3)
5	391233X1	1	Nut Metric	(3) M24
6	3426255M1	2	Ball Joint	(1)
7	3429759M92	1	Steering Cyl	(1) See Page - Reference Number 236/
8	3311603M91	1	Kit, Repair	(6)
9	392420X1	2	Nut	M18X1,5
10	3764700M1	1	Dowel	

[A]
NUMBER TO BE ADVISED

1-AK13-002



MASSEY FERGUSON**MF 3690 TRACTOR - 1637223**

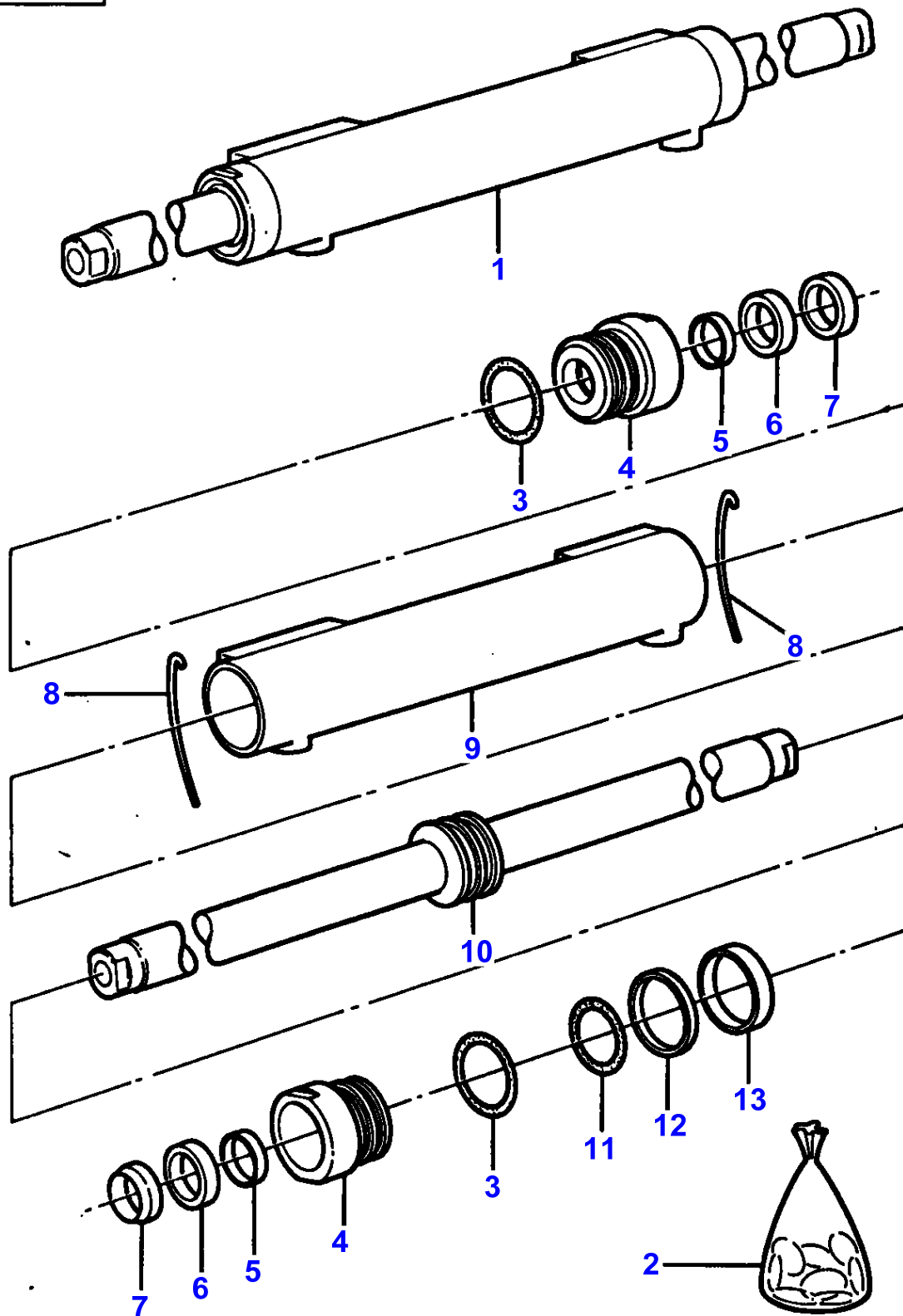
1637223

FRONT AXLE 4 WHEEL DRIVE-STEERING CYLINDERS - UP TO NO C278014

235

Item	Part Number	Qty	Description	Comments
				UP TO NO C278014
1	3483343M92	1	Steering Cyl	
2	3484624M92	X	Kit, Seal	
3	359188X1	2	O Ring	(2)
4	3484620M2	2	Guide Bush	(1)
5	3443426M1	2	Ring	(2)
6	1606463M1	2	Seal	(2)
7	1606503M1	2	Wiper	(2)
8	1605415M1	2	Ring	(1)
9	3484616M91	1	Barrel	(1)
				Diameter 75MM
10	3485513M91	1	Cylinder Rod	(1)
11	359187X1	1	O Ring	(2)
12	3484797M1	1	Seal	(2)
13	1606805M1	1	Seal	(2)

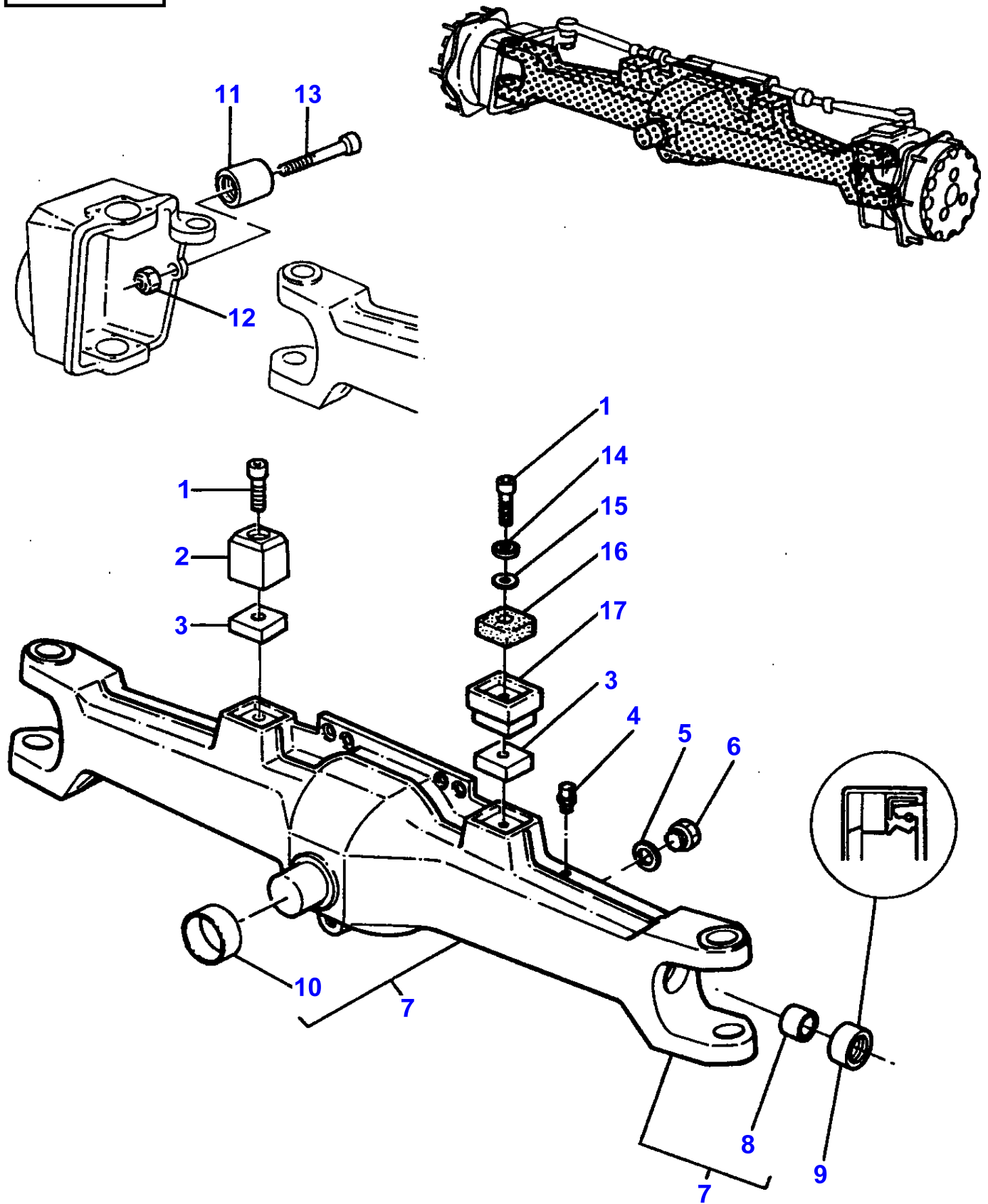
1-AK13-002



MASSEY FERGUSON**MF 3690 TRACTOR - 1637223****1637223****FRONT AXLE 4 WHEEL DRIVE-STEERING CYLINDERS - FROM NO C278015****236**

Item	Part Number	Qty	Description	Comments
				FROM NO C278015
1	3429759M92	1	Steering Cyl	
2	3484624M92	X	Kit, Seal	
3		2	O Ring	(2) Not serviced, order REF.2
4	3484620M2	2	Guide Bush	(1)
5		2	Ring	(2) Not serviced, order REF.2
6		2	Seal	(2) Not serviced, order REF.2
7		2	Wiper	(2) Not serviced, order REF.2
8	1605415M1	2	Ring	(1)
9		1	Barrel	(1) Not serviced, order REF.1
10	3623923M91	1	Cylinder Rod	(1)
11		1	O Ring	(2) Not serviced, order REF.2
12		1	Seal	(2) Not serviced, order REF.2
13		1	Seal	(2) Not serviced, order REF.2

1-AK03-012



FRONT AXLE 4 WHEEL DRIVE-HOUSING - UP TO NO C278014

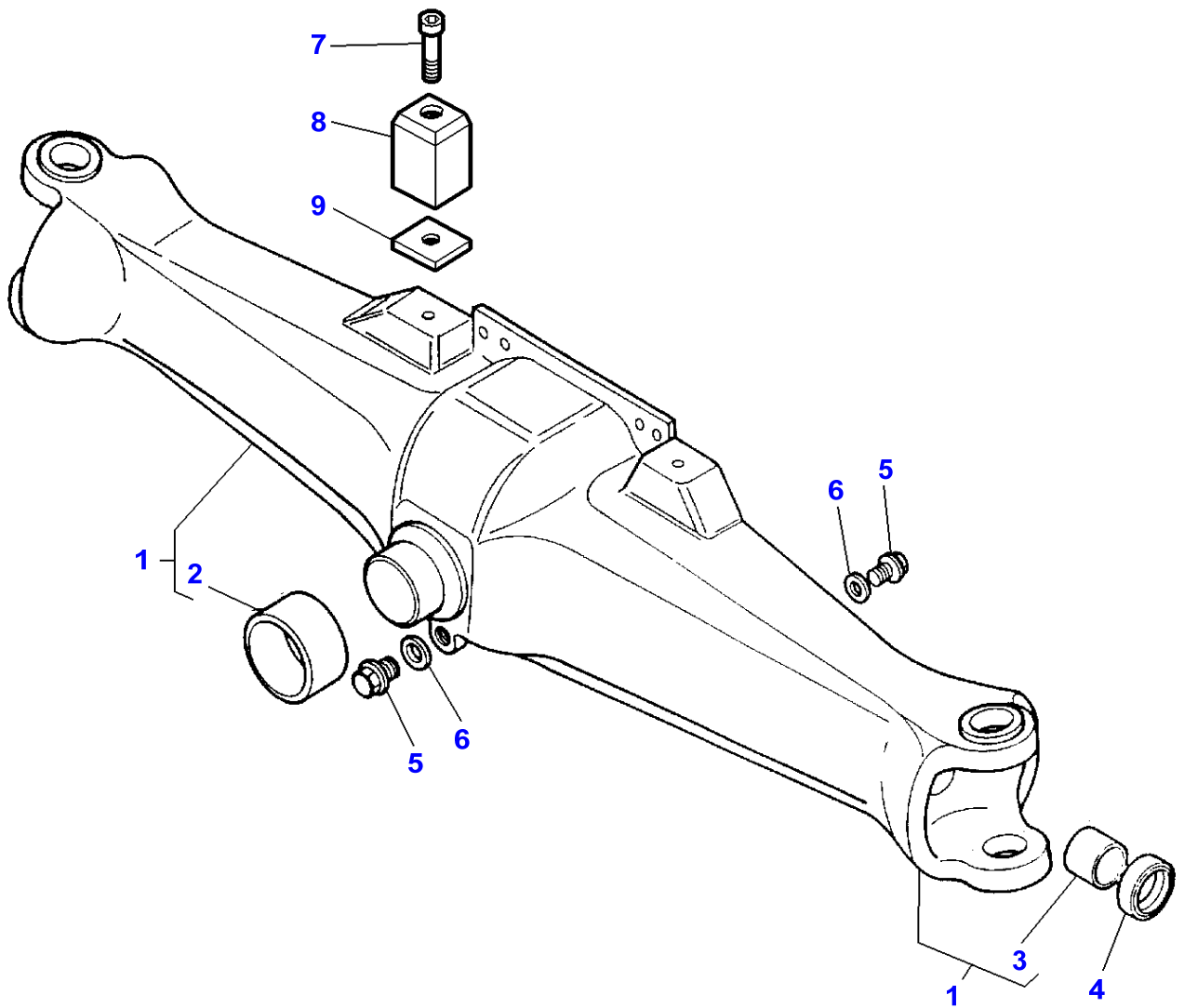
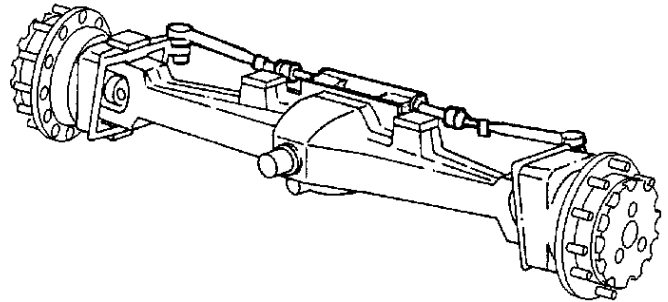
Item	Part Number	Qty	Description	Comments
				UP TO NO C278014
1	3008120X1	2	Screw	M10X70
	3009296X1	2	Screw	[A] M10X80
1	3010046X1	2	Screw	M10X95
2	3616572M1	2	Spacer	Thickness 59 MM From Serial or Engine Number S256010
2	3616573M1	2	Spacer	[B] Thickness 76,5 MM
3	3580720M1	2	Spacer	
4	1442560X1	1	Plug	
5	3427185M1	2	Washer	
6	3429400M1	2	Plug	Repairs and replaces 884691M2
7	3428279M93	1	Housing	
8	3426938M1	2	Bush	(7)
9	3428064M1	2	Seal	60X40X18,5
10	3428657M2	1	Bush	(7)
11	3615524M1	2	Stop	Length 62MM
12	1440330X1	2	Locknut	[B] M12
13	3009300X1	2	Screw	[B] M12
14	390734X1	2	Washer Metric	Up to Serial or Engine Number S256009
15	1424838M1	2	Spacer	Up to Serial or Engine Number S256009
16	3543387M1	2	Damper	Up to Serial or Engine Number S256009
17	3426784M1	2	Spacer	[C] Up to Serial or Engine Number S256009

[A]
USED ONLY WITH 3580720M1

[B]
WITH 60 INCH TRACK SETTING

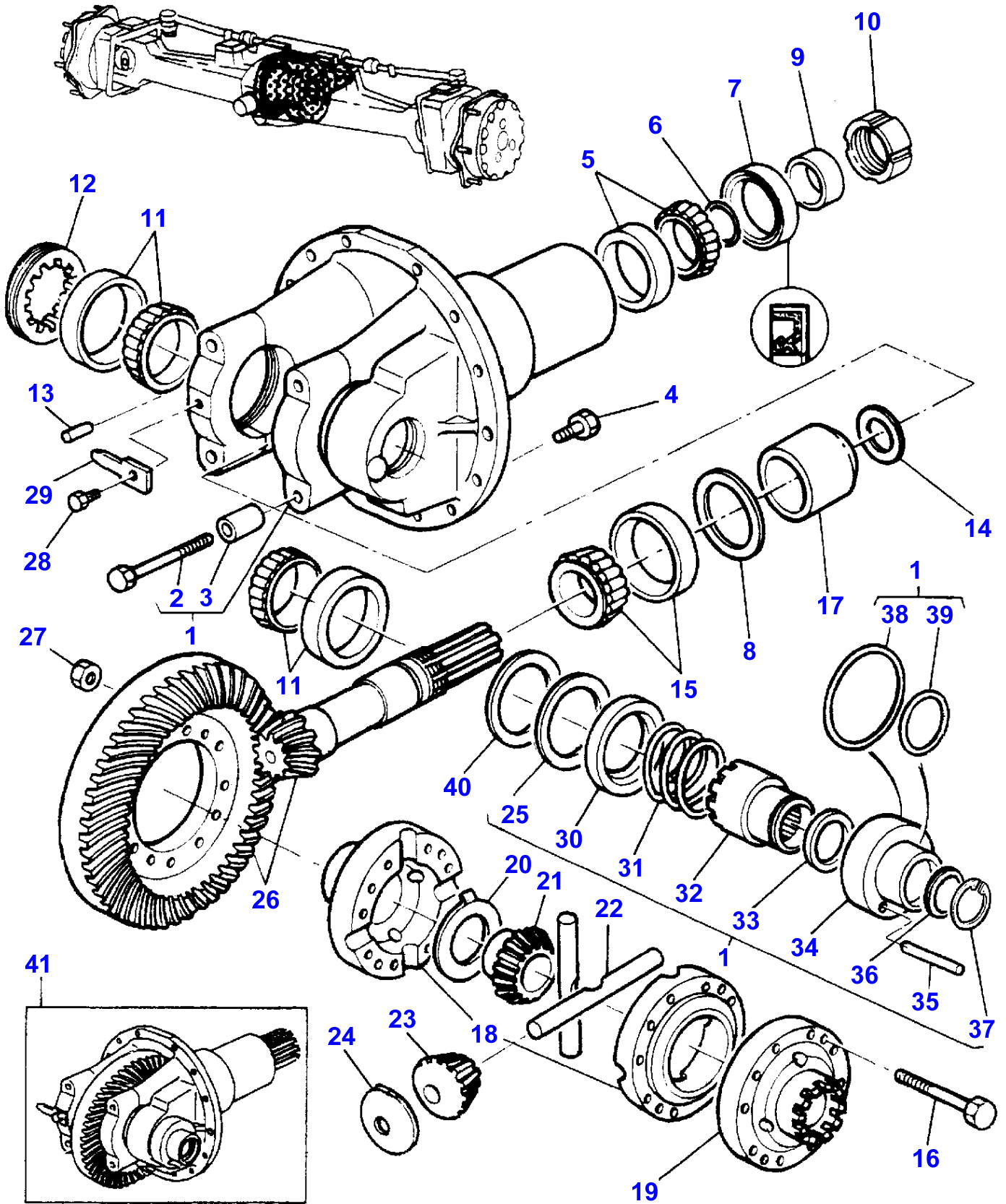
[C]
IRON

1-AK03-021



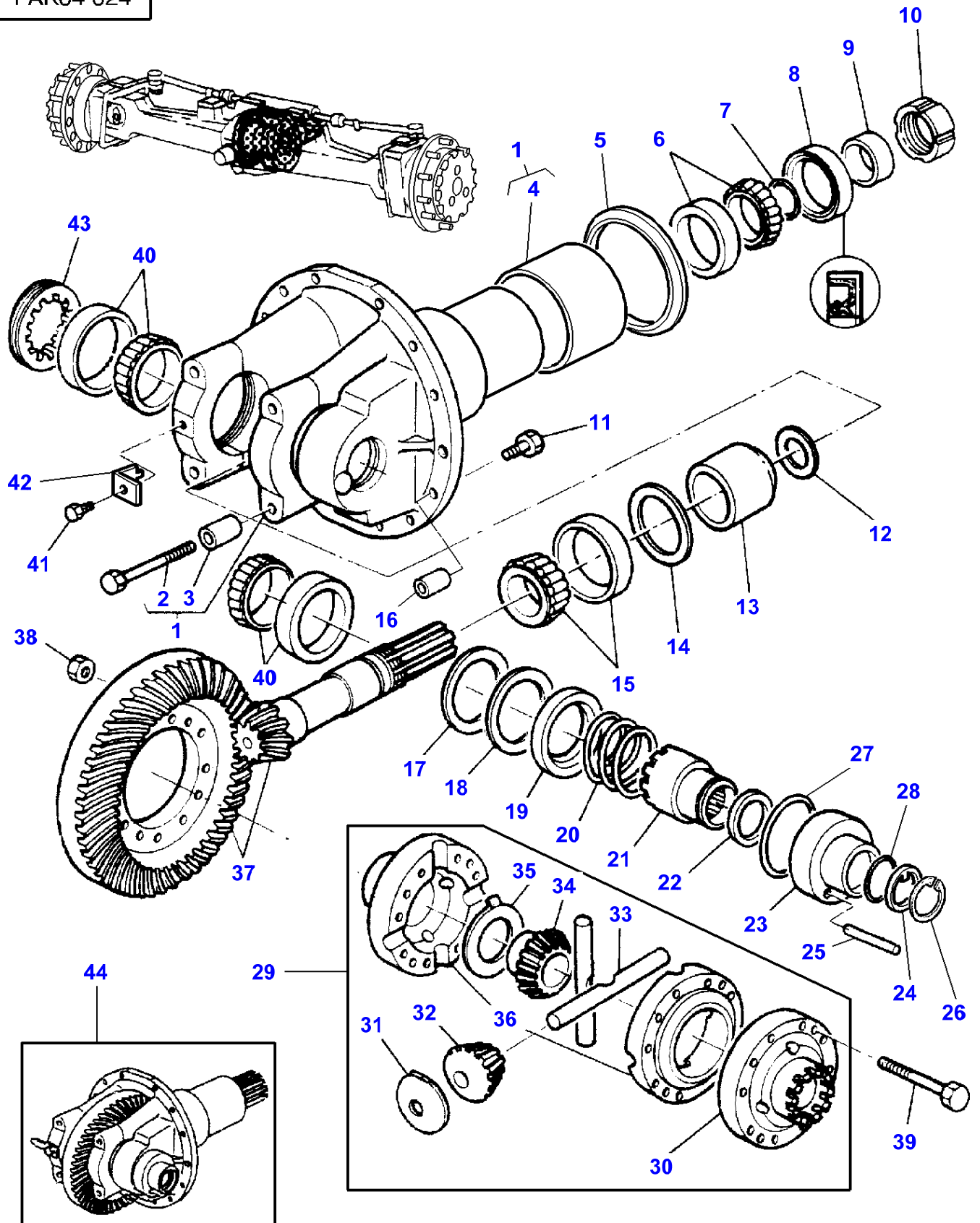
Item	Part Number	Qty	Description	Comments
				FROM NO C278015
1	3429756M94	1	Housing	
2	3428657M2	1	Bush	(1)
3	3426938M1	2	Bush	(1)
4	3428064M1	2	Seal	40X60X18,5
5	3429400M1	2	Plug	
6	3427185M1	2	Washer	
7	3008120X1	2	Screw	M10X70
	3009296X1	2	Screw	[A] M10X80
7	3010046X1	2	Screw	M10X95
8	3616572M1	2	Spacer	Thickness 59MM
	3616573M1	2	Spacer	[B] Thickness 76,5
9	3580720M1	2	Spacer	
				[A] USED ONLY WITH 3580720M1
				[B] WITH 60 INCH TRACK SETTING

1-AK04-021



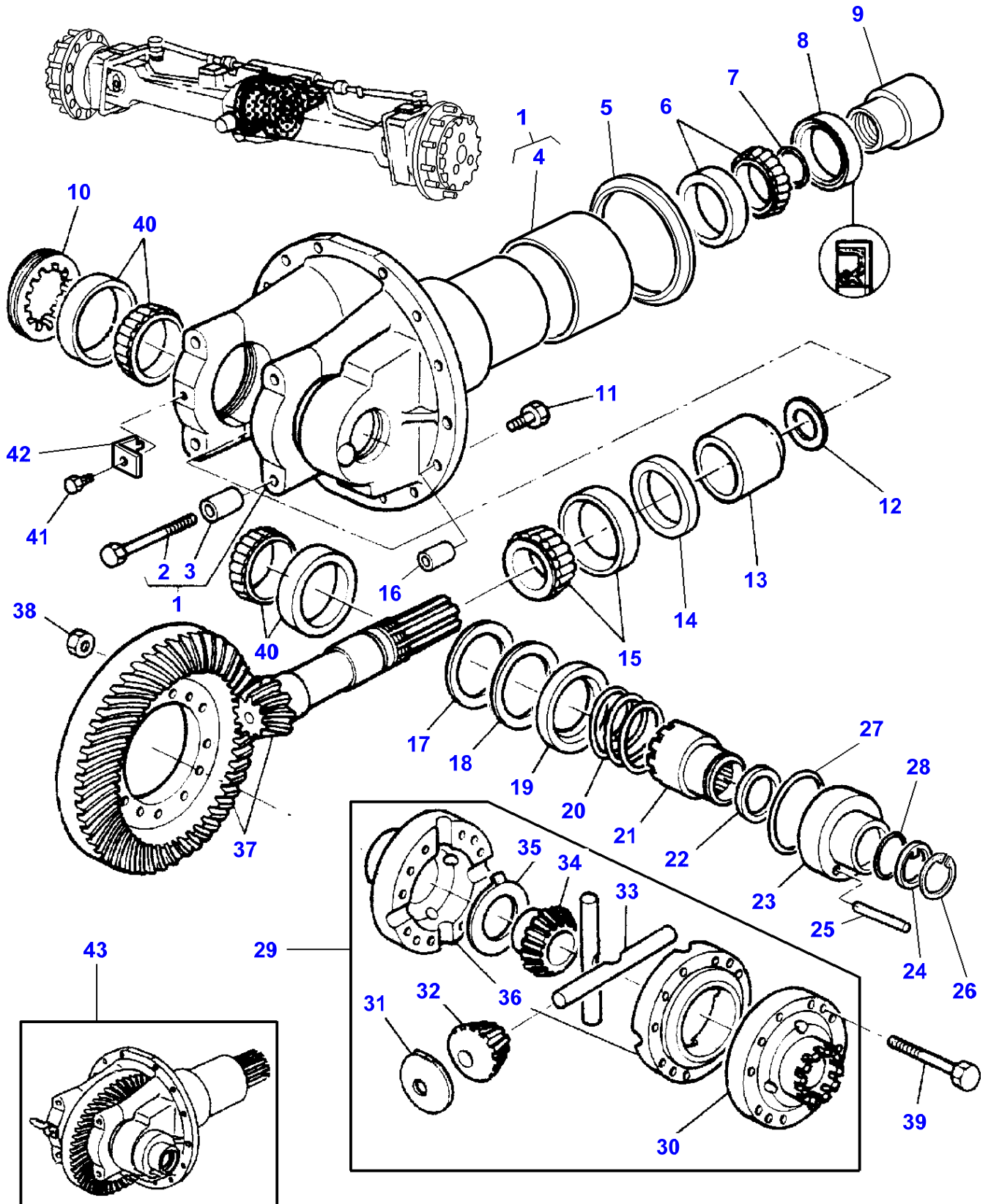
Item	Part Number	Qty	Description	Comments
				UP TO NO C278014
1	3428308M91	1	Support	
2	3019856X1	4	Bolt Metric	(1) M12X80
3	3427445M1	4	Dowel	(1)
4	3428397M1	12	Screw	M12X40
5	1440635X1	1	Bearing Assy	
6	366434X1	1	O Ring	34,59 X 2,62
7	3428314M1	1	Seal	65X92X18
8	3428282M1	X	Chock	Thickness 0,10MM
	3428283M1	X	Chock	Thickness 0,15MM
	3428284M1	X	Chock	Thickness 0,30MM
	3428285M1	X	Chock	Thickness 0,50MM
	3428286M1	X	Chock	Thickness 0,70MM
	3428287M1	X	Chock	Thickness 1MM
9	3428296M1	1	Spacer	
10	3426023M1	1	Nut	
11	391339X1	2	Bearing Bush	
12	3427462M1	1	Ferrule	
13	3426266M1	2	Spacer	
14	3428289M1	X	Chock	Thickness 0,10MM
	3428290M1	X	Chock	Thickness 0,15MM
	3428291M1	X	Chock	Thickness 0,30MM
	3428292M1	X	Chock	Thickness 0,50MM
	3428293M1	X	Chock	Thickness 0,70MM
	3428294M1	X	Chock	Thickness 1MM
15	1442408X1	1	Bearing	
16	3427302M1	12	Screw	M10X75
17	3428295M1	1	Spacer	
18	3427306M93	1	Housing	
19	3427837M2	1	Flange	
20	3427461M1	2	Washer	
21		2	Planet	[A] Not serviced, order 3427815M91
22	3428408M1	2	Clevis Pin	
23		4	Diff Pinion	[A] Not serviced, order 3427815M91
24	3427311M1	4	Washer	
25	3427079M1	1	Spacer	(1)
26	3428310M91	1	Kit, Bevel Gear	8X39
27	3019947X1	12	Nut	
28	1444071X1	1	Screw	M8X8
29	3427466M1	1	Locking Plate	
30	3427839M1	1	Guide	(1)
31	3427313M1	1	Spring	(1)
32	3427838M1	1	Sleeve	(1)
33	3427443M1	1	Washer	(1)
34	3427460M1	1	Piston	(1)
35	3427444M1	1	Dowel	(1)
36	3427463M1	1	Washer	(1)
37	1442697X1	1	Circlip	(1)
38	359236X1	1	O Ring	(1) 97,79 X 5,33
39	3019927X1	1	O Ring	(1) 60,33 X 3,53
40	3427281M1	X	Shim	Thickness 0,10MM
	3427282M1	X	Shim	Thickness 0,15MM
	3427283M1	X	Shim	Thickness 0,30MM
	3427284M1	X	Shim	Thickness 0,50MM
	3427285M1	X	Shim	Thickness 0,70MM
	3427286M1	X	Shim	Thickness 1MM
41	3311612M93	1	Differential	[A] 3427815M91 INCLUDES (2)3427442M1 AND (4)3427090M1

1-AK04-024



Item	Part Number	Qty	Description	Comments
				FROM NO C278015 UP TO NO D163034
1	3429919M92	1	Support	
2	3019856X1	4	Bolt Metric	(1) M12X80
3	3427445M1	4	Dowel	(1)
4	3429920M2	1	Bush	(1)
5	3429921M1	1	Flange	
6	1440648X1	1	Bearing	
7	366434X1	1	O Ring	2,62X34,59
8	3428314M1	1	Seal	65X92X18
9	3428296M1	1	Spacer	
10	3426023M1	1	Nut	
11	3764102M1	12	Screw	M14X45
12	3428487M1	X	Chock	Thickness 0,10MM
	3428488M1	X	Chock	Thickness 0,15MM
	3428489M1	X	Chock	Thickness 0,30MM
	3428490M1	X	Chock	Thickness 0,50MM
	3428491M1	X	Chock	Thickness 0,70MM
	3428492M1	X	Chock	Thickness 1MM
13	3429072M1	1	Spacer	
14	3428494M1	X	Chock	Thickness 0,10MM
	3428495M1	X	Chock	Thickness 0,15MM
	3428496M1	X	Chock	Thickness 0,30MM
	3428497M1	X	Chock	Thickness 0,50MM
	3428498M1	X	Chock	Thickness 0,70MM
	3428499M1	X	Chock	Thickness 1MM
15	3764266M1	1	Bearing	
16	3428426M1	2	Centraliser	
17	3427281M1	X	Shim	Thickness 0,10MM
	3427282M1	X	Shim	Thickness 0,15MM
	3427283M1	X	Shim	Thickness 0,30MM
	3427284M1	X	Shim	Thickness 0,50MM
	3427285M1	X	Shim	Thickness 0,70MM
	3427286M1	X	Shim	Thickness 1MM
18	3427079M1	1	Spacer	
19	3427839M1	1	Guide	
20	3427313M1	1	Spring	
21	3427838M1	1	Sleeve	
22	3427443M1	1	Washer	
23	3427460M1	1	Piston	
24	3427463M1	1	Washer	
25	3427444M1	1	Dowel	
26	1442697X1	1	Circlip	
27	359236X1	1	O Ring	97,79X5,33
28	3019927X1	1	O Ring	60,33X3,53
29	3429721M91	1	Differential	
30	3429722M1	1	Flange	(29)
31	3427311M1	4	Washer	(29)
32	3429724M1	4	Diff Pinion	(29)
33	3429059M1	2	Clevis Pin	(29)
34	3429723M1	2	Planet	(29)
35	3427461M1	2	Washer	(29)
36	3429719M91	1	Housing	(29)
37	3429069M91	1	Kit, Bevel Gear	8X38
38	1444303X1	12	Nut	
39	3429916M1	12	Screw	M12X75
40	391339X1	2	Bearing Bush	
41	1444071X1	1	Screw	M8X8
42	3427466M1	1	Locking Plate	
43	3427462M1	1	Ferrule	
44	3902408M91	1	Differential	

1-AK04-512-A



FRONT AXLE 4 WHEEL DRIVE-DIFFERENTIAL - FROM NO D163035

Item	Part Number	Qty	Description	Comments
				FROM NO D163035
1	3429919M92	1	Support	Up to Serial or Engine Number D355010
	3764588M92	1	Support	From Serial or Engine Number D355011
2	3019856X1	4	Bolt Metric	(1) M12X80
3	3427445M1	4	Dowel	(1)
4	3429920M2	1	Bush	(1)
5	3429921M1	1	Flange	
6	1440648X1	1	Bearing	Up to Serial or Engine Number D355010
	3764593M1	1	Bearing	From Serial or Engine Number D355011
7	366434X1	1	O Ring	2,62X34,59
8	3428314M1	1	Seal	65X92X18
9	3764466M1	1	Nut	
10	3427462M1	1	Ferrule	
11	3764102M1	12	Screw	M14X45
12	3428487M1	X	Chock	Thickness 0,10MM
	3428488M1	X	Chock	Thickness 0,15MM
	3428489M1	X	Chock	Thickness 0,30MM
	3428490M1	X	Chock	Thickness 0,50MM
	3428491M1	X	Chock	Thickness 0,70MM
	3428492M1	X	Chock	Thickness 1MM
13	3764264M1	1	Spacer	Up to Serial or Engine Number D355010
	3764594M1	1	Spacer	From Serial or Engine Number D355011
14	3764301M1	X	Spacer	Thickness 6 MM Up to Serial or Engine Number D355010
14	3764302M1	X	Spacer	Thickness 6,05MM Up to Serial or Engine Number D355010
14	3764216M1	X	Spacer	Thickness 6MM From Serial or Engine Number D355011
14	3764303M1	X	Spacer	Thickness 6,10MM Up to Serial or Engine Number D355010
14	3764217M1	X	Spacer	Thickness 6,03MM From Serial or Engine Number D355011
14	3764304M1	X	Spacer	Thickness 6,15MM Up to Serial or Engine Number D355010
14	3764218M1	X	Spacer	Thickness 6,06MM From Serial or Engine Number D355011
14	3764305M1	X	Spacer	Thickness 6,20MM Up to Serial or Engine Number D355010
14	3764219M1	X	Spacer	Thickness 6,09MM From Serial or Engine Number D355011
14	3764306M1	X	Spacer	Thickness 6,25MM Up to Serial or Engine Number D355010
14	3764220M1	X	Spacer	Thickness 6,12MM From Serial or Engine Number D355011
14	3764221M1	X	Spacer	Thickness 6,15MM From Serial or Engine Number D355011
14	3764222M1	X	Spacer	Thickness 6,18MM From Serial or Engine Number D355011
14	3764307M1	X	Spacer	Thickness 6,30MM Up to Serial or Engine Number D355010
14	3764223M1	X	Spacer	Thickness 6,21MM From Serial or Engine Number D355011
14	3764224M1	X	Spacer	Thickness 6,24MM From Serial or Engine Number D355011
14	3764225M1	X	Spacer	Thickness 6,27MM From Serial or Engine Number D355011
14	3764226M1	X	Spacer	Thickness 6,30MM From Serial or Engine Number D355011
14	3764308M1	X	Spacer	Thickness 6,35MM Up to Serial or Engine Number D355010
14	3764227M1	X	Spacer	Thickness 6,33MM From Serial or Engine Number D355011
14	3764228M1	X	Spacer	Thickness 6,36MM From Serial or Engine Number D355011
14	3764229M1	X	Spacer	Thickness 6,39MM From Serial or Engine Number D355011
14	3764309M1	X	Spacer	Thickness 6,40MM Up to Serial or Engine Number D355010

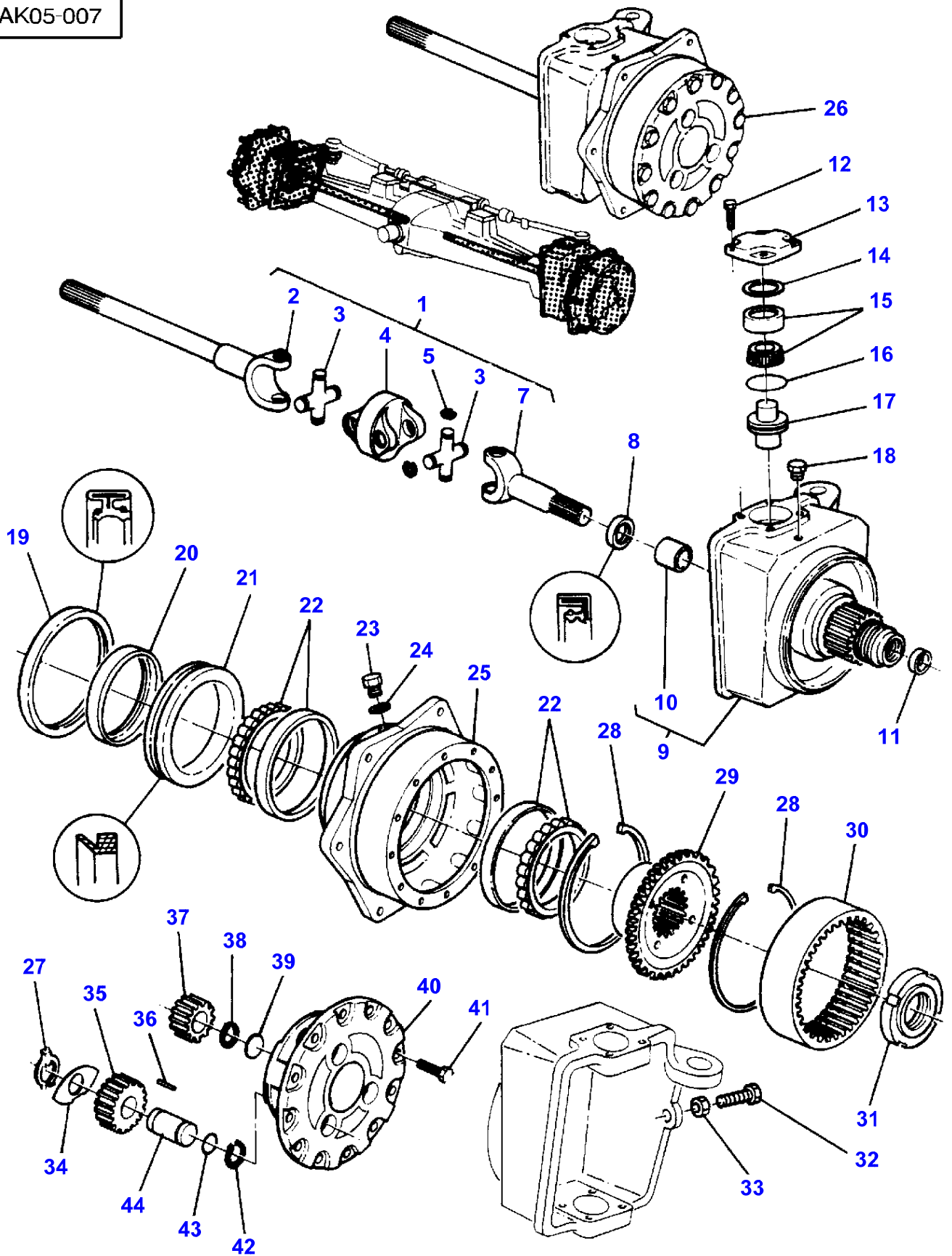
FRONT AXLE 4 WHEEL DRIVE-DIFFERENTIAL - FROM NO D163035

Item	Part Number	Qty	Description	Comments
14	3764230M1	X	Spacer	Thickness 6,42MM From Serial or Engine Number D355011
14	3764310M1	X	Spacer	Thickness 6,45MM Up to Serial or Engine Number D355010
14	3764231M1	X	Spacer	Thickness 6,45MM From Serial or Engine Number D355011
14	3764232M1	X	Spacer	Thickness 6,48MM From Serial or Engine Number D355011
14	3764311M1	X	Spacer	Thickness 6,50MM Up to Serial or Engine Number D355010
14	3764233M1	X	Spacer	Thickness 6,51MM From Serial or Engine Number D355011
14	3764234M1	X	Spacer	Thickness 6,54MM From Serial or Engine Number D355011
14	3764312M1	X	Spacer	Thickness 6,55MM Up to Serial or Engine Number D355010
14	3764235M1	X	Spacer	Thickness 6,57MM From Serial or Engine Number D355011
14	3764313M1	X	Spacer	Thickness 6,60MM Up to Serial or Engine Number D355010
14	3764236M1	X	Spacer	Thickness 6,60MM From Serial or Engine Number D355011
14	3764237M1	X	Spacer	Thickness 6,63MM From Serial or Engine Number D355011
14	3764314M1	X	Spacer	Thickness 6,65MM Up to Serial or Engine Number D355010
14	3764238M1	X	Spacer	Thickness 6,66MM From Serial or Engine Number D355011
14	3764239M1	X	Spacer	Thickness 6,69MM From Serial or Engine Number D355011
14	3764315M1	X	Spacer	Thickness 6,70MM Up to Serial or Engine Number D355010
14	3764240M1	X	Spacer	Thickness 6,72MM From Serial or Engine Number D355011
14	3764316M1	X	Spacer	Thickness 6,75MM Up to Serial or Engine Number D355010
14	3764241M1	X	Spacer	Thickness 6,75MM From Serial or Engine Number D355011
14	3764242M1	X	Spacer	Thickness 6,78MM From Serial or Engine Number D355011
14	3764317M1	X	Spacer	Thickness 6,80MM Up to Serial or Engine Number D355010
14	3764318M1	X	Spacer	Thickness 6,85MM Up to Serial or Engine Number D355010
14	3764243M1	X	Spacer	Thickness 7,03MM From Serial or Engine Number D355011
14	3764319M1	X	Spacer	Thickness 7,20MM Up to Serial or Engine Number D355010
15	3764266M1	1	Bearing	
16	3428426M1	2	Centraliser	
17	3427281M1	X	Shim	Thickness 0,10MM
17	3427282M1	X	Shim	Thickness 0,15MM
17	3427283M1	X	Shim	Thickness 0,30MM
17	3427284M1	X	Shim	Thickness 0,50MM
17	3427285M1	X	Shim	Thickness 0,70MM
17	3427286M1	X	Shim	Thickness 1MM
18	3427079M1	1	Spacer	
19	3427839M1	1	Guide	
20	3427313M1	1	Spring	
21	3427838M1	1	Sleeve	
22	3427443M1	1	Washer	
23	3427460M1	1	Piston	
24	3427463M1	1	Washer	
25	3427444M1	1	Dowel	
26	1442697X1	1	Circlip	
27	359236X1	1	O Ring	97,79X5,33
28	3019927X1	1	O Ring	60,33X3,53
29	3429721M91	1	Differential	
30	3429722M1	1	Flange	(29)
31	3427311M1	4	Washer	(29)

FRONT AXLE 4 WHEEL DRIVE-DIFFERENTIAL - FROM NO D163035

Item	Part Number	Qty	Description	Comments
32	3429724M1	4	Diff Pinion	(29)
33	3429059M1	2	Clevis Pin	(29)
34	3429723M1	2	Planet	(29)
35	3427461M1	2	Washer	(29)
36	3429719M91	1	Housing	(29)
37	3764457M91	1	Kit, Bevel Gear	8X38 Up to Serial or Engine Number D355010
37	3764591M91	1	Kit, Bevel Gear	8X38 From Serial or Engine Number D355011
38	1444303X1	12	Nut	
39	3429916M1	12	Screw	M12X75
40	391339X1	2	Bearing Bush	
41	1444071X1	1	Screw	M8X8
42	3427466M1	1	Locking Plate	
43	3902422M91	1	Differential	Up to Serial or Engine Number D355010
43	3902579M91	1	Kit,Differential	From Serial or Engine Number D355011

1-AK05-007



FRONT AXLE 4 WHEEL DRIVE-FINAL DRIVE - UP TO NO C278014

Item	Part Number	Qty	Description	Comments
				UP TO NO C278014
1	3428297M91	1	Shaft	Left Hand
	3428298M91	1	Shaft	Right Hand
2	3428102M1	1	Yoke	(1) Right Hand
2	3428103M1	1	Yoke	(1) Left Hand
3	3428155M91	2	Crosspiece	(1)
4	3428156M1	1	Body	(1)
5	1442486X1	8	Circlip	(1)
7	3428101M1	1	Yoke	(1)
8	3428064M1	2	Seal	[A,B] 40X60X18,5
9		1	Housing	Right Hand Up to Serial or Engine Number A069026 Not serviced, order 3900516M91
9	3429032M92	1	Housing	[A] Right Hand From Serial or Engine Number A069027
9		1	Housing	Left Hand Up to Serial or Engine Number A069026 Not serviced, order 3900517M91
9	3429034M92	1	Housing	[B] Left Hand From Serial or Engine Number A069027
10	3426938M1	1	Bush	(9)
11	3428306M1	2	Thrust Plate	[A,B]
12	3428397M1	16	Screw	M12X40
13	3426330M1	2	Cover	Bottom
	3426329M1	2	Cover	Top
14	3428722M1	X	Shim	Thickness 0,10MM
	3428723M1	X	Shim	Thickness 0,15MM
	3428725M1	X	Shim	Thickness 0,50MM
	3428727M1	X	Shim	Thickness 1,00MM
15	3426619M1	4	Bearing Assy	
16	371153X1	4	O Ring	Diameter 71,12X2,62M
17	3426332M1	4	Pivot	
18	1442560X1	2	Plug	
19	3429815M1	2	Oil Seal	[A,B] Repairs and replaces 3428503M1
20	3429815M1	2	Oil Seal	[A,B] Repairs and replaces 3428504M1
21	3429815M1	2	Oil Seal	[A,B] Repairs and replaces 3428317M1
22	3426851M2	4	Bearing Taper	[A,B]
23	3429400M1	2	Plug	Repairs and replaces 884691M2
24	3427185M1	2	Washer	
25		1	Hub	Up to Serial or Engine Number A069026 Right Hand Not serviced, order 3900516M91
25		1	Hub	Up to Serial or Engine Number A069026 Left Hand Not serviced, order 3900517M91
25	3429036M1	2	Hub	[A,B] From Serial or Engine Number A069027
26	3900421M91	1	Final Drive	Right Hand
	3900422M91	1	Final Drive	Left Hand
27	3426957M1	6	Segment	
28	3428305M1	4	Segment	
29	3428415M1	2	Flange	[A,B]
30	3428303M1	2	Annular Gear	Number of teeth/spines 53
31	3429041M1	2	Nut	[A,B] Repairs and replaces 3428410M1
32	3428648M1	2	Screw	
33	339495X1	2	Nut	
34	3427431M1	12	Thrust Plate	
35	3426768M1	6	Gear	Number of teeth/spines 19
36	3426855M2	150	Needle	
37	3426257M2	2	Gear	Number of teeth/spines 13

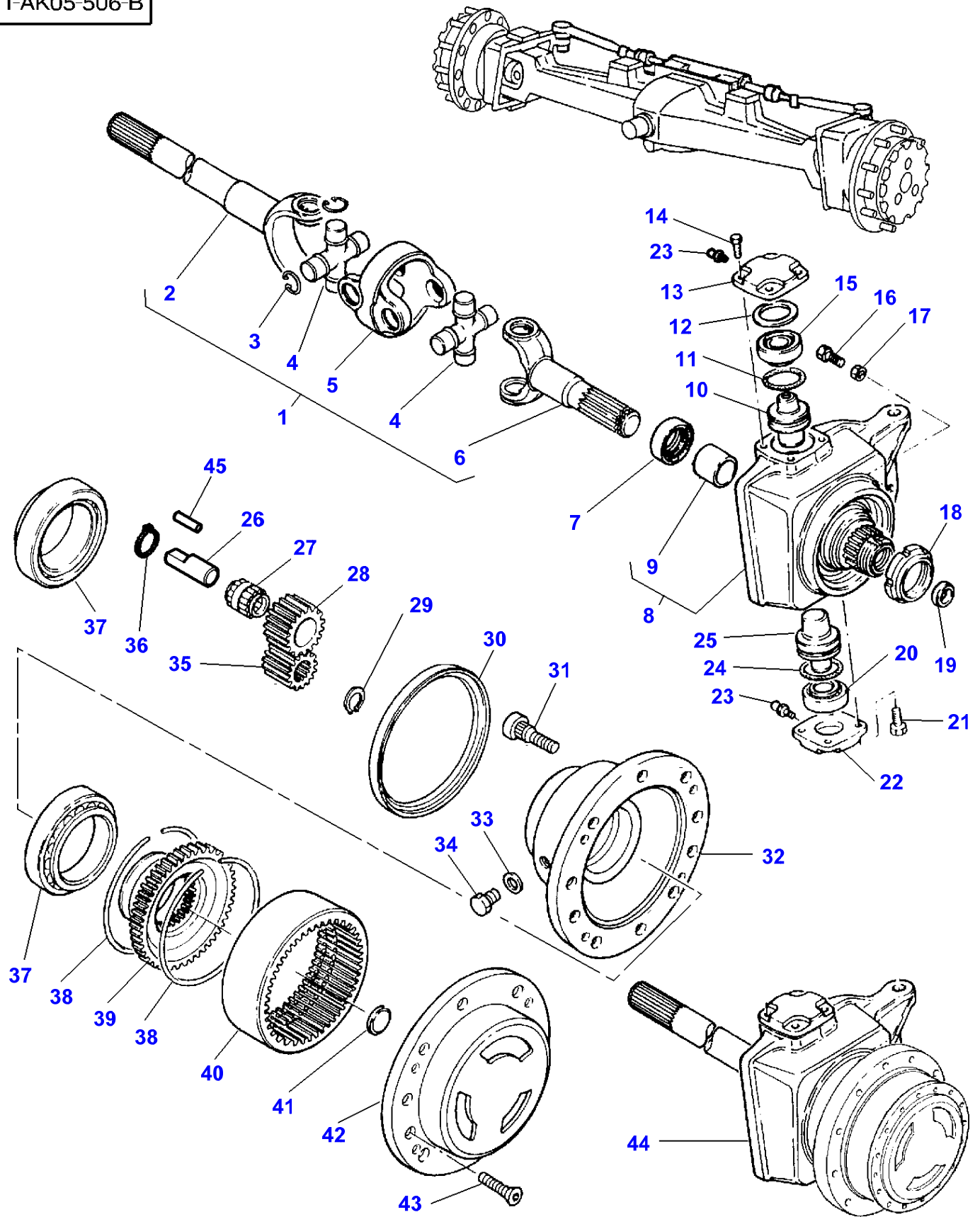
MASSEY FERGUSON**MF 3690 TRACTOR - 1637223****1637223****FRONT AXLE 4 WHEEL DRIVE-FINAL DRIVE - UP TO NO C278014****242**

Item	Part Number	Qty	Description	Comments
38	339469X1	2	Segment	
39	3426771M1	2	Thrust Plate	
40	3426956M2	2	Cover	
41	3428397M1	24	Screw	M12X40
42	392152X1	6	Segment	
43	364777X1	6	O Ring	
44	3426962M1	6	Clevis Pin	

[A]
INCLUDED IN REPAIR KIT 3900516M91

[B]
INCLUDED IN REPAIR KIT 3900517M91

1-AK05-506-B



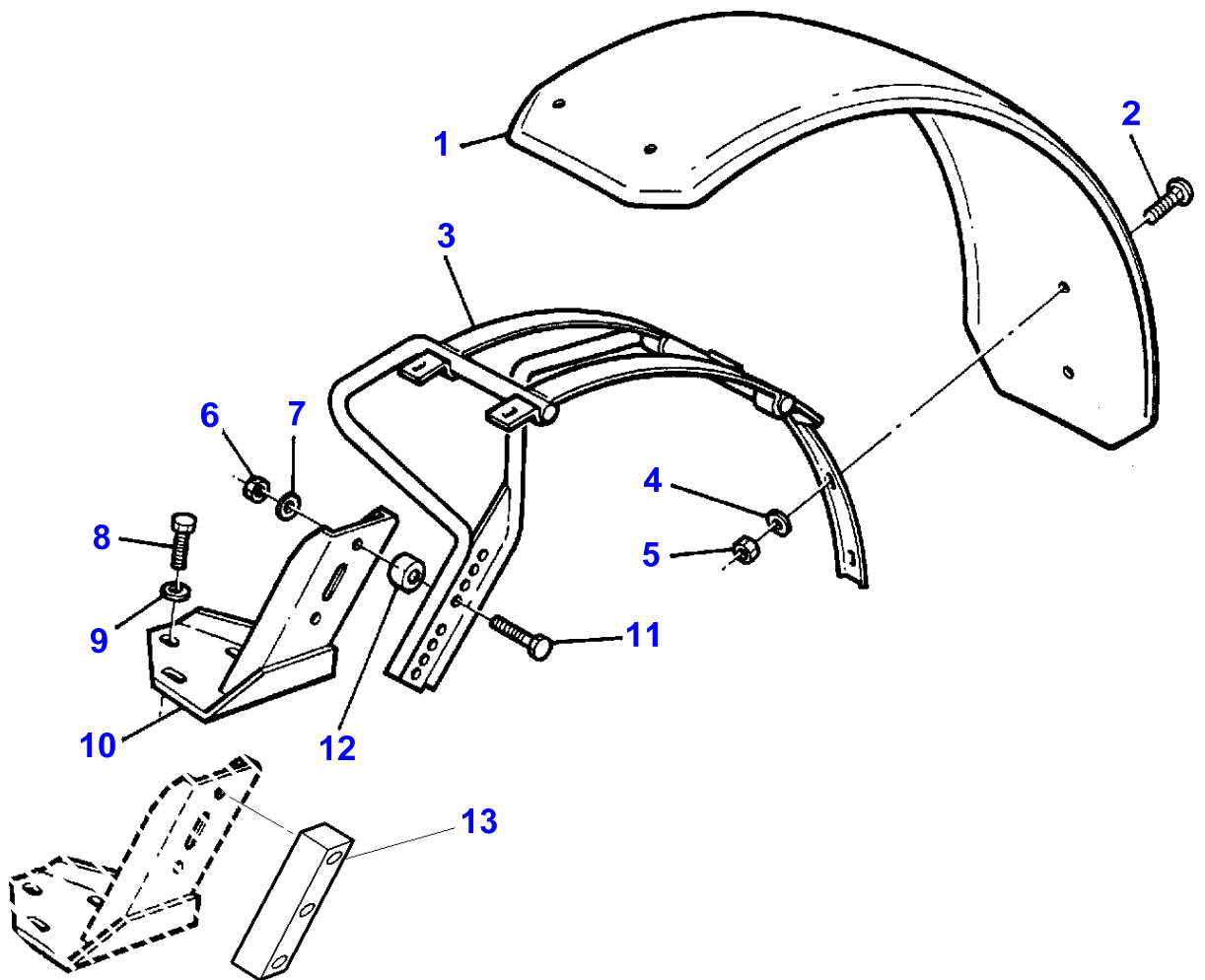
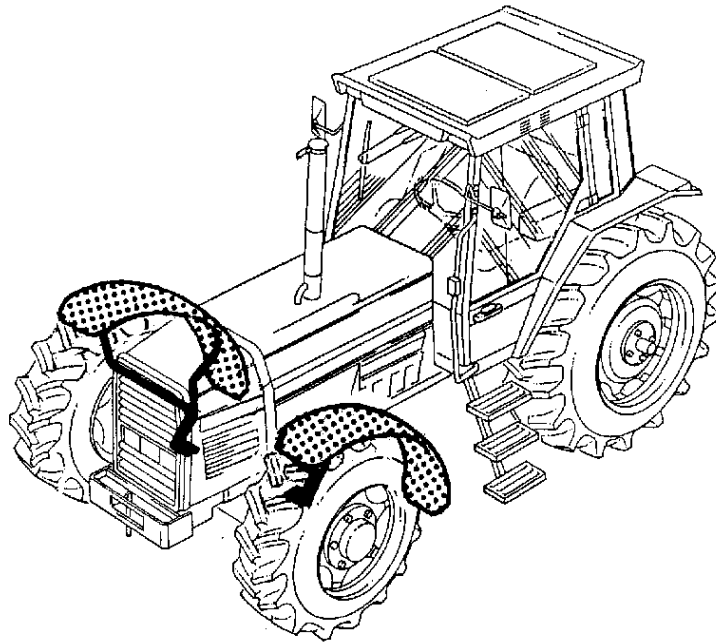
FRONT AXLE 4 WHEEL DRIVE-FINAL DRIVE - FROM NO C278015

Item	Part Number	Qty	Description	Comments
				FROM NO C278015
1	3429065M91	1	Universal Joint	Right Hand
	3429066M91	1	Universal Joint	Left Hand
2	3429067M1	1	Yoke	(1) Right Hand
2	3429068M1	1	Yoke	(1) Left Hand
3	339657X1	8	Circlip	(1)
4	3428434M91	2	Spider	(1)
5	3428435M1	1	Body	(1)
6	3428433M1	1	Yoke	(1)
7	3428064M1	2	Seal	
8	3429876M91	1	Housing	Left Hand Up to Serial or Engine Number D163034
8	3764213M91	1	Housing	Left Hand From Serial or Engine Number D163035
8	3429874M91	1	Housing	Right Hand Up to Serial or Engine Number D163034
8	3764211M91	1	Housing	Right Hand From Serial or Engine Number D163035
9	3426938M1	1	Bush	(8)
10	3429910M1	2	Pivot	Up to Serial or Engine Number 03-JAN-1996
	3429864M1	2	Pivot	From Serial or Engine Number 03-JAN-1996
11	371153X1	2	O Ring	2,62X71,12 Up to Serial or Engine Number 03-JAN-1996
11	3429318M1	2	Gasket	From Serial or Engine Number 03-JAN-1996
12	3428722M1	X	Shim	Thickness 0,10MM
	3428723M1	X	Shim	Thickness 0,15MM
	3428725M1	X	Shim	Thickness 0,50MM
	3428727M1	X	Shim	Thickness 1MM
13	3426329M1	2	Cover	Up to Serial or Engine Number 03-JAN-1996
14	3764103M1	7	Screw	
15	3426619M1	2	Bearing Assy	
16	3428648M1	2	Screw	Up to Serial or Engine Number D163034
	3764203M1	2	Bolt	From Serial or Engine Number D163035
17	339495X1	2	Nut	Up to Serial or Engine Number D163034
	3764828M1	2	Nut	From Serial or Engine Number D163035 392370X1
18	3429521M1	2	Nut	
19	3428306M1	2	Thrust Plate	
20	3426619M1	2	Bearing Assy	
21	3764103M1	7	Screw	
22	3429323M1	2	Cover	
23	339003X1	2	Greaser	
24	3429318M1	2	Gasket	
25	3429864M1	2	Pivot	
26	3429853M1	6	Clevis Pin	Up to Serial or Engine Number 22-NOV-1996
	3764841M1	6	Clevis Pin	From Serial or Engine Number 22-NOV-1996
27	3428484M1	6	Bearing Assy	
28	3428472M1	6	Gear	Number of teeth/spines 18
29	339469X1	2	Segment	
30	3429889M1	2	Seal	210X240X21
31	3428141M3	20	Screw	
32	3429854M2	2	Hub	
33	3427185M1	2	Washer	
34	3429400M1	2	Plug	
35	3428471M1	2	Gear	Number of teeth/spines 12
36	3429523M1	6	Segment	Up to Serial or Engine Number 22-NOV-1996
	3764822M1	6	Circlip	From Serial or Engine Number 22-NOV-1996
37	3428478M1	4	Bearing Taper	
38	3428481M1	4	Segment	
39	3429863M1	2	Flange	
40	3429856M1	2	Annular Gear	Number of teeth/spines 51
41	3426771M1	2	Thrust Plate	
42	3429855M1	2	Carrier	Up to Serial or Engine Number 22-NOV-1996
	3764842M1	2	Carrier	From Serial or Engine Number 22-NOV-1996
43	3007449X1	8	Bolt	M10X20
44	3902409M91	1	Final Drive	Left Hand Up to Serial or Engine Number D163034

MASSEY FERGUSON**MF 3690 TRACTOR - 1637223****1637223****FRONT AXLE 4 WHEEL DRIVE-FINAL DRIVE - FROM NO C278015****243**

Item	Part Number	Qty	Description	Comments
44	3902410M91	1	Final Drive	Right Hand Up to Serial or Engine Number D163034
44	3902423M91	1	Final Drive	Left Hand From Serial or Engine Number D163035
44	3902424M91	1	Final Drive	Right Hand From Serial or Engine Number D163035
45	3764823M1	6	Needle	From Serial or Engine Number 22-NOV-1996

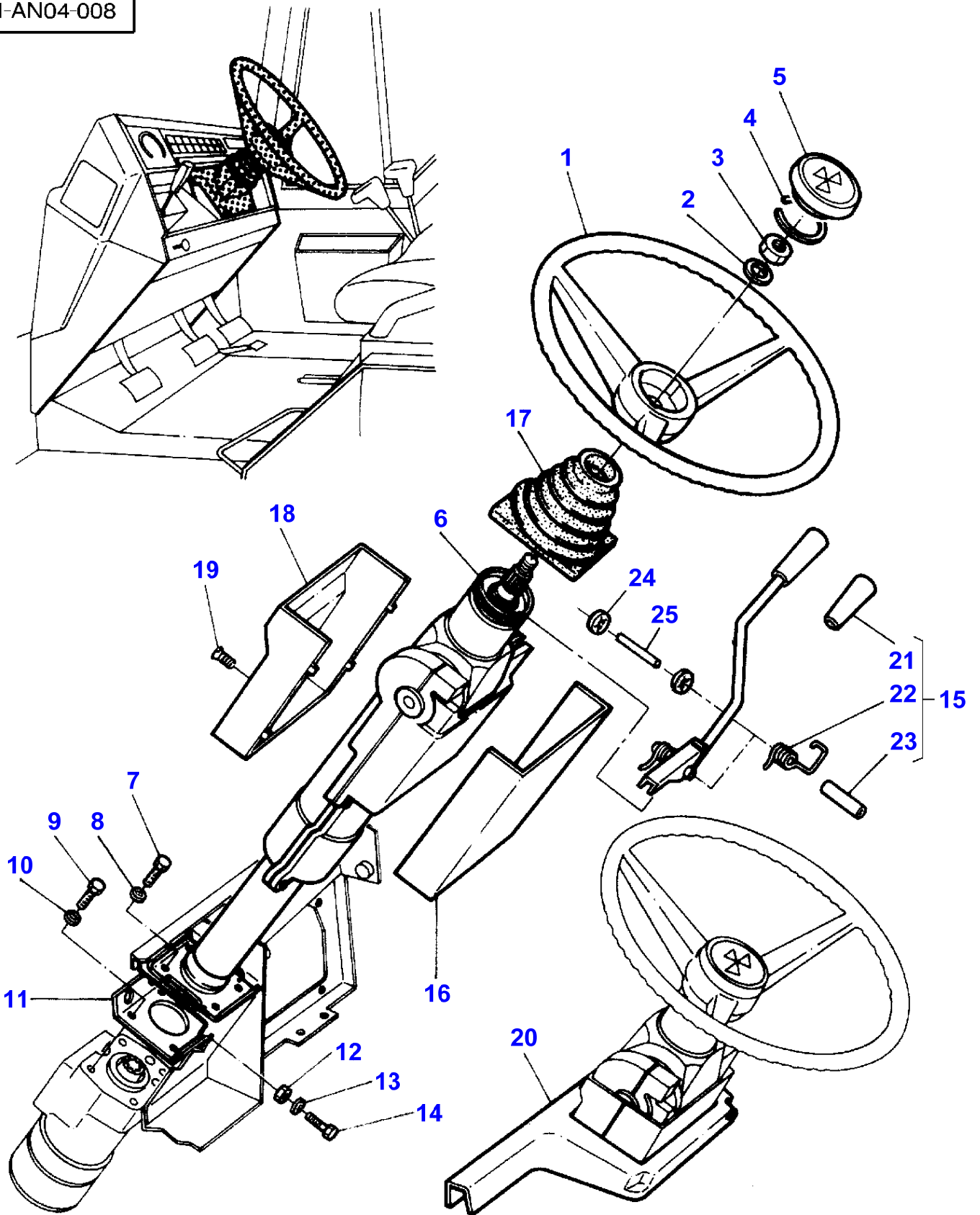
1-AK14-008



FRONT AXLE 4 WHEEL DRIVE-MUDGUARDS AND SUPPORTS

Item	Part Number	Qty	Description	Comments
1	3715946M1	2	Fender	Up to Serial or Engine Number Width 410MM 3305981M2
1	3619229M2	2	Fender	From Serial or Engine Number DUNLOP Width 470MM
2	390809X1	12	Bolt Metric	M 10X25 TRCC
3	3531151M91	1	Support	Left Hand
	3531152M91	1	Support	Right Hand
4	390734X1	12	Washer Metric	
5	392310X1	12	Nut Metric	
6	339054X1	4	Nut Metric	Up to Serial or Engine Number
	3009695X1	6	Nut Metric	From Serial or Engine Number
7	390735X1	4	Nut	Up to Serial or Engine Number
	390735X1	6	Nut	From Serial or Engine Number
8	339451X1	6	Screw Metric	
9	3619096M1	6	Washer	Repairs and replaces 385362X1
10	3536397M91	1	Support	Left Hand
	3536398M91	1	Support	Right Hand
11	3009511X1	4	Bolt Metric	M12X55 From Serial or Engine Number (Up to Serial or Engine Number A192023
11	3009511X1	4	Bolt Metric	For Germany only or any text in German only Up to Serial or Engine Number A260015 M12X55
11	391375X1	4	Screw Metric	For Germany only or any text in German only From Serial or Engine Number A260016 M12X35
11	3009511X1	6	Bolt Metric	From Serial or Engine Number A192024
12	3582052M2	4	Spacer	Up to Serial or Engine Number A192023
	3582052M2	4	Spacer	For Germany only or any text in German only Up to Serial or Engine Number A260015
13	3618241M1	2	Spacer	From Serial or Engine Number A192024

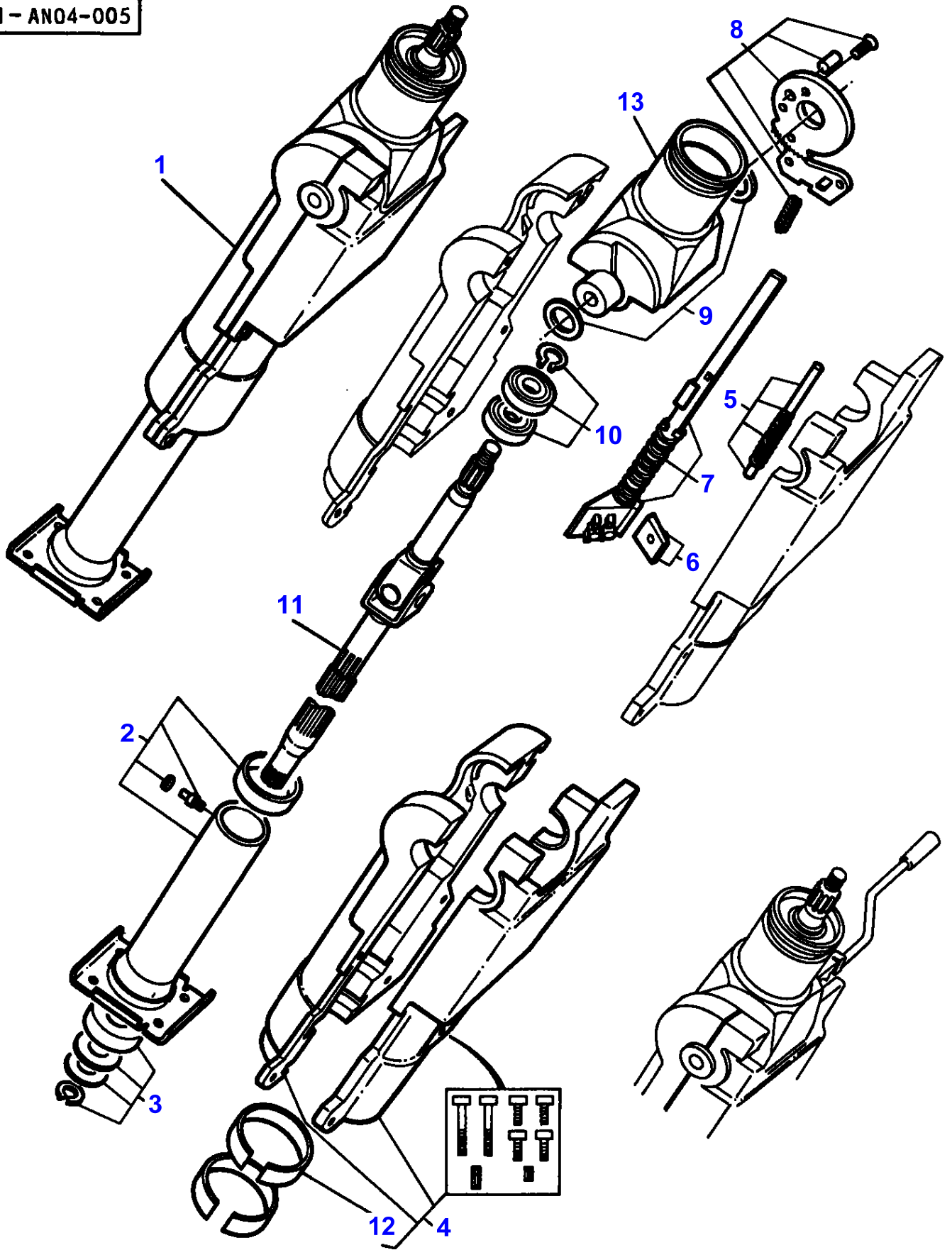
1-AN04-008



STEERING-STEERING WHEEL AND COLUMN - TELESCOPIC STEERING WHEEL

Item	Part Number	Qty	Description	Comments
TELESCOPIC STEERING WHEEL				
1	3385796M2	1	Steering Wheel	
	3385796M2	1	Steering Wheel	[B] Up to Serial or Engine Number B286007
2	390585X1	1	Washer Metric	
3	339571X1	1	Nut Metric	
4	961714M1	1	Ring	
	961714M1	1	Ring	[B] Up to Serial or Engine Number B286007
5	3618970M91	1	Helmet	
	3618970M91	1	Helmet	[B] Up to Serial or Engine Number B286007
6		1	Steering Column	See Page - Reference Number 246/ See Page - Reference Number 247/
7	339124X1	4	Screw Metric	
8	1440921X1	4	Washer Metric	3/8"X16
9	362429X1	4	Screw	3/8"X16
10	353756X1	4	Washer	Diameter 3/8"
11	3388920M93	1	Support	
12	1619912M1	3	Vibration Mount	
13	3389958M1	6	Washer	
14	3009494X1	3	Screw Metric	
15	3388829M91	1	Lever	Up to Serial or Engine Number
16	3389326M1	1	Case Assy	Up to Serial or Engine Number
17	3389206M1	1	Bellows	Up to Serial or Engine Number
18	3389325M1	1	Case Assy	Up to Serial or Engine Number
19	3580138M1	2	Screw	Up to Serial or Engine Number
20		1	Panel	See Page - Reference Number 408/1
21	3580135M1	1	Handle	(15) Up to Serial or Engine Number
22	3580134M1	1	Spring	(15) Up to Serial or Engine Number
23	391018X1	1	Pin	(15) Up to Serial or Engine Number
24	3581135M1	2	Ring	Up to Serial or Engine Number
25	3581134M3	1	Pin	Diameter 2,95X70MM Up to Serial or Engine Number
[A] JAPAN				
[B] AUSTRIA				

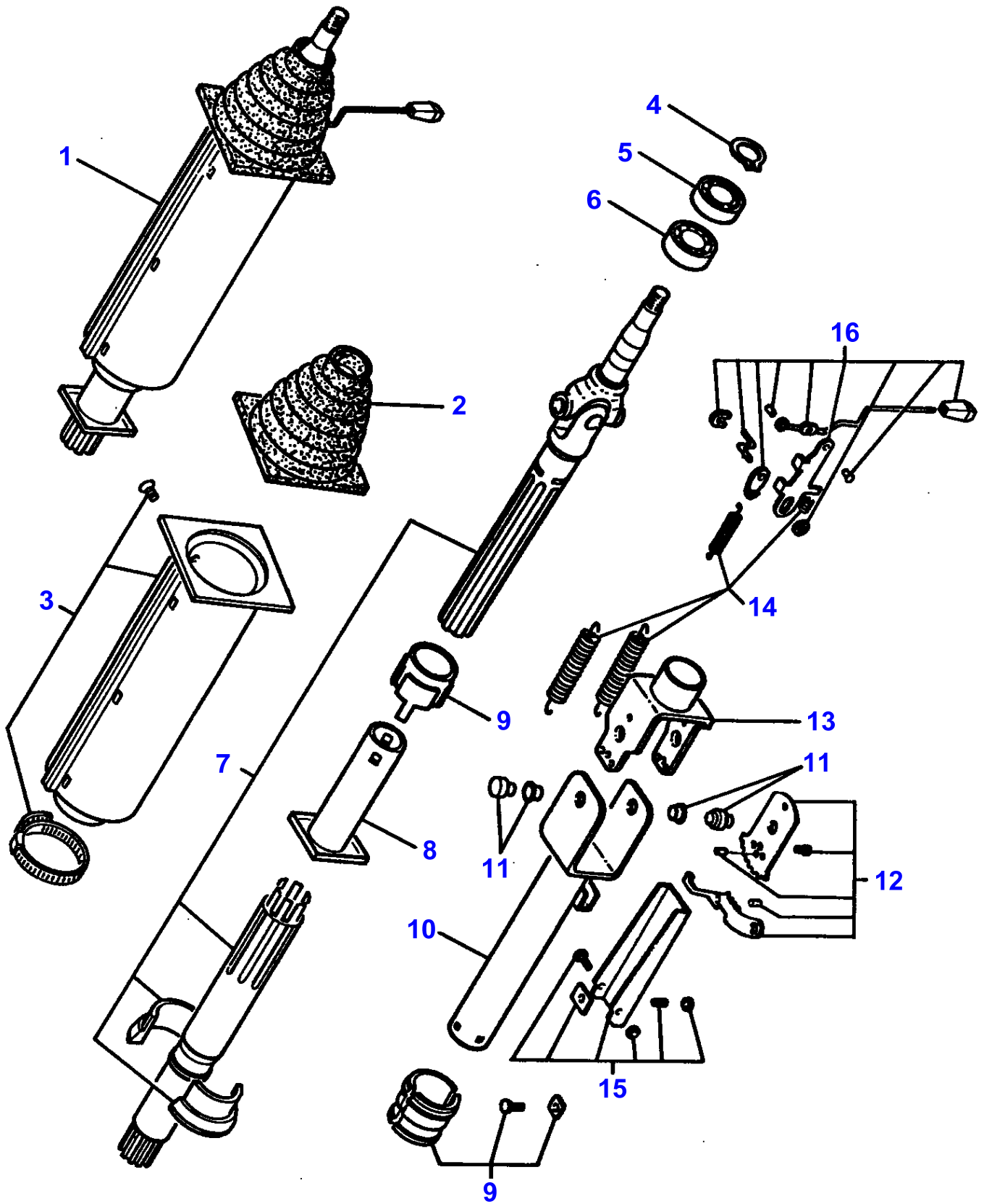
1-AN04-005



MASSEY FERGUSON**MF 3690 TRACTOR - 1637223****1637223****STEERING-STEERING WHEEL AND COLUMN - TELESCOPIC STEERING WHEEL - UP TO NO A073021****246**

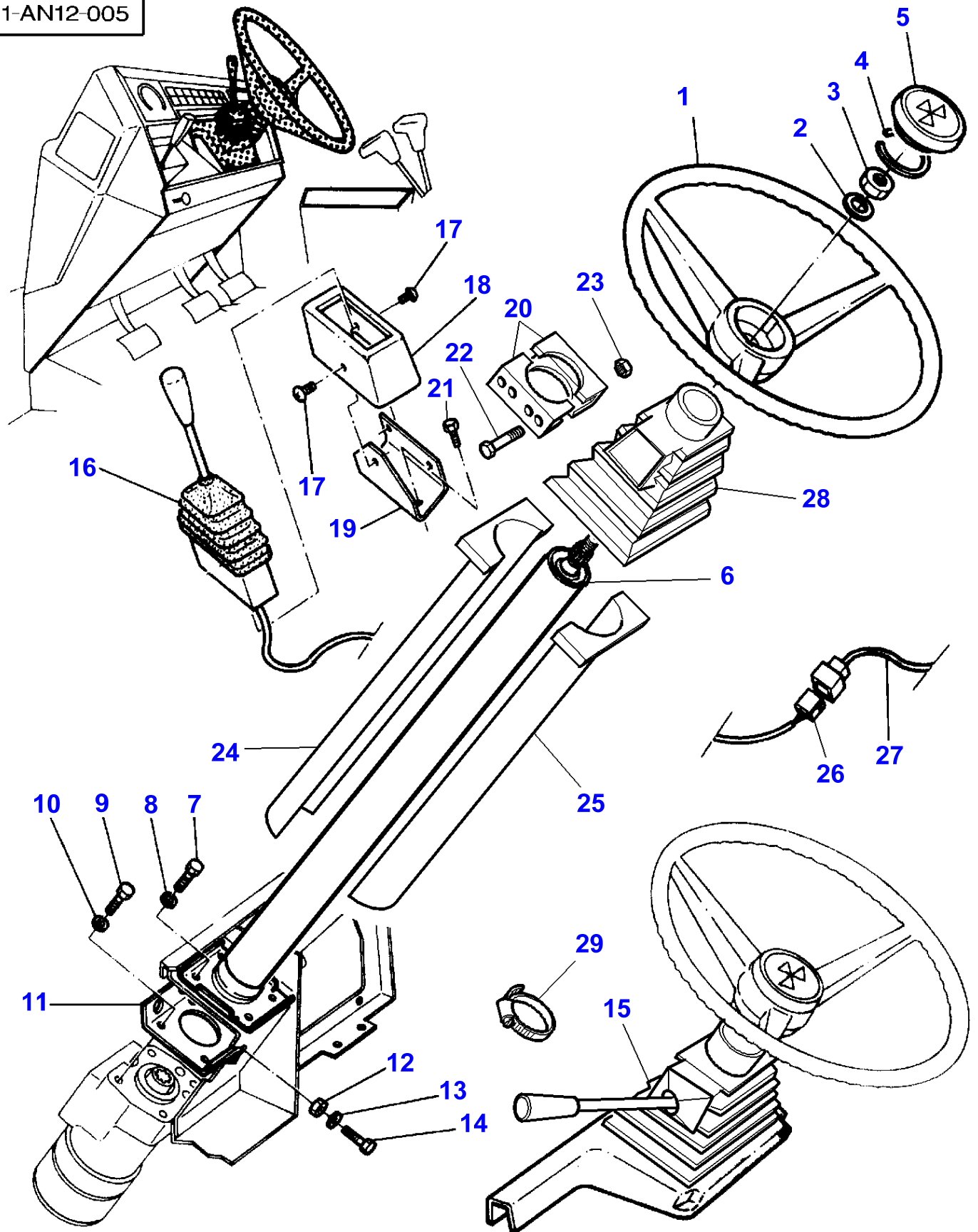
Item	Part Number	Qty	Description	Comments
				TELESCOPIC STEERING WHEEL - UP TO NO A073021
1	3388828M5	1	Steering Column	
2	3467189M2	1	Column	(1)
3	3467192M1	1	Kit, Bush	(1)
4	3467198M93	1	Body	(1)
5	3467196M1	1	Stem	(1)
6	3467193M1	1	Latch	(1)
7	3467194M1	1	Stem	(1)
8	3467195M2	1	Cog	(1)
9	3600015M1	2	Washer	(1)
10	3467191M92	1	Parts Pack	(1)
11	3467190M1	1	Shaft	(1)
12	3467495M2	2	Segment	(4)
13	3467197M2	1	Body	(1)

1- 1271 - 307



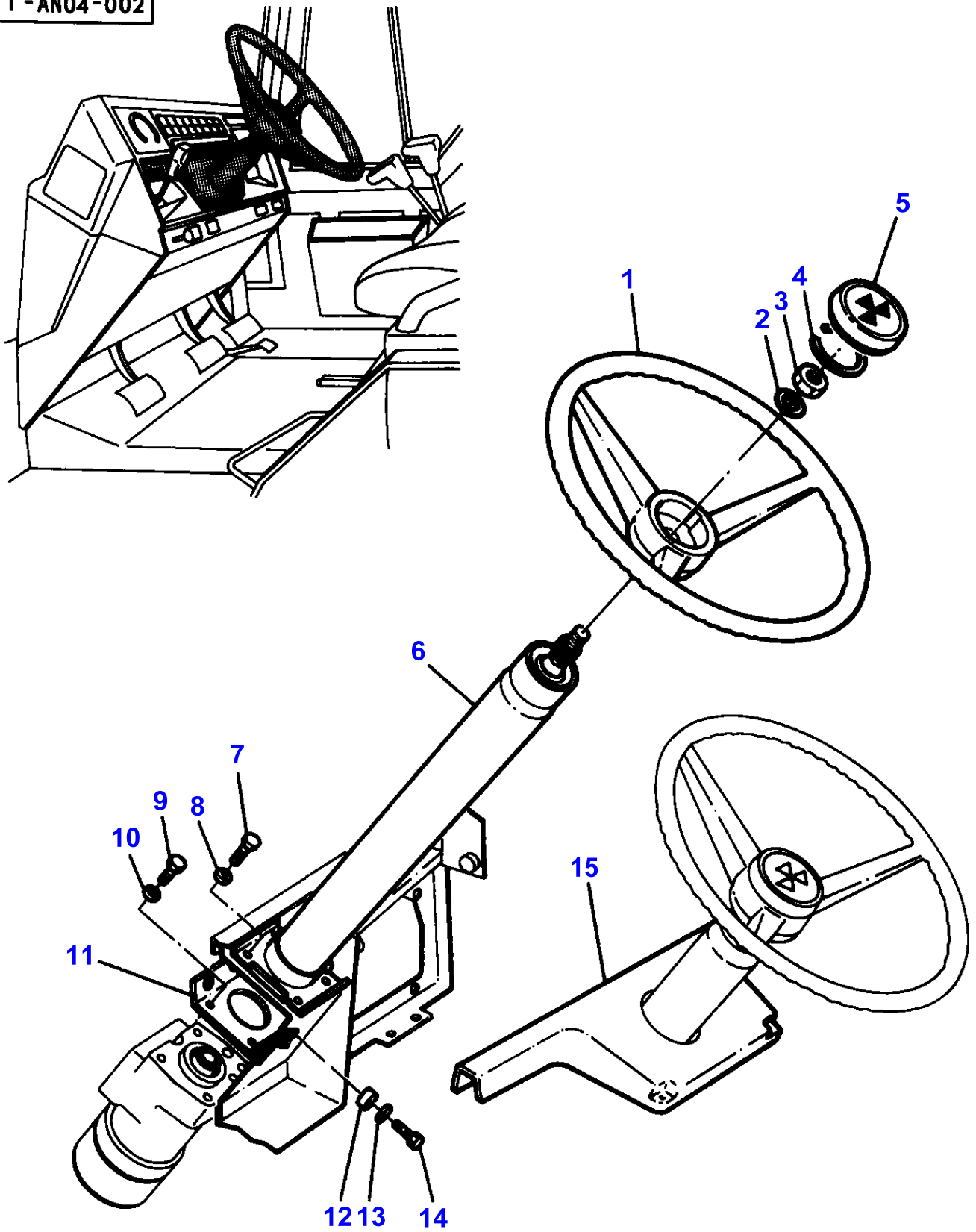
Item	Part Number	Qty	Description	Comments
				TELESCOPIC STEERING WHEEL - FROM NO A073022
1	3616272M91	1	Steering Column	
2	3900147M91	1	Bellows	(1)
3	3900150M91	1	Case Assy	(1)
4	1440475X1	1	Circlip	(1)
5	1440872X1	1	Bear. 6004 Rs	(1)
6	391345X1	1	Bear. 6206 2rs	(1)
7	3900243M91	1	Shaft	(1)
8	3900165M91	1	Column	(1)
9	3900242M91	1	Parts Pack	(1)
10	3900241M91	1	Column	(1)
11	3900164M91	1	Clevis Pin	(1)
12	3900146M91	1	Kit, Lever	(1)
13	3900168M91	1	Housing	(1)
14	3900167M91	1	Kit, Spring	(1)
15	3900166M91	1	Kit, Brake	(1)
16	3900156M91	1	Kit, Lever	(1)

1-AN12-005



Item	Part Number	Qty	Description	Comments
				TRACTOR WITH PLATFORM FROM C028030
1	3385796M2	1	Steering Wheel	
2	390585X1	1	Washer Metric	
3	339571X1	1	Nut Metric	
4	961714M1	1	Ring	
5	3618970M91	1	Helmet	
6	3387773M1	1	Column	
7	339124X1	4	Screw Metric	
8	1440921X1	4	Washer Metric	
9	362429X1	4	Screw	3/8"X16
10	353756X1	4	Washer	Diameter 3/8"
11	3388920M93	1	Support	
12	1619912M1	3	Vibration Mount	
13	3389958M1	6	Washer	
14	3009494X1	3	Screw Metric	
15		1	Panel	See Page - Reference Number 409/1
16	3618117M2	1	Commutator	
17	3007763X1	3	Screw Metric	M4X6
18	3618105M1	1	Support	
19	3618106M1	1	Support	
20	3619306M1	2	Stirrup	
21	391074X1	2	Screw Metric	M6X12
22	3010436X1	2	Screw Metric	M6X90
23	1441462X1	2	Locknut	
24	3618143M1	1	Housing	Top
25	3618144M1	1	Housing	Bottom
26	3618568M1	1	Connectors	
27		1	Harness	See Page - Reference Number 364/
28	3618116M2	1	Bellows	
29	3618152M1	1	Clamp	

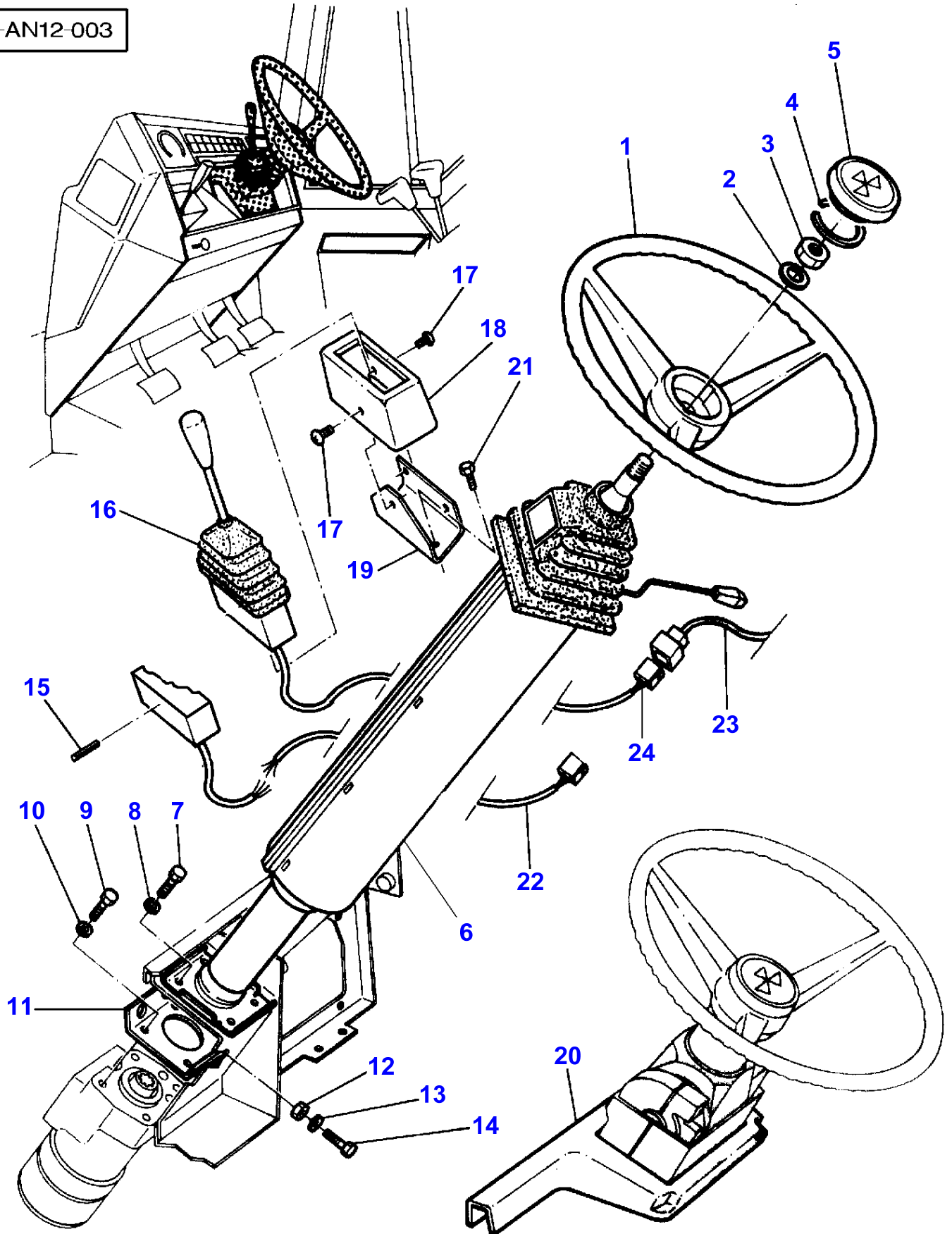
1-AN04-002



STEERING-STEERING WHEEL AND COLUMN

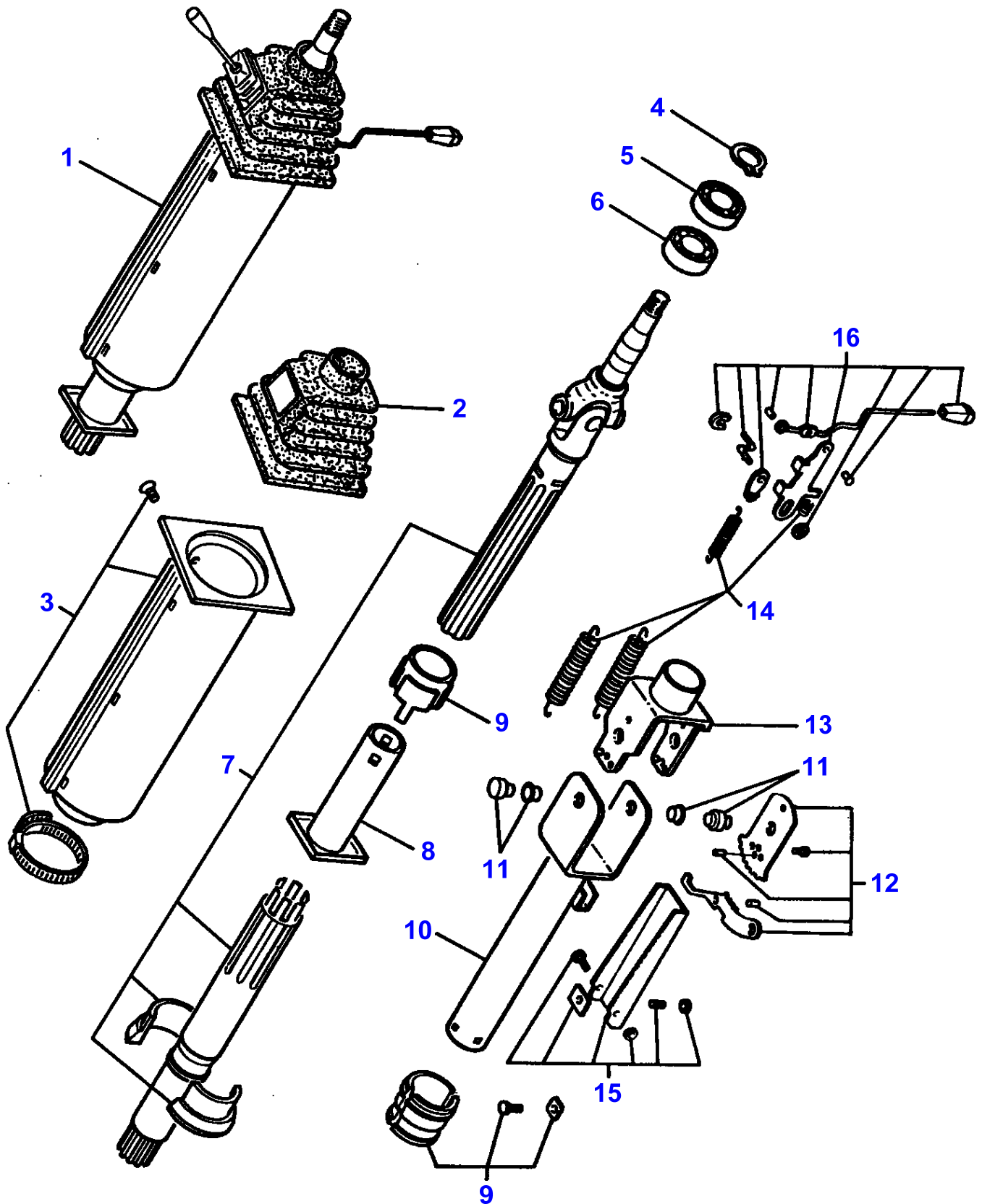
Item	Part Number	Qty	Description	Comments
1	3385796M2	1	Steering Wheel	
2	390585X1	1	Washer Metric	
3	339571X1	1	Nut Metric	
4	961714M1	1	Ring	
5	3618970M91	1	Helmet	
6	3387773M1	1	Column	
7	339124X1	4	Screw Metric	
8	1440921X1	4	Washer Metric	
9	362429X1	4	Screw	
10	353756X1	4	Washer	
11	3388920M93	1	Support	
12	1619912M1	3	Vibration Mount	
13	3389958M1	6	Washer	
14	3009494X1	3	Screw Metric	
15		1	Panel	See Page - Reference Number 418/

1-AN12-003



Item	Part Number	Qty	Description	Comments
				TELESCOPIC STEERING WHEEL
1	3385796M2	1	Steering Wheel	
2	390585X1	1	Washer Metric	
3	339571X1	1	Nut Metric	
4	961714M1	1	Ring	
5	3618970M91	1	Helmet	
6		1	Steering Column	See Page - Reference Number 251/
7	339124X1	4	Screw Metric	
8	1440921X1	4	Washer Metric	
9	362429X1	4	Screw	
10	353756X1	4	Washer	
11	3388920M93	1	Support	
12	1619912M1	3	Vibration Mount	
13	3389958M1	6	Washer	
14	3009494X1	3	Screw Metric	
15	330698X1	1	Pin	Up to Serial or Engine Number A164015
16	3618117M2	1	Commutator	
17	3007763X1	3	Screw Metric	
18	3618105M1	1	Support	
19	3618106M1	1	Support	
20		1	Panel	See Page - Reference Number 418/
21	391074X1	2	Screw Metric	
22	3618138M1	1	Harness	Up to Serial or Engine Number A164015
23		1	Harness	See Page - Reference Number 363/
24	3618568M1	1	Connectors	From Serial or Engine Number A164016

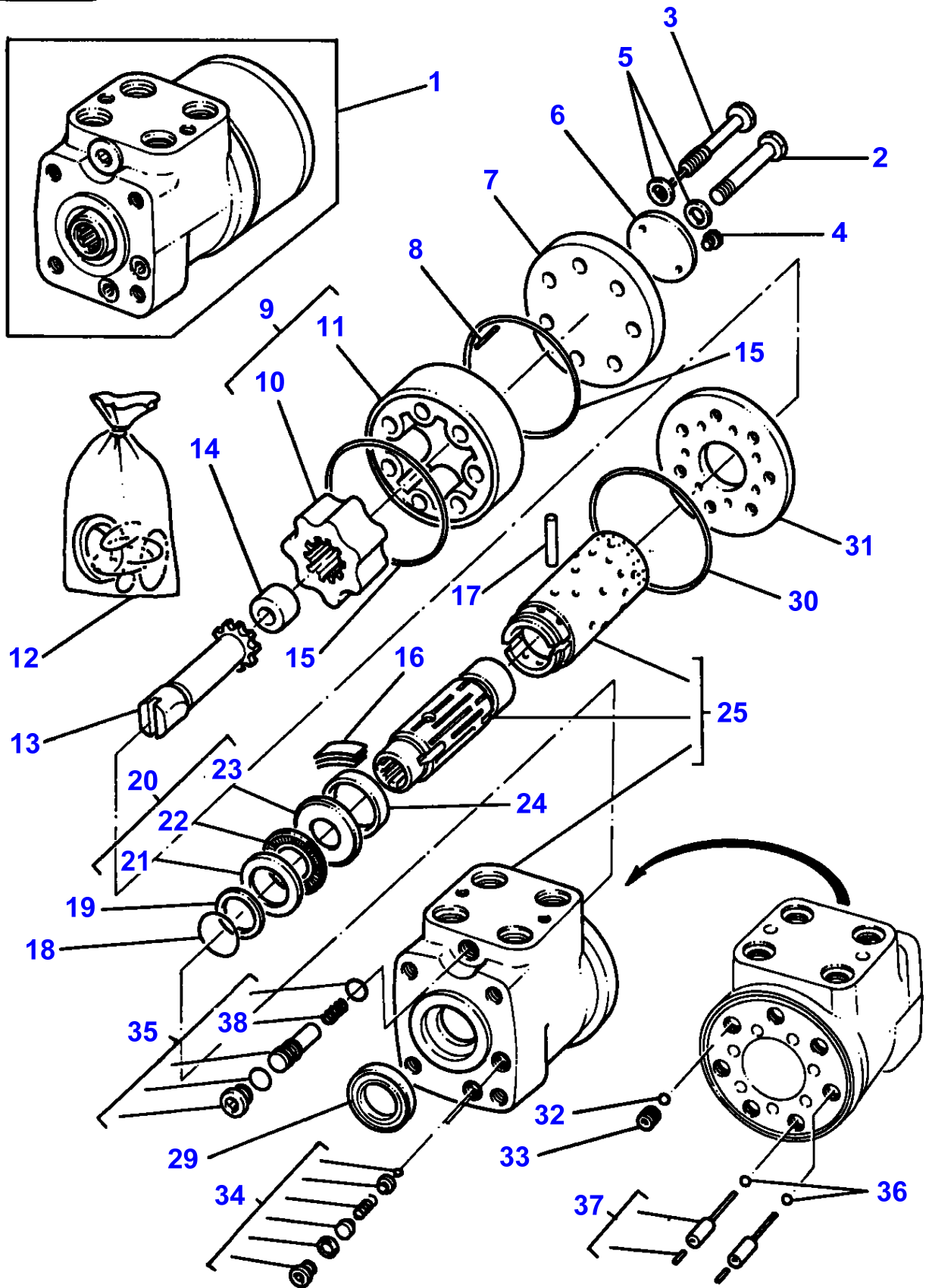
1-AN12-001



STEERING WHEEL AND COLUMN-DYNASHIFT VERSION

Item	Part Number	Qty	Description	Comments
1	3618141M92	1	Column	
2	3618116M2	1	Bellows	(1)
3	3900150M91	1	Case Assy	(1)
4	1440475X1	1	Circlip	(1)
5	1440872X1	1	Bear. 6004 Rs	(1)
6	391345X1	1	Bear. 6206 2rs	(1)
7	3900243M91	1	Shaft	(1)
8	3900165M91	1	Column	(1)
9	3900242M91	1	Parts Pack	(1)
10	3900241M91	1	Column	(1)
11	3900164M91	1	Clevis Pin	(1)
12	3900146M91	1	Kit, Lever	(1)
13	3900168M91	1	Housing	
14	3900167M91	1	Kit, Spring	(1)
15	3900166M91	1	Kit, Brake	(1)
16	3900156M91	1	Kit, Lever	(1)

1-AN07-003



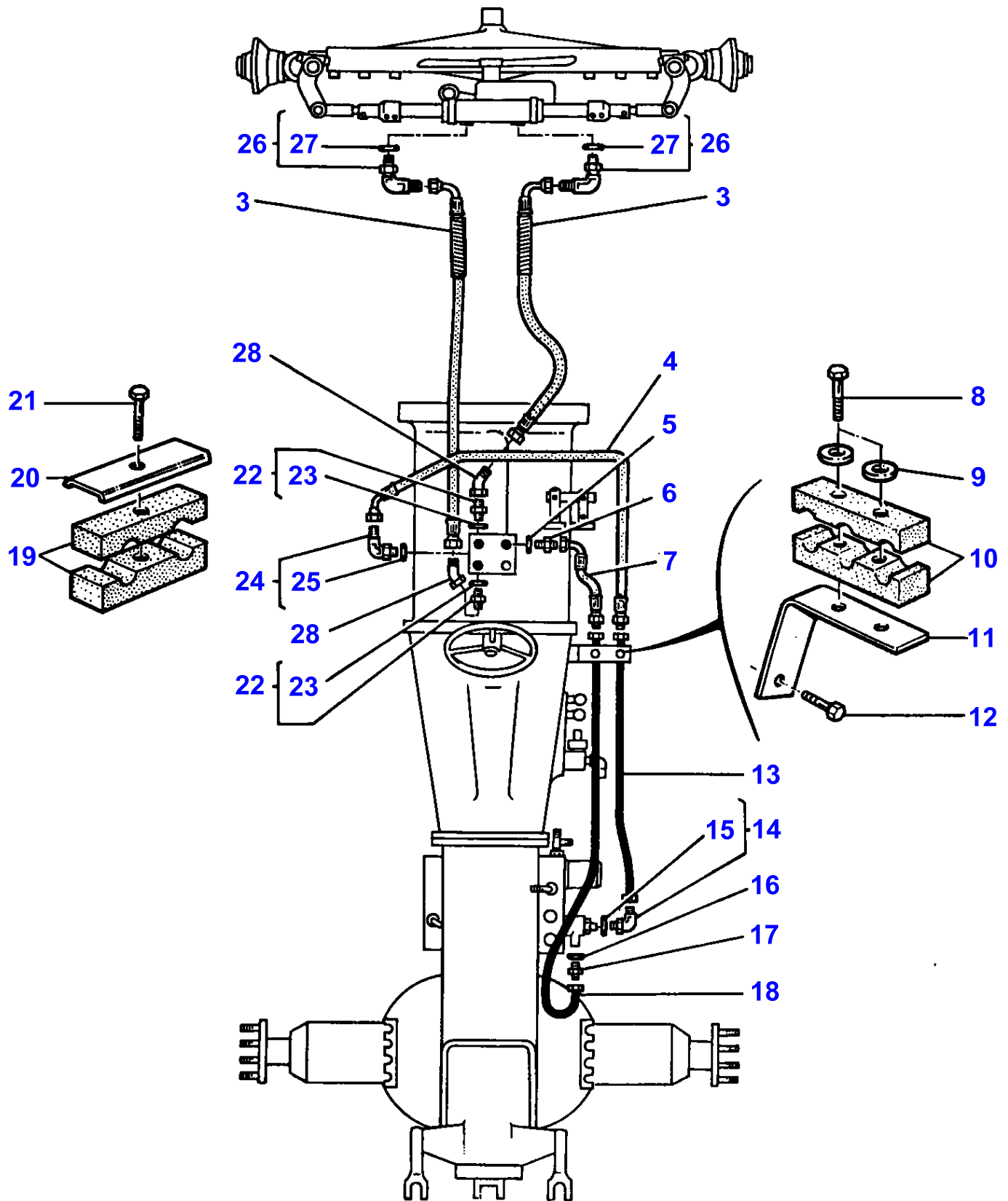
STEERING-STEERING PUMP - ORBITROL DANFOSS

Item	Part Number	Qty	Description	Comments
				ORBITROL DANFOSS
1	3386972M2	1	Distributor	[E] 200 CM3 Four Wheel Drive
1	3712250M1	1	Distributor	[A] 200 CM3 Four Wheel Drive
1	3712399M1	1	Distributor	[A] 125 CM3 Two Wheel Drive
1	3580443M1	1	Distributor	125 CM3 Two Wheel Drive
2	1887730M1	6	Screw	[C]
	1429154M1	6	Screw	[B]
3	1887727M1	1	Screw	[C]
	1429153M1	1	Screw	[B]
4	1806318M1	2	Screw	
5	1806317M1	7	Washer	
6	1890402M1	1	Plate	
7	1806316M1	1	Cap	
8	1806312M1	1	Pin	
9	1635884M91	1	Kit, Gear	[C]
	1429157M91	1	Kit, Gear	[B]
10		1	Gear	(9) Not serviced, order REF.9
11		1	Stator	(9) Not serviced, order REF.9
12	1810503M92	1	Parts Pack	
	1810503M92	1	Parts Pack	[A] 3902078M91
13	1806416M1	1	Shaft	
14	1635883M1	1	Spacer	[C]
	1429155M1	1	Spacer	[B]
15	1806315M1	2	Seal	
16	1894415M1	1	Spring	3902075M91
	1894415M1	1	Spring	[A] 3902075M91
17	1806310M1	1	Pin	
18		1	Seal	(12) Not serviced, order REF.12
19		1	Seal	(12) Not serviced, order REF.12
20	1894414M91	1	Bearing Assy	[C] 3902073M91
20	1887733M1	1	Kit, Gear	[B]
	1894414M91	1	Bearing Assy	[A] 3902073M91
21		1	Bearing Assy	(20) Not serviced, order REF.20
22		1	Bearing Assy	(20) Not serviced, order REF.20
23		1	Bearing Assy	(20) Not serviced, order REF.20
24	1806303M1	1	Bush	
	3902074M1	1	Bush	[A]
25		1	Pump	(1) Not serviced, order REF. 1
29	1887719M1	1	Seal	
30	1806314M1	1	Seal	
31	1806319M1	1	Plate	
32	1806311M1	1	Ball	
33	1806313M1	1	Seat	
34	1897432M91	2	Parts Pack	
	3902077M91	2	Parts Pack	[A]
35	3476502M91	1	Pressure Valve	
	3902076M91	1	Pressure Valve	[A]
36	1897434M1	2	Ball	
37	1897608M91	2	Roll Pin	
38		1	Spring	(35)

MASSEY FERGUSON**MF 3690 TRACTOR - 1637223****1637223****STEERING-STEERING PUMP - ORBITROL DANFOSS****252**

Item	Part Number	Qty	Description	Comments
				Not serviced, order REF.35
				[A] WITH LOAD SENSING
				[B] WITH DISTRIBUTOR 200 CM3
				[C] WITH DISTRIBUTOR 125 CM3
				[E] FRONT LIVE AXLE WITH TURNING ANGLE OF 50 DEGREE

1-AN06-009



STEERING HYDRAULIC LINES - 2 WHEEL DRIVE

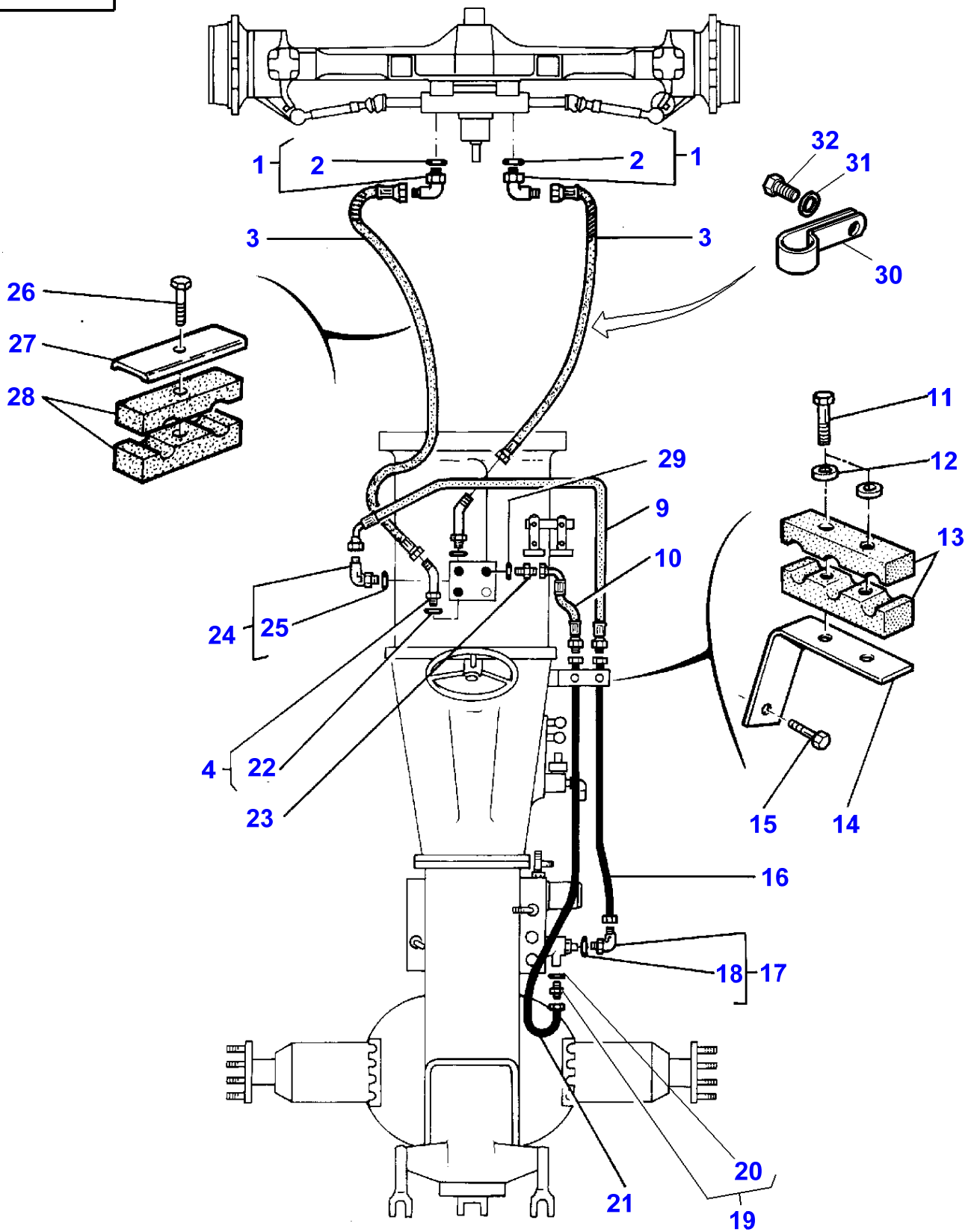
Item	Part Number	Qty	Description	Comments
				2 WHEEL DRIVE
3	3580592M92	2	Hydr Hose	Length 2850MM
	3617897M91	2	Hydr Hose	[A] Length 3500MM
4	3384202M1	1	Hydr Hose	
	3712445M3	1	Hydr Hose	[B]
5	1852568M1	1	O Ring	
	3019397X1	1	O Ring	[B]
6	358734X1	1	Union	
	3019383X91	1	Adaptor	[B]
7	3386645M2	1	Hydr Hose	
	3713614M1	1	Exhaust Pipe	[B]
8	391244X1	2	Bolt Metric	
9	339588X1	2	Washer	
10	3387466M1	2	Bridle	
11	3387491M92	1	Support	
12	354702X1	1	Screw	
13	3387365M92	1	Tube	
14	358760X91	1	Elbow	
15	831495M1	1	O Ring	(14)
16	3019397X1	1	O Ring	
17	3019383X91	1	Adaptor	
18	3387367M94	1	Tube	
19	3040060M1	2	Block	
	3040060M1	4	Block	[A]
20	1626672M2	1	Bridle	
	1626672M2	2	Bridle	[A]
21	339011X1	1	Bolt Metric	
	339011X1	2	Bolt Metric	[A]
22	360202X91	2	Union	
	3019601X91	2	Adaptor	[B]
23	1852568M1	1	O Ring	(22)
	3019397X1	1	O Ring	[B] (22)
24	358760X91	1	Elbow	
	3019410X91	1	Elbow Nipple	[B]
25	831495M1	1	O Ring	(24)
	3019394X1	1	O Ring	[B] (24)
26	3019412X91	2	Elbow	
27	3019395X1	1	O Ring	(26)
28	373783X1	2	Elbow	135'
	358782X91	2	Elbow	[B]
	378082X91	2	Adaptor	[C]
	3019588X91	2	Union	
	3019383X91	2	Adaptor	[B,C]

[A]
FOR FRONT P.T.O.

[B]
WITH LOAD SENSING

[C]
WITH ASSISTED BRAKE

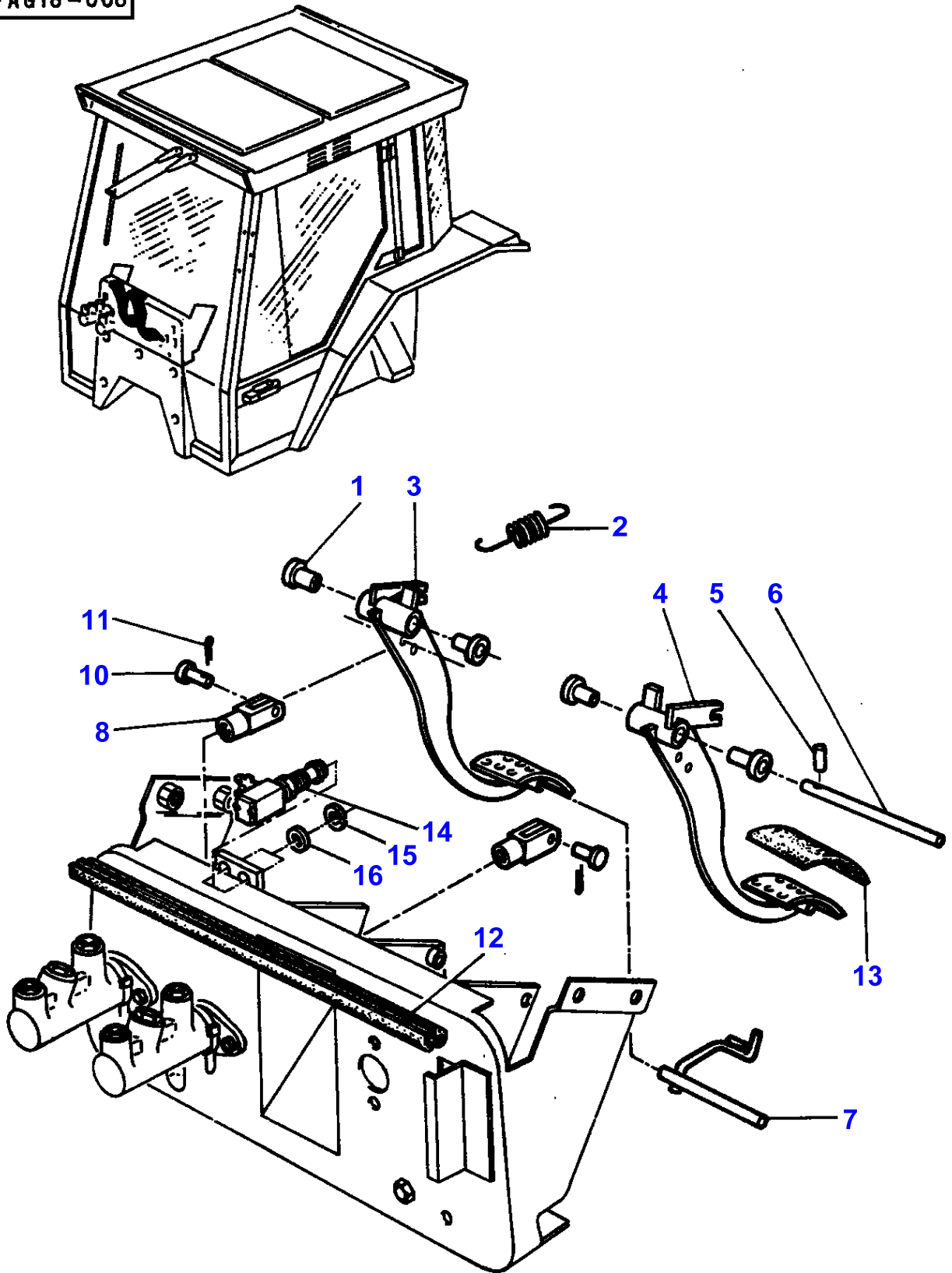
1-AN06-506-A



STEERING HYDRAULIC LINES - 4 WHEELS DRIVE

Item	Part Number	Qty	Description	Comments
				4 WHEELS DRIVE
1	3019414X91	2	Union	
2	3019396X1	1	O Ring	(1)
3	3580591M92	2	Hydr Hose	Length 2850MM
	3617894M91	2	Hydr Hose	[A] Length 3500MM
4	358782X91	2	Elbow	
	378082X91	2	Adaptor	[B,D]
	3019588X91	2	Union	[C]
	3019383X91	1	Adaptor	[C,D]
9	3384202M1	1	Hydr Hose	
	3712445M3	1	Hydr Hose	[C]
10	3386645M2	1	Hydr Hose	
	3713614M1	1	Exhaust Pipe	[C]
11	391244X1	2	Bolt Metric	
12	391038X1	2	Washer Metric	
13	3387466M1	2	Bridle	
14	3387491M92	1	Support	
15	354702X1	1	Screw	
16	3387365M92	1	Tube	
17	358760X91	1	Elbow	
18	831495M1	1	O Ring	(17)
19	3019383X91	1	Adaptor	
20	3019397X1	1	O Ring	(19)
21	3387367M94	1	Tube	
22	1852568M1	3	O Ring	(4)
	3019394X1	1	O Ring	[C] (4)
23	358734X1	1	Union	
	378082X91	1	Adaptor	[B]
	3019383X91	1	Adaptor	[C]
24	358760X91	1	Elbow	
	3019410X91	1	Elbow Nipple	[C]
25	831495M1	1	O Ring	(24)
	3019394X1	1	O Ring	[C] (24)
26	339168X1	1	Bolt Metric	M8X50
	339168X1	2	Bolt Metric	[A] M8X50
27	3387866M1	1	Plate	
	3616114M1	1	Bridle	[B]
	3387866M1	2	Plate	[A]
28	3387865M1	2	Bridle	
	3387865M1	4	Bridle	[A]
29	1852568M1	1	O Ring	
	3019397X1	1	O Ring	[C] (23)
30	3581424M1	1	Clamp	[B]
31	3019560X1	1	Washer	[B] Diameter 5MM
32	339721X1	1	Screw Metric	[B] M5X16
				[A] FOR FRONT P.T.O.
				[B] AUSTRIA
				[C] WITH LOAD SENSING
				[D] WITH ASSISTED BRAKE

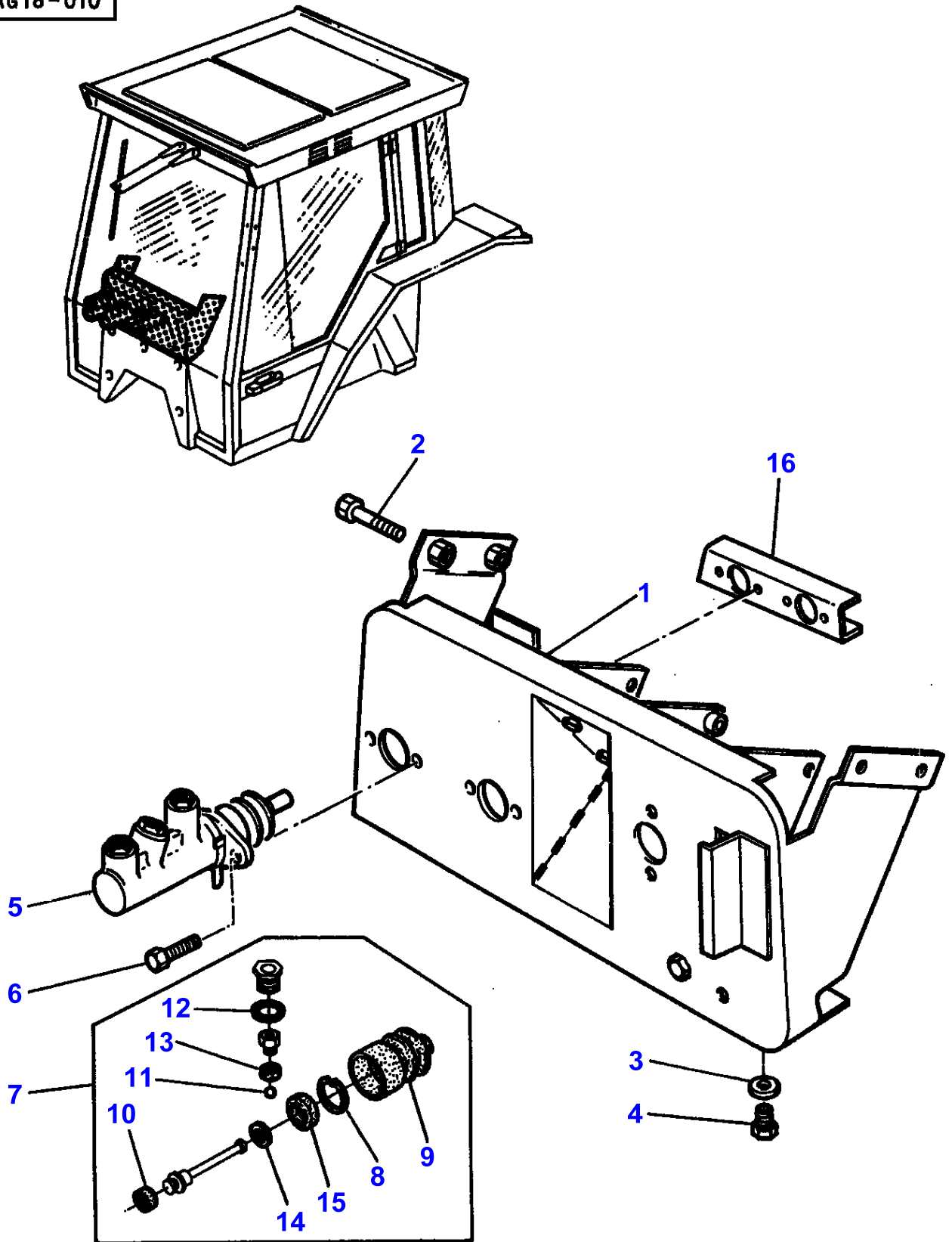
1-AG16-006



BRAKES-PEDALS

Item	Part Number	Qty	Description	Comments
1	3385604M1	4	Bearing	
2	3384657M1	2	Spring	
3	3583924M2	1	Pedal	Right Hand
4	3583925M1	1	Pedal	Left Hand
5	391290X1	1	Pin	5X30
6	3384654M1	1	Clevis Pin	
7	3583930M2	1	Latch	
8	3385612M3	2	Clevis	Length 51MM
10	3019213X1	2	Clevis Pin	
11	357146X1	2	Pin	
12	3389739M1	1	Gasket	Length 1405MM
13	1626321M2	2	Skate	
14	3617693M1	2	Switch,Indirect	Repairs and replaces 3616510M1
15	3617264M1	2	Washer	
16	353756X1	2	Washer	

1-AG18-010



BRAKES-MASTER CYLINDER

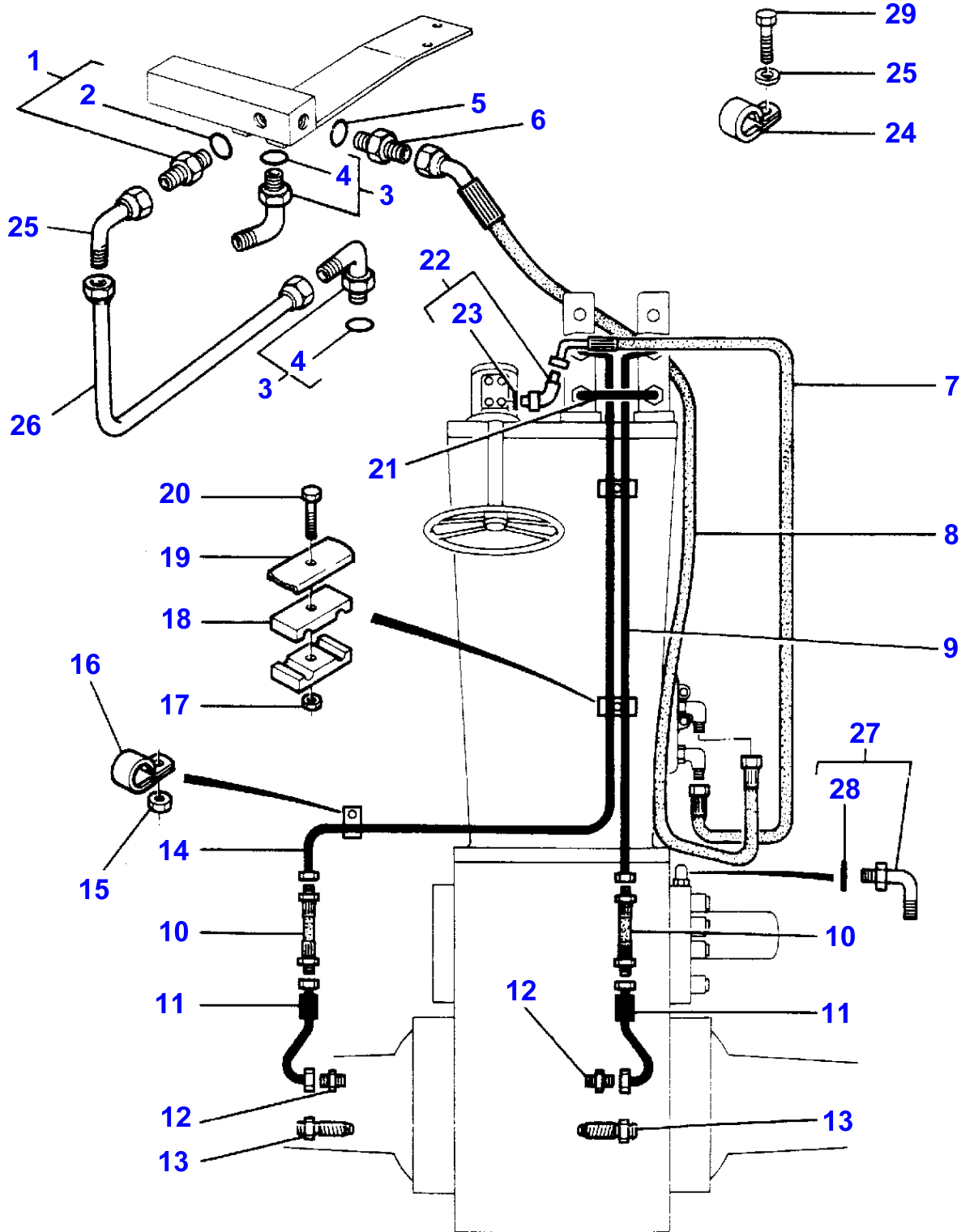
Item	Part Number	Qty	Description	Comments
1	3616239M93	1	Support	
2	339228X1	4	Screw Metric	M8X12
3	390972X1	6	Washer Metric	
4	339124X1	2	Screw Metric	M8X16
	339123X1	4	Screw Metric	M8X20
	339169X1	6	Nut Metric	
5	3384685M3	2	Main Cylinder	[A,B]
6	339761X1	4	Screw Metric	M8X25
7	1810832M91	1	Kit, Repair	5
8		1	Clip	(7)
				Not serviced, order REF.NO 7
9		1	Bellows	(7)
				Not serviced, order REF.NO 7
10		1	Gasket	(7)
				Not serviced, order REF.NO 7
11		1	Ball	(7)
				Not serviced, order REF.NO 7
12		1	Gasket	(7)
				Not serviced, order REF.NO 7
13		1	Gasket	(7)
				Not serviced, order REF.NO 7
14		1	Cup Spring	(7)
				Not serviced, order REF.NO 7
15		1	Gasket	(7)
				Not serviced, order REF.NO 7
16	3617305M92	1	Reinforcement	

[A]
WITH TRAILOR BRAKING ON RIGHT PEDAL

[B]
WITHOUT TRAILOR BRAKE

[C]
WITH MECHANICAL BRAKING TRAILOR CONTROL 1 LIGNE

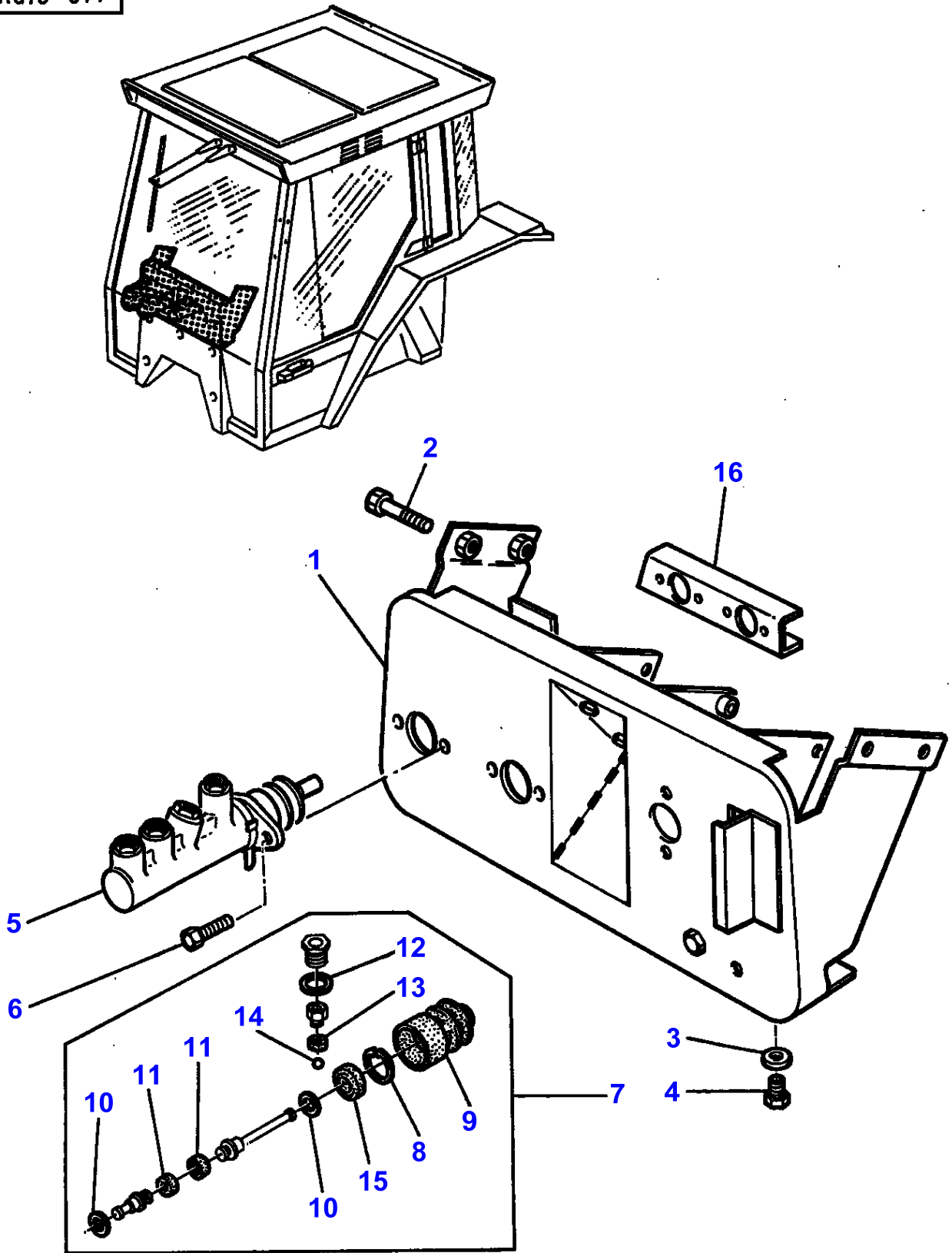
1-AG34-025



MANUAL BRAKING HYDRAULICS

Item	Part Number	Qty	Description	Comments
1	3019379X91	1	Union	
2	3019395X1	1	O Ring	(1)
3	3019412X91	3	Elbow	
4	3019395X1	1	O Ring	(3)
5	3019395X1	1	O Ring	
6	3581988M1	1	Union	
7	3580804M2	1	Hydr Hose	
8	3582237M1	1	Hydr Hose	
9	3386838M92	1	Tube	Up to Serial or Engine Number A321002
	3617360M92	1	Tube	From Serial or Engine Number A321003
10	3386659M2	2	Hydr Hose	Up to Serial or Engine Number D159049
	3715107M1	2	Hydr Hose	From Serial or Engine Number D159050
11	3581293M91	1	Tube	Right Hand
	3581295M91	1	Tube	Left Hand
12	356303X1	2	Union	
13	3052960M1	2	Banjo Bolt	
14	3386840M92	1	Tube	Up to Serial or Engine Number A321002
	3617362M92	1	Tube	From Serial or Engine Number A321003
15	339030X1	1	Nut Metric	
16	3581132M1	1	Clamp	
17	339030X1	1	Nut Metric	
18	3384779M1	5	Bridle	
19	1625982M2	2	Plate	
20	339262X1	1	Bolt Metric	
21	3387560M93	1	Tube	Up to Serial or Engine Number A162023
	3617356M92	1	Tube	From Serial or Engine Number A162024
22	358782X91	1	Elbow	
23	1852568M1	1	O Ring	(22)
24	3581131M1	1	Clamp	
25	390971X1	1	Washer Metric	
26	3581693M2	2	Tube	Up to Serial or Engine Number B349009 Length 380MM
26	3619935M1	2	Tube	From Serial or Engine Number B349010 Length 320MM
26	3581693M2	2	Tube	Up to Serial or Engine Number 05/94 From Serial or Engine Number 05/94 Length 380MM
27	3019412X91	1	Elbow	
28	3019395X1	1	O Ring	(27)
29	339560X1	1	Screw Metric	

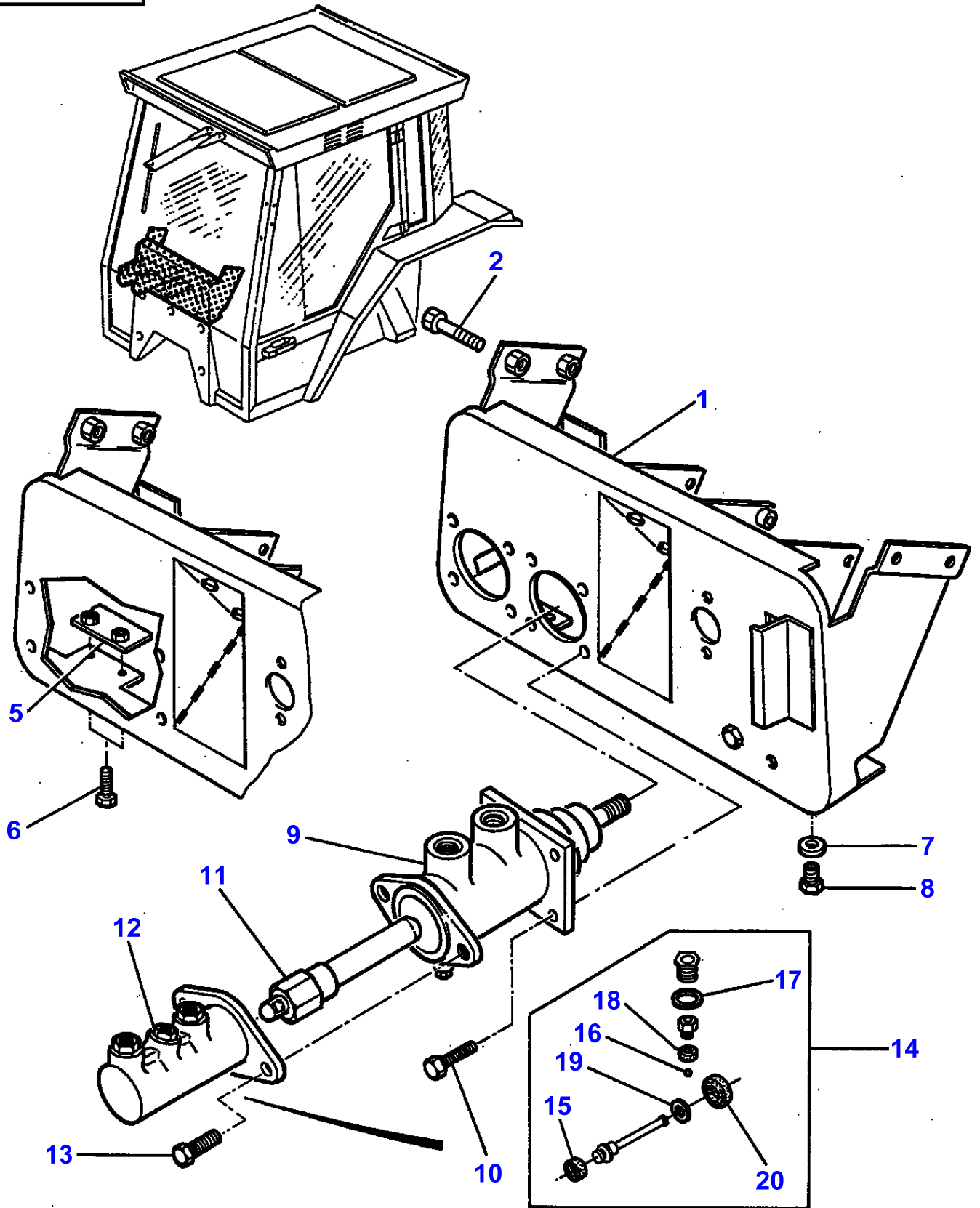
1-AG18-011



BRAKES-MASTER CYLINDER

Item	Part Number	Qty	Description	Comments
1	3616239M93	1	Support	
2	339124X1	4	Screw Metric	M8X16
3	390972X1	6	Washer Metric	
4	339124X1	2	Screw Metric	M8X16
	339123X1	4	Screw Metric	M8X20
	339169X1	6	Nut Metric	
5	3383079M5	2	Main Cylinder	
6	339761X1	4	Screw Metric	
7	1810833M91	1	Kit, Repair	(5)
8		1	Clip	(7)
				Not serviced, order REF NO 7
9		1	Bellows	(7)
				Not serviced, order REF NO 7
10		2	Cup Spring	(7)
				Not serviced, order REF NO 7
11		2	Gasket	(7)
				Not serviced, order REF NO 7
12		1	Gasket	(7)
				Not serviced, order REF NO 7
13		1	Gasket	(7)
				Not serviced, order REF NO 7
14		1	Ball	(7)
				Not serviced, order REF NO 7
15		1	Gasket	(7)
				Not serviced, order REF NO 7
16	3617305M92	1	Reinforcement	

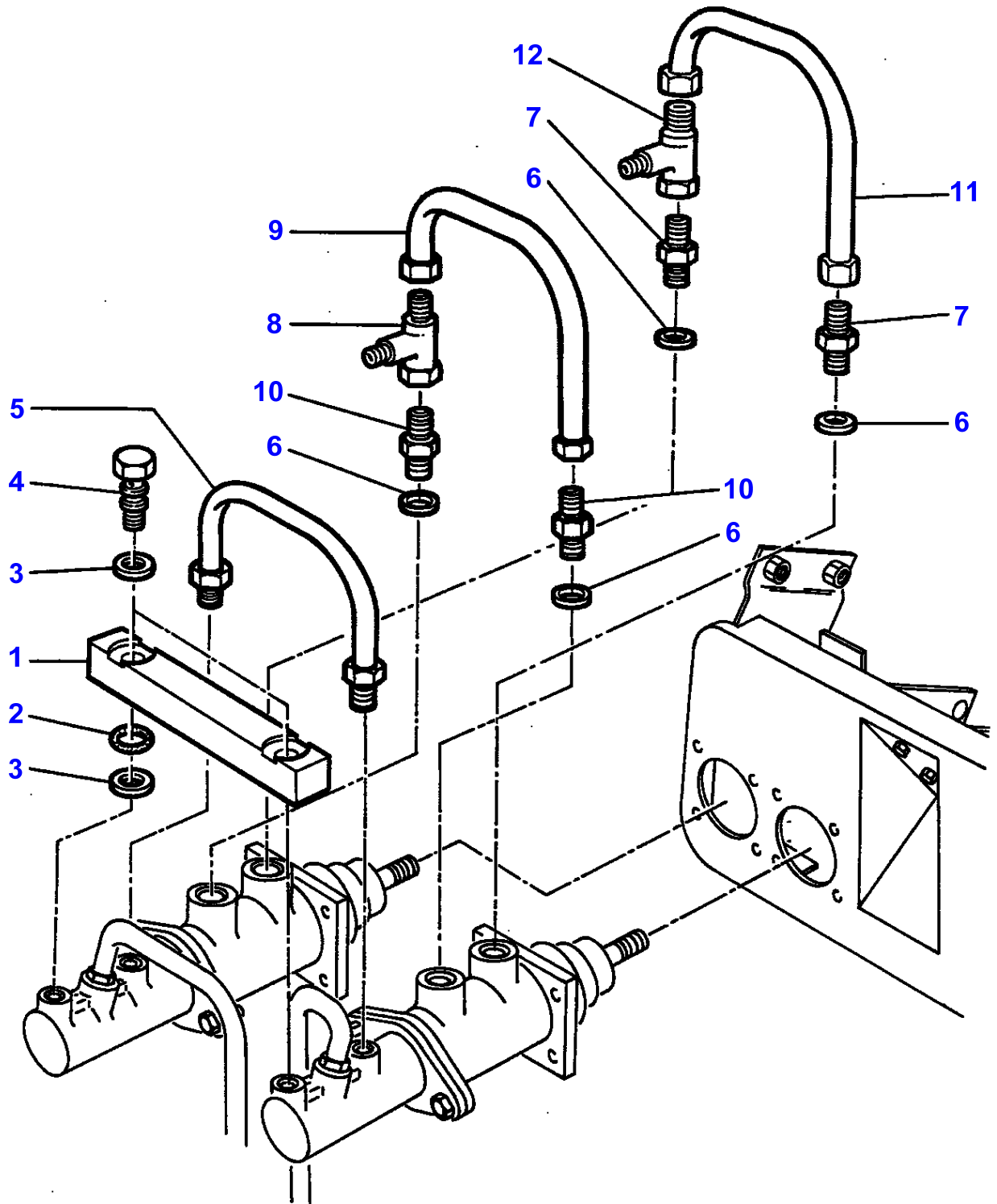
1-AG18-005



BRAKES-MASTER CYLINDER

Item	Part Number	Qty	Description	Comments
1	3616240M93	1	Support	
2	339124X1	4	Screw Metric	
3	3384651M91	1	Support	
5	3384653M92	1	Stop	
6	391074X1	2	Screw Metric	
7	390972X1	6	Washer Metric	
8	339124X1	2	Screw Metric	M8X16
	339123X1	4	Screw Metric	M8X20
	339169X1	6	Nut Metric	
9	3383344M2	2	Brake Cylinder	[C]
	3617596M1	2	Brake Cylinder	From Serial or Engine Number S207019
10	339761X1	8	Screw Metric	
11	3384703M91	2	Tappet Rod	[C]
	3617594M91	2	Stem	From Serial or Engine Number S207019
12	3383079M5	2	Main Cylinder	[A]
	3384685M3	2	Main Cylinder	[B]
13	339761X1	4	Screw Metric	
14	1810832M91	1	Kit, Repair	(12)
15		1	Gasket	(14)
				Not serviced, order REF NO 14
16		1	Ball	(14)
				Not serviced, order REF NO 14
17		1	Gasket	(14)
				Not serviced, order REF NO 14
18		1	Gasket	(14)
				Not serviced, order REF NO 14
19		1	Cup Spring	(14)
				Not serviced, order REF NO 14
20		1	Gasket	(14)
				Not serviced, order REF NO 14
				[A] WITH TRAILOR BRAKING
				[B] WITHOUT TRAILOR BRAKE
				[C] UP TO SERIAL NUMBER S207018ORDER 3617655M00

1-AG32-004

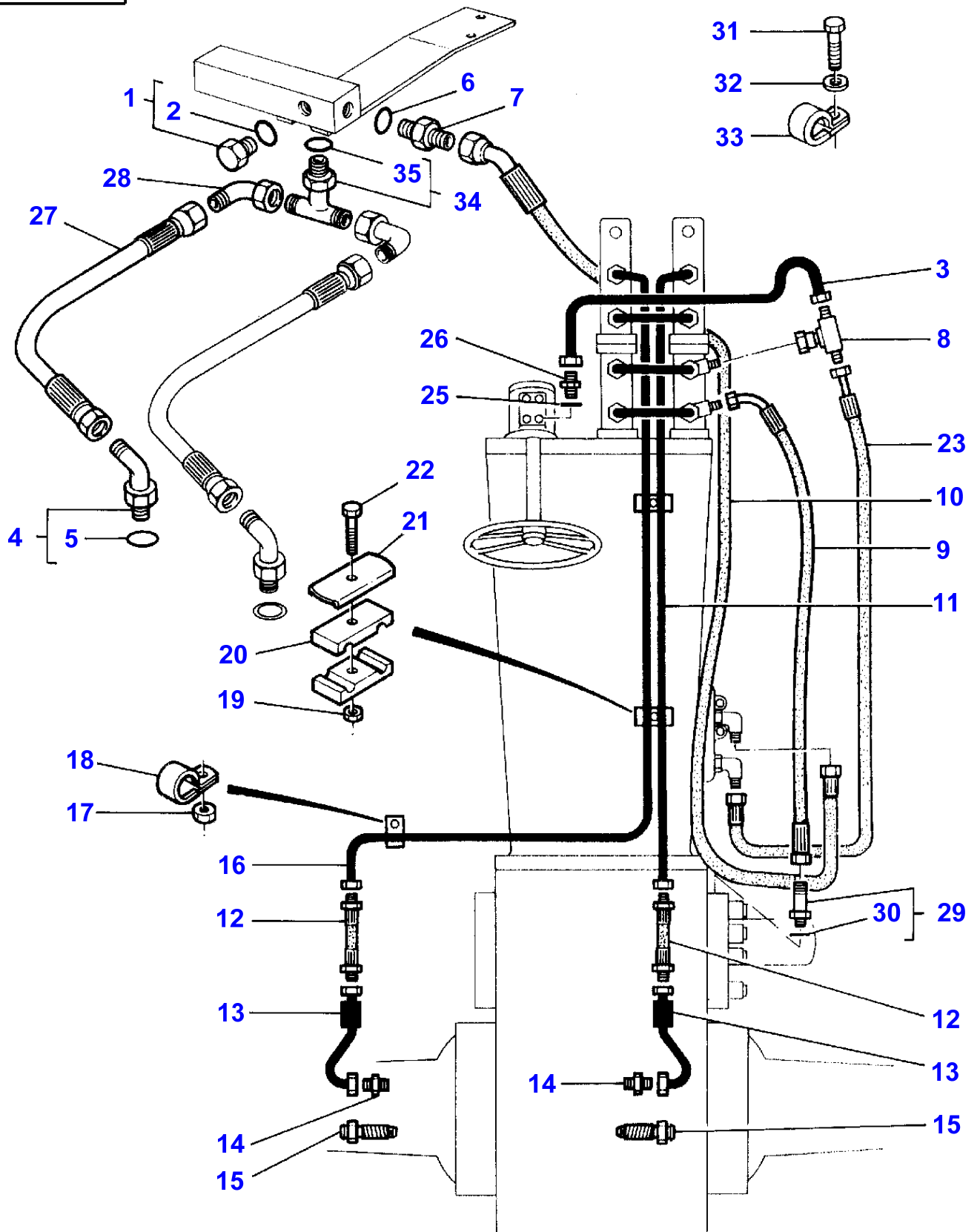


BRAKE PIPES AND MASTER CYLINDER

Item	Part Number	Qty	Description	Comments
1	3581463M2	1	Bar	[A]
2	3019395X1	2	O Ring	[A]
3	3581464M1	4	Bush	[A]
4	3581491M1	2	Banjo Bolt	[A]
5	3386681M91	1	Tube	
6	3004861X1	4	Gasket	
7	3019574X1	2	Union	
8	364735X1	1	Union	
9	3387574M91	1	Tube	
10	3019382X1	1	Union	
11	3386678M91	1	Tube	
12	377218X1	1	Teepiece	

[A]
WITH TRAILOR BRAKING

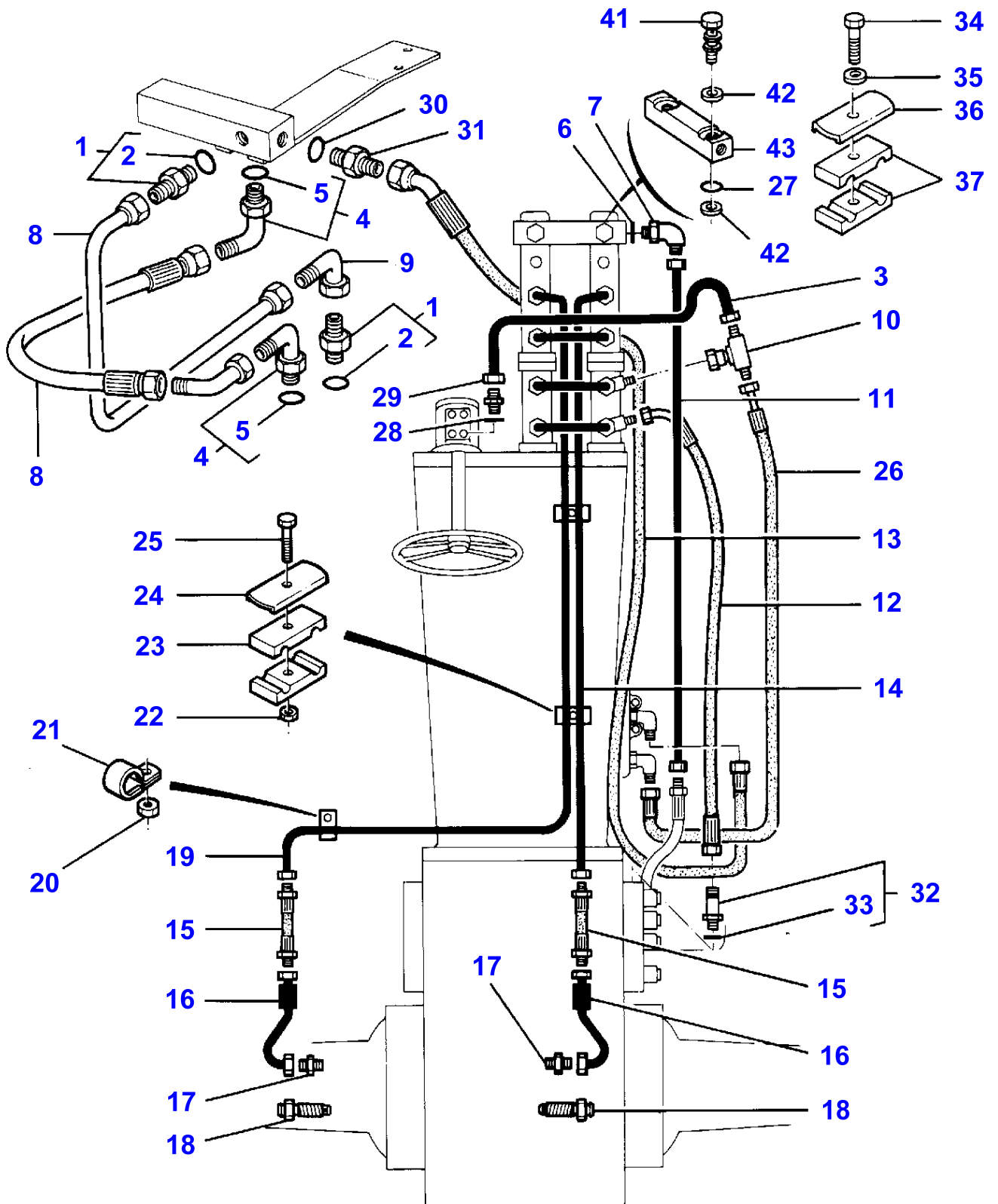
1-AG33-016



POWER BRAKING CYLINDERS - WITHOUT TRAILER BRAKING

Item	Part Number	Qty	Description	Comments
				WITHOUT TRAILER BRAKING
1	3019639X91	2	Plug	
2	3019395X1	1	O Ring	(1)
3	3580605M91	1	Tube	
4	3019584X91	2	Union	135
5	3019395X1	1	O Ring	(4)
6	3019395X1	1	O Ring	
7	3581988M1	1	Union	
8	372543X1	1	Union	
9	3386654M1	1	Hydr Hose	
10	3582237M1	1	Hydr Hose	
11	3386834M92	1	Tube	
12	3386659M2	2	Hydr Hose	Up to Serial or Engine Number D159049
	3715107M1	2	Hydr Hose	From Serial or Engine Number D159050
13	3581293M91	1	Tube	Right Hand
	3581295M91	1	Tube	Left Hand
14	356303X1	2	Union	
15	3052960M1	2	Banjo Bolt	
16	3386834M92	1	Tube	
17	339030X1	1	Nut Metric	
18	3581132M1	1	Clamp	
19	339030X1	1	Nut Metric	
20	3384779M1	X	Bridle	Width 12,7MM Length 41MM
20	3713287M1	X	Block	Width 25MM Length 66MM
21	1625982M2	X	Plate	Width 14,2MM Length 41,2MM
21	3713286M1	X	Bridle	Width 28MM Length 66MM
22	1440953X1	1	Nut Metric	
23	3386653M2	1	Hydr Hose	
25	1852568M1	1	O Ring	
26	358734X1	1	Union	
27	3616508M2	2	Hydr Hose	Up to Serial or Engine Number C146005
	3581693M2	2	Tube	From Serial or Engine Number C146006
28	364603X1	2	Elbow	
29	3019623X91	1	Union	Up to Serial or Engine Number
30	3019395X1	1	O Ring	(29)
31	339560X1	1	Screw Metric	
32	390971X1	1	Washer Metric	
33	3581131M1	1	Clamp	
34	3019607X91	1	Teepiece	
35	3019395X1	1	O Ring	(34)

1-AG33-017

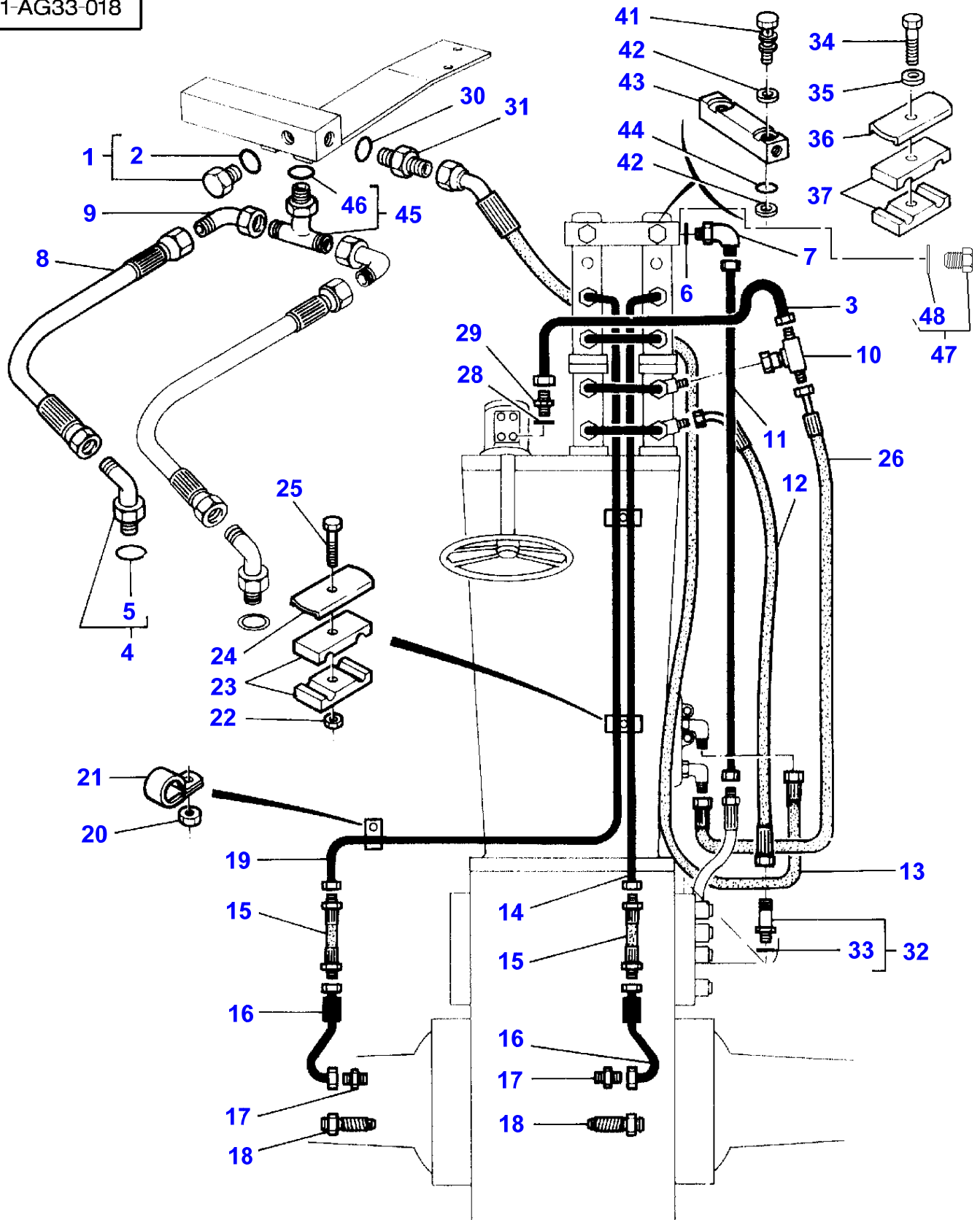


POWER BRAKING CYLINDERS

Item	Part Number	Qty	Description	Comments
1	3019379X91	2	Union	
2	3019395X1	1	O Ring	(1)
3	3580605M91	1	Tube	
4	3019412X91	2	Elbow	
5	3019395X1	1	O Ring	(4)
6	3019395X1	1	O Ring	
7	3019695X1	1	Elbow Nipple	
8	3581693M2	2	Tube	
9	364603X1	1	Elbow	
10	372543X1	1	Union	
11	3387657M92	1	Tube	
12	3386654M1	1	Hydr Hose	
13	3582237M1	1	Hydr Hose	
14	3387628M93	1	Tube	
15	3386659M2	2	Hydr Hose	Up to Serial or Engine Number D159049
	3715107M1	2	Hydr Hose	From Serial or Engine Number D159050
16	3581293M91	1	Tube	Right Hand
	3581295M91	1	Tube	Left Hand
17	356303X1	2	Union	
18	3052960M1	2	Banjo Bolt	
19	3387630M93	1	Tube	
20	339030X1	1	Nut Metric	
21	3581132M1	1	Clamp	
22	339030X1	1	Nut Metric	
23	3384779M1	X	Bridle	Width 12,7MM Length 41MM
23	3713287M1	X	Block	Width 25MM Length 66MM
24	1625982M2	X	Plate	Width 14,2MM Length 41,2MM
24	3713286M1	X	Bridle	Width 28MM Length 66MM
25	339262X1	1	Bolt Metric	
26	3386653M2	1	Hydr Hose	
27	3019395X1	2	O Ring	
28	1852568M1	1	O Ring	
29	358734X1	1	Union	
30	3019395X1	1	O Ring	
31	3581988M1	1	Union	
32	3019623X91	1	Union	Up to Serial or Engine Number
33	3019395X1	1	O Ring	(32)
34	1441268X1	1	Screw Metric	M6X30
35	390971X1	1	Washer Metric	
36	1626672M2	1	Bridle	
	3713286M1	1	Bridle	[A]
37	3320043M1	2	Block	
	3713287M1	2	Block	[A]
41	3581491M1	2	Banjo Bolt	
42	3581464M1	4	Bush	
43	3581463M2	1	Bar	

[A]
WITH WET CLUTCH

1-AG33-018



POWER BRAKING CYLINDERS

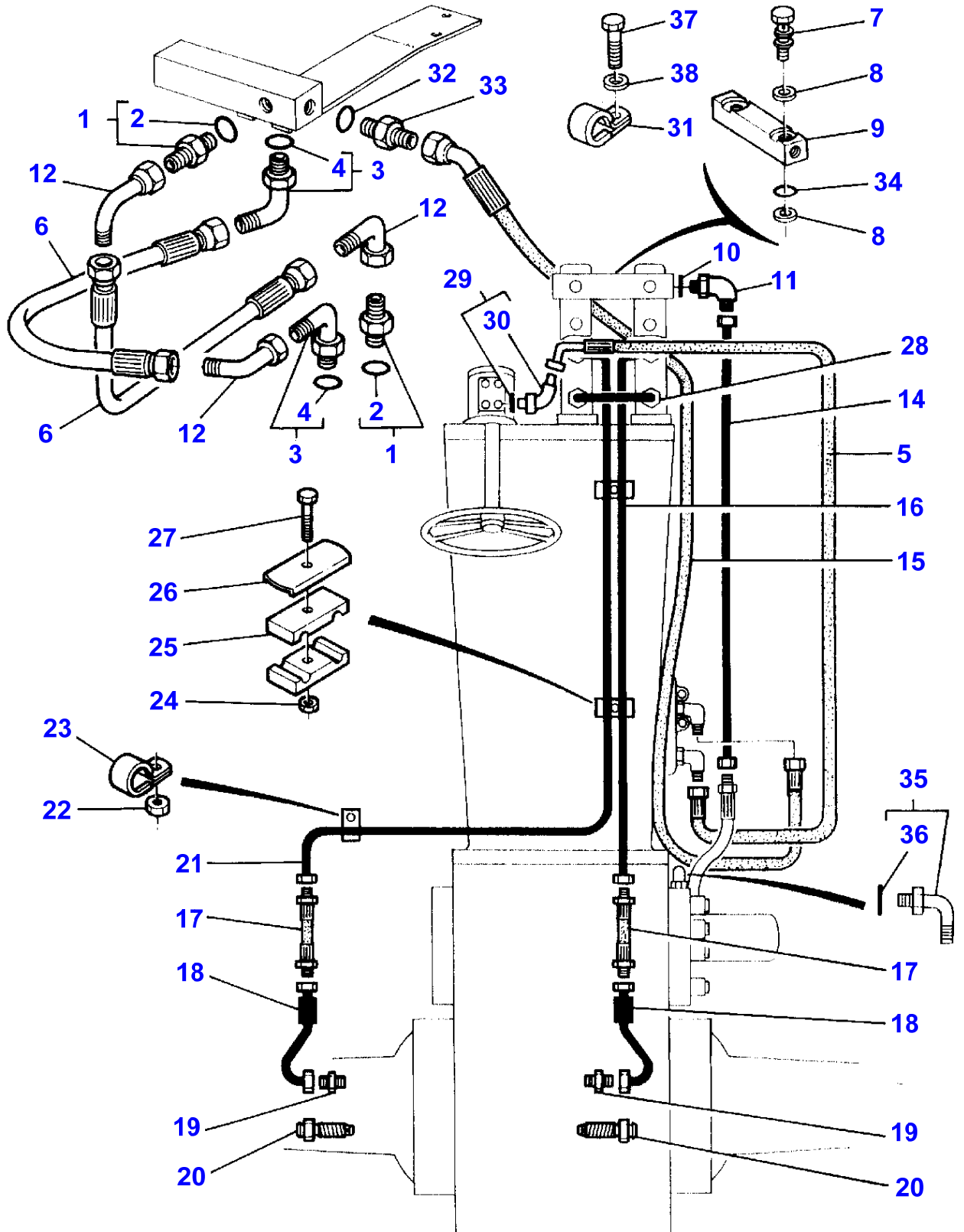
Item	Part Number	Qty	Description	Comments
1	3019639X91	1	Plug	
2	3019395X1	1	O Ring	(1)
3	3580605M91	1	Tube	
4	3019584X91	2	Union	135'
5	3019395X1	1	O Ring	(4)
6	3019395X1	1	O Ring	[A]
7	3019695X1	1	Elbow Nipple	[A]
8	3616508M2	2	Hydr Hose	Up to Serial or Engine Number C146005 Length 240MM
8	3616508M2	2	Hydr Hose	[B] Length 240MM Up to Serial or Engine Number 05/94 From Serial or Engine Number C146006 Length 380MM
8	3581693M2	2	Tube	
9	364603X1	2	Elbow	
10	372543X1	1	Union	
11	3387657M92	1	Tube	[A]
12	3386654M1	1	Hydr Hose	
13	3582237M1	1	Hydr Hose	
14	3387628M93	1	Tube	
15	3386659M2	2	Hydr Hose	Up to Serial or Engine Number D159049
	3715107M1	2	Hydr Hose	From Serial or Engine Number D159050
16	3581293M91	1	Tube	Right Hand
	3581295M91	1	Tube	Left Hand
17	356303X1	2	Union	
18	3052960M1	2	Banjo Bolt	
19	3387630M93	1	Tube	
20	339030X1	1	Nut Metric	
21	3581132M1	1	Clamp	
22	339030X1	1	Nut Metric	
23	3384779M1	X	Bridle	Width 12,7MM Length 41MM
23	3713287M1	X	Block	Width 25MM Length 66MM
24	1625982M2	X	Plate	Width 14,2MM Length 41,2MM
24	3713286M1	X	Bridle	Width 28MM Length 66MM
25	339262X1	1	Bolt Metric	
26	3386653M2	1	Hydr Hose	
28	1852568M1	1	O Ring	
29	358734X1	1	Union	
30	3019395X1	1	O Ring	
31	3581988M1	1	Union	
32	3019623X91	1	Union	Up to Serial or Engine Number
33	3019395X1	1	O Ring	(32)
34	1441268X1	1	Screw Metric	M6X30
35	390971X1	1	Washer Metric	
36	1626672M2	1	Bridle	
	3713286M1	1	Bridle	[C]
37	3320043M1	2	Block	
	3713287M1	2	Block	[C]
41	3581491M1	2	Banjo Bolt	
42	3581464M1	4	Bush	
43	3581463M2	1	Bar	
44	3019395X1	2	O Ring	
45	3019607X91	1	Teepiece	
46	3019395X1	1	O Ring	(45)
47	3019639X91	1	Plug	[B]
48	3019395X1	1	O Ring	[B] (47)

[A]
AUSTRIA EXCEPTED

[B]
AUSTRIA ONLY

[C]
WITH WET CLUTCH

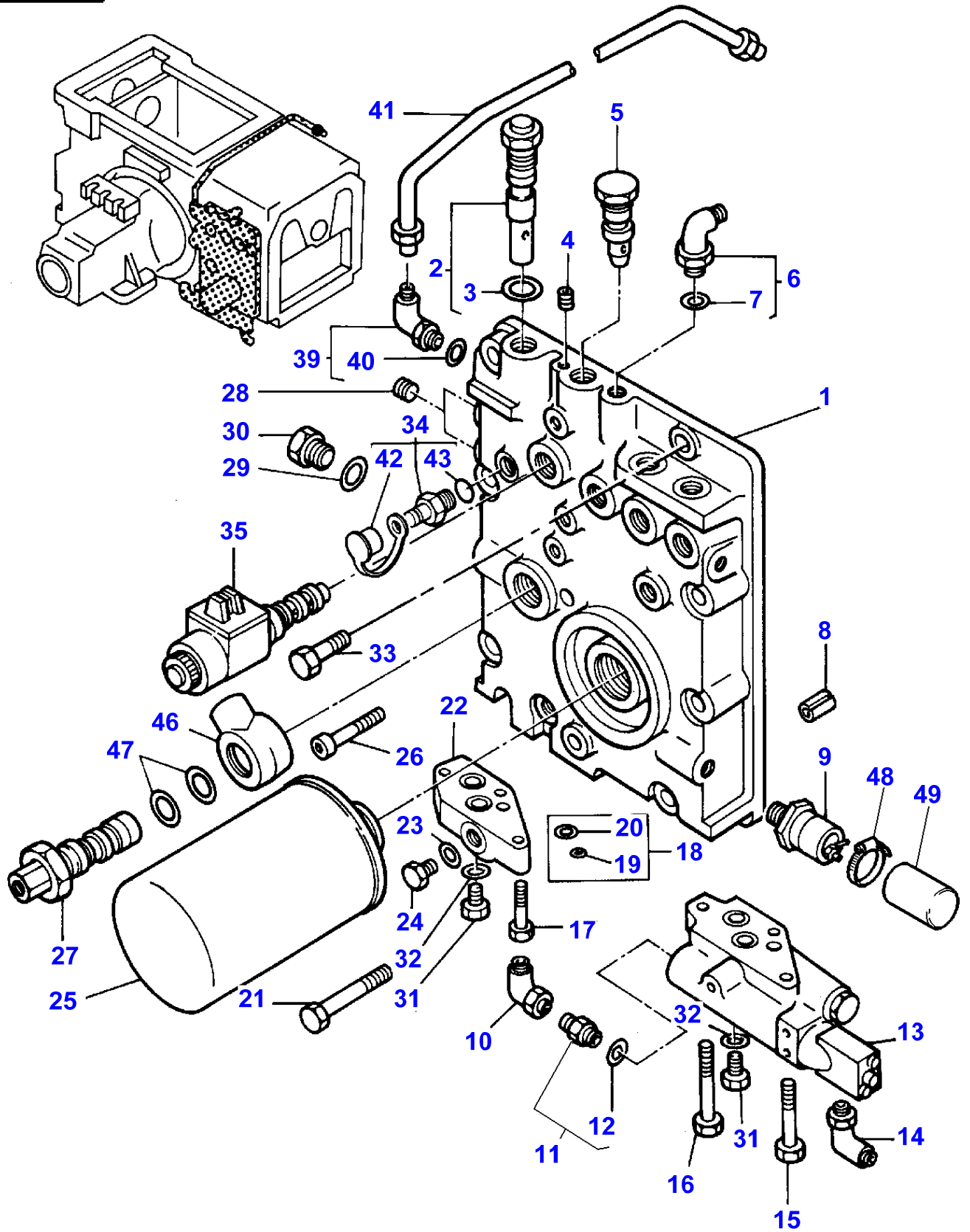
1-AG34-024



MANUAL BRAKING HYDRAULICS

Item	Part Number	Qty	Description	Comments
1	3019379X91	2	Union	
2	3019395X1	1	O Ring	(1)
3	3019412X91	2	Elbow	
4	3019395X1	1	O Ring	(3)
5	3580804M2	1	Hydr Hose	
6	3581693M2	2	Tube	Up to Serial or Engine Number B349009 Length 380MM
6	3619935M1	2	Tube	From Serial or Engine Number B349010 Length 320MM
6	3581693M2	2	Tube	Up to Serial or Engine Number 05/94 From Serial or Engine Number 05/94 Length 380MM
7	3581491M1	2	Banjo Bolt	
8	3581464M1	4	Bush	
9	3581463M2	1	Bar	
10	3019395X1	1	O Ring	
11	3019695X1	1	Elbow Nipple	
12	364603X1	3	Elbow	
14	3387663M92	1	Tube	Up to Serial or Engine Number A204028
	3617358M91	1	Tube	From Serial or Engine Number A204029
15	3582237M1	1	Hydr Hose	
16	3387558M93	1	Tube	Up to Serial or Engine Number A162023
	3617354M92	1	Tube	From Serial or Engine Number A162024
17	3386659M2	2	Hydr Hose	Up to Serial or Engine Number D159049
	3715107M1	2	Hydr Hose	From Serial or Engine Number D159050
18	3581293M91	1	Tube	Right Hand
	3581295M91	1	Tube	Left Hand
19	356303X1	2	Union	
20	3052960M1	2	Banjo Bolt	
21	3387560M93	1	Tube	Up to Serial or Engine Number A162023
	3617356M92	1	Tube	From Serial or Engine Number A162024
22	339030X1	1	Nut Metric	
23	3581132M1	1	Clamp	
24	339030X1	1	Nut Metric	
25	3384779M1	5	Bridle	
26	1625982M2	2	Plate	
27	339262X1	1	Bolt Metric	
28	3386681M91	1	Tube	
29	358782X91	1	Elbow	
30	1852568M1	1	O Ring	(29)
31	3581131M1	1	Clamp	
32	3019395X1	1	O Ring	
33	3581988M1	1	Union	
34	3019395X1	2	O Ring	
35	3019412X91	1	Elbow	
36	3019395X1	1	O Ring	(35)
37	339560X1	1	Screw Metric	
38	390971X1	1	Washer Metric	

1-AP31-503-A



HYDRAULICS-HYDRAULIC COVER RH

Item	Part Number	Qty	Description	Comments
1	3615625M1	1	Cover	
	3619453M1	1	Cover	[C]
2	3323471M91	1	Pressure Valve	
3	835025M1	1	O Ring	(2)
4	356039X1	1	Plug	
5	3382294M91	1	Valve	See Page - Reference Number 266/
6	3019414X91	1	Union	Two Wheel Drive
7	3019396X1	1	O Ring	(6)
8	3000705X1	2	Pin	
9	3582916M91	1	Pressure Switch	
10	364279X1	1	Elbow	[A]
11	3019383X91	1	Adaptor	[A]
12	3019397X1	1	O Ring	[A] (12)
13	3615802M1	1	Pressure Valve	[A] See Page - Reference Number 269/
14	3019302X91	1	Union	[A]
	3019393X1	1	O Ring	[A]
15	1441764X1	2	Screw Metric	[A]
16	1440349X1	1	Screw Metric	[A]
17	391981X1	3	Screw Metric	[B] M8X30 M8X35
18	3102155M91	1	Kit, Repair	[B]
19	195561M1	1	O Ring	[B] (18)
20	832276M1	2	O Ring	[B] (18)
21	354655X1	2	Bolt Unc	Length 76MM
	354653X1	5	Screw	Length 70MM
22	3382284M1	1	Plate	[B]
23	3019397X1	1	O Ring	[B]
24	3583994M91	1	Plug	[B]
25	3386701M2	1	Hydr. Element	
26	357747X1	1	Screw	
27	3386709M93	1	Pressure Valve	See Page - Reference Number 266/
28	356040X1	2	Plug	
29	3019398X1	1	O Ring	
30		1	Plug	Not serviced, order 3019645X91
31	3019640X1	1	Plug	
32	3019395X1	1	O Ring	
33	832566M1	1	Screw	
34	3384387M1	2	Pressure Intake	
	300687V00	1	Pressure Intake	[D]
35		2	Electrovalve	See Page - Reference Number 351/1
39	3019414X91	1	Union	
40	3019396X1	1	O Ring	(39)
41	3387482M92	1	Tube	
	3619496M91	1	Tube	[C]
42	3467187M1	1	Cap	(34)
43	831452M2	1	O Ring	(34)
46	3582312M3	1	Union	
47	3582313M1	2	O Ring	
48	338616X1	1	Hose Clip	From Serial or Engine Number 02/95
49	3038719M2	1	Protector	From Serial or Engine Number 02/95

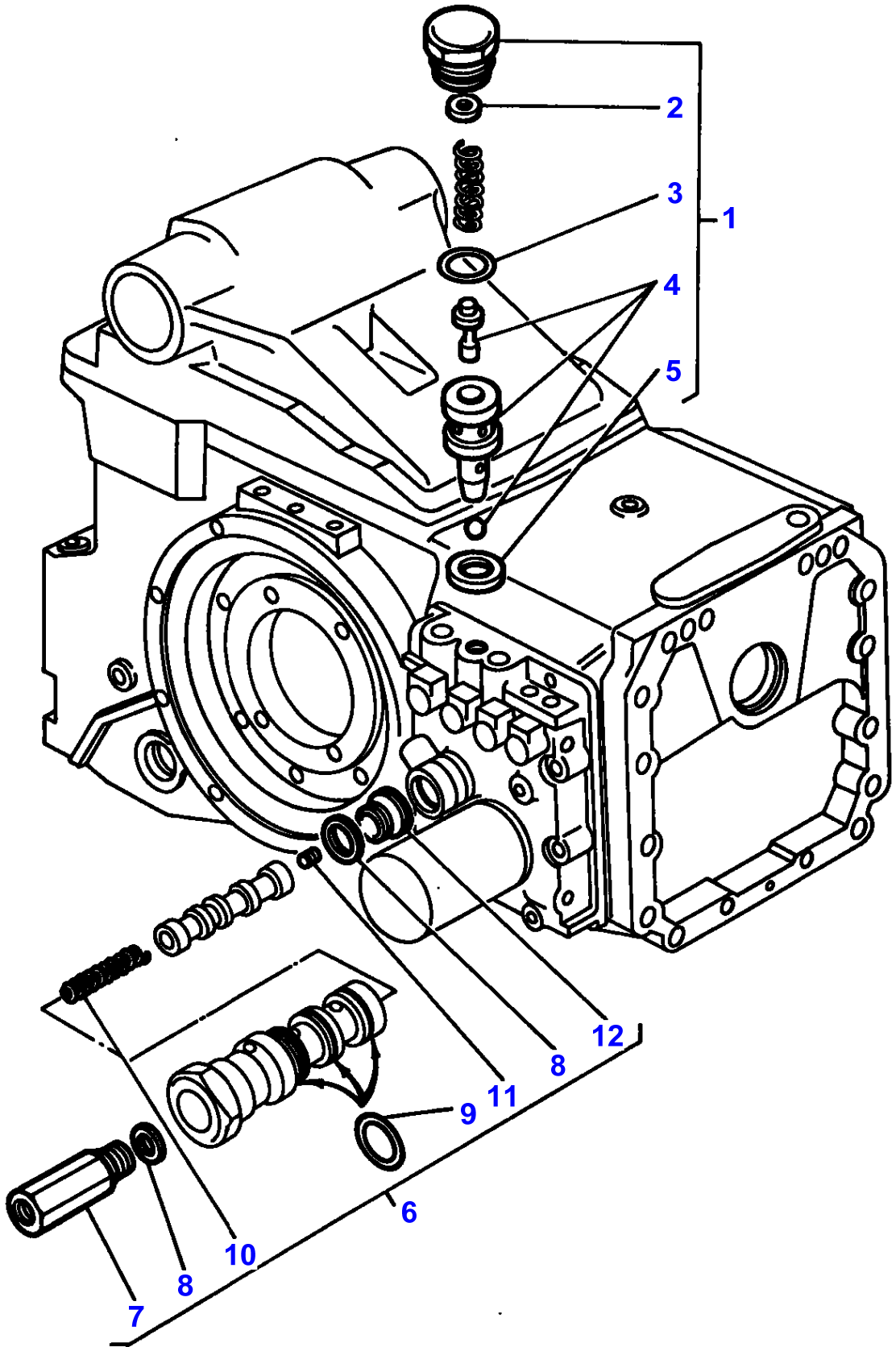
[A]
WITH TRAILOR BRAKING

[B]
WITHOUT TRAILOR BRAKE

[C]
WITH HEAVY DUTY TRANSMISSION

[D]
AUSTRIA

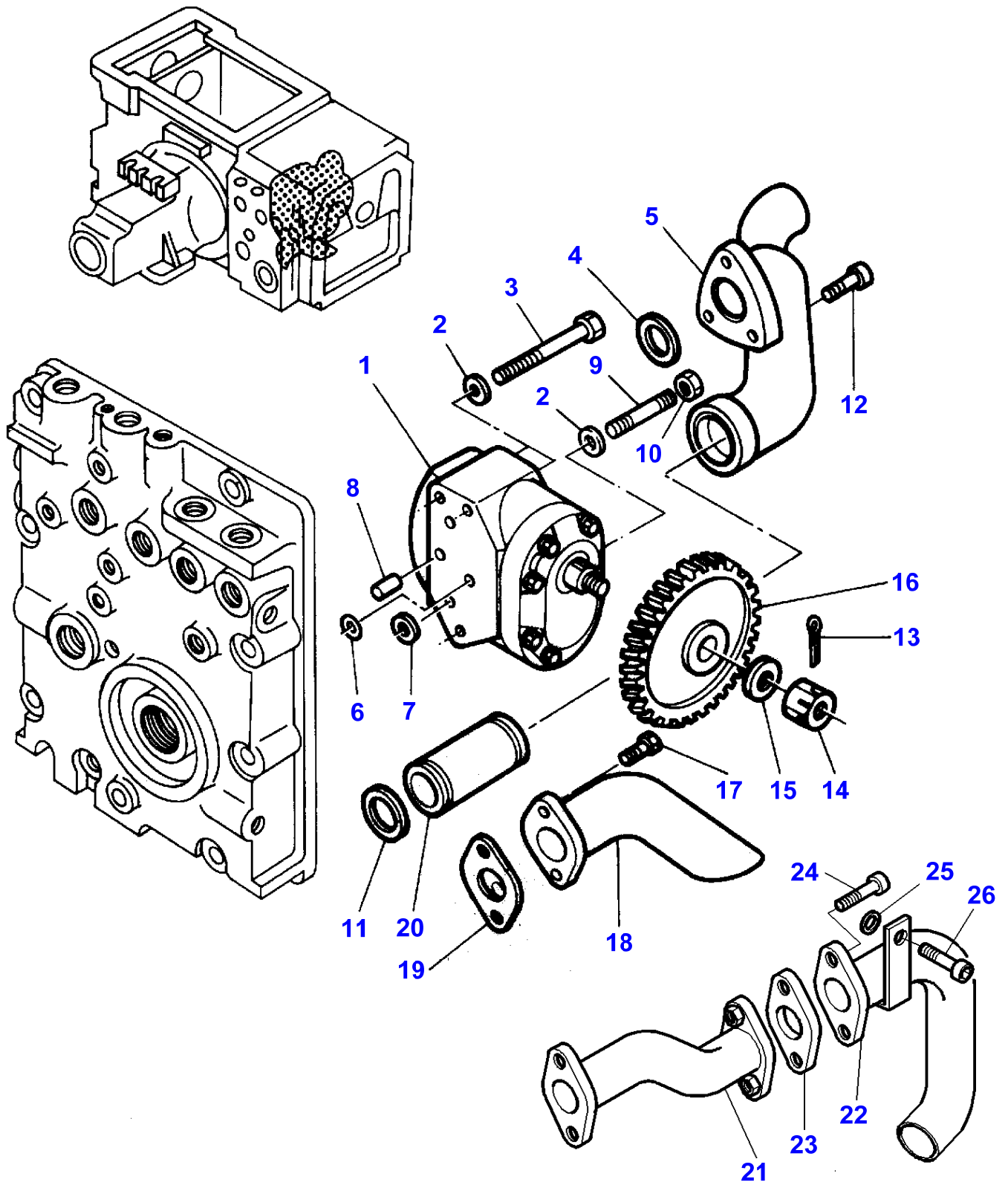
1 - AP31-002



HYDRAULICS-HYDRAULIC COVER RH

Item	Part Number	Qty	Description	Comments
1	3382294M91	1	Valve	
2	1806184M1	X	Shim	(1) Thickness 0,5MM
2	3102068M1	X	Shim	(1) Thickness 0,3MM
2	3102069M1	X	Shim	(1) Thickness 0,4MM
2	3104724M1	X	Shim	(1) Thickness 0,8MM
3	1807116M1	1	O Ring	(1)
4	1807049M1	1	Valve	(1)
5	3104723M1	1	Washer	(1)
6	3386709M93	1	Pressure Valve	
7	1897552M1	1	Plug	(6)
8	1897431M1	2	Gasket	(6)
9	3476379M1	1	Kit, O Rings	(6)
10	1897553M1	1	Spring	(6)
11	3476378M1	1	Dowel	(6)
12	1897555M1	1	Plug	(6)

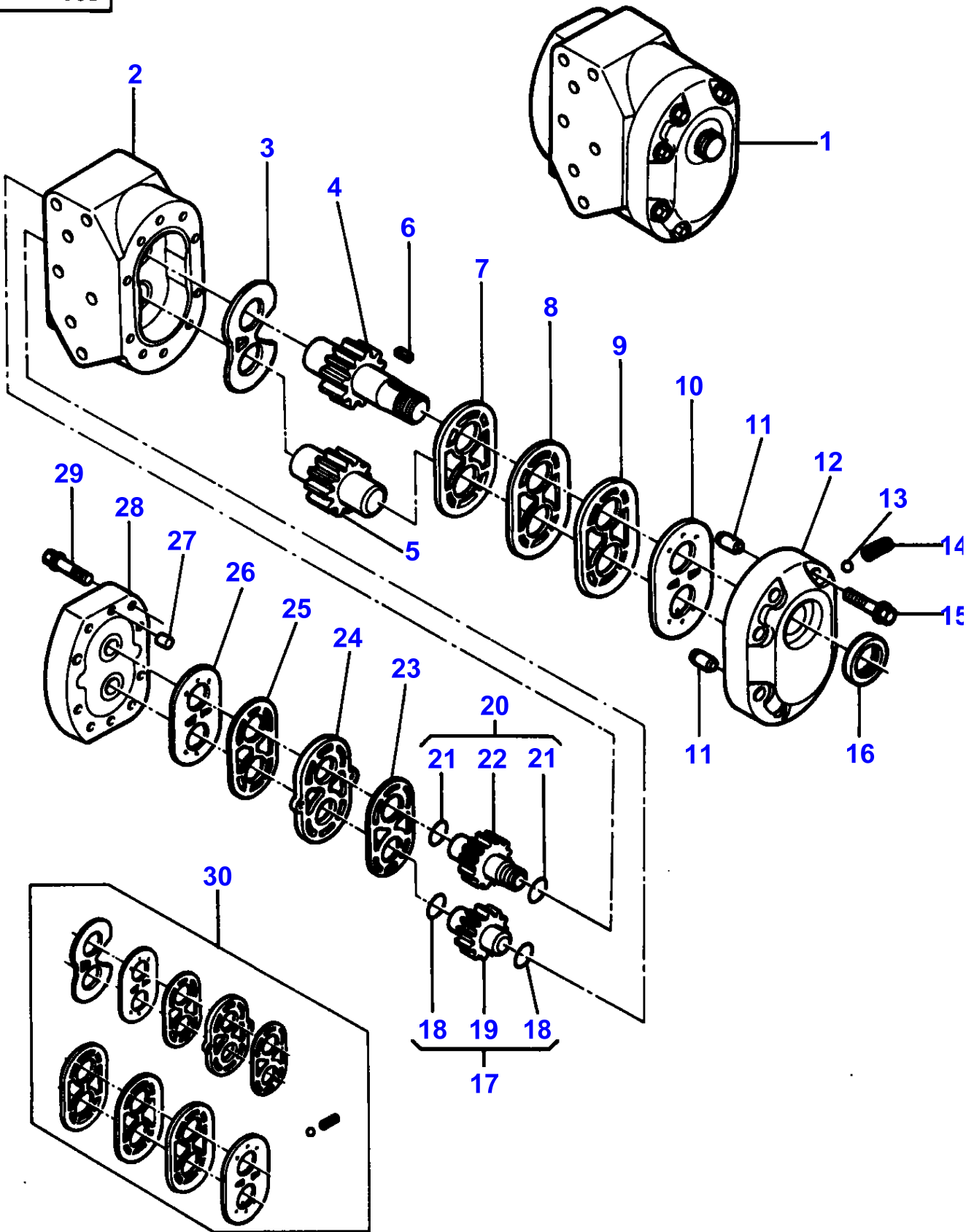
1-AP31-505-A



HYDRAULICS-HYDRAULIC COVER RH - CONTINUED

Item	Part Number	Qty	Description	Comments
				CONTINUED
1	3038730M2	1	Lift Pump	See Page - Reference Number 268/
2	366496X1	3	Washer	
3	354630X1	2	Screw	Length 95 MM
4	831702M1	1	Ring	
5	3386707M2	1	Manifold	
	3386707M2	1	Manifold	[A,B] Up to Serial or Engine Number C139032
5	3619455M2	1	Manifold	[A,B] From Serial or Engine Number C139033
6	195562M1	2	O Ring	
7	365392X1	1	O Ring	
8	3038675M1	2	Pin	
9	355566X1	1	Nut Unc	
10	3615397M1	1	Stud	
11	366434X1	2	O Ring	
12	357834X1	1	Screw Unc	Diameter 1/4" Length 25MM
12	357844X1	2	Screw Unc	Diameter 1/4" Length 20X57
12	357832X1	2	Screw Unc	[A] Diameter 1/4" Length 19MM
13	354061X1	1	Pin	
14	353926X1	1	Nut Unf	
15	390735X1	1	Nut	
16	3042670M2	1	Pinion	
17	339560X1	2	Screw Metric	
18	3386703M92	1	Tube	Up to Serial or Engine Number B196012
	3619186M92	1	Tube	From Serial or Engine Number B196013
				Up to Serial or Engine Number 26-AUG-1996
18	3619184M91	1	Tube	[A] Up to Serial or Engine Number 26-AUG-1996
19	3386706M1	1	Gasket	
20	3386713M1	1	Tube	
	3619457M1	1	Tube	[A]
21	3790029M91	1	Tube	From Serial or Engine Number 26-AUG-1996
22	3790031M91	1	Tube	From Serial or Engine Number 26-AUG-1996
23	3386706M1	1	Gasket	From Serial or Engine Number 26-AUG-1996
24	3009281X1	2	Screw	From Serial or Engine Number 26-AUG-1996 M6X16
25	391039X1	1	Washer Metric	From Serial or Engine Number 26-AUG-1996 M6X16
26	3009285X1	1	Screw	From Serial or Engine Number 26-AUG-1996 M8X16
				[A] WITH HEAVY DUTY TRANSMISSION
				[B] WITH DYNASHIFT

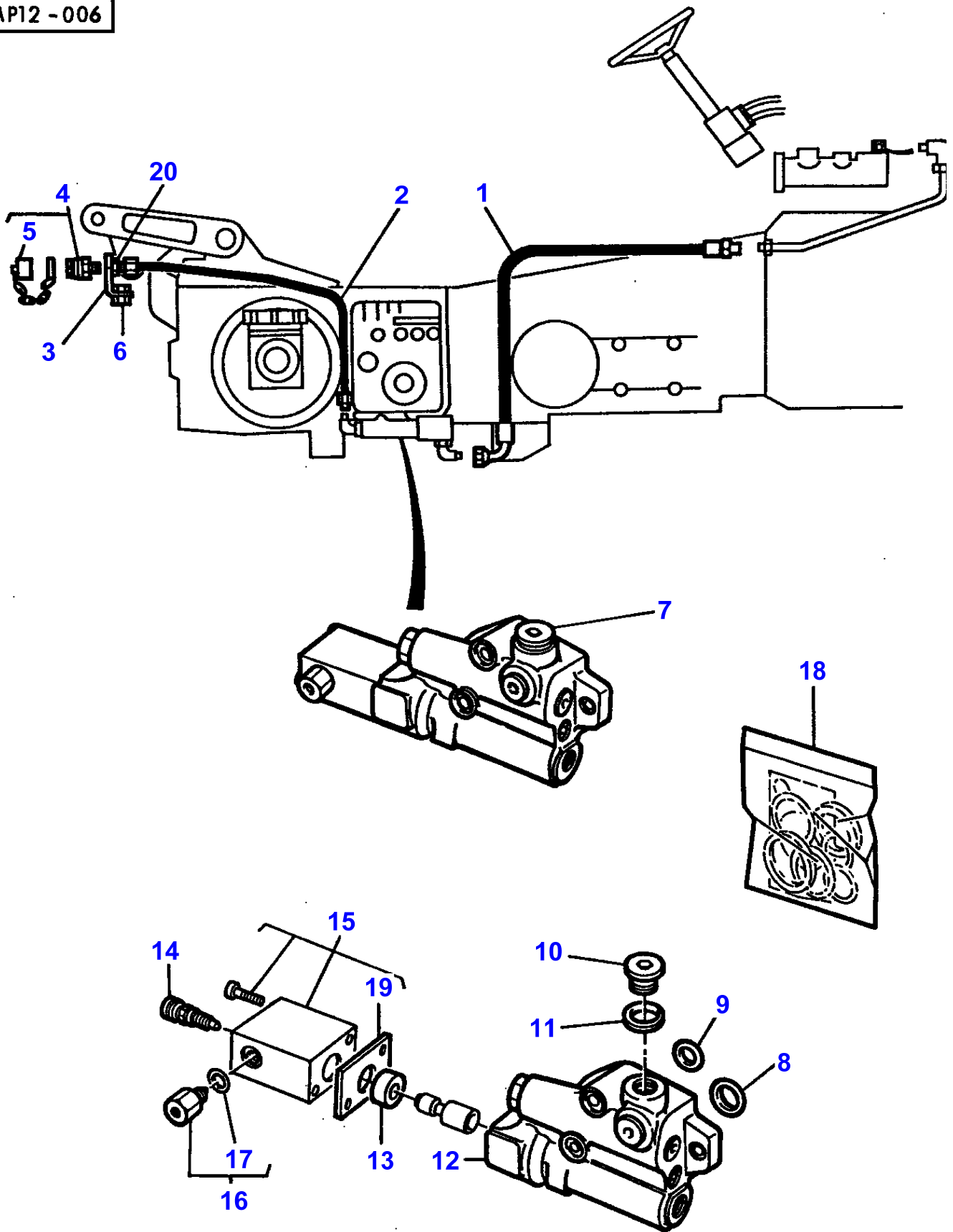
1-AP32 - 002



HYDRAULIC PUMP - RIGHT SIDE

Item	Part Number	Qty	Description	Comments
RIGHT SIDE				
1	3038730M2	1	Lift Pump	
2	1052311M91	1	Body Pump	(1)
3		1	Plate	(1)
				Not serviced, order REF 30
4	1051425M91	1	Pinion	(1)
5	1051426M91	1	Pinion	(1)
6	371279X1	1	Key	(1)
7		1	Gasket	(1)
				Not serviced, order REF 30
8		1	Protector	(1)
				Not serviced, order REF 30
9		1	Gasket	(1)
				Not serviced, order REF 30
10		1	Gasket	(1)
				Not serviced, order REF 30
11	1650331M1	4	Clevis Pin	(1)
12	1051420M91	1	Plate	(1)
13		1	Ball	(1)
				Not serviced, order REF 30
14		1	Spring	(1)
				Not serviced, order REF 30
15	1088394M1	4	Screw	(1)
	371278X1	4	Bolt	(1)
				5/16-18 X 1,5"
16		1	Gasket	(1)
				Not serviced, order REF 30
17	1051430M91	1	Pinion	(1)
18	1754669M1	2	Circlip	(17)
19		1	Pinion	(17)
				Not serviced, order REF 17
20	1051429M91	1	Pinion	(1)
21	1754669M1	2	Circlip	(20)
22		1	Pinion	(20)
				Not serviced, order REF 20
23		1	Protector	(1)
				Not serviced, order REF 30
24		1	Gasket	(1)
				Not serviced, order REF 30
25		1	Gasket	(1)
				Not serviced, order REF 30
26		1	Gasket	(1)
				Not serviced, order REF 30
27	371276X1	1	Clevis Pin	(1)
28	1051432M91	1	Cover	(1)
29	371277X1	8	Bolt	(1)
30	837298M91	1	Parts Pack	(1)

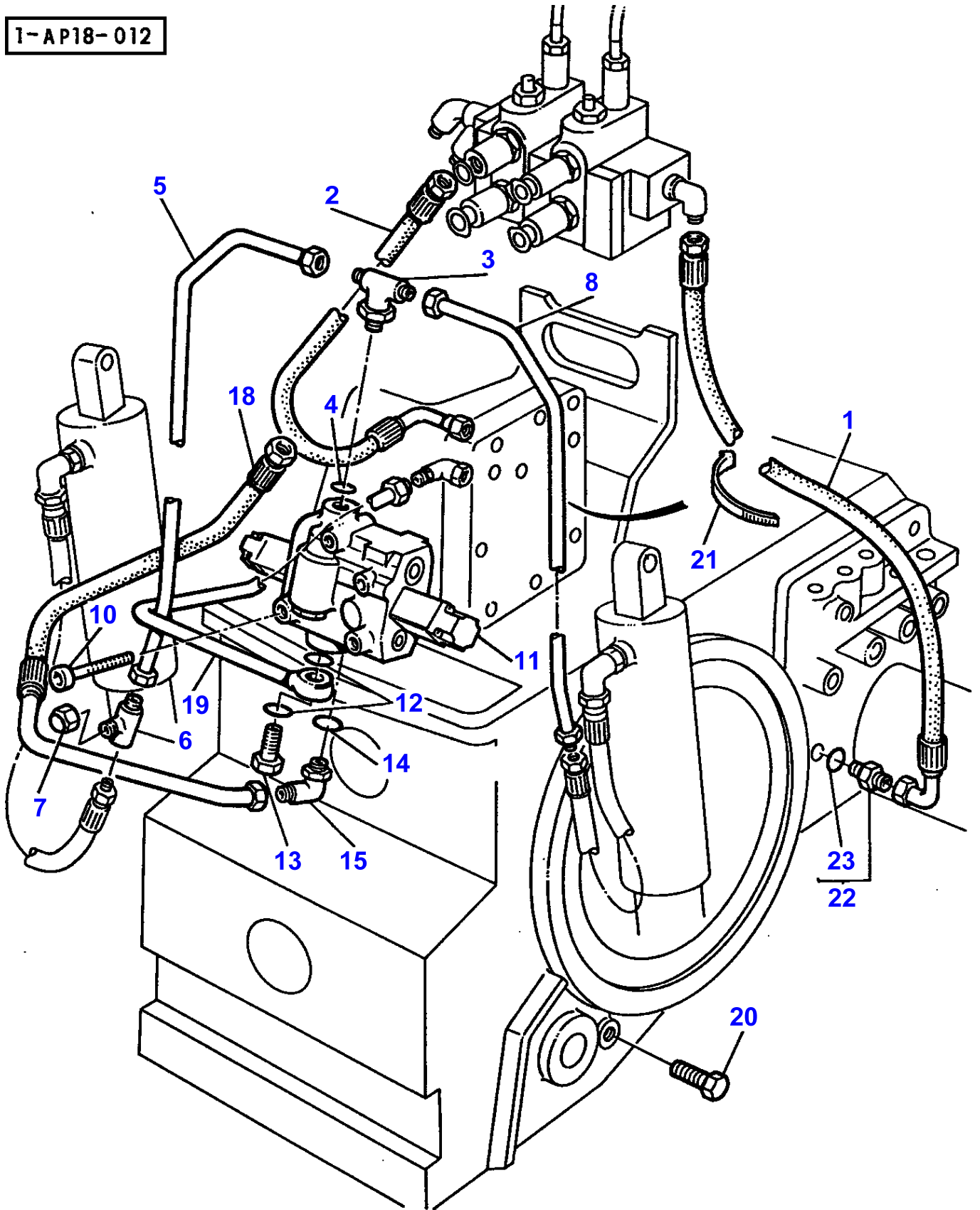
1-AP12-006



TRAILER BRAKES-PIPES AND FITTINGS

Item	Part Number	Qty	Description	Comments
1	3387363M1	1	Tube	
2	3581943M92	1	Tube	
3	3581942M3	1	Support	
4	3581307M2	1	Pressure Valve	
5	3616259M1	1	Plug	(4)
6	375112X1	2	Nut Unc	
7	3615802M1	1	Pressure Valve	
8	3102896M1	2	O Ring	(7)
9	3102897M1	1	O Ring	(7)
10	3106330M1	1	Plug	(7)
11	3106328M1	1	O Ring	(7)
12		1	Body	(7)
				Not serviced, order REF 7
13	3106326M1	1	Bush	(7)
14	3103513M1	1	Pressure Valve	(7)
15	3106331M1	1	Head	(7)
16	3582065M1	1	Non Return Valve	(7)
17	3019393X1	1	O Ring	(16)
18	3102155M91	1	Kit, Repair	
19	1719044M1	1	Gasket	(15)
20	1442336X1	1	Nut	

I-AP18-012



MASSEY FERGUSON**MF 3690 TRACTOR - 1637223**

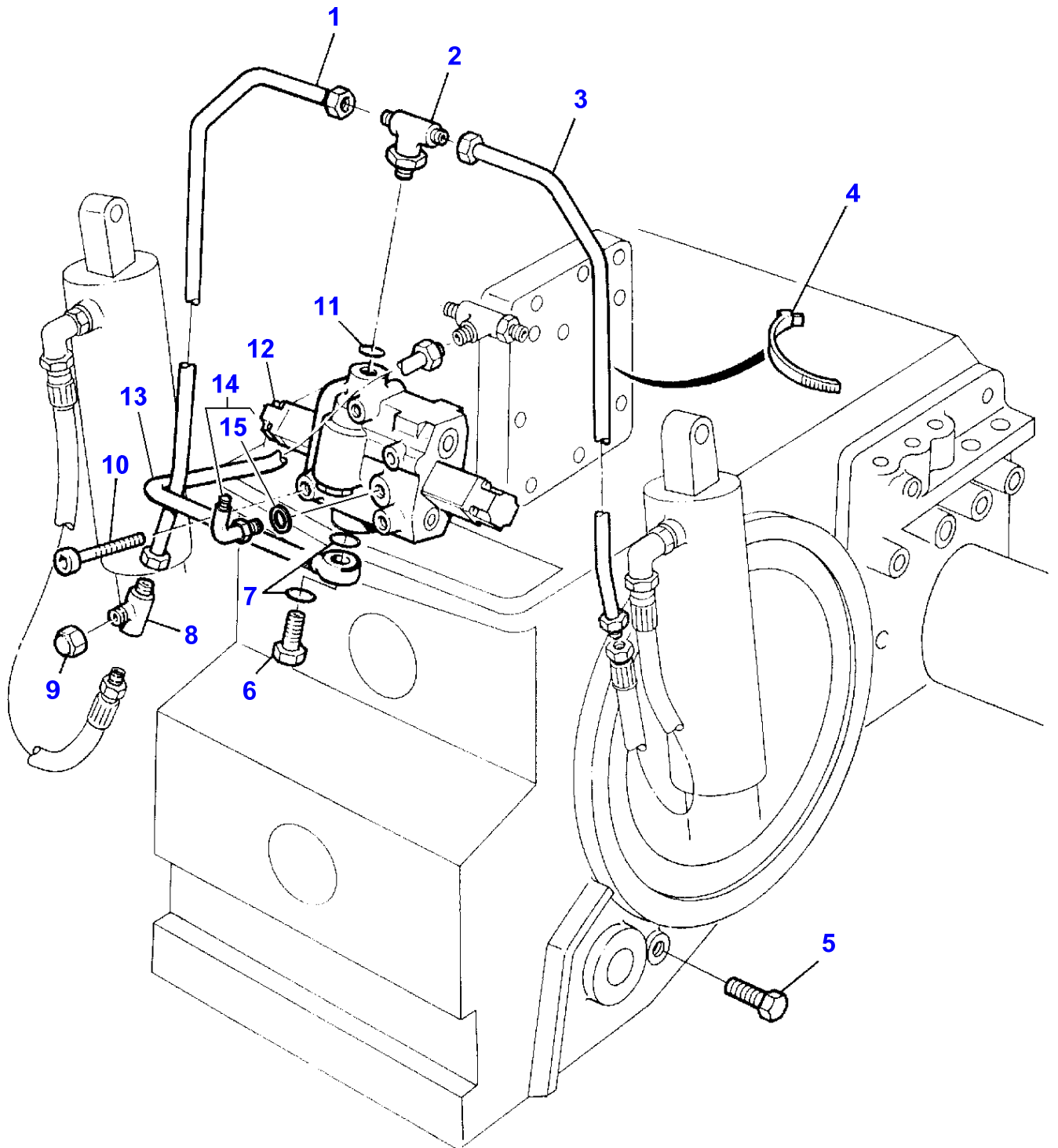
1637223

270

ELECTRONIC LIFT-HYDRAULIC VALVE - MOUNTING WITH 1 PUMP

Item	Part Number	Qty	Description	Comments
				MOUNTING WITH 1 PUMP
1	3615368M91	1	Hydr Hose	
2	3387753M2	1	Hydr Hose	
3	3019614X1	1	Union	
4	3019398X1	1	O Ring	
5	3385728M92	1	Tube	Left Hand
6	364704X1	1	Teepiece	Up to Serial or Engine Number S155011
7	380000X1	1	Plug	Up to Serial or Engine Number S155011
8	3385727M92	1	Tube	Right Hand
10	3009289X1	3	Screw Metric	
11		1	Pressure Valve	See Page - Reference Number 276/
12	390855X1	2	Ring	
13	3386243M1	1	Screw Special	
14	3019398X1	1	O Ring	
15	3019421X1	1	Union	
18	3385729M91	1	Tube	
19	3385840M91	1	Tube	
20	353615X1	1	Bolt Unf	Left Hand Diameter 5/8"-18 Length 51MM
20	353693X1	1	Screw Unc	Right Hand Diameter 3/8"-16 Length 32MM
21	3619622M1	2	Tie	
22	3019389X91	1	Union	
23	3019398X1	1	O Ring	(22)

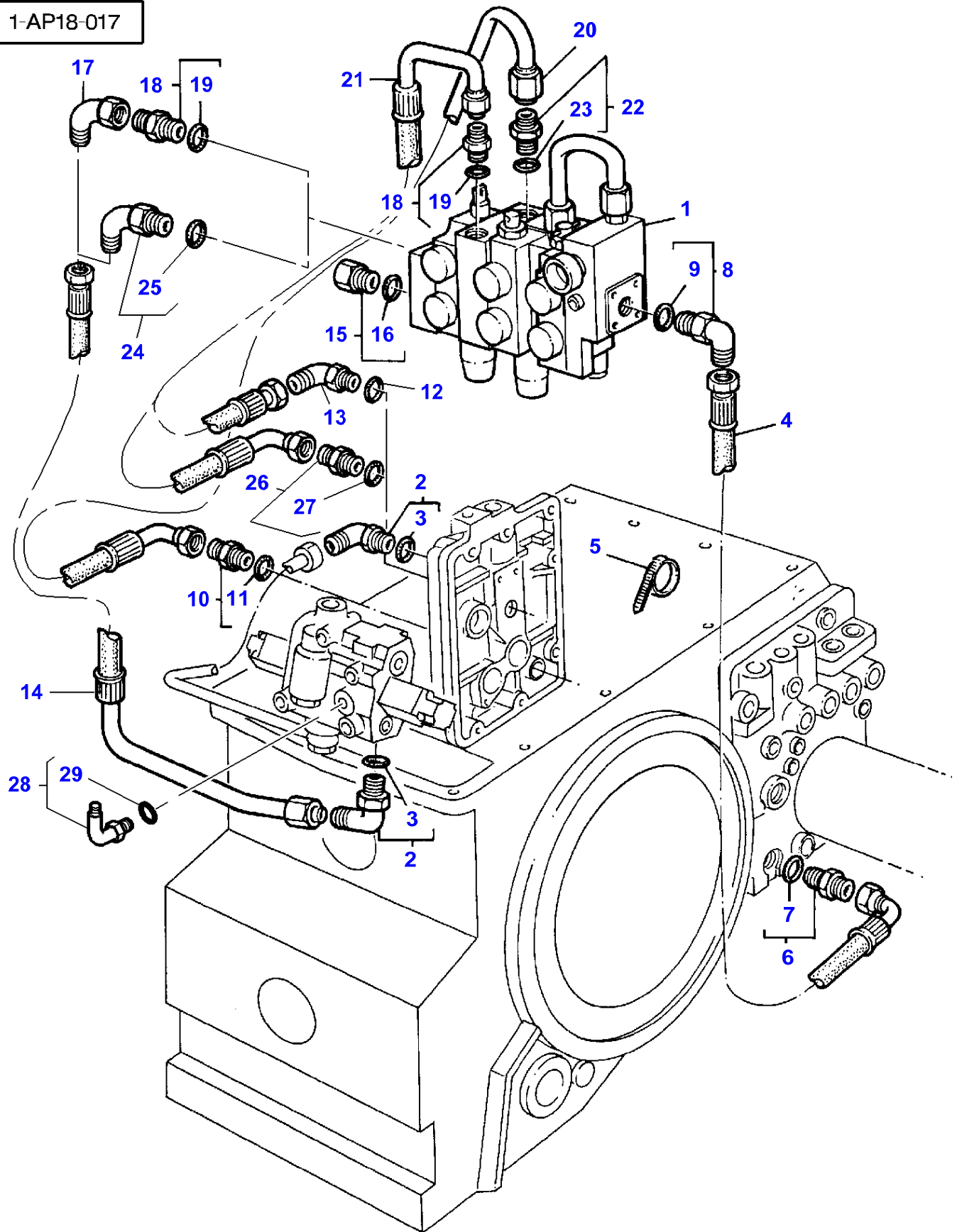
1-AP18-015



ELECTRONIC LIFT-HYDRAULIC VALVE - MOUNTING WITH 2 PUMP

Item	Part Number	Qty	Description	Comments
				MOUNTING WITH 2 PUMP
1	3385728M92	1	Tube	Left Hand
2	3019614X1	1	Union	
3	3385727M92	1	Tube	Right Hand
4	3619622M1	3	Tie	
5	353615X1	1	Bolt Unf	Left Hand Diameter 5/8"-18 Diameter 51MM
5	353693X1	1	Screw Unc	Right Hand Diameter 3/8"-16 Diameter 32MM
6	3386243M1	1	Screw Special	
7	390855X1	2	Ring	
8	364704X1	1	Teepiece	Up to Serial or Engine Number S155011
9	380000X1	1	Plug	Up to Serial or Engine Number S155011
10	3009289X1	3	Screw Metric	
11	3019398X1	1	O Ring	
12		1	Pressure Valve	See Page - Reference Number 276/
13	3385840M91	1	Tube	
14	3019410X91	1	Elbow Nipple	[A]
15	3019394X1	1	O Ring	[A] (14)
				[A] WITH LOAD SENSING

1-AP18-017



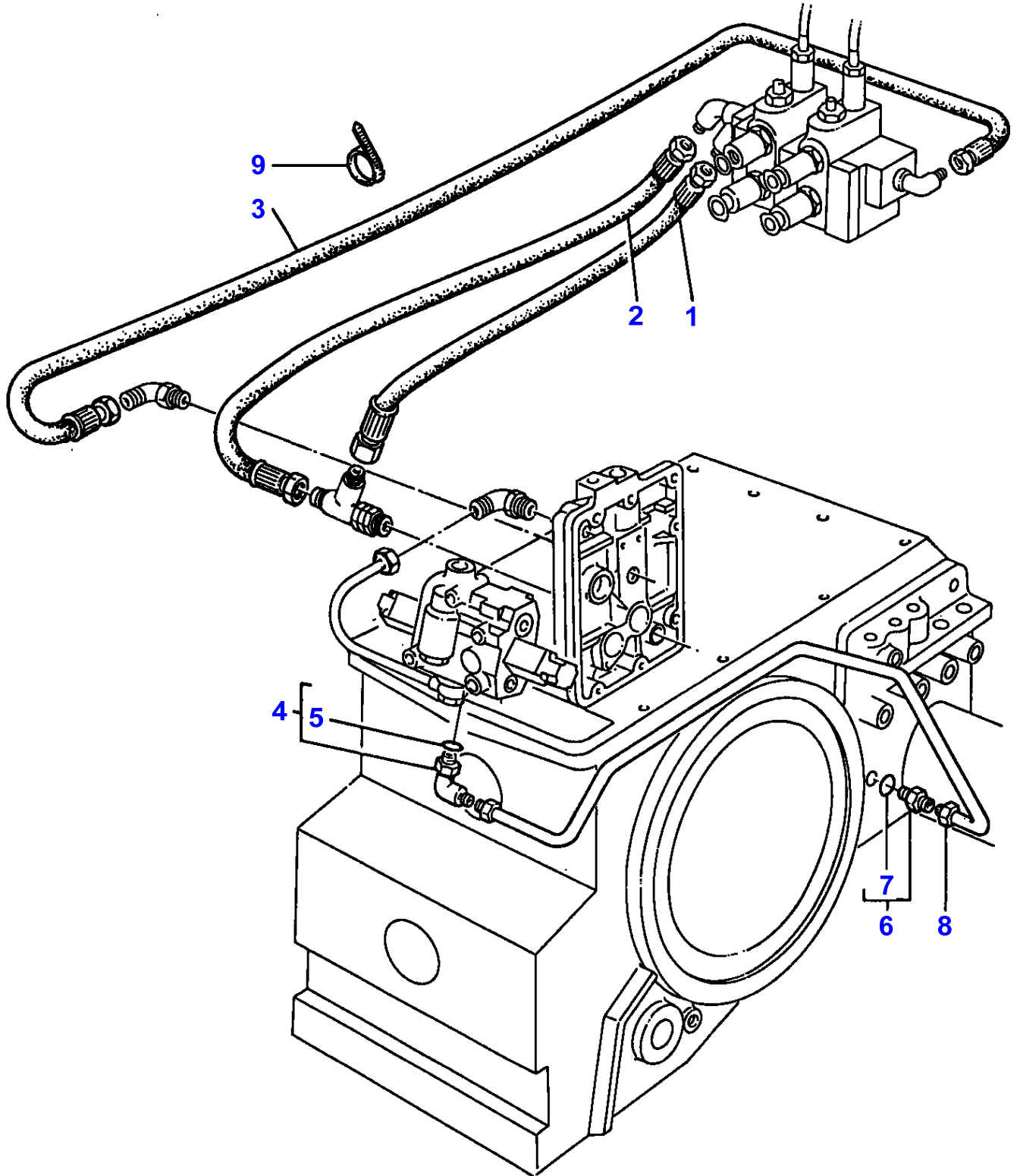
ELECTRONIC LIFT-HYDRAULIC VALVE - MOUNTING WITH 2 PUMP

Item	Part Number	Qty	Description	Comments
				MOUNTING WITH 2 PUMP
1	3615545M91	1	Distributor	See Page - Reference Number 275/
2	3019420X91	2	Union	
3	3019398X1	1	O Ring	(2)
4	3615368M91	1	Hydr Hose	
5	3619622M1	2	Tie	
6	3019389X91	1	Union	
7	3019398X1	1	O Ring	(6)
8	3019420X91	1	Union	
9	3019398X1	1	O Ring	
10	3019391X91	1	Union	
11	3019399X1	1	O Ring	(10)
12	3019398X1	1	O Ring	Up to Serial or Engine Number A289017
13	3019595X1	1	Union	[A] Up to Serial or Engine Number A289017
14	3385729M91	1	Tube	Up to Serial or Engine Number A289017
	3618791M91	1	Tube	From Serial or Engine Number A289018
15	3019647X91	1	Plug	
16	3019455X1	1	O Ring	(15)
17	366462X1	1	Elbow	90' Up to Serial or Engine Number A289017
18	3019389X91	1	Union	
19	3019398X1	1	O Ring	(18)
20	3615477M91	1	Tube	Up to Serial or Engine Number A287017
	3618793M91	1	Tube	From Serial or Engine Number A289018
21	3583621M2	1	Hydr Hose	Up to Serial or Engine Number A287017
	3618771M1	1	Hydr Hose	From Serial or Engine Number A289018
22	3019391X91	1	Union	
23	3019399X1	1	O Ring	(22)
24	3019420X91	1	Union	From Serial or Engine Number A289018
25	3019398X1	1	O Ring	(24)
26	3019389X91	1	Union	From Serial or Engine Number A289018
27	3019398X1	1	O Ring	(26)

[A]
EXCEPTED NORTH AMERICA

[B]
WITH LOAD SENSING

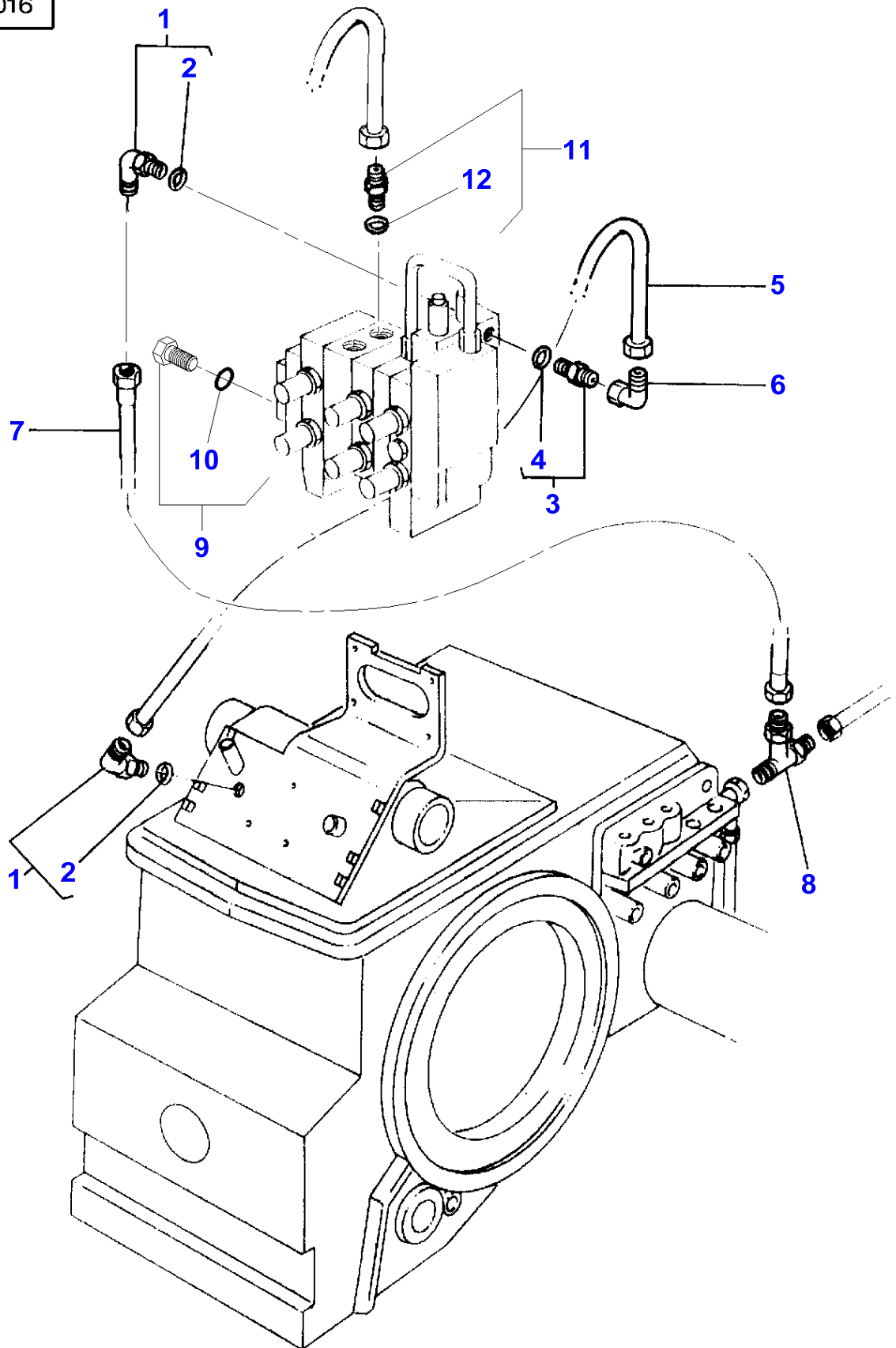
1-AP18-009



L

Item	Part Number	Qty	Description	Comments
				MOUNTING WITH 2 PUMP
1	3387753M2	1	Hydr Hose	
2	3387753M2	1	Hydr Hose	
3	3387757M3	1	Hydr Hose	
4	3019420X91	1	Union	
5	3019398X1	1	O Ring	(4)
6	3019389X91	1	Union	
7	3019398X1	1	O Ring	(6)
8	3386240M91	1	Tube	
9	3619622M1	3	Tie	

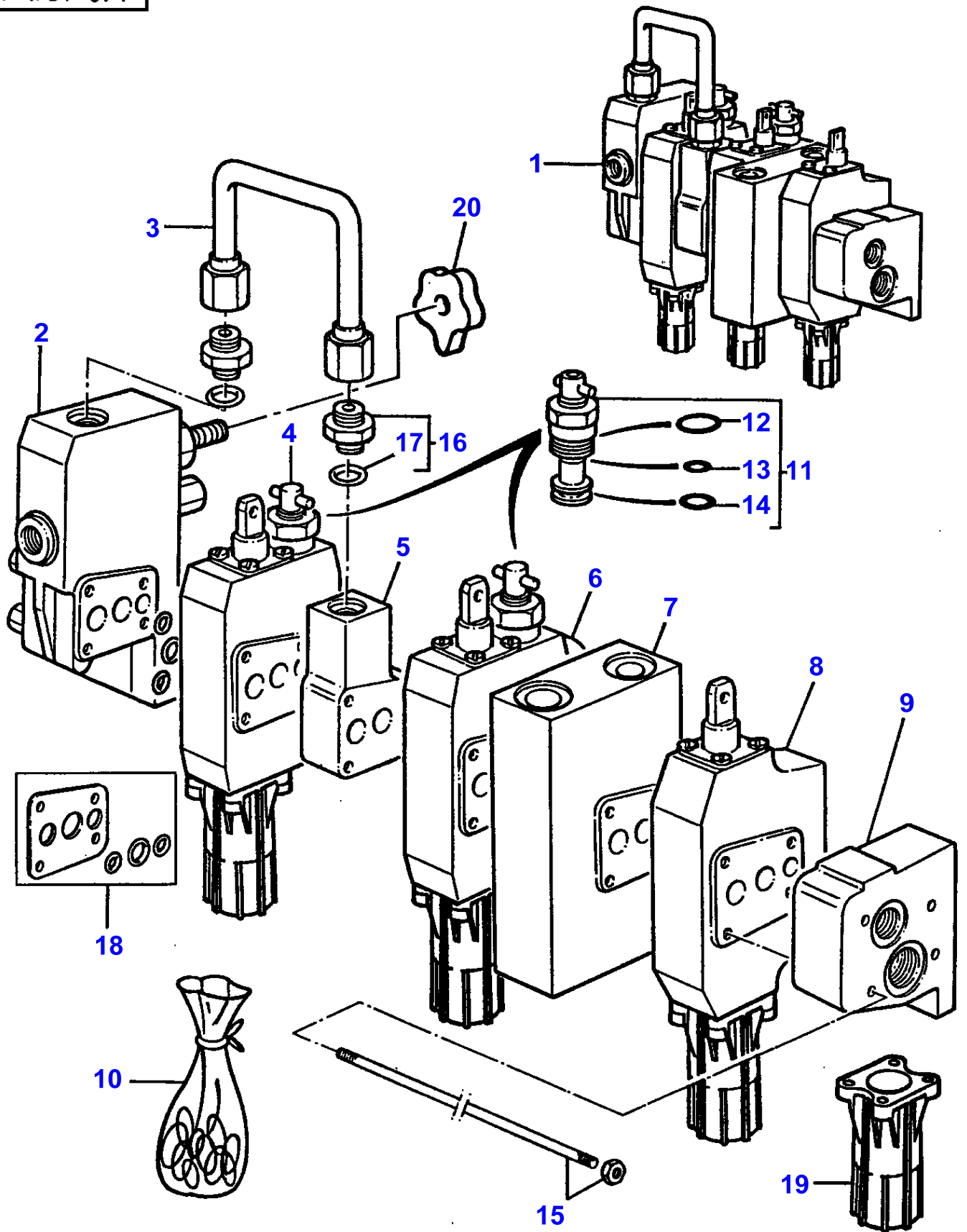
1-AP37-016



Item	Part Number	Qty	Description	Comments
------	-------------	-----	-------------	----------

			DUAL CONTROL	
1	3019412X91	2	Elbow	
2	3019395X1	1	O Ring	(1)
3	3019379X91	1	Union	
4	3019395X1	1	O Ring	(3)
5	3617887M92	1	Tube	
6	364603X1	1	Elbow	
7	3617893M1	1	Hydr Hose	
8	377218X1	1	Teepiece	
9	3019647X91	1	Plug	
10	3019455X1	1	O Ring	(9)
11	3019391X91	1	Union	
12	3019399X1	1	O Ring	(11)

1-AP34-094



DISTRIBUTOR

Item	Part Number	Qty	Description	Comments
1	3615545M91	1	Distributor	[B,C,D,E] REXROTH 3 DIST.
2	3582523M1	1	Distributor	[D] (1)
3	3467065M91	1	Tube	(1)
4	3582517M1	1	Distributor	[E] (1)
5	3582522M1	1	Spacer	(1)
6	3582518M1	1	Distributor	[B] (1)
7	3600269M1	1	Element	(1)
8	3582515M1	1	Distributor	[C] (1)
9	3467955M91	1	Element	(1)
10	3600270M91	1	Kit, Joint	(1)
11	3900435M1	2	Valve	(1) 3467936M1
12	364101X1	1	Seal	(11)
13	1442438X1	1	Ring	(11)
14	359294X1	1	Ring	(11)
15	3600271M91	1	Parts Pack	(1)
16	1886876M91	2	Union	(1)
17	1852568M1	2	O Ring	(16)
18	3600209M91	X	Parts Pack	(1)
19	3600430M1	1	Case Assy	(4)
	3600430M1	1	Case Assy	(6)
	3600430M1	1	Case Assy	(8)
20	3900300M1	1	Button	(2)

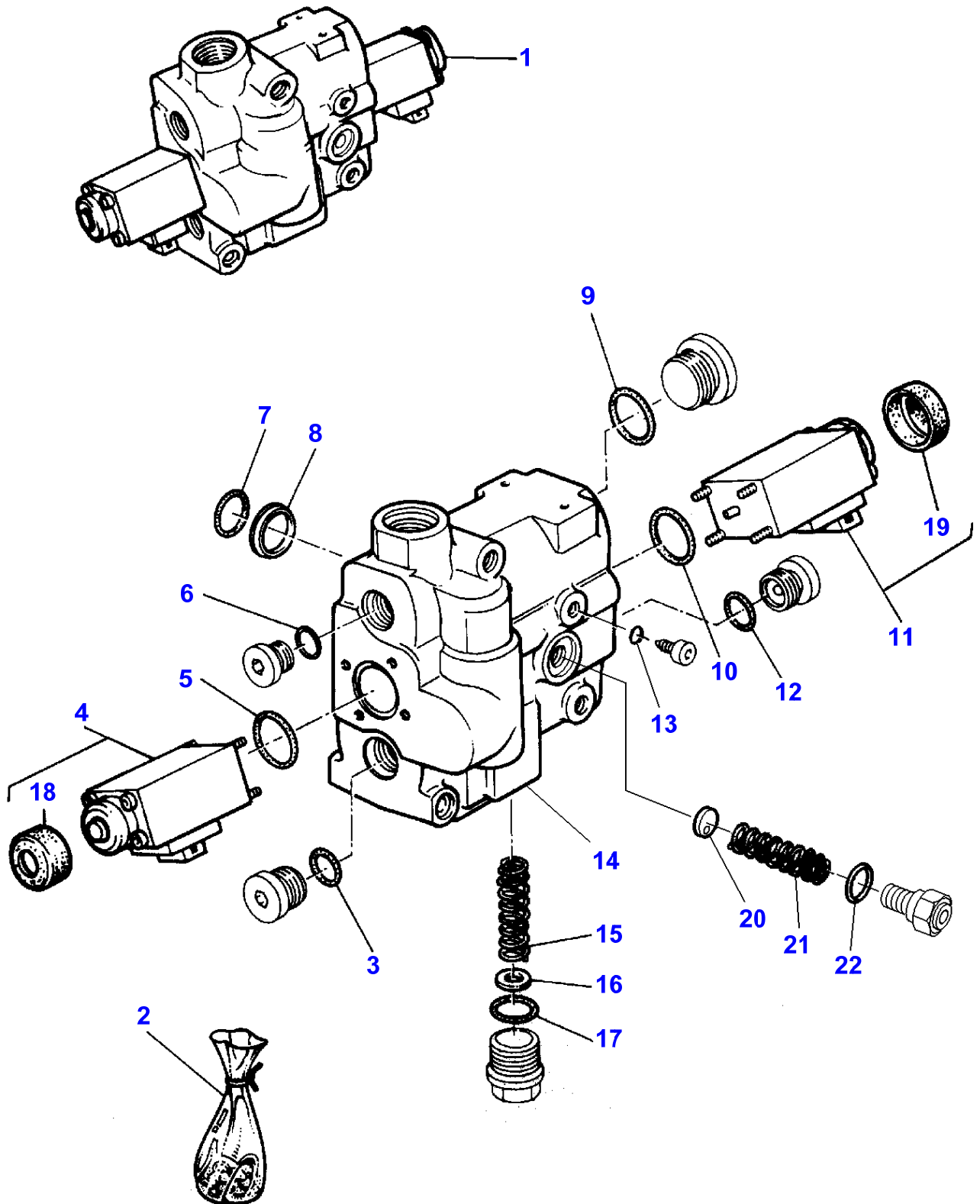
[B]
3 POSITION ZERO LEAK DISTRIBUTOR SIMPLE AND DOUBLE ACTION WITH
HYDRAULIC KICK-OUT

[C]
4 POSITION DISTRIBUTOR, 1 FLOATING, DOUBLE ACTION WITH HYDRAULIC
KICK-OUT

[D]
FLOW DIVIDER SLICE

[E]
3 POSITION DISTRIBUTOR SIMPLE AND DOUBLE ACTION WITH HYDRAULIC
KICK-OUT

1-AP38-005



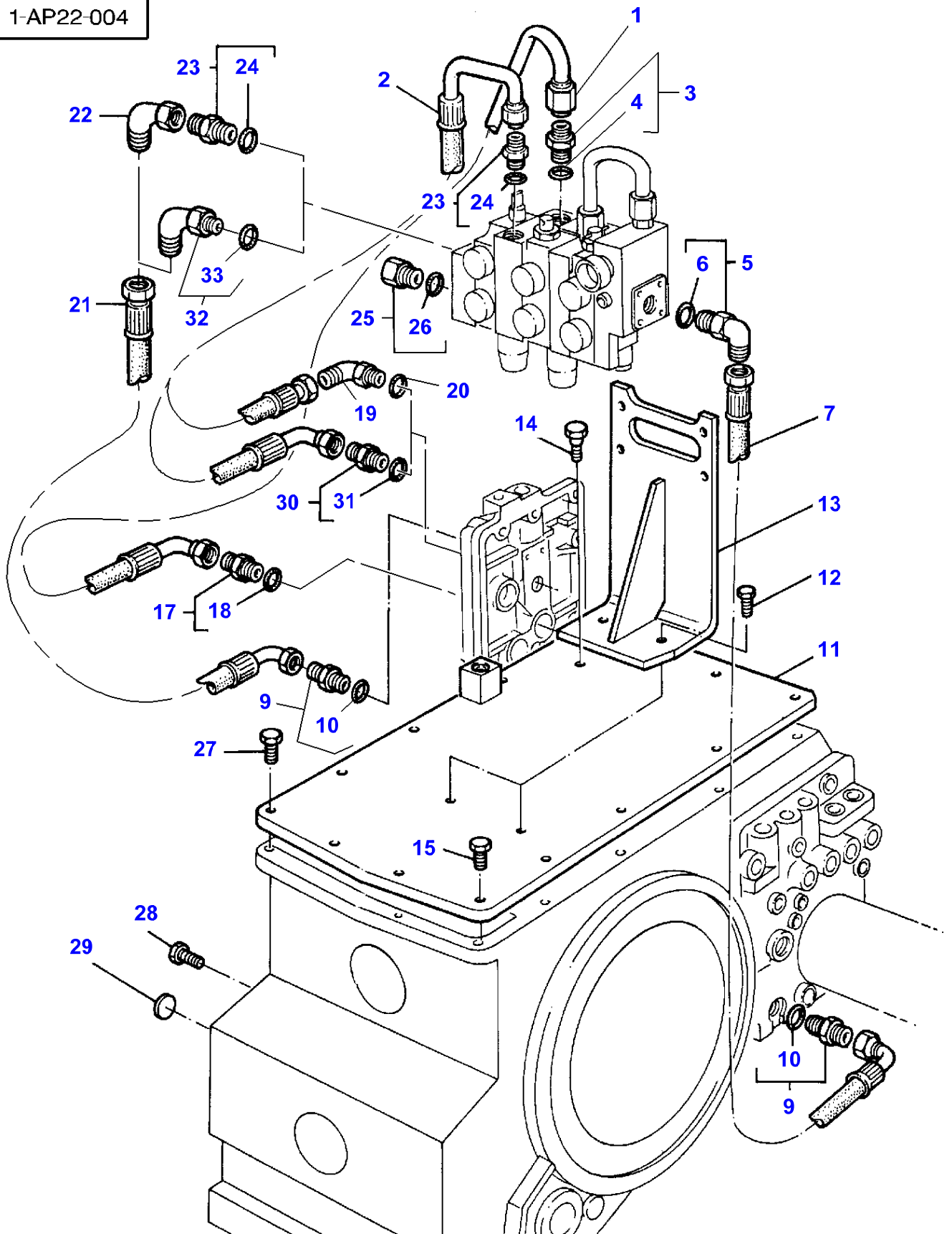
HYDRAULIC LIFT VALVE

Item	Part Number	Qty	Description	Comments
1	3583565M1	1	Pressure Valve	Up to Serial or Engine Number E255033
	3790388M1	1	Pressure Valve	[A] From Serial or Engine Number E255034
1	3712318M1	1	Pressure Valve	[B]
2	3104937M91	1	Kit, Joint	
3		2	Gasket	(2) Not serviced, order REF.NO 2
4	3900390M91	1	Kit, Service	(1)
5		1	Gasket	(2) Not serviced, order REF.NO 2
6		1	Gasket	(2) Not serviced, order REF.NO 2
7	3102329M1	2	O Ring	(1) Diameter 18X2,5MM
8	3104935M1	2	Bush	(1)
9		1	Gasket	(2) Not serviced, order REF.NO 2
10		2	Gasket	(2) Not serviced, order REF.NO 2
11	3900390M91	1	Kit, Service	(1)
12		2	Gasket	(2) Not serviced, order REF.NO 2
13		1	Gasket	(2) Not serviced, order REF.NO 2
14		1	Body	(1) Not serviced, order REF.NO 1
15	3105088M1	1	Spring	(1)
16	1717461M1	X	Washer	(1) Thickness 0,50MM
16	1717460M1	X	Washer	(1) Thickness 0,25MM
16	1717462M1	X	Washer	(1) Thickness 2,50MM
17		1	Gasket	(2) Not serviced, order REF.NO 2
18	3105203M1	1	Helmet	(4)
19	3105203M1	1	Helmet	(11)
20	3108009M1	1	Centraliser	[B] (1)
21	3108010M1	1	Spring	[B] (1)
22	1700346M1	1	Bush	[B] (1)

[A]
DETAILS TO BE ADVISED

[B]
WITH LOAD SENSING

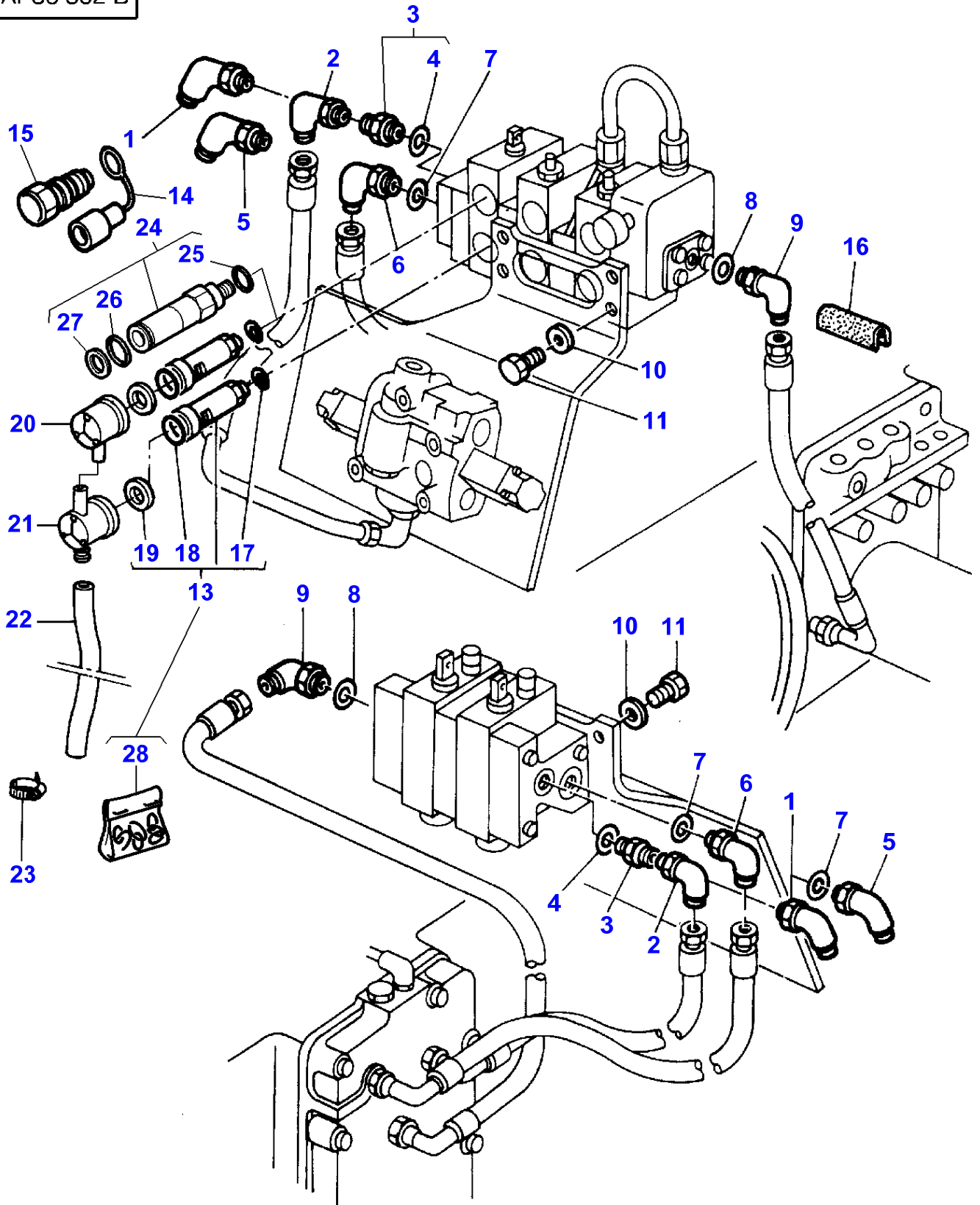
1-AP22-004



REAR AXLE CENTRE HOUSING COVER-WITHOUT HYDRAULIC LIFT - MOUNTING WITH 2 PUMP

Item	Part Number	Qty	Description	Comments
				MOUNTING WITH 2 PUMP
1	3615477M91	1	Tube	Up to Serial or Engine Number A289017
	3618793M91	1	Tube	From Serial or Engine Number A289018 Up to Serial or Engine Number B344007
1	3618755M91	1	Tube	From Serial or Engine Number B344008
2	3583621M2	1	Hydr Hose	Up to Serial or Engine Number A289017
	3618771M1	1	Hydr Hose	From Serial or Engine Number A289018
3	3019391X91	1	Union	
4	3019399X1	1	O Ring	(3)
5	3019420X91	1	Union	Up to Serial or Engine Number B344007
	3019594X91	1	Elbow	From Serial or Engine Number B344008 Up to Serial or Engine Number 05/1994 135'
5	3019420X91	1	Union	From Serial or Engine Number 05/1994 90'
6	3019398X1	1	O Ring	(5)
7	3615368M91	1	Hydr Hose	
9	3019389X91	2	Union	
10	3019398X1	1	O Ring	(9)
11	3385696M93	1	Cover	Up to Serial or Engine Number B344007
	3618694M91	1	Cover	From Serial or Engine Number B344008
12	3380216M1	1	Breather	
13	3388890M1	1	Support	Up to Serial or Engine Number B344007
	3618696M1	1	Support	From Serial or Engine Number B344008
14	339139X1	2	Screw Metric	Diameter M12 Length 25MM
15	353726X1	13	Screw Unc	Diameter 5/8" Length 38MM
17	3019391X91	1	Union	
18	3019399X1	1	O Ring	(17)
19	3019595X1	1	Union	Up to Serial or Engine Number A289017
20	3019398X1	1	O Ring	Up to Serial or Engine Number A289017
21	3387759M1	1	Hydr Hose	
22	366462X1	1	Elbow	90 Up to Serial or Engine Number A289017
23	3019389X91	1	Union	
24	3019398X1	1	O Ring	(23)
25	3019647X91	1	Plug	
26	3019455X1	1	O Ring	(25)
27	368445X1	1	Screw	Diameter 5/8"
28	353615X1	1	Bolt Unf	Left Hand Diameter 5/8"-18 Length 51MM
28	353693X1	1	Screw Unc	Right Hand Diameter 3/8"-16 Length 32MM
29	1625678M1	2	Plug	
30	3019389X91	1	Union	From Serial or Engine Number A289018
31	3019398X1	1	O Ring	(30)
32	3019420X91	1	Union	From Serial or Engine Number A289018 Up to Serial or Engine Number B344007
32	3019594X91	1	Elbow	From Serial or Engine Number B344008
33	3019398X1	1	O Ring	(32)

1-AP36-502-B



AUXILIARY HYDRAULICS-DISTRIBUTOR INSTALLATION

Item	Part Number	Qty	Description	Comments
1	373785X1	1	Union	[C] 135'
2	366462X1	1	Elbow	[D] 90'
2	366462X1	2	Elbow	[G]
3	3019389X91	1	Union	
4	3019398X1	1	O Ring	
5	3019596X91	1	Union	[C] 135'
6	3019886X91	1	Union	90'
7	3019455X1	1	O Ring	
8	3019398X1	1	O Ring	
9	3019420X91	1	Union	
10	390972X1	4	Washer Metric	
11	339123X1	4	Screw Metric	M8X20
	339337X1	2	Screw Metric	From Serial or Engine Number B286008 M8X30
11	339169X1	2	Nut Metric	[F] From Serial or Engine Number B286008 M8
13	3384873M8	X	Female Coupler	[A,E] Up to Serial or Engine Number E150011 PARKER
14	3615822M1	X	Cap	
15	1026700M91	X	Male Coupler	Diameter 3/4-16 PIONEER
15	3583932M1	X	Male Coupler	[B] Diameter M18X1,5
16	3580695M1	2	Gasket	
17	3019398X1	1	O Ring	[E] (13) Diameter 19,4X2,1
18	368374X1	1	O Ring	[E] (13) Diameter 20,29X2,62
19	3600257M1	1	Gasket	[E] (13)
20	3583948M1	X	Plug	[E] Top
21	3583949M1	X	Plug	[E] Bottom
22	3616713M1	X	Tube	[E] Length 1250MM
23	3619622M1	X	Tie	
24	3772942M1	X	Female Coupler	From Serial or Engine Number E150012 PARKER
25	3019398X1	1	O Ring	(24) Diameter 19,4X2,1MM
26	368374X1	1	O Ring	(24) Diameter 20,29X2,62M
27	3901419M1	1	Ring	(24)
28	3902674M91	1	Kit, Seal	(13)

[A]
PRESSURE ON 1 SIDE

[B]
FOR HOLLAND ONLY

[C]
WITH 2 DISTRIBUTORS

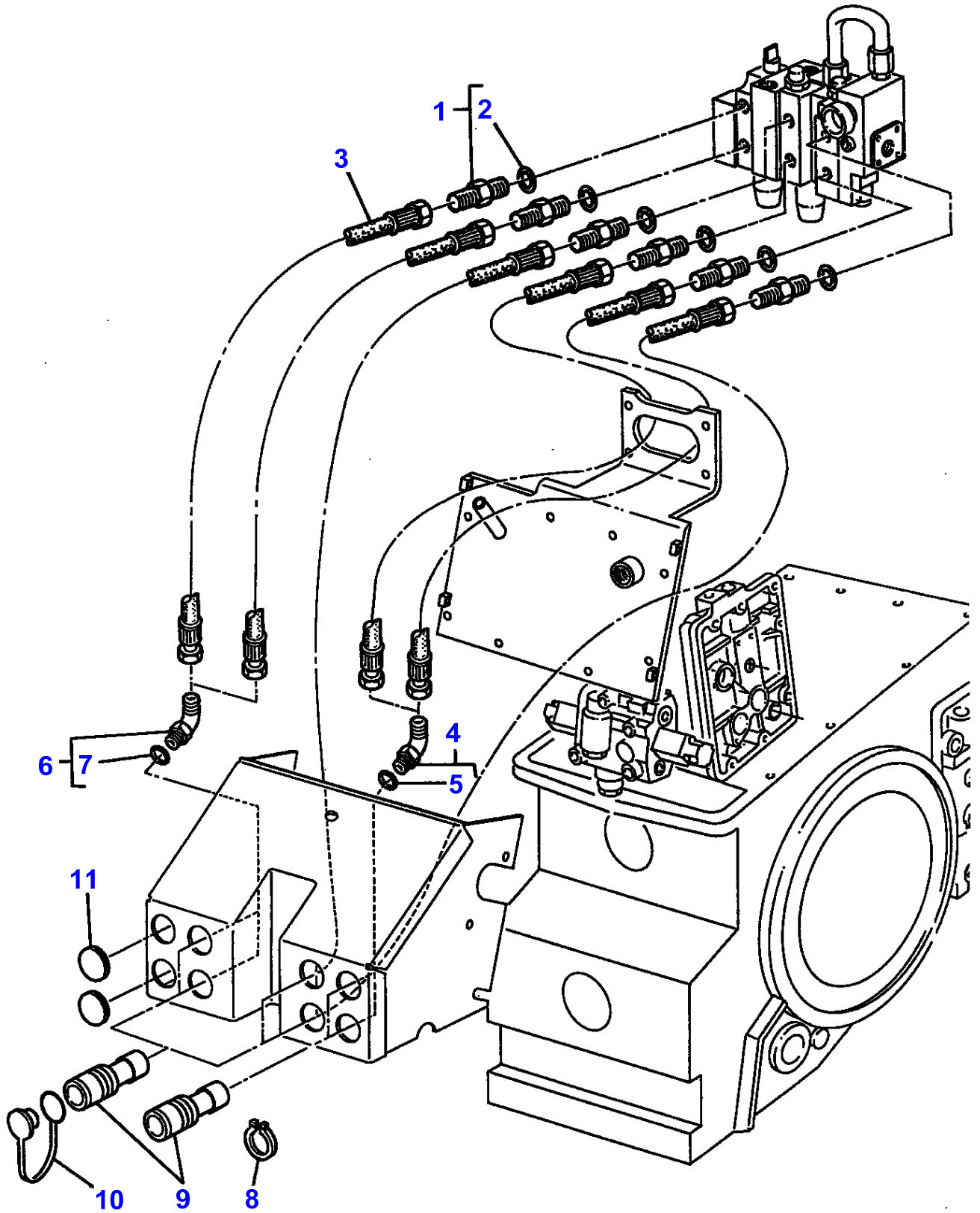
[D]
WITH 3 DISTRIBUTORS

[E]
FOR AUSTRIA UP TO B286007

[F]
NO ILLUSTRATED

[G]
AUSTRIA

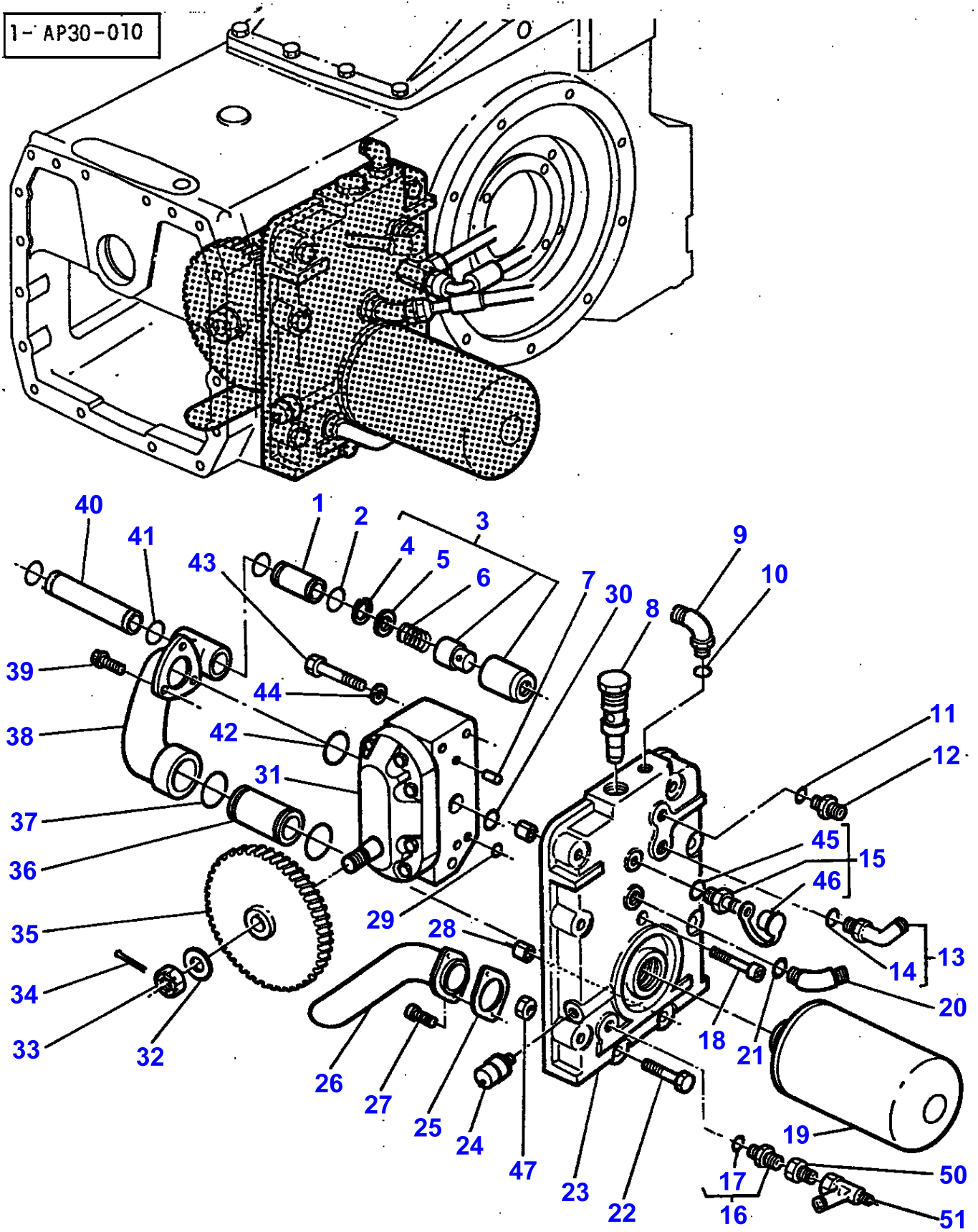
1-AP36-008



AUXILIARY HYDRAULICS-DISTRIBUTOR INSTALLATION

Item	Part Number	Qty	Description	Comments
1	3019387X91	6	Union	
2	3019398X1	1	O Ring	(1)
3	3616196M1	6	Hydr Hose	Length 375MM
4	835007M91	2	Elbow	90'
5	1882958M1	1	O Ring	(4)
6	835010M91	4	Elbow	135'
7	1882958M1	1	O Ring	(6)
8	352972X1	12	Ring	
9	589248M1	6	Coupler	
10	3611673M1	6	Plug	
11	1671689M1	2	Plug	

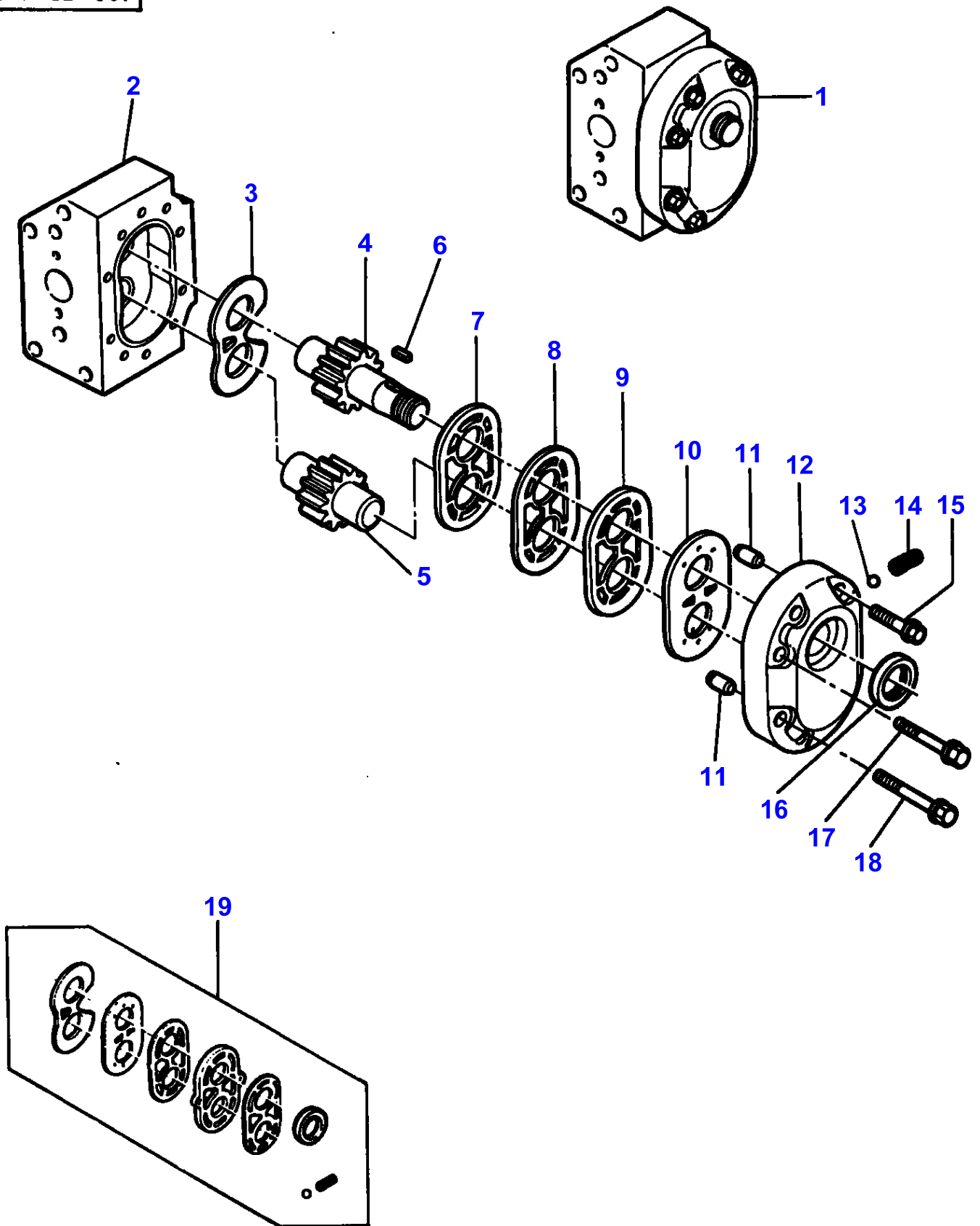
1- AP30-010



HYDRAULICS-HYDRAULIC COVER LH - MOUNTING WITH 2 PUMP

Item	Part Number	Qty	Description	Comments
				MOUNTING WITH 2 PUMP
1	3386533M2	1	Tube	
	3386959M2	1	Tube	[B]
2	364101X1	2	Seal	
3	3387391M94	1	Non Return Valve	4,5 BARS
4	339364X1	1	Clip	(3)
5	3387176M1	1	Washer	(3)
6	3386531M3	1	Spring	(3) Length 48/46 MM
7	3038675M1	2	Pin	
8		1	Valve	See Page - Reference Number 283/
9	3019691X1	1	Union	
10	3019397X1	1	O Ring	
11	3019397X1	1	O Ring	
12	3019386X1	1	Union	
13	3019420X91	1	Union	
14	3019398X1	1	O Ring	(13)
15	3384387M1	1	Pressure Intake	
16	3019391X91	1	Union	
17	3019399X1	1	O Ring	(16)
18	357750X1	1	Screw Unc	
19	3386701M2	1	Hydr. Element	
20	3019595X1	1	Union	
21	3019398X1	1	O Ring	
22	354653X1	6	Screw	Length 69,9MM
	354655X1	2	Bolt Unc	Length 76,2MM
23	3583765M2	1	Cover	
	3619466M1	1	Cover	[B]
24	3582916M91	1	Pressure Switch	
25	3386706M1	1	Gasket	
26	3386715M92	1	Tube	Up to Serial or Engine Number B196012
	3619182M93	1	Tube	From Serial or Engine Number B196013
27	3009281X1	2	Screw	
28	3000705X1	2	Pin	
29	195562M1	1	O Ring	
30	368374X1	1	O Ring	
31		1	Pump	See Page - Reference Number 268/
32	390735X1	1	Nut	
33	353926X1	1	Nut Unf	
34	354061X1	1	Pin	
35	3038915M5	1	Pump Gear	
36	3386960M1	1	Tube	
37	366434X1	2	O Ring	
38	3386714M2	1	Manifold	
	3619228M1	1	Manifold	[B]
39	357838X1	1	Screw Unc	1/4"-20X38
	357831X1	1	Screw	1/4"-20X16
	357842X1	1	Screw	1/4"-20X51
	357838X1	1	Screw Unc	[B] 1/4"-20X38
40	3386711M2	1	Tube	
41	364101X1	2	Seal	
42	831702M1	1	Ring	
43	354628X1	3	Screw	
44	366496X1	3	Washer	
45	831452M2	1	O Ring	(15)
46	3467187M1	1	Cap	(15)
47	3581907M1	1	Nut	"PARKER" M27X2.L8NF
50	3615544M1	1	Union	[A]
51	371360X1	1	Teepiece	[A]
				[A] EXCEPTED NORTH AMERICA
				[B] WITH HEAVY DUTY TRANSMISSION

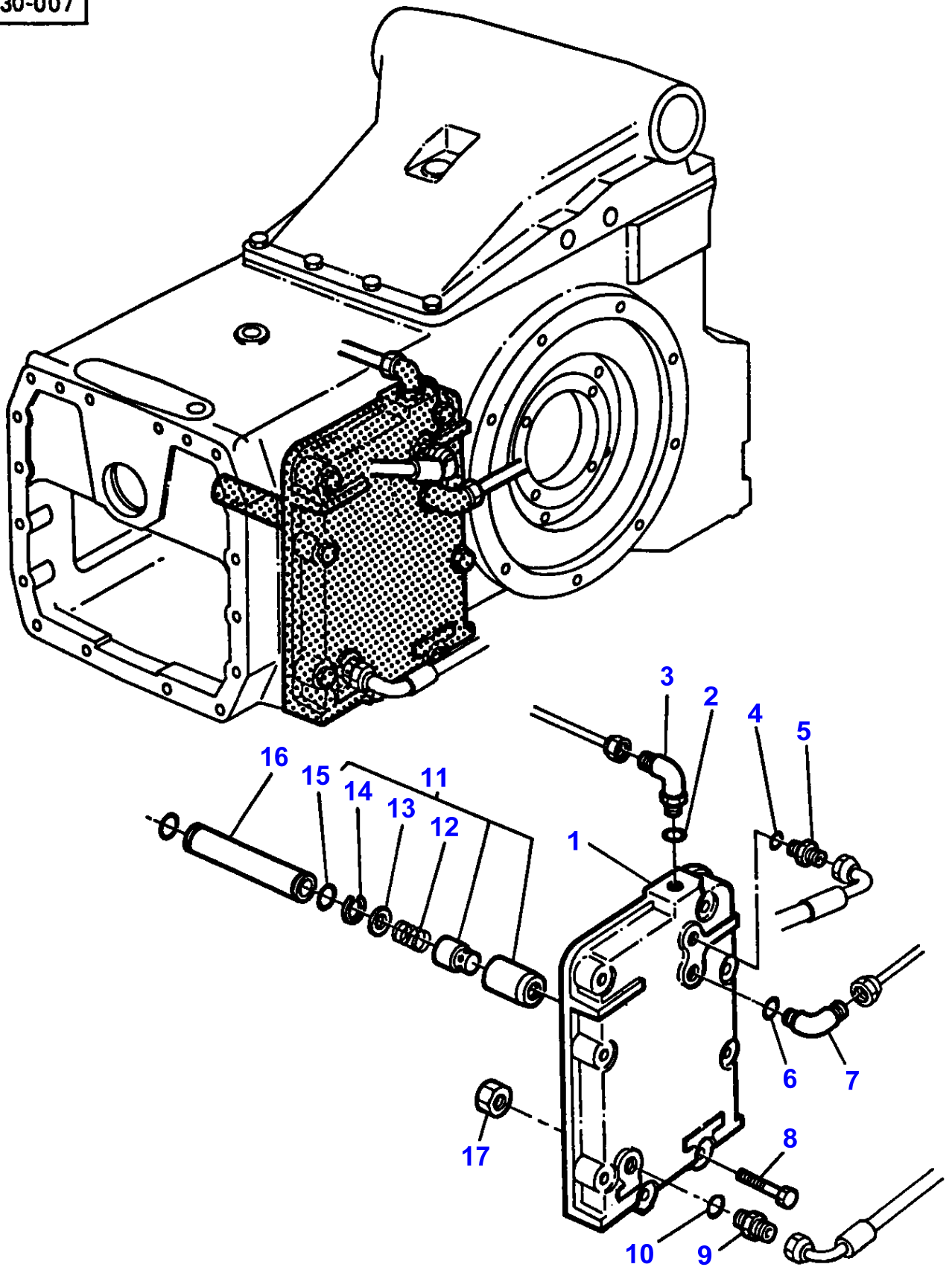
1-AP32-001



HYDRAULIC PUMP - MOUNTING WITH 2 PUMP

Item	Part Number	Qty	Description	Comments
				MOUNTING WITH 2 PUMP
1	3038732M2	1	Pump	
2	1052314M91	1	Bearing Carrier	(1)
3		1	Plate	(1)
				Not serviced, order REF NO 19
4	1051433M91	1	Pinion	(1)
5	1051426M91	1	Pinion	(1)
6	371279X1	1	Key	(1)
7		1	Gasket	(1)
				Not serviced, order REF NO 19
8		1	Protector	(1)
				Not serviced, order REF NO 19
9		1	Gasket	(1)
				Not serviced, order REF NO 19
10		1	Gasket	(1)
				Not serviced, order REF NO 19
11		2	Clevis Pin	(1)
				Not serviced, order REF NO 1
12	1051420M91	1	Plate	(1)
13	361024X1	1	Ball	(1)
14	1051427M1	1	Spring	(1)
15	1088394M1	2	Screw	(1)
16		1	Gasket	(1)
				Not serviced, order REF NO 19
17	1400176M1	2	Screw	(1)
18	371278X1	4	Bolt	(1)
				5/16-18X1-1/2
19	837299M91	1	Parts Pack	(1)

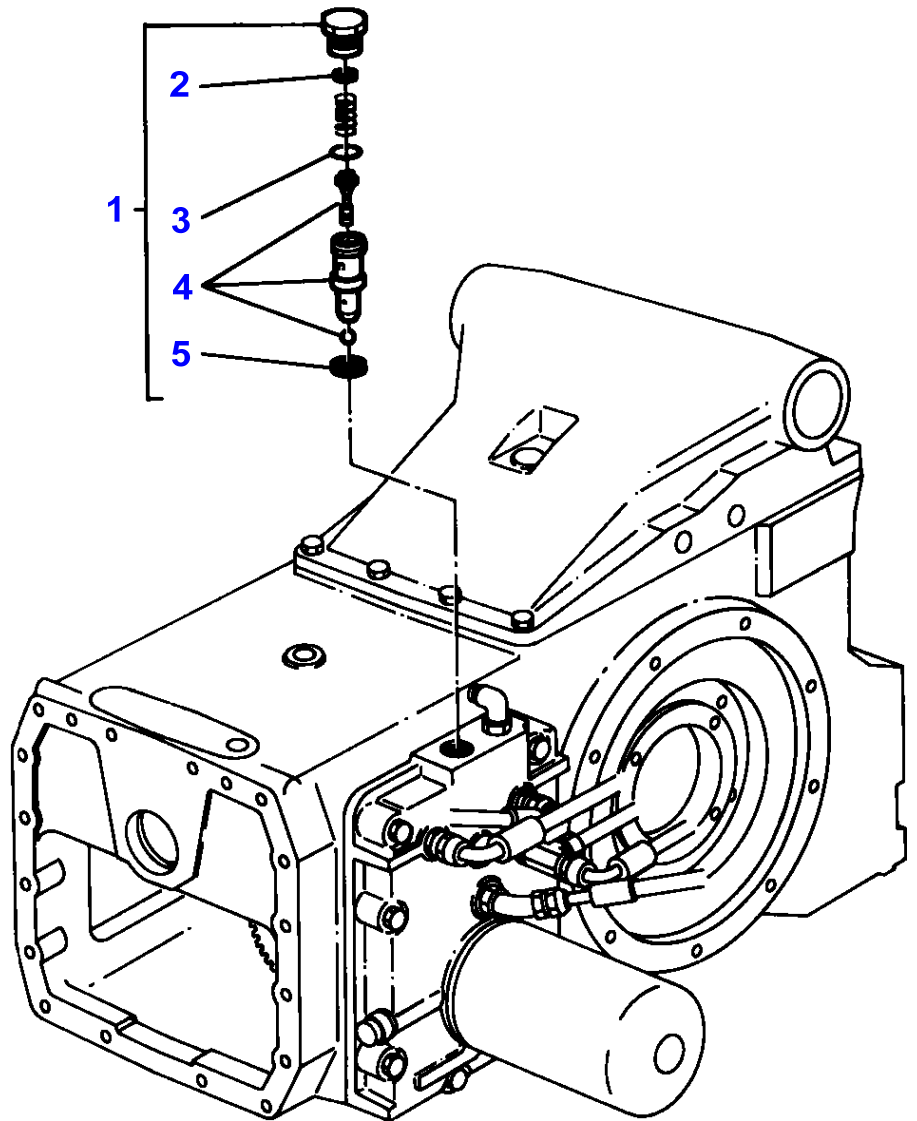
1-AP30-007



HYDRAULICS-HYDRAULIC COVER LH - WITHOUT HYDRAULIC PUMP

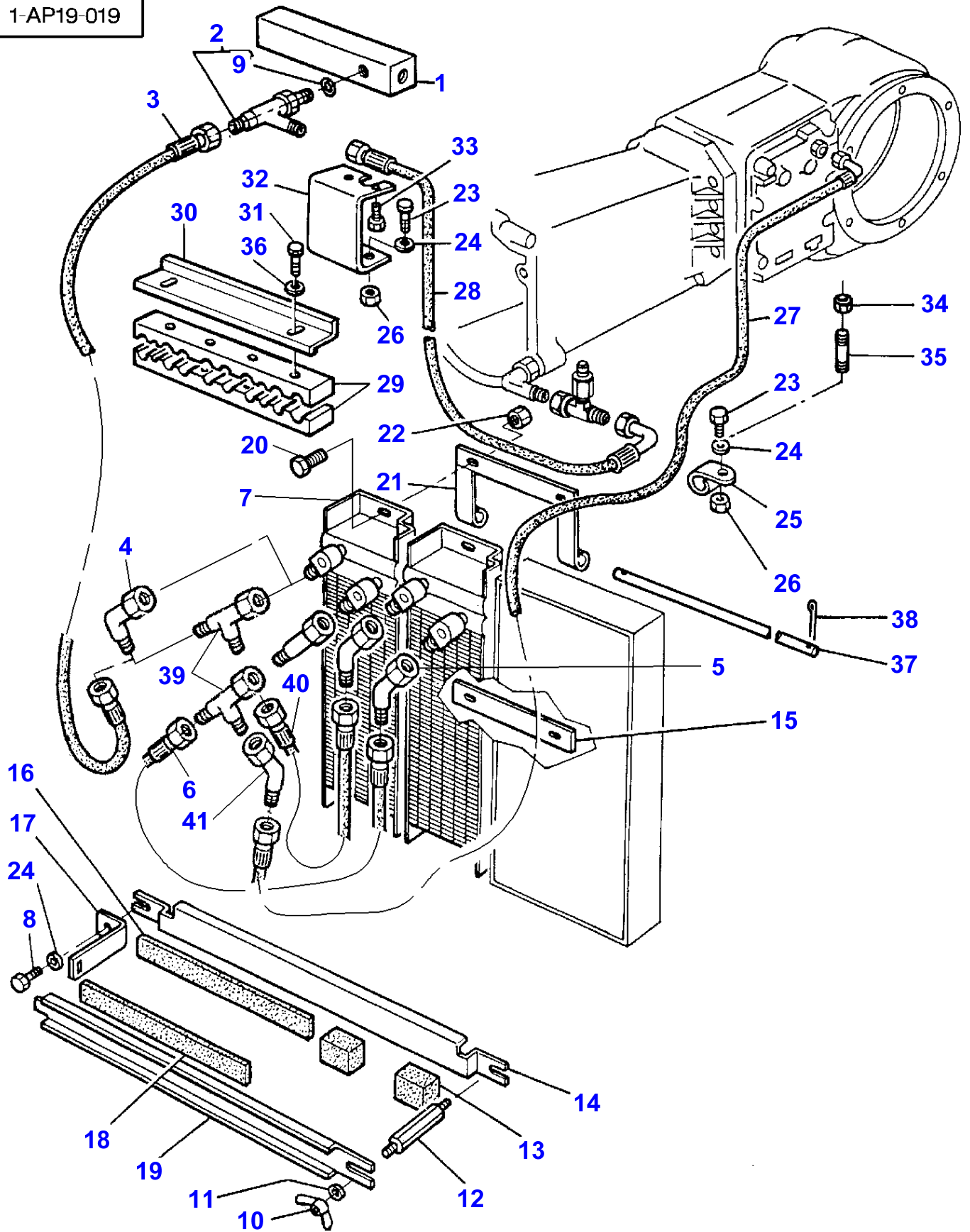
Item	Part Number	Qty	Description	Comments
				WITHOUT HYDRAULIC PUMP
1	3387392M4	1	Cover	
	3619454M1	1	Cover	[C]
2	3019397X1	1	O Ring	
3	3019691X1	1	Union	
4	3019397X1	1	O Ring	
5	3019386X1	1	Union	
6	3019398X1	1	O Ring	
7	3019421X1	1	Union	
8	354653X1	6	Screw	Length 70MM
	354655X1	2	Bolt Unc	Length 76MM
9	3019454X1	1	Union	[A]
	3019647X91	1	Plug	[B]
10	3019455X1	1	O Ring	[A]
11	3387391M94	1	Non Return Valve	4,5 BARS
12	3386531M3	1	Spring	(11) Length 46/48 MM
13	3387176M1	1	Washer	(11)
14	339364X1	1	Clip	(11)
15	364101X1	2	Seal	
16	3386959M2	1	Tube	
17	3581907M1	1	Nut	"PARKER" M27X2.L8NF
				[A] WITH DISTRIBUTOR
				[B] WITHOUT DISTRIBUTOR
				[C] WITH HEAVY DUTY TRANSMISSION

1-AP30-003



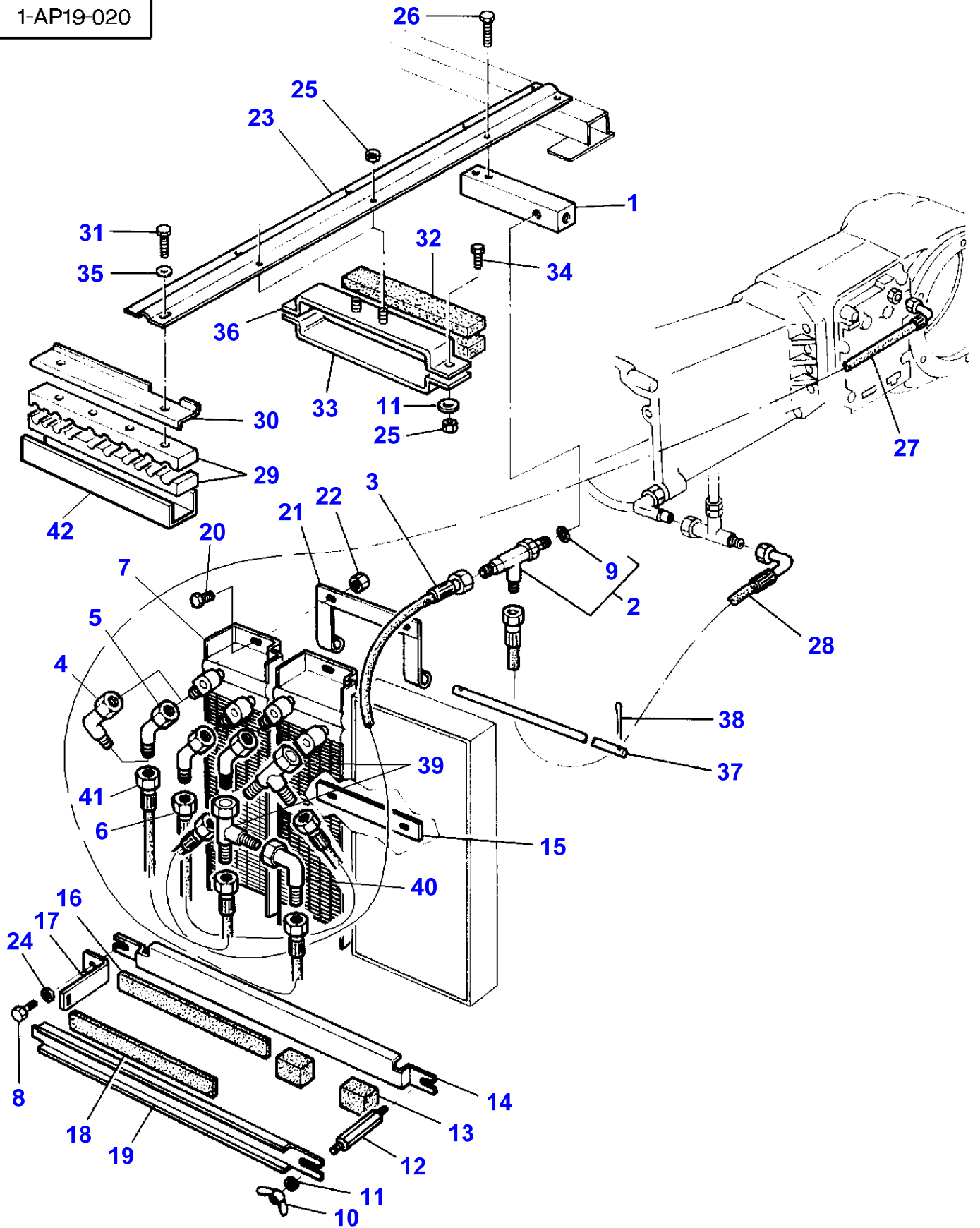
Item	Part Number	Qty	Description	Comments
				VALVE 180 BARS - SECOND HYDRAULIC PUMP
1	3382294M91	1	Valve	
2	1806184M1	1	Shim	(1) Thickness 0,5MM
2	3102068M1	X	Shim	(1) Thickness 0,3MM
2	3102069M1	X	Shim	(1) Thickness 0,4MM
2	3104724M1	X	Shim	(1) Thickness 0,8MM
3	1807116M1	1	O Ring	(1)
4	1807049M1	1	Valve	(1)
5	3104723M1	1	Washer	(1)

1-AP19-019



Item	Part Number	Qty	Description	Comments
				UP TO NO C146005
1	3581691M4	1	Bar	
2	3581694M1	1	Jet	
3	3580783M1	1	Hydr Hose	
4	367386X1	1	Elbow	Up to Serial or Engine Number B307007
5	373784X1	3	Elbow	
6	3385555M1	1	Hydr Hose	
7	3583351M1	2	Cooler	
8	339666X1	1	Screw Metric	
9	3019397X1	1	O Ring	(2)
10	339722X1	1	Nut	
11	390971X1	1	Washer Metric	
12	3582450M1	1	Stud	
13	3582457M1	2	Gasket	
14	3582454M1	1	Transverse	
15	3582451M1	1	Support	
16	3582447M1	1	Rubber	
17	3582459M1	1	Support	
18	3582447M1	1	Rubber	
19	3582448M1	1	Transverse	
20	339123X1	4	Screw Metric	
21	3582453M1	1	Hinge	
22	1441461X1	4	Nut Metric	
23	339761X1	3	Screw Metric	
24	390972X1	X	Washer Metric	
25	3580988M1	3	Clamp	
26	339169X1	3	Nut Metric	
27	3386686M2	1	Hydr Hose	Length 3700MM
28	3386657M1	1	Hydr Hose	
29	3387160M1	2	Bridle	
30	3615682M2	1	Support	
31	339168X1	2	Bolt Metric	
32	3582616M1	1	Support	
33	339560X1	2	Screw Metric	
34	339169X1	1	Nut Metric	
35	3583448M1	1	Stud	
36	390972X1	2	Washer Metric	
37	3389515M1	1	Stem	
38	354059X1	2	Pin	
39	364704X1	2	Teepiece	From Serial or Engine Number B307008
40	373784X1	1	Elbow	From Serial or Engine Number B307008
41	3385555M1	1	Hydr Hose	From Serial or Engine Number B307008

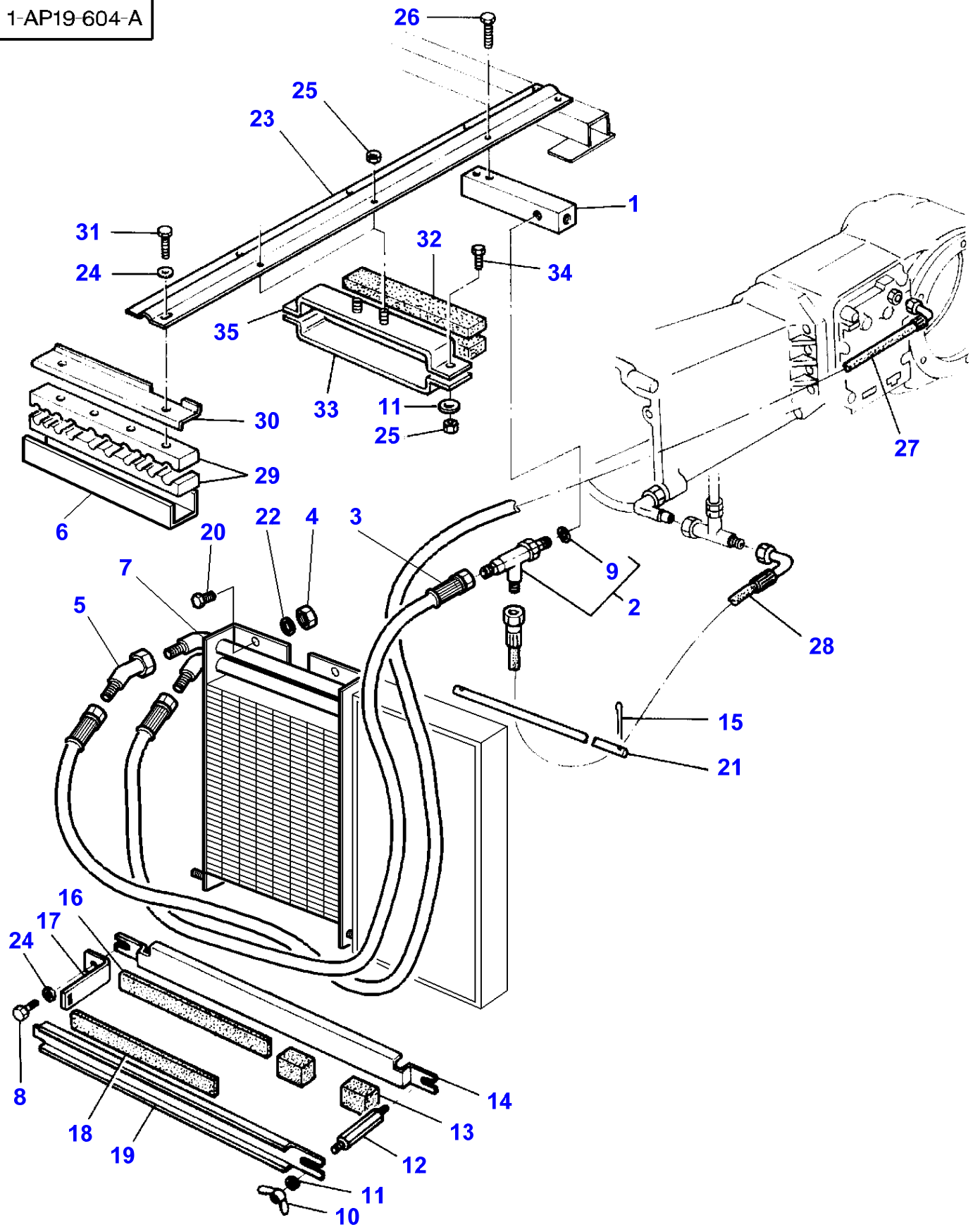
1-AP19-020



Item	Part Number	Qty	Description	Comments
				FROM NO C146006 UP TO 31/07/1995
1	3581691M4	1	Bar	
2	3581694M1	1	Jet	
3	3580783M1	1	Hydr Hose	Length 1570MM
4	367386X1	1	Elbow	Up to Serial or Engine Number B307007
5	373784X1	3	Elbow	
6	3385555M1	1	Hydr Hose	
7	3583351M1	2	Cooler	
8	339666X1	1	Screw Metric	
9	3019397X1	1	O Ring	(2)
10	339722X1	1	Nut	
11	390971X1	3	Washer Metric	
12	3582450M1	1	Stud	
13	3582457M1	2	Gasket	
14	3582454M1	1	Transverse	
15	3582451M1	1	Support	
16	3582447M1	1	Rubber	
17	3582459M1	1	Support	
18	3582447M1	1	Rubber	
19	3582448M1	1	Transverse	
20	339123X1	4	Screw Metric	
21	3582453M1	1	Hinge	
22	1441461X1	4	Nut Metric	
23	3617270M2	1	Support	
24	390972X1	9	Washer Metric	
25	339030X1	8	Nut Metric	
26	339124X1	2	Screw Metric	M8X16
27	3386686M2	1	Hydr Hose	Length 3700MM
28	3386657M1	1	Hydr Hose	
29	3387160M1	2	Bridle	
30	3615682M2	1	Support	
31	339168X1	2	Bolt Metric	
32	3617376M1	4	Gasket	
33	3617490M1	2	Bridle	
34	339560X1	2	Screw Metric	M6X16
35	3617270M2	5	Support	
36	3617489M1	2	Bridle	
37	3389515M1	1	Stem	
38	354059X1	2	Pin	
39	364704X1	2	Teepiece	From Serial or Engine Number B307008
40	373784X1	1	Elbow	From Serial or Engine Number B307008
41	3385555M1	1	Hydr Hose	From Serial or Engine Number B307008
42	3389757M1	1	Support	[A]

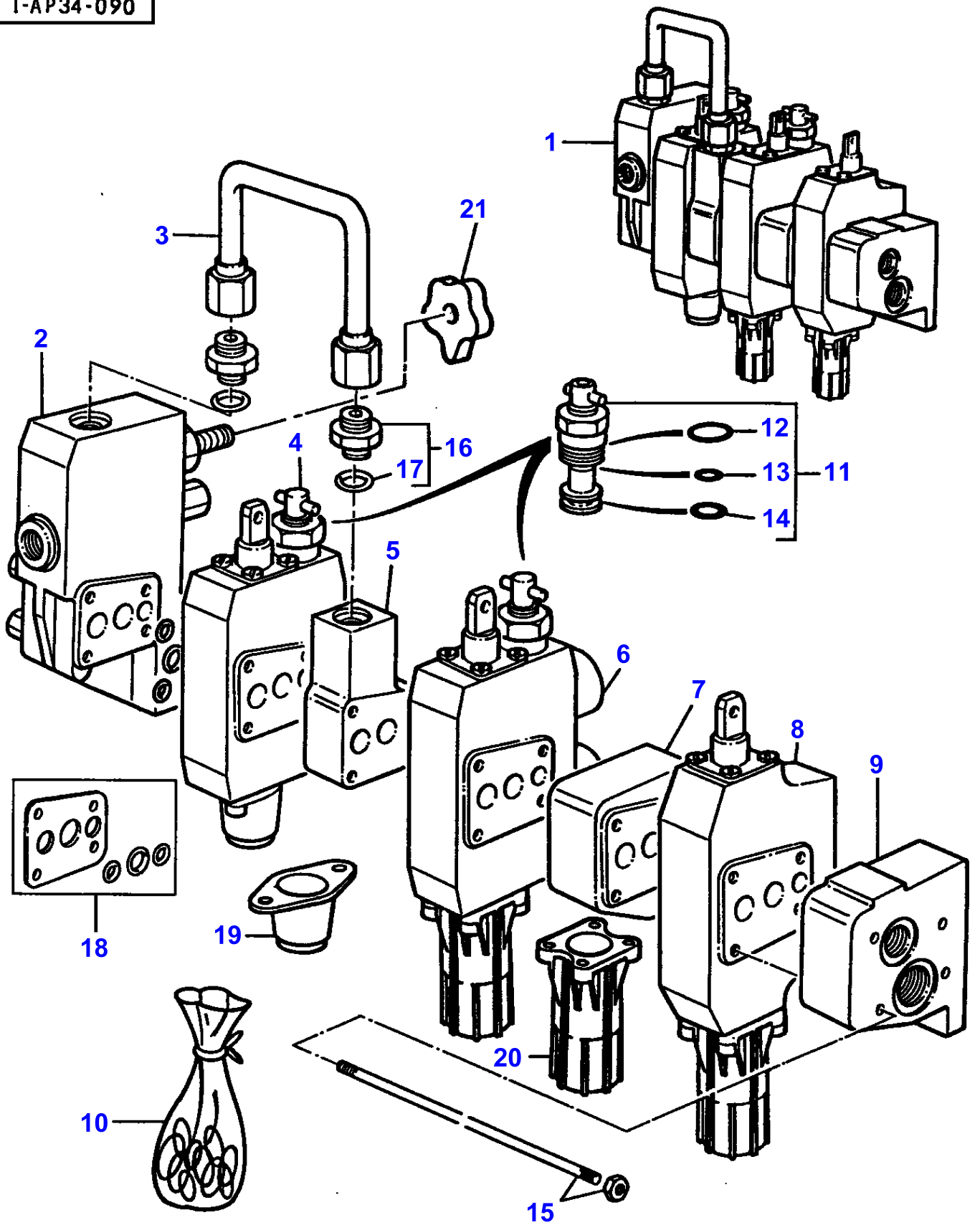
[A]
AUSTRIA

1-AP19-604-A



Item	Part Number	Qty	Description	Comments
				FROM SERIAL 31/ 07/1995
1	3581691M4	1	Bar	
2	3581694M1	1	Jet	
3	3580783M1	1	Hydr Hose	Length 1570MM
4	339169X1	1	Nut Metric	M8
5	373784X1	1	Elbow	135
6	3389757M1	1	Support	
7	3713692M2	1	Oil Cooler	
8	339666X1	1	Screw Metric	
9	3019397X1	1	O Ring	(2)
10	339722X1	1	Nut	
11	390971X1	6	Washer Metric	
12	3582450M1	1	Stud	
13	3582457M1	2	Gasket	
14	3582454M1	1	Transverse	
15	354059X1	2	Pin	
16	3582447M1	1	Rubber	
17	3582459M1	1	Support	
18	3582447M1	1	Rubber	
19	3582448M1	1	Transverse	
20	339009X1	2	Bolt Metric	M8x35
21	3389515M1	1	Stem	
22	3618904M1	2	Spacer	Diameter 10MM
23	3617270M2	1	Support	
24	390972X1	14	Washer Metric	9x17x1,7MM
25	339030X1	8	Nut Metric	
26	339124X1	2	Screw Metric	M8X16
27	3386686M2	1	Hydr Hose	Length 3700MM
28	3386657M1	1	Hydr Hose	
29	3387160M1	2	Bridle	
30	3615682M2	1	Support	
31	339168X1	2	Bolt Metric	M8x50
32	3617376M1	4	Gasket	
33	3617490M1	2	Bridle	
34	339560X1	4	Screw Metric	M6X16
35	3617489M1	2	Bridle	

1-AP34-090



DISTRIBUTOR

Item	Part Number	Qty	Description	Comments
1	3582508M91	1	Distributor	[A,B,C,D] REXROTH 3 DIST.
2	3582523M1	1	Distributor	[D] (1)
3	3467065M91	1	Tube	(1)
4	3582516M1	1	Distributor	[A] (1)
5	3582522M1	1	Spacer	(1)
6	3582518M1	1	Distributor	[B] (1)
7	3582521M1	1	Spacer	(1)
8	3582515M1	1	Distributor	[C] (1)
9	3467955M91	1	Element	(1)
10	3467064M91	1	Kit, Joint	(1)
11	3900435M1	2	Valve	(1) 3467936M1
12	364101X1	1	Seal	(11)
13	1442438X1	1	Ring	(11)
14	359294X1	1	Ring	(11)
15	3580554M2	1	Stud	[E] (1)
16	1886876M91	2	Union	(1)
17	1852568M1	1	O Ring	(16)
18	3600209M91	X	Parts Pack	(1)
19	3600431M1	1	Case Assy	(4)
20	3600430M1	1	Case Assy	(6)
	3600430M1	1	Case Assy	(8)
21	3900300M1	1	Button	(2)

[A]
3 POSITIONS - SIMPLE OR DOUBLE ACTING

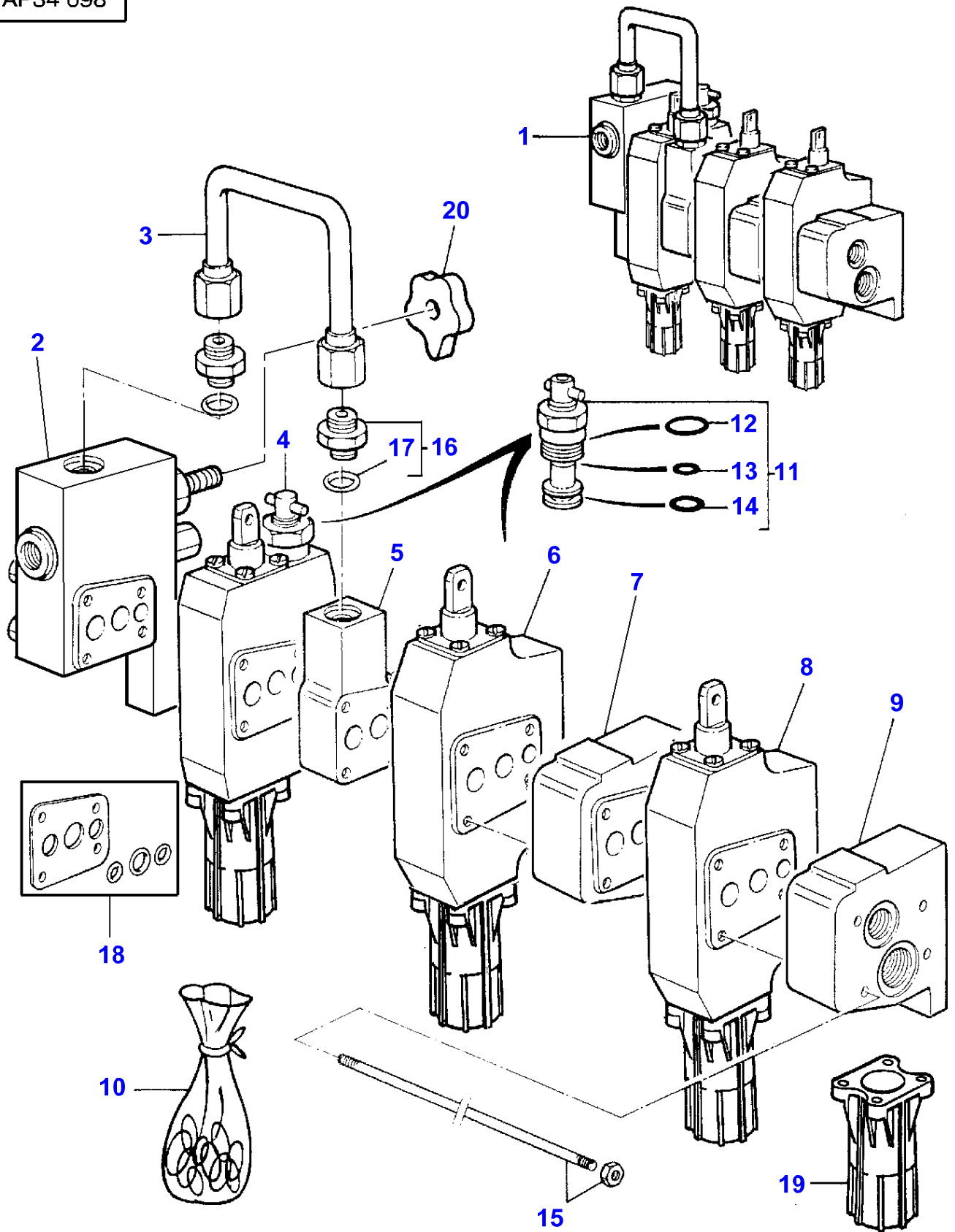
[B]
3 POSITION ZERO LEAK DISTRIBUTOR SIMPLE AND DOUBLE ACTION WITH HYDRAULIC KICK-OUT

[C]
4 POSITION DISTRIBUTOR, 1 FLOATING, DOUBLE ACTION WITH HYDRAULIC KICK-OUT

[D]
FLOW DIVIDER SLICE

[E]
INCLUDES 4 STUD AND 4 NUT

1-AP34-098



Item	Part Number	Qty	Description	Comments
				FOR GERMANY ONLY
1	3619672M91	1	Distributor	[E] REXROTH 3 DIST.
2	3582523M1	1	Distributor	[A] (1)
3	3582522M1	1	Spacer	(1)
4	3582517M1	1	Distributor	[B] (1)
5	3582522M1	1	Spacer	(1)
6	3582515M1	1	Distributor	(1)
7	3582521M1	1	Spacer	(1)
8	3582515M1	1	Distributor	[C] (1)
9	3467955M91	1	Element	(1)
10	3600270M91	1	Kit, Joint	(1)
11	3900435M1	1	Valve	(1)
12	364101X1	1	Seal	(11)
13	1442438X1	1	Ring	(11)
14	359294X1	1	Ring	(11)
15	3600466M91	1	Parts Pack	[D] (1)
16	1886876M91	1	Union	(1)
17	1852568M1	1	O Ring	(16)
18	3600209M91	1	Parts Pack	(1)
19	3600430M1	1	Case Assy	(8)
20	3900300M1	1	Button	(2)

[A]
FLOW DIVIDER SLICE

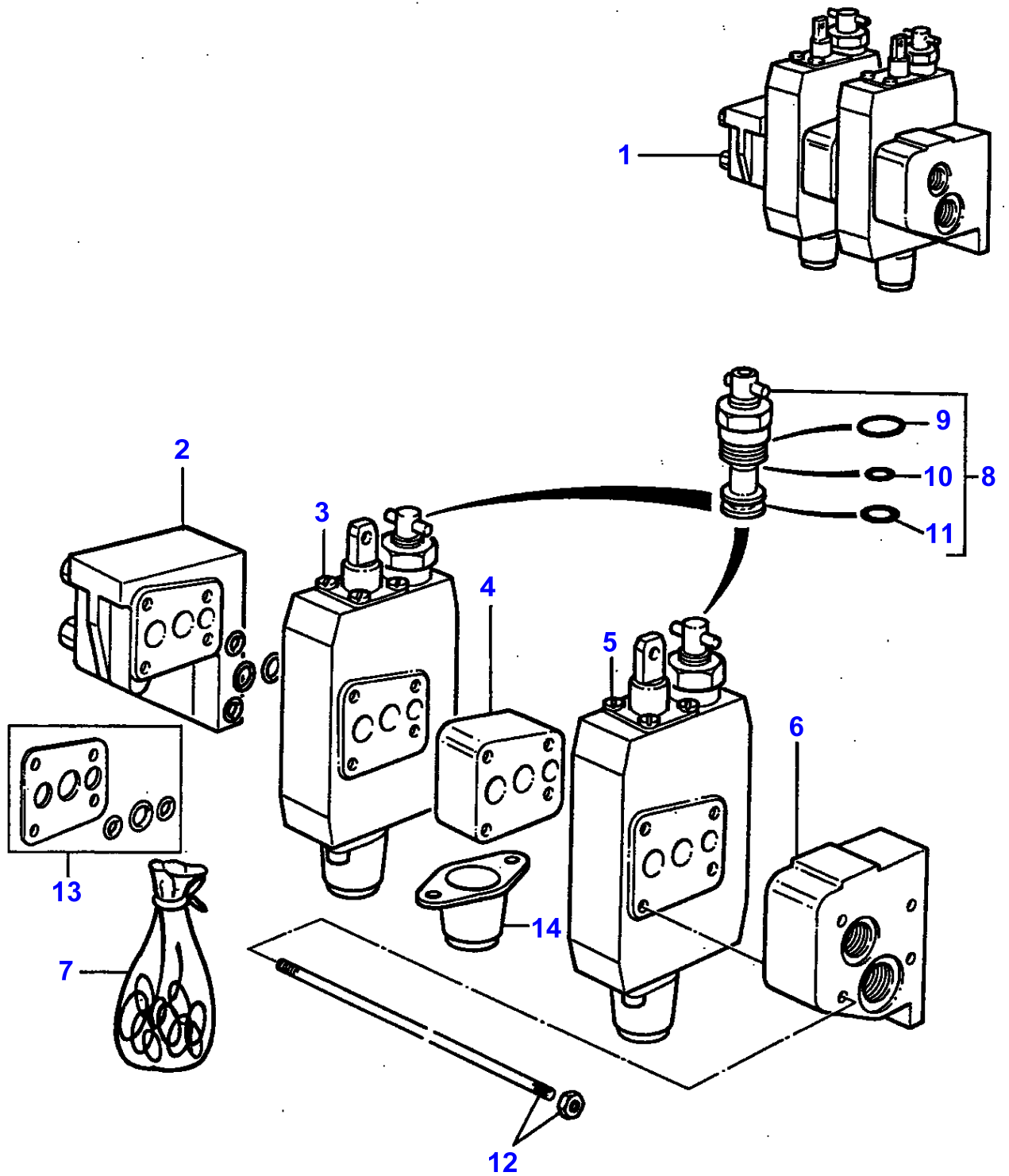
[B]
3 POSITION DISTRIBUTOR SIMPLE AND DOUBLE ACTION WITH HYDRAULIC KICK-OUT

[C]
4 POSITION DISTRIBUTOR, 1 FLOATING, DOUBLE ACTION WITH HYDRAULIC KICK-OUT

[D]
INCLUDES 4 STUD AND 4 NUT

[E]
3 POSITIONS - SIMPLE OR DOUBLE ACTING

1-AP34-087

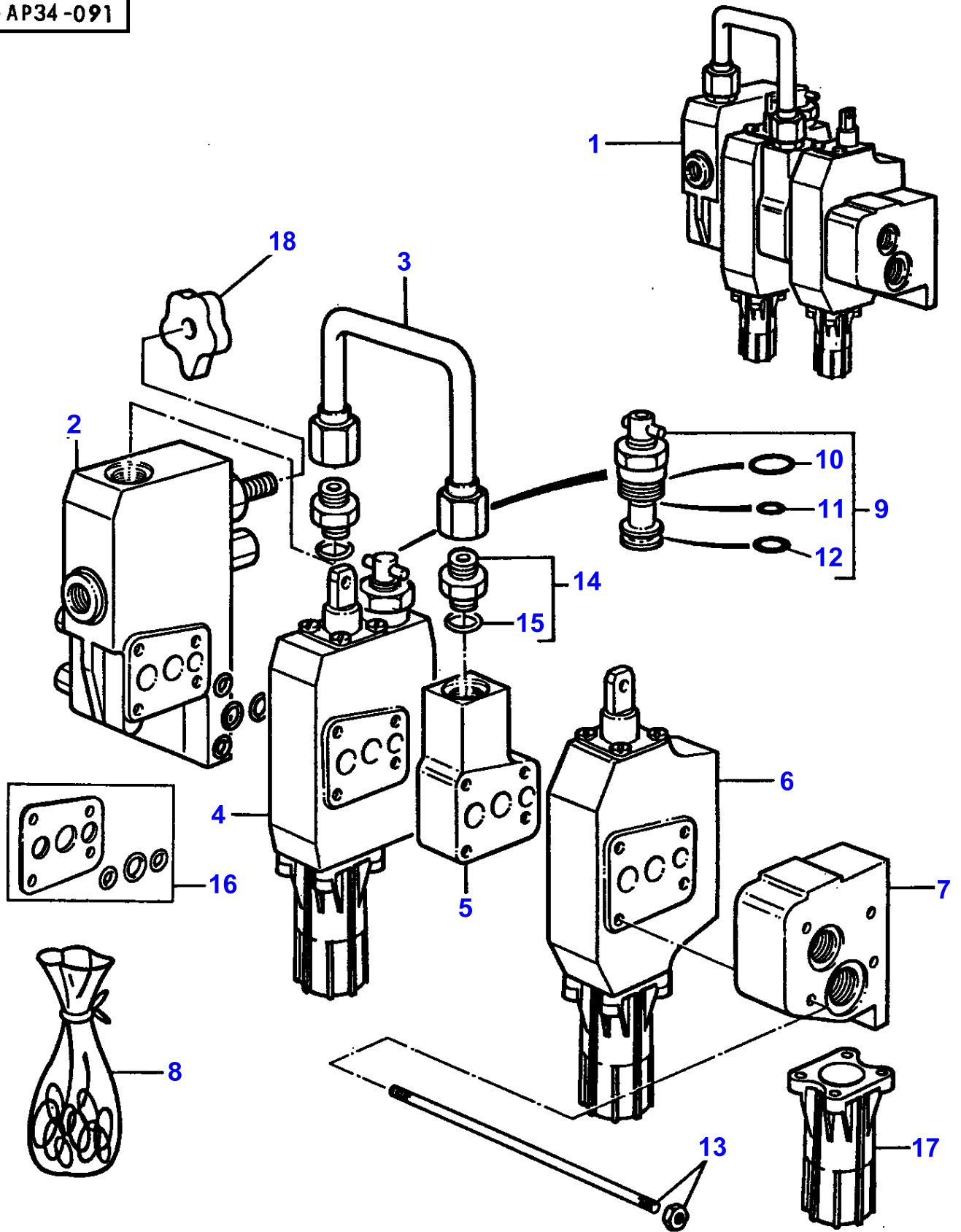


DISTRIBUTOR - MANUAL NEUTRAL POSITION

Item	Part Number	Qty	Description	Comments
				MANUAL NEUTRAL POSITION
1	3582505M91	1	Distributor	[A] 2 DIST.
2	3467954M92	1	Element	(1)
3	3582516M1	1	Distributor	(1)
4	3582521M1	1	Spacer	(1)
5	3582516M1	1	Distributor	(1)
6	3467955M91	1	Element	(1)
7	3467061M91	1	Kit,Joint/Gasket	
8	3900435M1	2	Valve	(1) 3467936M1
9	364101X1	1	Seal	(8)
10	1442438X1	1	Ring	(8)
11	359294X1	1	Ring	(8)
12	3467687M91	1	Parts Pack	(1)
13	3600209M91	X	Parts Pack	(1)
14	3600431M1	1	Case Assy	(3)
	3600431M1	1	Case Assy	(5)

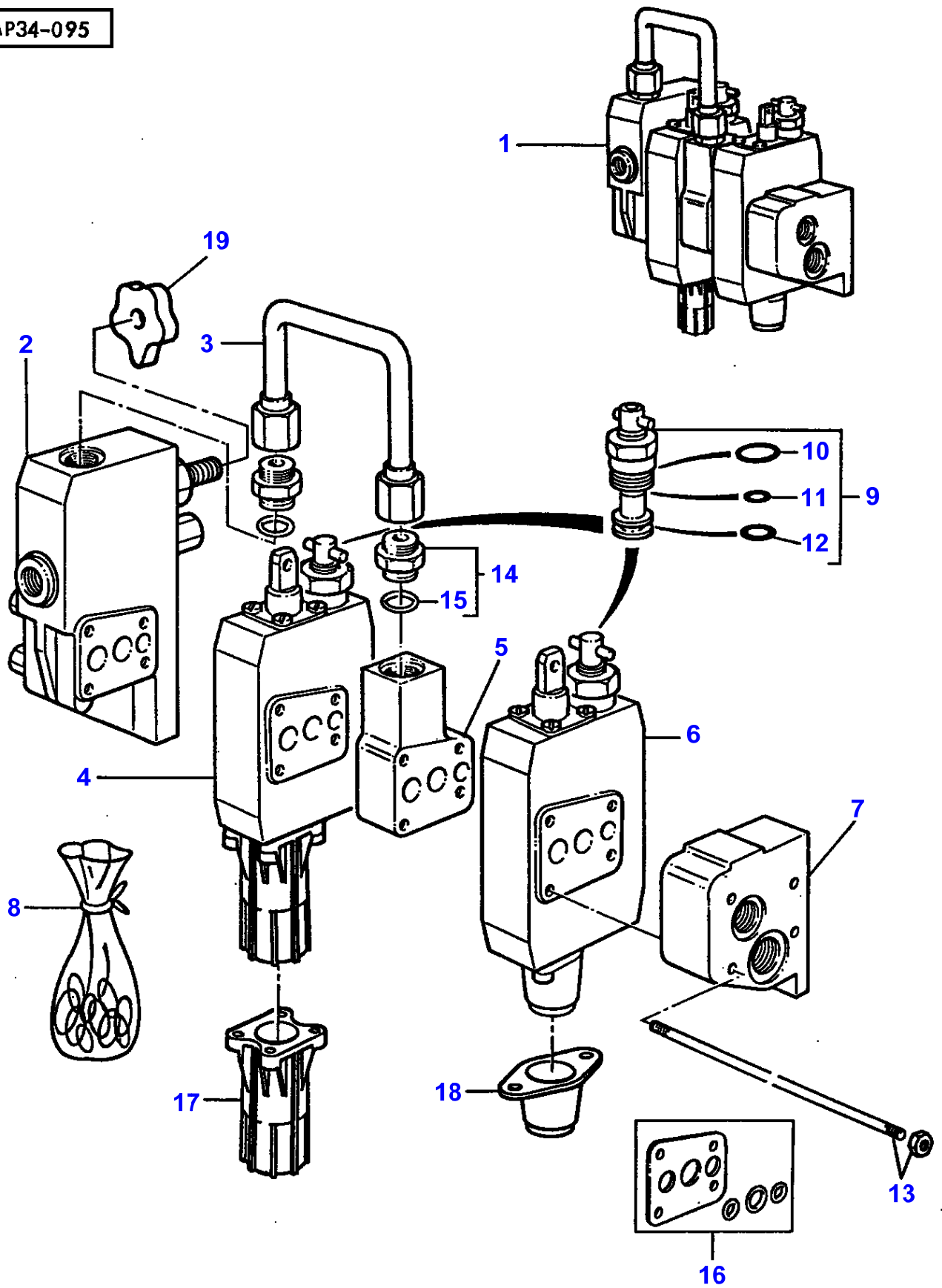
[A]
3 POSITIONS - SIMPLE OR DOUBLE ACTING

1-AP34-091



Item	Part Number	Qty	Description	Comments
				AUTOMATIC NEUTRAL POSITION, - WITH FLOW DIVIDER
1	3582507M91	1	Distributor	[A,B,C] REXROTH 2 DIST.
2	3582523M1	1	Distributor	[C] (1)
3	3467065M91	1	Tube	(1)
4	3582517M1	1	Distributor	[B] (1)
5	3582522M1	1	Spacer	(1)
6	3582515M1	1	Distributor	[A] (1)
7	3467955M91	1	Element	(1)
8	3467063M91	1	Kit, Joint	(1)
9	3900435M1	1	Valve	(4) 3467936M1
10	364101X1	1	Seal	(9)
11	1442438X1	1	Ring	(9)
12	359294X1	1	Ring	(9)
13	3467687M91	1	Parts Pack	
14	1886876M91	2	Union	(1)
15	1852568M1	1	O Ring	(14)
16	3600209M91	X	Parts Pack	(1)
17	3600430M1	1	Case Assy	(4)
	3600430M1	1	Case Assy	(6)
18	3900300M1	1	Button	(2)
				[A] 4 POSITION DISTRIBUTOR, 1 FLOATING, DOUBLE ACTION WITH HYDRAULIC KICK-OUT
				[B] 3 POSITION DISTRIBUTOR SIMPLE AND DOUBLE ACTION WITH HYDRAULIC KICK-OUT
				[C] FLOW DIVIDER SLICE

1-AP34-095



DISTRIBUTOR - AUTOMATIC NEUTRAL POSITION

Item	Part Number	Qty	Description	Comments
				AUTOMATIC NEUTRAL POSITION
1	3616205M91	1	Distributor	[A,B,C,D] REXROTH 2 DIST.
2	3582523M1	1	Distributor	[A] (1)
3	3467065M91	1	Tube	(1)
4	3582517M1	1	Distributor	[B] (1)
5	3582522M1	1	Spacer	(1)
6	3580576M2	1	Distributor	[C] (1)
7	3467955M91	1	Element	(1)
8	3467064M91	1	Kit, Joint	(1)
9	3900435M1	2	Valve	(1) 3467936M1
10	364101X1	1	Seal	(9)
11	1442438X1	1	Ring	(9)
12	359294X1	1	Ring	(9)
13	3600466M91	1	Parts Pack	(1)
14	1886876M91	2	Union	(1)
15	1852568M1	1	O Ring	(14)
16	3600209M91	X	Parts Pack	(1)
17	3600430M1	1	Case Assy	(4)
18	3600431M1	1	Case Assy	(6)
19	3900300M1	1	Button	(2)

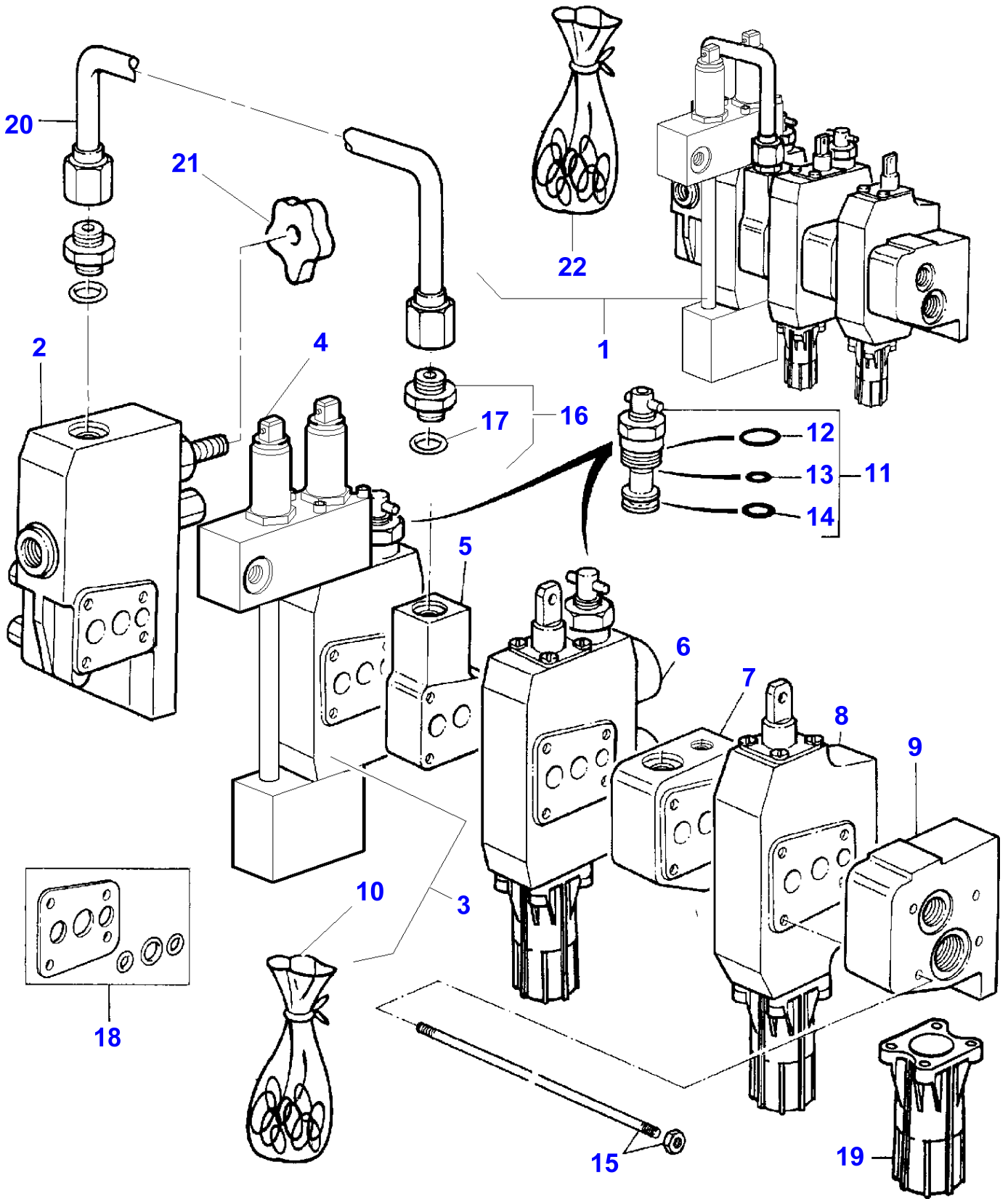
[A]
FLOW DIVIDER SLICE

[B]
3 POSITION DISTRIBUTOR SIMPLE AND DOUBLE ACTION WITH HYDRAULIC
KICK-OUT

[C]
3 POSITION ZERO LEAK DISTRIBUTOR SIMPLE AND DOUBLE ACTION

[D]
FOR AUSTRIA UP TO B286007

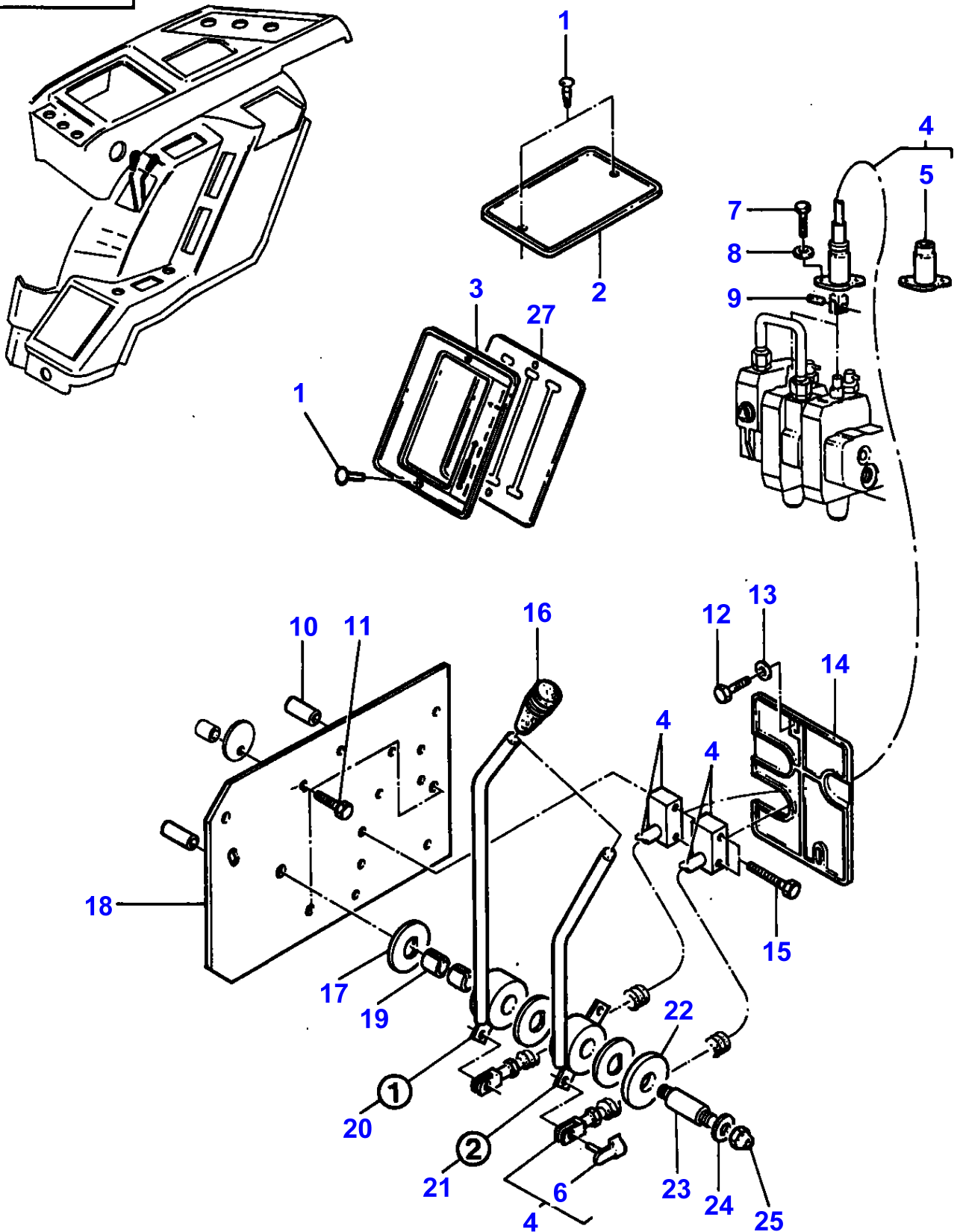
1-AP34-097



DISTRIBUTOR - DUAL CONTROL

Item	Part Number	Qty	Description	Comments
				DUAL CONTROL
1	3618064M91	1	Distributor	[F] REXROTH 3 DISTR.
1	3618063M91	1	Distributor	[G] REXROTH 3 DISTR.
2	3582523M1	1	Distributor	[C] (1)
3	3617806M1	1	Distributor	[A] (1)
4	3900512M92	1	Pressure Valve	(1)
5	3580588M2	1	Spacer	(1)
6	3582518M1	1	Distributor	[D] (1)
7	3600269M1	1	Element	[F] (1)
	3580587M2	1	Spacer	[G] (1)
8	3582515M1	1	Distributor	[B] (1)
9	3467052M92	1	Element	(1)
10	3900513M91	1	Kit, Joint	(3)
11	3900435M1	2	Valve	(1)
12	364101X1	1	Seal	(11)
13	1442438X1	1	Ring	(11)
14	359294X1	1	Ring	(11)
15	3580554M2	1	Stud	[E] (1) Length 243MM
15	3617807M2	1	Draglink	[E] Length 261MM
15	3617809M2	1	Draglink	[E] Length 237MM
16	1886876M91	2	Union	(1)
17	1852568M1	1	O Ring	(16)
18	3600209M91	X	Parts Pack	(1)
19	3600430M1	1	Case Assy	(6)
	3600430M1	1	Case Assy	(8)
20	3467065M91	1	Tube	(1)
21	3900300M1	1	Button	(2)
22	3900511M91	1	Kit, Joint	(1)
				[A] 3 POSITIONS - SIMPLE OR DOUBLE ACTING
				[B] 4 POSITION DISTRIBUTOR, 1 FLOATING, DOUBLE ACTION WITH HYDRAULIC KICK-OUT
				[C] FLOW DIVIDER SLICE
				[D] 3 POSITION ZERO LEAK DISTRIBUTOR SIMPLE AND DOUBLE ACTION WITH HYDRAULIC KICK-OUT
				[E] INCLUDES 4 STUD AND 4 NUT
				[F] FOR DUAL PUMP
				[G] FOR SINGLE PUMP

1 - AP35 - 029

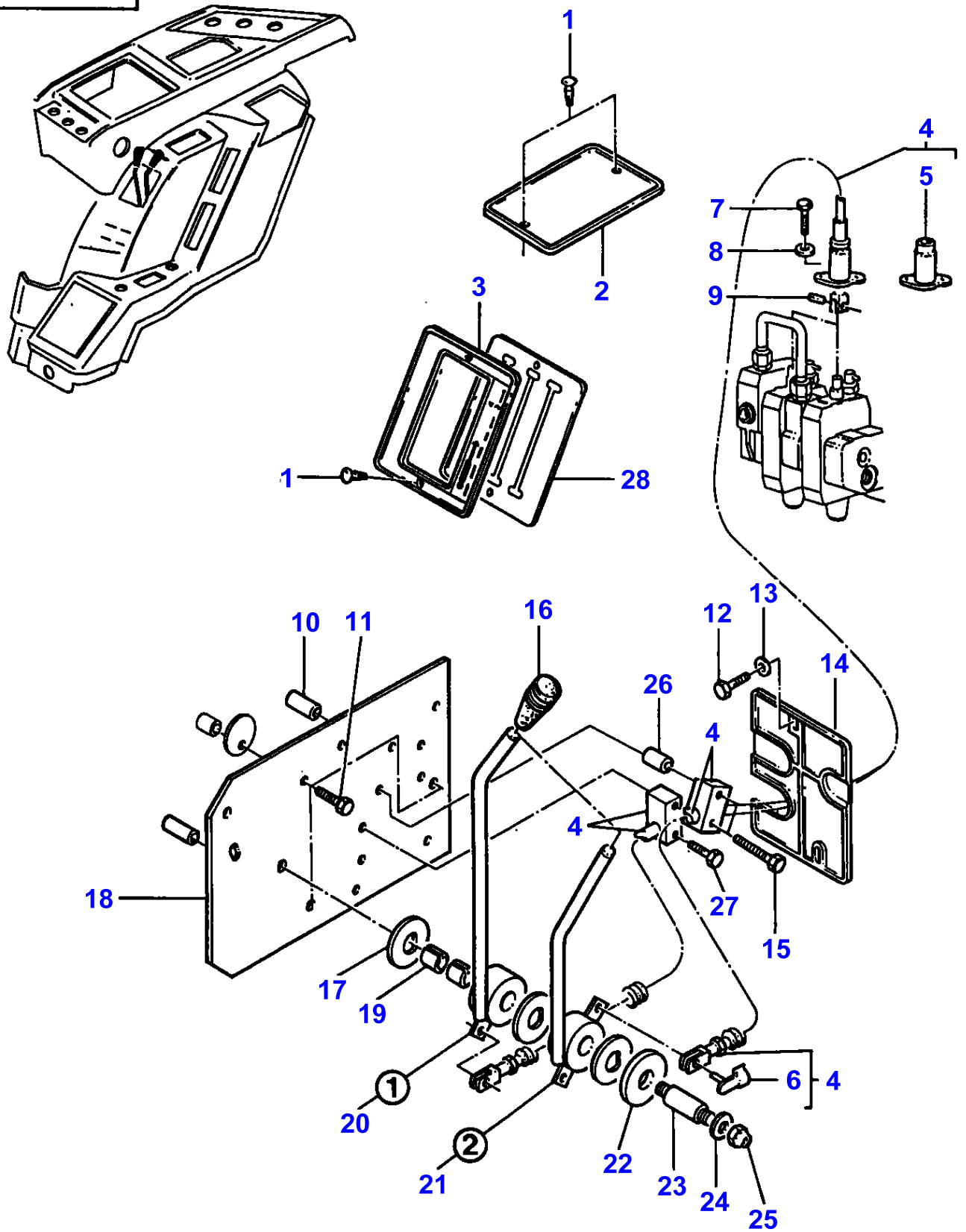


AUXILIARY HYDRAULICS - CONTROL WITH 2 DISTRIBUTOR

Item	Part Number	Qty	Description	Comments
				CONTROL WITH 2 DISTRIBUTOR
1	3616374M1	4	Rivet	
2	3580242M2	1	Plate	
3	3615816M1	1	Cover	
4	3582422M3	2	Hydraulic Cable	
5	3600254M91	1	Parts Pack	(4)
6	3600190M1	1	Clevis Pin	(4) Length 28MM
6	3600191M1	1	Clevis Pin	(4) Length 40 MM
7	339721X1	4	Screw Metric	[A] M5X16
8	390971X1	4	Washer Metric	[A] Diameter 6MM
9	3387566M2	2	Clevis Pin	[A]
10	3582393M1	2	Spacer	
11	339168X1	3	Bolt Metric	
12	339124X1	2	Screw Metric	
13	390972X1	2	Washer Metric	
14	3582196M2	1	Plate	
15	391884X1	2	Bolt Metric	M6X50
16	3387529M2	2	Handle	
17	3386514M1	3	Friction Disc	
18	3582399M92	1	Plate	
19	3386515M1	2	Bearing	
20	3581508M94	1	Lever	
21	3581509M94	1	Lever	
22	3387447M1	1	Washer	
23	3582411M1	1	Clevis Pin	Length 70MM
24	390972X1	1	Washer Metric	
25	1441461X1	1	Nut Metric	
27	3615897M1	1	Dust Shield	

[A]
FOR AUSTRIA UP TO B286007

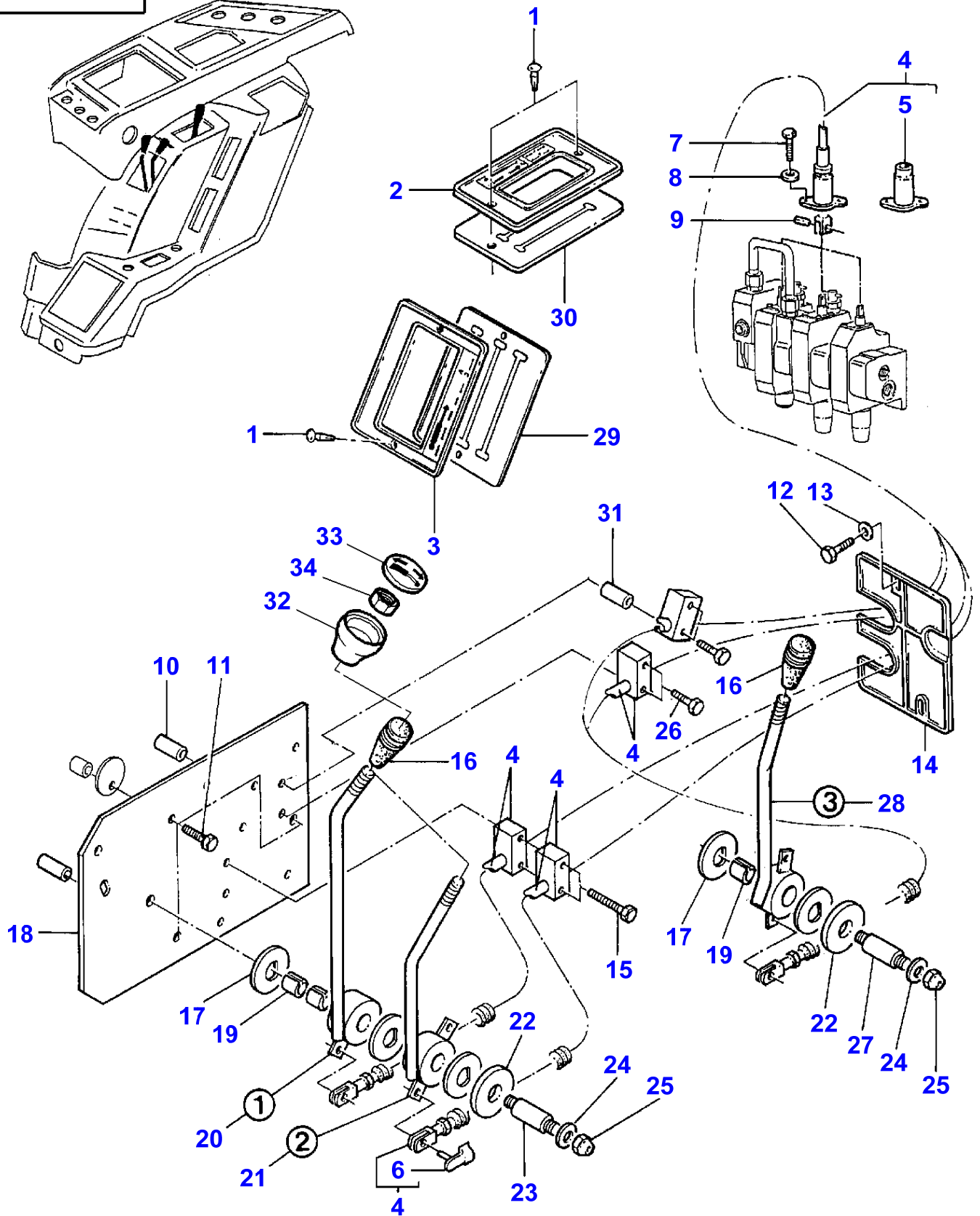
1 - AP35 - 025



MASSEY FERGUSON**MF 3690 TRACTOR - 1637223****1637223****AUXILIARY HYDRAULICS - CONTROL WITH 2 DISTRIBUTOR, 1 WITH FLOATING POSITION****294**

Item	Part Number	Qty	Description	Comments
				CONTROL WITH 2 DISTRIBUTOR, 1 WITH FLOATING POSITION
1	3616374M1	4	Rivet	
2	3580242M2	1	Plate	
3	3615816M1	1	Cover	
4	3582422M3	2	Hydraulic Cable	
5	3600254M91	1	Parts Pack	(4)
6	3600190M1	1	Clevis Pin	(4) Length 28MM
6	3600191M1	1	Clevis Pin	(4) Length 40MM
7	339721X1	4	Screw Metric	M5X16
8	390971X1	4	Washer Metric	
9	3387566M2	2	Clevis Pin	
10	3582393M1	2	Spacer	
11	339168X1	3	Bolt Metric	
12	339124X1	2	Screw Metric	
13	390972X1	2	Washer Metric	
14	3582196M2	1	Plate	
15	391884X1	2	Bolt Metric	M6X50
16	3387529M2	2	Handle	
17	3386514M1	3	Friction Disc	
18	3582399M92	1	Plate	
19	3386515M1	2	Bearing	
20	3581508M94	1	Lever	
21	3581509M94	1	Lever	
22	3387447M1	1	Washer	
23	3582411M1	1	Clevis Pin	
24	390972X1	1	Washer Metric	
25	1441461X1	1	Nut Metric	
26	3582836M1	1	Spacer	
27	339262X1	1	Bolt Metric	M6X30
28	3615897M1	1	Dust Shield	

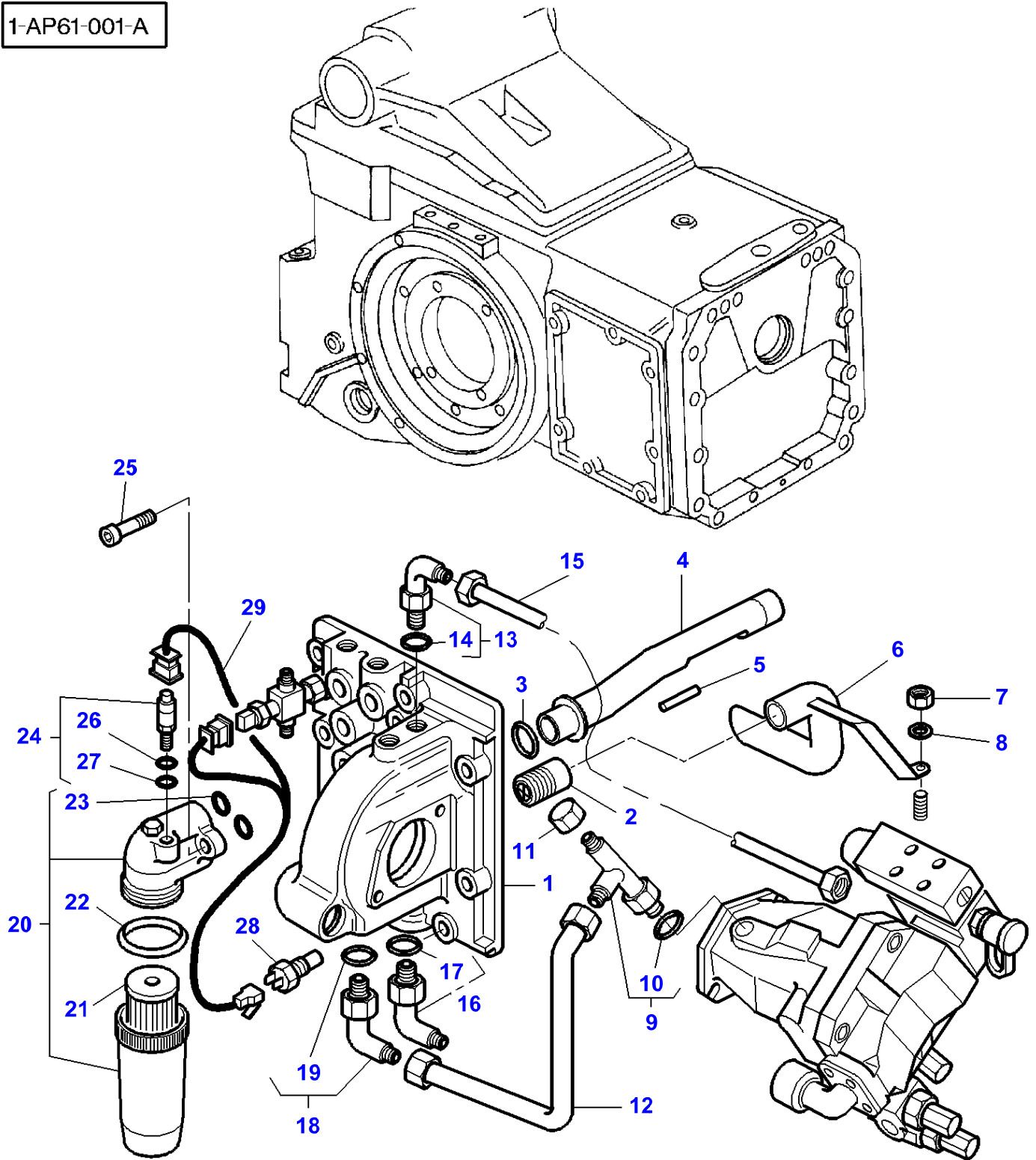
1-AP35-505-A



AUXILIARY HYDRAULICS

Item	Part Number	Qty	Description	Comments
1	3616374M1	4	Rivet	
2	3615818M1	1	Cover	
3	3615816M1	1	Cover	
4	3582422M3	3	Hydraulic Cable	Length 1080MM
	3618731M2	3	Cable	Length 1240MM
5	3600254M91	1	Parts Pack	(4)
6	3600190M1	1	Clevis Pin	(4)
				Length 28MM
6	3600191M1	1	Clevis Pin	(4)
				Length 40MM
7	339721X1	6	Screw Metric	M5X16
8	390971X1	6	Washer Metric	
9	3387566M2	3	Clevis Pin	
10	3582393M1	2	Spacer	
11	339168X1	3	Bolt Metric	
12	339124X1	2	Screw Metric	
13	390972X1	2	Washer Metric	
14	3582196M2	1	Plate	
15	391884X1	2	Bolt Metric	M6X50
16	3387529M2	3	Handle	
17	3386514M1	5	Friction Disc	
18	3582399M92	1	Plate	
19	3386515M1	3	Bearing	
20	3581508M94	1	Lever	
21	3581509M94	1	Lever	
22	3387447M1	1	Washer	
23	3582411M1	1	Clevis Pin	Length 70MM
24	390972X1	1	Washer Metric	
25	1441461X1	2	Nut Metric	
26	339262X1	X	Bolt Metric	
27	3582412M1	1	Clevis Pin	Length 50MM
28	3581510M94	1	Lever	
29	3615897M1	1	Dust Shield	
30	3615896M1	1	Dust Shield	
31	3582836M1	1	Spacer	[B]
32	3900989M1	3	Handle	[A]
33	3900933M1	3	Note Plate	[A]
34	339169X1	3	Nut Metric	[A]
				[A]
				AUSTRIA
				[B]
				FOR GERMANY ONLY

1-AP61-001-A

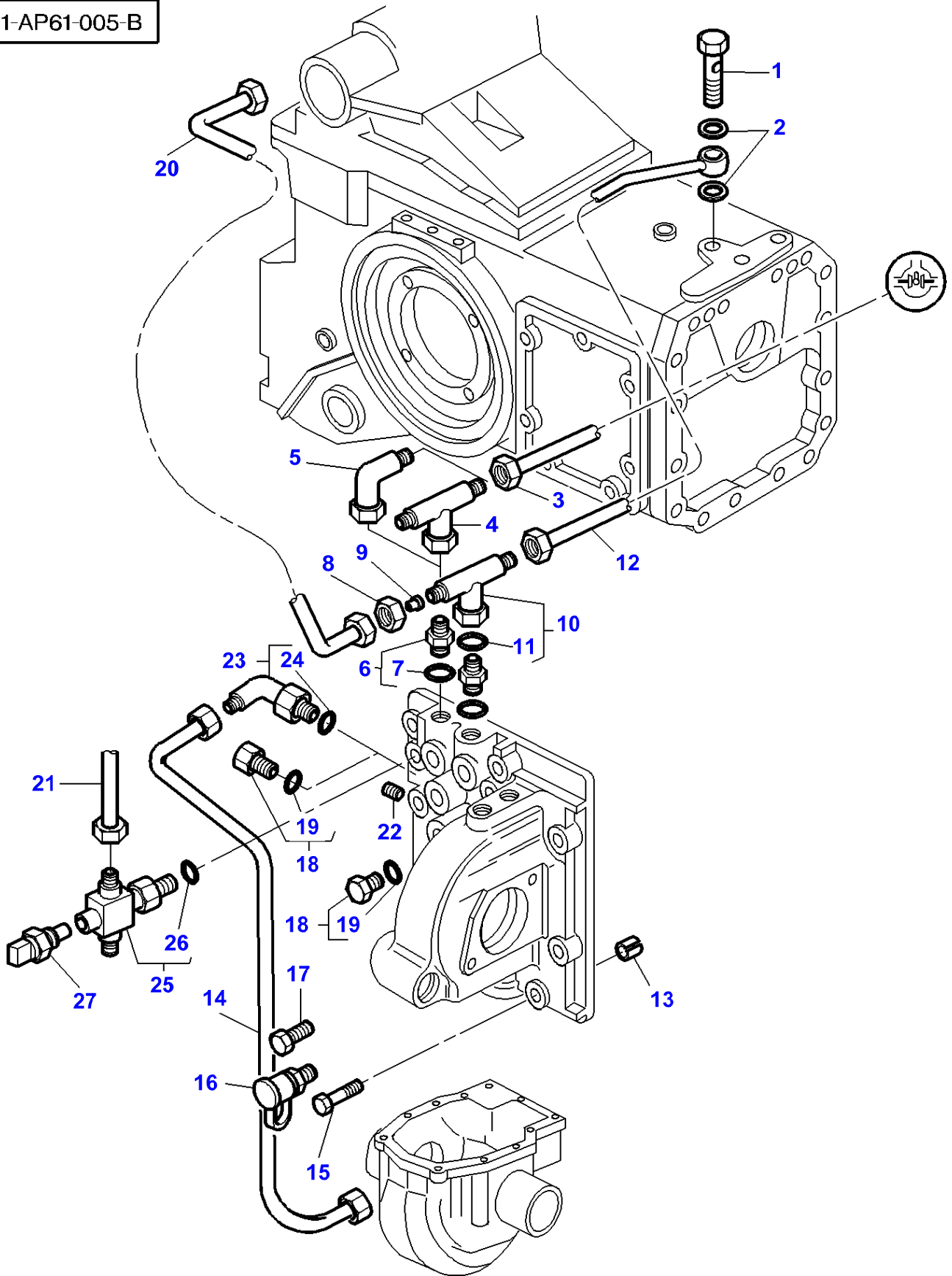


HYDRAULICS LOAD SENSING-HYDRAULIC COVER RH

Item	Part Number	Qty	Description	Comments
1	3712172M1	1	Cover	Up to Serial or Engine Number D104003
	3714354M1	1	Cover	From Serial or Engine Number D104004
2	3619739M91	1	Non Return Valve	4,5 BARS
3		1	O Ring	Not serviced, order 3900921M91
4	3713037M92	1	Tube	
5	1441722X1	1	Pin	[A] Diameter 3X16 391566X1
6	3713629M91	1	Tube	From Serial or Engine Number C166002
7	3019862X1	1	Nut Metric	From Serial or Engine Number C166002 M12
8	390735X1	1	Nut	From Serial or Engine Number C166002
9	358745X91	1	Adaptor	[A]
	364603X1	1	Elbow	[A] 90°
10	1882958M1	1	O Ring	(9)
11	22833X	1	Cap	[A] 7/8
12	3712391M91	1	Tube	
13	3019414X91	1	Union	
14	3019396X1	1	O Ring	(13)
15	3712395M91	1	Tube	
16	3019416X91	1	Elbow	Up to Serial or Engine Number C159016
	3019385X91	1	Union	From Serial or Engine Number C159017
17	3019397X1	1	O Ring	(16)
18	3019418X91	1	Union	
19	3019398X1	1	O Ring	(18)
20	3618661M1	1	Filter	
21	3618662M1	1	Filter Insert	(20)
22	842332M1	1	Gasket	(20)
23	831196M1	2	O Ring	(20)
24	3618663M2	1	Indicator	
25	3000258X1	2	Screw Metric	M10X40
26	1852568M1	1	O Ring	(24) 16,4X2,2
27	363510X1	1	O Ring	(24) 12,4X1,8
28	3712668M1	1	Switch,Indirect	
29	3713120M2	1	Harness	

[A]
FOR CHASSIS U.S.A

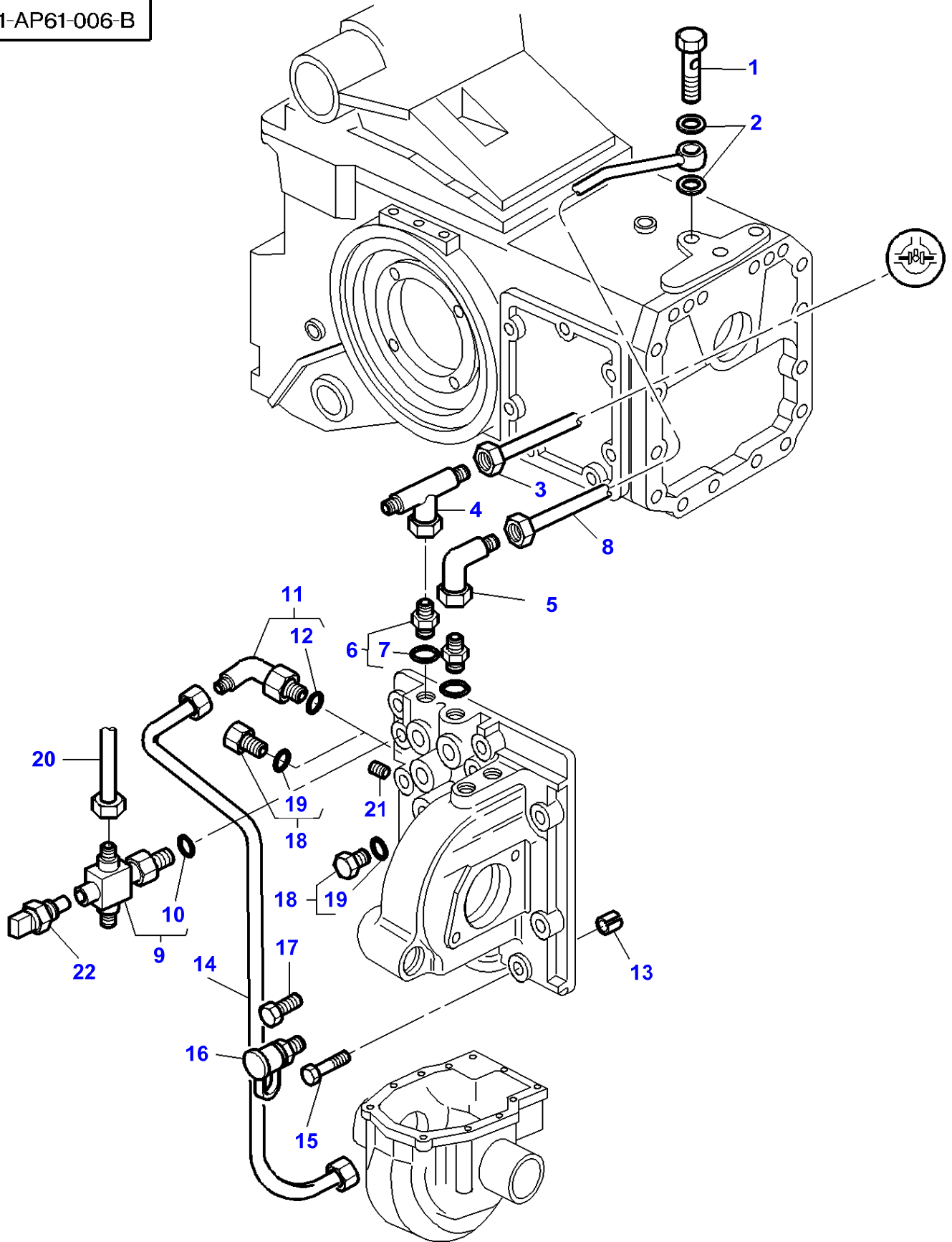
1-AP61-005-B



HYDRAULICS LOAD SENSING-HYDRAULIC COVER RH - WITH PTO BRAKES

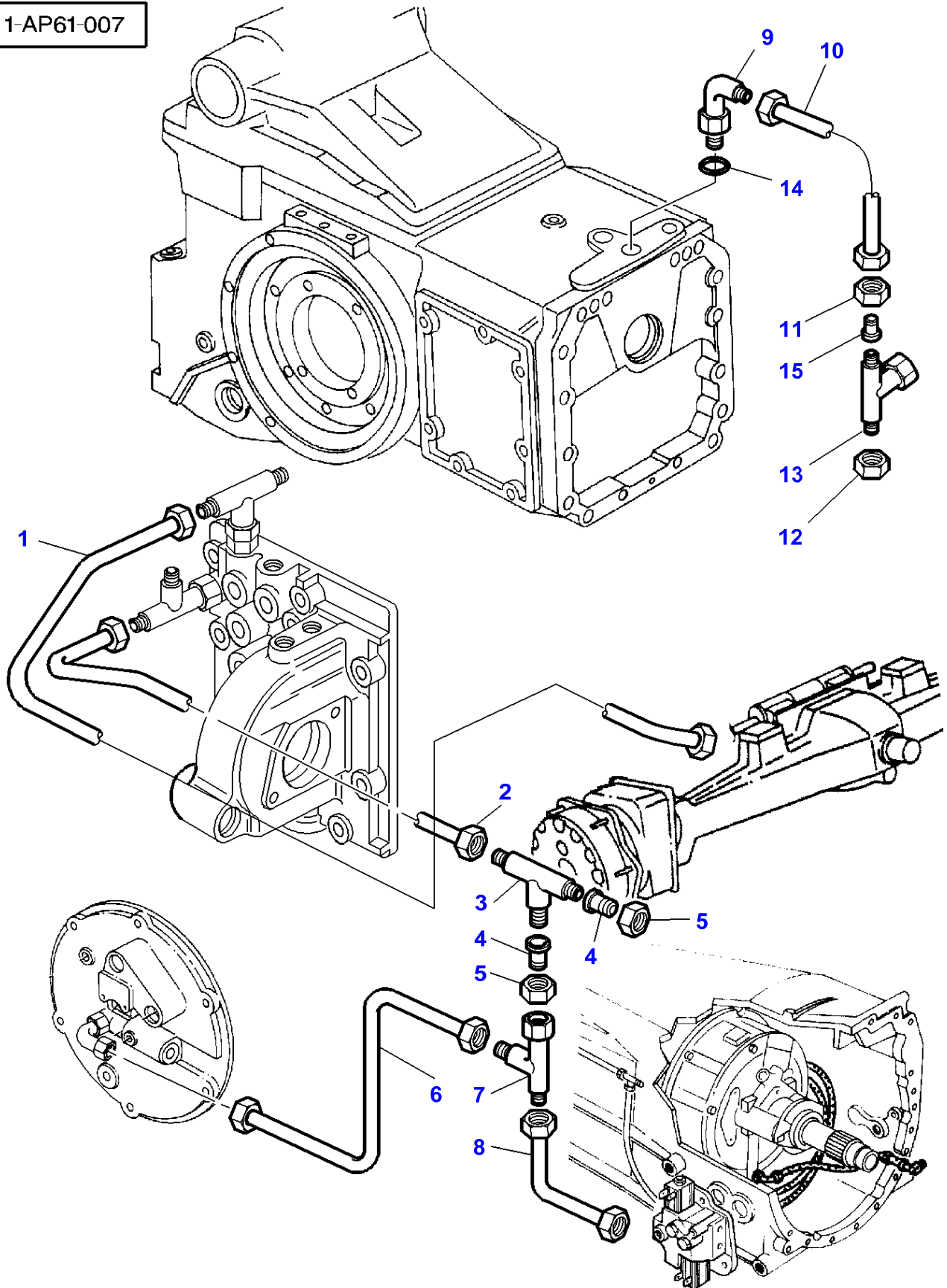
Item	Part Number	Qty	Description	Comments
				WITH PTO BRAKES
1	3617467M2	1	Banjo Bolt	
2	3010142X1	2	Washer	
3	3712359M91	1	Tube	
4	372543X1	2	Union	Four Wheel Drive
5	365233X1	1	Elbow	Two Wheel Drive
6	3019381X91	2	Union	
7	3019396X1	1	O Ring	(6)
8	356580X1	1	Plug	
9	356627X1	1	Adaptor	
10	3019609X91	1	Union	
11	3019396X1	1	O Ring	(10)
12	3713275M91	1	Tube	
13	3000705X1	2	Pin	16X18
14	3712373M92	1	Tube	Four Wheel Drive
15	354649X1	7	Bolt Unc	1/2" Length 57MM
16	3384387M1	1	Pressure Intake	
17	354659X1	1	Bolt Unc	1/2" Length 89MM
18	3019639X91	2	Plug	M14
19	3019395X1	1	O Ring	(18)
20	3713268M91	1	Tube	
21	3712363M91	1	Tube	
22	356039X1	2	Plug	1/8-27
23	3019412X91	1	Elbow	Four Wheel Drive
24	3019395X1	1	O Ring	(23) Four Wheel Drive
25	3019609X91	1	Union	Up to Serial or Engine Number E172016
	3790125M1	1	Union	From Serial or Engine Number E172017
26	3019396X1	1	O Ring	(25)
27	3790121M1	1	Thermocontact	From Serial or Engine Number E172017

1-AP61-006-B



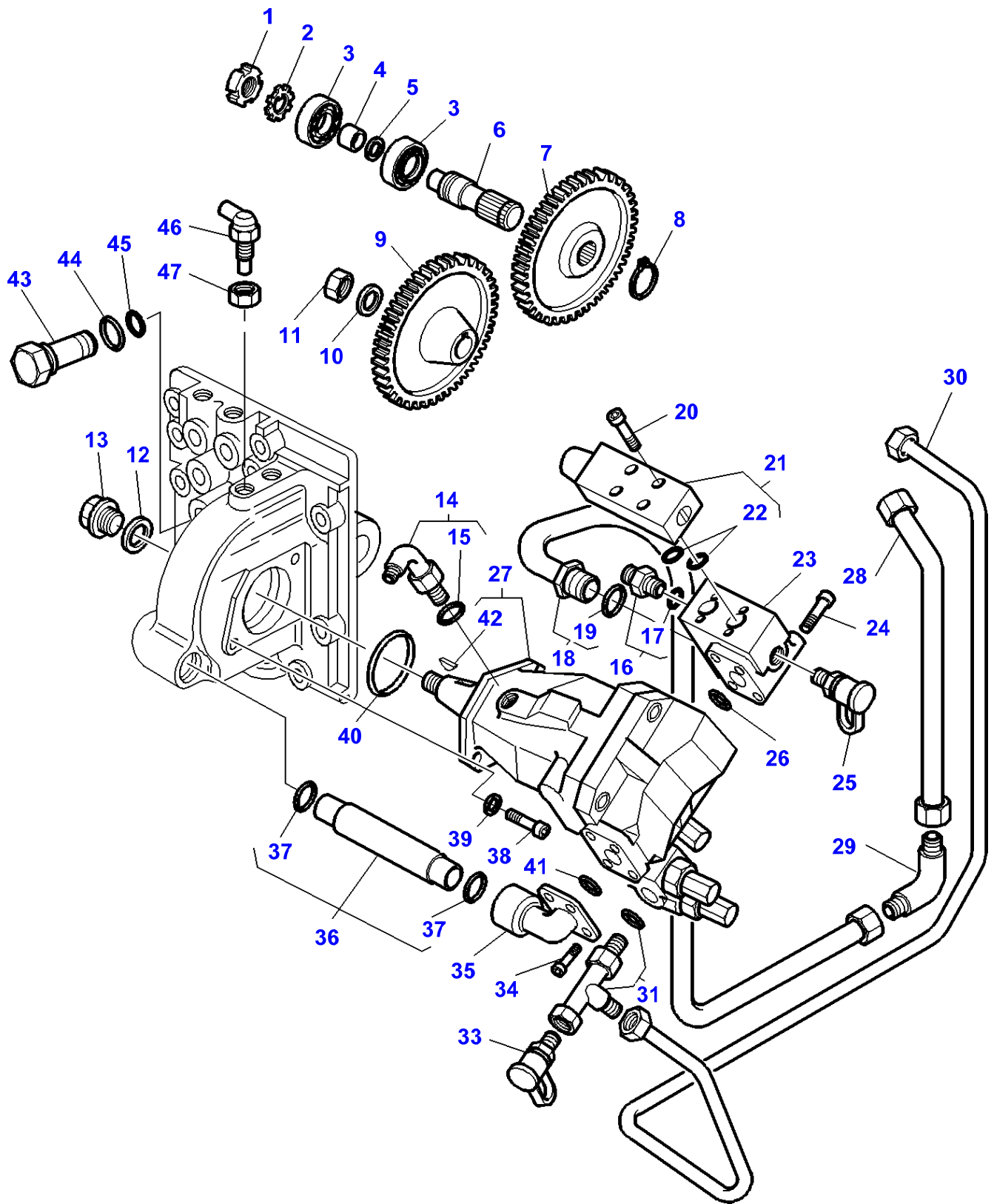
Item	Part Number	Qty	Description	Comments
				WITHOUT PTO BRAKES
1	3617467M2	1	Banjo Bolt	
2	3010142X1	1	Washer	
3	3712359M91	1	Tube	
4	372543X1	1	Union	Four Wheel Drive
5	365233X1	1	Elbow	Two Wheel Drive
6	3019381X91	2	Union	
7	3019396X1	1	O Ring	(6)
8	3713275M91	1	Tube	
9	3019609X91	1	Union	Up to Serial or Engine Number E172016
	3790125M1	1	Union	From Serial or Engine Number E172017
10	3019396X1	1	O Ring	(9)
11	3019412X91	1	Elbow	Four Wheel Drive
12	3019395X1	1	O Ring	(11)
				Four Wheel Drive
13	3000705X1	2	Pin	16X18
14	3712373M92	1	Tube	Four Wheel Drive
15	354649X1	7	Bolt Unc	1/2"
				Length 57MM
16	3384387M1	1	Pressure Intake	
17	354659X1	1	Bolt Unc	1/2"
				Length 89MM
18	3019639X91	2	Plug	M14
19	3019395X1	1	O Ring	(18)
20	3712363M91	1	Tube	
21	356039X1	2	Plug	1/8-27
22	3790121M1	1	Thermocontact	From Serial or Engine Number E172017

1-AP61-007



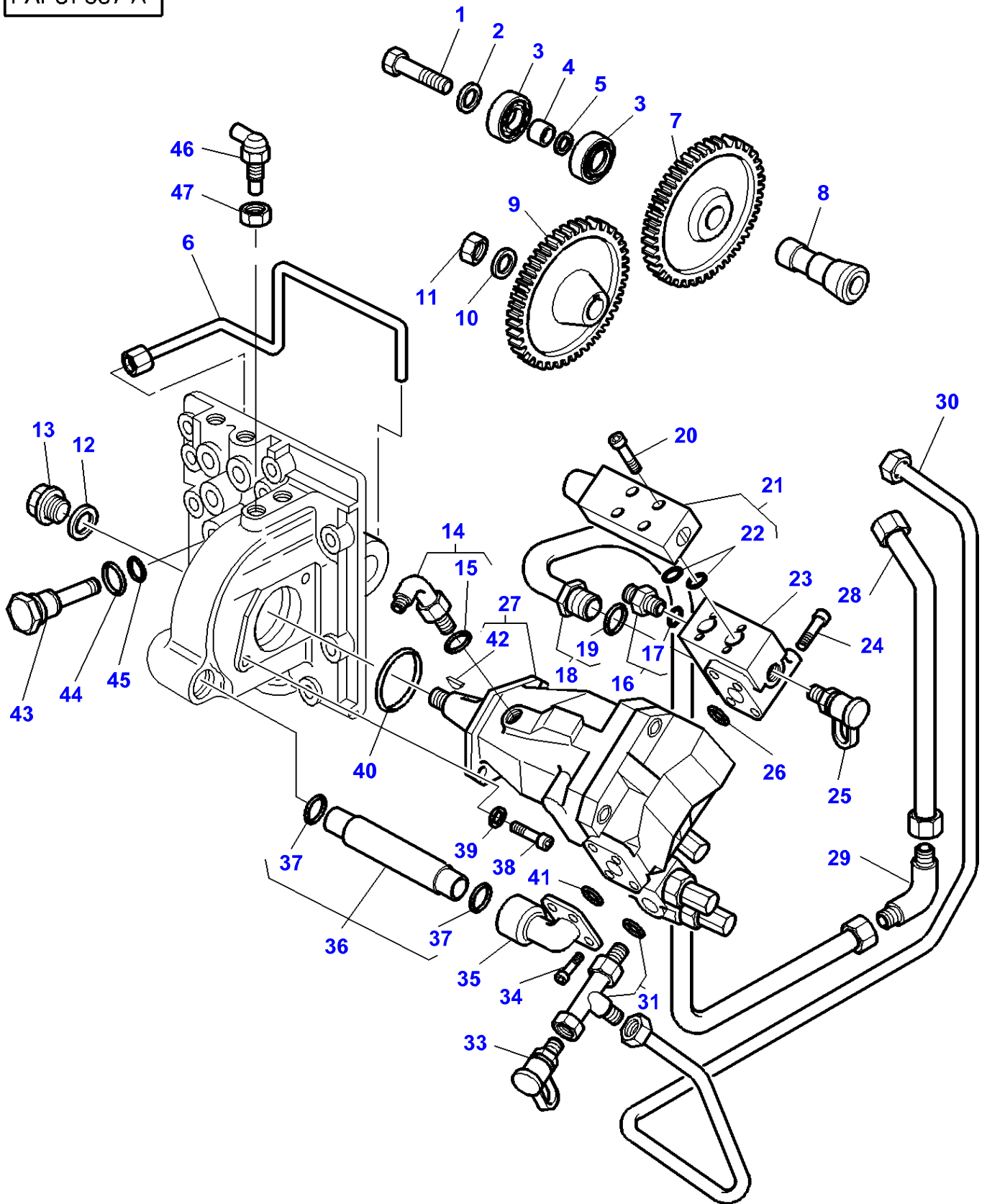
Item	Part Number	Qty	Description	Comments
				PIPINGS
1	3712361M91	1	Tube	Up to Serial or Engine Number Four Wheel Drive
2	3712365M91	1	Tube	
3	356560X1	1	Teepiece	
4	356627X1	2	Adaptor	
5	195960M1	2	Nut	
6	3712367M91	1	Tube	
	3712367M91	1	Tube	[A] Up to Serial or Engine Number B12214
6	3713663M91	1	Tube	[A] From Serial or Engine Number B12215
7	377218X1	1	Teepiece	
8	3712393M91	1	Tube	
9	3619500M1	1	Union	[A] 90'
10	3713206M91	1	Tube	[A]
11	195960M1	1	Nut	[A]
12	365333X1	1	Plug	[A]
13	372543X1	1	Union	[A] 3/4-16
14	3019394X1	1	O Ring	[A]
15	338773X1		Olive	[A]
				[A] FOR CHASSIS U.S.A

1-AP61-003-A



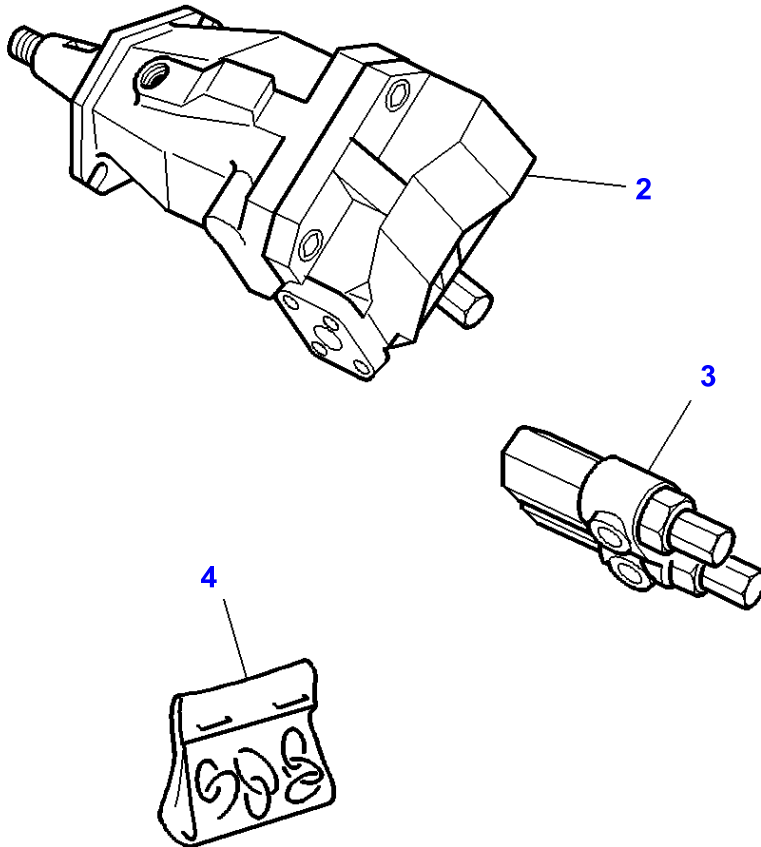
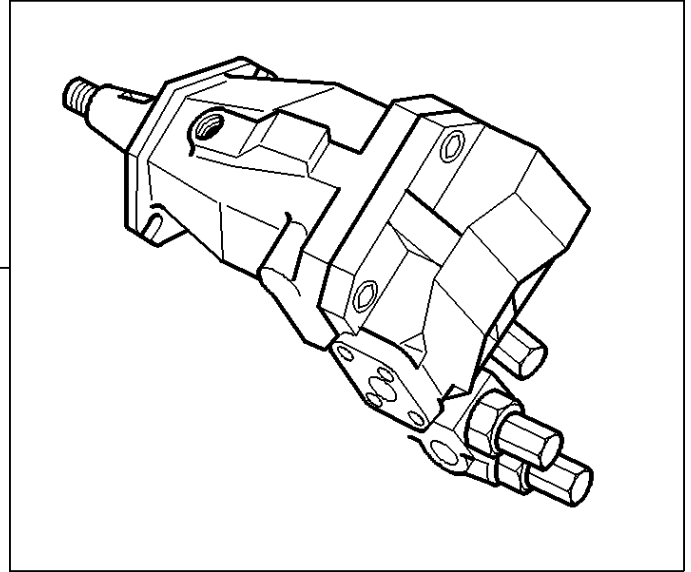
Item	Part Number	Qty	Description	Comments
				PUMP AND DRIVE UP TO D104003
1	3000845X1	1	Top Locknut	M25
2	3000846X1	1	Lock Washer	
3	3010151X91	2	Bearing Taper	
4	3619758M1	1	Spacer	
5	3619795M1	X	Chock	Thickness 0,05MM
	3619796M1	X	Chock	Thickness 0,10MM
	3619797M1	X	Chock	Thickness 0,50MM
6	3619755M1	1	Shaft	
7	3619756M1	1	Pinion	Number of teeth/spines 70
8	392758X1	1	Ring	1440477X1
9	3713344M1	1	Pinion	
10	353775X1	1	Washer	
11	353436X1	1	Nut Unf	3/4-16
12	3387081M1	1	Seal	
13	768300M1	1	Plug	
14	835007M91	1	Elbow	
15	1882958M1	1	O Ring	(14)
16	3019700X91	1	Union	
17	3019394X1	1	O Ring	(16)
18	3900929M92	1	Parts Pack	
19	364178X1	1	O Ring	(18)
20	3001757X1	4	Bolt	M6X40
21	3900919M91	1	Parts Pack	
22	851134M1	2	O Ring	(21)
23	3712181M1	1	Manifold	
24	3010648X1	4	Screw	M10X65
25	3384387M1	1	Pressure Intake	
26	365374X1	1	Seal	
27		1	Pump	See Page - Reference Number 302/
28	3712807M91	1	Tube	
29	356380X1	1	Elbow	
30	3712375M91	1	Tube	
31	3712689M1	1	Union	
33	3712707M1	1	Intake	
34	1440356X1	4	Screw Metric	M12X30
35	3712216M1	1	Manifold	
36	3900920M91	1	Parts Pack	
37	3900921M91	1	Kit, Joint	(36)
38	1440356X1	2	Screw Metric	M12X30
39	385363X1	2	Washer	Diameter 12MM
40	363921X1	1	O Ring	
41	1503904M1	1	Gasket	
42	10721X	1	Key	(27)
43	3381874M1	1	Plug	
44	1852568M1	1	O Ring	
45	363510X1	1	O Ring	
46	3583285M1	1	Inductive Taker	
47	339592X1	1	Nut Metric	

1-AP61-007-A



Item	Part Number	Qty	Description	Comments
				PUMP AND DRIVE FROM D104004
1	3010526X1	1	Screw	M10X50
2	3714282M1	1	Washer	
3	3010151X91	2	Bearing Taper	
4	3714244M1	1	Spacer	
5	3619795M1	X	Chock	Thickness 0,05MM
	3619796M1	X	Chock	Thickness 0,10MM
	3619797M1	X	Chock	Thickness 0,50MM
6	3714370M91	1	Tube	
7	3714243M1	1	Pinion	
8	3714242M1	1	Shaft	
9	3714683M1	1	Pinion	
10	353775X1	1	Washer	
11	353436X1	1	Nut Unf	3/4-16
12	369057X1	1	O Ring	
13	768300M1	1	Plug	
14	835007M91	1	Elbow	
15	1882958M1	1	O Ring	(14)
16	3019700X91	1	Union	
17	3019394X1	1	O Ring	(16)
18	3900929M92	1	Parts Pack	
19	364178X1	1	O Ring	(18)
20	3001757X1	4	Bolt	M6X40
21	3900919M91	1	Parts Pack	
22	851134M1	2	O Ring	(21)
23	3712181M1	1	Manifold	
24	3010648X1	4	Screw	M10X65
25	3384387M1	1	Pressure Intake	
26	365374X1	1	Seal	
27	3712289M2	1	Pump	See Page - Reference Number 302/
28	3712807M91	1	Tube	
29	356380X1	1	Elbow	
30	3712375M91	1	Tube	
31	3712689M1	1	Union	
33	3712707M1	1	Intake	
34	1440356X1	4	Screw Metric	M12X30
35	3712216M1	1	Manifold	
36	3900920M91	1	Parts Pack	
37	3900921M91	1	Kit, Joint	(36)
38	1440356X1	2	Screw Metric	M12X30
39	385363X1	2	Washer	Diameter 12MM
40	363921X1	1	O Ring	
41	1503904M1	1	Gasket	
42	10721X	1	Key	(27)
43	3714367M1	1	Plug	
44	1852568M1	1	O Ring	
45	363510X1	1	O Ring	
46	3583285M1	1	Inductive Taker	
47	339592X1	1	Nut Metric	

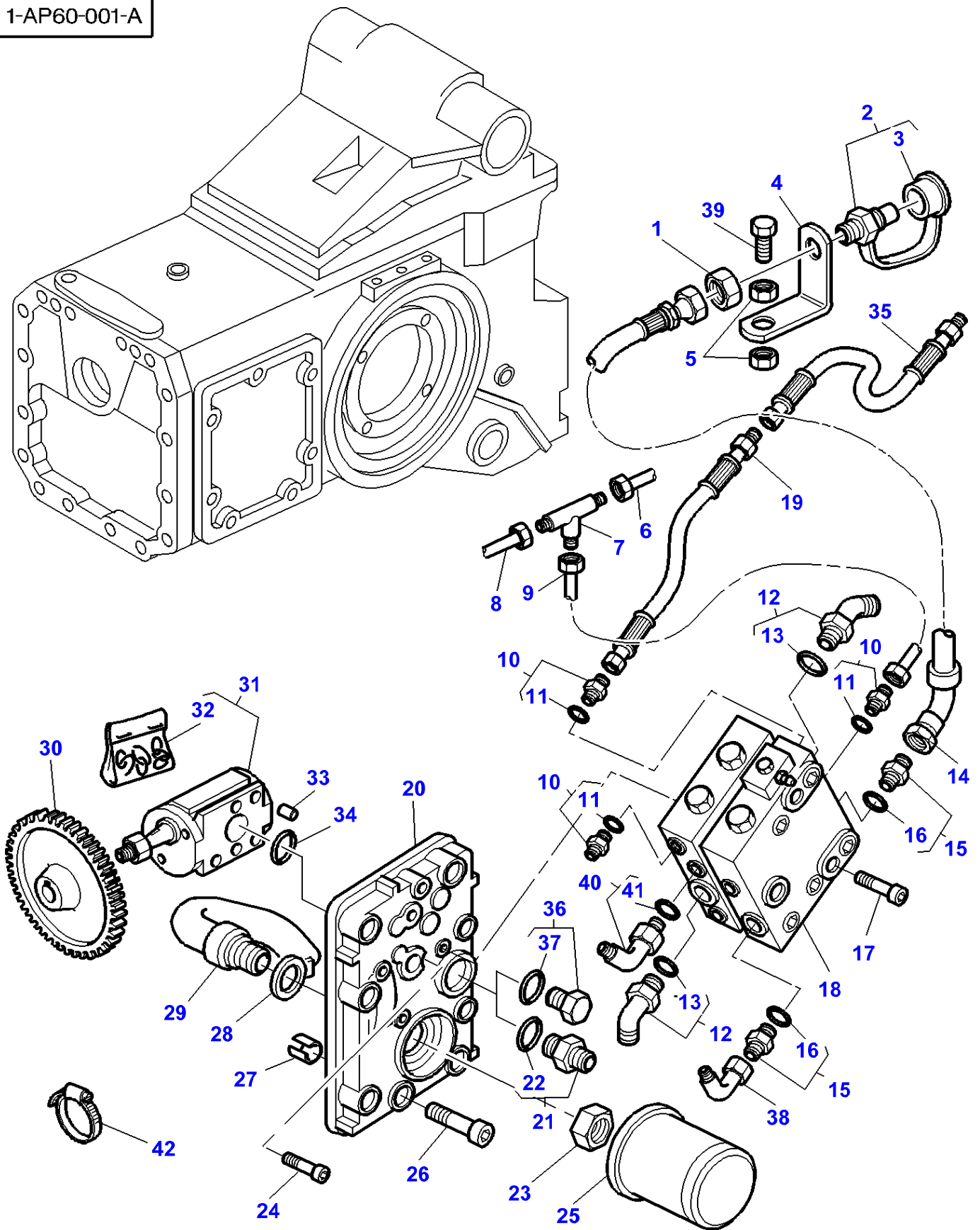
1-AP61-006



MASSEY FERGUSON**MF 3690 TRACTOR - 1637223****1637223****HYDRAULICS LOAD SENSING-HYDRAULIC COVER RH****302**

Item	Part Number	Qty	Description	Comments
1	3712289M2	1	Pump	
2		1	Pump	(1) Not serviced, order REF.1
3	3902069M91	1	Adjuster	(1)
4	3902068M91	1	Kit, Joint	(2)

1-AP60-001-A

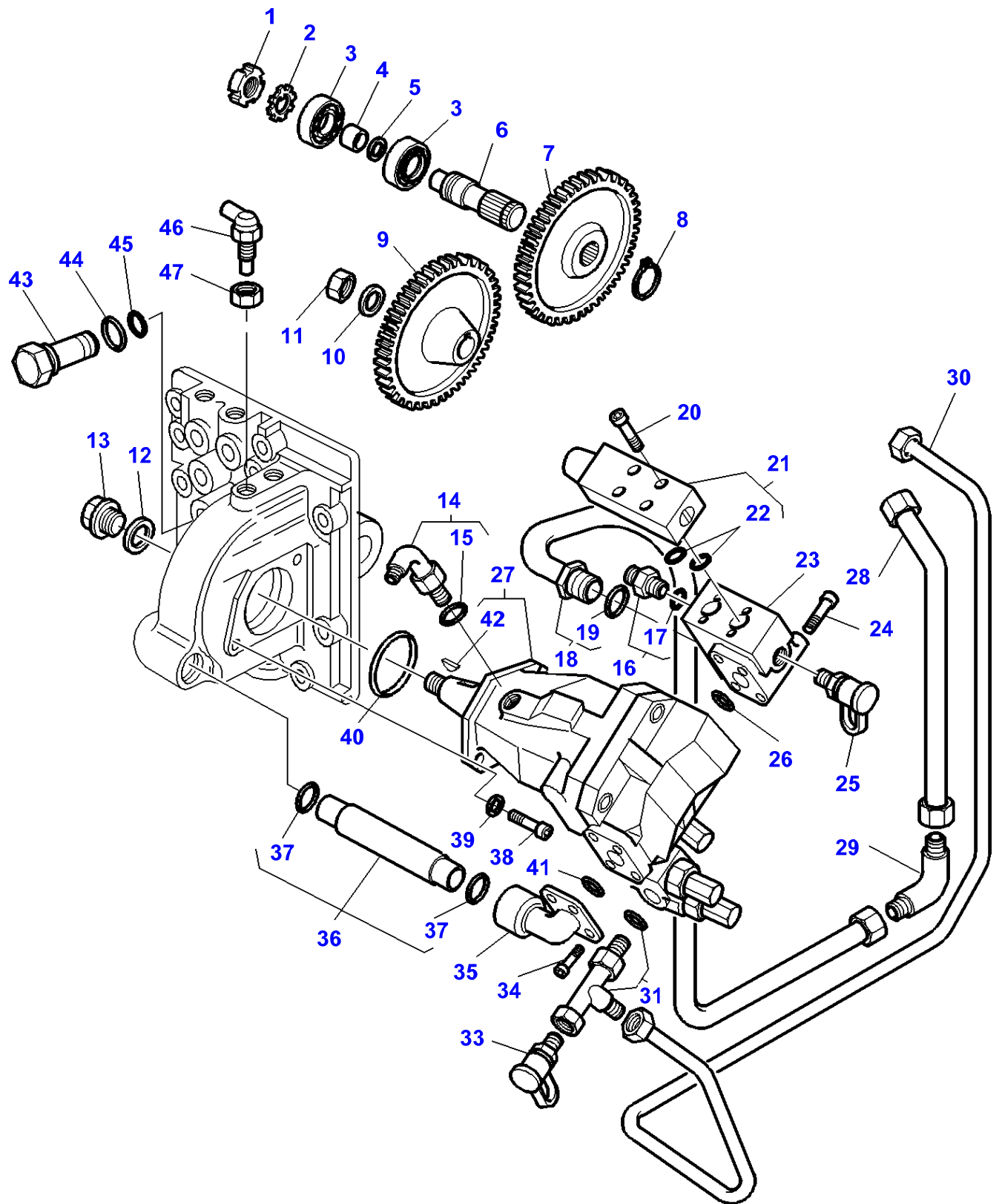


HYDRAULICS LOAD SENSING-HYDRAULIC COVER LH - WITH TRAILER BRAKING

Item	Part Number	Qty	Description	Comments
				WITH TRAILER BRAKING
1	1442336X1	1	Nut	M18X1,5
2	3581307M2	1	Pressure Valve	
3	3616259M1	1	Plug	(2)
4	3712424M1	1	Support	
5	375112X1	2	Nut Unc	5/8"
6	3712379M91	1	Tube	
7	3712236M1	1	Selector	
8	3712377M91	1	Tube	Up to Serial or Engine Number
9	3712381M91	1	Tube	
10	3019692X91	3	Union	5/16-M14X1,5
11	3019395X1	1	O Ring	(10)
12	3019598X91	2	Union	135' M33
13	3019399X1	1	O Ring	(12)
14	3712426M91	1	Tube	Up to Serial or Engine Number D103001
	3713973M1	1	Hydr Hose	From Serial or Engine Number D103002
15	3019658X91	3	Union	M22X1,5
16	3019398X1	1	O Ring	(15)
17	3015017X1	3	Screw	M8X135
18		1	Safety Valve	See Page - Reference Number 304/1
19	3387363M1	1	Tube	Up to Serial or Engine Number C349019 Length 840MM
19	3713830M1	1	Hydr Hose	From Serial or Engine Number C349020 Length 1350MM
20	3714572M11	1	Cover	3714572M91
21	3019391X91	1	Union	Up to Serial or Engine Number C192033 M33X2
22	3019399X1	1	O Ring	(21)
23	3010443X1	1	Nut	M45X2
24	3009293X1	2	Screw	M10X45
25	3619712M1	1	Strainer	
26	357789X1	8	Screw	1/2"X70
27	3000705X1	2	Pin	Diameter 16MM Length 18MM
28	3619746M1	1	Gasket	
29	3619733M92	1	Tube	
30	3619799M1	1	Pinion	Number of teeth/spines 70
31	3618001M2	1	Pump	
32	3900997M91	1	Kit, Joint	(31) Up to Serial or Engine Number C188046
32	3900998M91	1	Kit, Joint	(31) From Serial or Engine Number C188047
33	1442522X1	2	Dowel	Diameter 6MM Length 12MM
34	366617X1	1	O Ring	
35	3582098M1	1	Hydr Hose	From Serial or Engine Number C159012 Up to Serial or Engine Number C349019 Length 700MM
36	3019649X91	1	Plug	From Serial or Engine Number C192034
37	3019399X1	1	O Ring	(36)
38	365233X1	1	Elbow	From Serial or Engine Number C159012
39	368445X1	1	Screw	5/8X70
40	3019584X91	1	Union	From Serial or Engine Number 135' M14
41	3019395X1	1	O Ring	(40)
42	3619622M1	1	Tie	From Serial or Engine Number D103002

[A]
NUMBER TO BE ADVISED

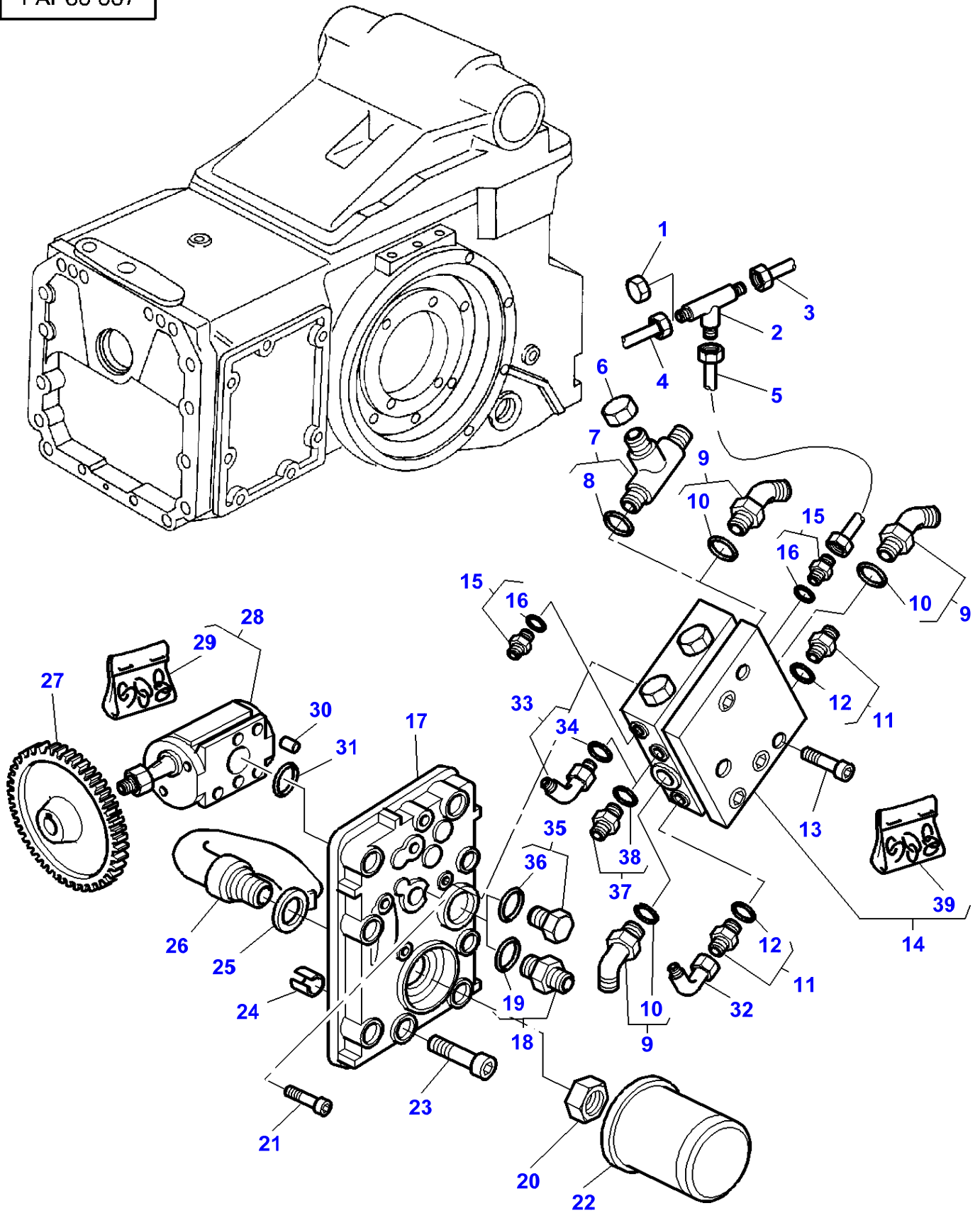
1-AP60-003-A



HYDRAULICS LOAD SENSING-HYDRAULIC COVER LH - WITH TRAILER BRAKING

Item	Part Number	Qty	Description	Comments
				WITH TRAILER BRAKING
1		1	Safety Valve	
2	3902091M1	1	Safety Valve	(1)
3	3902093M1	1	Safety Valve	(1)
				Up to Serial or Engine Number E025055
3	3790026M1	1	Safety Valve	(1)
				From Serial or Engine Number E025056
4	3902092M91	1	Kit, Joint	(2)
5	3902085M91	1	Kit, Joint	(1)
				Up to Serial or Engine Number C173030
5	3902094M91	1	Kit, Joint	(3)
				From Serial or Engine Number C173031
6	3902151M1	1	Adjusting Screw	(3)
				From Serial or Engine Number C173031

1-AP60-007

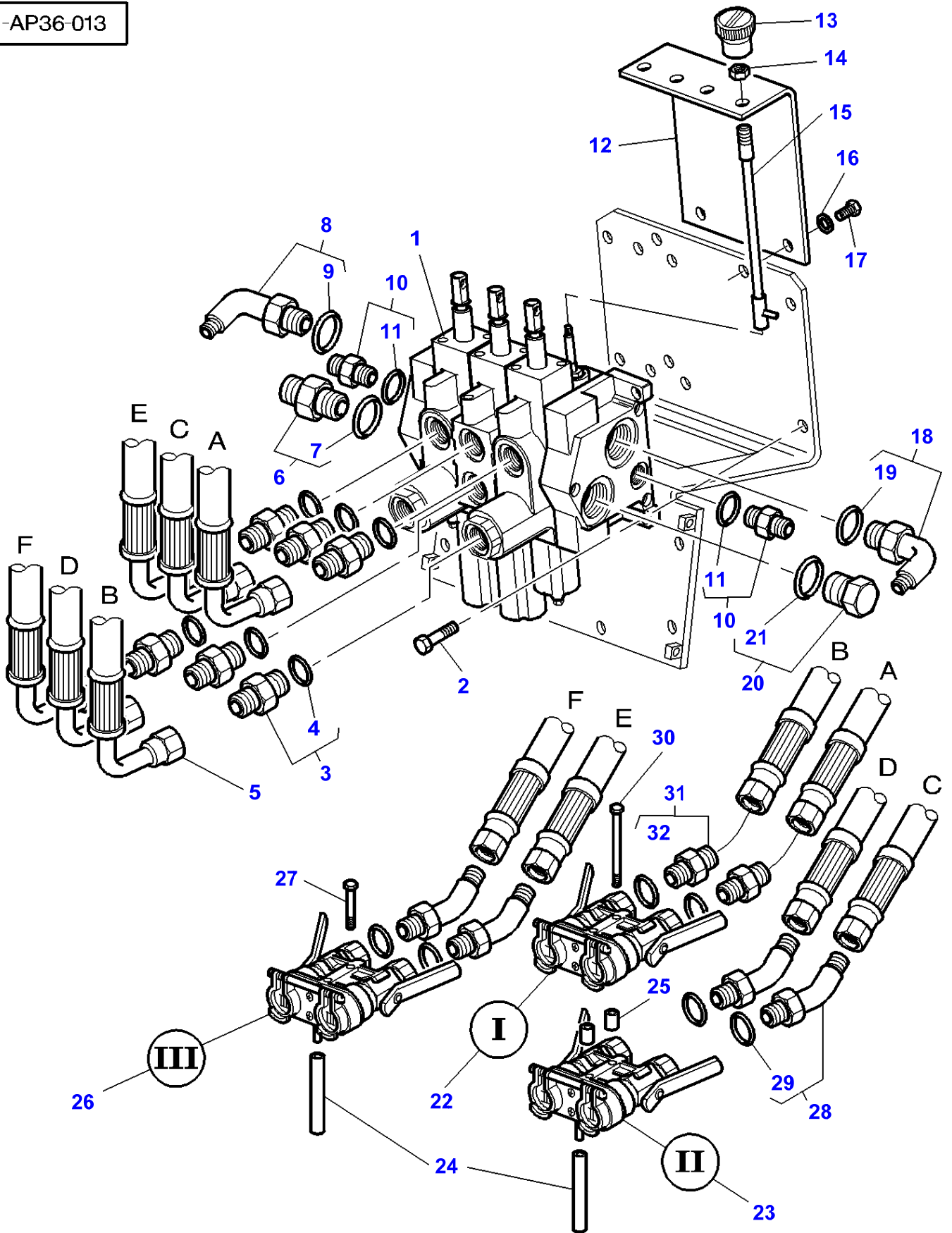


Item	Part Number	Qty	Description	Comments
WITHOUT TRAILER BRAKING				
1	3712554M1	1	Tap	[A]
2	3712236M1	1	Selector	
3	3712379M91	1	Tube	
	3713251M91	1	Tube	[A]
4	3712377M91	1	Tube	Up to Serial or Engine Number
	3713249M91	1	Tube	[A]
5	3712381M91	1	Tube	
	3713247M91	1	Tube	[A]
6	356582X1	1	Cap	[A]
7	3019633X91	1	Union	[A]
				M33X2
7	3019422X91	1	Union	[B]
				90° M33X2
8	3019399X1	1	O Ring	[A] (7)
9	3019598X91	2	Union	135° M33X2
10	3019399X1	1	O Ring	(9)
11	3019658X91	2	Union	M22X1,5
12	3019399X1	1	O Ring	(11)
13	3019908X1	3	Screw	Up to Serial or Engine Number C355002
				M8X105
13	1441946X1	3	Screw	From Serial or Engine Number C355003
				M8X75
14	3712220M2	1	Safety Valve	
15	3019692X91	2	Union	5/16-M14X1,5
16	3019395X1	1	O Ring	(15)
17	3714572M11	1	Cover	3714572M91
18	3019391X91	1	Union	Up to Serial or Engine Number C192033
				M33X2
19	3019399X1	1	O Ring	(18)
20	3010443X1	1	Nut	M45X2
21	3009293X1	2	Screw	M10X45
22	3619712M1	1	Strainer	
23	357789X1	8	Screw	1/2"X70
	353726X1	1	Screw Unc	5/8X38
24	3000705X1	2	Pin	Diameter 16MM
				Length 18MM
25	3619746M1	1	Gasket	
26	3619733M92	1	Tube	
27	3619799M1	1	Pinion	Number of teeth/spines 70
28	3618001M2	1	Pump	Up to Serial or Engine Number C188046
	3618001M2	1	Pump	From Serial or Engine Number C188047
	3618001M2	1	Pump	[B]
				Up to Serial or Engine Number P10709
28	3618001M2	1	Pump	[B]
				From Serial or Engine Number P10710
29	3900997M91	1	Kit, Joint	(28)
				Up to Serial or Engine Number C188046
29	3900998M91	1	Kit, Joint	(28)
				From Serial or Engine Number C188047
29	3900997M91	1	Kit, Joint	[B] (28)
				From Serial or Engine Number P10709
29	3900998M91	1	Kit, Joint	[B] (28)
				From Serial or Engine Number P10710
30	1442522X1	2	Dowel	Diameter 6MM
				Length 12MM
31	366617X1	2	O Ring	
32	365233X1	2	Elbow	From Serial or Engine Number C159012
	365233X1	1	Elbow	[B]
				Up to Serial or Engine Number P10687
33	3019584X91	1	Union	135°
	3019584X91	1	Union	[B]
				Up to Serial or Engine Number P10687
				135°
34	3019395X1	1	O Ring	(33)
35	3019649X91	1	Plug	Up to Serial or Engine Number C192033
36	3019399X1	1	O Ring	(35)
37	3019692X91	1	Union	[B]
				From Serial or Engine Number P10688

MASSEY FERGUSON**MF 3690 TRACTOR - 1637223****1637223****HYDRAULICS LOAD SENSING-HYDRAULIC COVER LH - WITHOUT TRAILER BRAKING****305**

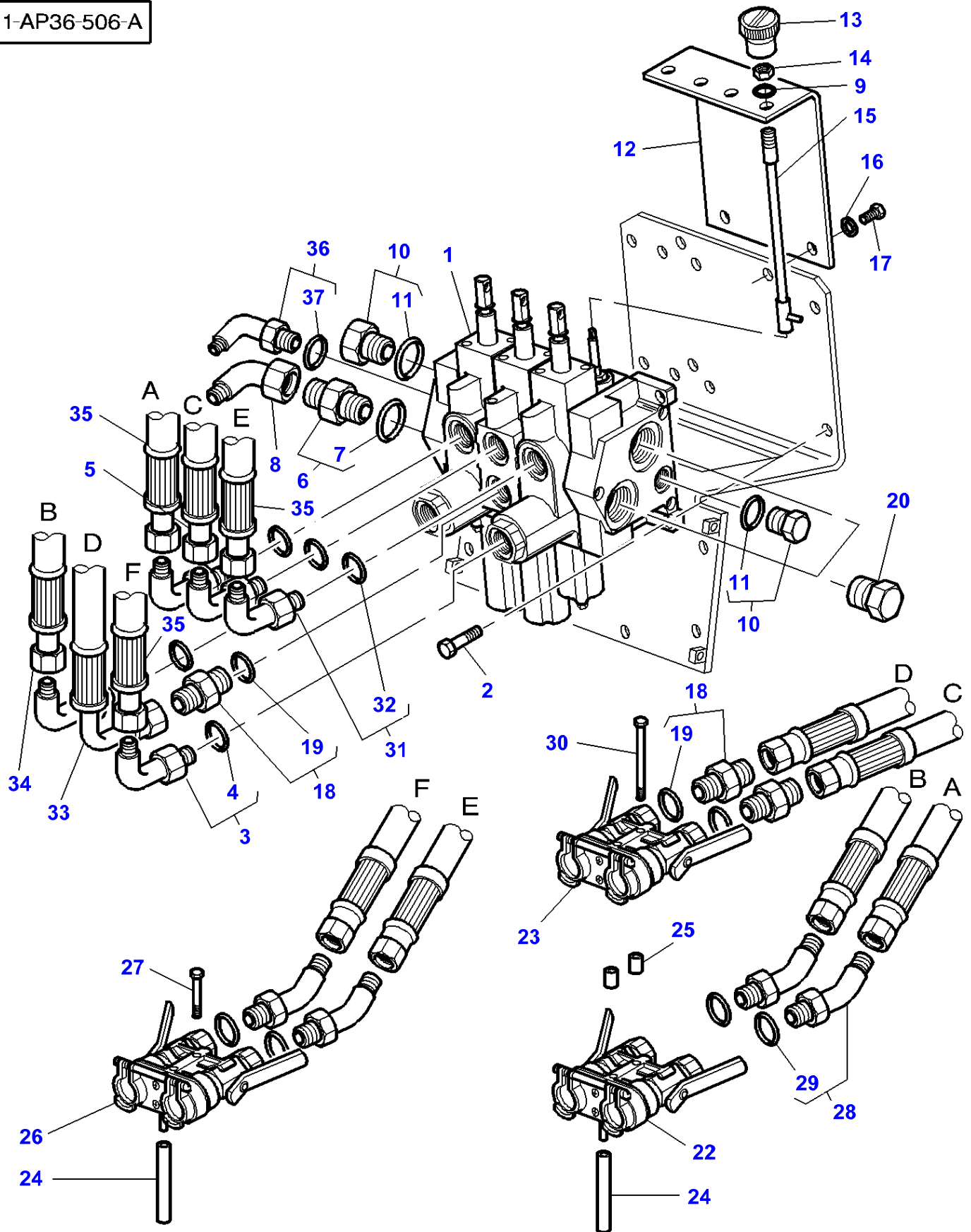
Item	Part Number	Qty	Description	Comments
				5/16 M14X1,5
38	3019395X1	1	O Ring	(37)
39	3902085M91	1	Kit, Joint	(14)
				[A]
				WITHOUT DISTRIBUTOR
				[B]
				FOR CHASSIS U.S.A

1-AP36-013



Item	Part Number	Qty	Description	Comments
3 DIST WITH LOAD SENSING EXCEPTED NATO UP TO D2790 01				
1	3713020M91	1	Distributor	See Page - Reference Number 313/
2	391991X1	4	Screw Metric	M10X30
3	835013M91	6	Union	
4	1882958M1	1	O Ring	(3)
5	3713507M1	6	Hydr Hose	
6	378086X91	1	Connector	
7	835026M1	1	O Ring	(6)
8	380015X91	1	Union	90'
9	835026M1	1	O Ring	(8)
10	380016X91	2	Union	
11	831452M2	1	O Ring	(10)
12	3713524M1	1	Support	
13	3713523M1	3	Button	
14	339402X1	3	Nut Metric	
15	3713525M1	3	Cable	
16	390734X1	2	Washer Metric	
17	339081X1	2	Screw Metric	
18	358766X91	1	Elbow	(10) 90'
19	835026M1	1	O Ring	(18)
20	358726X91	1	Plug	
21	835026M1	1	O Ring	(20)
22	3715310M3	1	Female Coupler	I Repairs and replaces 3712825M1 From Serial or Engine Number D279002
23	3715311M3	1	Female Coupler	II Repairs and replaces 3712826M1 From Serial or Engine Number D279002
24	3616713M1	2	Tube	
25	3712546M1	2	Spacer	
26	3715313M3	1	Female Coupler	III 3712827M1 From Serial or Engine Number D279002
27	339159X1	2	Bolt Metric	M8X65MM
28	835010M91	4	Elbow	45'
29	1882958M1	1	O Ring	(28)
30	391245X1	2	Bolt Metric	M8X130MM
31	835013M91	2	Union	From Serial or Engine Number C290034
32	1882958M1	1	O Ring	(31) From Serial or Engine Number C290034

1-AP36-506-A



Item	Part Number	Qty	Description	Comments
				3 DIST WITH LOAD SENSING EXCEPTED NATO FROM D27900 2
1	3713020M91	1	Distributor	See Page - Reference Number 313/
2	339451X1	4	Screw Metric	M10X30
3	835007M91	3	Elbow	
4	1882958M1	1	O Ring	(3)
5	3714951M1	1	Hydr Hose	Length 500MM
6	378086X91	1	Connector	
7	835026M1	1	O Ring	(6)
8	367277X1	1	Elbow	
9	1803494M1	3	Grommet	
10	380016X91	2	Union	
11	831452M2	1	O Ring	(10)
12	3714708M91	1	Support	
13	3715367M1	1	Button	[A]
	3715365M1	1	Button	[B]
	3715364M1	1	Button	[C]
14	339402X1	3	Nut Metric	
15	3713525M1	3	Cable	
16	390734X1	2	Washer Metric	
17	339081X1	2	Screw Metric	
18	835013M91	3	Union	
19	1882958M1	1	O Ring	(18)
20	358726X91	2	Plug	
22	3715310M3	1	Female Coupler	[A]
23	3715311M3	1	Female Coupler	[B]
24	3616713M1	3	Tube	
25	3712546M1	2	Spacer	
26	3715313M3	1	Female Coupler	[C]
27	339159X1	2	Bolt Metric	M8X65MM
28	835010M91	6	Elbow	45'
29	1882958M1	1	O Ring	(28)
30	391245X1	2	Bolt Metric	M8X130MM
31	380031X91	2	Union	
32	1882958M1	1	O Ring	(31)
33	3714955M1	1	Hydr Hose	Length 500MM
34	3714953M1	1	Hydr Hose	Length 600MM
35	3714952M1	3	Hydr Hose	Length 550MM
36	380033X91	1	Union	
37	831495M1	1	O Ring	(36)
38	3019391X91	1	Union	[D]
39	3019399X1	1	O Ring	(38)

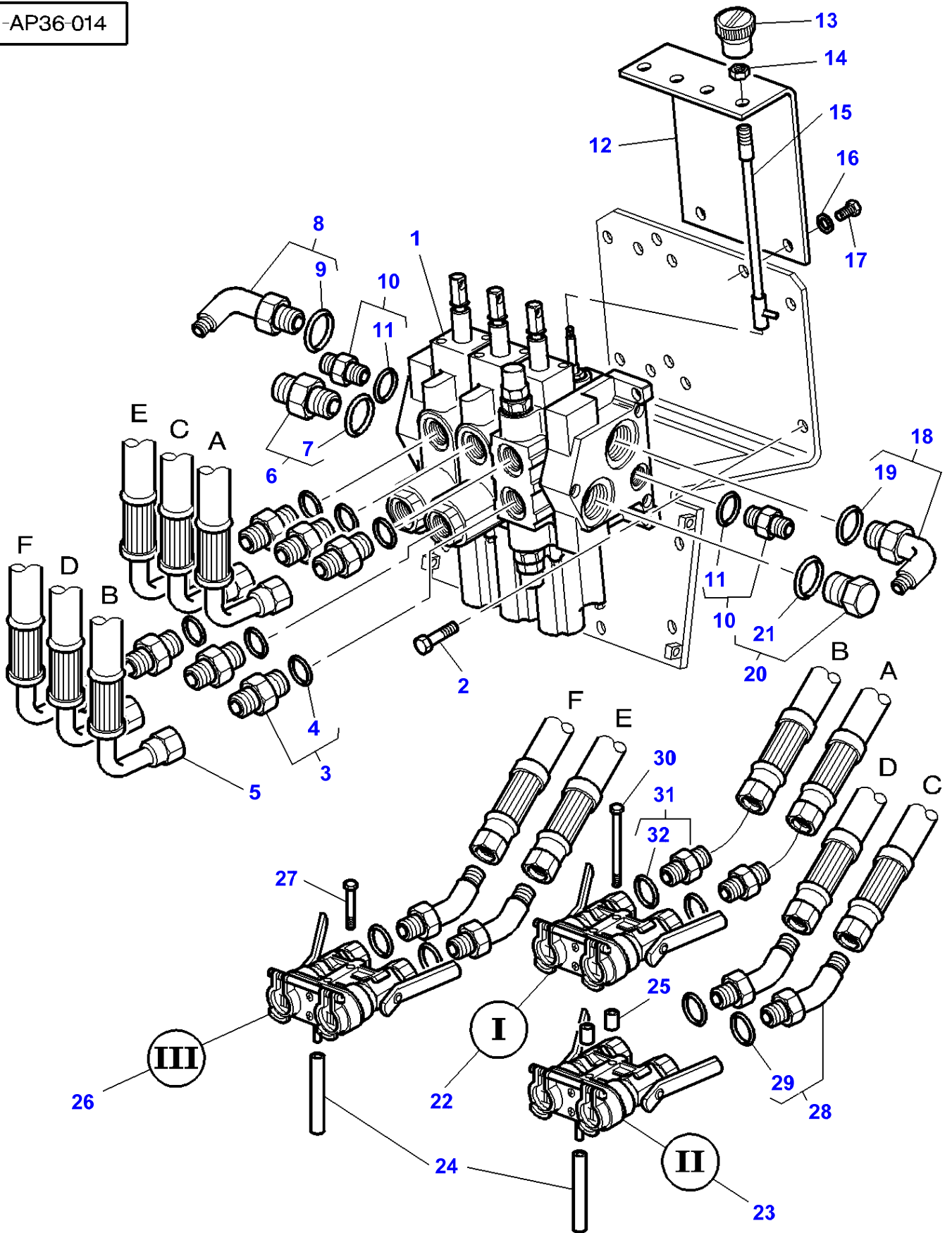
[A]
BLACK

[B]
RED

[C]
GREEN

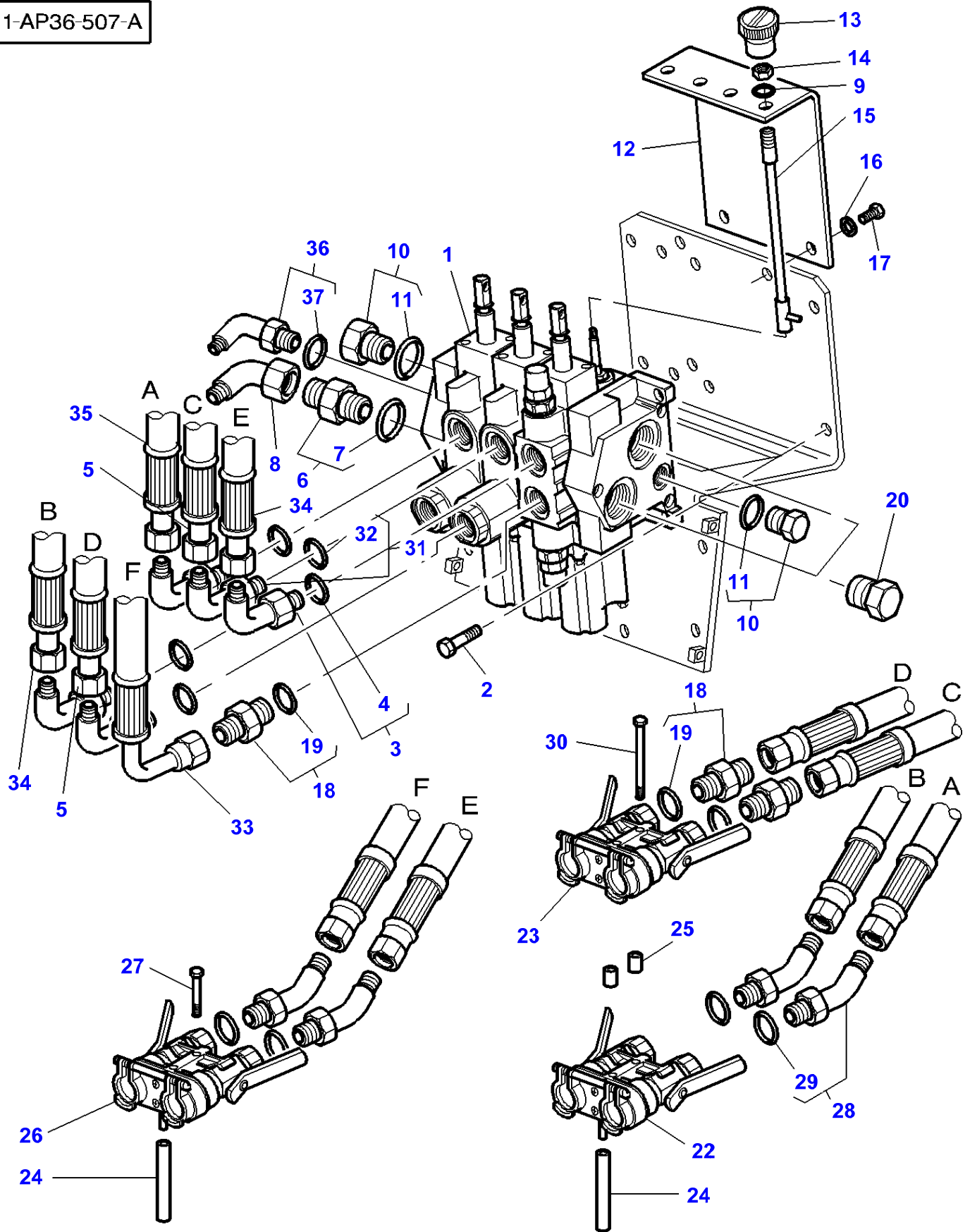
[D]
NOT ILLUSTRATED

1-AP36-014



Item	Part Number	Qty	Description	Comments
3 DISTRIBUTORS WITH LOAD SENSING FOR NATO UP TO D2 79001				
1	3713021M91	1	Distributor	See Page - Reference Number 314/
2	391991X1	4	Screw Metric	M10X30
3	835013M91	6	Union	
4	1882958M1	1	O Ring	(3)
5	3713507M1	6	Hydr Hose	
6	378086X91	1	Connector	
7	835026M1	1	O Ring	(6)
8	380015X91	1	Union	90'
9	835026M1	1	O Ring	(8)
10	380016X91	2	Union	
11	831452M2	1	O Ring	(10)
12	3713524M1	1	Support	
13	3713523M1	3	Button	
14	339402X1	3	Nut Metric	
15	3713525M1	3	Cable	
16	390734X1	2	Washer Metric	
17	339081X1	2	Screw Metric	
18	358766X91	1	Elbow	(10) 90'
19	835026M1	1	O Ring	(18)
20	358726X91	1	Plug	
21	835026M1	1	O Ring	(20)
22	3715310M3	1	Female Coupler	I Repairs and replaces 3712825M1 From Serial or Engine Number D279002
23	3715311M3	1	Female Coupler	II Repairs and replaces 3712826M1 From Serial or Engine Number D279002
24	3616713M1	2	Tube	
25	3712546M1	2	Spacer	
26	3715313M3	1	Female Coupler	III Repairs and replaces 3712827M1 From Serial or Engine Number D279002
27	339159X1	2	Bolt Metric	M8X65MM
28	835010M91	4	Elbow	45'
29	1882958M1	1	O Ring	(28)
30	391245X1	2	Bolt Metric	M8X130MM
31	835013M91	2	Union	From Serial or Engine Number C290034
32	1882958M1	1	O Ring	(31) From Serial or Engine Number C290034

1-AP36-507-A



Item	Part Number	Qty	Description	Comments
3 DISTRIBUTORS WITH LOAD SENSING FOR NATO FROM D27 9002				
1	3713021M91	1	Distributor	See Page - Reference Number 314/1
2	339451X1	4	Screw Metric	M10X30
3	835007M91	3	Elbow	
4	1882958M1	1	O Ring	(3)
5	3714951M1	2	Hydr Hose	Length 500MM
6	378086X91	1	Connector	
7	835026M1	1	O Ring	(6)
8	367277X1	1	Elbow	
9	1803494M1	3	Grommet	
10	380016X91	2	Union	
11	831452M2	1	O Ring	(10)
12	3714708M91	1	Support	
13	3715367M1	1	Button	[A]
	3715365M1	1	Button	[B]
	3715364M1	1	Button	[C]
14	339402X1	3	Nut Metric	
15	3713525M1	3	Cable	
16	390734X1	2	Washer Metric	
17	339081X1	2	Screw Metric	
18	835013M91	3	Union	
19	1882958M1	1	O Ring	(18)
20	358726X91	2	Plug	
22	3715310M3	1	Female Coupler	[A]
23	3715311M3	1	Female Coupler	[B]
24	3616713M1	3	Tube	
25	3712546M1	2	Spacer	
26	3715313M3	1	Female Coupler	[C]
27	339159X1	2	Bolt Metric	M8X65MM
28	835010M91	4	Elbow	45'
29	1882958M1	1	O Ring	(28)
30	391245X1	2	Bolt Metric	M8X130MM
31	380031X91	2	Union	
32	1882958M1	1	O Ring	(31)
33	3714956M1	1	Hydr Hose	Length 600MM
34	3714953M1	2	Hydr Hose	Length 600MM
35	3714952M1	1	Hydr Hose	Length 550MM
36	380033X91	1	Union	
37	831495M1	1	O Ring	(36)
38	3019391X91	1	Union	[D]
39	3019399X1	1	O Ring	(38)

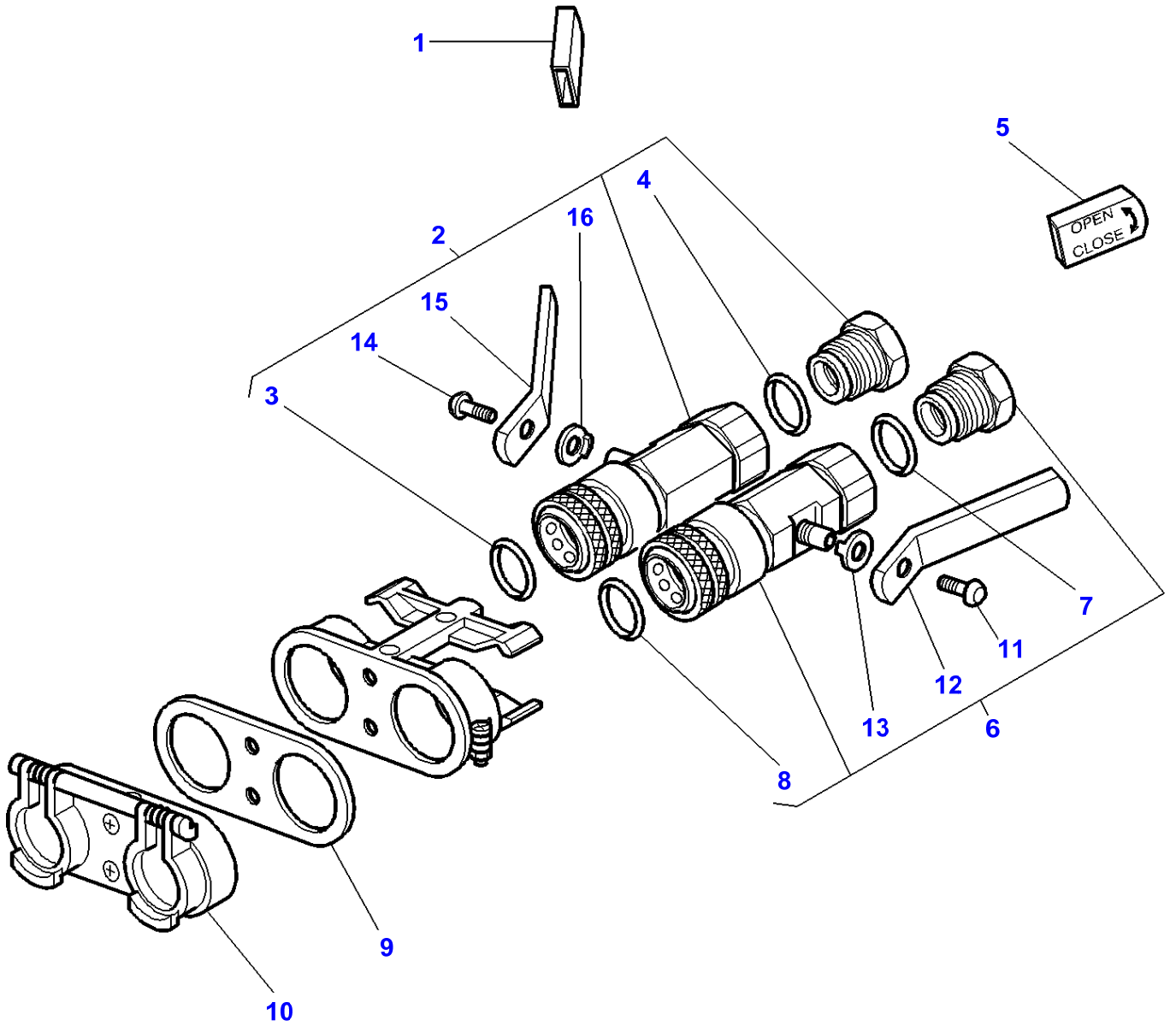
[A]
BLACK

[B]
RED

[C]
GREEN

[D]
NOT ILLUSTRATED

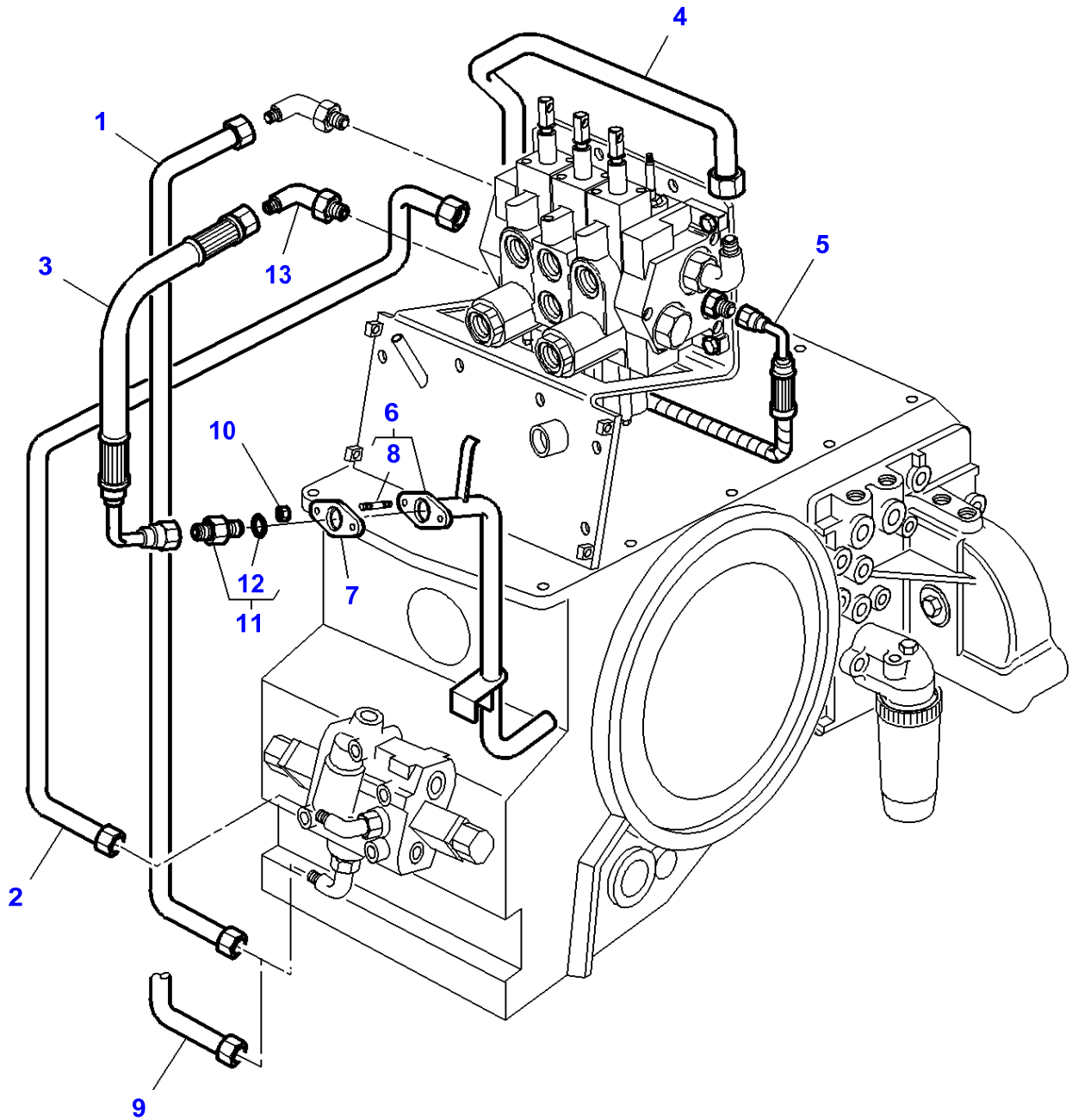
1-AP40-500-B



HYDRAULIC COUPLING - WITH LOAD SENSING EXCEPTED NATO

Item	Part Number	Qty	Description	Comments
				WITH LOAD SENSING EXCEPTED NATO
1	3902109M1	1	Muff	[A] Left Hand
1	3902494M1	1	Muff	[B] Left Hand
1	3902496M1	1	Muff	[C] Left Hand
2	3902108M91	1	Female Coupler	Left Hand
3	3902143M1	1	Gasket	(2)
4	3902193M1	1	Gasket	(2)
5	3902110M1	1	Muff	[A] Right Hand
5	3902495M1	1	Muff	[B]
	3902497M1	1	Muff	[C]
6	3902107M91	1	Female Coupler	Right Hand
7	3902193M1	1	Gasket	(6)
8	3902143M1	1	Gasket	(6)
9	3902111M1	1	Gasket	
10	3902491M91	1	Cover	[A]
	3902489M91	1	Cover	[B]
	3902490M91	1	Cover	[C]
11		1	Screw	(6) Not serviced, order REF N
12		1	Lever	(6) Not serviced, order REF N
13		1	Washer	(6) Not serviced, order REF N
14		1	Screw	(2) Not serviced, order REF N
15		1	Lever	(2) Not serviced, order REF N
16		1	Washer	(2) Not serviced, order REF N
				[A] BLACK
				[B] RED
				[C] GREEN

1-AP18-510-A



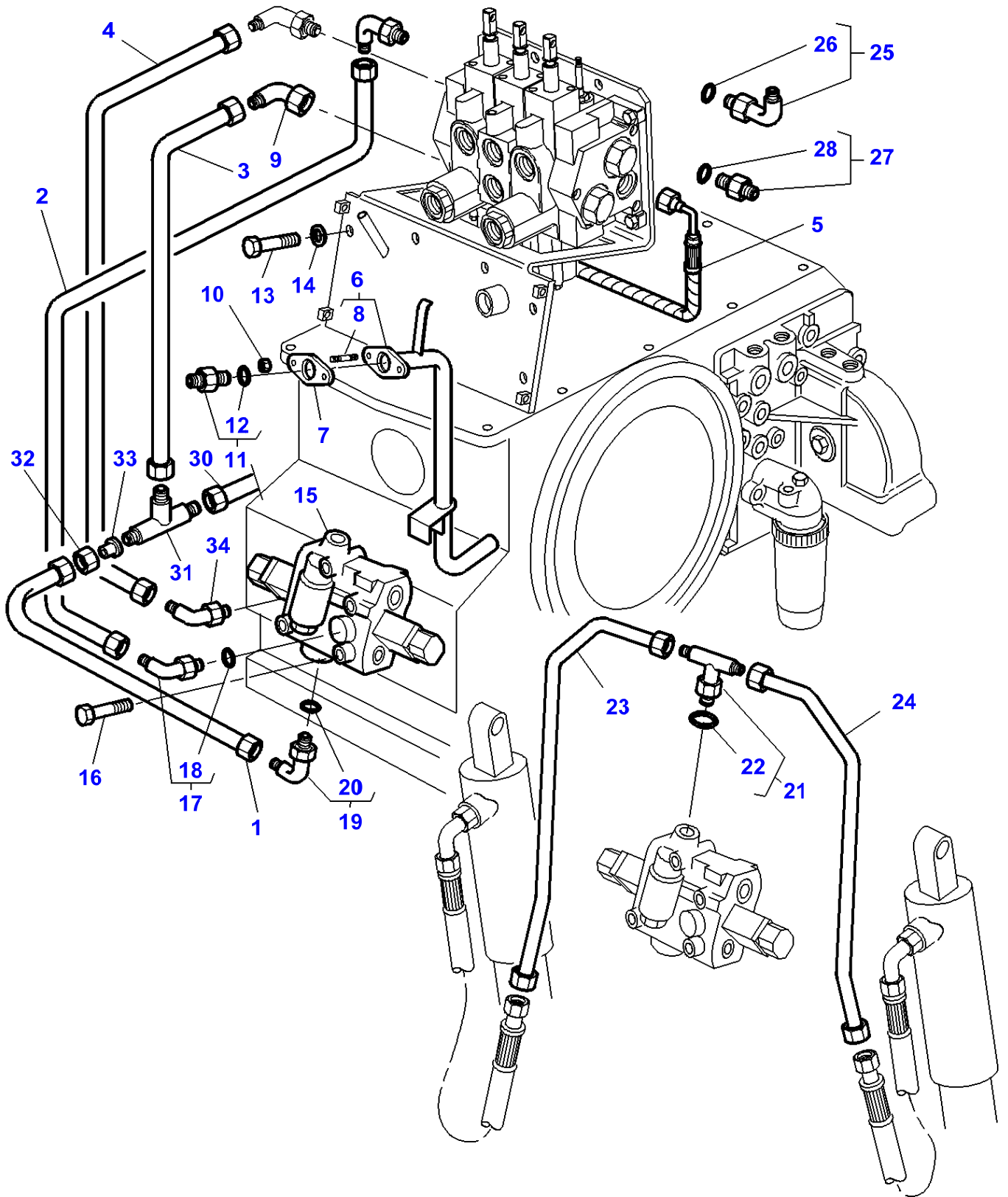
ELECTRONIC LIFT-HYDRAULIC VALVE - 3RD LOAD SENSING DISTRIBUTOR UP TO D279001

Item	Part Number	Qty	Description	Comments
				3RD LOAD SENSING DISTRIBUTOR UP TO D279001
1	3713418M92	1	Tube	
2	3713424M92	1	Tube	
3	3713420M91	1	Tube	Up to Serial or Engine Number C192033
	3713677M2	1	Hydr Hose	From Serial or Engine Number C192034 Length 420MM
4	3713416M93	1	Tube	
5	3715894M91	1	Hydr Hose	3713787M1
6	3713624M91	1	Tube	From Serial or Engine Number C192034
7	3713634M1	1	Gasket	From Serial or Engine Number C192034
8	391001X1	2	Stud	(6) M8X25
9	3712555M91	1	Tube	[A,B]
10	394367X1	2	Locknut	From Serial or Engine Number C192034 M8
11	3019391X91	1	Union	From Serial or Engine Number C194034 M33X2
12	3019399X1	1	O Ring	(11)
13	367277X1	1	Elbow	From Serial or Engine Number C192034

[A]
WITHOUT DISTRIBUTOR

[B]
FOR CHASSIS U.S.A

1-AP18-511-B



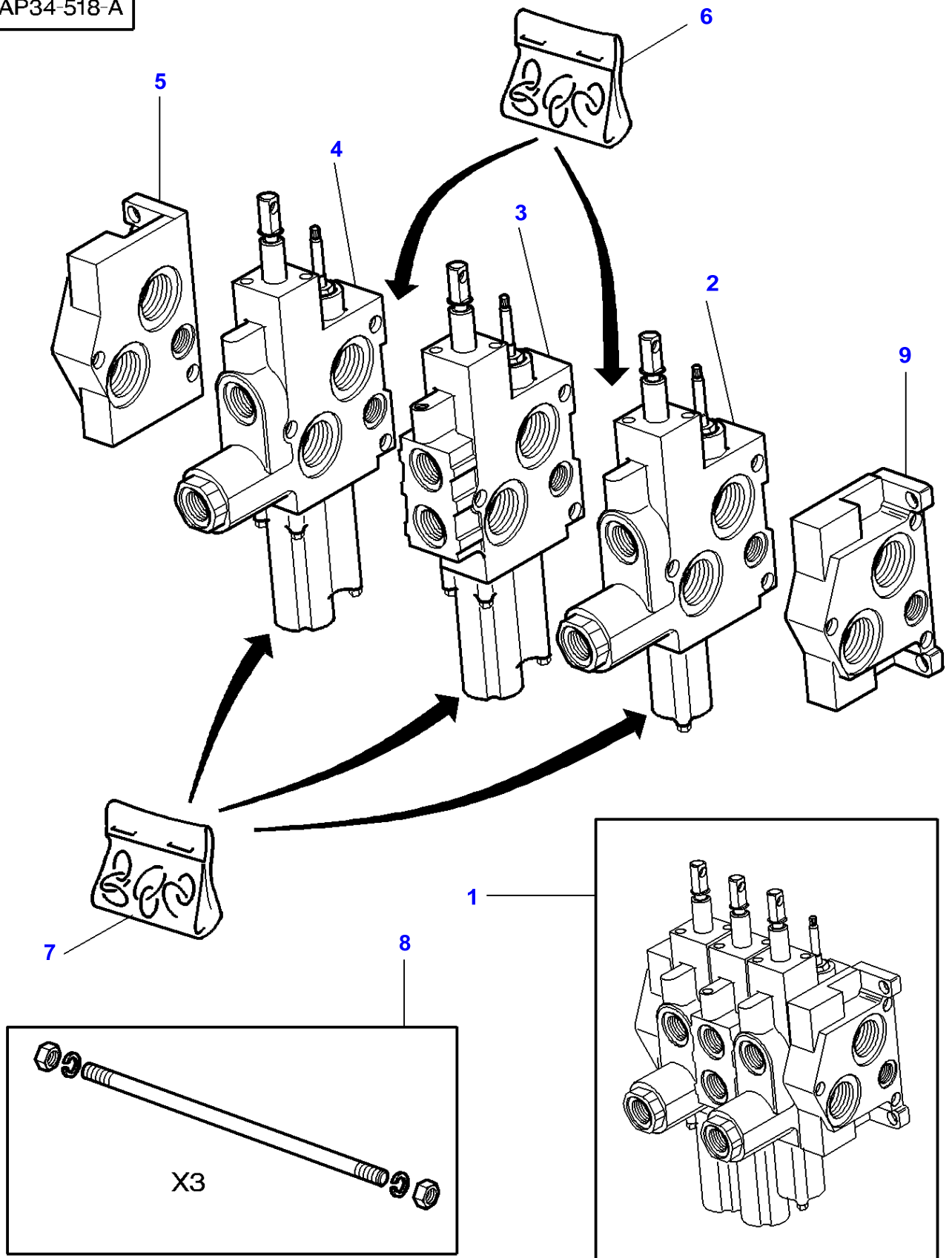
ELECTRONIC LIFT-HYDRAULIC VALVE - 3RD LOAD SENSING DISTRIBUTOR FROM SERIAL D279002

Item	Part Number	Qty	Description	Comments
				3RD LOAD SENSING DISTRIBUTOR FROM SERIAL D279002
1	3714928M91	1	Tube	
2	3715575M1	1	Tube	
3	3715579M1	1	Tube	
4	3714930M91	1	Tube	
5	3715894M91	1	Hydr Hose	3713787M1
6	3713624M91	1	Tube	
7	3713634M1	1	Gasket	
8	391001X1	2	Stud	(6) M8X25
9	367277X1	1	Elbow	
10	394367X1	2	Locknut	M8
11	3019391X91	1	Union	[C] M33X2
12	3019399X1	1	O Ring	(11)
13	339123X1	4	Screw Metric	M8X20
14	390972X1	4	Washer Metric	
15	3712318M1	1	Pressure Valve	
16	3009289X1	3	Screw Metric	M8X70
17	3019410X91	1	Elbow Nipple	
18	3019394X1	1	O Ring	(17)
19	3019420X91	1	Union	
20	3019398X1	1	O Ring	(19)
21	3019613X91	1	Union	
22	3019398X1	1	O Ring	(21)
23	3385728M92	1	Tube	Left Hand
24	3385727M92	1	Tube	Right Hand
25	3019420X91	1	Union	
26	3019398X1	1	O Ring	(25)
27	3019389X91	1	Union	
28	3019398X1	1	O Ring	(27)
29	3019594X91	1	Elbow	[A]
30	3714932M91	1	Tube	
31	356564X1	1	Union	
32	356633X1	1	Adaptor	
33	375048X1	1	Nut	
34	367277X1	1	Elbow	

[A]
NO ILLUSTRATED

[C]
WITH 3 DISTRIBUTORS

1-AP34-518-A



DISTRIBUTOR - WITH LOAD SENSING EXCEPTED NATO

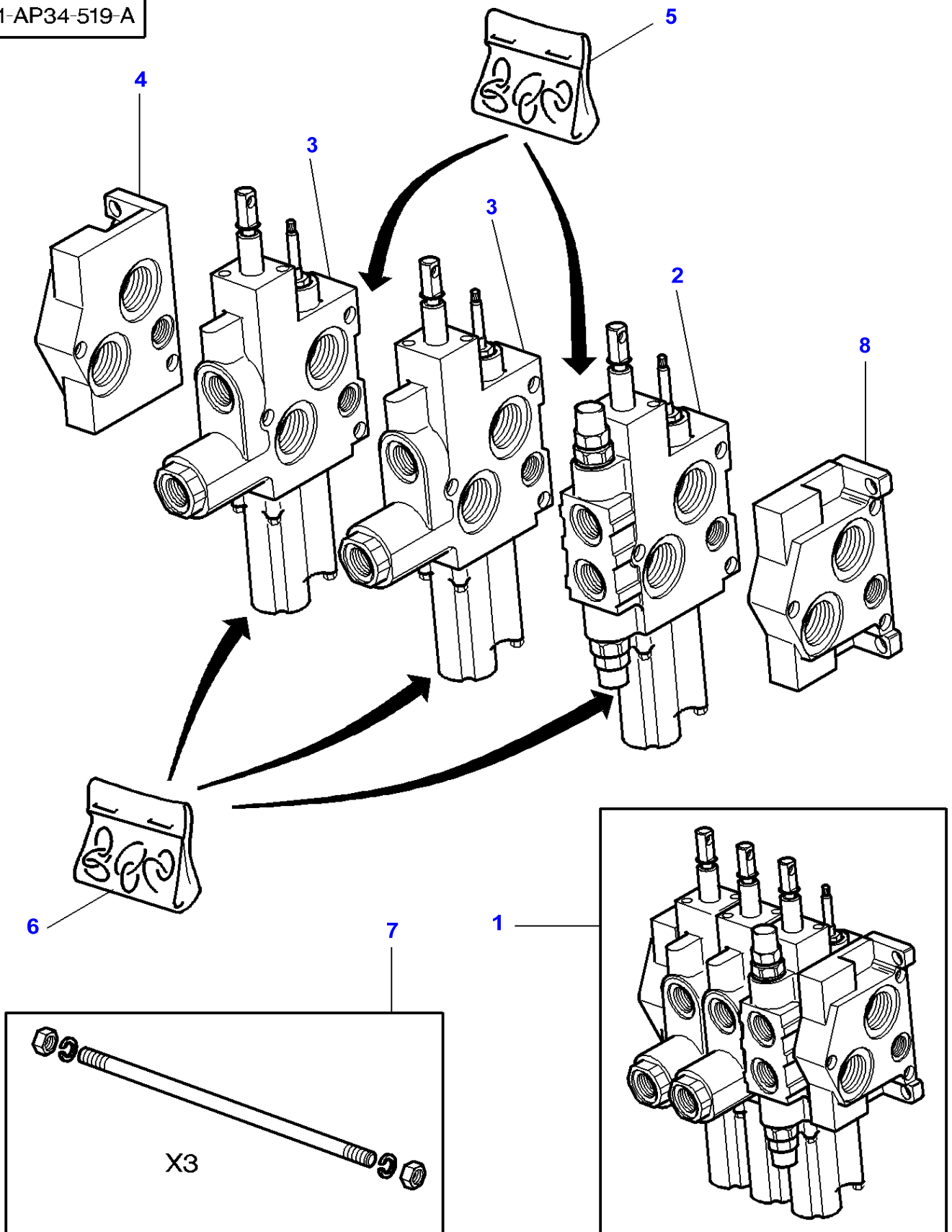
Item	Part Number	Qty	Description	Comments
				WITH LOAD SENSING EXCEPTED NATO
1	3713020M91	1	Distributor	See Page - Reference Number 306/
2	3902063M91	1	Distributor	[B]
3	3902062M91	1	Distributor	[A]
4	3713928M1	1	Distributor	[C] 3902064M91
5	3902061M91	1	Element	
6	3902067M91	1	Kit, Joint	
7	3902066M91	1	Kit, Joint	
8	3902070M91	1	Parts Pack	
9	3902060M91	1	Element	

[A]
DIST 4 FLOATING POSITIONS ,FLOW ADJUST,KICK-OUT,W/ O, ZERO LEAK

[B]
DIST 3 FLOATING POSITIONS,RETURN BY SPRING,FLOW AD JUST,ZERO LEAK

[C]
4 FLOATING POSITIONS DIST,FLOW ADJUST,KICK-OUT,ZER O LEAK

1-AP34-519-A



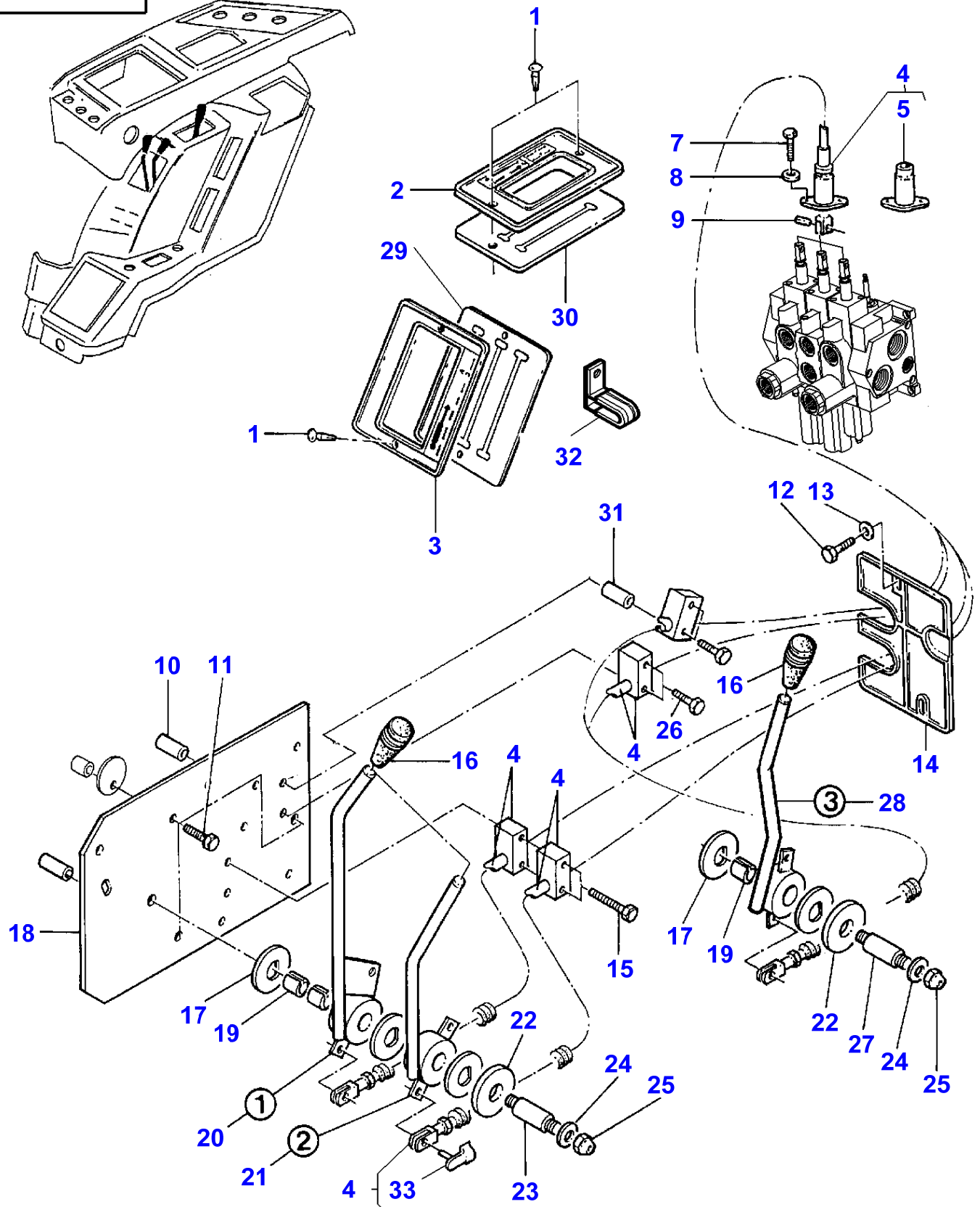
DISTRIBUTOR - WITH LOAD SENSING FOR NATO

Item	Part Number	Qty	Description	Comments
				WITH LOAD SENSING FOR NATO
1	3713021M91	1	Distributor	
2	3713927M1	1	Distributor	[B] 3902065M91
3	3713928M1	2	Distributor	[A] 3902064M91
4	3902061M91	1	Element	
5	3902067M91	1	Kit, Joint	
6	3902066M91	1	Kit, Joint	
7	3902070M91	1	Parts Pack	
8	3902060M91	1	Element	

[A]
4 FLOATING POSITIONS DIST, FLOW ADJUST, KICK-OUT, ZERO LEAK

[B]
4 FLOAT POSIT DIST, FLOW ADJUST, KICK-OUT W 2 OVERP RES. VALVE AND RESUPPLYING FOR HYDRAULIC MOTOR

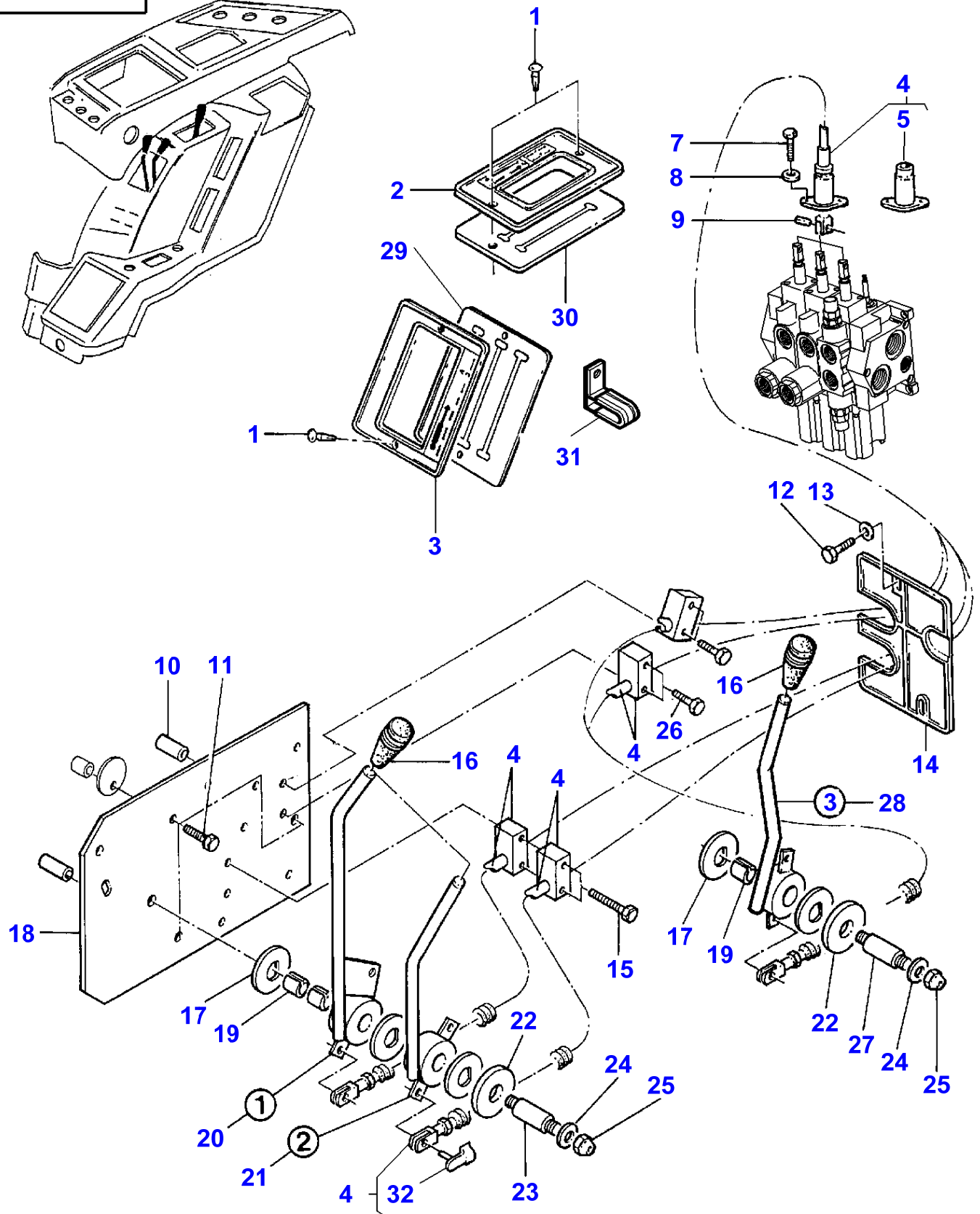
1-AP35-038



AUXILIARY HYDRAULICS - WITH LOAD SENSING EXCEPTED NATO

Item	Part Number	Qty	Description	Comments
				WITH LOAD SENSING EXCEPTED NATO
1	3616374M1	4	Rivet	
2	3615818M1	1	Cover	
3	3615816M1	1	Cover	
4	3713508M2	3	Hydraulic Cable	Length 1257MM
5	3902200M91	1	Parts Pack	(4)
7	357831X1	6	Screw	1/4X16
8	390971X1	6	Washer Metric	
9	3714223M1	3	Clevis Pin	
10	3582393M1	2	Spacer	
11	3009446X1	3	Screw	
12	339124X1	2	Screw Metric	
13	390972X1	2	Washer Metric	
14	3582196M2	1	Plate	
15	391884X1	2	Bolt Metric	M6X50
16	3387529M2	3	Handle	
17	3386514M1	5	Friction Disc	
18	3713061M91	1	Plate	
19	3386515M1	3	Bearing	
20	3713063M91	1	Lever	
21	3713065M91	1	Lever	
22	3387447M1	2	Washer	
23	3582411M1	1	Clevis Pin	Length 70MM
24	390972X1	2	Washer Metric	
25	1441461X1	2	Nut Metric	
26	339262X1	X	Bolt Metric	
27	3582412M1	1	Clevis Pin	Length 50MM
28	3713067M91	1	Lever	
29	3615897M1	1	Dust Shield	
30	3615896M1	1	Dust Shield	
31	3582836M1	1	Spacer	
32	3713549M1	1	Strap	
33	3600191M1	1	Clevis Pin	(4) Length 40MM

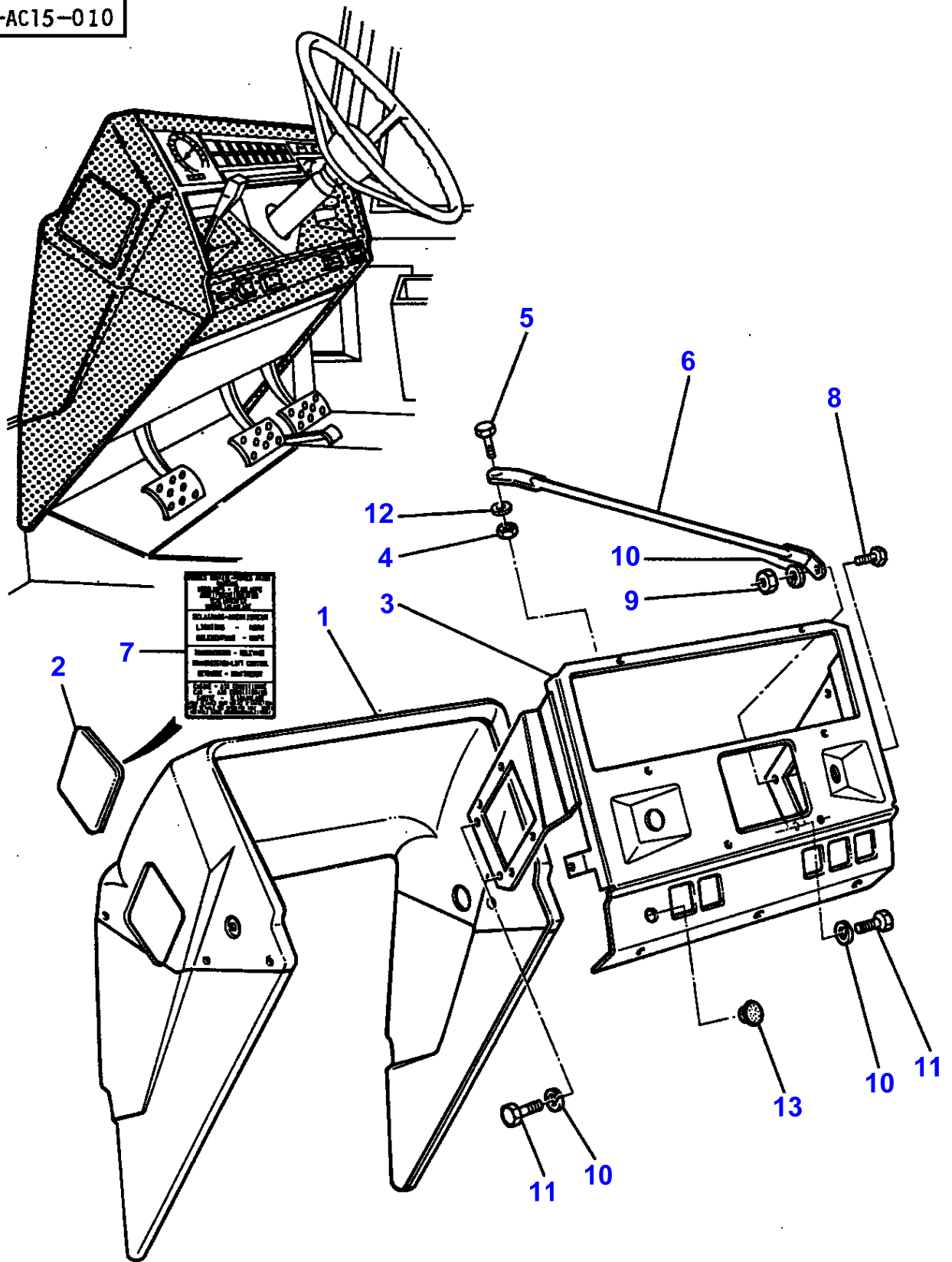
1-AP35-037



AUXILIARY HYDRAULICS - WITH LOAD SENSING FOR NATO

Item	Part Number	Qty	Description	Comments
				WITH LOAD SENSING FOR NATO
1	3616374M1	4	Rivet	
2	3615818M1	1	Cover	
3	3615816M1	1	Cover	
4	3713508M2	3	Hydraulic Cable	Length 1257MM
5	3902200M91	1	Parts Pack	(4)
7	357831X1	6	Screw	1/4X16
8	390971X1	6	Washer Metric	
9	3714223M1	3	Clevis Pin	
10	3582393M1	2	Spacer	
11	3009446X1	3	Screw	
12	339124X1	2	Screw Metric	
13	390972X1	2	Washer Metric	
14	3582196M2	1	Plate	
15	391884X1	2	Bolt Metric	M6X50
16	3387529M2	3	Handle	
17	3386514M1	5	Friction Disc	
18	3713061M91	1	Plate	
19	3386515M1	3	Bearing	
20	3713063M91	1	Lever	
21	3713065M91	1	Lever	
22	3387447M1	2	Washer	
23	3582411M1	1	Clevis Pin	Length 70MM
24	390972X1	2	Washer Metric	
25	1441461X1	2	Nut Metric	
26	339262X1	X	Bolt Metric	
27	3582412M1	1	Clevis Pin	Length 50MM
28	3713067M91	1	Lever	
29	3615897M1	1	Dust Shield	
30	3615896M1	1	Dust Shield	
31	3713549M1	1	Strap	
32	3600191M1	1	Clevis Pin	(4) Length 40MM

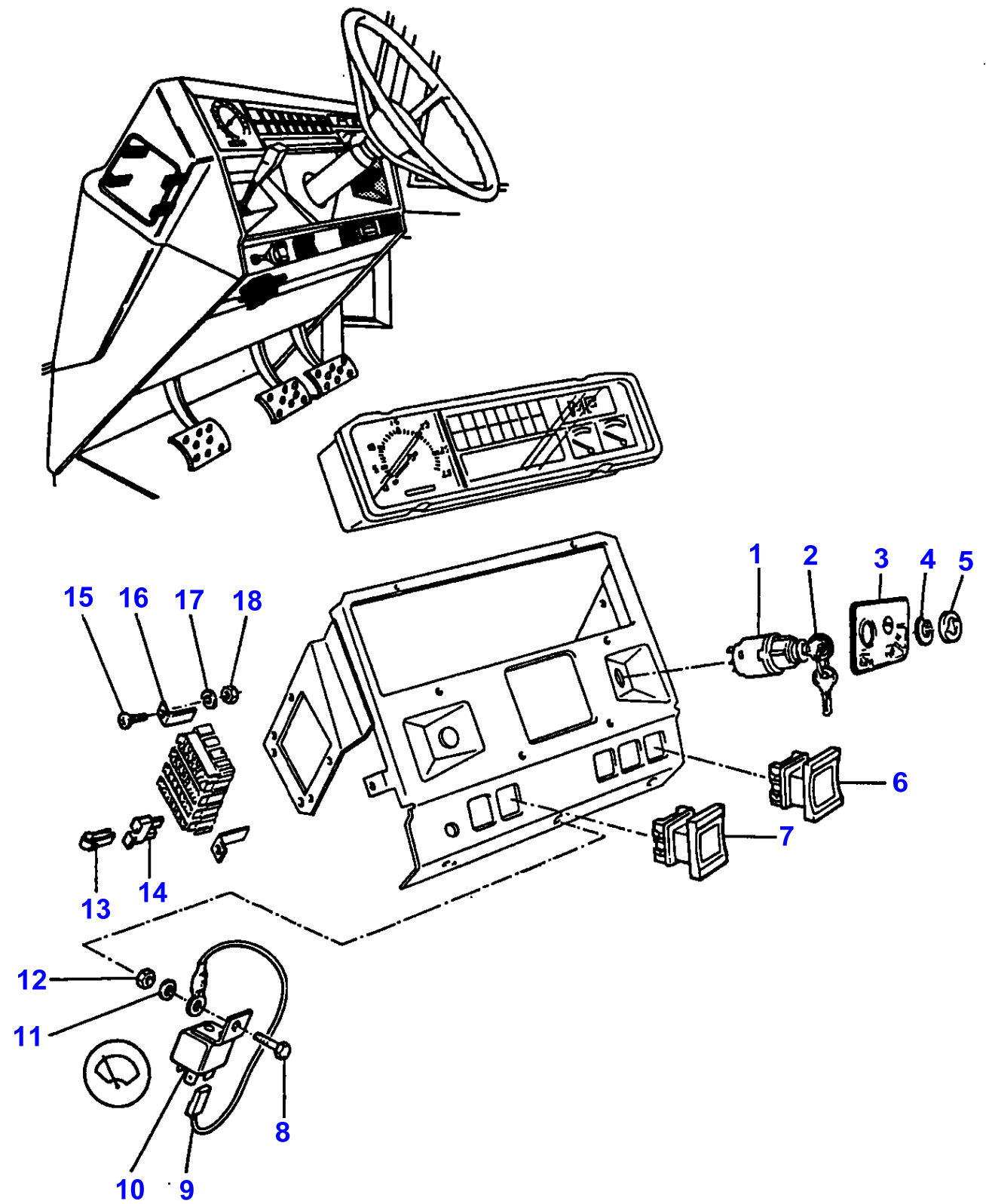
1-AC15-010



INSTRUMENT PANEL AND INSTRUMENTS - FROM A174031 (SPEEDSHIFT) OR A107032 (DYNASHIFT)

Item	Part Number	Qty	Description	Comments
				FROM A174031 (SPEEDSHIFT) OR A107032 (DYNASHIFT)
1		1	Frame	See Page - Reference Number 408/
2		1	Gate	See Page - Reference Number 408/
3	3615399M91	1	Instrument Panel	
4	392308X1	1	Nut	
5	391074X1	1	Screw Metric	
6	3582764M1	1	Draglink	
7	3615534M1	1	Decal	
8	339761X1	1	Screw Metric	
9	339169X1	1	Nut Metric	
10	339374X1	4	Lock Washer	
11	339124X1	3	Screw Metric	
12	1441206X1	1	Lock Washer	
13	1699748M1	1	Plug	

1-AU21-005



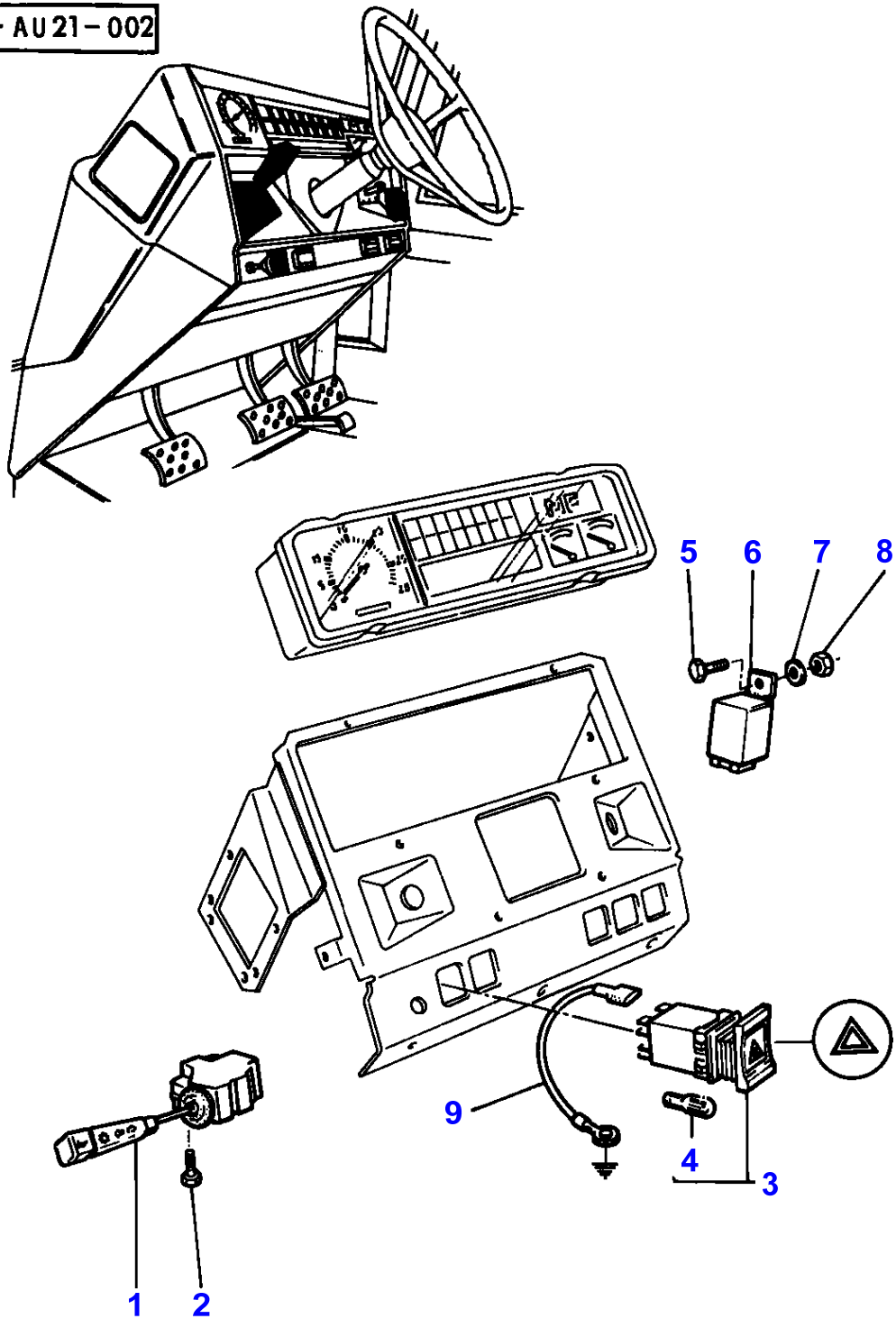
Item	Part Number	Qty	Description	Comments
				ENGINE
1	1874535M3	1	Switch, Ignition	
2	1695447M1	1	Ignition Key	
3	3583937M2	1	Decal	[B]
	3387323M2	1	Decal	[B,C]
4	1443606X1	1	Washer	
5	1694534M1	1	Nut	
6	3385765M1	1	Plug	
7	3385765M1	1	Plug	[B]
8	390990X1	1	Screw Metric	
9	903078M1	1	Earth Strap	
10	3387326M2	1	Relay	[A] 12V 50A
11	339381X1	1	Lock Washer	
12	390995X1	1	Nut Metric	
13	3389401M1	1	Fastener	
14	3620023M1	X	Fuse	5 A
	3387319M1	X	Fuse	7,5 A
	1695939M1	X	Fuse	10 A
	1695966M1	X	Fuse	15 A
				3387321M1
14	3620027M1	X	Fuse	25 A
15	339160X1	4	Screw	
16	3387325M1	4	Support	
17	339381X1	4	Lock Washer	
18	390995X1	4	Nut Metric	

[A]
USED ALSO FOR PLATFORM WITH DYNASHIFT

[B]
WITHOUT ETHER STARTING

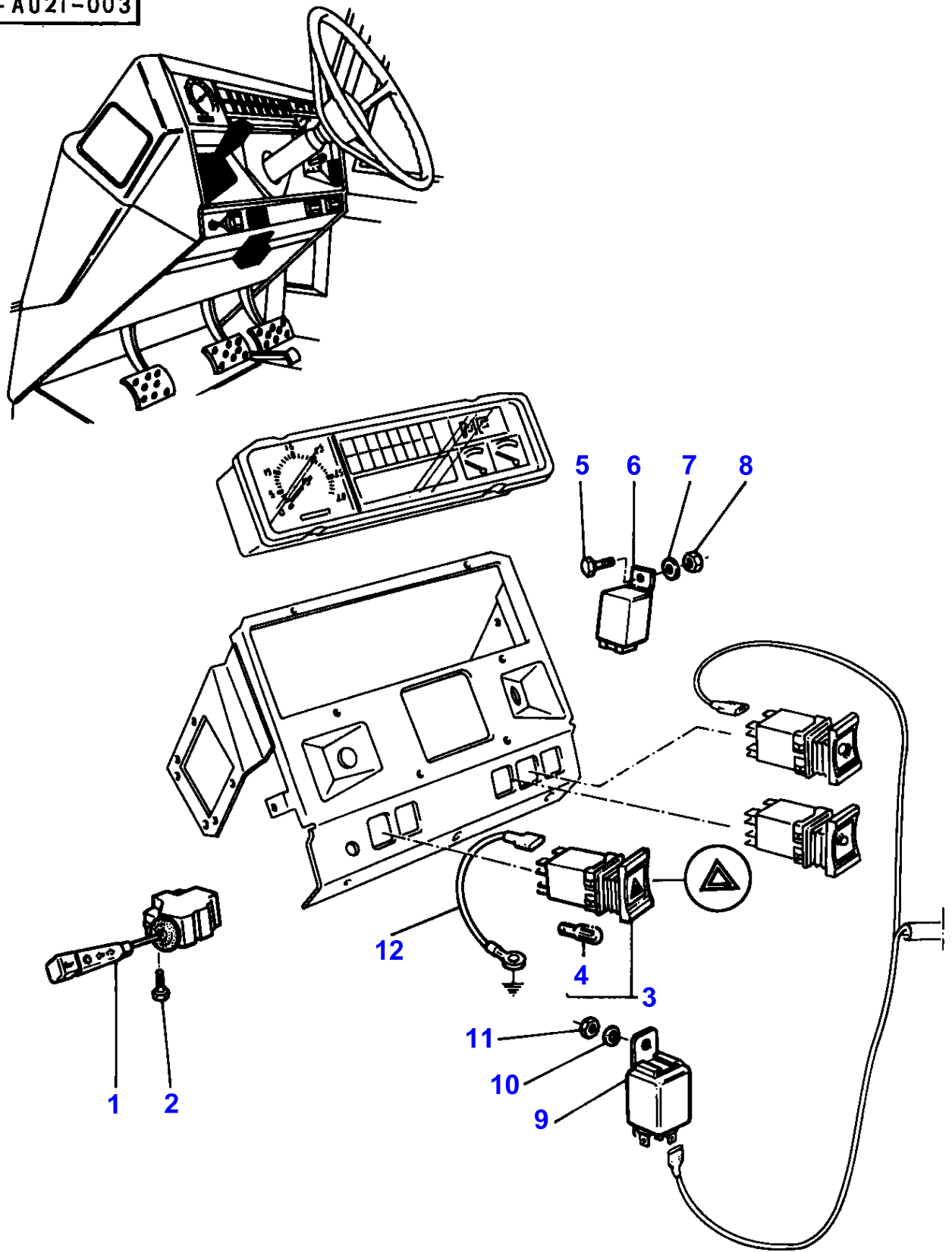
[C]
AUSTRIA

1-AU21-002



Item	Part Number	Qty	Description	Comments
				LIGHTING
1	3381403M1	1	Commutator	
2	339160X1	2	Screw	M5X10
3	3581474M91	1	Switch,Indirect	
4	3405185M1	1	Bulb 12v 1.2w	(3)
5	339560X1	1	Screw Metric	M6X16
6	3617865M1	1	Blinker	
7	339375X1	1	Lock Washer	
	1441206X1	1	Lock Washer	
8	339030X1	1	Nut Metric	M6
9	903078M1	1	Earth Strap	

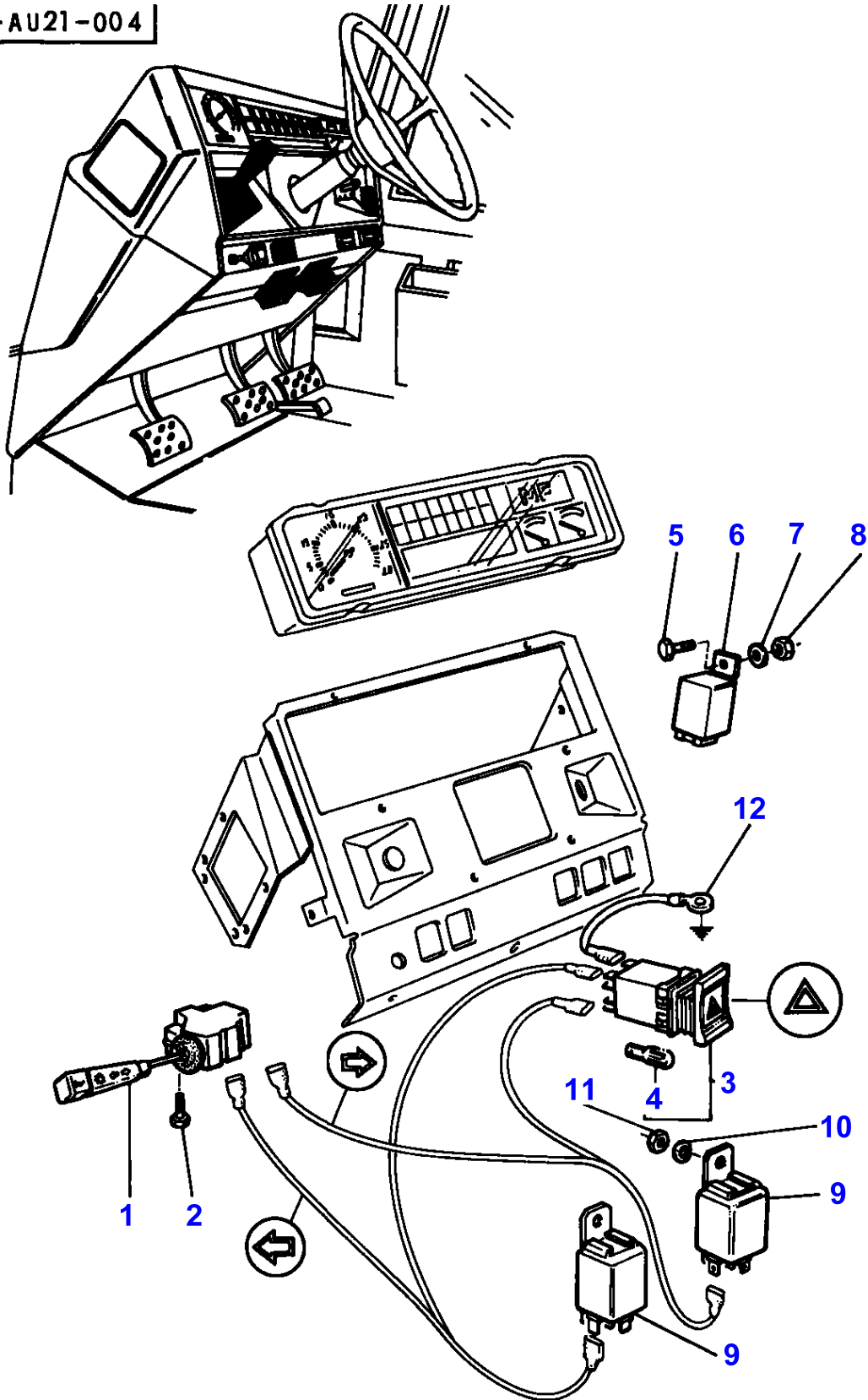
1-AU21-003



Item	Part Number	Qty	Description	Comments
				LIGHTING FOR GERMANY AUSTRIA
1	3381403M1	1	Commutator	
2	339160X1	2	Screw	M5X10
3	3581474M91	1	Switch,Indirect	
4	3405185M1	1	Bulb 12v 1.2w	(3) Repairs and replaces 3370435M1
5	339560X1	1	Screw Metric	M6X16
6	3617865M1	1	Blinker	
7	339375X1	1	Lock Washer	DIA. 11.8
	1441206X1	1	Lock Washer	M6
8	339030X1	1	Nut Metric	M6
9	3615652M1	1	Relay	Repairs and replaces 3583507M1
	3615652M1	5	Relay	[A]
10	339381X1	1	Lock Washer	
	339381X1	5	Lock Washer	[A]
11	390995X1	1	Nut Metric	
	390995X1	5	Nut Metric	[A]
12	903078M1	1	Earth Strap	

[A]
AUSTRIA

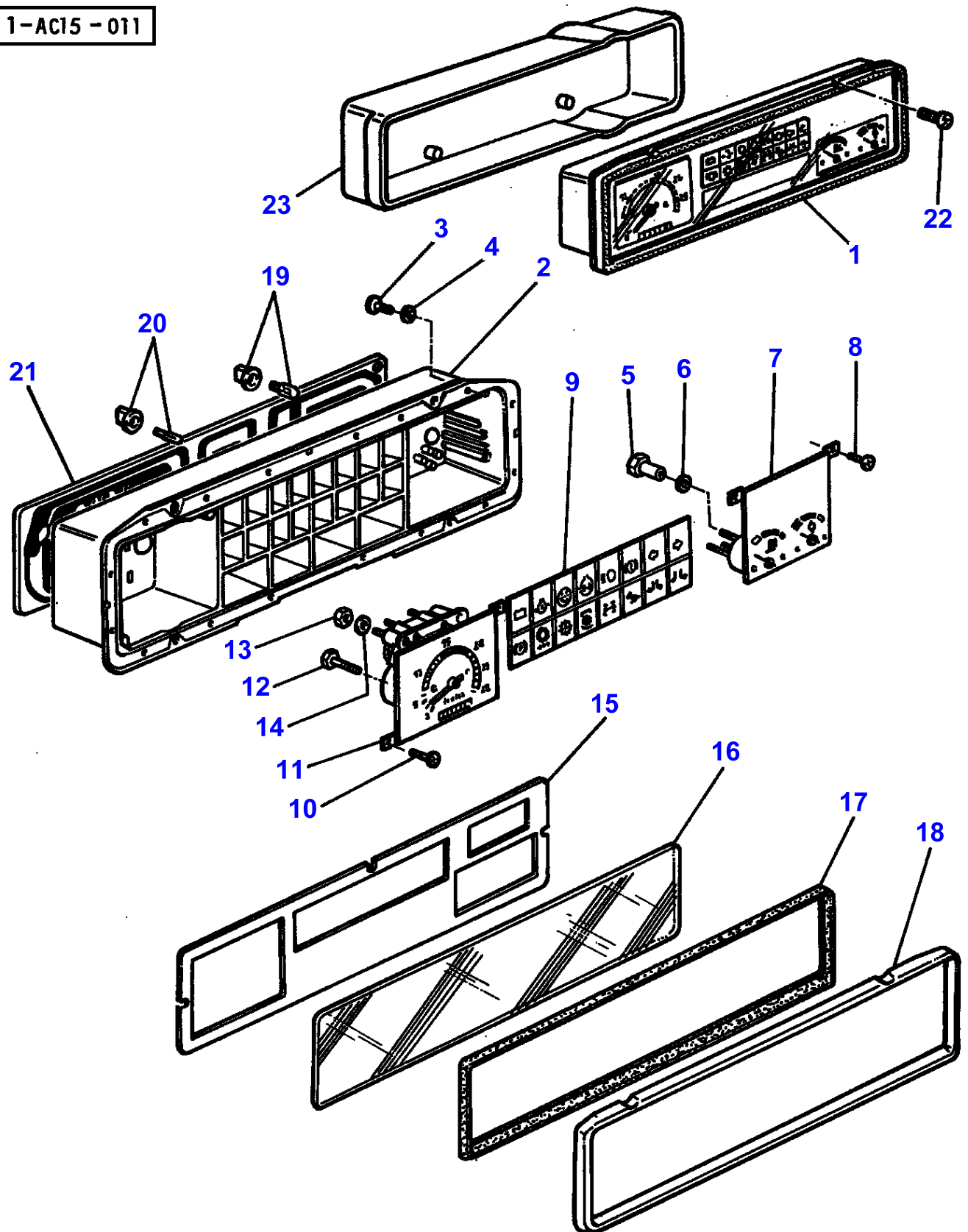
1-AU21-004



ELECTRIC EQUIPMENT & INSTRUMENT PANEL - LIGHTING

Item	Part Number	Qty	Description	Comments
				LIGHTING
1	3381403M1	1	Commutator	
2	339160X1	2	Screw	M5X10
3	3581474M91	1	Switch,Indirect	
4	3405185M1	1	Bulb 12v 1.2w	(3)
5	339560X1	1	Screw Metric	M6X16
6	3617865M1	1	Blinker	
7	339375X1	1	Lock Washer	
	1441206X1	1	Lock Washer	
8	339030X1	1	Nut Metric	M6
9	3615652M1	2	Relay	
10	339381X1	2	Lock Washer	
11	390995X1	2	Nut Metric	
12	903078M1	1	Earth Strap	

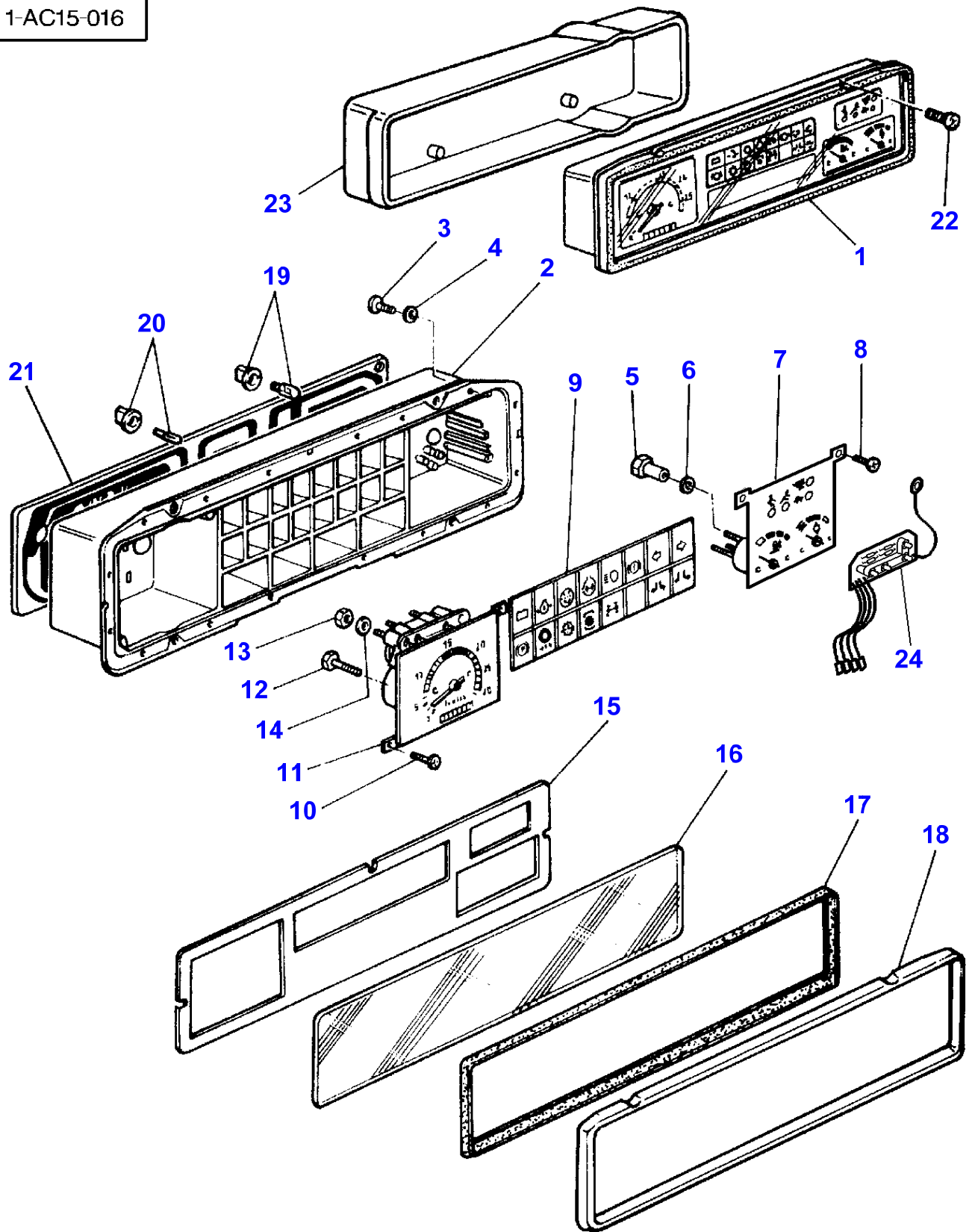
1-AC15 - 011



Item	Part Number	Qty	Description	Comments
				UP TO A174030 (SPEEDSHIFT) OR A107031 (DYNASHIFT)

1	3387525M95	1	Instrument Panel	
2		1	Case Assy	(1) Not serviced, order REF 1
3	365909X1	16	Self Tap Screws	(1)
4	390703X1	16	Washer Metric	(1)
5	3310892M1	3	Screw	(1)
6	3000081X1	3	Washer	(1)
7	3310889M91	1	Instrument	(1)
8	3310901M1	2	Screw	(1)
9	3310893M2	1	Indicator	(1)
10	3310901M1	2	Screw	(1)
11	3310888M92	1	Tractormeter	(1)
12	3005678X1	1	Self Tap Screws	(1)
13	1443615X1	3	Nut Metric	(1)
14	390977X1	3	Washer Metric	(1)
15	3310894M1	1	Plate	(1)
16	3310895M1	1	Window	(1)
17	3310896M1	1	Gasket	(1)
18	3310897M1	1	Frame Assy	(1)
19	3600463M91	14	Parts Pack	[B] (1)
	3600458M91	2	Parts Pack	[A] (1)
20	3600459M91	4	Parts Pack	[C] (1)
21	3600427M91	1	Printed Circuit	(1)
22	390962X1	4	Screw Metric	
23	3616577M1	1	Envelope	[D]
				[A] RED
				[B] BLACK
				[C] BLUE
				[D] TRACTOR WITH PLATFORM

1-AC15-016



Item	Part Number	Qty	Description	Comments
				FROM A174031 (SPEEDSHIFT) OR A107032 (DYNASHIFT)
1	3617919M92	1	Instrument Panel	
2		1	Case Assy	(1) Not serviced, order REF 1
3	365909X1	16	Self Tap Screws	(1)
4	390703X1	16	Washer Metric	(1)
5	3310892M1	3	Screw	(1)
6	3000081X1	3	Washer	(1)
7	3900395M91	1	Instrument	(1)
8	3310901M1	2	Screw	(1)
9		1	Indicator	(1) Not serviced, order REF 1
10	3310901M1	2	Screw	(1)
11	3310888M92	1	Tractormeter	(1)
12	3005678X1	1	Self Tap Screws	(1)
13	1443615X1	3	Nut Metric	(1)
14	390977X1	3	Washer Metric	(1)
15	3310894M1	1	Plate	(1)
16	3310895M1	1	Window	(1)
17	3310896M1	1	Gasket	(1)
18	3310897M1	1	Frame Assy	(1)
19	3600463M91	14	Parts Pack	[B] (1)
	3600458M91	2	Parts Pack	[A] (1)
20	3600459M91	4	Parts Pack	[C] (1)
21	3600427M91	1	Printed Circuit	(1)
22	390962X1	4	Screw Metric	
23	3616577M1	1	Envelope	[D]
24	3900396M91	1	Printed Circuit	(1)

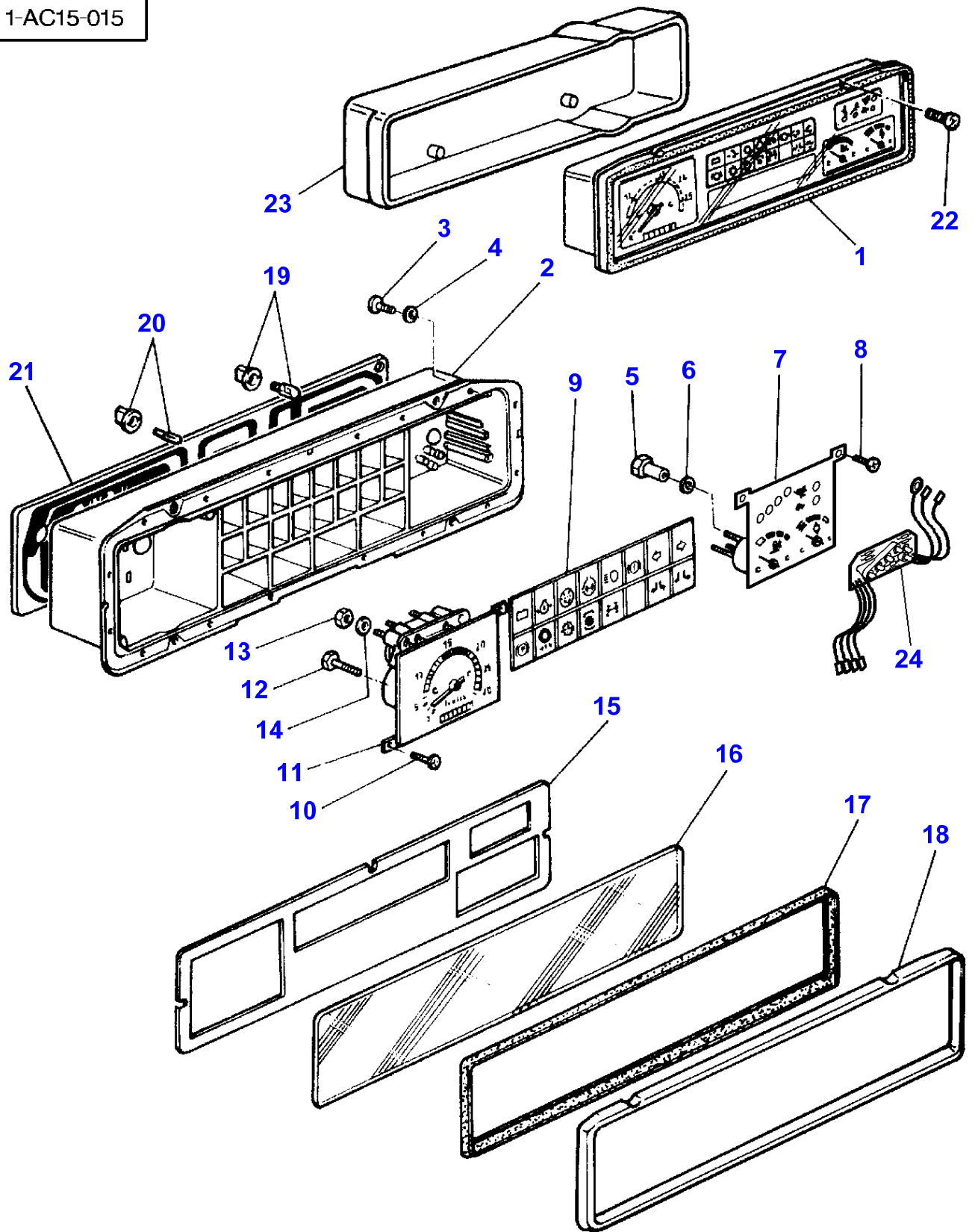
[A]
RED

[B]
BLACK

[C]
BLUE

[D]
TRACTOR WITH PLATFORM

1-AC15-015



INSTRUMENT PANEL AND INSTRUMENTS-DYNASHIFT

Item	Part Number	Qty	Description	Comments
1	3617615M92	1	Instrument Panel	
	3619511M12	1	Instrument Panel	[E]
				3619511M92
2		1	Case Assy	(1) Not serviced, order REF 1
3	365909X1	16	Self Tap Screws	(1)
4	390703X1	16	Washer Metric	(1)
5	3310892M1	6	Screw	(1)
6	3000081X1	6	Washer	(1)
7	3900397M91	1	Instrument	(1)
	3900908M91	1	Parts Pack	[E] (1)
8	3310901M1	2	Screw	(1)
9		1	Indicator	(1) Not serviced, order REF 1
10	3310901M1	2	Screw	(1)
11	3310888M92	1	Tractormeter	(1)
12	3005678X1	1	Self Tap Screws	(1)
13	1443615X1	3	Nut Metric	(1)
14	390977X1	3	Washer Metric	(1)
15	3310894M1	1	Plate	(1)
16	3310895M1	1	Window	(1)
17	3310896M1	1	Gasket	(1)
18	3310897M1	1	Frame Assy	(1)
19	3600463M91	14	Parts Pack	[B] (1)
	3600458M91	2	Parts Pack	[A] (1)
20	3600459M91	4	Parts Pack	[C] (1)
21	3600427M91	1	Printed Circuit	(1)
22	390962X1	4	Screw Metric	
23	3616577M1	1	Envelope	[D]
24	3900398M91	1	Printed Circuit	(1)

[A]
RED

[B]
BLACK

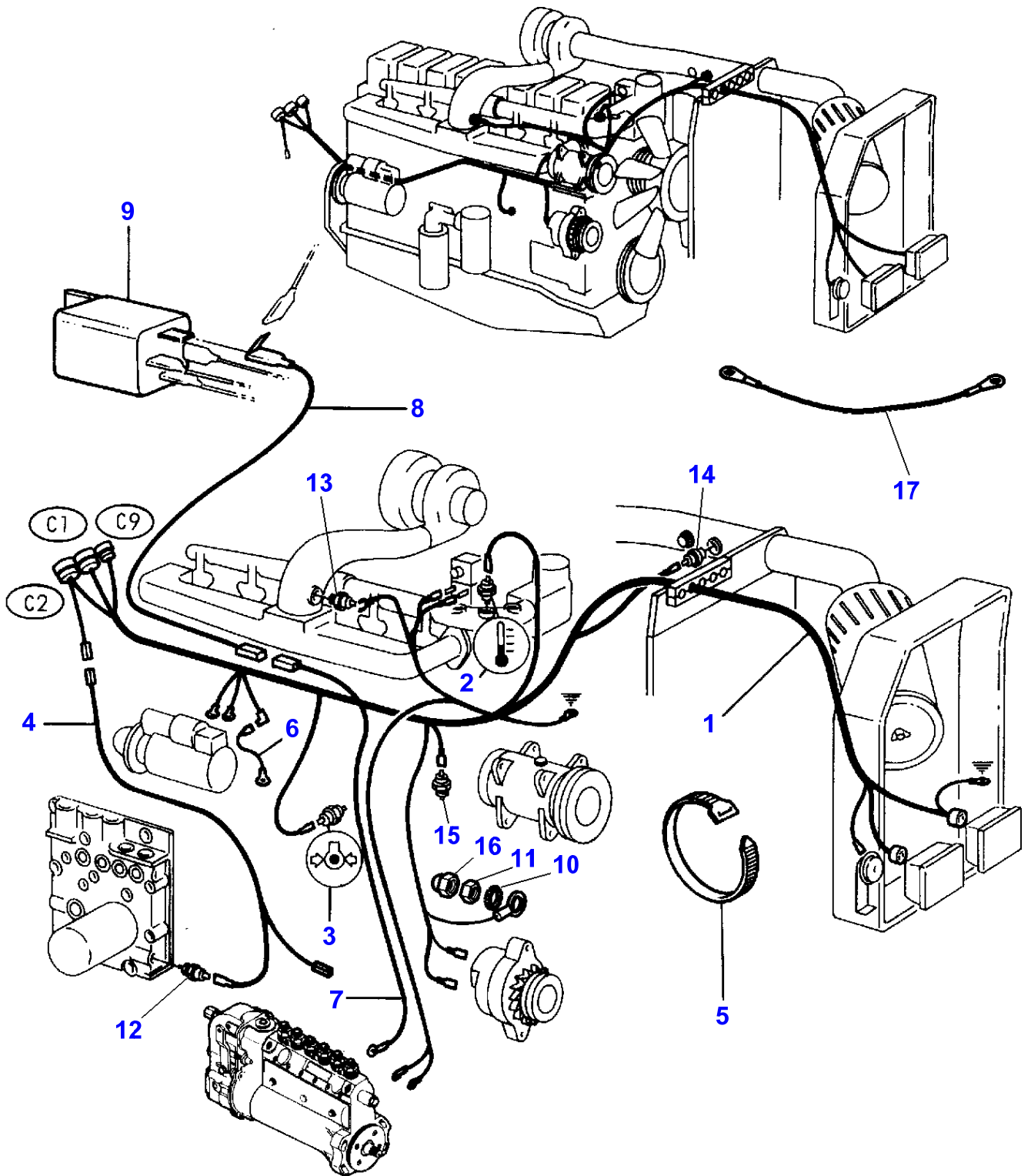
[C]
BLUE

[D]
TRACTOR WITH PLATFORM

[E]
AUSTRIA

[F]
FOR JAPANESE MARKET ONLY

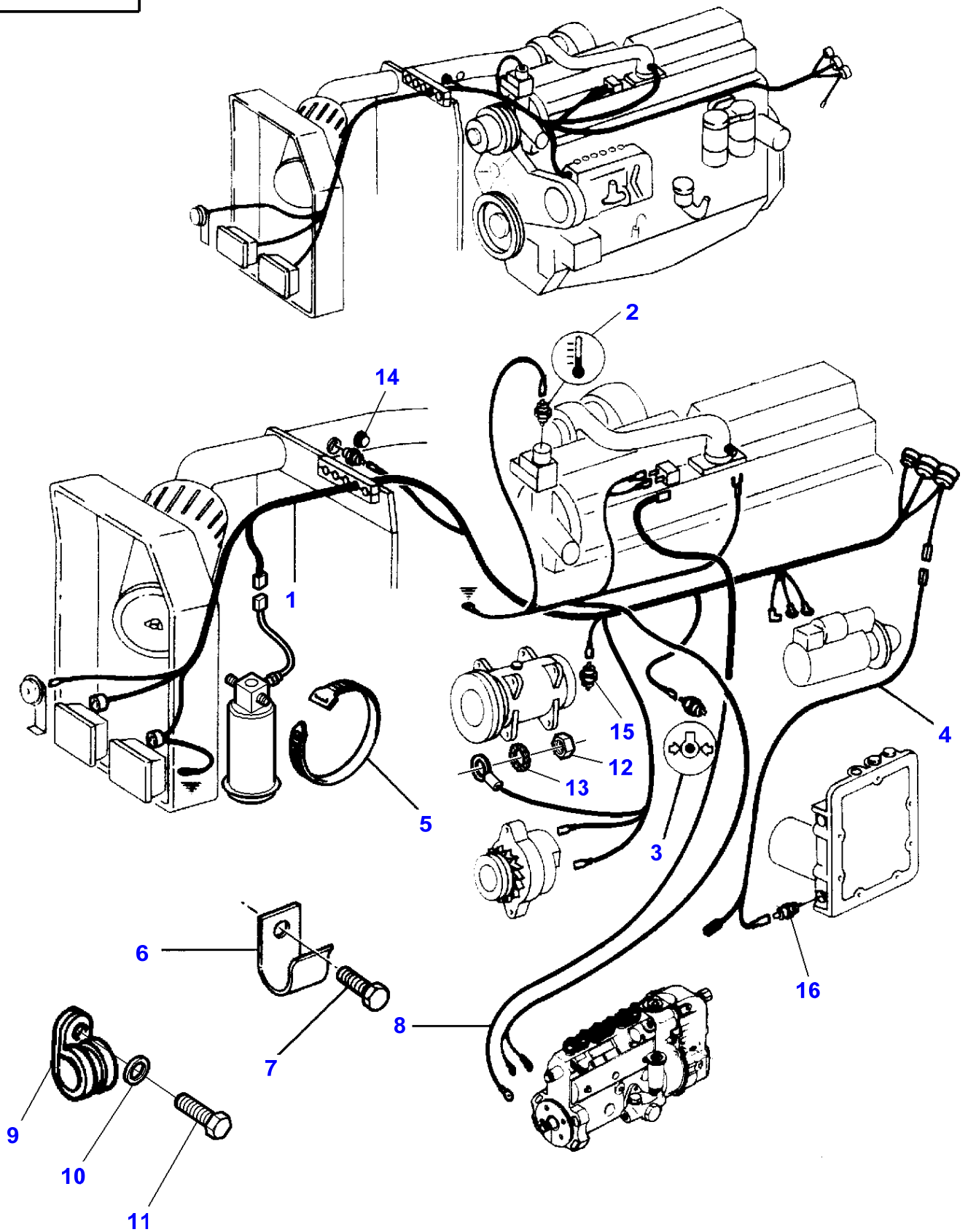
1-AU16-179



Item	Part Number	Qty	Description	Comments
				UP TO NO C146005
1	3617319M3	1	Harness	Up to Serial or Engine Number B109017
	3618929M1	1	Harness	From Serial or Engine Number B109018
	3616971M3	1	Harness	[A]
				Up to Serial or Engine Number B284019
1	3618928M1	1	Harness	[A]
				From Serial or Engine Number B284020
2	3583331M1	1	Sender	
3	3583330M1	1	Sender	
4	3583255M1	1	Harness	
5	3619622M1	4	Tie	
6	3582584M1	1	Earth Strap	
7	3617768M1	1	Wire	Up to Serial or Engine Number S277007
8	3617767M1	1	Wire	Up to Serial or Engine Number S277007
9		1	Relay	See Page - Reference Number 318/1
10	339375X1	1	Lock Washer	[A]
				From Serial or Engine Number B284020
10	339375X1	1	Lock Washer	From Serial or Engine Number B109018
11	339030X1	1	Nut Metric	[A]
				From Serial or Engine Number B284020
11	339030X1	1	Nut Metric	From Serial or Engine Number B109018
12		1	Pressure Switch	See Page - Reference Number 265/
13		1	Intake Heater	See Page - Reference Number 46/
14		1	Switch,Indirect	See Page - Reference Number 76/1
15		1	Switch,Indirect	See Page - Reference Number 60/
16	3712740M1	1	Nut	From Serial or Engine Number
17	3712175M1	1	Wire	[A]

[A]
AUSTRIA

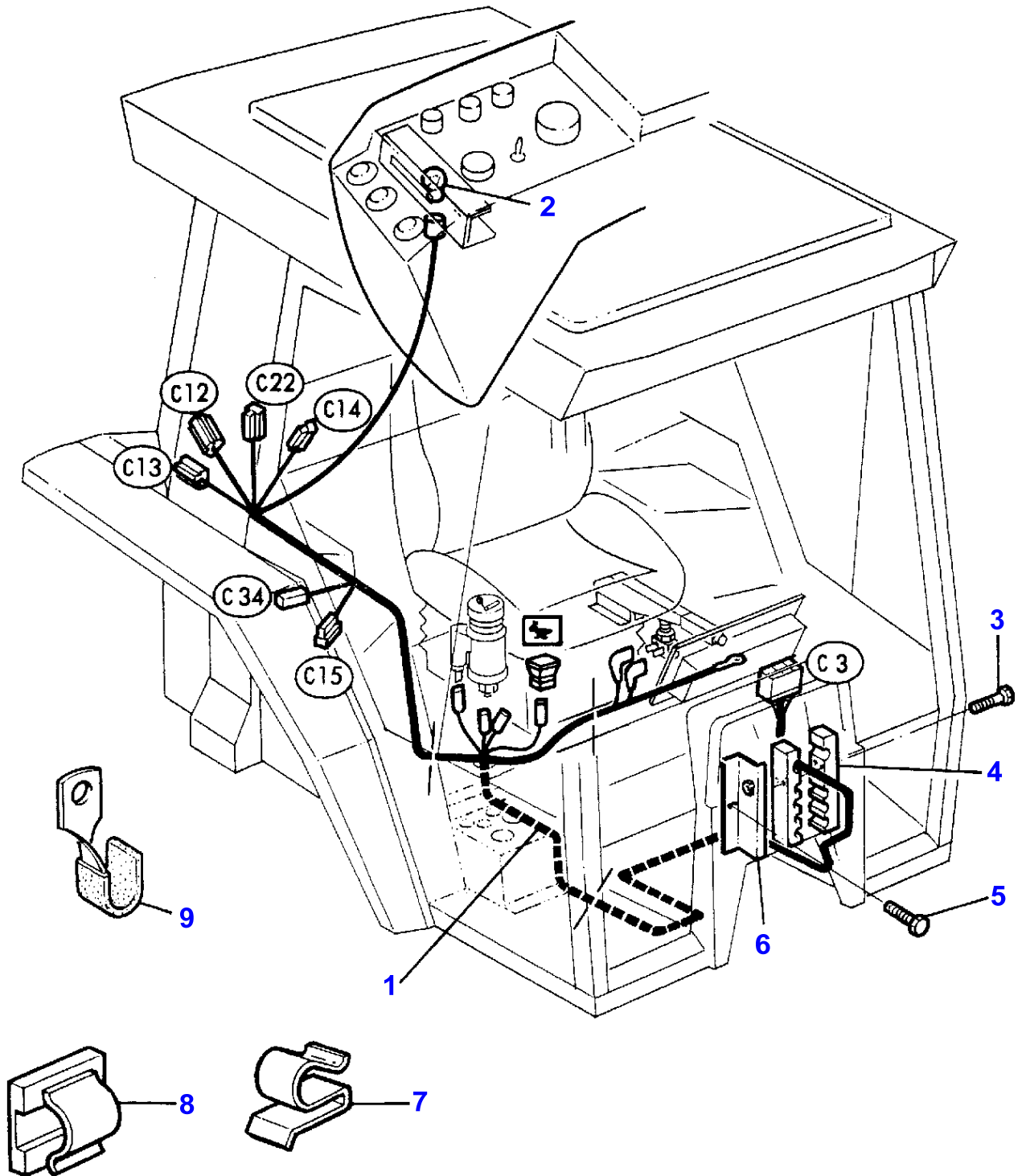
1-AU16-172



TRACTOR CAB-ELECTRICAL WIRING - FROM NO C146006

Item	Part Number	Qty	Description	Comments
				FROM NO C146006
1	3618928M1	1	Harness	Up to Serial or Engine Number C210009
	3712505M1	1	Harness	From Serial or Engine Number C210010
2	3583331M1	1	Sender	
3	3583330M1	1	Sender	
4	3583255M1	1	Harness	
5	3619622M1	4	Tie	
6	3583344M1	3	Strap	
7	339124X1	2	Screw Metric	M8X16
8	3712175M1	1	Wire	
9	3387756M1	1	Strap	
10	390972X1	1	Washer Metric	
11	339123X1	1	Screw Metric	M8X20
12	339030X1	1	Nut Metric	
13	339375X1	1	Lock Washer	
14		1	Switch,Indirect	See Page - Reference Number 77/1
15		1	Pressure Switch	See Page - Reference Number 60/
16		1	Pressure Switch	See Page - Reference Number 265/

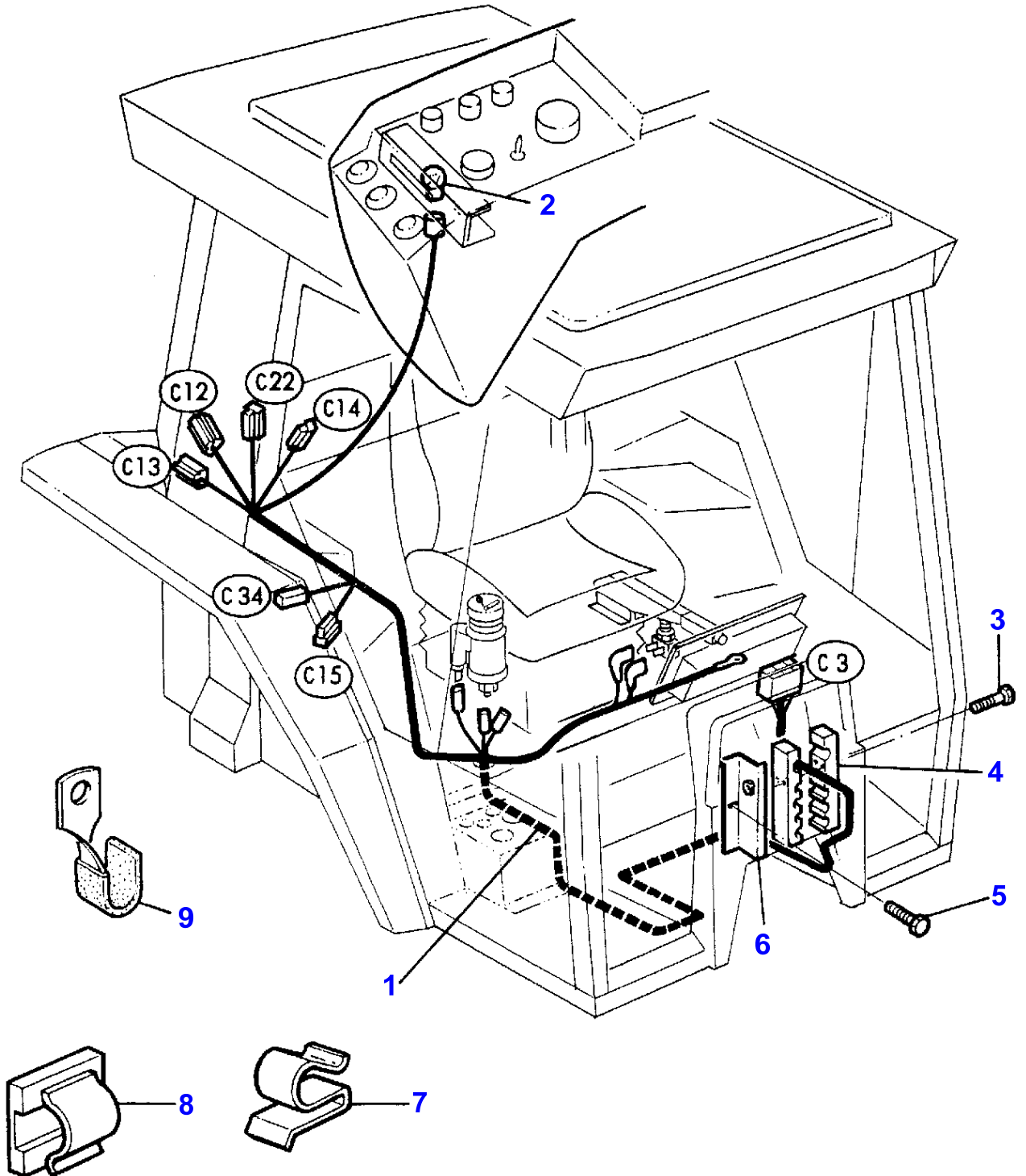
1-AU16-113



MASSEY FERGUSON**MF 3690 TRACTOR - 1637223****1637223****TRACTOR CAB-ELECTRICAL WIRING - UP TO A174030 (SPEEDSHIFT) OR A107031 (DYNASHIFT)****327**

Item	Part Number	Qty	Description	Comments
				UP TO A174030 (SPEEDSHIFT) OR A107031 (DYNASHIFT)
1	3583252M3	1	Harness	
2	1048302M1	1	Bulb 12v 3w	
3	391244X1	1	Bolt Metric	
4	3583310M2	2	Bridle	
5	391074X1	1	Screw Metric	
6	3583308M91	1	Bridle	
7	3699579M1	X	Clip	
8	3760697M1	X	Clip	
9	3583345M1	1	Strap	

1-AU16-114

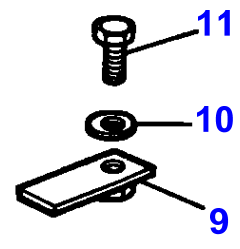
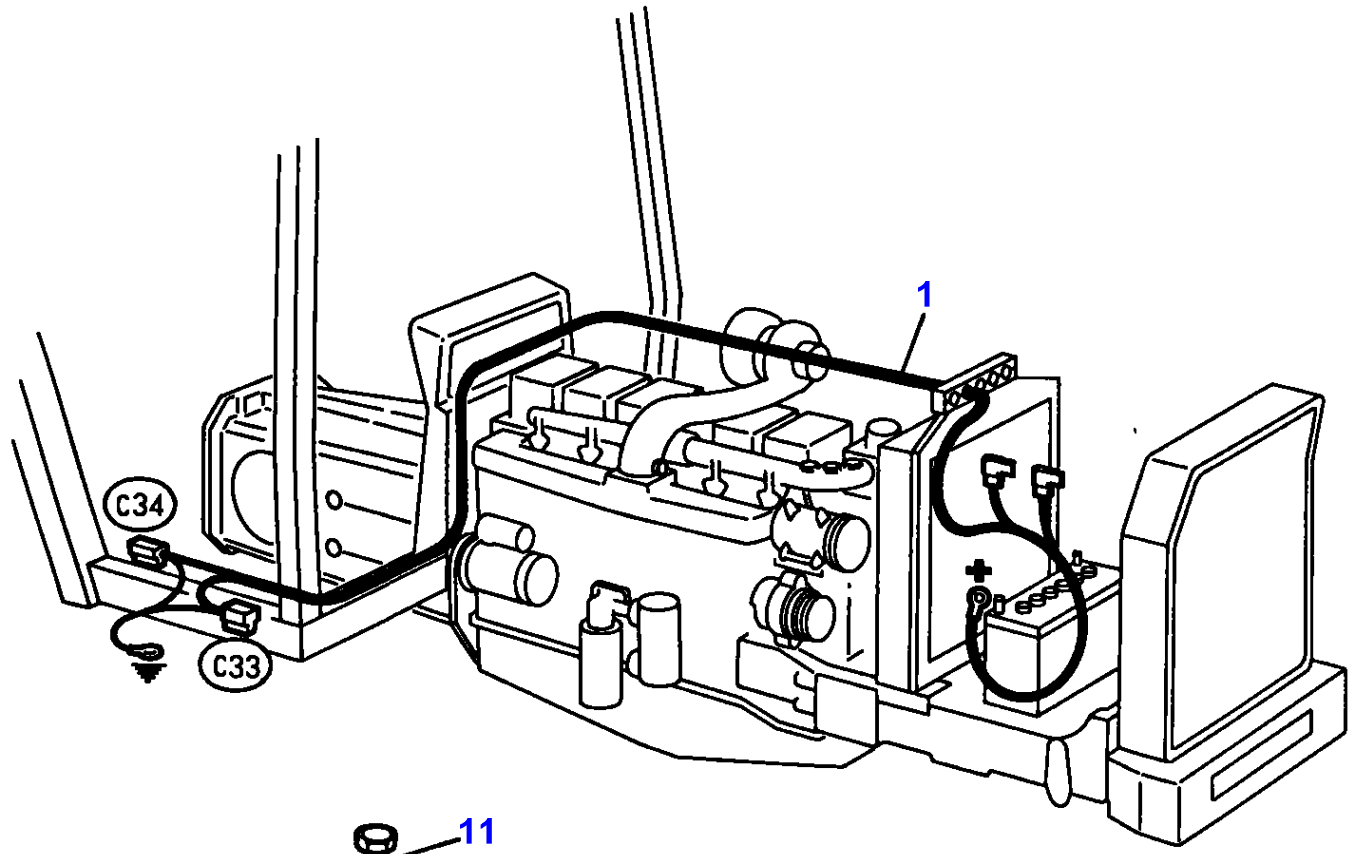
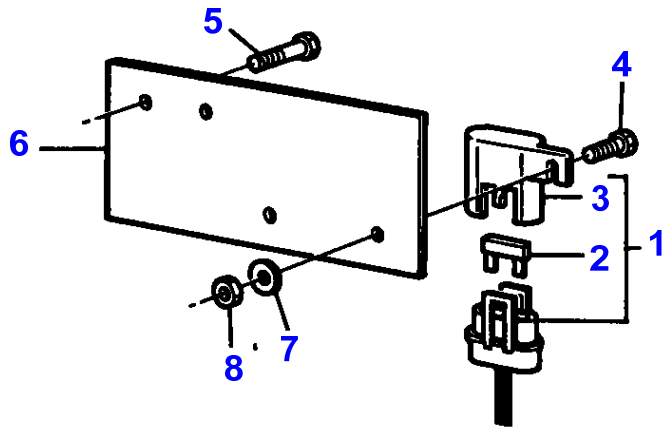


MASSEY FERGUSON**MF 3690 TRACTOR - 1637223****1637223****TRACTOR CAB-ELECTRICAL WIRING - FROM A174031 (SPEEDSHIFT) OR A107032 (DYNASHIFT)****328**

Item	Part Number	Qty	Description	Comments
				FROM A174031 (SPEEDSHIFT) OR A107032 (DYNASHIFT)
1	3618032M4	1	Harness	
2	1048302M1	1	Bulb 12v 3w	
3	391244X1	1	Bolt Metric	
4	3583310M2	2	Bridle	
5	391074X1	1	Screw Metric	
6	3583308M91	1	Bridle	
7	3699579M1	X	Clip	
8	3760697M1	X	Clip	Diameter 8MM
	3582094M1	2	Tie	Diameter 13MM
9	3583345M1	1	Strap	

[A]
FORESTRY CAB

1-AU16-034



MASSEY FERGUSON**MF 3690 TRACTOR - 1637223**

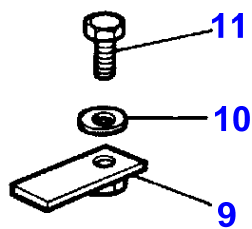
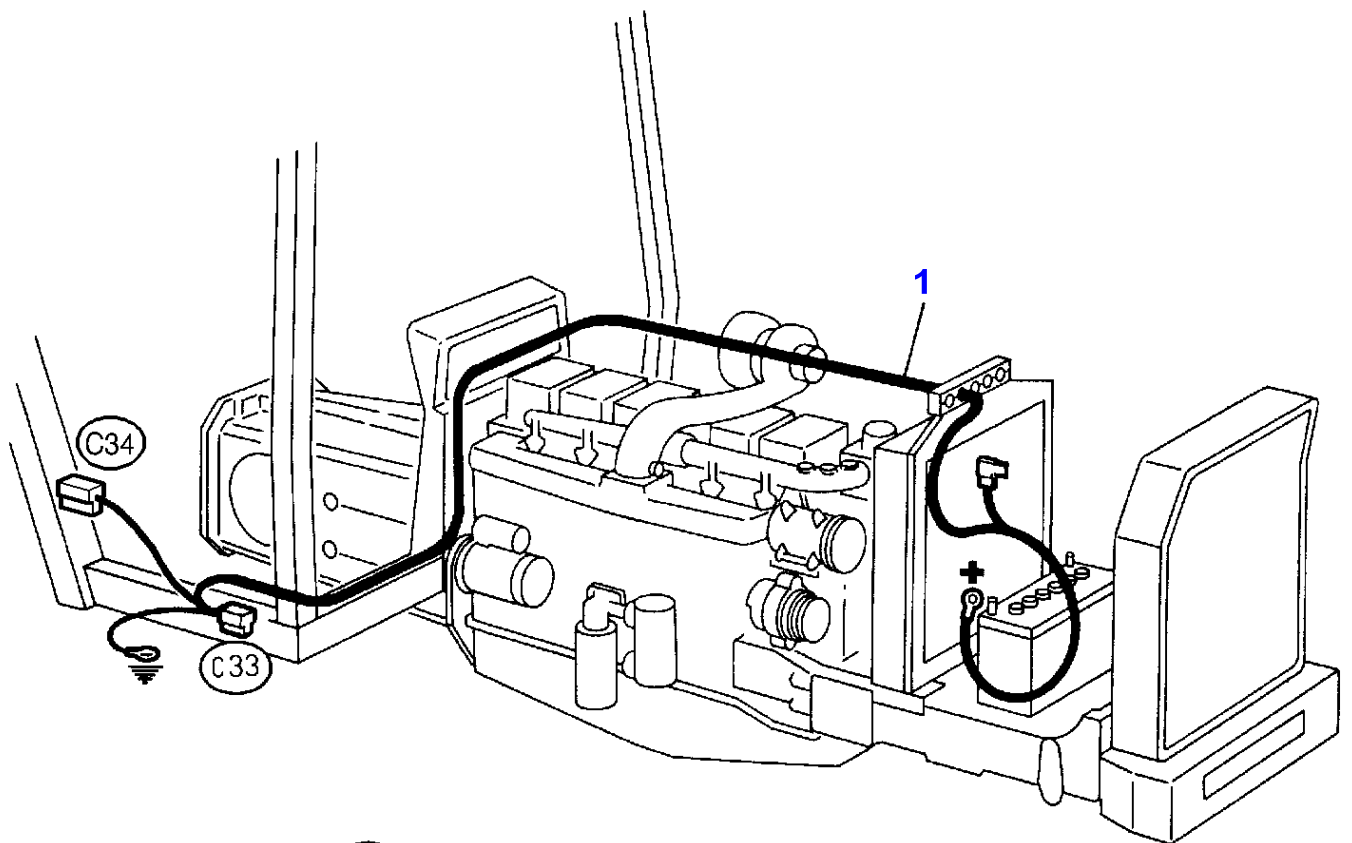
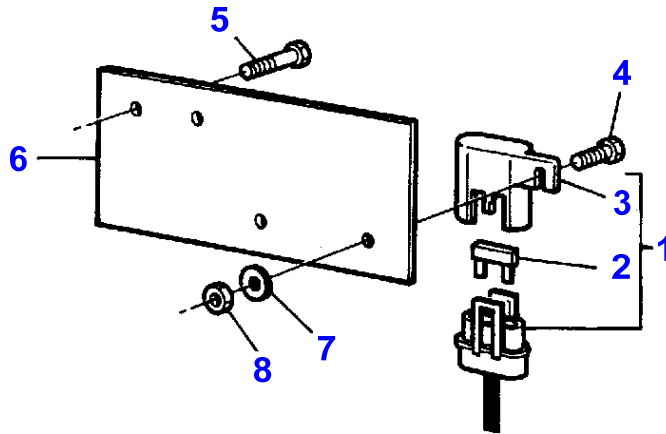
1637223

329

TRACTOR CAB-ELECTRICAL WIRING

Item	Part Number	Qty	Description	Comments
1	3583262M91	1	Harness	
2	1695939M1	1	Fuse	(1) 10 AMP.
2	3387319M1	1	Fuse	(1) 7,5 AMP.
3	3600224M1	1	Cover	(1)
4	390990X1	2	Screw Metric	M5X12
	360369X1	2	Self Tap Screws	
5	339124X1	2	Screw Metric	
6	3582018M1	1	Support	
7	339381X1	2	Lock Washer	
8	390995X1	2	Nut Metric	
9	3583301M91	1	Strap	
10	339375X1	1	Lock Washer	
11	391074X1	1	Screw Metric	

1-AU16-120



MASSEY FERGUSON**MF 3690 TRACTOR - 1637223**

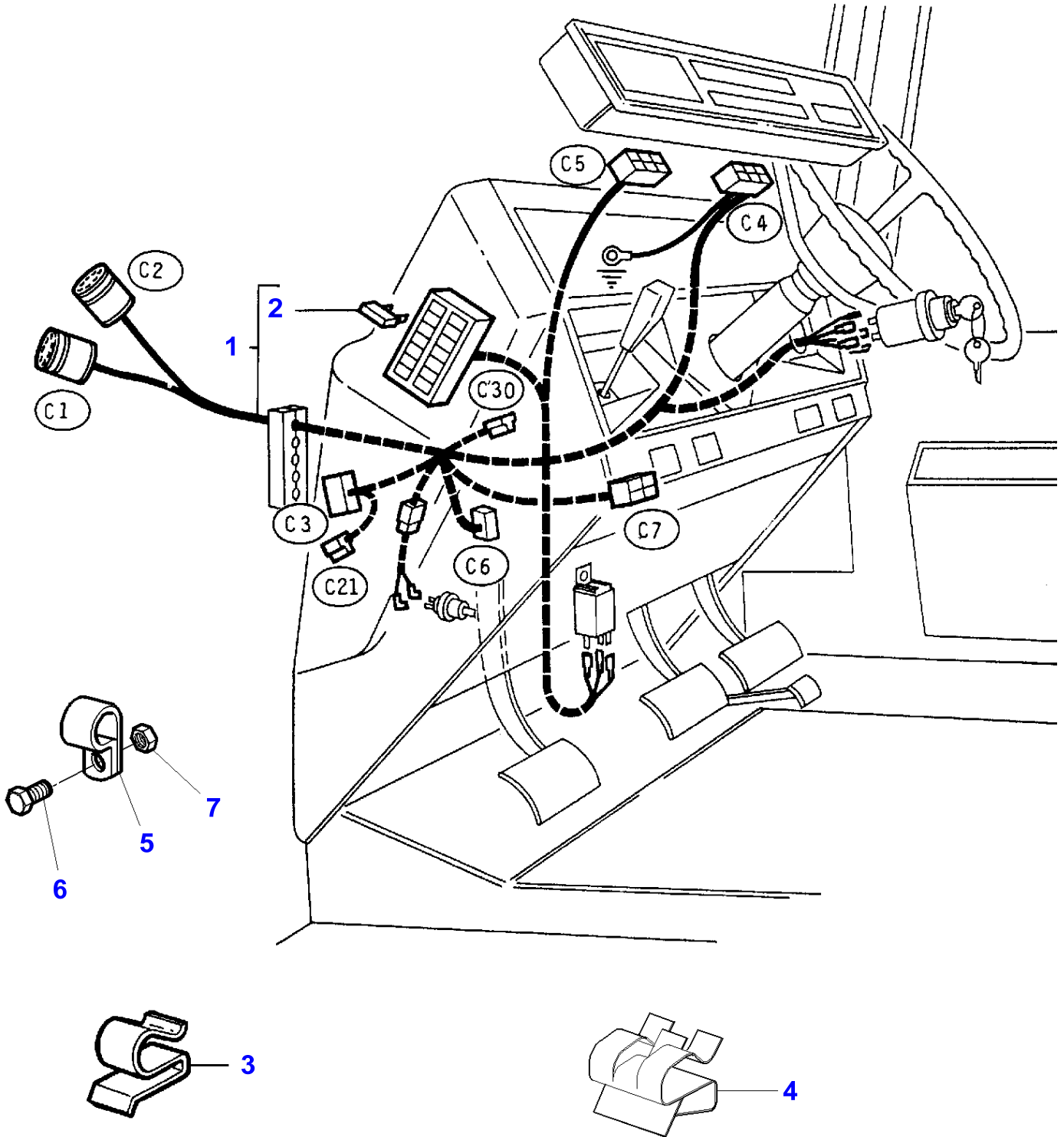
1637223

330

TRACTOR CAB-ELECTRICAL WIRING

Item	Part Number	Qty	Description	Comments
1	3583335M92	1	Harness	
2	1695939M1	1	Fuse	(1) 10 AMP.
2	3387319M1	1	Fuse	(1) 7,5 AMP.
3	3600224M1	1	Cover	(1)
4	390990X1	2	Screw Metric	M5X12
	360369X1	1	Self Tap Screws	
5	339124X1	2	Screw Metric	
6	3582018M1	1	Support	
7	339381X1	1	Lock Washer	
8	390995X1	1	Nut Metric	
9	3583301M91	1	Strap	
10	339375X1	1	Lock Washer	
11	391074X1	1	Screw Metric	

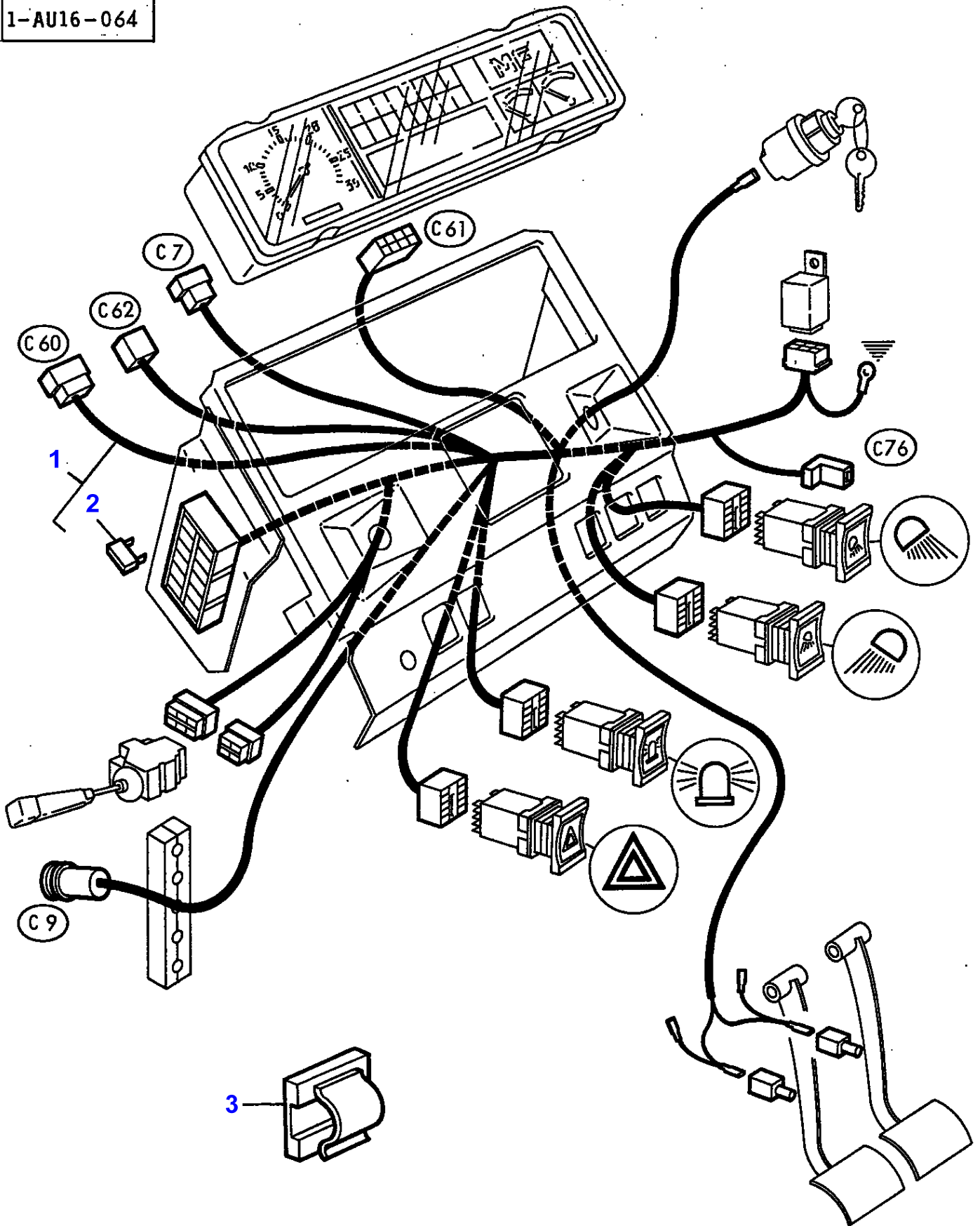
1-AU16-147



TRACTOR CAB-ELECTRICAL WIRING - INSTRUMENT PANEL WITHOUT ETHER STARTING

Item	Part Number	Qty	Description	Comments
				INSTRUMENT PANEL WITHOUT ETHER STARTING
1	3616117M95	1	Harness	[A]
	3583770M96	1	Harness	Repairs and replaces 3583241M92
2	3620023M1	X	Fuse	(1) 5 AMP
2	3387319M1	X	Fuse	(1) 7,5 AMP
2	1695939M1	X	Fuse	(1) 10 AMP
2	1695966M1	X	Fuse	(1) 15 AMP 3387321M1
2	3620027M1	X	Fuse	(1) 25 AMP
3	3582525M1	1	Tie	
4	3618680M1	1	Fastener	From Serial or Engine Number A191016
5	3387756M1	1	Strap	From Serial or Engine Number C250008
6	339123X1	1	Screw Metric	From Serial or Engine Number C250008 M8X20
7	339169X1	1	Nut Metric	From Serial or Engine Number C250008
				[A] AUSTRIA

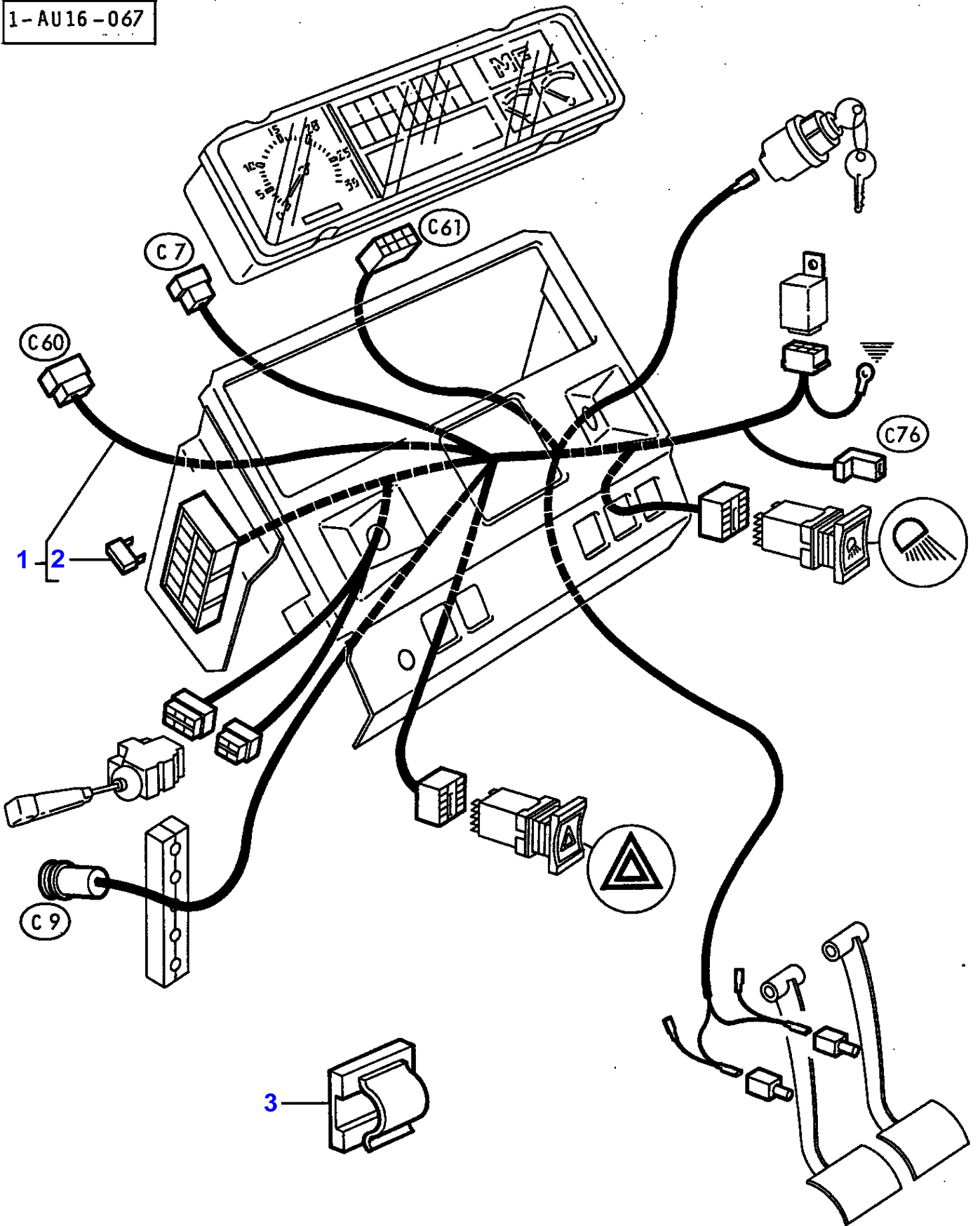
1-AU16-064



MASSEY FERGUSON**MF 3690 TRACTOR - 1637223****1637223****TRACTOR CAB-ELECTRICAL WIRING - INSTRUMENT PANEL LIGHTING****332**

Item	Part Number	Qty	Description	Comments
				INSTRUMENT PANEL LIGHTING
1	3583289M93	1	Harness	
2	3387319M1	4	Fuse	(1) 7,5A
2	1695939M1	2	Fuse	(1) 10A
2	1695966M1	5	Fuse	(1) 15A
3	3582094M1	2	Tie	

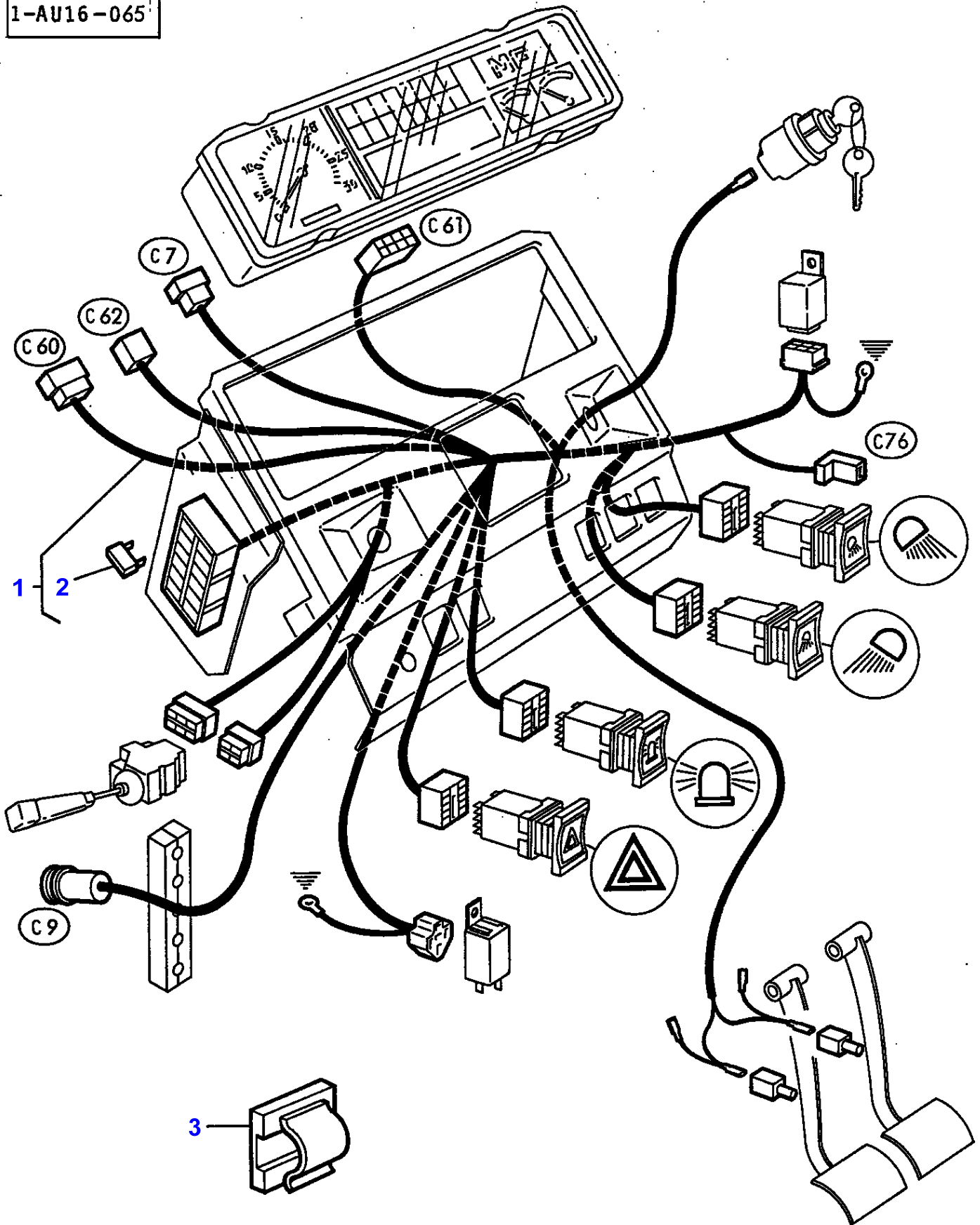
1-AU16-067



MASSEY FERGUSON**MF 3690 TRACTOR - 1637223****1637223****TRACTOR CAB-ELECTRICAL WIRING - INSTRUMENT PANEL LIGHTING - PLATFORM WITHOUT PILLAR****333**

Item	Part Number	Qty	Description	Comments
				INSTRUMENT PANEL LIGHTING - PLATFORM WITHOUT PILLAR
1	3583295M93	1	Harness	
2	3387319M1	3	Fuse	(1) 7,5A
2	1695939M1	2	Fuse	(1) 10A
2	1695966M1	4	Fuse	(1) 15A 3387321M1
3	3582094M1	2	Tie	

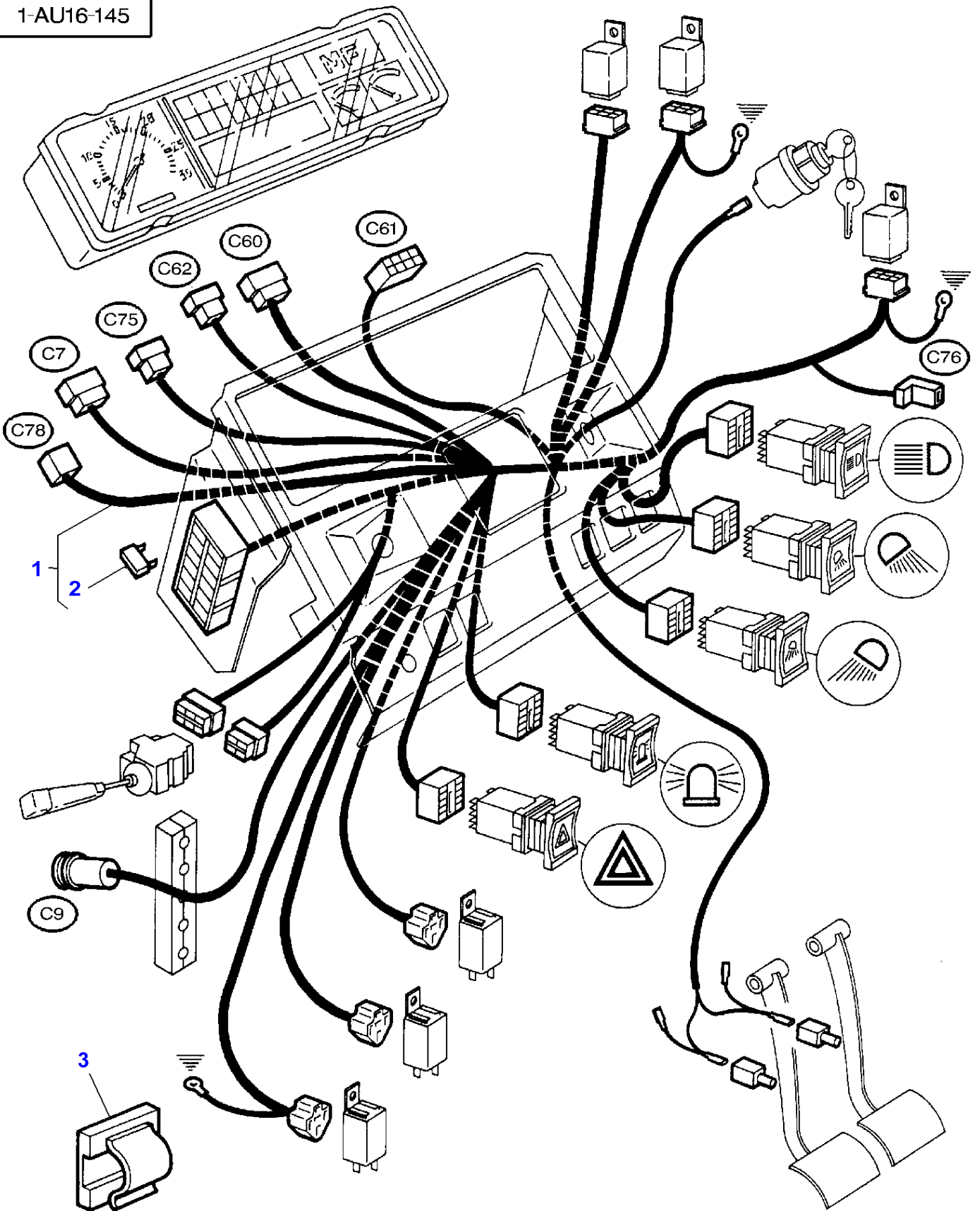
1-AU16-065



MASSEY FERGUSON**MF 3690 TRACTOR - 1637223****1637223****TRACTOR CAB-ELECTRICAL WIRING - INSTRUMENT PANEL LIGHTING GERMANY****334**

Item	Part Number	Qty	Description	Comments
				INSTRUMENT PANEL LIGHTING GERMANY
1	3583291M93	1	Harness	
2	3387319M1	4	Fuse	(1) 7,5A
2	1695939M1	2	Fuse	(1) 10A
2	1695966M1	5	Fuse	(1) 15A 3387321M1
3	3582094M1	2	Tie	

1-AU16-145



MASSEY FERGUSON**MF 3690 TRACTOR - 1637223**

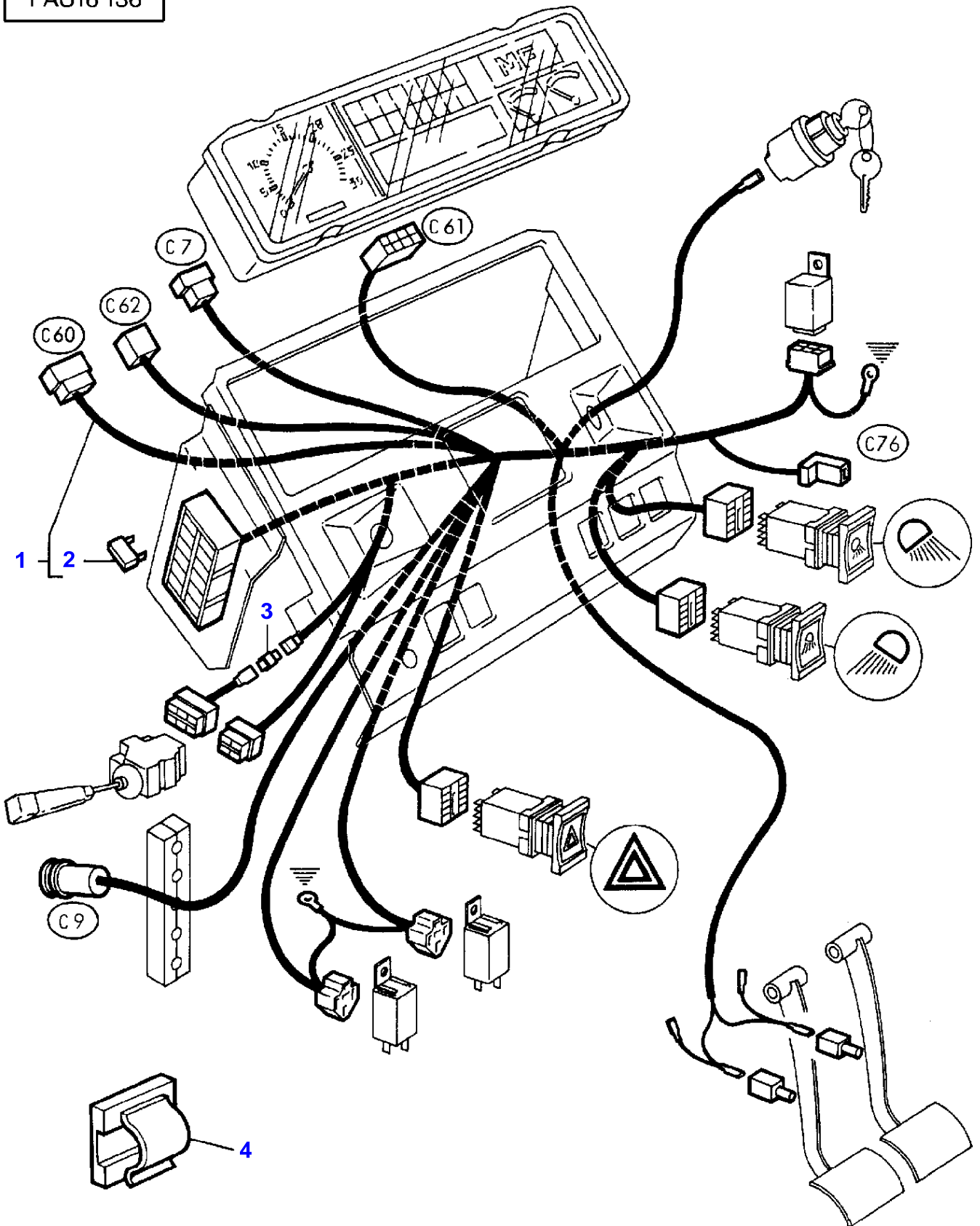
1637223

TRACTOR CAB-ELECTRICAL WIRING - INSTRUMENT PANEL LIGHTING AUSTRIA

335

Item	Part Number	Qty	Description	Comments
				INSTRUMENT PANEL LIGHTING AUSTRIA
1	3619244M92	1	Harness	
2	3387319M1	4	Fuse	(1) 7,5A
2	1695939M1	2	Fuse	(1) 10A
2	1695966M1	3	Fuse	(1) 15A 3387321M1
2	3620027M1	2	Fuse	(1) 25A
3	3582094M1	2	Tie	

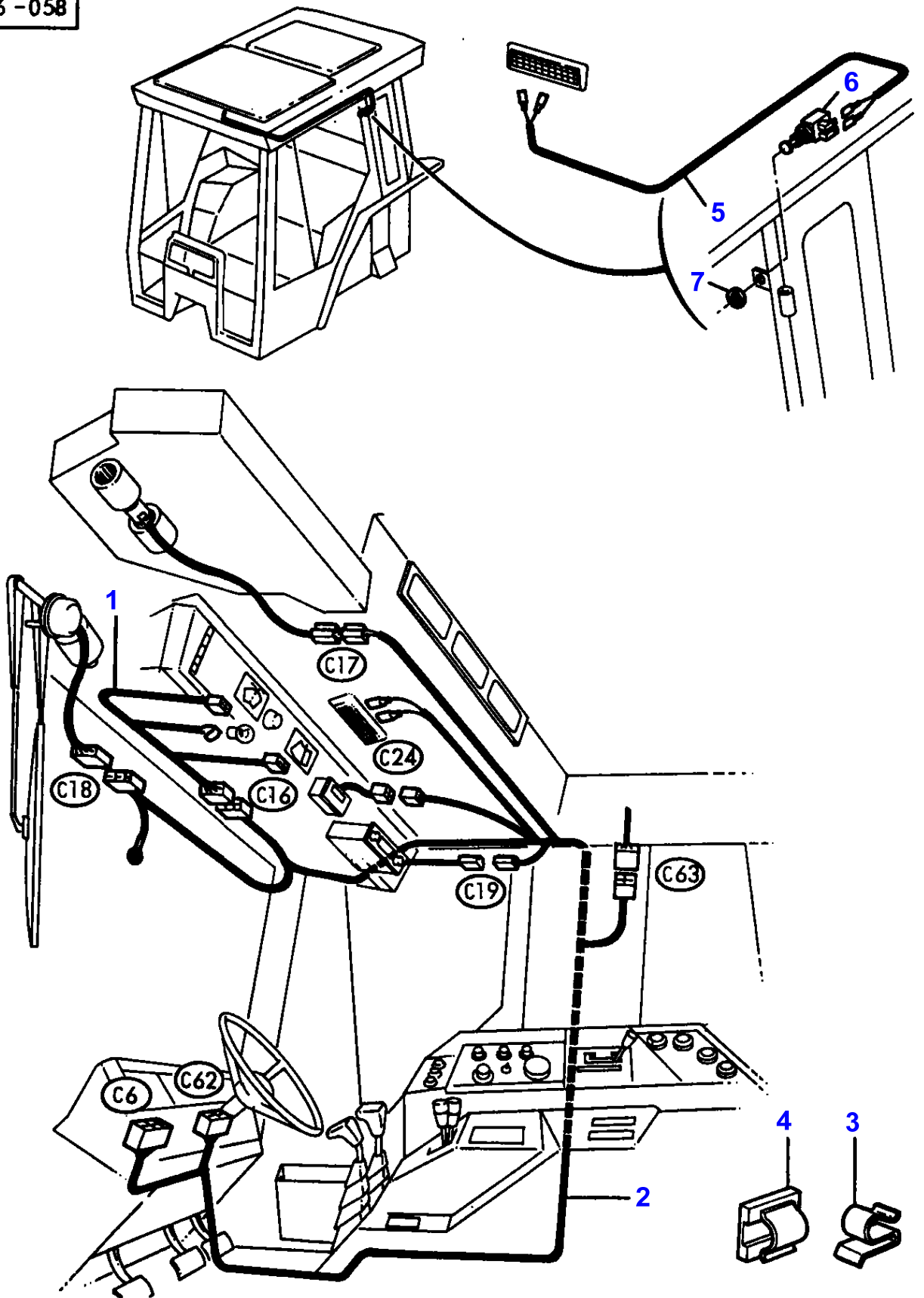
1-AU16-136



MASSEY FERGUSON**MF 3690 TRACTOR - 1637223****1637223****TRACTOR CAB-ELECTRICAL WIRING - INSTRUMENT PANEL LIGHTING USA****336**

Item	Part Number	Qty	Description	Comments
				INSTRUMENT PANEL LIGHTING USA
1	3583293M93	1	Harness	
2	3387319M1	3	Fuse	(1) 7,5 AMP.
2	1695939M1	1	Fuse	(1) 10 AMP.
2	1695966M1	1	Fuse	(1) 15 AMP. 3387321M1
3	3615548M1	1	Diode	(1)
4	3582094M1	1	Tie	

1-AU16-058



MASSEY FERGUSON**MF 3690 TRACTOR - 1637223**

1637223

337

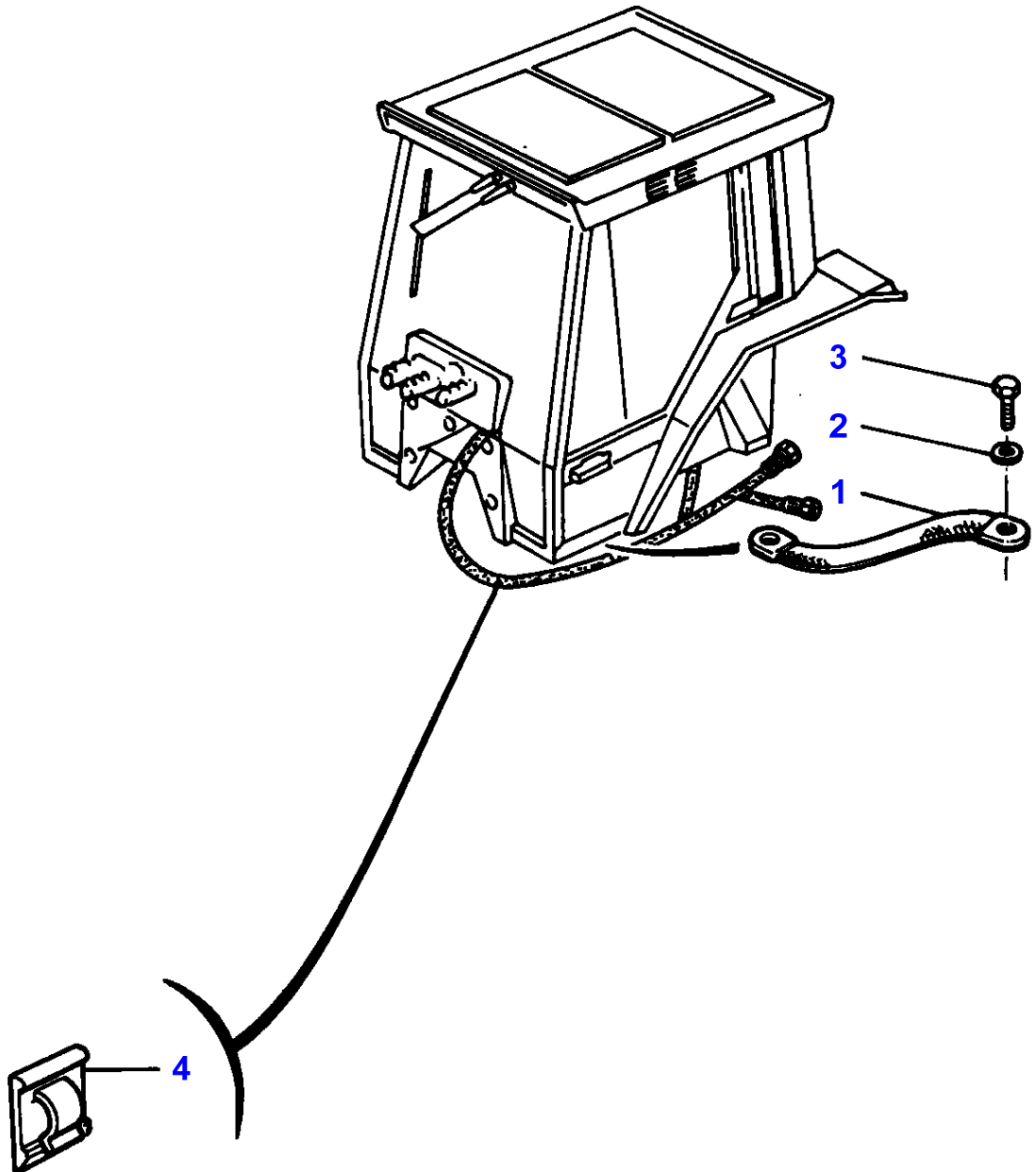
TRACTOR CAB-ELECTRICAL WIRING

Item	Part Number	Qty	Description	Comments
1	3583254M2	1	Harness	
2	3583253M4	1	Harness	
	3616118M2	1	Harness	[A,B]
3	3699579M1	X	Clip	
4	3760697M1	X	Clip	
5	3615413M1	1	Harness	
6	3380073M1	1	Switch,Indirect	
7	390333X1	1	Nut Metric	

[A]
FOR JAPANESE MARKET ONLY

[B]
AUSTRIA

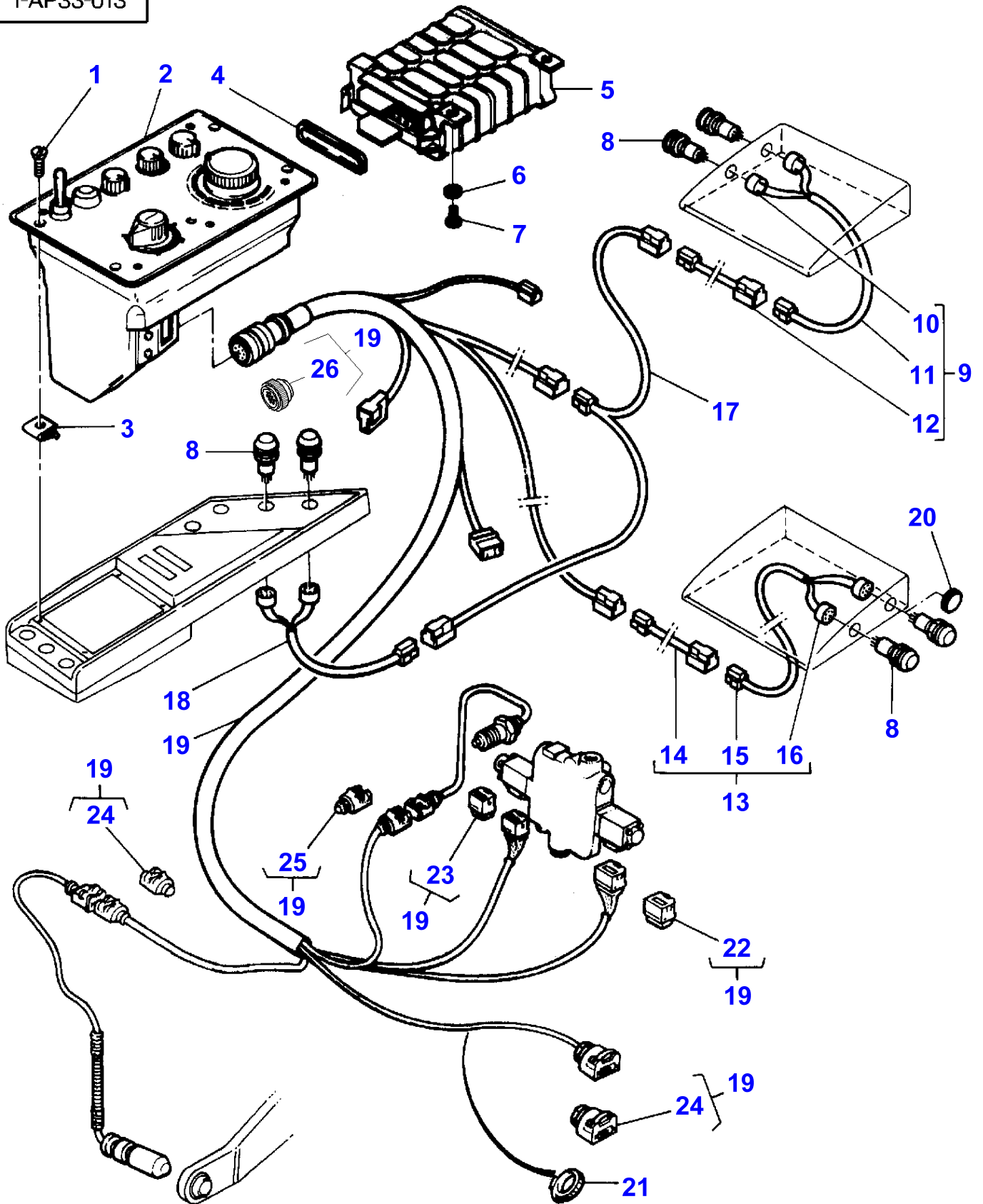
1-AU16-052



MASSEY FERGUSON**MF 3690 TRACTOR - 1637223****1637223****TRACTOR CAB-ELECTRICAL WIRING****338**

Item	Part Number	Qty	Description	Comments
1	1625401M2	1	Cable	
2	339374X1	1	Lock Washer	
	385362X1	1	Washer Metric	
3	339123X1	1	Screw Metric	M8X20
4	3760697M1	1	Clip	

1-AP33-013



ELECTRONIC LIFT-MAIN HARNESS

Item	Part Number	Qty	Description	Comments
1	3389280M1	4	Screw	
2		1	Electron Console	See Page - Reference Number 340/
		1	Electron Console	[F] See Page - Reference Number 341/
3	3580062M1	4	Nut	
4	3387221M1	1	Joint	
5	3383891M3	1	Calculator	
6	339102X1	3	Washer Metric	
7	365914X1	3	Self Tap Screws	
8	3388402M1	X	Switch,Indirect	
9	3615826M91	1	Harness	Right Hand
10	3384957M1	2	Connectors	(9)
11	3615830M1	1	Harness	(9)
12	3615828M1	1	Harness	(9)
13	3615827M91	1	Harness	Left Hand
14	3615829M1	1	Harness	(13)
15	3615830M1	1	Harness	(13)
16	3384957M1	2	Connectors	(13)
17	3615649M1	1	Harness	[B]
18	3615830M1	1	Harness	[B]
19	3580272M93	1	Elect.Lift Cable	
20	3380422M2	X	Plug	[A]
21	3619622M1	22	Tie	
22	3385546M1	1	Connectors	[E] (19)
23	3385545M1	1	Connectors	[C] (19)
24	3385534M1	2	Connectors	[D] (19)
25	3385535M1	1	Connectors	[C] (19)
26	3386212M1	1	Intake	(19)

[A]
WITHOUT HYDRAULIC LIFT

[B]
FOR INTERNAL CONTROL

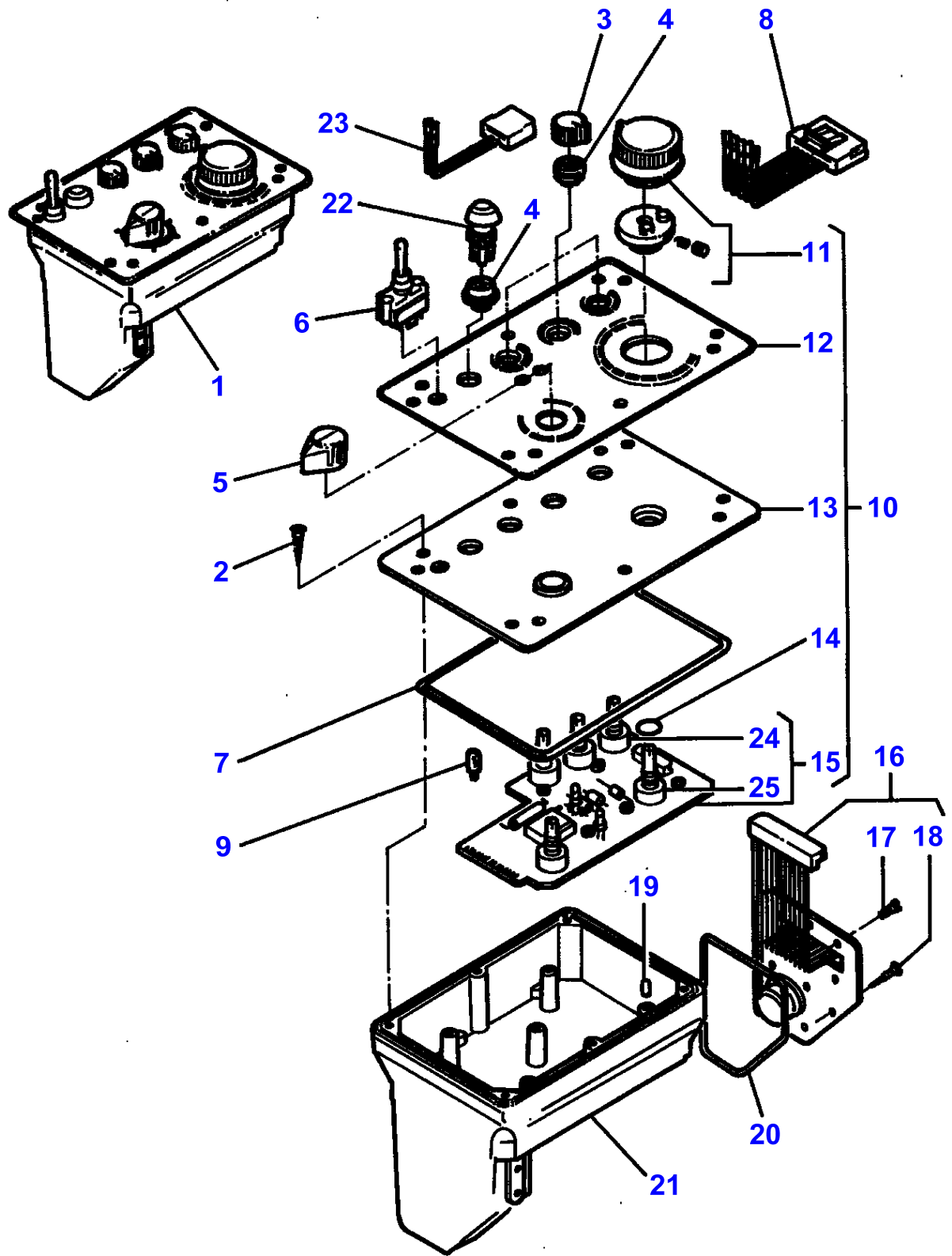
[C]
BLACK

[D]
WHITE

[E]
YELLOW

[F]
DUAL CONTROL

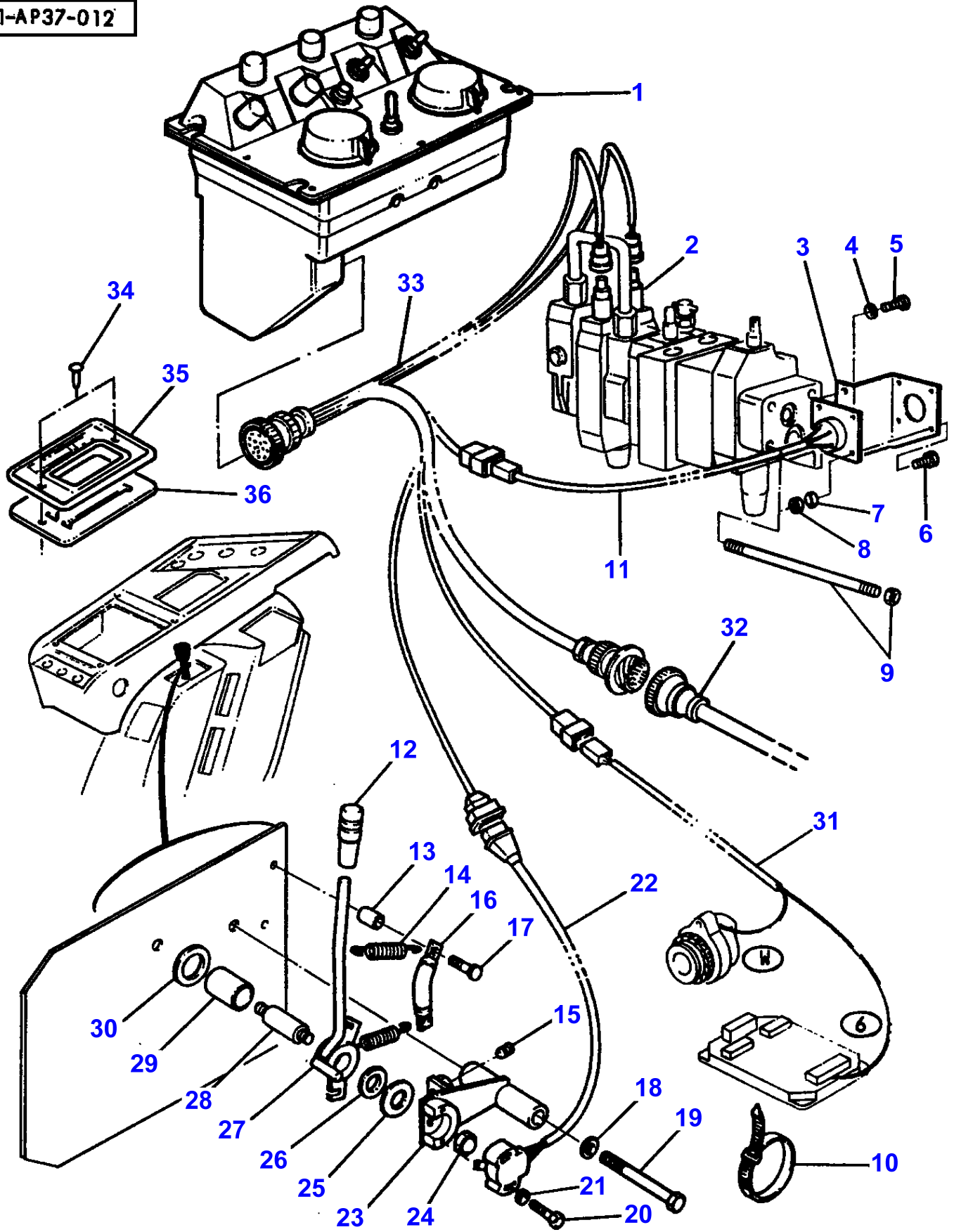
1-AP37-006



ELECTRONIC LIFT-CONSOLE

Item	Part Number	Qty	Description	Comments
1	3617403M93	1	Electron Console	
2	3388371M1	6	Self Tap Screws	(1)
3	3388347M91	3	Button	(1)
4	3388372M1	4	Dust Shield	(1)
5	3616863M91	1	Button	(1)
6	3388348M93	1	Switch	(1)
7	3388349M1	1	O Ring	(1)
8	3388357M1	1	Harness	(1)
				Up to Serial or Engine Number
9	3405185M1	6	Bulb 12v 1.2w	(1)
10	3616862M92	1	Plate Clamping	(1)
11	3615671M91	1	Draftcontrolknob	(10)
12	3616870M1	1	Decal	(10)
13		1	Plate	(10)
				Not serviced, order REF NO10
14		6	O Ring	(10)
				Not serviced, order REF NO10
15		1	Printed Circuit	(10)
				Not serviced, order REF NO10
16	3617409M1	1	Electrical Plug	(1)
17	365909X1	2	Self Tap Screws	(16)
18	3005678X1	1	Self Tap Screws	(16)
19	3389315M1	5	Dowel	(1)
20	3388350M1	1	O Ring	(1)
21		1	Case Assy	(1)
				Not serviced, order REF NO1
22	3617600M1	1	Button	
23	3617459M1	1	Harness	
24	3580997M1	4	Potentiometer	(15)
				Length 25MM
25	3580998M1	1	Potentiometer	(15)
				Length 36MM
26		1	Hub	(10)
				Not serviced, order REF.10

1-AP37-012



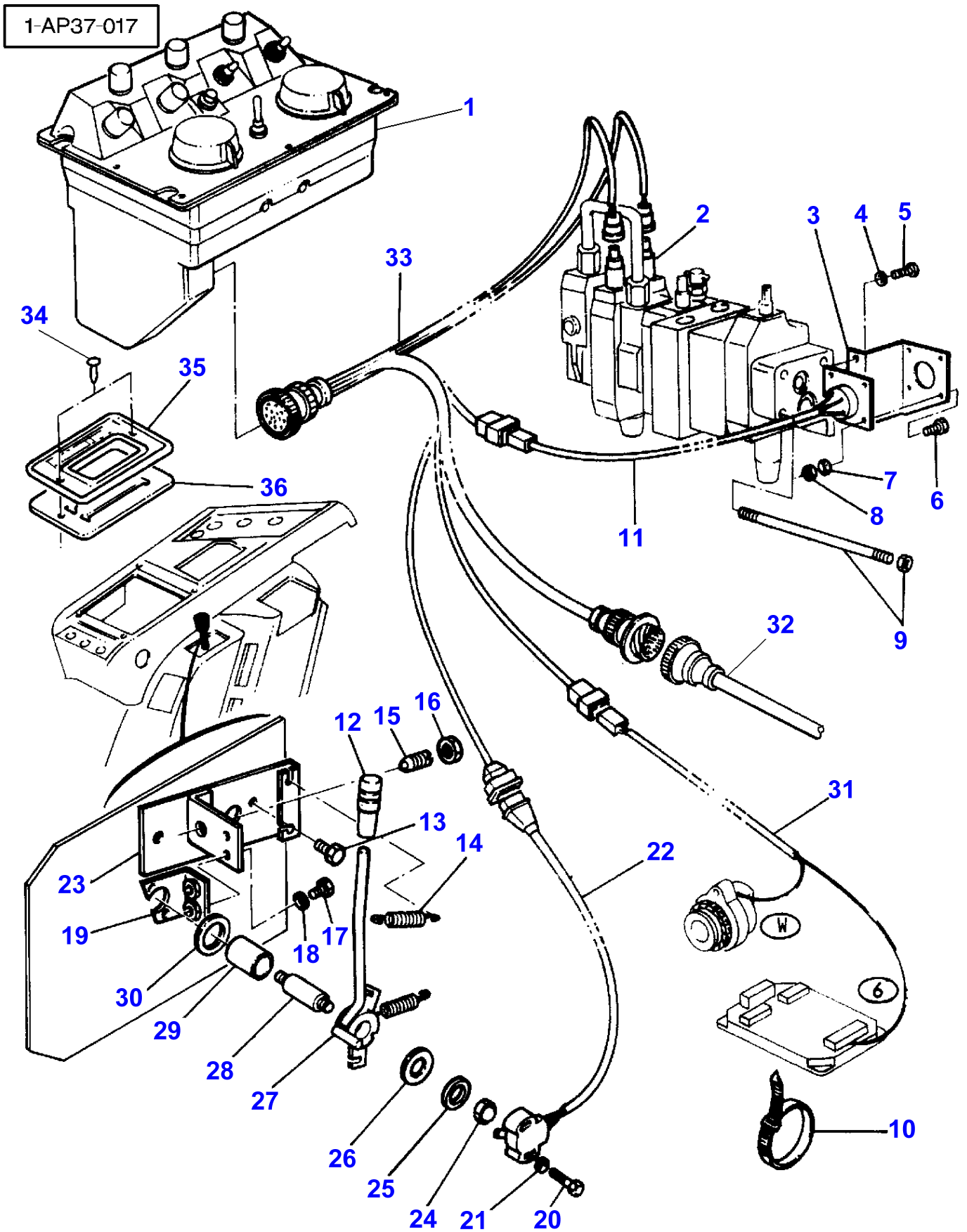
ELECTRONIC LIFT-CONSOLE - DUAL CONTROL UP TO B253025

Item	Part Number	Qty	Description	Comments
				DUAL CONTROL UP TO B253025
1		1	Electron Console	See Page - Reference Number 343/
2	3618063M91	1	Distributor	[B,C] See Page - Reference Number 292/
2	3618064M91	1	Distributor	[A,C] See Page - Reference Number 292/ REXROTH 3 DISTR.
3	3617846M1	1	Support	
4	390972X1	2	Washer Metric	
5	339228X1	2	Screw Metric	Diameter M8X12
6	3001162X1	4	Screw	Diameter M4X16
7	339102X1	4	Washer Metric	
8	1443615X1	4	Nut Metric	Diameter M4
9		4	Draglink	See Page - Reference Number 292/1
10	3619622M1	15	Tie	
11	3617813M1	1	Harness	
12	3387529M2	1	Handle	
13	3581105M1	2	Insert	
14	3616740M2	2	Spring	
15	3617828M1	1	Poppet	
16	3617831M1	1	Stem	
17	339804X1	2	Screw Metric	Diameter M6X25
18	390972X1	1	Washer Metric	Diameter 8
19	339136X1	1	Bolt	Diameter M8X90
20	391883X1	2	Screw	Diameter M5X25
21	3019560X1	2	Washer	
22	3617833M2	1	Inductive Taker	
23	3617834M91	1	Support	
24	1441461X1	1	Nut Metric	
25	3387447M1	1	Washer	
26	3617845M1	1	Washer	
27	3617832M91	1	Lever	
28	3617843M1	1	Clevis Pin	
29	3386515M1	1	Bearing	
30	3386514M1	2	Friction Disc	
31	3617858M1	1	Harness	Up to Serial or Engine Number
	3619836M1	1	Harness	From Serial or Engine Number
32		1	Elect.Lift Cable	See Page - Reference Number 339/1
33	3617801M2	1	Harness	
34	3616374M1	4	Rivet	
35	3615818M1	1	Cover	
36	3615896M1	1	Dust Shield	

[A]
FOR DUAL PUMP

[B]
FOR SINGLE PUMP

[C]
THREE DISTRIBUTORS



ELECTRONIC LIFT-CONSOLE - DUAL CONTROL FROM B253026

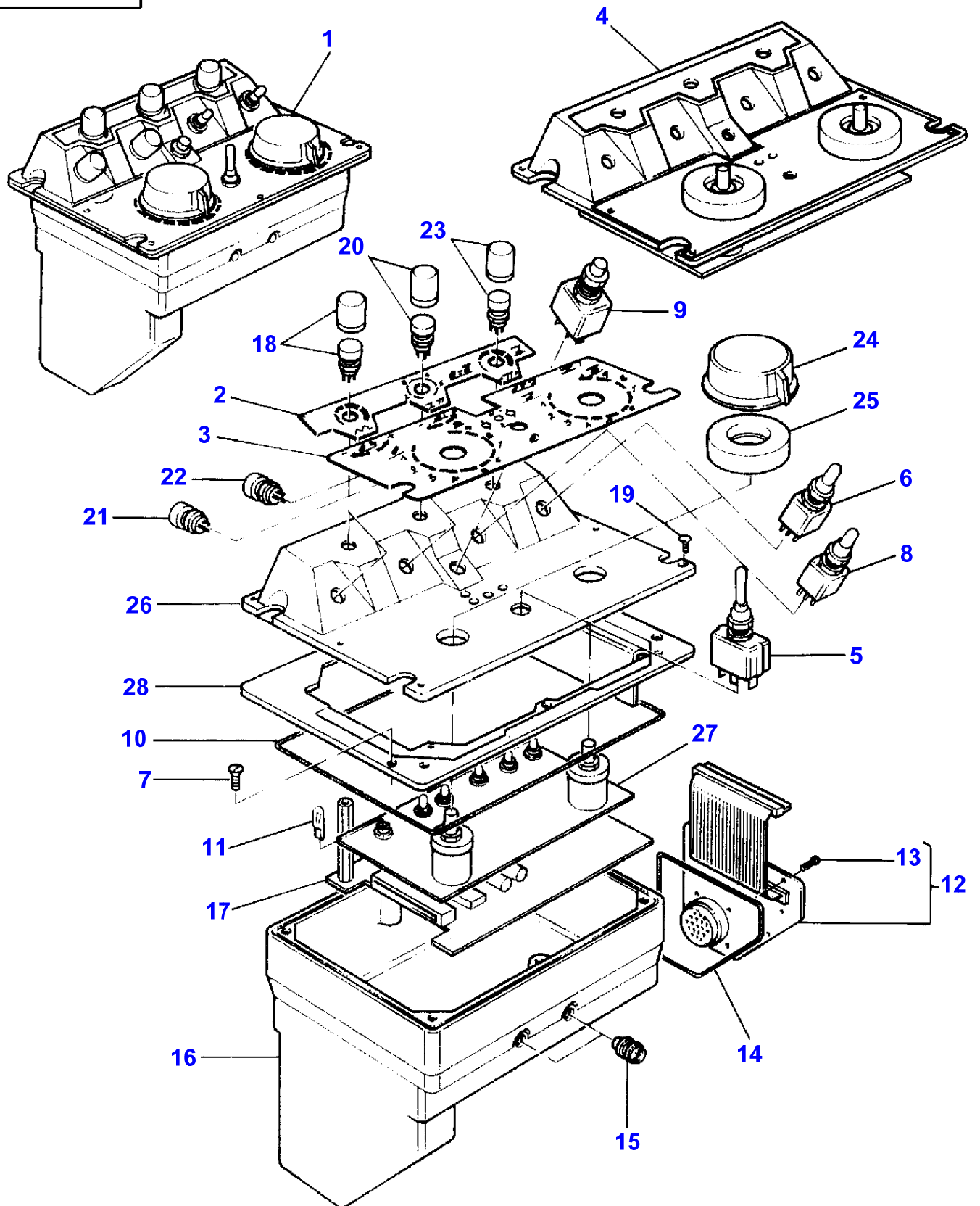
Item	Part Number	Qty	Description	Comments
				DUAL CONTROL FROM B253026
1		1	Electron Console	See Page - Reference Number 343/
2	3618063M91	1	Distributor	[B,C] See Page - Reference Number 292/ REXROTH 3 DISTR.
2	3618064M91	1	Distributor	[A,C] See Page - Reference Number 292/ REXROTH 3 DISTR.
3	3617846M1	1	Support	
4	390972X1	2	Washer Metric	
5	339228X1	2	Screw Metric	Diameter M8X12
6	3001162X1	4	Screw	Diameter M4X16
7	339102X1	4	Washer Metric	Diameter 4
8	1443615X1	4	Nut Metric	Diameter M4
9		4	Draglink	See Page - Reference Number 292/1
10	3619622M1	15	Tie	
11	3617813M1	1	Harness	
12	3387529M2	1	Handle	
13	391074X1	2	Screw Metric	M6X12
14	3616740M2	2	Spring	
15	3618127M2	1	Poppet	Diameter 12
16	339186X1	1	Nut Metric	M12
17	1442171X1	2	Screw	M4X10
18	339102X1	2	Washer Metric	Diameter 4
19	3618130M91	1	Plate	
20	3009534X1	1	Screw Metric	M4X25
21	3001856X1	1	Washer Metric	Diameter 4
22	3617833M2	1	Inductive Taker	
23	3618132M91	1	Support	
24	1441461X1	1	Nut Metric	
25	390972X1	1	Washer Metric	Diameter 8
26	3387447M1	1	Washer	
27	3618124M91	1	Lever	
28	3618128M1	1	Clevis Pin	
29	3386515M1	1	Bearing	
30	3386514M1	2	Friction Disc	
31	3617858M1	1	Harness	Up to Serial or Engine Number
	3619836M1	1	Harness	From Serial or Engine Number
32		1	Elect.Lift Cable	See Page - Reference Number 339/1
33	3617801M2	1	Harness	
34	3616374M1	2	Rivet	
35	3615818M1	1	Cover	
36	3615896M1	1	Dust Shield	

[A]
FOR DUAL PUMP

[B]
FOR SINGLE PUMP

[C]
THREE DISTRIBUTORS

1-AP37-022



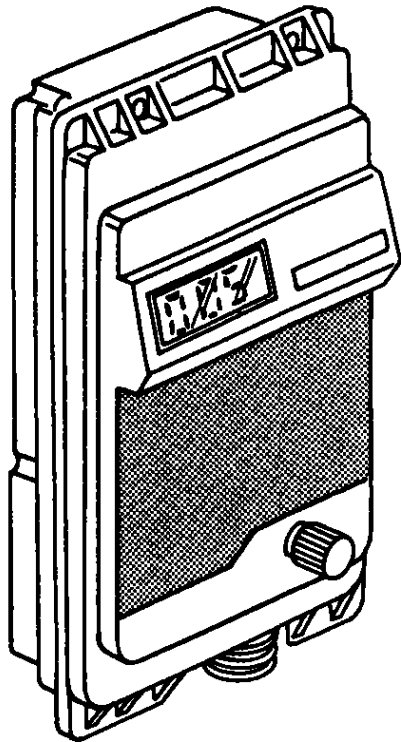
ELECTRONIC LIFT-CONSOLE - DUAL CONTROL FROM B253026

Item	Part Number	Qty	Description	Comments
				DUAL CONTROL FROM B253026
1	3617773M93	1	Electron Console	
2	3617775M1	1	Decal	
3	3617776M1	1	Decal	
4	3617774M1	1	Plate Clamping	
5	3617783M2	1	Switch	(1)
6	3617788M2	1	Switch	(1)
7	3388371M1	6	Self Tap Screws	(1)
8	3617787M1	1	Switch	(1)
9	3617782M1	1	Switch	(1)
10	3388349M1	1	O Ring	(1)
11	3617814M1	6	Support	(1)
12	3617780M1	1	Plate	(1)
13	365909X1	7	Self Tap Screws	(12)
14	3388350M1	1	O Ring	(1)
15	3617789M1	2	Adjusting Screw	(1)
16		1	Case Assy	(1)
				Not serviced, order REF N0 1
17	3617791M2	1	Regulator	(1)
18	3617781M2	2	Potentiometer	(1)
19	3010195X1	10	Screw	(1)
				Up to Serial or Engine Number
19	3010195X1	10	Screw	(1)
				From Serial or Engine Number
				M3X16
20	3617811M1	2	Potentiometer	(1)
21	3617784M1	1	Potentiometer	(1)
22	3617785M1	1	Potentiometer	(1)
23	3617786M1	1	Potentiometer	(1)
24	3615671M91	2	Draftcontrolknob	(1)
25		2	Button	(4)
				Not serviced, order REF NO4
26		1	Case Assy	(4)
				Not serviced, order REF NO4
27		1	Printed Circuit	(4)
				Not serviced, order REF NO4
28	3617778M1	1	Plate Clamping	(1)

ABOARD COMPUTER

Item	Part Number	Qty	Description	Comments
1	3388670M1	1	Onboard Computer	
2	339160X1	4	Screw	
3		1	Computer Cable	See Page - Reference Number 346/
4	3389297M1	1	Switch	
5	3389284M1	1	Support	
6	3004514X1	2	Screw	
7	3389298M2	1	Tappet Plate	
8	339367X1	8	Screw Metric	
	391349X1	8	Rivet	Diameter 3,2MM
9	3389283M1	1	Electrical Plug	
10	391216X1	8	Nut Metric	
11	3389286M1	1	Support	
12	3476710M1	4	Lamp Socket	(1)
13	3405185M1	4	Bulb 12v 1.2w	(1)
14	3476712M1	6	Screw	(1)
15	3476711M1	2	Hd Torch Battery	(1) 3 VOLTS
16	3584067M1	1	Button	(1)
17	3584068M1	1	Decal	(1)
18	3389285M1	1	Plate	
19	3584045M91	1	Viewer	(1)
20	3581139M1	1	Harness	
21	3389622M1	1	Thimble	(20)
22	3615557M1	X	Boxnut	
23	3900383M1	1	Plug	(9)

1-AU32-003



1

- Vitesse Moteur
- Vitesse P D F
- Vitesse Avancement
- Fuel/Heure
- Fuel/Hectare
- Hectares/Heure
- Indicateur de Cout
- Taux de Patinage
- Patinage Admissible
- Largeur de Travail
- Surface Totale
- Fuel Total
- Autonomie
- Distance Totale
- Compteur
- Entretien

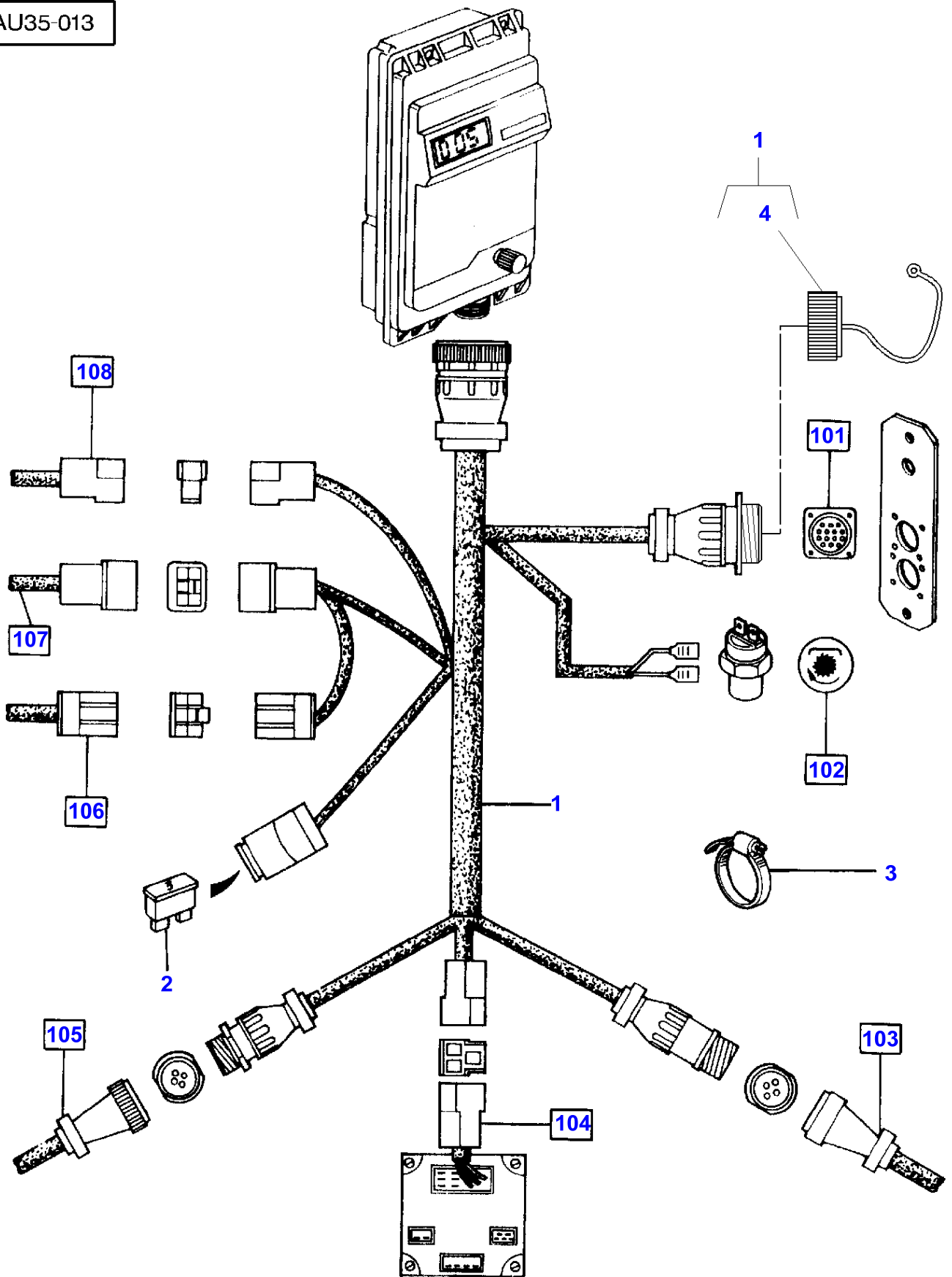
01

- Selection
- Position Travail
- Controle Patinage M/A
- Ctrl Patinage Actif

ABOARD COMPUTER-TRANSFERS - WITH TPM WITH FLOW FUEL

Item	Part Number	Qty	Description	Comments
				WITH TPM WITH FLOW FUEL
1	3389292M2	1	Decal	For UK only or any text in English only
	3580758M2	1	Decal	[B] For UK only or any text in English only
1	3389293M2	1	Decal	For Germany only or any text in German only
	3389294M2	1	Decal	For Italy only or any text in Italian only
	3389295M2	1	Decal	[A]
	3583044M2	1	Decal	For Norway
	3583045M2	1	Decal	[C]
	3583046M2	1	Decal	[D]
	3583047M2	1	Decal	For Sweden
				[A] SPAIN
				[B] METRIC
				[C] DENMARK
				[D] NEEDERLAND
				[E] FINLAND
				[F] JAPANESE

1-AU35-013



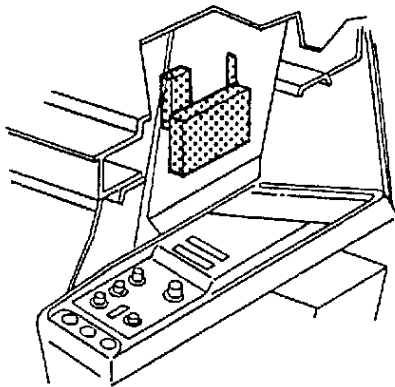
ABOARD COMPUTER-WIRING

Item	Part Number	Qty	Description	Comments
1	3580325M1	1	Computer Cable	
2	3620022M1	1	Fuse	(1) 3 AMP
3	3619622M1	2	Tie	
4	3900383M1	1	Plug	(1)
101		X	Electrical Plug	[A,B]
102		X	Switch,Indirect	[B] P.T.O
103		X	Flowmeter Cable	[B]
104		X	Electronic Box	[B]
105		X	Radar Cable	[B]
106		X	Elect.Lift Cable	[B]
107		X	Console	[B]
108		X	Elect.Lift Cable	[B]

[A]
REFER TO ACCESSORY BOOK

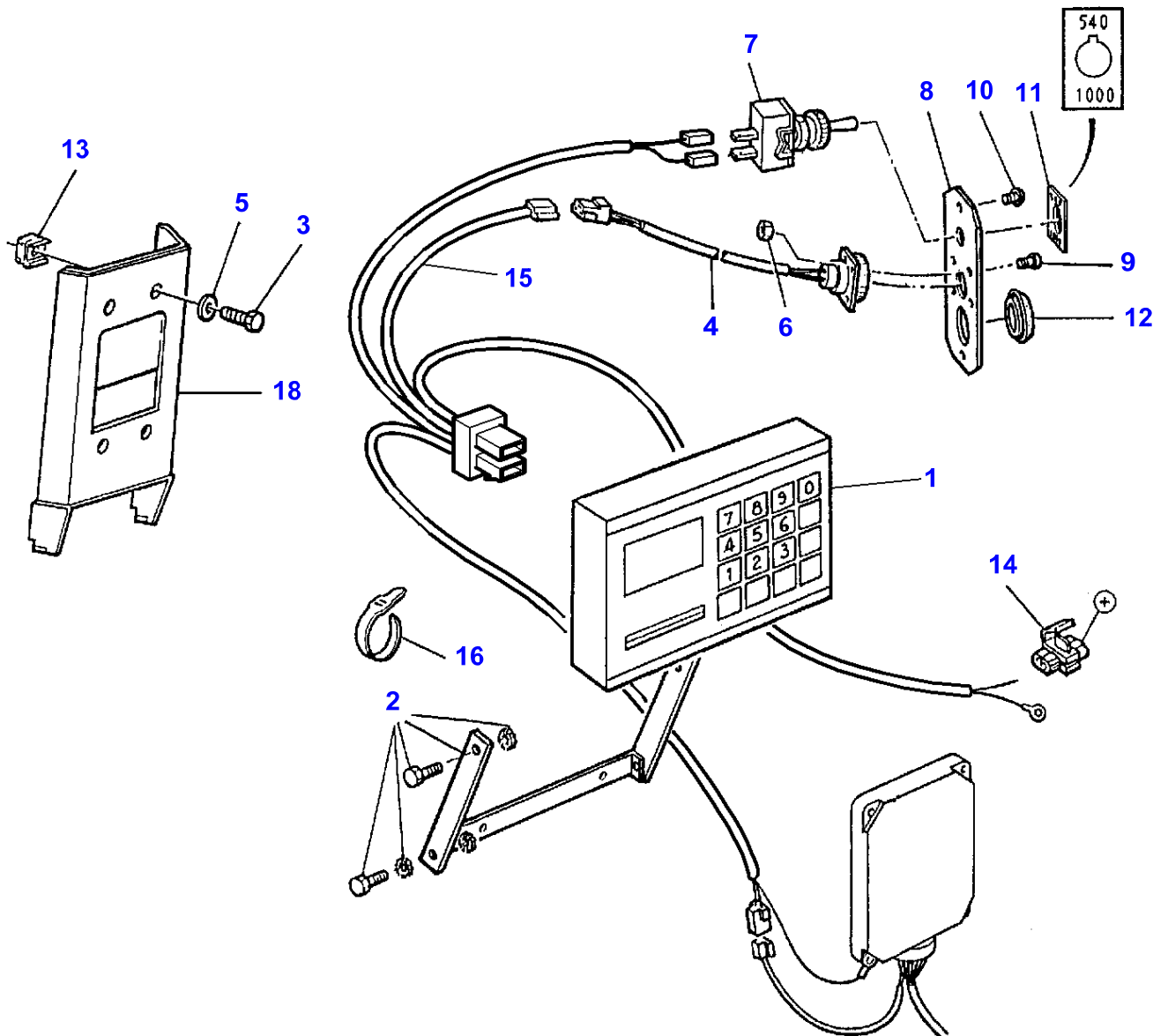
[B]
FOR THE PART NUMBERS OF THESE PARTS, PLEASE REFER TO THE PAGE
OF THE ASSY ON WHICH THEY ARE MOUNTED.

1-AU31-023



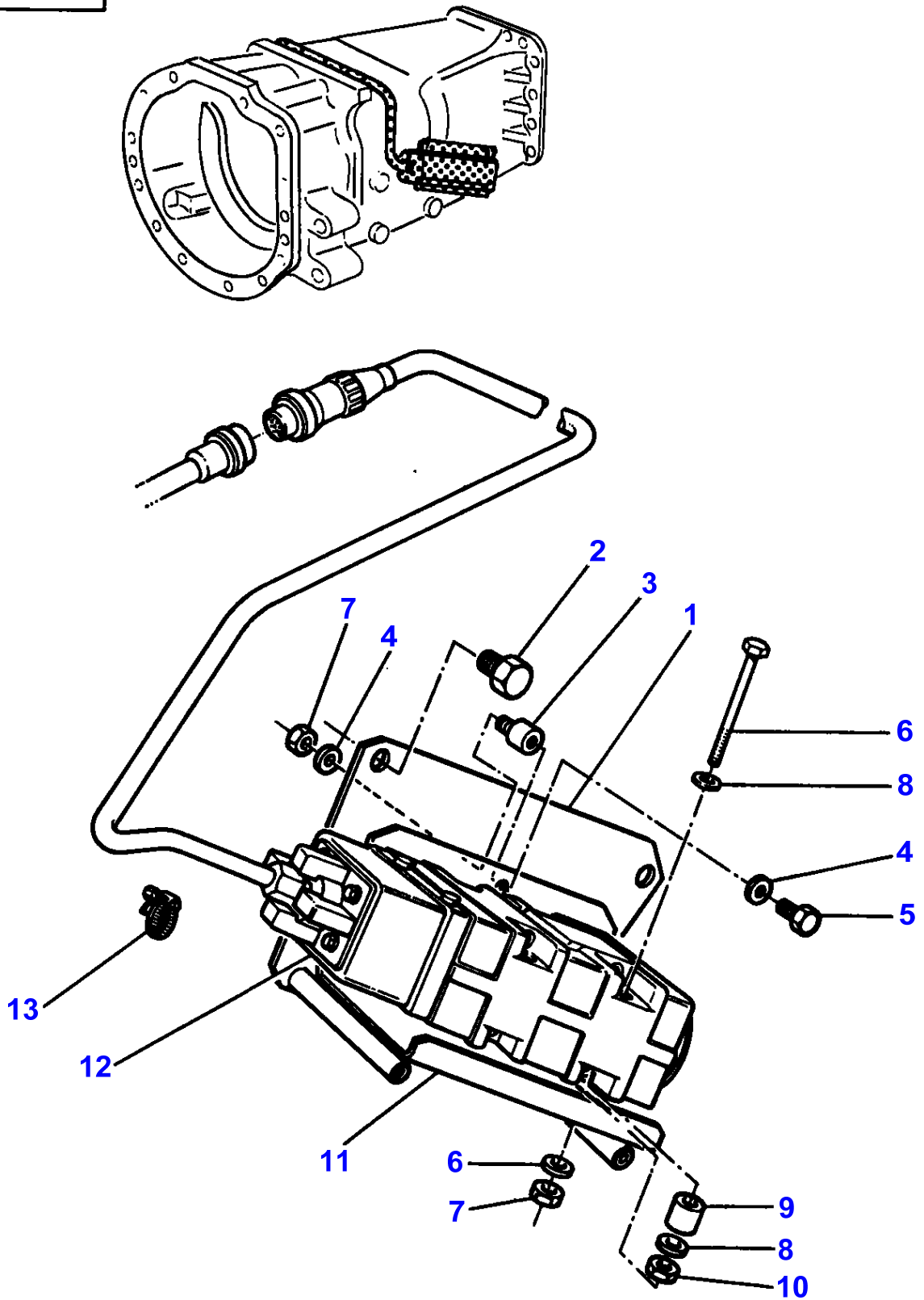
autotronic

17



Item	Part Number	Qty	Description	Comments
				FOR GERMANY ONLY FROM B112002 - WITH PTO-DISMOUNTABLE DRIVE MECHANISM
1	3619303M2	1	Onboard Computer	
2	3581434M1	1	Support	
3	3580257M1	4	Screw	M8X20
4	3581390M1	1	Intake	
5	1427000M1	4	Washer	
6	391216X1	4	Nut Metric	
7	3389297M1	1	Switch	
8	3389284M1	1	Support	
9	339367X1	4	Screw Metric	
	391349X1	4	Rivet	Diameter 3,2MM
10	3004514X1	2	Screw	
11	3389298M2	1	Tappet Plate	
12	3580982M1	1	Plug	
13	3615557M1	4	Boxnut	
14	3042464M1	1	Union	
15	3619304M1	1	Harness	
16	3581438M1	10	Clamp	
17	3581018M1	2	Decal	
18	3615700M1	1	Mounting	Right Hand

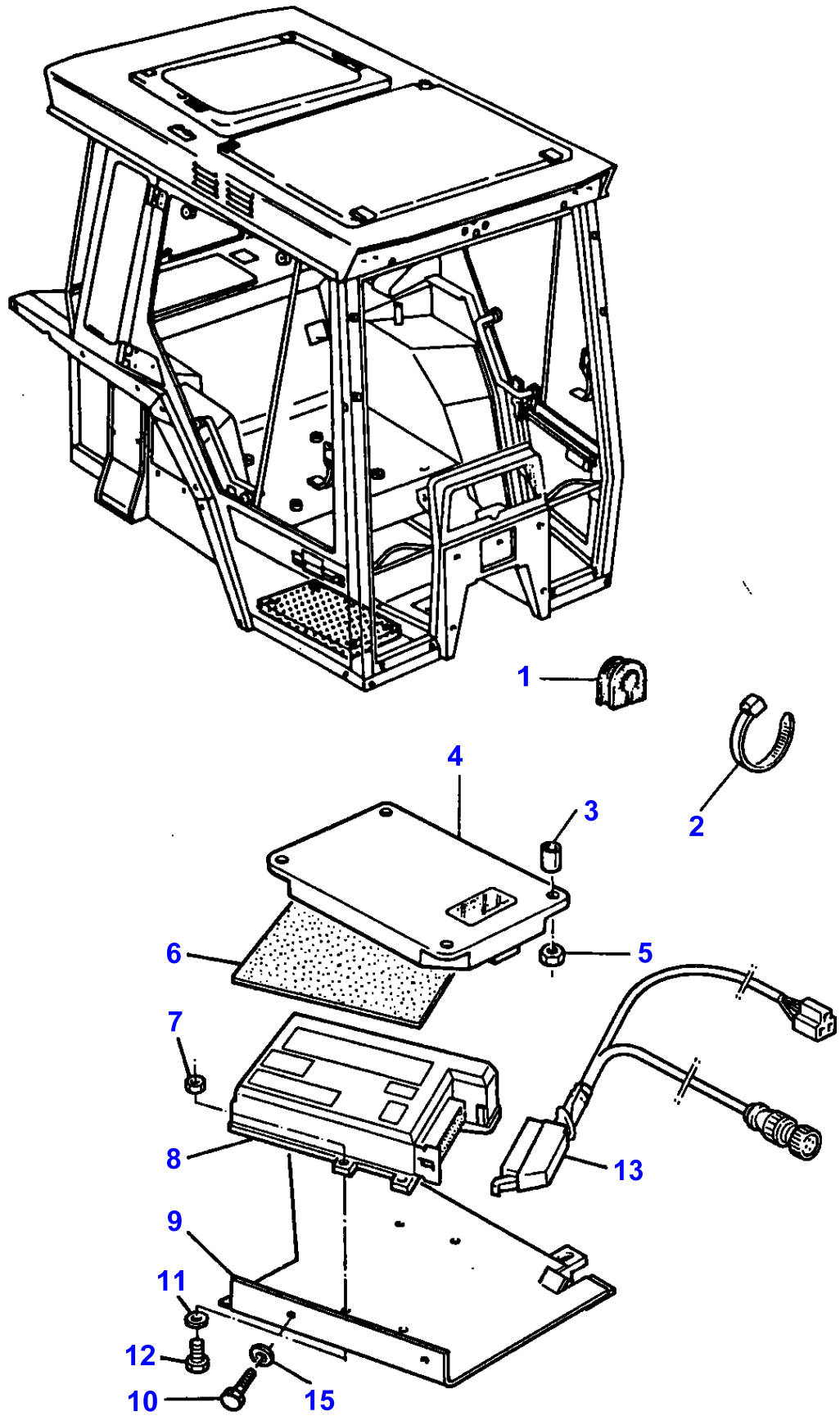
1-AU 34-008



RADAR

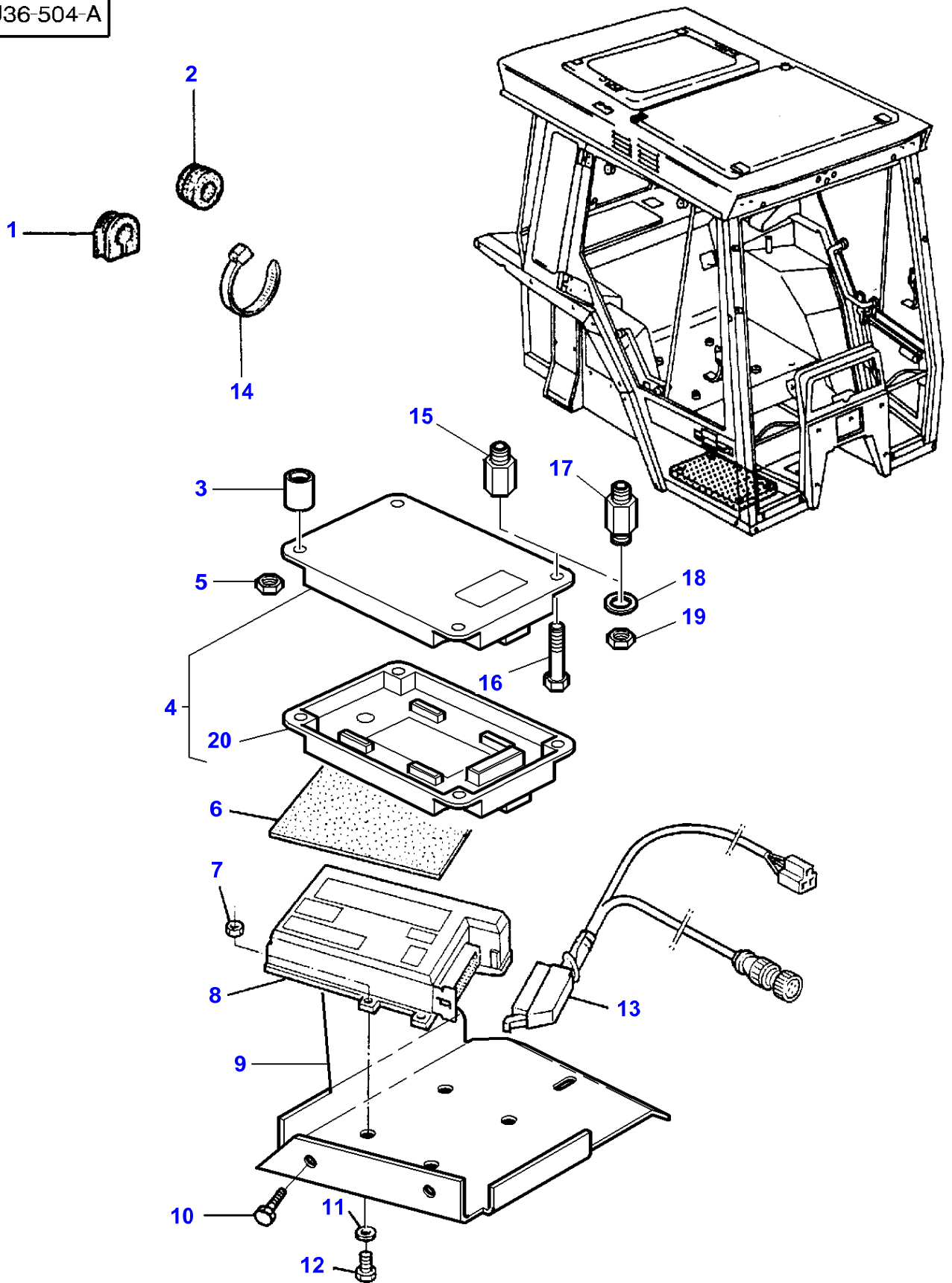
Item	Part Number	Qty	Description	Comments
1	3583533M91	1	Plate	
2	354704X1	3	Screw Unc	
3	3583548M1	3	Dowel	
4	390971X1	3	Washer Metric	
5	339230X1	3	Screw Metric	
6	3019894X1	4	Screw	
7	339030X1	7	Nut Metric	
8	339588X1	12	Washer	
9	3582802M1	4	Spacer	
10	392308X1	4	Nut	
11	3583493M1	1	Support	
12	3388884M1	1	Speed Detector	
	3388885M1	1	Speed Detector	For UK only or any text in English only
13	3619622M1	2	Tie	

1-AU36-005



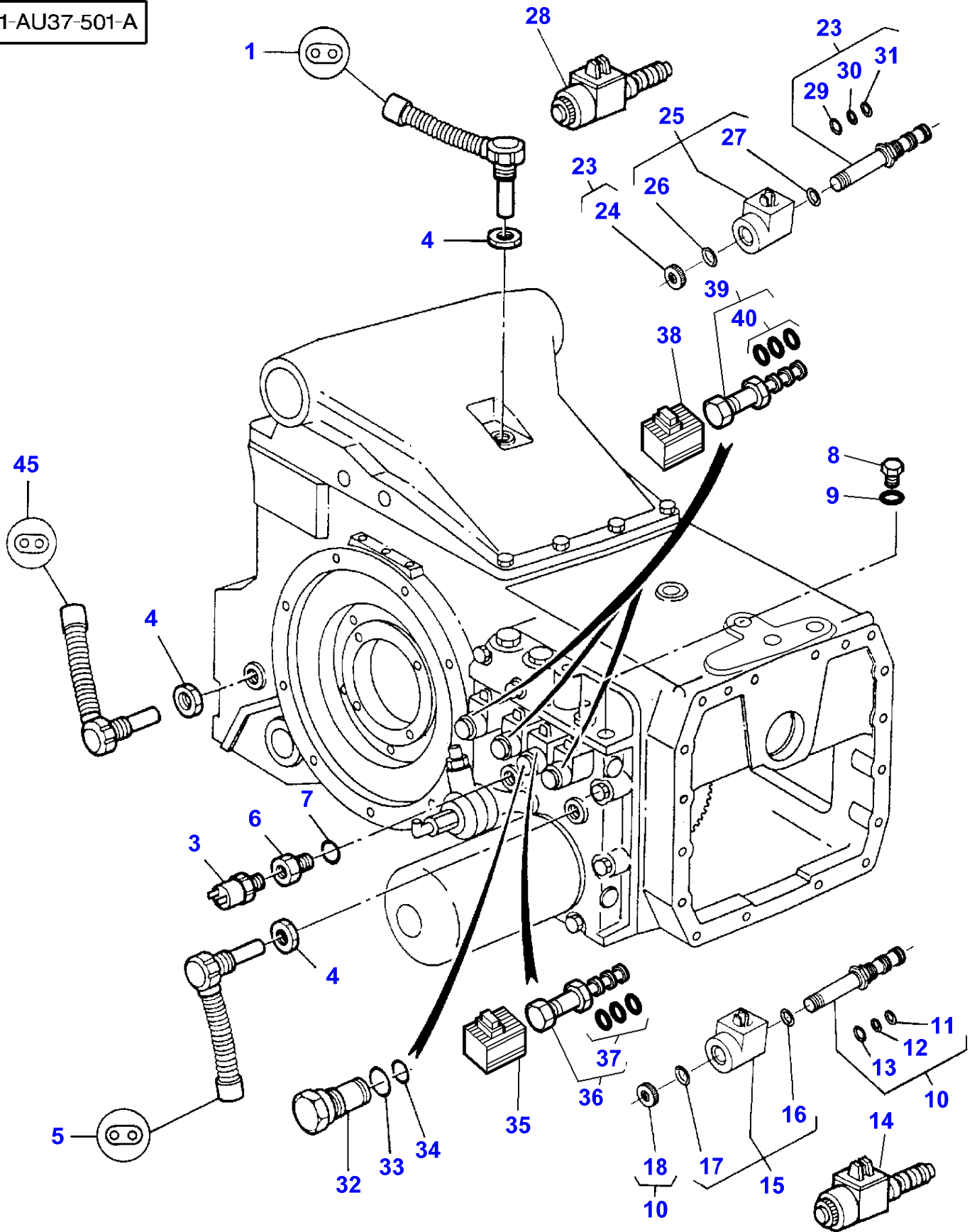
Item	Part Number	Qty	Description	Comments
				UP TO B165012 (SPEEDSHIFT) OR B125021 (DYNASHIFT)
1	3387678M1	1	Grommet	
2	3619622M1	4	Tie	
3	3388650M2	3	Spacer	
4	3582042M3	1	Switch Box	
5	1441494X1	3	Nut Metric	
6	3582865M1	1	Gasket	
7	390995X1	4	Nut Metric	Diameter M5
8	3582895M91	1	Interface Unit	
9	3582863M92	1	Cover	
10	391074X1	2	Screw Metric	M6X12
	339560X1	1	Screw Metric	M6X16
11	339381X1	4	Lock Washer	
12	339563X1	4	Screw Metric	Diameter M5X20
13	3582866M1	1	Harness	
15	353754X1	3	Washer	

1-AU36-504-A



Item	Part Number	Qty	Description	Comments
				FROM B165013 (SPEEDSHIFT) OR B125022 (DYNASHIFT)
1	3387678M1	1	Grommet	
2	3619622M1	4	Tie	
3	3619459M1	3	Spacer	25X10
4	3715631M1	1	Switch Box	
5	1441494X1	4	Nut Metric	M5
6	3582865M1	1	Gasket	
7	390995X1	4	Nut Metric	M5
8	3582895M91	1	Interface Unit	
9	3619157M2	1	Cover	
10	391074X1	2	Screw Metric	M6X12
	339229X1	1	Bolt Metric	M6X40
11	339381X1	4	Lock Washer	
12	339563X1	4	Screw Metric	M5X20
13	3582866M1	1	Harness	
14	3580984M1	1	Grommet	
15	3580373M1	1	Spacer	Up to Serial or Engine Number B336005
16	339721X1	1	Screw Metric	Up to Serial or Engine Number B336005 M5X16
17	3619798M1	1	Spacer	From Serial or Engine Number B336006
18	391038X1	1	Washer Metric	From Serial or Engine Number B336006
19	339030X1	1	Nut Metric	From Serial or Engine Number B336006
20	3902029M1	1	Cover	(4)

1-AU37-501-A



ELECTRONIC EQUIPMENT-SENSORS

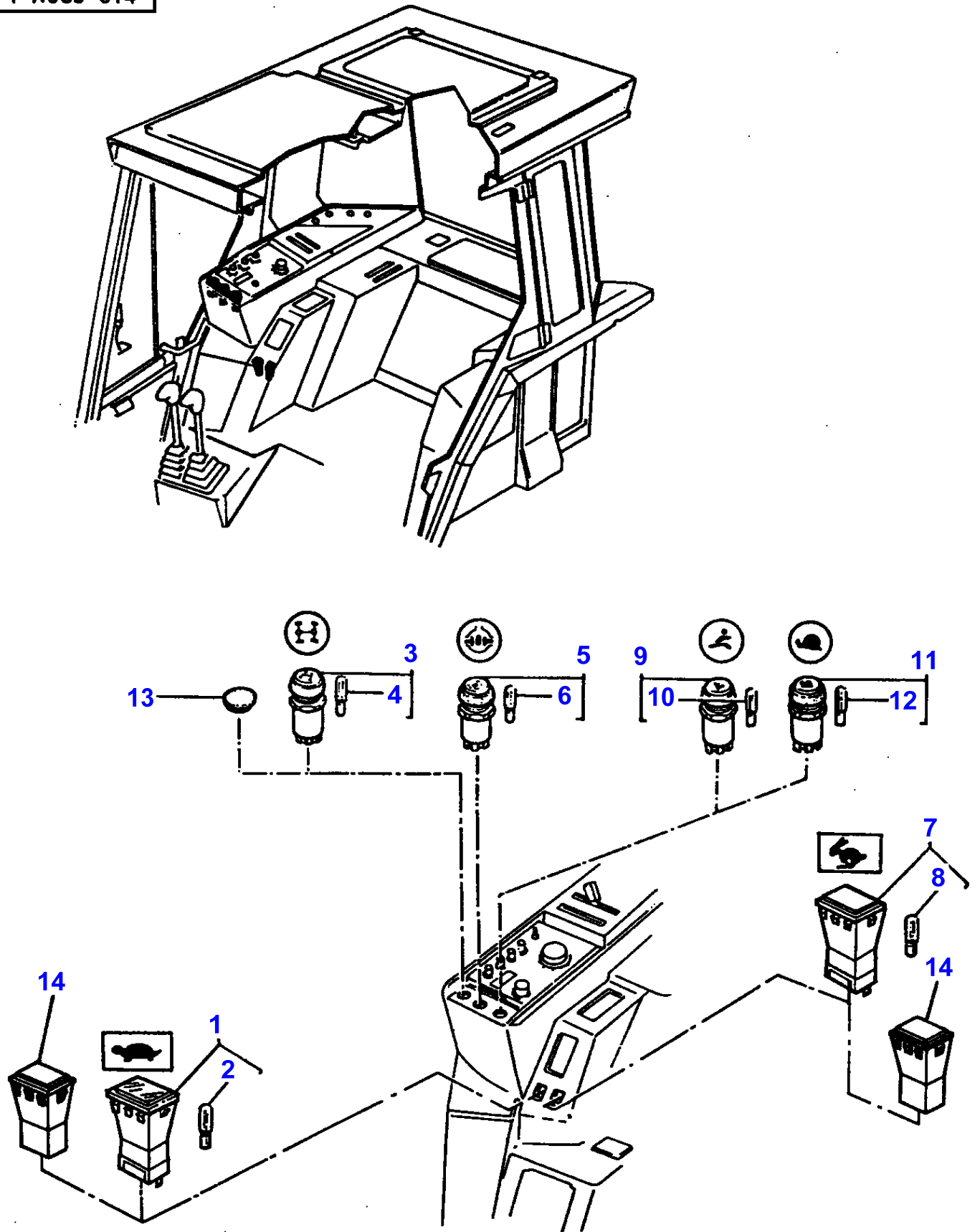
Item	Part Number	Qty	Description	Comments
1	3583286M1	1	Tr.Speed Sensor	[A]
	3583287M1	1	Inductive Taker	
3	3381387M3	1	Low Pr.Oil Trmtr	
4	339592X1	3	Nut Metric	
5	3583285M1	1	Inductive Taker	[D]
6	3388625M1	1	Adaptor	
7	3019395X1	1	O Ring	
8	3019640X1	1	Plug	Two Wheel Drive
9	3019395X1	1	O Ring	Two Wheel Drive
10	3616588M1	1	Spool	Up to Serial or Engine Number B326009
11	3104856M1	1	O Ring	(10) Up to Serial or Engine Number B326009
12	3104855M1	1	O Ring	(10) Up to Serial or Engine Number B326009
13	1852568M1	1	O Ring	(10) Up to Serial or Engine Number B326009
14		1	Electrovalve	Not serviced, order REF10 ET 15
15	3616589M1	1	Solenoid	[B] Up to Serial or Engine Number A335020
15	3616586M1	1	Solenoid	[B,F,G] From Serial or Engine Number A335021
16	3105500M1	1	O Ring	Up to Serial or Engine Number B326009 (15)
17	3105499M1	1	O Ring	Up to Serial or Engine Number B326009 (15)
18	3105498M1	1	Nut	Up to Serial or Engine Number B326009 (10)
23	3616588M1	1	Spool	Up to Serial or Engine Number B308026
24	3105498M1	1	Nut	(23) Up to Serial or Engine Number B308026
25	3616590M1	1	Solenoid	Up to Serial or Engine Number A335020
	3616587M1	1	Solenoid	[F,G] From Serial or Engine Number A335021
26	3105499M1	1	O Ring	Up to Serial or Engine Number B308026 (25)
27	3105500M1	1	O Ring	Up to Serial or Engine Number B308026 (25)
28		1	Electrovalve	Four Wheel Drive Not serviced, order REF23 ET 25
28		2	Electrovalve	Not serviced, order REF23 ET 25
29	1852568M1	1	O Ring	(23) Up to Serial or Engine Number B308026
30	3104855M1	1	O Ring	(23) Up to Serial or Engine Number B308026
31	3104856M1	1	O Ring	(23) Up to Serial or Engine Number B308026
32	3381874M1	1	Plug	[E]
33	1852568M1	1	O Ring	[E]
34	363510X1	1	O Ring	[E]
35	3619764M1	1	Solenoid	[B] From Serial or Engine Number B326010
36	3619762M1	1	Spool	From Serial or Engine Number B326010
37	3900994M91	1	Kit, Joint	(36) From Serial or Engine Number B326010
38	3619763M1	1	Solenoid	From Serial or Engine Number B308027
39	3619762M1	1	Spool	From Serial or Engine Number B308027
40	3900994M91	1	Kit, Joint	(39) From Serial or Engine Number B308027
42	3381874M1	1	Plug	
43	1852568M1	1	O Ring	
44	363510X1	1	O Ring	
45	3583285M1	1	Inductive Taker	[C] 540TR/MN
45	3712058M1	1	Inductive Taker	[E,H] 750TR/MN

[A]
WITHOUT HYDRAULIC LIFT COVER

ELECTRONIC EQUIPMENT-SENSORS

Item	Part Number	Qty	Description	Comments
				[B] INCLUDING A DIODE
				[C] P.T.O SPEED SENSOR
				[D] ENGINE SPEED SENSOR
				[E] WITH DYNASHIFT
				[F] NEW CONNECTION
				[G] EXCEPT TRACTOR NO A336004
				[H] WITH WET CLUTCH

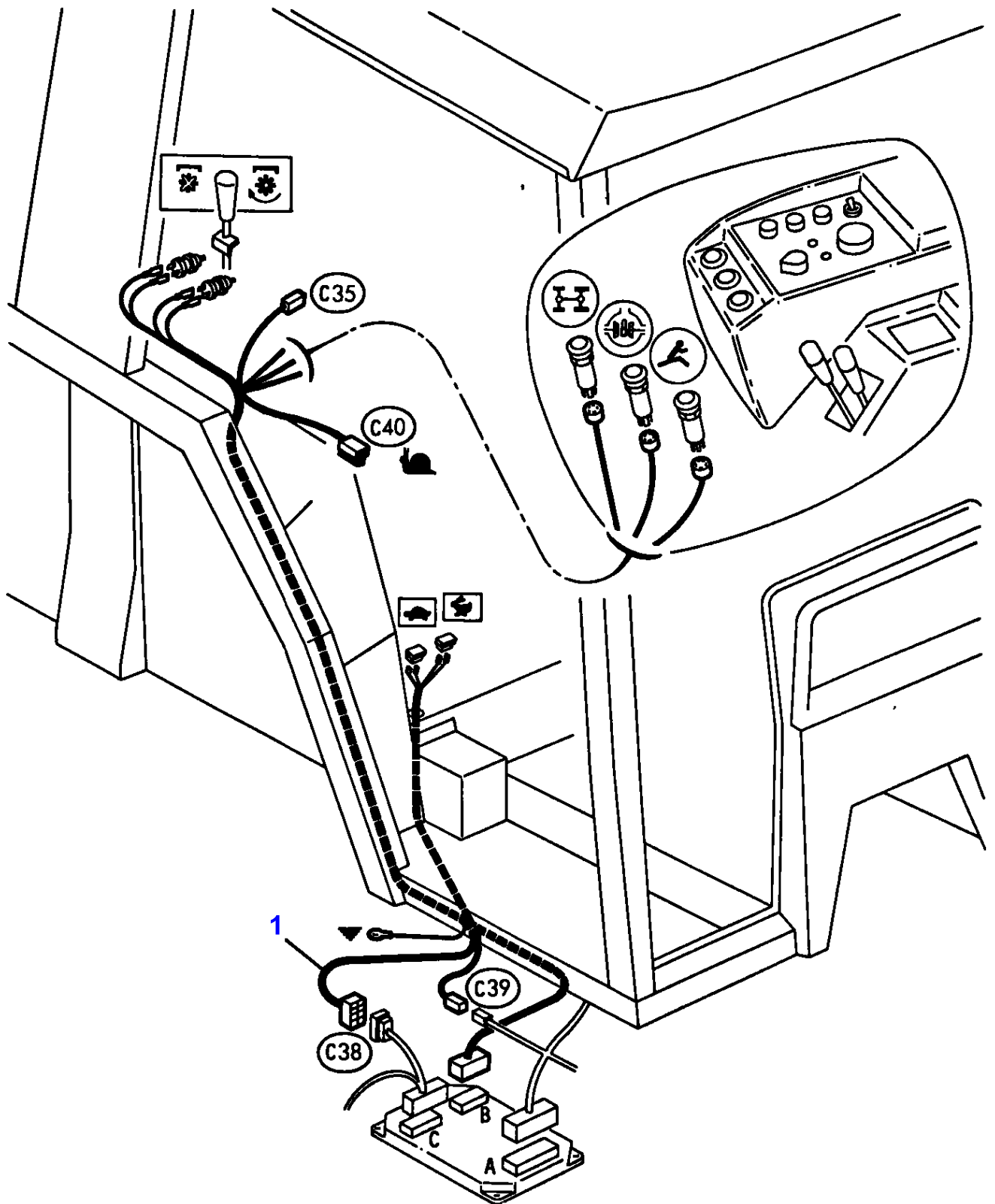
1-AU38-014



ELECTICAL CONTROLS-SWITCHES

Item	Part Number	Qty	Description	Comments
1	3582425M92	1	Control Light	Up to Serial or Engine Number A174030
2	3615566M1	1	Bulb 12v 2w	(1)
3	3385822M1	1	Switch 4wd	
4	3405185M1	1	Bulb 12v 1.2w	(3)
5	3384575M1	1	Switch Difl Lock	
6	3405185M1	1	Bulb 12v 1.2w	(5)
7	3582426M92	1	Control Light	Up to Serial or Engine Number A174030
8	3615566M1	1	Bulb 12v 2w	(7)
9	3380337M91	1	Switch,Indirect	
10	3405185M1	1	Bulb 12v 1.2w	(9)
11	3383561M1	1	Switch,Indirect	
12	3405185M1	1	Bulb 12v 1.2w	(11)
13	3380422M2	1	Plug	
14	3617369M1	2	Tap	From Serial or Engine Number A174031 Up to Serial or Engine Number A185029

1- AU16-042

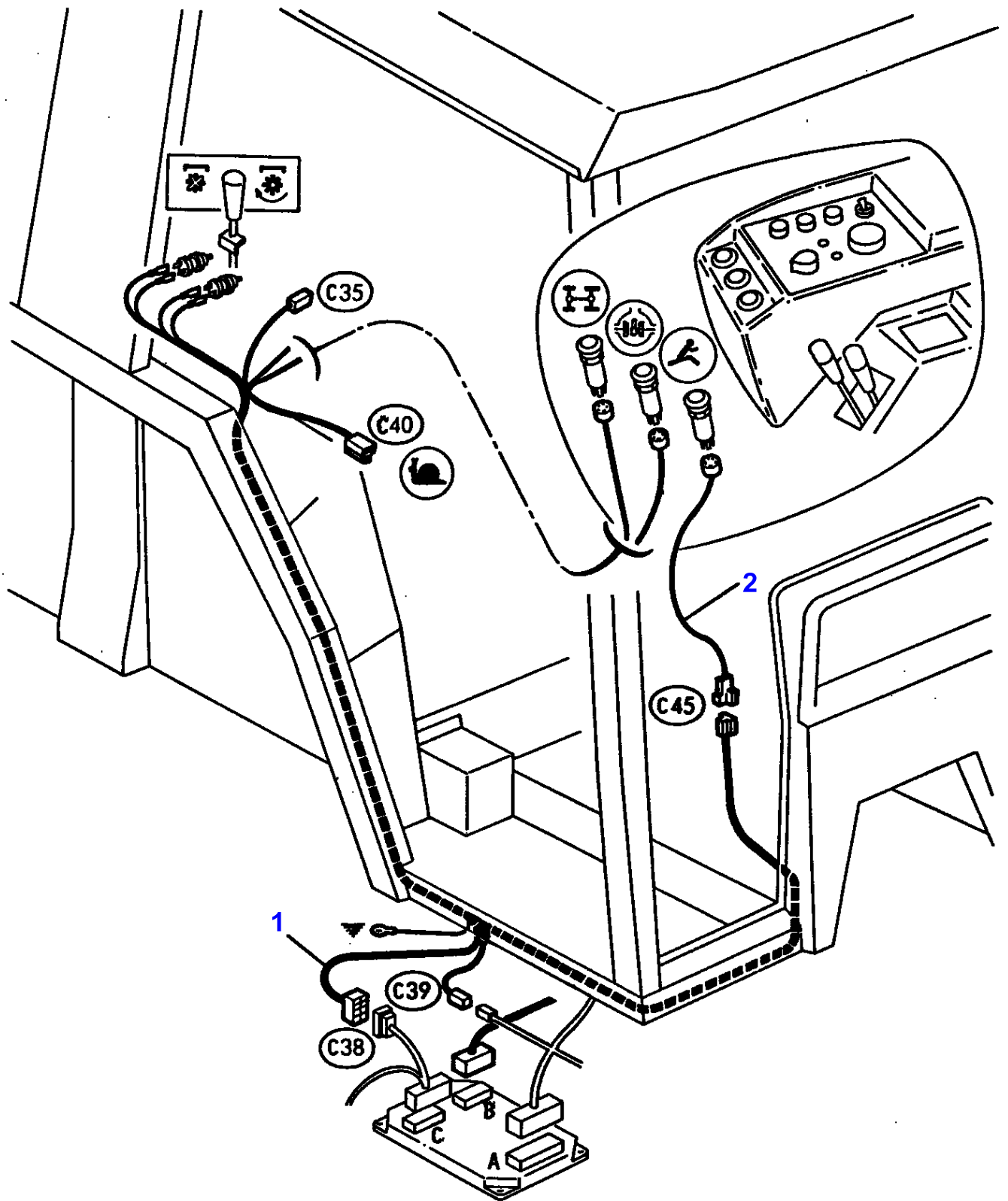


MASSEY FERGUSON**MF 3690 TRACTOR - 1637223****1637223****TRACTOR CAB-ELECTRICAL WIRING - UP TO A174030 (SPEEDSHIFT) OR A107031 (DYNASHIFT)****353**

Item	Part Number	Qty	Description	Comments
------	-------------	-----	-------------	----------

1	3583272M91	1	Harness	UP TO A174030 (SPEEDSHIFT) OR A107031 (DYNASHIFT)
---	------------	---	---------	---

1 - AU16-098



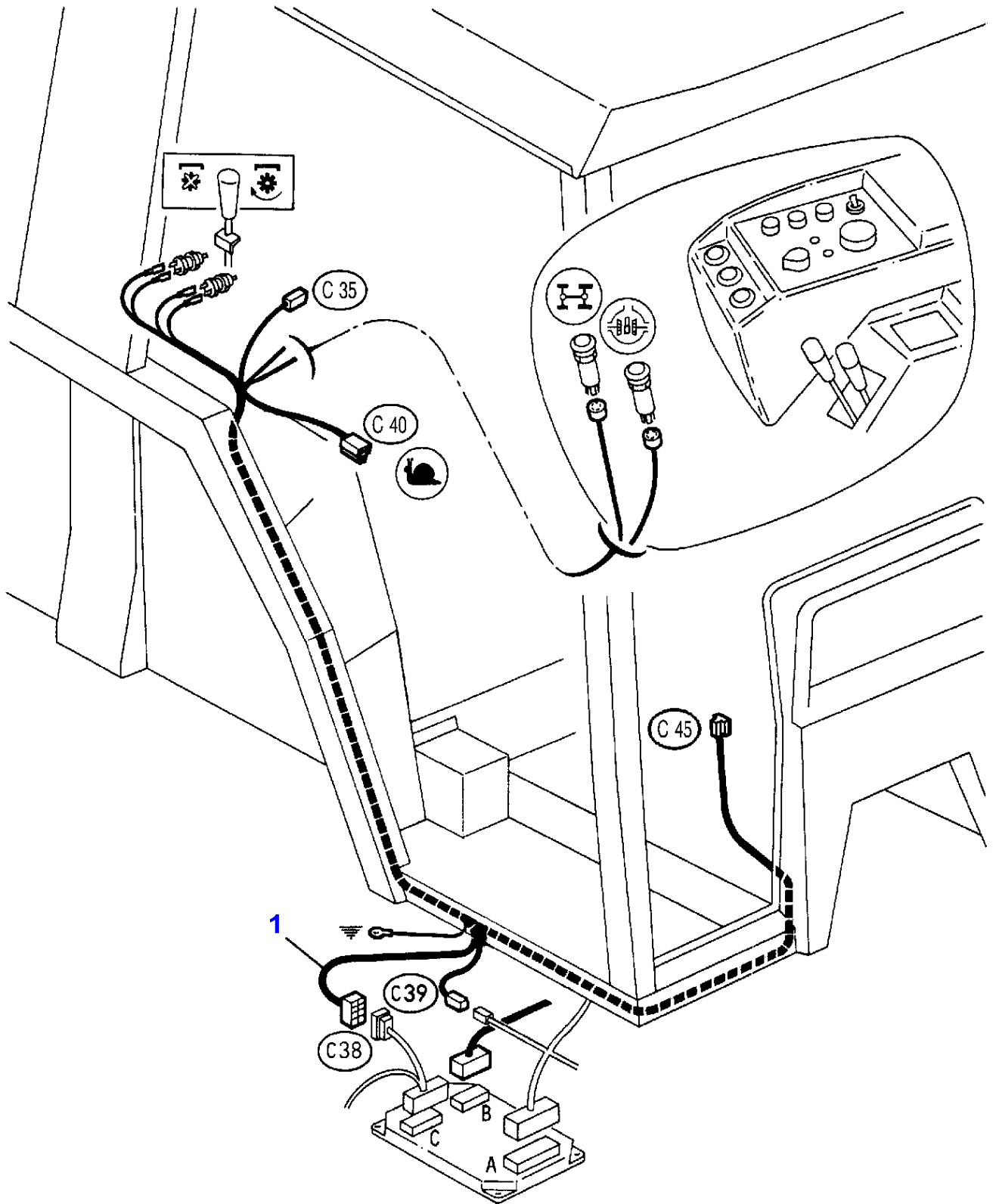
MASSEY FERGUSON**MF 3690 TRACTOR - 1637223****1637223****TRACTOR CAB-ELECTRICAL WIRING - FROM A174031 UP TO B165012 (SPEEDSHIFT)****354**

Item	Part Number	Qty	Description	Comments
------	-------------	-----	-------------	----------

1	3618026M91	1	Harness	
2	3618036M1	1	Harness	

FROM A174031 UP TO B165012 (SPEEDSHIFT)

1-AU16-116

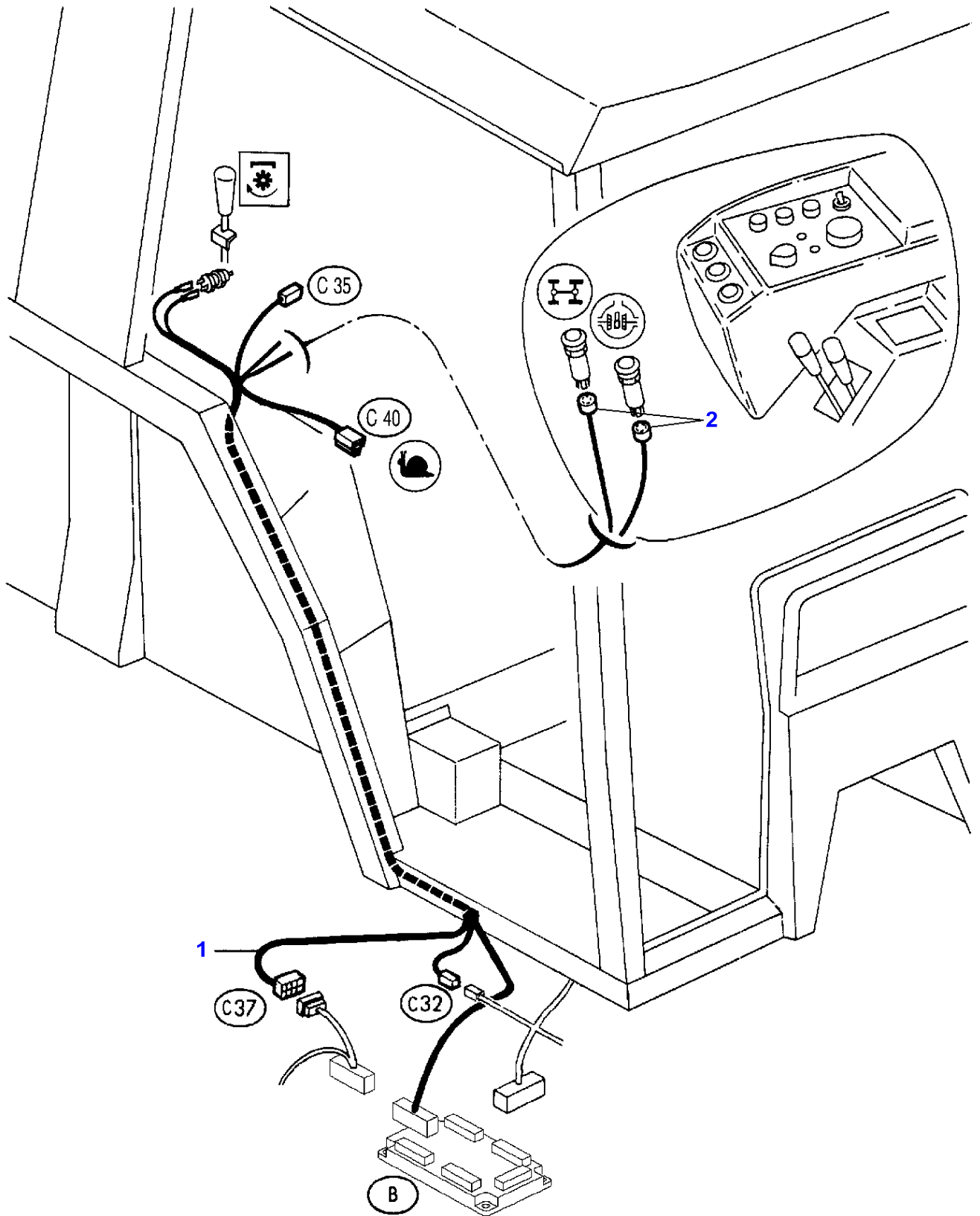


MASSEY FERGUSON**MF 3690 TRACTOR - 1637223****1637223****TRACTOR CAB-ELECTRICAL WIRING - FROM NO A107032 (DYNASHIFT) UP TO B125021****355**

Item	Part Number	Qty	Description	Comments
------	-------------	-----	-------------	----------

1	3618026M91	1	Harness	FROM NO A107032 (DYNASHIFT) UP TO B125021
---	------------	---	---------	---

1-AU16-138

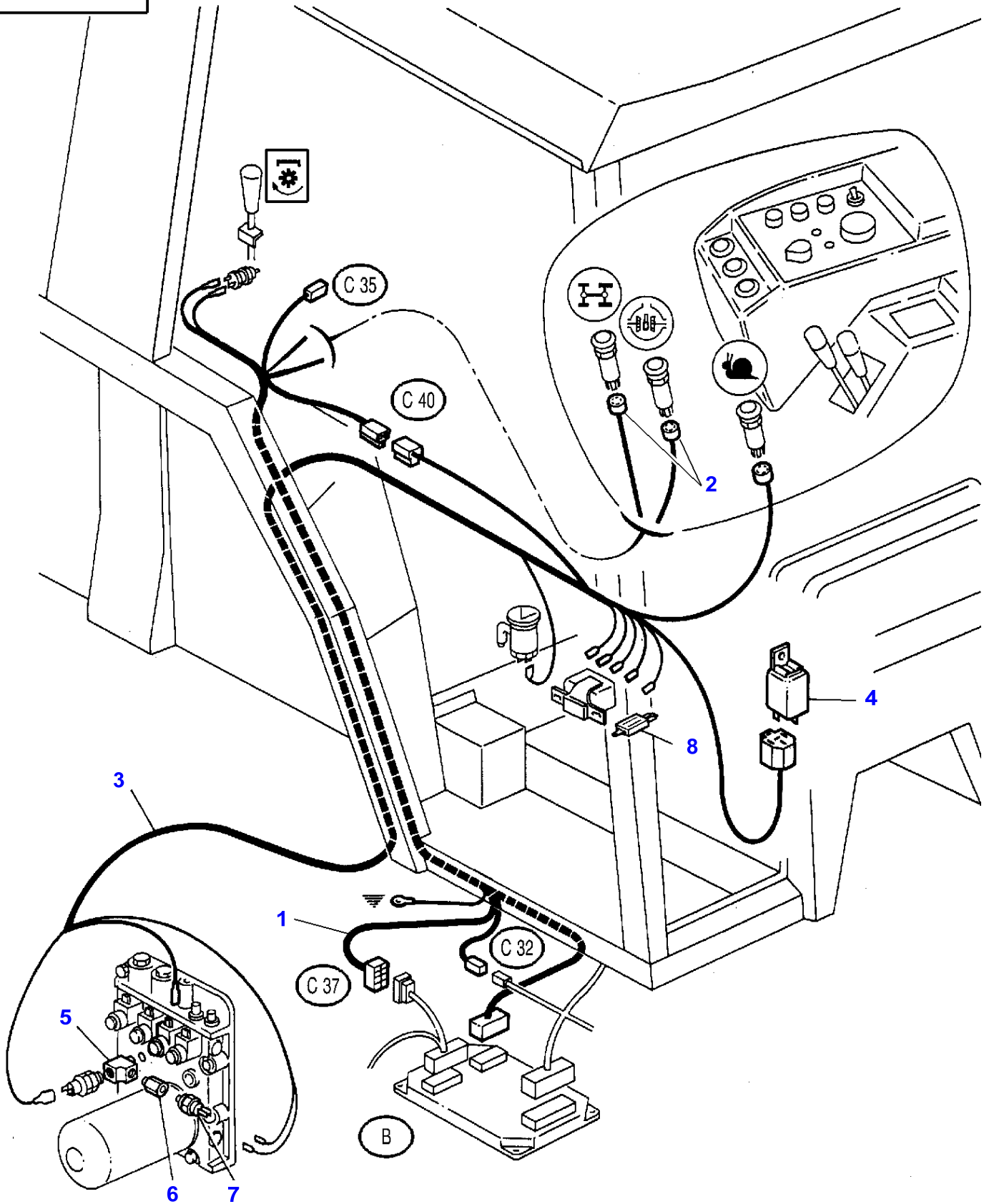


MASSEY FERGUSON**MF 3690 TRACTOR - 1637223****1637223****TRACTOR CAB-ELECTRICAL WIRING - FROM B165013 (SPEEDSHIFT) OR B125022 (DYNASHIFT)****356**

Item	Part Number	Qty	Description	Comments
------	-------------	-----	-------------	----------

1	3619293M92	1	Harness	
2	3384957M1	2	Connectors	(1)

1-AU16-170



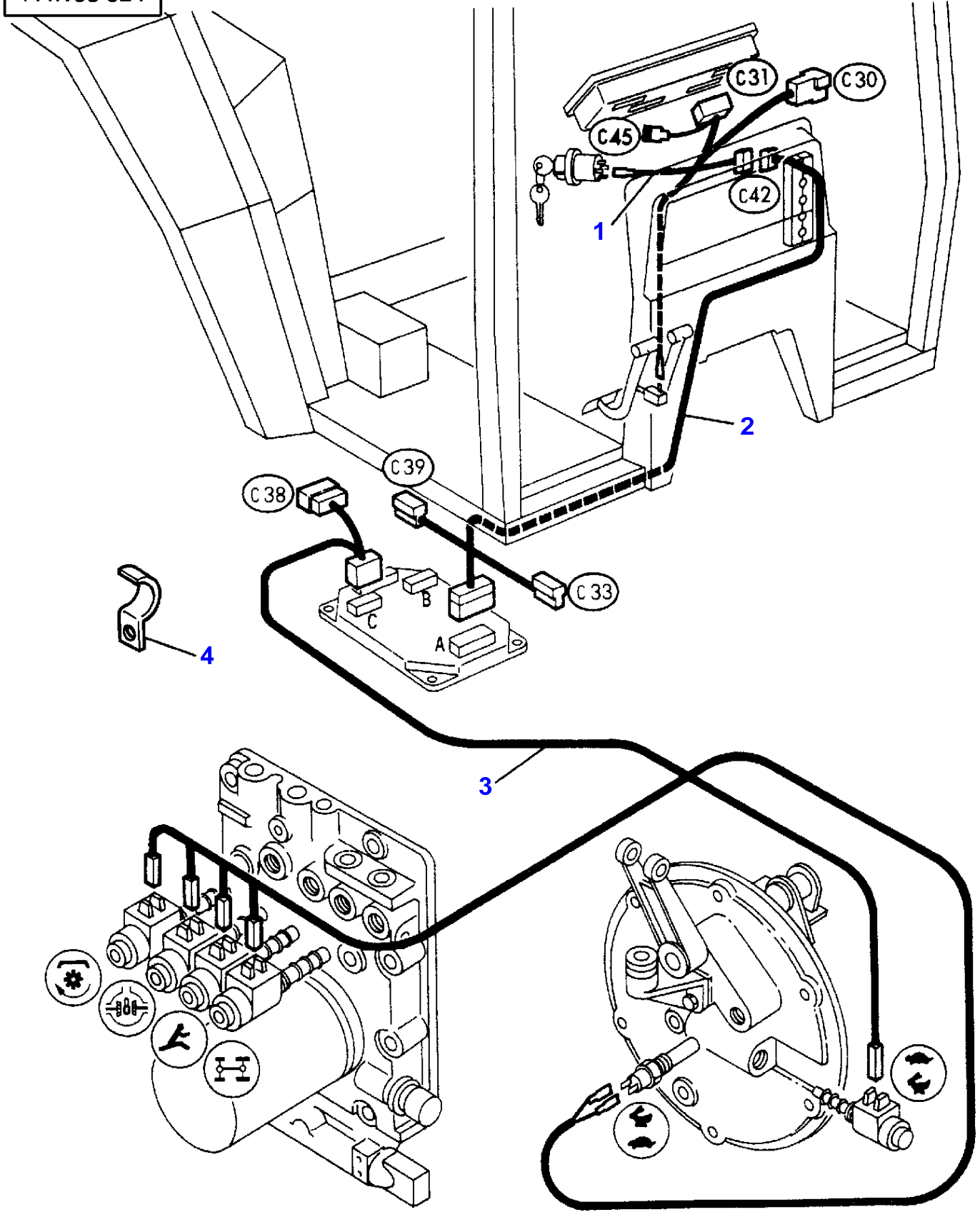
TRACTOR CAB-ELECTRICAL WIRING - WITH SUPER CREEPER GEAR FROM B165013

Item	Part Number	Qty	Description	Comments
				WITH SUPER CREEPER GEAR FROM B165013
1	3619293M92	1	Harness	
2	3384957M1	2	Connectors	(1)
3	3582963M2	1	Harness	
	3712492M91	1	Harness	[A,B]
4	3615652M1	1	Relay	
5	366651X1	1	Union	
6	3616500M1	1	Adaptor	
7	3381387M3	1	Low Pr.Oil Trmtr	
8	3615548M1	1	Diode	

[A]
NEW CONNECTION

[B]
INCLUDING A DIODE

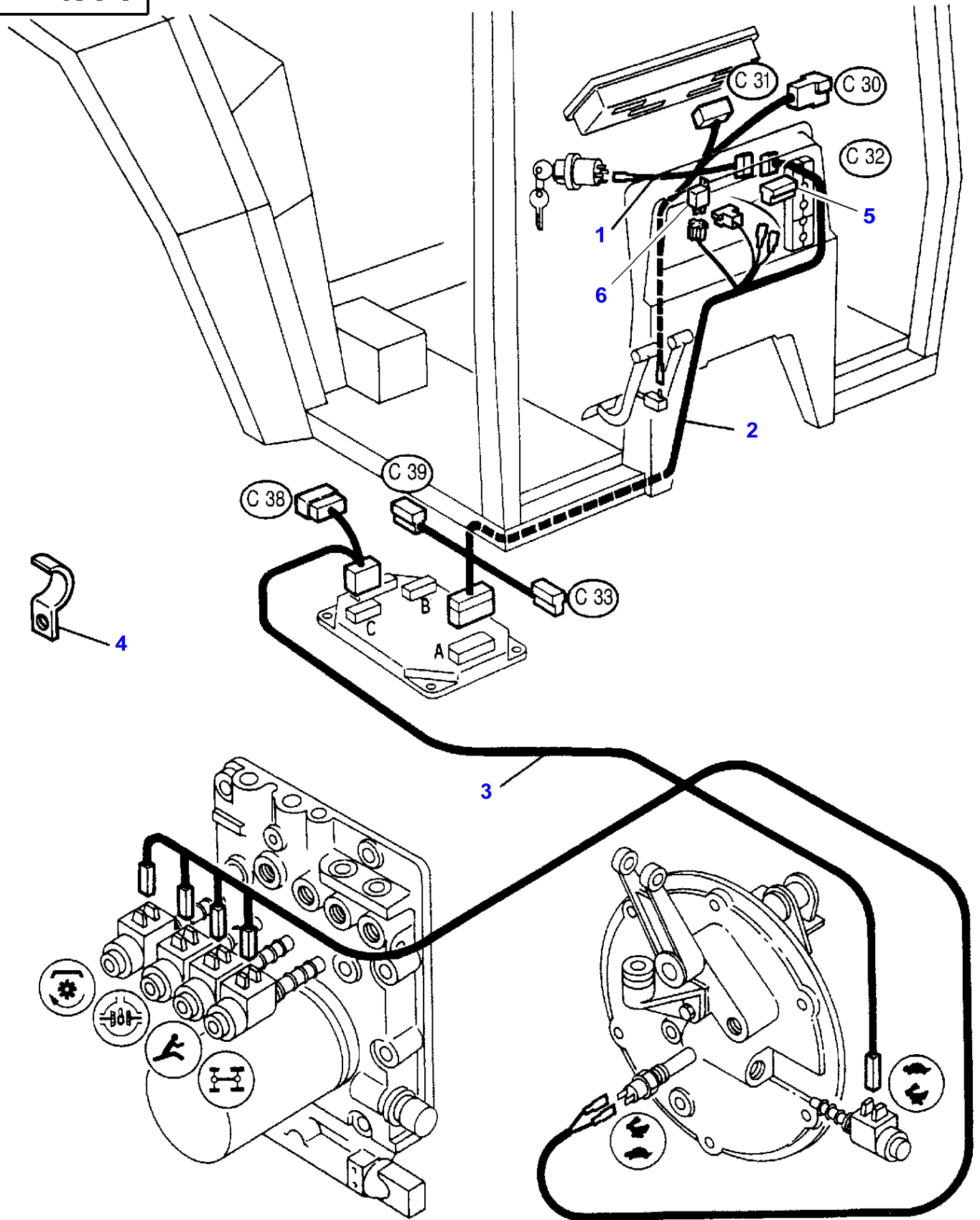
1-AW08-024



MASSEY FERGUSON**MF 3690 TRACTOR - 1637223****1637223****ELECTROVANES HARNESS - UP TO A174030 (SPEEDSHIFT) OR A107031 (DYNASHIFT)****358**

Item	Part Number	Qty	Description	Comments
				UP TO A174030 (SPEEDSHIFT) OR A107031 (DYNASHIFT)
1	3583986M2	1	Inst.Panel Cable	
2	3583988M1	1	Inst.Panel Cable	
3	3583280M1	1	Harness	
4	963109M1	X	Strap	

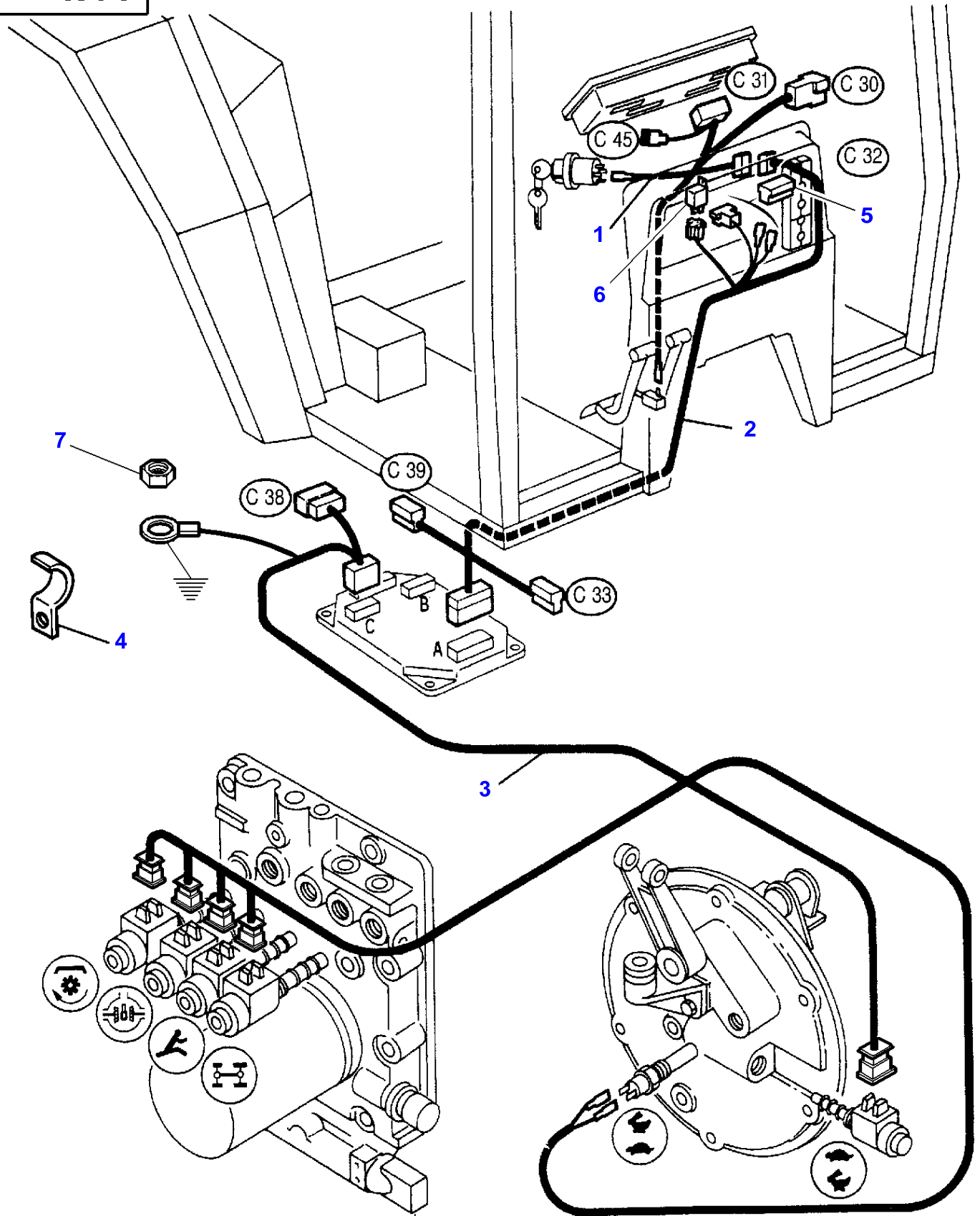
1-AW08-025



MASSEY FERGUSON**MF 3690 TRACTOR - 1637223****1637223****ELECTROVANES HARNESS - FROM A174031 (SPEEDSHIFT) OR A107032 (DYNASHIFT) UP TO A335020****359**

Item	Part Number	Qty	Description	Comments
				FROM A174031 (SPEEDSHIFT) OR A107032 (DYNASHIFT) UP TO A335020
1	3618021M3	1	Harness	
2	3618023M1	1	Harness	
3	3583280M1	1	Harness	
4	963109M1	X	Strap	
5	3618233M1	1	Connectors	
6	3615652M1	1	Relay	

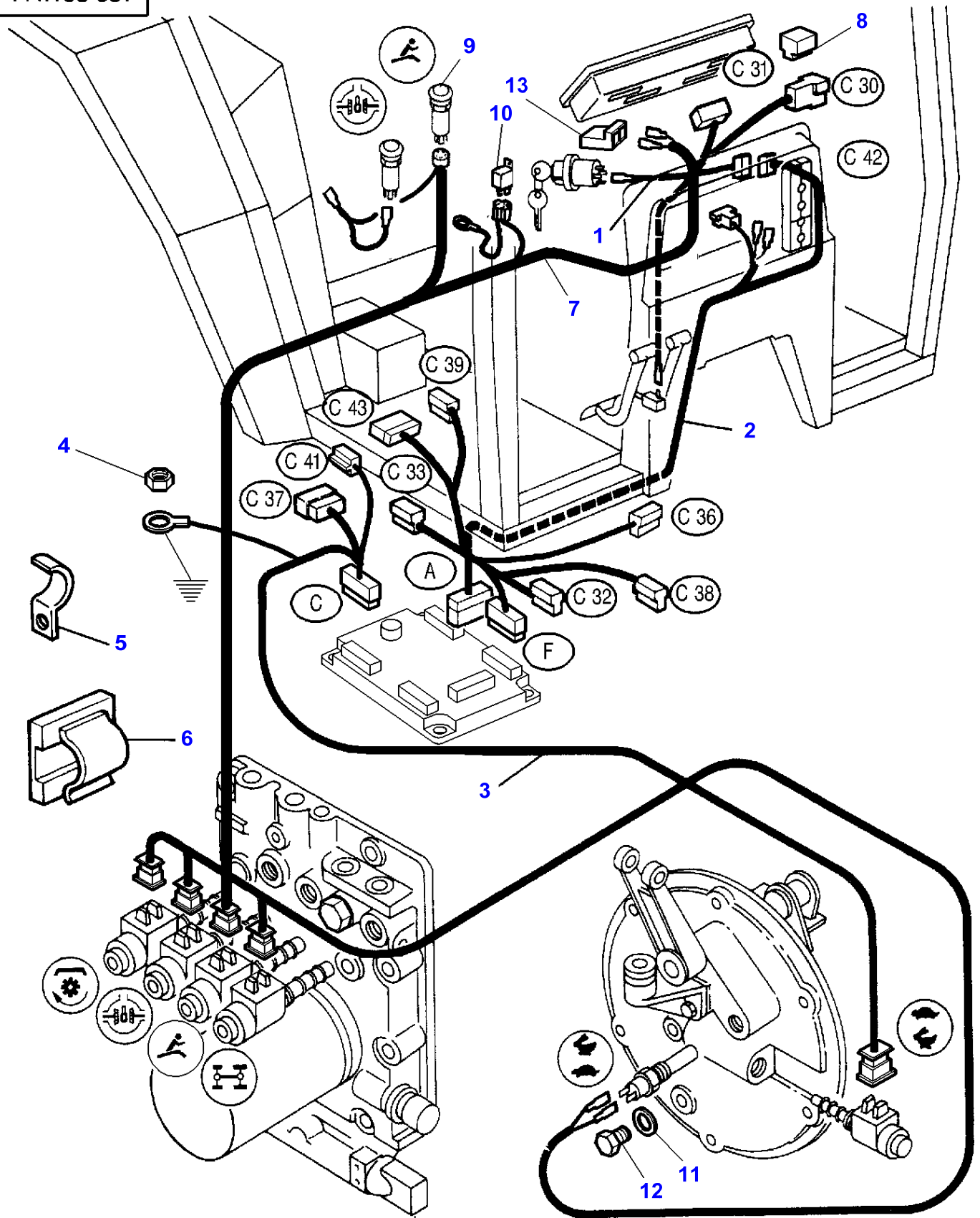
1-AW08-015



MASSEY FERGUSON**MF 3690 TRACTOR - 1637223****1637223****ELECTROVANES HARNESS - FROM A335021 EXCEPT A336004 UP TO B165012 (SPEEDSHIFT) OR B125021 (DYNASHIFT)****360**

Item	Part Number	Qty	Description	Comments
				FROM A335021 EXCEPT A336004 UP TO B165012 (SPEEDSHIFT) OR B125021 (DYNASHIFT)
1	3618021M3	1	Harness	
2	3618023M1	1	Harness	
3	3616724M2	1	Harness	
4	963109M1	X	Strap	
5	3618233M1	1	Connectors	
6	3618233M1	1	Connectors	
7	1441494X1	1	Nut Metric	M5

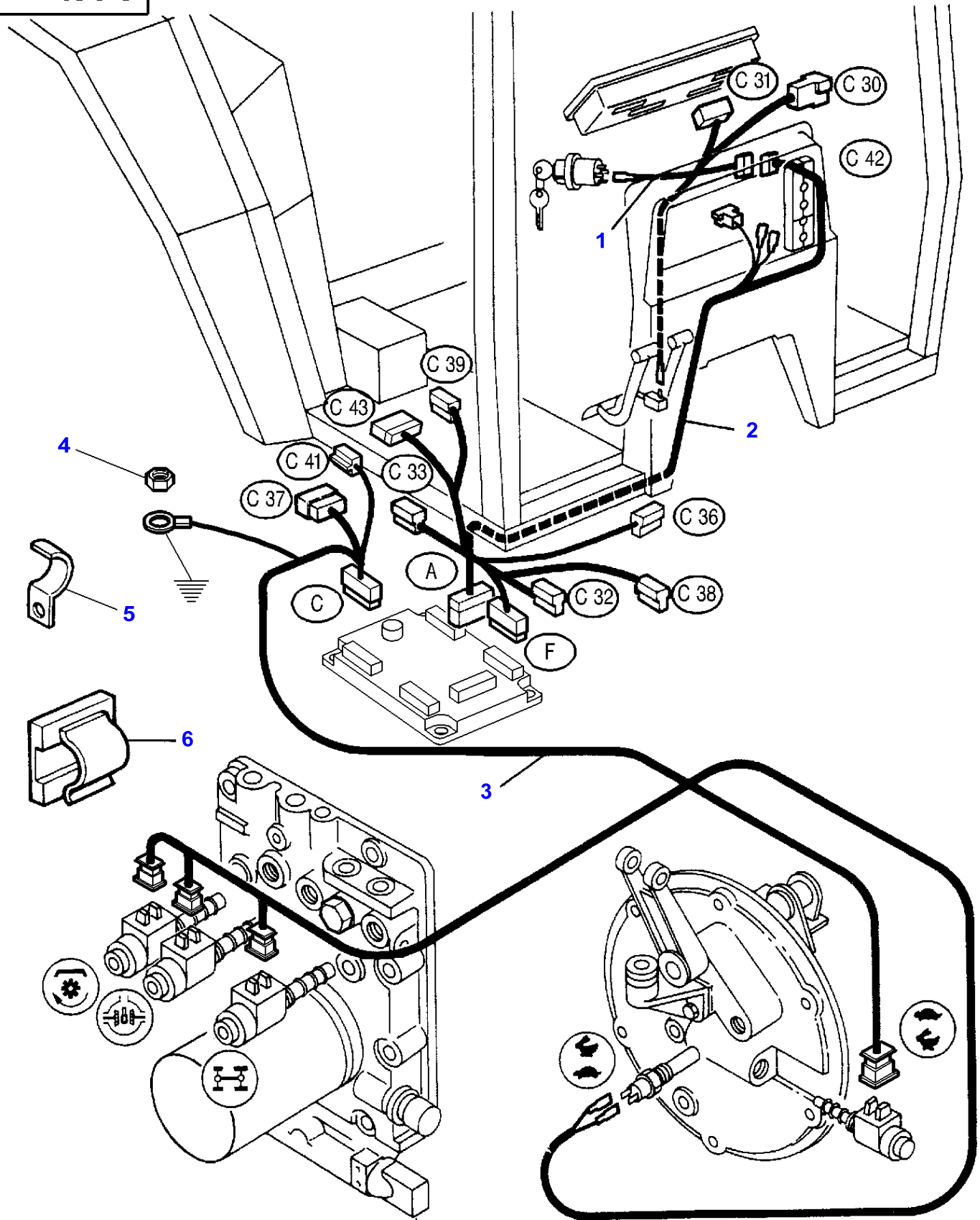
1-AW08-031



Item	Part Number	Qty	Description	Comments
				FROM B165013 WITH SPEEDSHIFT
1	3618021M3	1	Harness	
2	3618338M2	1	Harness	Up to Serial or Engine Number B279017
	3619968M1	1	Harness	From Serial or Engine Number B279018
3	3618344M1	1	Harness	
	3712331M2	1	Harness	[A]
4	1441494X1	1	Nut Metric	M5
5	963109M1	X	Strap	
6	3582094M1	2	Tie	
7	3619580M1	1	Harness	
8	3618233M1	1	Connectors	
9	3380337M91	1	Switch,Indirect	
10	3615652M1	1	Relay	
11	1440012X1	1	Gasket	
12	3019426X1	1	Plug	
13	3616428M1	1	Case Assy	

[A]
WITH LOAD SENSING

1-AW08-028



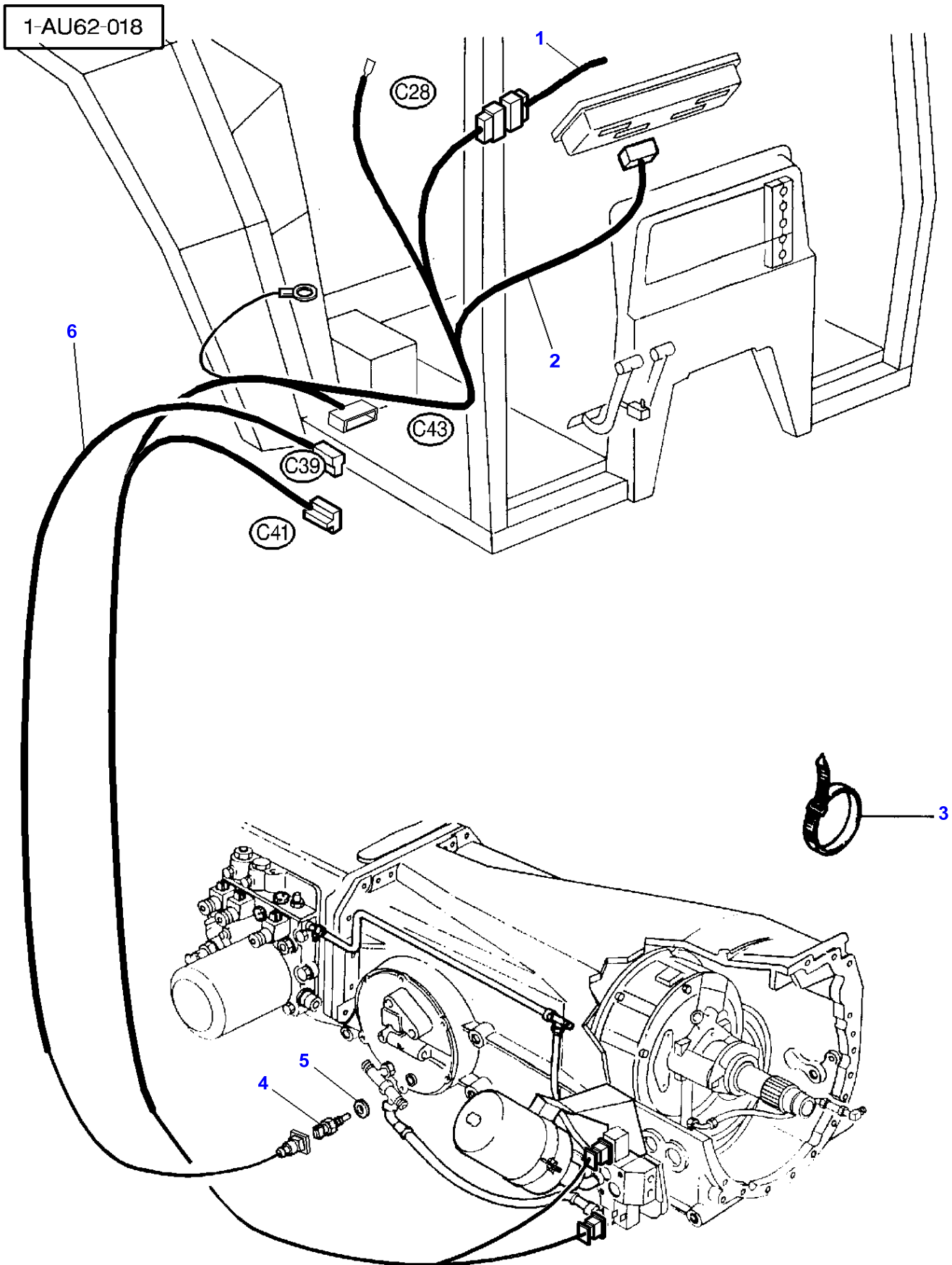
MASSEY FERGUSON**MF 3690 TRACTOR - 1637223****1637223****ELECTROVANES HARNESS - FROM NO B125022 WITH DYNASHIFT****362**

Item	Part Number	Qty	Description	Comments
				FROM NO B125022 WITH DYNASHIFT
1	3618021M3	1	Harness	
2	3618338M2	1	Harness	Up to Serial or Engine Number B279017
	3619968M1	1	Harness	From Serial or Engine Number B279018
3	3618344M1	1	Harness	
	3712331M2	1	Harness	[A]
4	1441494X1	1	Nut Metric	M5
5	963109M1	X	Strap	
6	3582094M1	2	Tie	

[A]
WITH LOAD SENSING

MASSEY FERGUSON**MF 3690 TRACTOR - 1637223****1637223****DYNASHIFT-ELECTRICAL WIRING - WITH TEMPERATURE SENSOR FROM NO A309027 UP TO B125021****363**

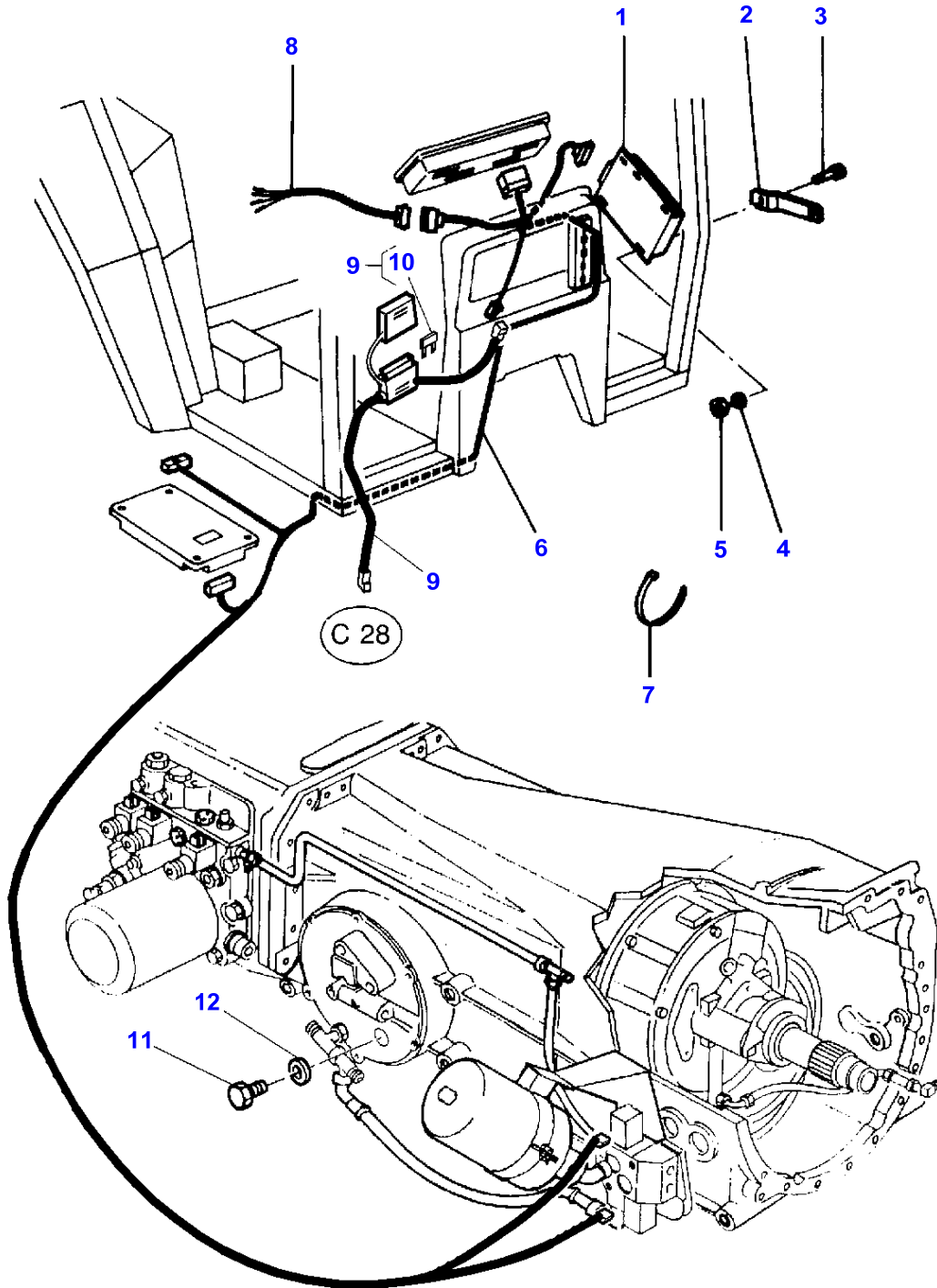
Item	Part Number	Qty	Description	Comments
				WITH TEMPERATURE SENSOR FROM NO A309027 UP TO B125021
1	3618285M3	1	Switch Box	30KM/H
	3618283M2	1	Switch Box	40KM/H
2	3617675M1	1	Strap	
3	3001162X1	2	Screw	
4	339102X1	2	Washer Metric	
5	1443615X1	2	Nut Metric	
6	3618250M3	1	Harness	
7	3619622M1	X	Tie	
8		1	Harness	See Page - Reference Number 250/2
9	3618255M1	1	Harness	Up to Serial or Engine Number B090027 Not serviced, order REF 6
10	3618249M1	1	Inductive Taker	
11	3618604M91	1	Fuse Holder	
12	3620023M1	1	Fuse	(11) 5A
13	1440012X1	1	Gasket	



MASSEY FERGUSON**MF 3690 TRACTOR - 1637223****1637223****DYNASHIFT-ELECTRICAL WIRING - FROM B125022 (DYNASHIFT)****364**

Item	Part Number	Qty	Description	Comments
				FROM B125022 (DYNASHIFT)
1		1	Harness	See Page - Reference Number 250/2
2	3618601M1	1	Harness	Up to Serial or Engine Number B279017
	3619969M1	1	Harness	From Serial or Engine Number B279018
3	3619622M1	X	Tie	
4	3618249M1	1	Inductive Taker	
5	1440012X1	1	Gasket	
6	3618603M1	1	Harness	

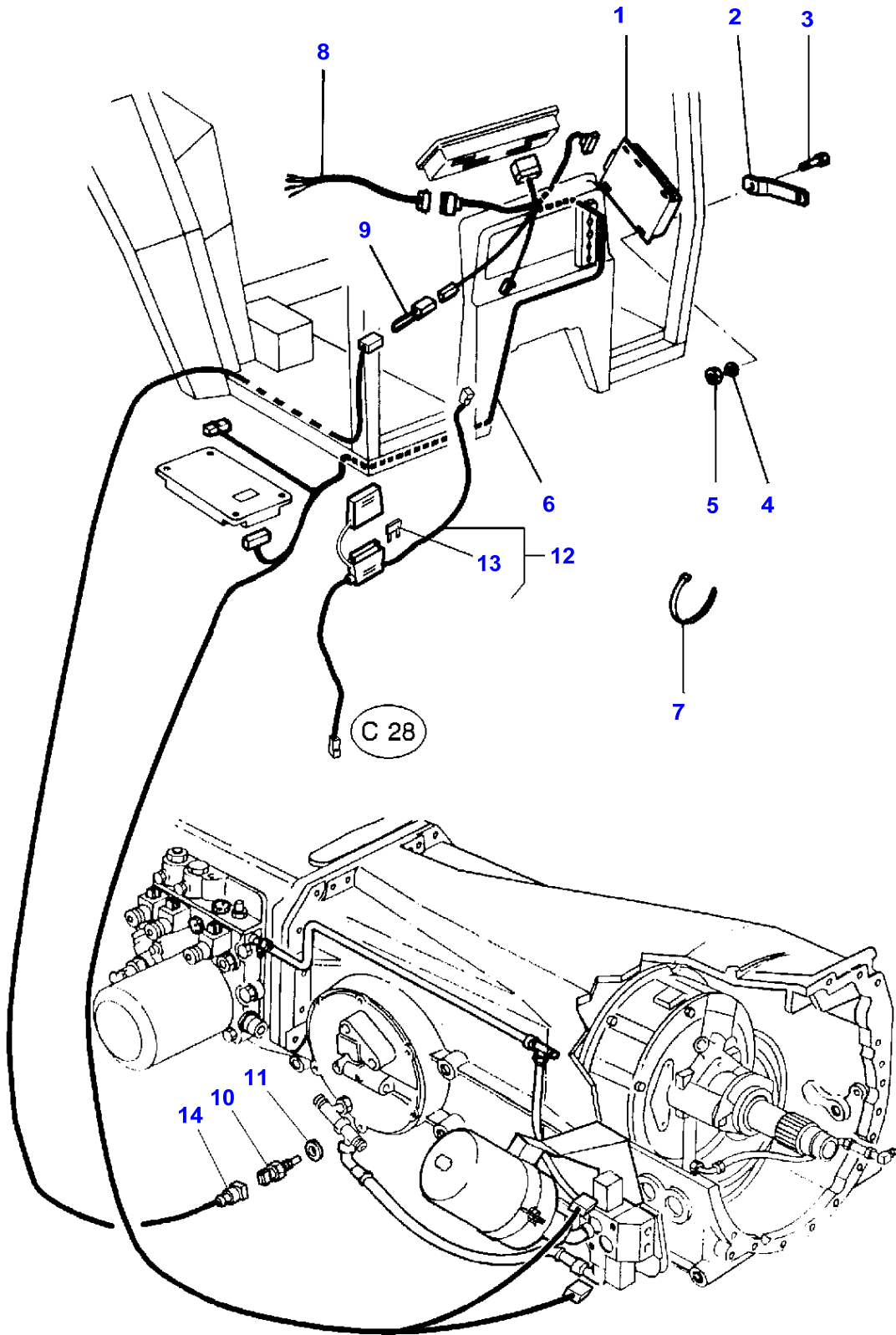
1-AU62-011



MASSEY FERGUSON**MF 3690 TRACTOR - 1637223****1637223****DYNASHIFT-ELECTRICAL WIRING - UP TO NO A295034****365**

Item	Part Number	Qty	Description	Comments
				UP TO NO A295034
1	3617668M1	1	Switch Box	30KM/H
	3617625M1	1	Switch Box	40KM/H
2	3617675M1	1	Strap	
3	3001162X1	2	Screw	
4	339102X1	2	Washer Metric	
5	1443615X1	2	Nut Metric	
6	3618139M1	1	Harness	
7	3619622M1	X	Tie	
8		1	Harness	See Page - Reference Number 250/2
9	3618604M91	1	Fuse Holder	From Serial or Engine Number A107032
10	3620023M1	1	Fuse	(9) 5A
11	3019426X1	1	Plug	M14X1,5
12	1440012X1	1	Gasket	

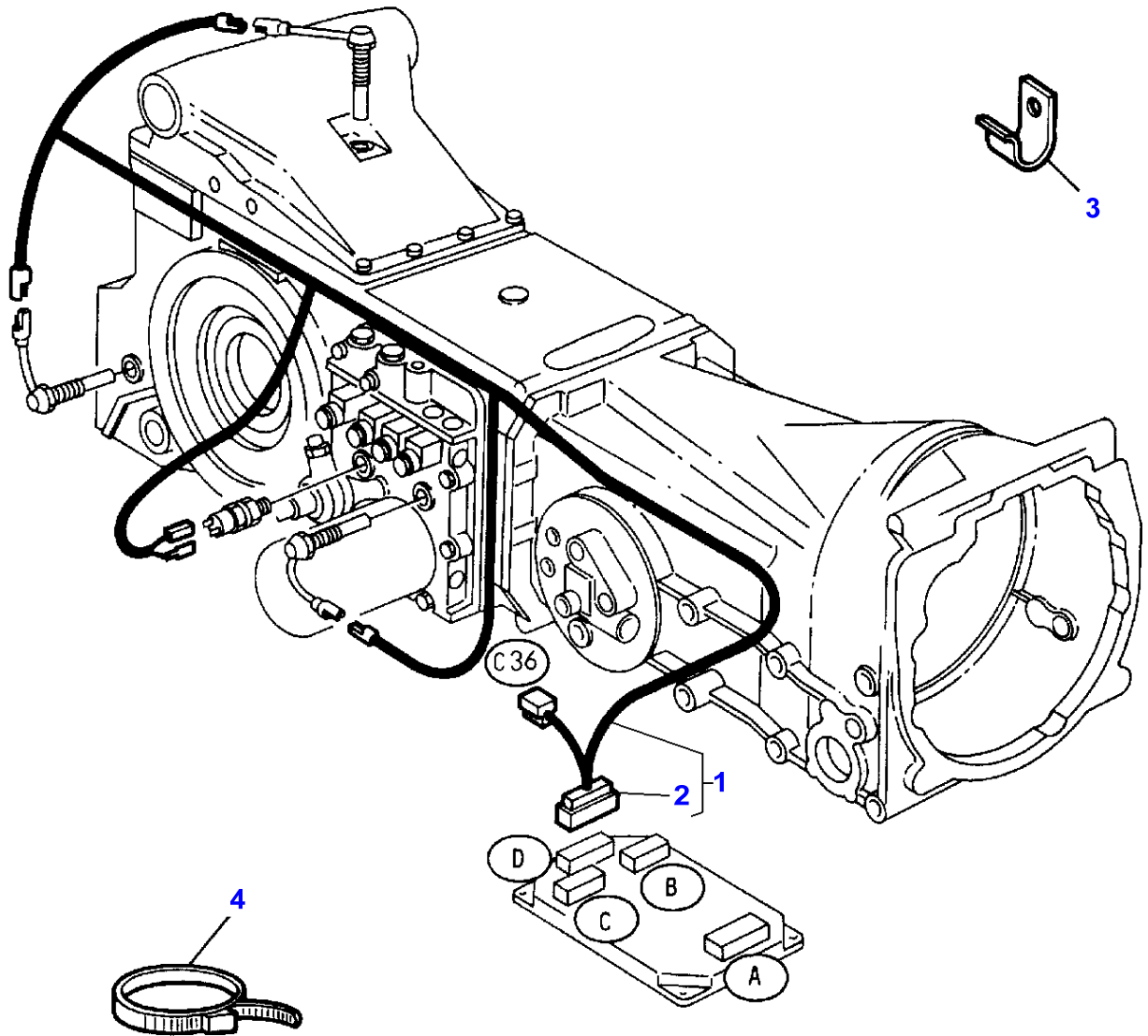
1-AU62-012



MASSEY FERGUSON**MF 3690 TRACTOR - 1637223****1637223****DYNASHIFT-ELECTRICAL WIRING - WITH TEMPERATURE SENSOR FROM NO A295035 - UP TO NO A309026****366**

Item	Part Number	Qty	Description	Comments
				WITH TEMPERATURE SENSOR FROM NO A295035 - UP TO NO A309026
1	3618285M3	1	Switch Box	30KM/H
	3618283M2	1	Switch Box	40KM/H
2	3617675M1	1	Strap	
3	3001162X1	2	Screw	
4	339102X1	2	Washer Metric	
5	1443615X1	2	Nut Metric	
6	3618250M3	1	Harness	
7	3619622M1	X	Tie	Length 390MM
8		1	Harness	See Page - Reference Number 250/2
9	3618287M1	1	Harness	
10	3618249M1	1	Inductive Taker	
11	1440012X1	1	Gasket	
12	3618604M91	1	Fuse Holder	
13	3620023M1	1	Fuse	(12) 5A
14	3618255M1	1	Harness	[A] Up to Serial or Engine Number Not serviced, order REF 6
				[A] NO CONNECTED

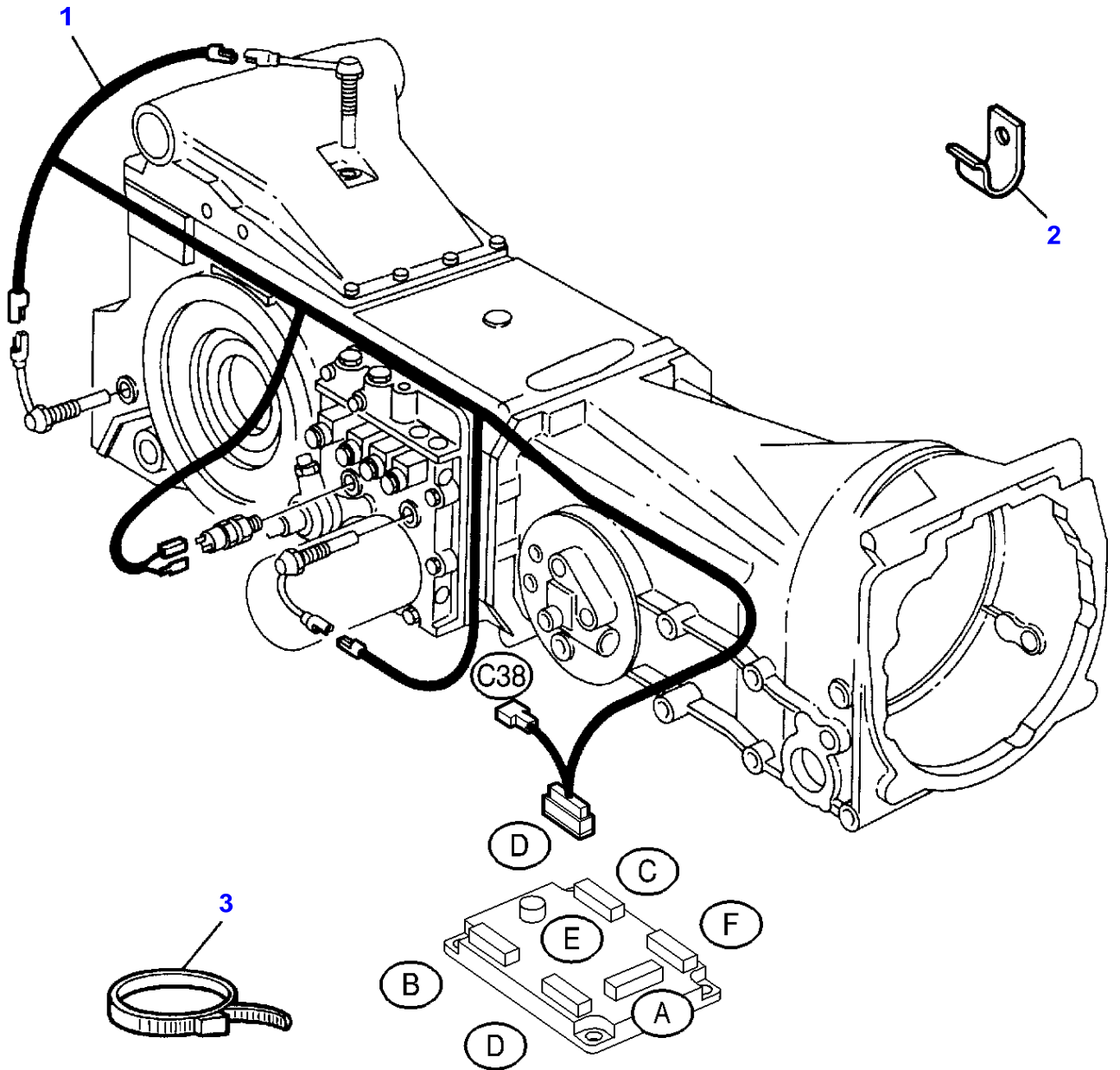
1-AW07-502-A



MASSEY FERGUSON**MF 3690 TRACTOR - 1637223****1637223****SENSORS HARNESS - UP TO B165012 (SPEEDSHIFT) OR B125021 (DYNASHIFT)****367**

Item	Part Number	Qty	Description	Comments
				UP TO B165012 (SPEEDSHIFT) OR B125021 (DYNASHIFT)
1	3583283M1	1	Harness	
2	3715484M1	1	Connectors	(1)
3	3583344M1	1	Strap	
4	3619622M1	1	Tie	

1-AW07-007



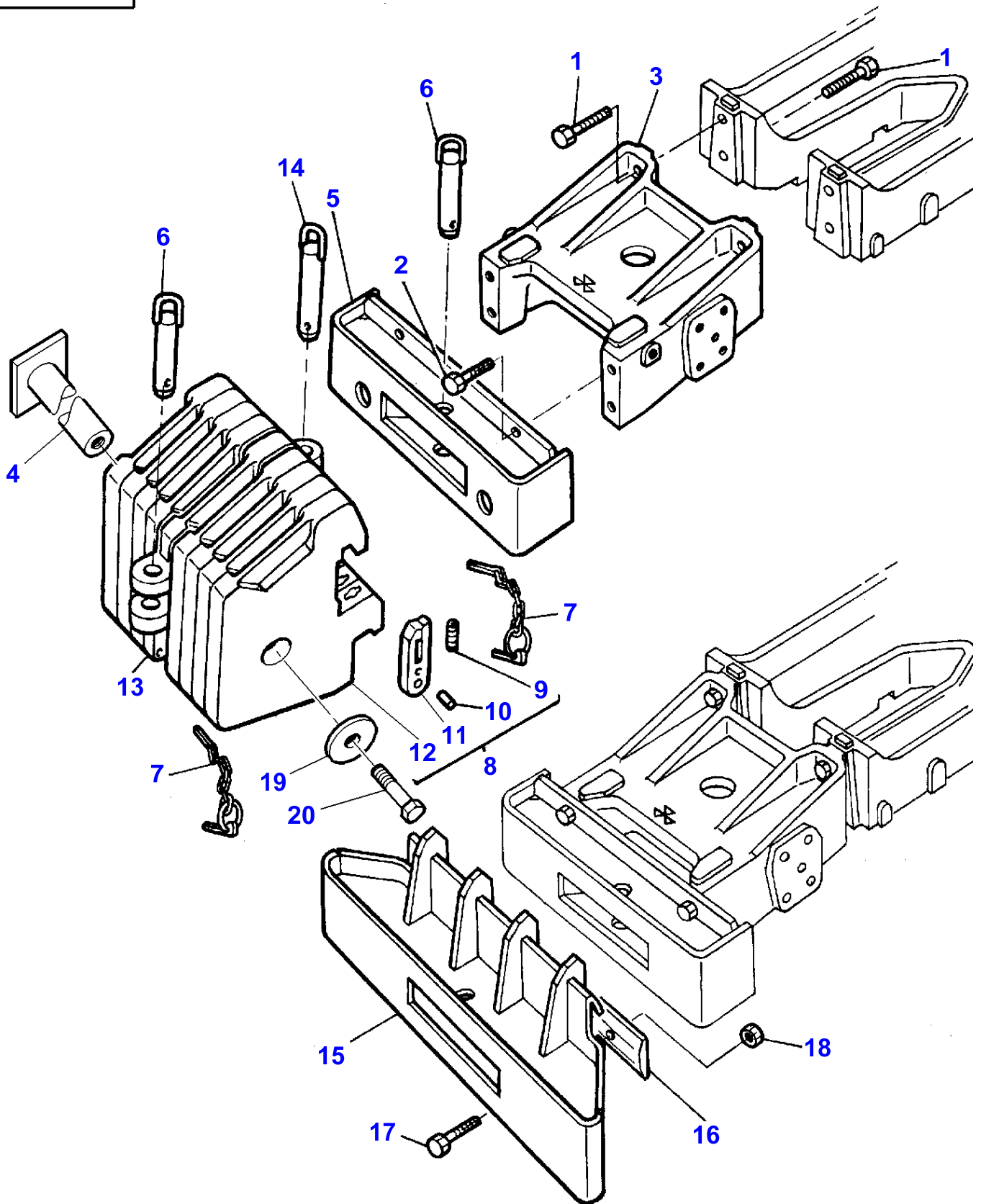
MASSEY FERGUSON**MF 3690 TRACTOR - 1637223****1637223****SENSORS HARNESS - FROM B165013 (SPEEDSHIFT) OR B125022 (DYNASHIFT)****368**

Item	Part Number	Qty	Description	Comments
------	-------------	-----	-------------	----------

1	3618346M1	1	Harness	
2	3583344M1	1	Strap	
3	3619622M1	X	Tie	

FROM B165013 (SPEEDSHIFT) OR B125022 (DYNASHIFT)

1-AX15-017



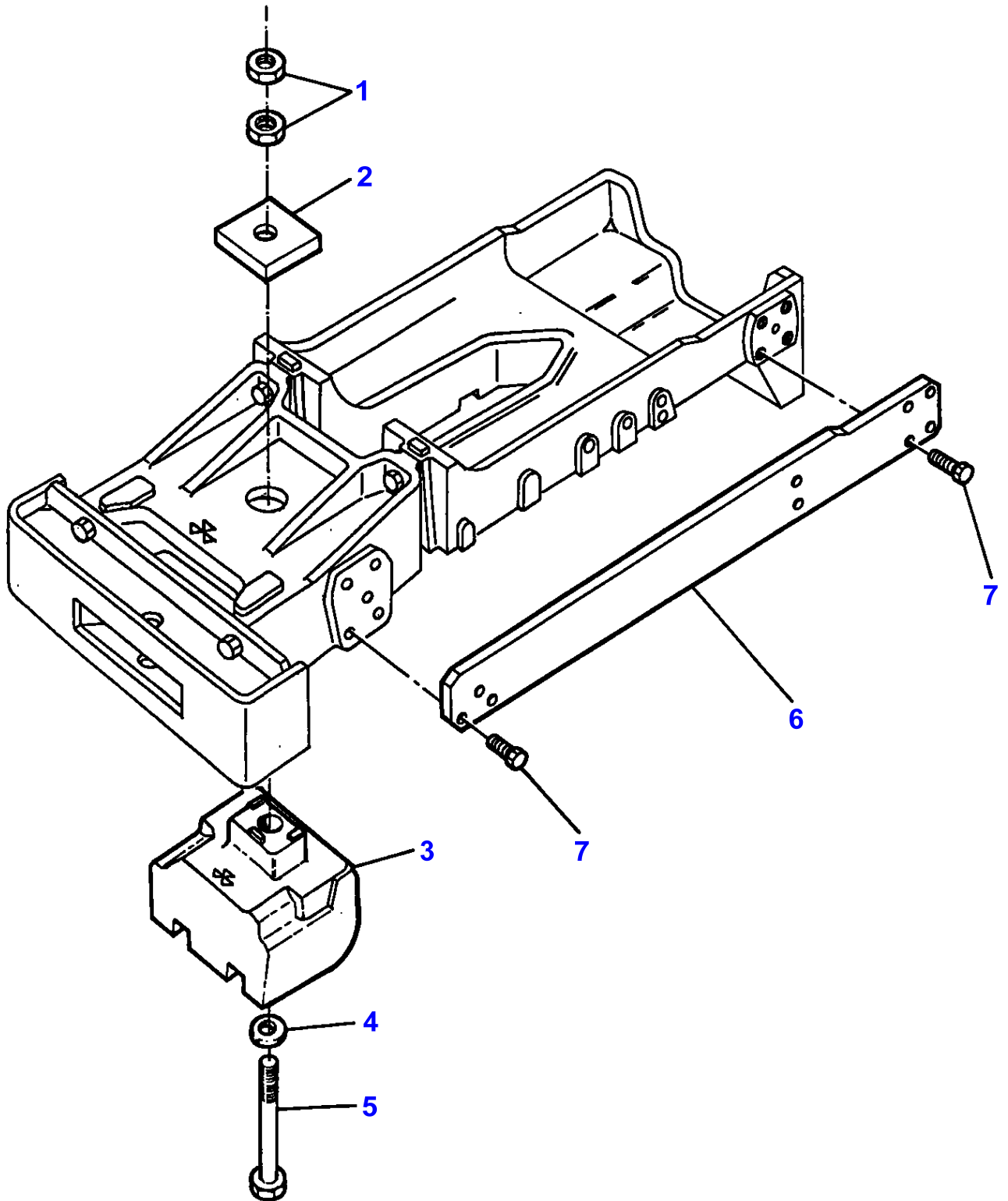
WEIGHT FRAME AND TOW PIN

Item	Part Number	Qty	Description	Comments
1	3580231M1	4	Screw	M20X75
2	1441704X1	4	Screw Metric	M20X40
	1441590X1	4	Bolt Metric	[B] M20X50
3	3580337M2	1	Spacer	(1)
4	3618713M1	1	Bridle	(1) Length 478MM
4	3618712M1	1	Bridle	(1) Length 558MM
4	3619728M1	1	Bridle	(1) Length 343MM
5	3580888M2	1	Support	(1)
5	3580888M2	1	Support	(1) 3583430M2
				For Germany only or any text in German only 3583430M2
6	3387270M91	1	Pin Hitch	(1) Length 171,5MM
7	3382812M91	1	Pin	
8	1681772M91	X	Front Weight	Thickness 50MM 45KG
8	3582867M92	12	Weight	Thickness 35MM 45KG
8	3582867M92	17	Weight	Thickness 35MM 45KG
8	3582867M92	14	Weight	Thickness 35MM 45KG
8	3582867M92	10	Weight	Thickness 35MM 45KG
8	3582867M92	8	Weight	Thickness 35MM 45KG
9	1680172M1	1	Spring	(8)
10	390932X1	1	Pin	(8)
11	3581636M1	1	Hasp	(8)
12		1	Weight	(8) Not serviced, order REF NO 8
13	3382789M3	1	Weight	
14	3382813M91	1	Pin Hitch	Length 215MM
15	3580894M94	1	Frame	[A] Up to Serial or Engine Number B096001
16	3580897M2	1	Plate	Up to Serial or Engine Number B096001
17	391889X1	2	Screw	Up to Serial or Engine Number B096001
18	339034X1	2	Nut Metric	Up to Serial or Engine Number B096001
19	3385963M1	1	Washer	
20	1441685X1	1	Screw Metric	M16X60
	3000171X1	1	Screw Metric	M16X90
	3008823X1	1	Screw Metric	M16X80

[A]
FOR WEIGHT 50MM ONLY

[B]
DRIVE FRONT PTO

1-AJ07-004



MASSEY FERGUSON**MF 3690 TRACTOR - 1637223**

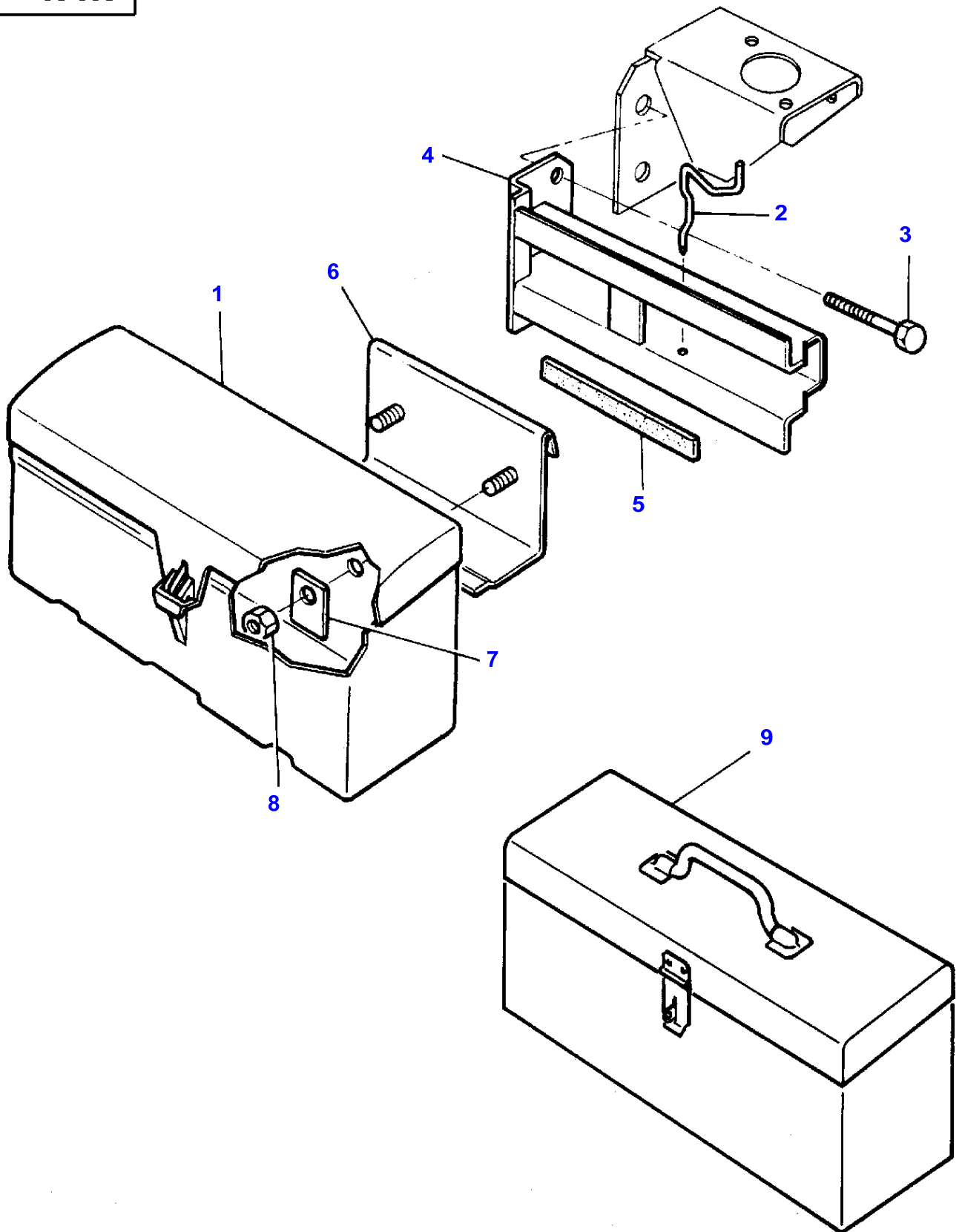
1637223

370

BELLY WEIGHT

Item	Part Number	Qty	Description	Comments
1	3009747X1	2	Nut	Diameter M20
2	3582607M1	1	Washer	
3	3582608M2	1	Weight	300KG
4	3384348M1	1	Washer	
5	3386471M1	1	Screw	Diameter M20 Length 365MM
6	3615505M3	1	Reinforcement	Left Hand
	3615506M3	1	Reinforcement	Right Hand
7	391328X1	18	Screw Metric	M20X65

1-AR08-008



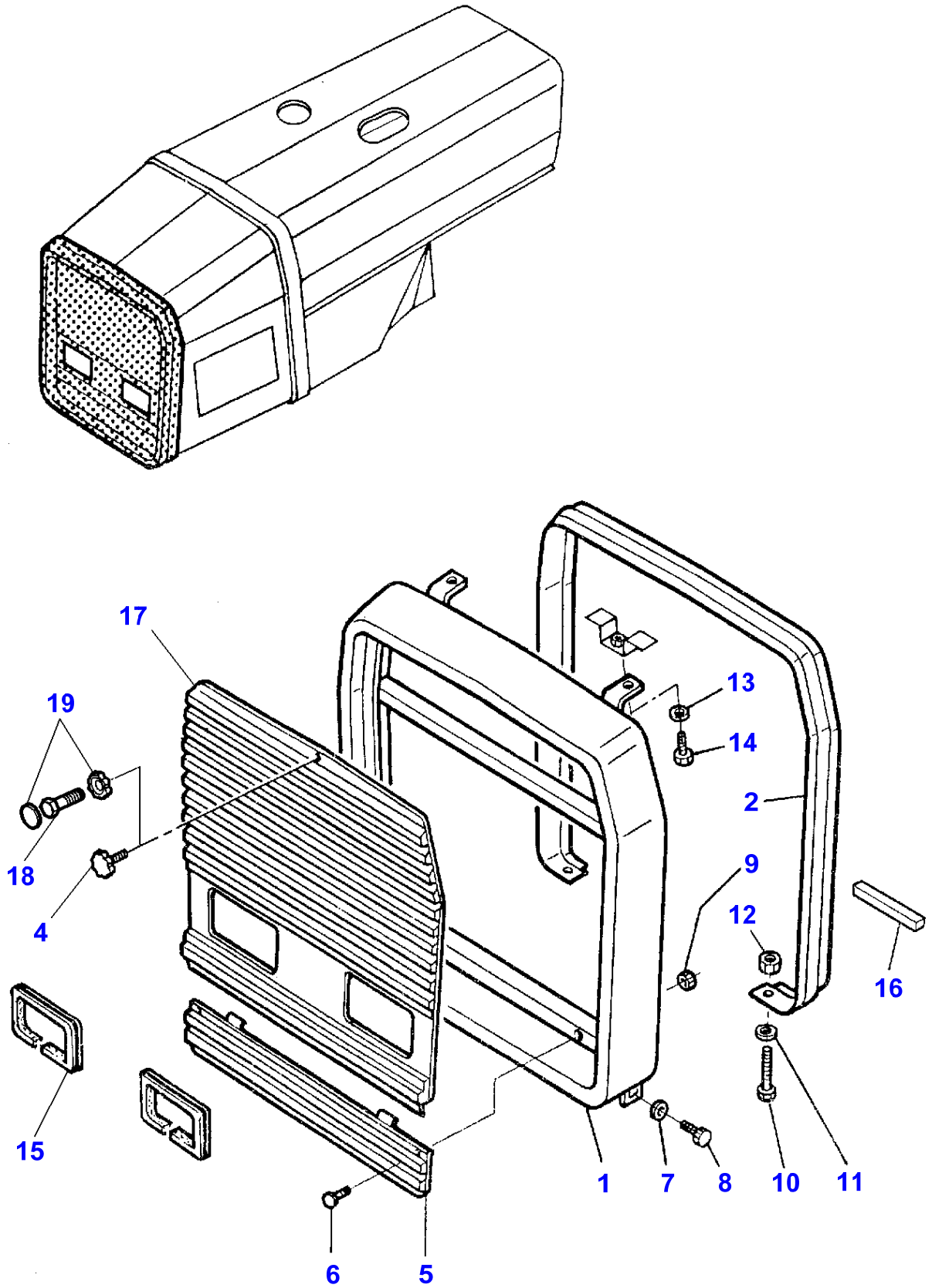
TOOL BOX

Item	Part Number	Qty	Description	Comments
1	1696186M91	1	Tool Box	[A]
2	3580564M1	1	Eccentric	
3	339275X1	2	Screw Metric	M16 X 35 MM
4	3580565M97	1	Support	
5	3580639M1	1	Gasket	
6	3580560M93	1	Stiffener	
7	3580162M1	2	Counterplate	
8	339402X1	2	Nut Metric	
9	3616340M1	1	Tool Box	[B]

[A]
PLASTICS

[B]
METAL

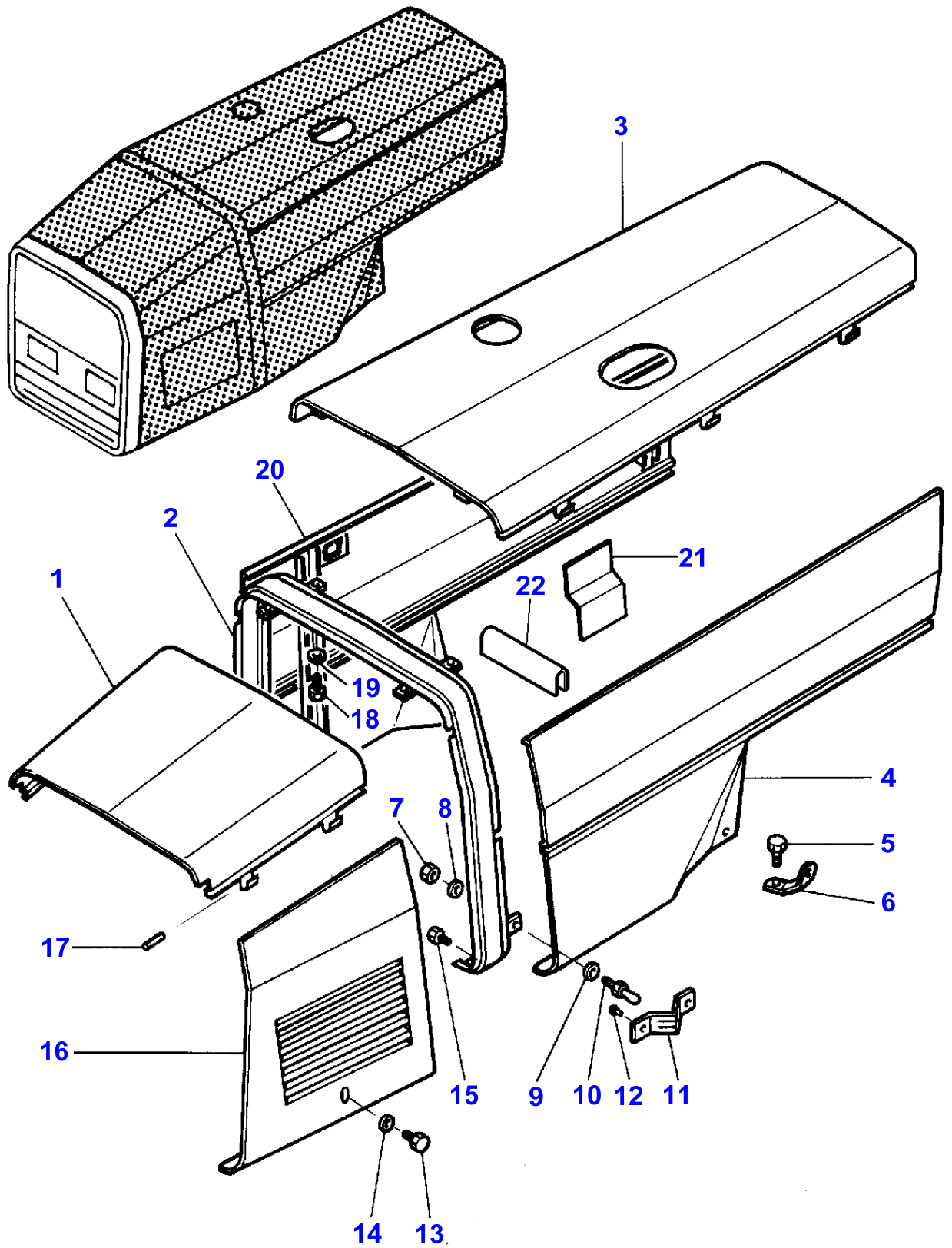
1-AR02-013



SHEET METAL-GRILLE

Item	Part Number	Qty	Description	Comments
1	3615714M3	1	Screen	
2	3581233M1	1	Gasket	
4	3615716M1	1	Button	Up to Serial or Engine Number B242012
5	3581189M1	1	Grille	Up to Serial or Engine Number B168004
	3618888M1	1	Grille	From Serial or Engine Number B168005
6	339560X1	4	Screw Metric	
7	390734X1	2	Washer Metric	
8	339081X1	2	Screw Metric	
9	339030X1	4	Nut Metric	
10	1440827X1	2	Screw	
11	390971X1	2	Washer Metric	
12	390995X1	2	Nut Metric	
13	390972X1	2	Washer Metric	
14	339228X1	2	Screw Metric	
15	3389462M1	2	Gasket	
16	3380724M1	2	Gasket	Length 75MM
17	3615715M1	1	Grille	Up to Serial or Engine Number B168004
	3618887M1	1	Grille	From Serial or Engine Number B168005
18	339761X1	1	Screw Metric	M8X25
				From Serial or Engine Number B242013
19	3619241M1	1	Button	From Serial or Engine Number B242013

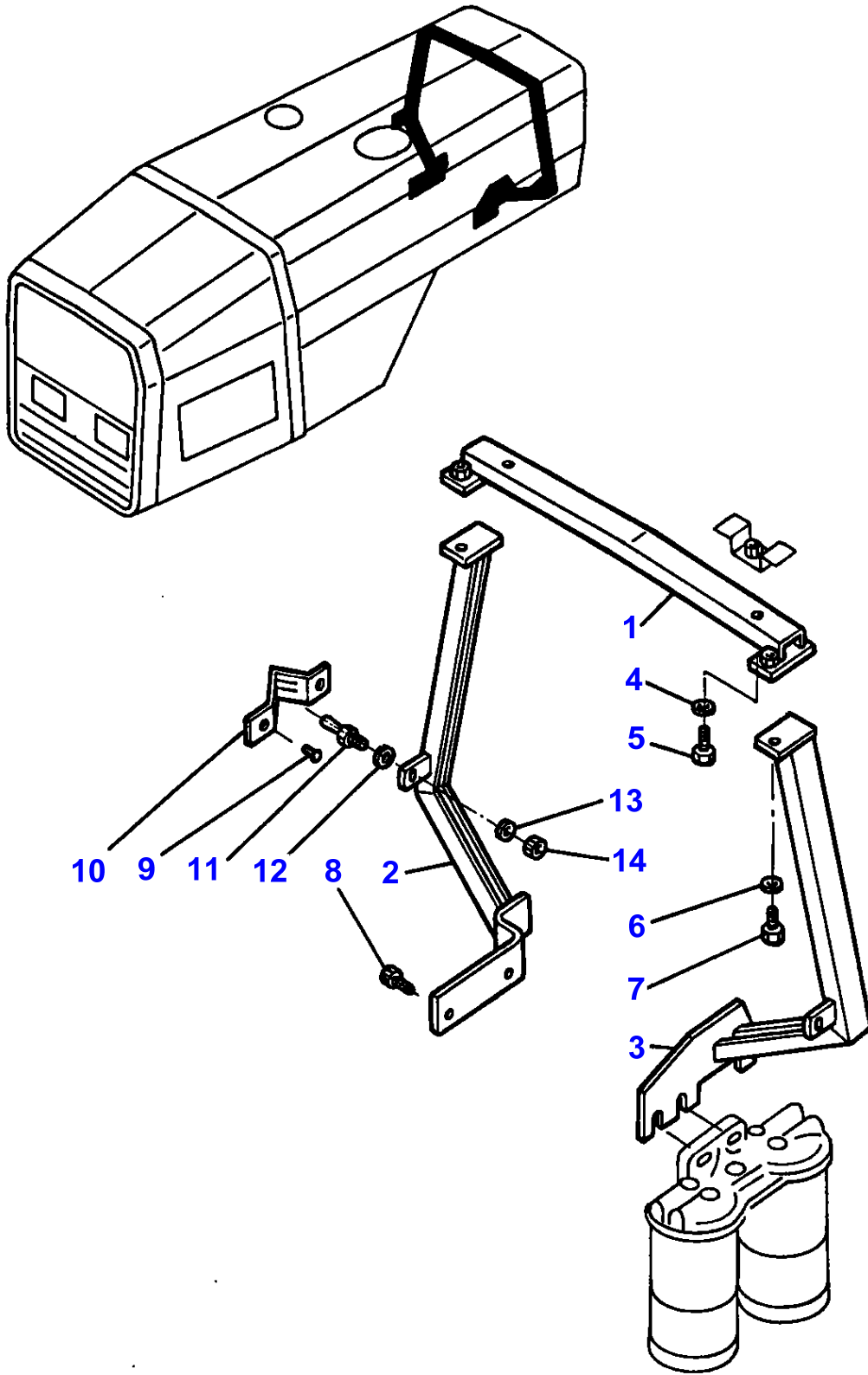
1-AR03-038



SHEET METAL-HOOD

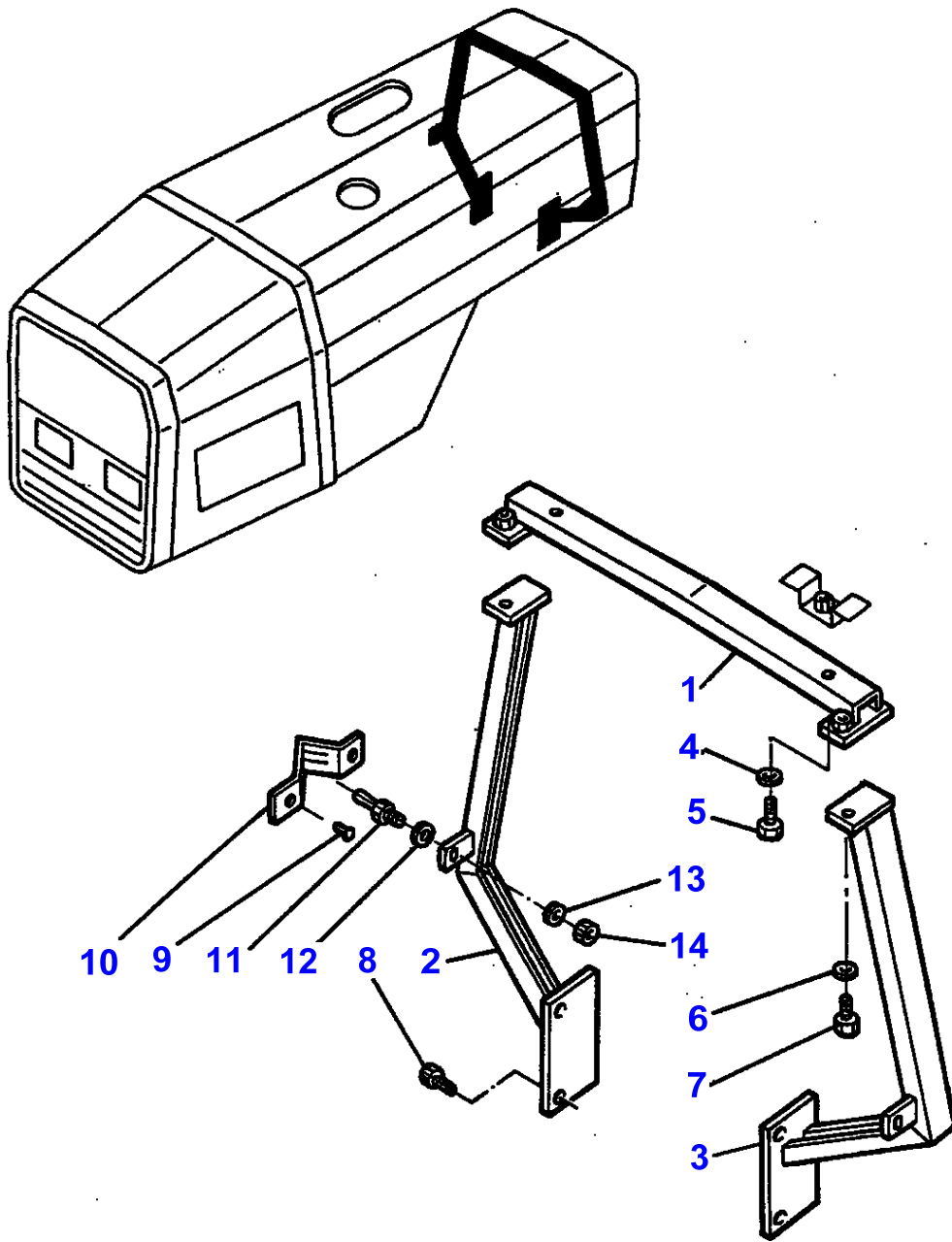
Item	Part Number	Qty	Description	Comments
1	3581202M2	1	Bonnet	
2	3581195M2	1	Support	
3	3581200M1	1	Bonnet	Up to Serial or Engine Number C146005
	3616937M1	1	Bonnet	From Serial or Engine Number C146006
4	3581210M1	1	Panel	Left Hand
5	339228X1	2	Screw Metric	
6	3581230M1	1	Strap	Right Hand
	3581231M1	1	Strap	Left Hand
7	1441500X1	2	Locknut	
8	391038X1	2	Washer Metric	
9	391038X1	2	Washer Metric	
10	3581423M1	2	Stud	
11	3388153M1	2	Clamp	
12	3010021X1	4	Rivet	
13	339228X1	2	Screw Metric	
14	390972X1	2	Washer Metric	
15	339228X1	2	Screw Metric	
16	3581204M1	1	Panel	Right Hand
				Up to Serial or Engine Number B168004
16	3581203M1	1	Panel	Left Hand
				Up to Serial or Engine Number B168004
16	3618890M1	1	Panel	Right Hand
				From Serial or Engine Number B168005
16	3618889M1	1	Panel	Left Hand
				From Serial or Engine Number B168005
17	3581340M1	10	Shock Absorber	
18	339228X1	4	Screw Metric	M8X12MM
19	390972X1	4	Washer Metric	
20	3581211M1	1	Panel	Right Hand
21	3619049M1	1	Protector	Length 655X370 MM
				3615508M1
21	3617863M1	1	Protector	Length 900X200 MM
	3619049M1	1	Protector	Length 900X370 MM
				3615508M1
22	3580695M1	1	Gasket	Length 150MM

1-AR03-008



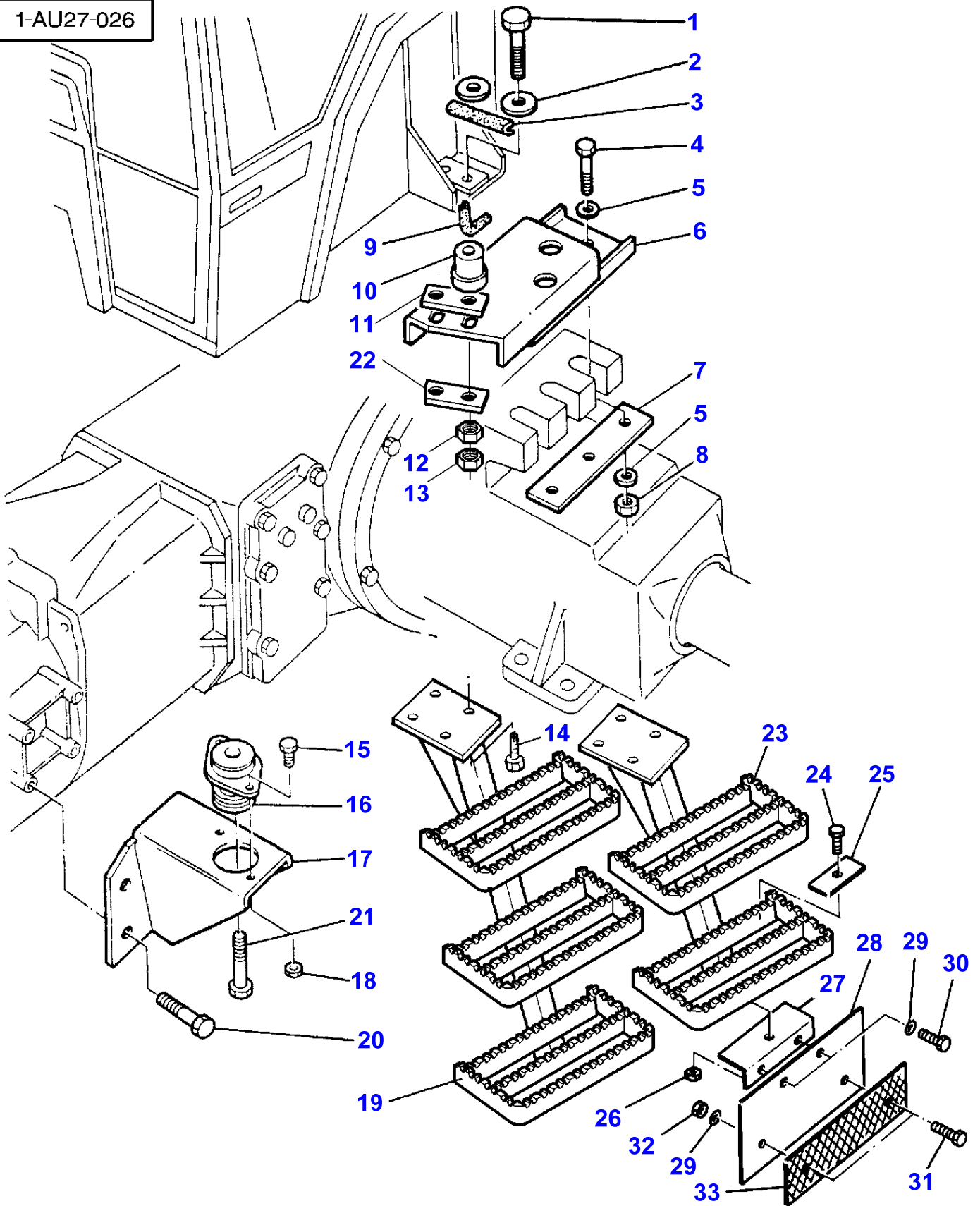
Item	Part Number	Qty	Description	Comments
				BRACKETS AND ASSEMBLING PARTS UP TO SERIAL C146005
1	3581227M2	1	Support	
2	3581224M3	1	Support	
3	3581223M2	1	Support	
4	390972X1	2	Washer Metric	
5	339228X1	2	Screw Metric	
6	390972X1	2	Washer Metric	
7	339228X1	2	Screw Metric	
8	339139X1	2	Screw Metric	
9	3010021X1	4	Rivet	
10	3388153M1	2	Clamp	
11	3581423M1	2	Stud	
12	391038X1	2	Washer Metric	
13	391038X1	2	Washer Metric	
14	1441500X1	2	Locknut	

1-AR03-018



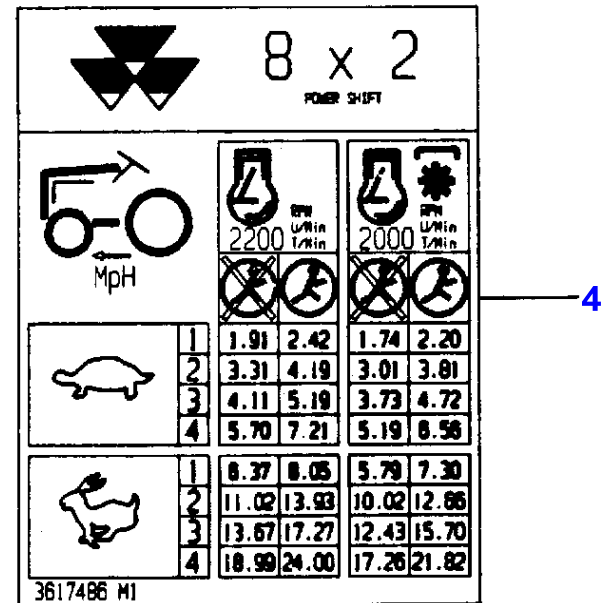
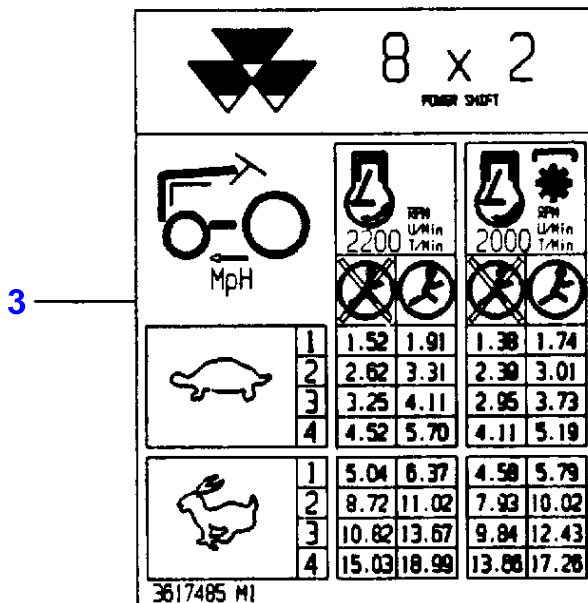
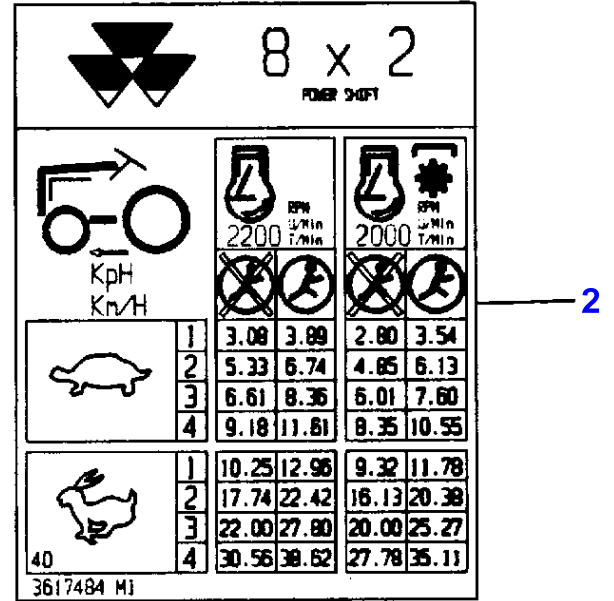
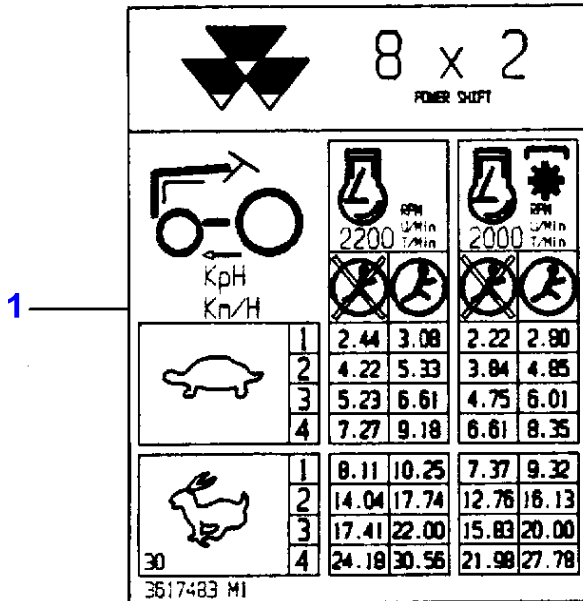
Item	Part Number	Qty	Description	Comments
				BRACKETS AND ASSEMBLING PARTS FROM NO C146006
1	3581227M2	1	Support	
2	3616935M1	1	Support	
3	3616936M1	1	Support	
4	390972X1	2	Washer Metric	
5	339228X1	2	Screw Metric	
6	390972X1	2	Washer Metric	
7	339228X1	2	Screw Metric	
8	339139X1	2	Screw Metric	
9	3010021X1	4	Rivet	
10	3388153M1	2	Clamp	
11	3581423M1	2	Stud	
12	391038X1	2	Washer Metric	
13	391038X1	2	Washer Metric	
14	1441500X1	2	Locknut	

1-AU27-026



Item	Part Number	Qty	Description	Comments
				CAB / PLATEFORME BRACKETS
1	339805X1	4	Bolt Metric	M16X90
2	3385963M1	4	Washer	
3	3581281M1	2	Gasket	Length 140MM
4	390864X1	6	Bolt Metric	M16X80
5	353774X1	12	Washer	Diameter 5/8
6	3616363M1	1	Support	Left Hand
	3616364M1	1	Support	Right Hand
7	1625026M1	2	Shim	
8	339034X1	6	Nut Metric	Diameter M16
9	3581280M1	2	Gasket	Length 60MM
10	1612171M1	4	Shock Absorber	
11	3387024M1	2	Chock	
12	339495X1	4	Nut	Diameter M16
13	339034X1	4	Nut Metric	Diameter M16
14	339018X1	1	Bolt Metric	M10X40
	3009493X1	7	Screw Metric	M10X30
15	339401X1	4	Screw Metric	M10X25
16	3388271M92	2	Buffer	
17	3389700M91	1	Support	Left Hand
	3389719M91	1	Support	Right Hand
18	3009693X1	4	Nut Metric	Diameter M10
19	3618867M91	1	Step	Left Hand
	3618866M91	1	Step	Right Hand
20	391269X1	6	Screw Metric	M16X30
21	3388474M1	2	Screw	M16X80
22	3617268M1	2	Chock	
23	3618877M91	1	Step	Left Hand
	3618876M91	1	Step	Right Hand
24	391176X1	2	Screw Metric	For Sweden M8X40
25	3615904M1	2	Bridle	For Sweden
26	394367X1	2	Locknut	For Sweden
27	3615912M91	2	Support	For Sweden
28	3615903M1	2	Rubber	For Sweden
29	3019560X1	8	Washer	For Sweden
30	390990X1	4	Screw Metric	For Sweden M5X12
31	3000926X1	4	Screw	For Sweden TR M5X10
32	390995X1	4	Nut Metric	For Sweden
33	304574V00	2	Reflector	For Sweden Up to Serial or Engine Number 06/94
33	3713522M1	2	Reflector	For Sweden From Serial or Engine Number 06/94

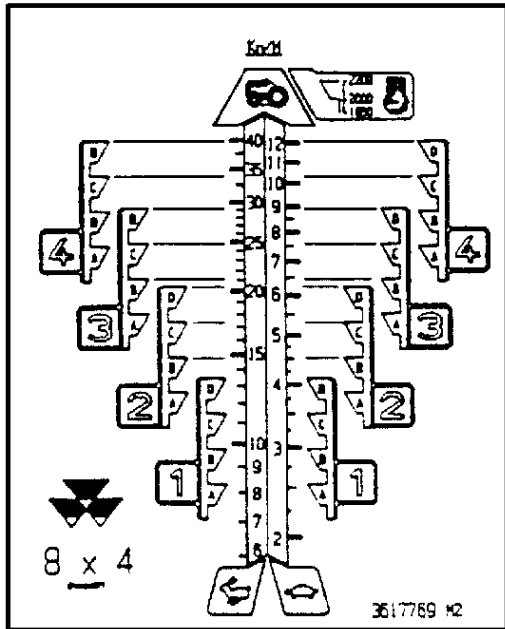
1-AR12-014



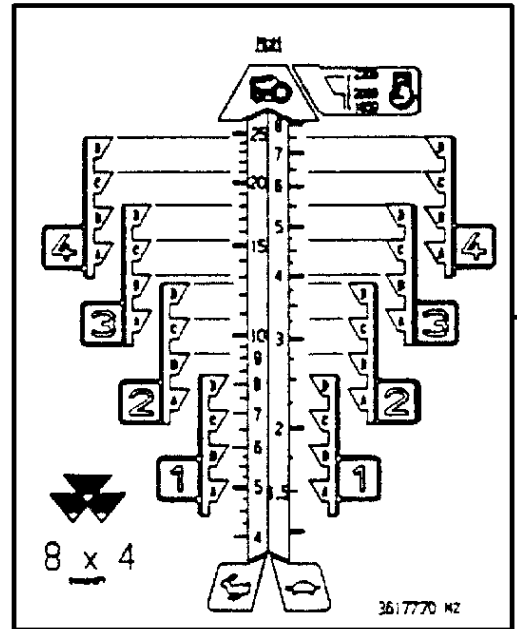
MASSEY FERGUSON**MF 3690 TRACTOR - 1637223****1637223****377****DECALS-SPEED CHARTS**

Item	Part Number	Qty	Description	Comments
1	3617483M1	1	Decal	EN KM/H (30KM/H)
2	3617484M1	1	Decal	EN KM/H (40KM/H)
3	3617485M1	1	Decal	EN MP/H (30KM/H)
4	3617486M1	1	Decal	EN MP/H (40KM/H)

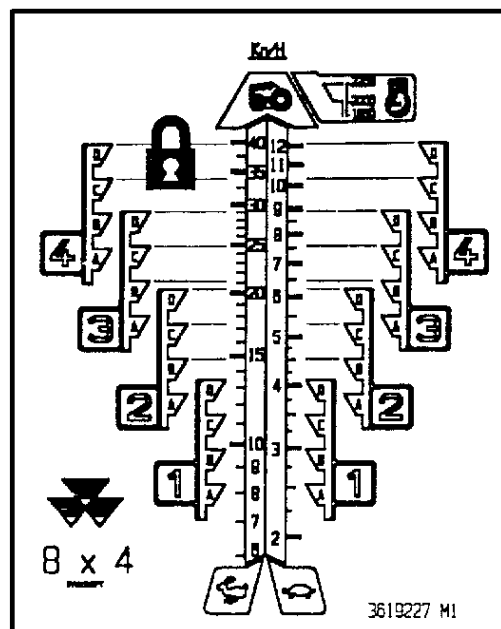
1-AR12-025



1



2



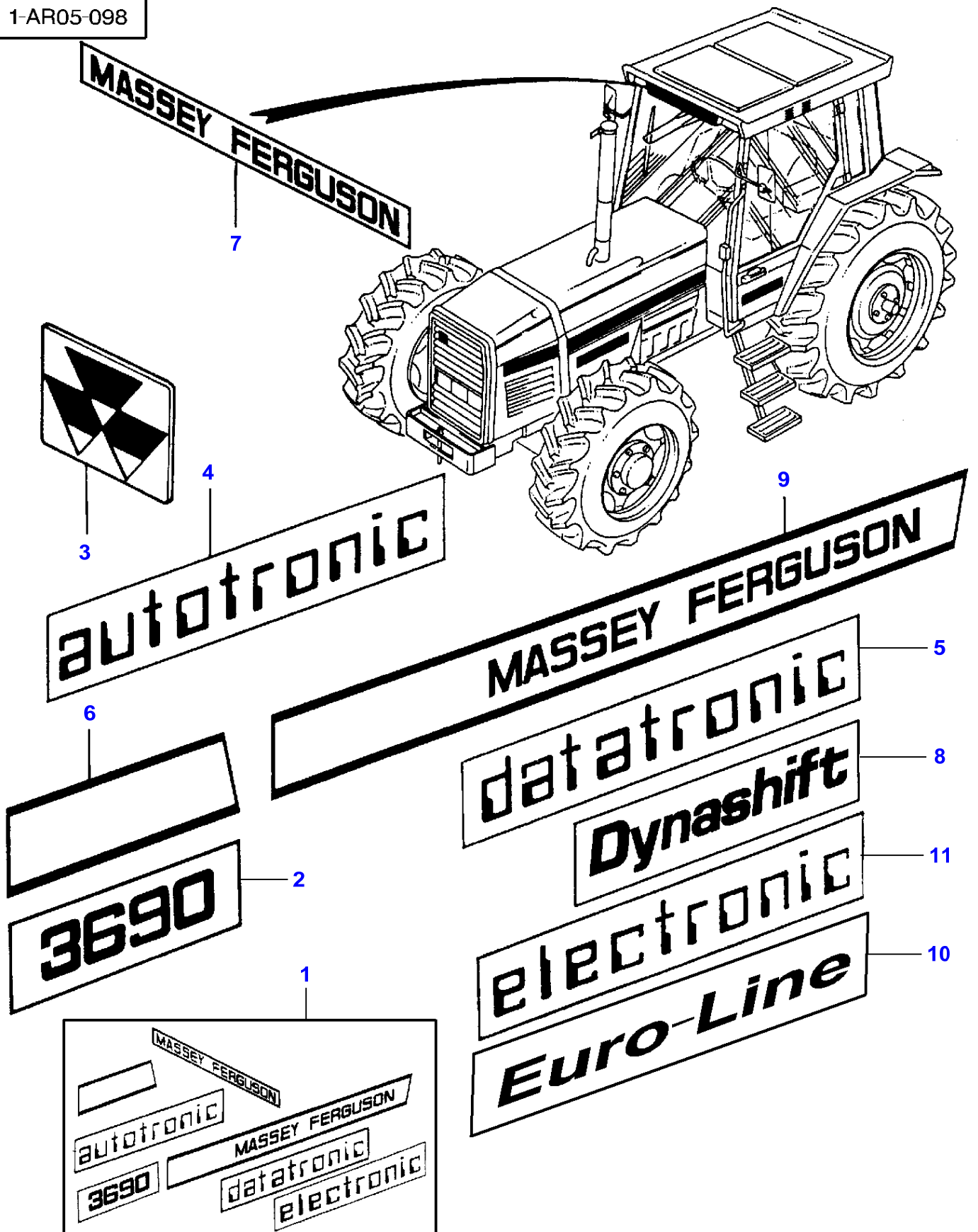
3

MASSEY FERGUSON**MF 3690 TRACTOR - 1637223****1637223****DECALS-SPEED CHARTS - DYNASHIFT****378**

Item	Part Number	Qty	Description	Comments
------	-------------	-----	-------------	----------

1	3617769M2	1	Decal	40 KM/H
2	3617770M2	1	Decal	40 MP/H
3	3619227M1	1	Decal	30 KM/H

1-AR05-098

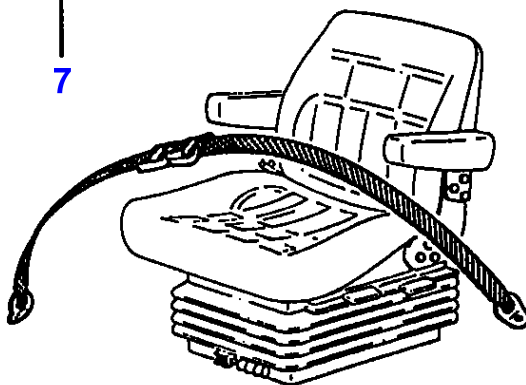
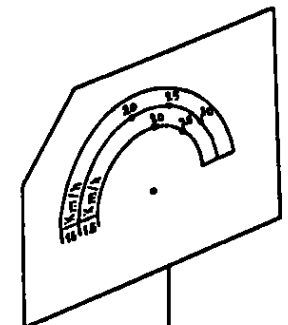
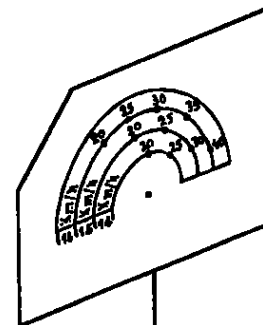
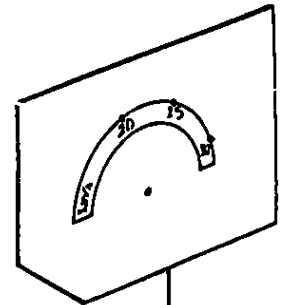
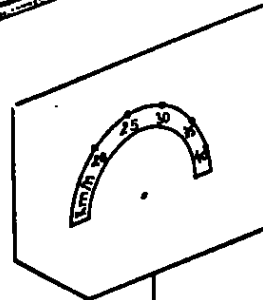
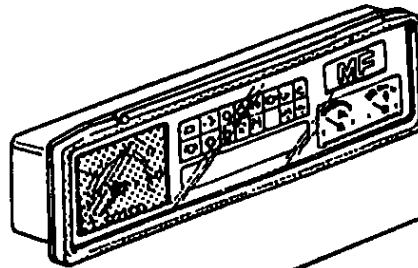
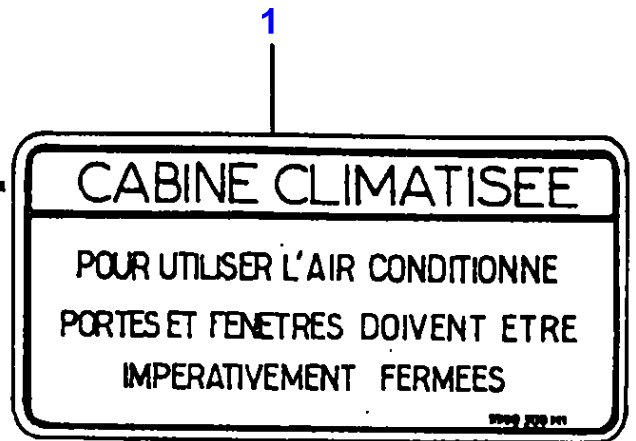
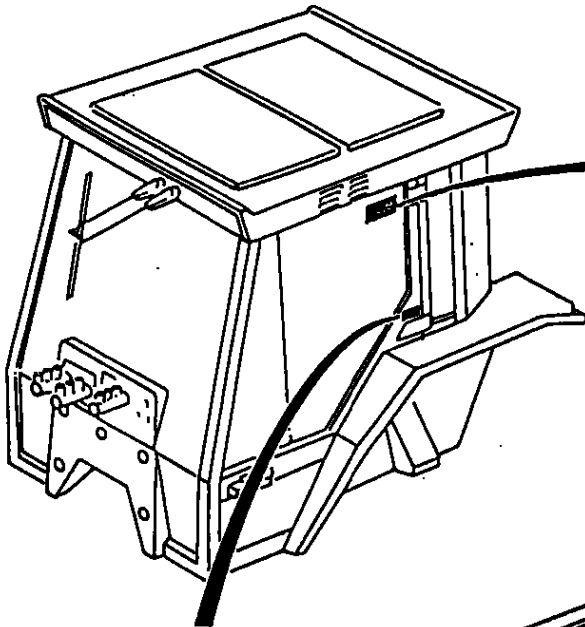


EMBLEMS

Item	Part Number	Qty	Description	Comments
1	3900532M91	1	Kit, Decal	
2		2	Decal	(1) Not serviced, order 3900532M91
3	3618969M91	1	Emblem	
4		2	Decal	[A] (1) Not serviced, order 3900532M91 From Serial or Engine Number
5		2	Decal	(1) Not serviced, order 3900532M91
6		1	Decal	(1) Right Hand Not serviced, order 3900532M91
6		1	Decal	(1) Left Hand Not serviced, order 3900532M91
7		1	Decal	(1) Not serviced, order 3900532M91
8	3618337M1	2	Decal	
9		1	Decal	(1) Right Hand Not serviced, order 3900532M91
9		1	Decal	(1) Left Hand Not serviced, order 3900532M91
10	3619097M1	2	Decal	For Germany only or any text in German only
11		2	Decal	(1) Not serviced, order 3900532M91

[A]
BLACK

1 - AR11 - 012



DECALS

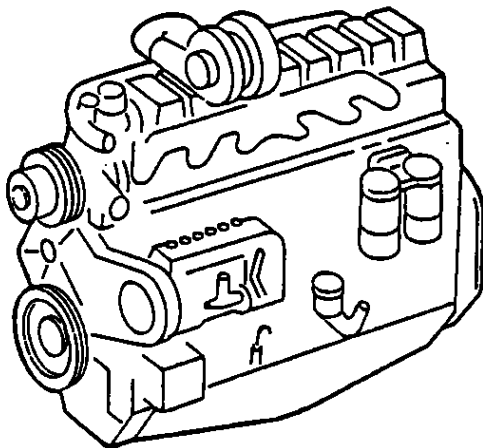
Item	Part Number	Qty	Description	Comments
1	3580308M1	1	Decal	For France only or any text in French only Up to Serial or Engine Number 03/94
1	3580309M1	1	Decal	For UK only or any text in English only Up to Serial or Engine Number 03/94
1	3580310M1	1	Decal	For Germany only or any text in German only Up to Serial or Engine Number 03/94
1	3580915M1	1	Decal	For Italy only or any text in Italian only Up to Serial or Engine Number 03/94
1	3580916M1	1	Decal	[A] Up to Serial or Engine Number 03/94
1	3581718M1	1	Decal	[C] Up to Serial or Engine Number 03/94
1	3619471M1	1	Decal	From Serial or Engine Number 03/94
2	3616042M1	1	Decal	[B] 30 KM/H
3	3616041M1	1	Decal	[B] 40 KM/H
4	3616040M1	1	Decal	30 KM/H
5	3616039M1	1	Decal	For Germany only or any text in German only [B] 40 KM/H
6	3596043M1	1	Decal	For Germany only or any text in German only
	3595689M1	1	Decal	For France only or any text in French only
	3597453M1	1	Decal	For UK only or any text in English only
	3597453M1	1	Decal	For Italy only or any text in Italian only
	3596050M1	1	Decal	[A]
	3597454M1	1	Decal	[C]
7	539612M2	1	Decal	For France only or any text in French only
	523784M3	1	Decal	For UK only or any text in English only
	3596053M1	1	Decal	[A]
	3597443M1	1	Decal	For Germany only or any text in German only
	3597444M1	1	Decal	For Italy only or any text in Italian only
	3597445M1	1	Decal	[C]

[A]
ARABIC

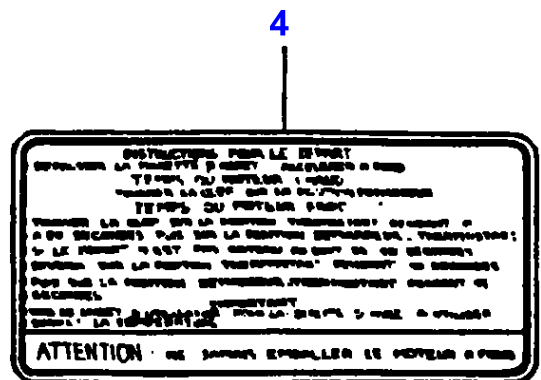
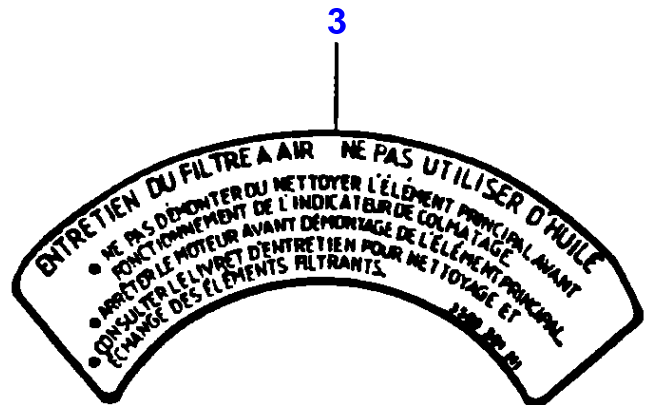
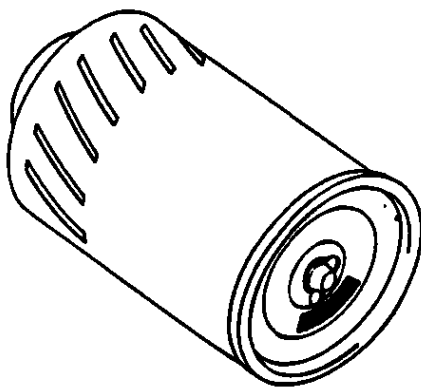
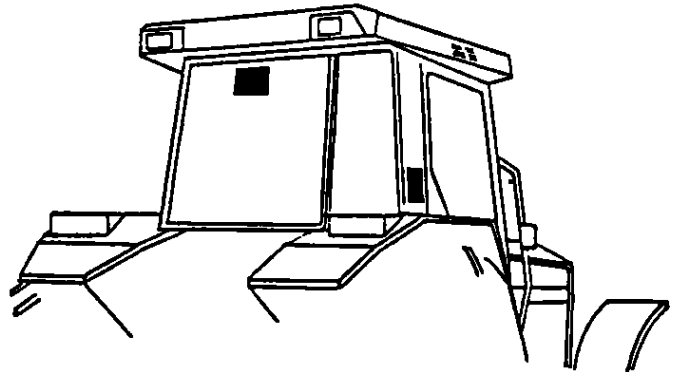
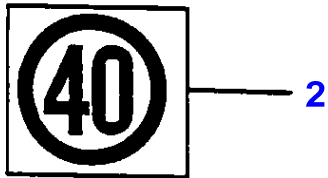
[B]
AUSTRIA

[C]
SPANISH

1-AR11-015



1
VALMET - Finland
TYPE 612 DS - 190/2200



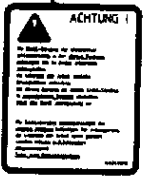
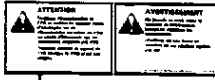
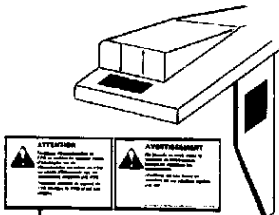
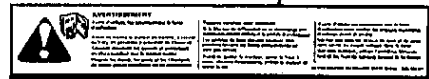
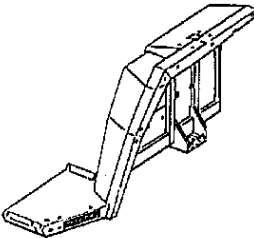
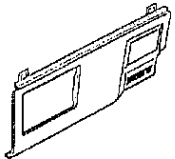
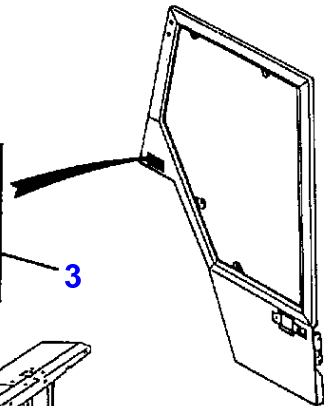
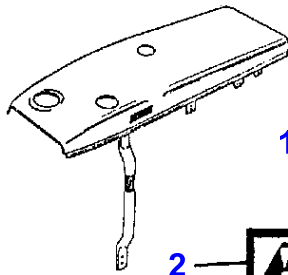
DECALS

Item	Part Number	Qty	Description	Comments
1	3617906M1	1	Plate	For Italy only or any text in Italian only
2	3537678M1	2	Decal	For Germany only or any text in German only
3	3580301M1	1	Decal	For France only or any text in French only Up to Serial or Engine Number 04/92
3	3580302M1	1	Decal	For UK only or any text in English only Up to Serial or Engine Number 05/92
3	3580303M2	1	Decal	For Germany only or any text in German only Up to Serial or Engine Number 07/92
3	3580905M1	1	Decal	For Italy only or any text in Italian only Up to Serial or Engine Number 05/92
3	3580917M1	1	Decal	[A]
	3581717M1	1	Decal	[B] Up to Serial or Engine Number 11/92
4	3041554M4	1	Decal	For France only or any text in French only
	3041555M4	1	Decal	For UK only or any text in English only
	3041556M4	1	Decal	For Germany only or any text in German only
	3580907M2	1	Decal	For Italy only or any text in Italian only
	3580908M2	1	Decal	[A]
	3581716M2	1	Decal	[B]

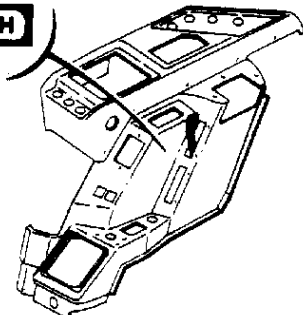
[A]
ARABIC

[B]
SPANISH

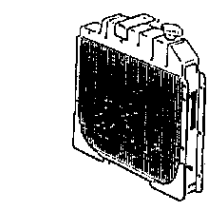
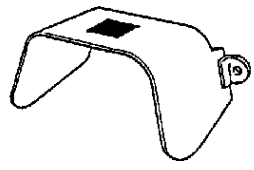
1-AR13-044



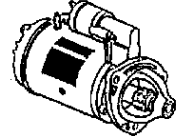
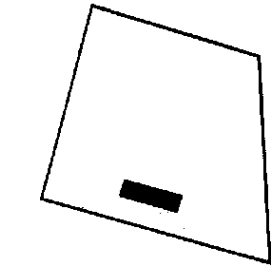
HITCH



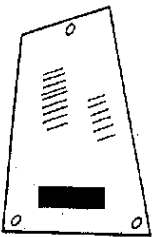
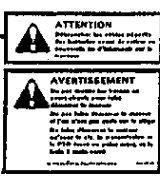
15



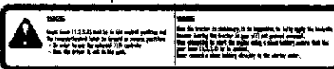
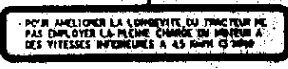
8



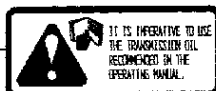
9



12



17



13

14



DECALS-SAFETY

Item	Part Number	Qty	Description	Comments
1	3697199M1	1	Decal	
2	3596029M1	1	Decal	For France only or any text in French only
	3597432M1	1	Decal	For Italy only or any text in Italian only
	3595685M1	1	Decal	For UK only or any text in English only For United States of America For Sweden
2	3596030M1	1	Decal	[A]
	3597433M1	1	Decal	[B]
3	3580313M1	1	Decal	For France only or any text in French only
	3581533M2	1	Decal	For Italy only or any text in Italian only
	3580315M1	1	Decal	For UK only or any text in English only For United States of America For Sweden
3	3618260M1	1	Decal	For Sweden
	3580317M1	1	Decal	[A]
	3581532M1	1	Decal	[B]
4	3596037M1	1	Decal	For France only or any text in French only
	3597428M1	1	Decal	For Germany only or any text in German only
	3597429M1	1	Decal	For Italy only or any text in Italian only
	3595678M1	1	Decal	For UK only or any text in English only For United States of America For Sweden
4	3596038M1	1	Decal	[A]
	3597430M1	1	Decal	[B]
5	3580320M3	1	Decal	For France only or any text in French only
	3581524M3	1	Decal	For Germany only or any text in German only
	3581525M4	1	Decal	For Italy only or any text in Italian only
	3580321M3	1	Decal	For UK only or any text in English only For United States of America For Sweden
5	3618261M1	1	Decal	For Sweden
	3580322M1	1	Decal	[A]
	3581526M2	1	Decal	[B]
6	3581564M1	1	Decal	For France only or any text in French only
	3581566M1	1	Decal	For Italy only or any text in Italian only
	3581563M1	1	Decal	For UK only or any text in English only For United States of America For Sweden
6	3618264M1	1	Decal	For Sweden
	3581567M1	1	Decal	[A]
	3581568M1	1	Decal	[B]
7	539613M1	1	Decal	For France only or any text in French only
	3581570M2	1	Decal	For Germany only or any text in German only
	3581571M2	1	Decal	For Italy only or any text in Italian only
	3581572M1	1	Decal	[A]
	2752579M1	1	Decal	For UK only or any text in English only For United States of America For Sweden
7	3581573M2	1	Decal	[B]
8	3596045M1	1	Decal	For France only or any text in French only
	3597446M1	1	Decal	For Germany only or any text in German only
	3597447M1	1	Decal	For Italy only or any text in Italian only
	3595679M1	1	Decal	For UK only or any text in English only For United States of America For Sweden
8	3618262M1	1	Decal	For Sweden
	3596046M1	1	Decal	[A]
	3597448M1	1	Decal	[B]
9	3596467M1	1	Decal	For France only or any text in French only
	3597449M1	1	Decal	For Germany only or any text in German only
	3597450M1	1	Decal	For Italy only or any text in Italian only
	3699634M1	1	Decal	For UK only or any text in English only For United States of America For Sweden
9	3596468M1	1	Decal	[A]
	3597451M1	1	Decal	[B]
10	3583497M1	1	Decal	For Germany only or any text in German only
11	3583499M2	1	Decal	For France only or any text in French only
	3583500M2	1	Decal	For UK only or any text in English only For United States of America For Sweden
11	3583501M3	1	Decal	For Italy only or any text in Italian only
	3583502M3	1	Decal	For Germany only or any text in German only
	3619749M1	1	Decal	[B]
	3619808M1	1	Decal	[A]

DECALS-SAFETY

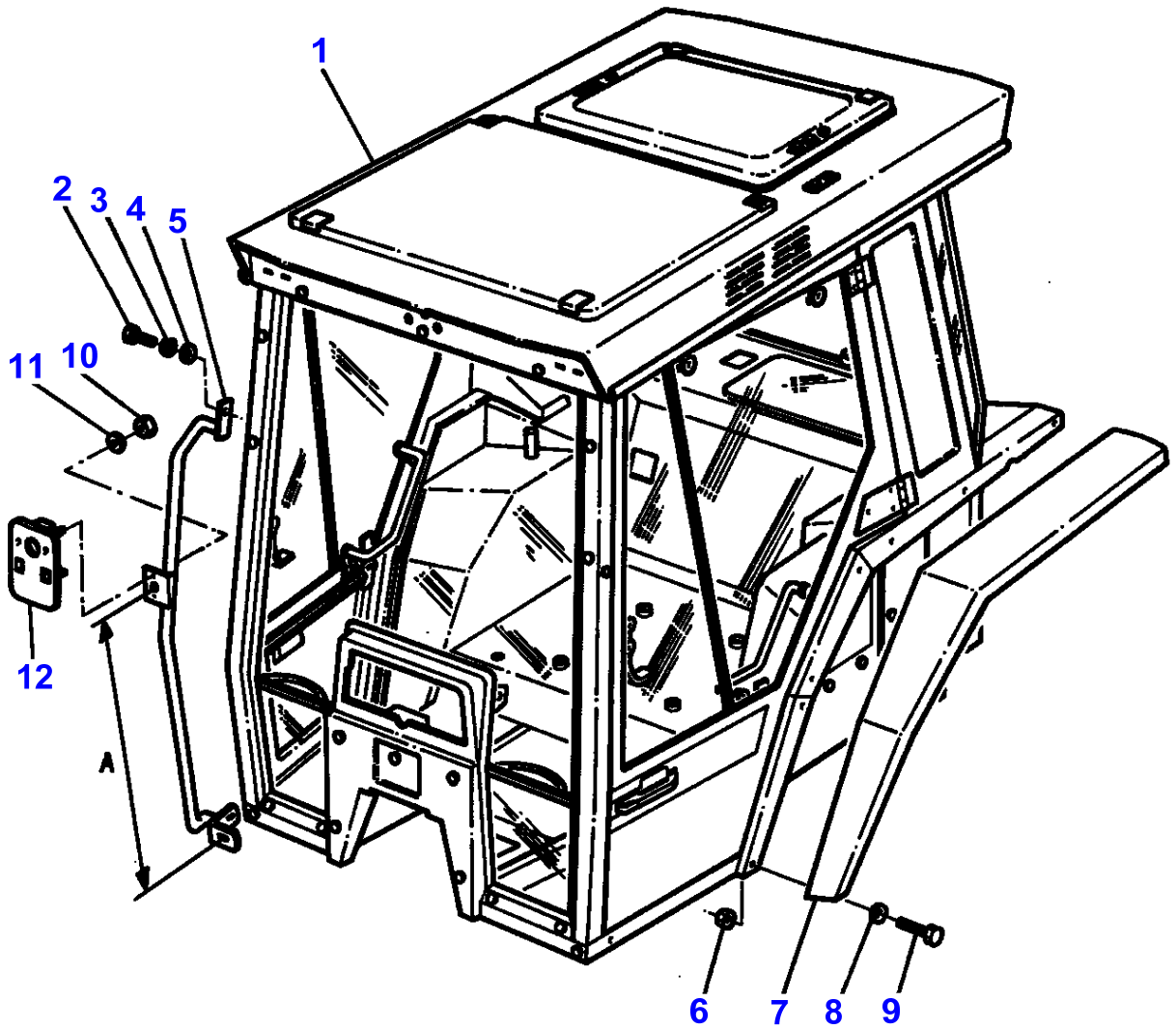
Item	Part Number	Qty	Description	Comments
12	3615321M1	1	Decal	For France only or any text in French only
12	3615322M1	1	Decal	For UK only or any text in English only For United States of America For Sweden
12	3615323M1	1	Decal	For Germany only or any text in German only
12	3616101M1	1	Decal	[A]
12	3616100M1	1	Decal	For Italy only or any text in Italian only
12	3616102M1	1	Decal	[B]
13	3605283M2	1	Decal	For United States of America
13		1	Not Used	
14	3605284M2	1	Decal	For United States of America
14		1	Not Used	
15	3618263M1	1	Decal	For Sweden
16	3713705M1	1	Decal	[C] For UK only or any text in English only
16	3713704M1	1	Decal	[C] For France only or any text in French only
16	3713721M1	1	Decal	[C] For Italy only or any text in Italian only
16	3713722M1	1	Decal	[C,B]
17	3713699M1	1	Decal	[C] For UK only or any text in English only
17	3713698M1	1	Decal	[C] For France only or any text in French only
17	3713706M1	1	Decal	[C] For Germany only or any text in German only
17	3713701M1	1	Decal	[C] For Italy only or any text in Italian only
17	3713702M1	1	Decal	[C,B]
17	3713700M1	1	Decal	[C] For Germany only or any text in German only

[A]
ARABIC TEXT

[B]
SPANISH TEXT

[C]
WITH WET CLUTCH

1-AU03-004



TRACTOR CAB-FRAME

Item	Part Number	Qty	Description	Comments
1	3616466M93	1	Cab	[A,C]
	3616467M93	1	Cab	[B,C]
	3619498M93	1	Cab	[B,C,E]
2	339123X1	4	Screw Metric	M8X20
	339337X1	2	Screw Metric	M8X30
3	339374X1	6	Lock Washer	
4	391039X1	6	Washer Metric	
5	3582531M91	1	Handle	Left Hand
	3582532M91	1	Handle	Right Hand
6	339169X1	6	Nut Metric	
7	3385423M91	1	Fender	Right Hand
	3385424M91	1	Fender	Left Hand
8	385361X1	20	Washer Metric	
9	339123X1	10	Screw Metric	M8X20
	339761X1	4	Screw Metric	M8X25
10	390995X1	4	Nut Metric	M5
11	1441100X1	4	Washer	M5
12	3616542M92	2	Support	From Serial or Engine Number S157030 For Germany only or any text in German only

[A]
TEMPERED GLASS

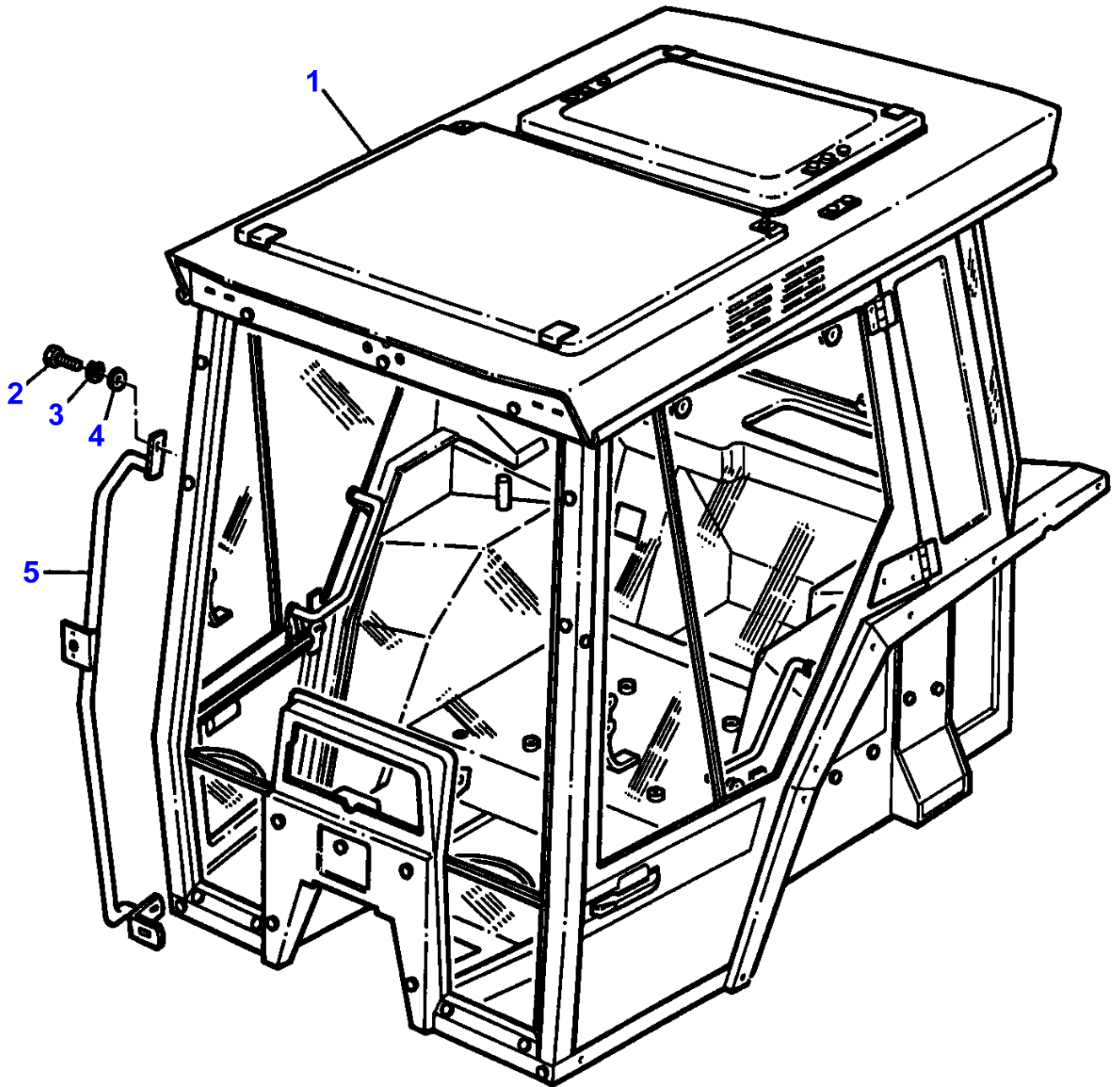
[B]
LAMINATED GLASS

[C]
STANDARD CAB

[D]
JAPAN

[E]
AUSTRIA

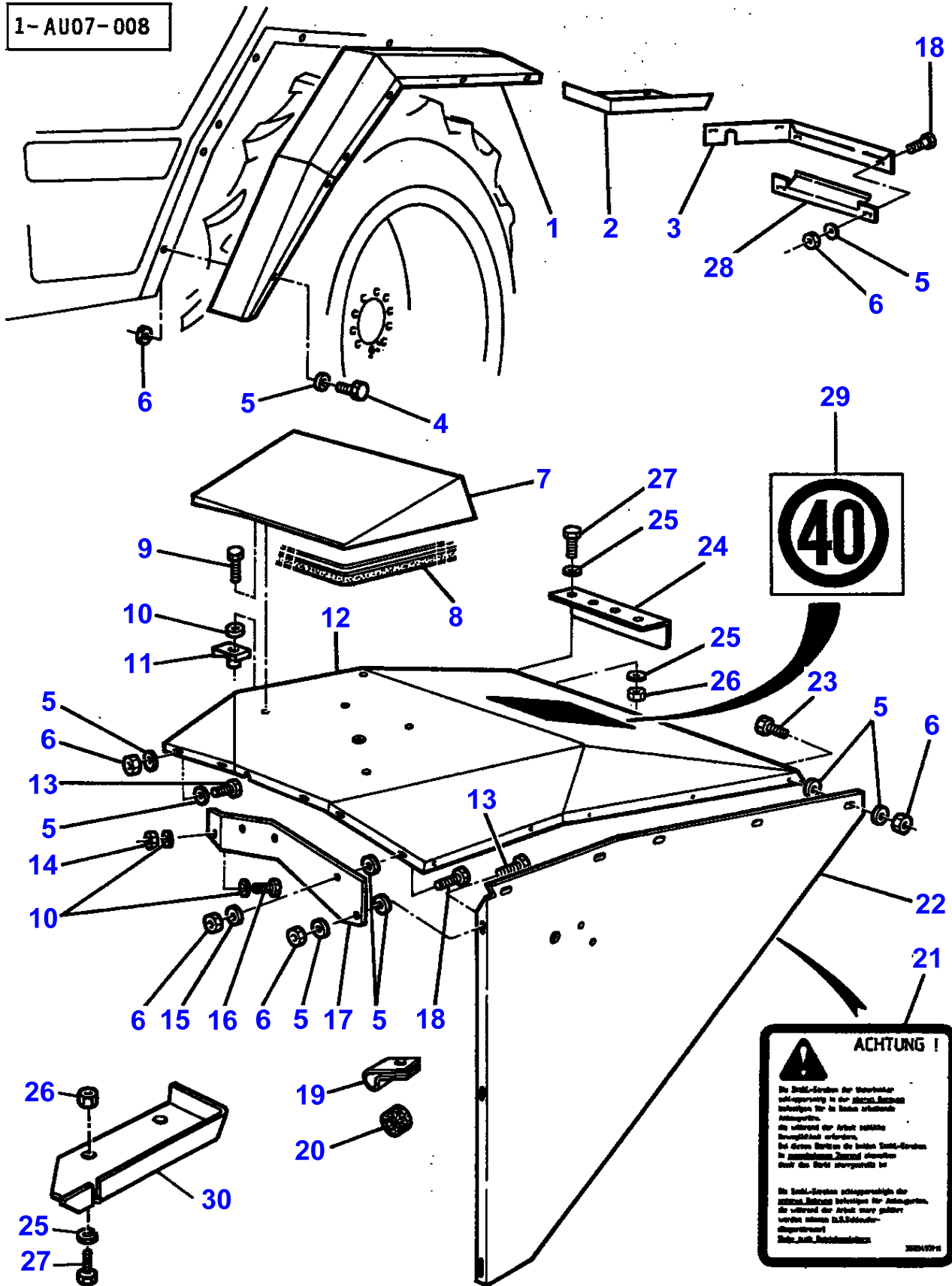
1-AU03-002



MASSEY FERGUSON**MF 3690 TRACTOR - 1637223****1637223****TRACTOR CAB-FRAME - FORESTRY CAB****384**

Item	Part Number	Qty	Description	Comments
				FORESTRY CAB
1	3616468M93	1	Cab	
2	339560X1	X	Screw Metric	M6
3	339375X1	X	Lock Washer	
4	390971X1	X	Washer Metric	
5	3582531M91	1	Handle	Left Hand
	3582532M91	1	Handle	Right Hand

1-AU07-008

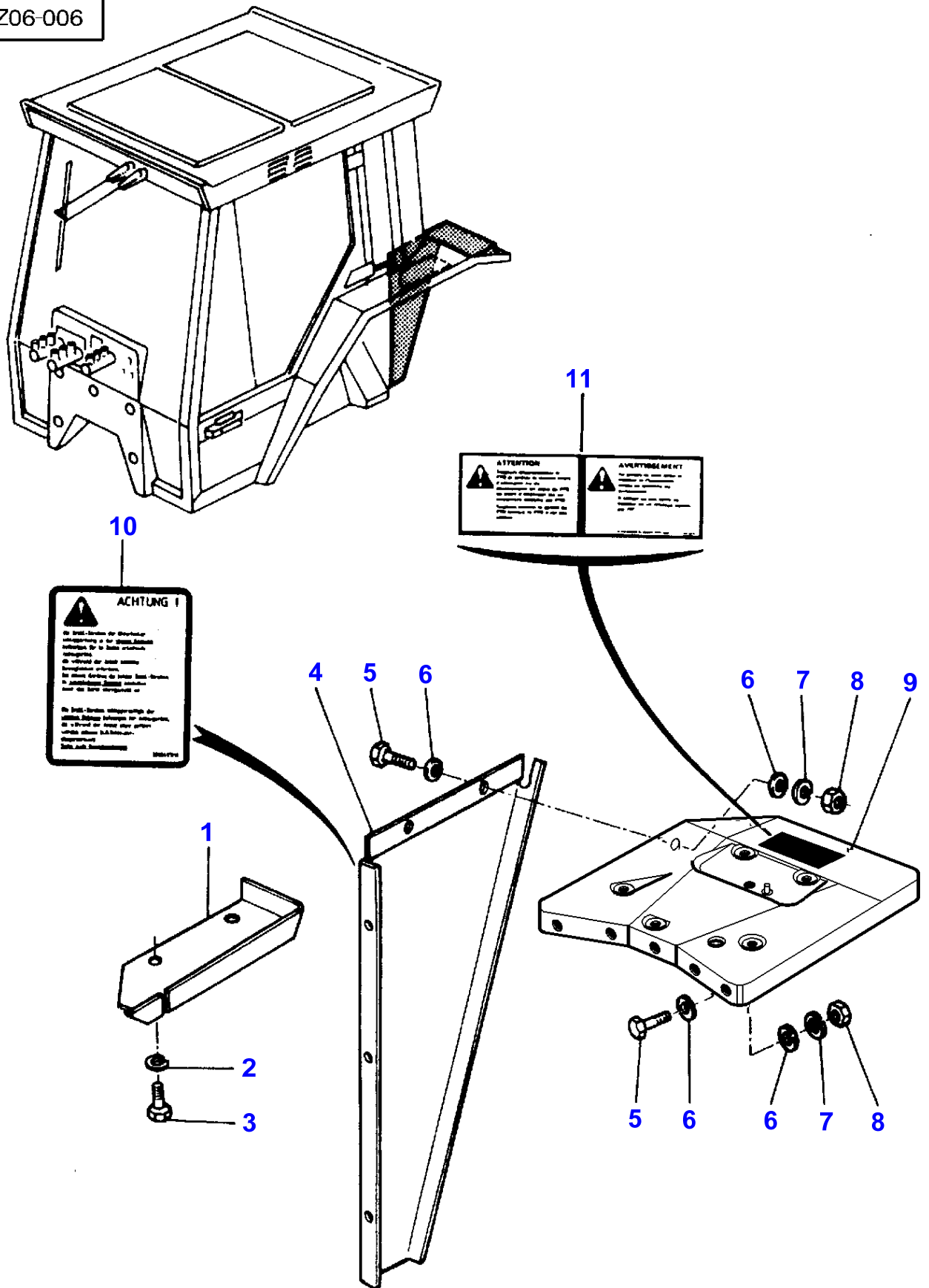


Item	Part Number	Qty	Description	Comments
				FENDER EXTENSION MAUSER
1	3581655M1	1	Fender	Right Hand
	3581656M1	1	Fender	Left Hand
2	3583598M1	1	Stiffener	[B]
				Right Hand
2	3583597M1	1	Stiffener	[B]
				Left Hand
3	3583599M2	1	Stiffener	[B]
				Right Hand
3	3583600M2	1	Stiffener	[B]
				Left Hand
4	339761X1	10	Screw Metric	M8X25
	339337X1	4	Screw Metric	M8X30
5	385361X1	X	Washer	M8
			Metric	
	390972X1	2	Washer	
			Metric	
6	339169X1	X	Nut Metric	M8
7	3583601M1	1	Case Assy	[B]
				Right Hand
7	3583602M1	1	Case Assy	[B]
				Left Hand
8	3615310M1	2	Gasket	
9	339560X1	8	Screw Metric	
10	390971X1	12	Washer	
			Metric	
11	3010070X1	8	Nut	
12	3583593M1	1	Extension	[B]
				Right Hand
12	3583594M1	1	Extension	[B]
				Left Hand
13	339761X1	6	Screw Metric	M8X25
14	339030X1	2	Nut Metric	M6
15	22428X	4	Lock Washer	
16	339560X1	2	Screw Metric	M6X16
17	3581643M1	1	Cowl	Right Hand
	3581644M1	1	Cowl	Left Hand
18	339124X1	4	Screw Metric	M8X16
19	360052X1	2	Clamp	
20	367439X1	2	Protector	
21	3583497M1	1	Decal	For Germany only or any text in German only
22	3583596M1	1	Skirt	[B]
				Right Hand
22	3583595M1	1	Skirt	[A,B]
				Left Hand
23	339123X1	16	Screw Metric	M8X20
24	3615275M1	1	Support	
25	390971X1	8	Washer	
			Metric	
26	339030X1	4	Nut Metric	M6
27	339560X1	4	Screw Metric	M6X16
28	3615254M1	1	Cowl	Left Hand
	3615258M1	1	Cowl	Right Hand
29	3537678M1	1	Decal	For Germany only or any text in German only
30	3385421M1	1	Cowl	Right Hand
	3385422M1	1	Cowl	Left Hand

[A]
THE APPROPRIATE SAFETY DECALS MUST BE ORDERED AND FITTED TO THIS PART

[B]
LONG REAR EXTENSION

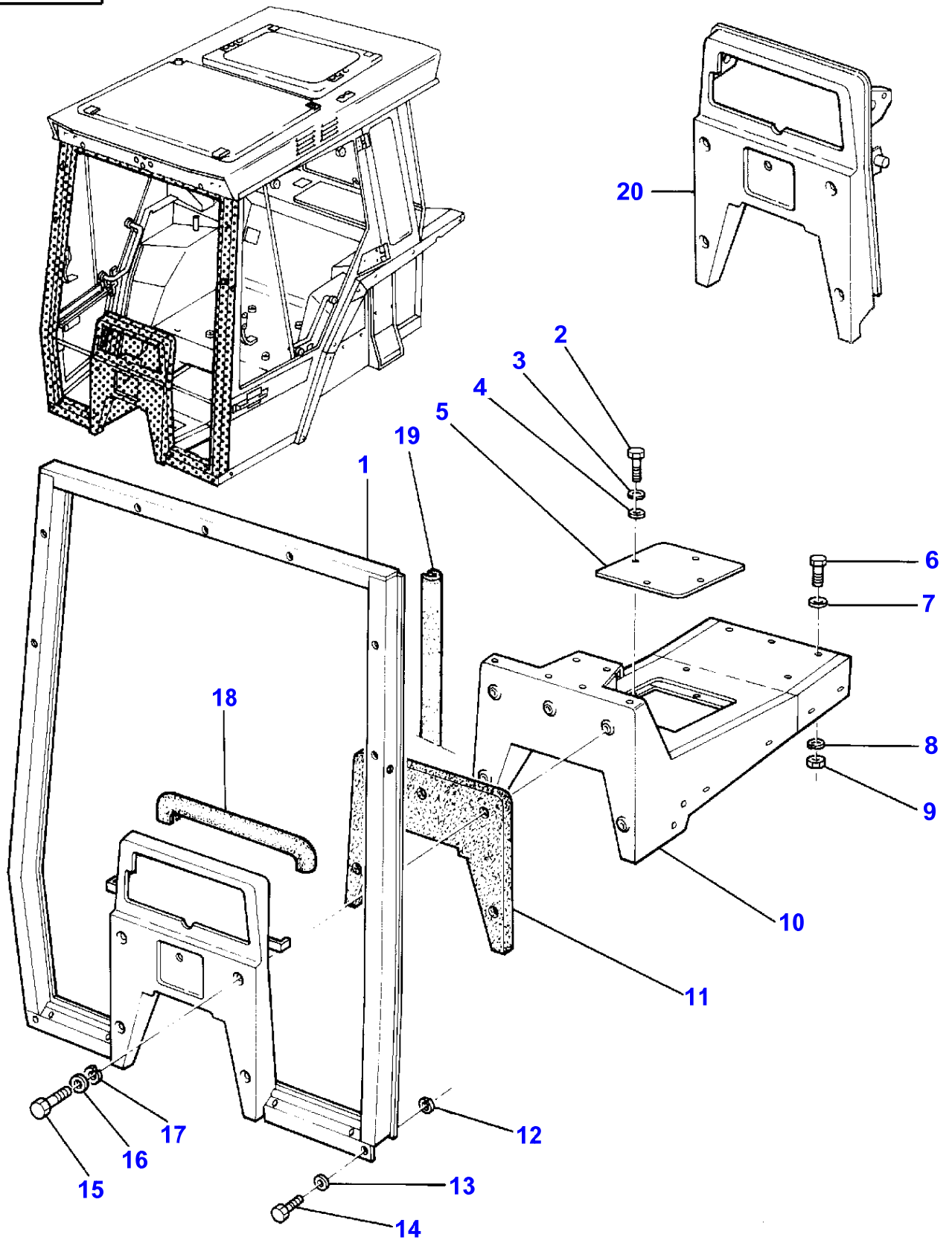
1-AZ06-006



FENDER EXTENSION

Item	Part Number	Qty	Description	Comments
1	3385422M1	1	Cowl	Left Hand
	3385421M1	1	Cowl	Right Hand
2	390971X1	4	Washer Metric	
3	339560X1	4	Screw Metric	
4	3385405M92	1	Skirt	[A] Left Hand
4	3385404M1	1	Skirt	Right Hand
5	339123X1	22	Screw Metric	
6	385361X1	44	Washer Metric	
	22428X	4	Lock Washer	
7	339374X1	22	Lock Washer	
8	339169X1	22	Nut Metric	
9	3385416M92	1	Extension	[A] Left Hand See Page - Reference Number 382/
9	3385415M91	1	Extension	Right Hand
10	3583497M1	1	Decal	For Germany only or any text in German only
11	3581564M1	1	Decal	For France only or any text in French only
	3581566M1	1	Decal	For Italy only or any text in Italian only
	3581563M1	1	Decal	For UK only or any text in English only For United States of America
11	3618262M1	1	Decal	For Sweden
	3581567M1	1	Decal	[B]
	3581568M1	1	Decal	[C]
				[A] THE APPROPRIATE SAFETY DECALS MUST BE ORDERED AND FITTED TO THIS PART
				[B] ARABIC
				[C] SPANISH TEXT

1-AU39-005



TRACTOR CAB-FRONT SIDE - TUNNEL

Item	Part Number	Qty	Description	Comments
1	3616425M91	1	Chassis	[A] From Serial or Engine Number S347015
1	3616425M91	1	Chassis	
2	391074X1	4	Screw Metric	
3	339375X1	4	Lock Washer	
4	390971X1	4	Washer Metric	
5	3385075M1	1	Cover	
6	339123X1	13	Screw Metric	M8X20
	339009X1	2	Bolt Metric	M8X35
7	390972X1	23	Washer Metric	
8	339374X1	15	Lock Washer	
9	339169X1	8	Nut Metric	
10	3616491M91	1	Tunnel	[A] From Serial or Engine Number S347015
10	3616424M91	1	Tunnel	
11	3385249M1	1	Panel	
12	339374X1	9	Lock Washer	Diameter 8
	339380X1	6	Washer	Diameter 14
13	390972X1	5	Washer Metric	Diameter 8
	390973X1	6	Washer Metric	Diameter 14
14	339123X1	5	Screw Metric	M8X20
	339761X1	9	Screw Metric	M8X25
	339326X1	6	Screw	M14X25
15	339123X1	5	Screw Metric	
16	390972X1	5	Washer Metric	
17	339374X1	5	Lock Washer	
18	3581066M1	1	Gasket	
19	3385458M1	2	Gasket	
20		1	Not Used	

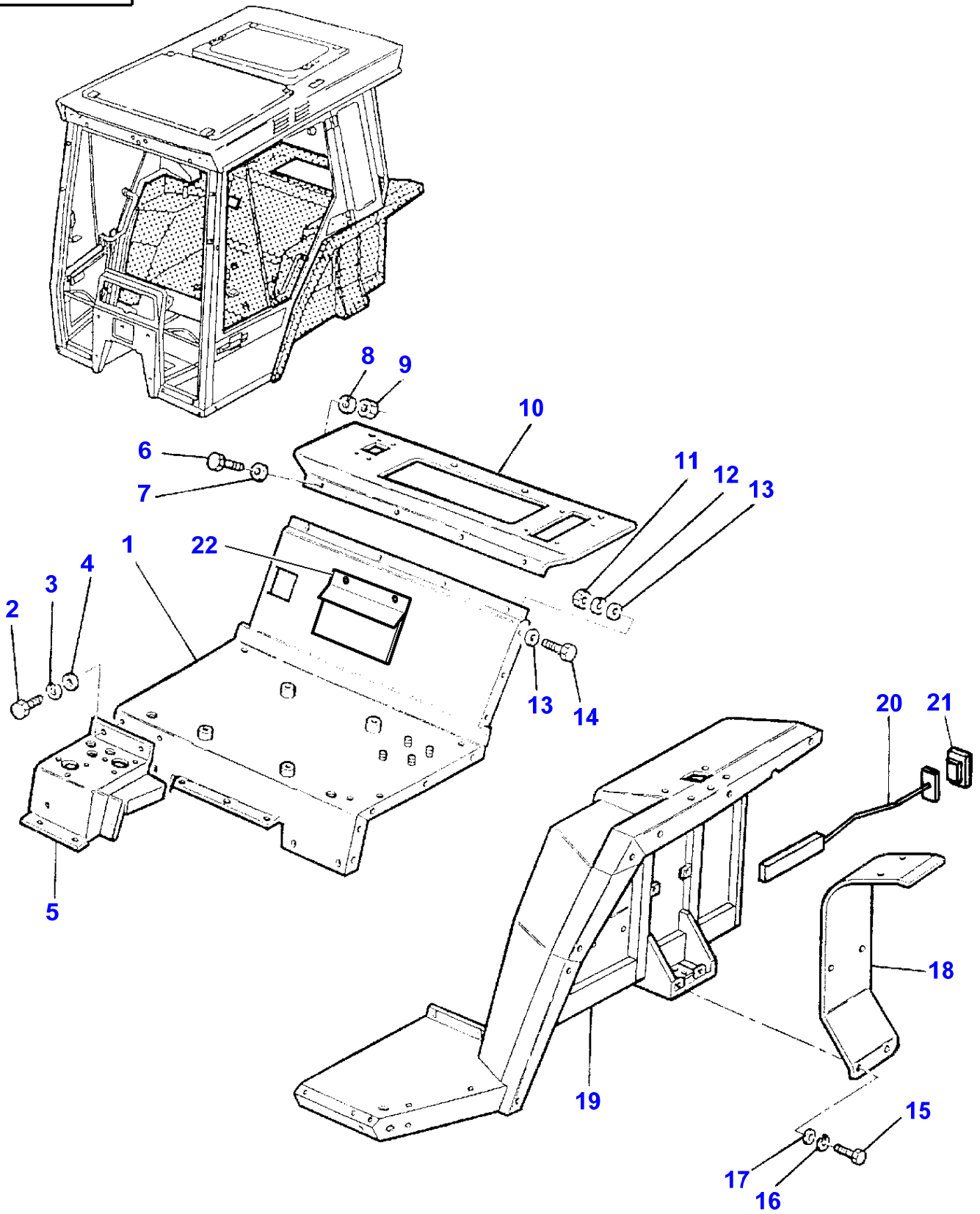
[A]
FORESTRY CAB

[B]
CAB TEMPERED GLASS

[C]
CAB LAMINATED GLASS

[D]
LOW CAB

1-AU15-015

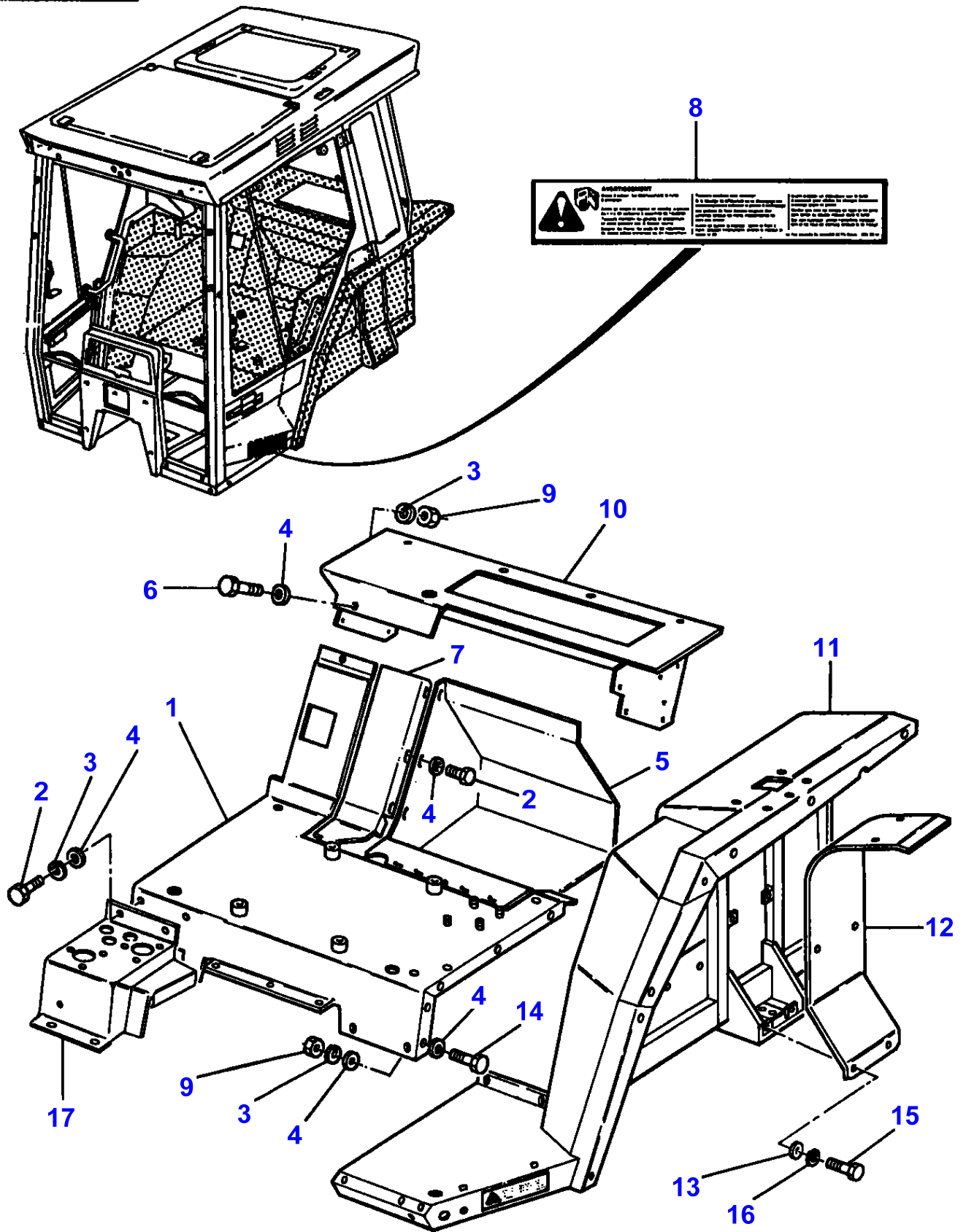


TRACTOR CAB-FLOOR PANELS

Item	Part Number	Qty	Description	Comments
1	3385076M95	1	Support	
2	339124X1	4	Screw Metric	
3	339374X1	4	Lock Washer	
4	390972X1	4	Washer Metric	
5	3385329M92	1	Support	
6	339123X1	4	Screw Metric	
	339761X1	4	Screw Metric	M8X25
7	390972X1	12	Washer Metric	
8	339374X1	8	Lock Washer	
9	339169X1	8	Nut Metric	
10	3385083M92	1	Transverse	
11	339169X1	16	Nut Metric	
12	339374X1	20	Lock Washer	
13	390972X1	36	Washer Metric	
14	339123X1	20	Screw Metric	
15	339560X1	12	Screw Metric	M6X12
16	339375X1	12	Lock Washer	
17	390971X1	12	Washer Metric	
18	3385091M1	1	Cowl	
19	3580058M93	1	Bottom Frame	Right Hand
	3385048M92	1	Bottom Frame	[A] Left Hand See Page - Reference Number 382/
20	3581928M91	2	Reinforcement	
21	3581929M1	2	Stub	
22		1	Pocket	See Page - Reference Number 445/8

[A]
THE APPROPRIATE SAFETY DECALS MUST BE ORDERED AND FITTED TO THIS PART

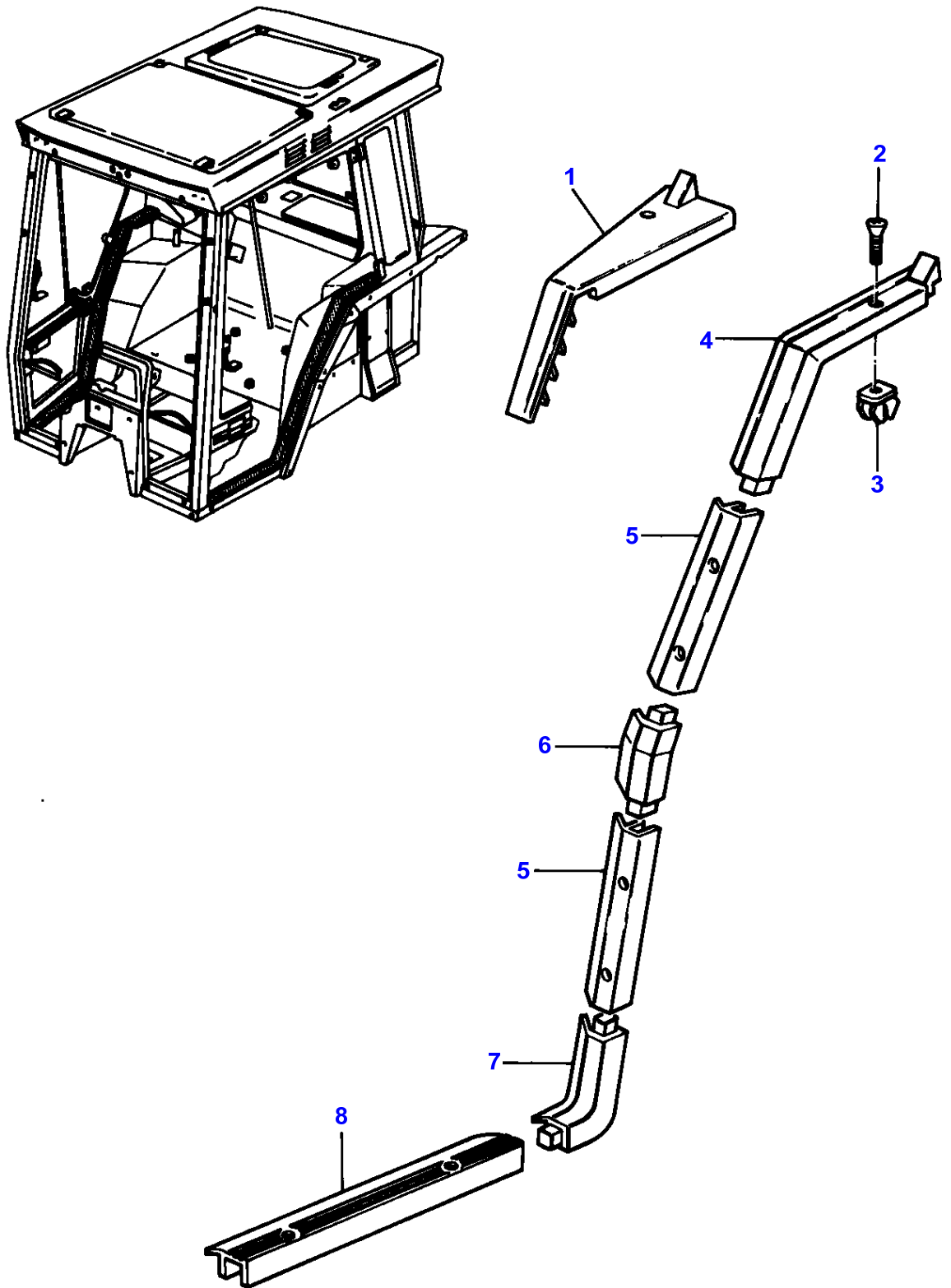
1-AU15-008



Item	Part Number	Qty	Description	Comments
				FORESTRY CAB
1	3583091M92	1	Support	
2	339124X1	X	Screw Metric	
3	339374X1	X	Lock Washer	
4	390972X1	X	Washer Metric	
5	3583220M91	1	Shield	
6	339123X1	4	Screw Metric	M8X20
	339761X1	4	Screw Metric	M8X25
7	3583769M1	1	Shield	
8		1	Decal	See Page - Reference Number 382/
9	339169X1	8	Nut Metric	
10	3583092M91	1	Transverse	
11	3583663M91	1	Bottom Frame	Right Hand
	3583664M91	1	Bottom Frame	Left Hand
12	3385091M1	2	Cowl	
13	390971X1	X	Washer Metric	
14	339123X1	X	Screw Metric	
15	339560X1	X	Screw Metric	
16	339375X1	X	Lock Washer	
17	3385329M92	1	Support	

[A]
ARABIC

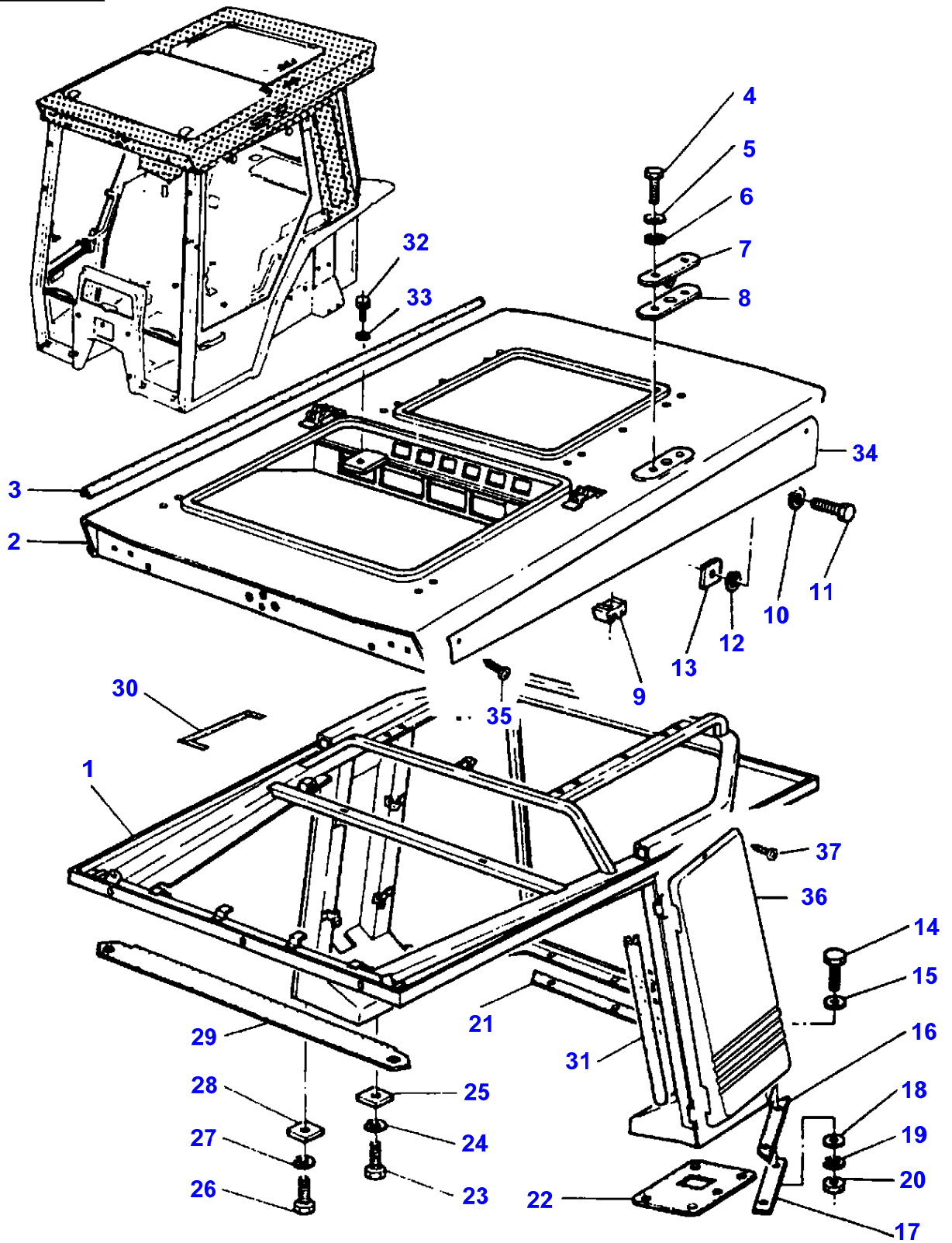
1-AU40-001



TRACTOR CAB-FENDER MOULDINGS

Item	Part Number	Qty	Description	Comments
1	3385101M1	1	Moulding	Right Hand
2	3015027X1	14	Screw	
3	3302890M1	14	Spacer	
4	3385102M2	1	Moulding	Left Hand
5	3385103M1	4	Moulding	
6	3385104M1	1	Moulding	Right Hand
	3385105M1	1	Moulding	Left Hand
7	3385375M1	1	Seal Section	Right Hand
	3385376M1	1	Seal Section	Left Hand
8	3385106M2	1	Moulding	Right Hand
	3385107M1	1	Moulding	Left Hand

1-AU02-005



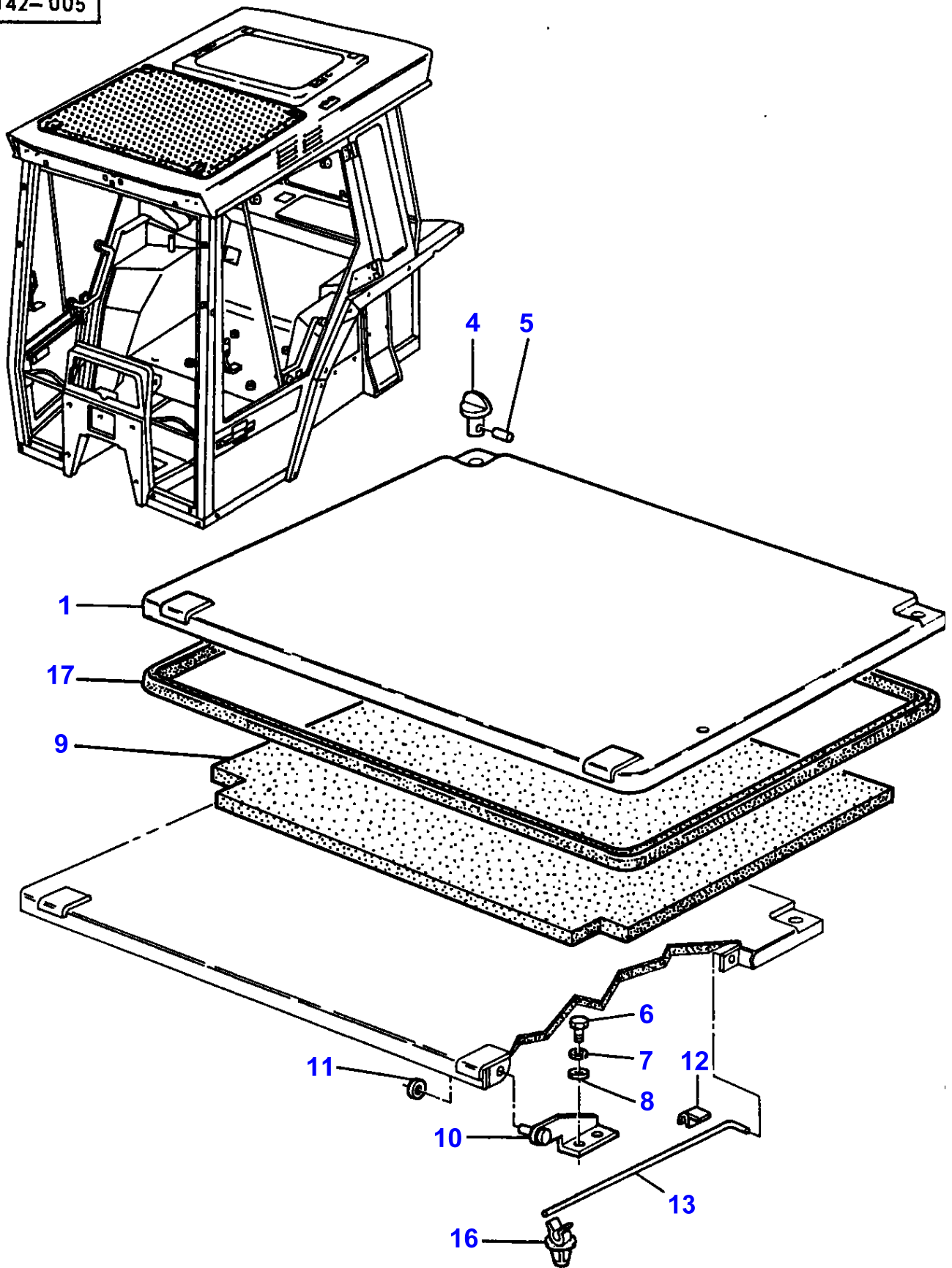
TRACTOR CAB-ROOF

Item	Part Number	Qty	Description	Comments
1	3385117M97	1	Frame	
	3616969M93	1	Frame	[A,B]
2	3385183M93	1	Roof	
	3616821M91	1	Roof	[A,B]
3	3615793M1	2	Gasket	Repairs and replaces 3615317M1 Up to Serial or Engine Number A049001
4	339124X1	2	Screw Metric	
5	390972X1	2	Washer Metric	
6	3301742M1	2	Washer	
7	3041658M91	1	Plate	
8	3041661M1	1	Gasket	
9	392439X1	6	Nut Special	
10	390971X1	14	Washer Metric	
11	339560X1	14	Screw Metric	
12	339375X1	14	Lock Washer	
13	392332X1	14	Nut Special	
14	339123X1	8	Screw Metric	
15	390972X1	12	Washer Metric	
16	3385208M1	1	Gasket	Right Hand
	3385209M1	1	Gasket	Left Hand
17	3385366M1	2	Reinforcement	
18	390972X1	X	Washer Metric	
19	339374X1	8	Lock Washer	
20	339169X1	8	Nut Metric	
21	3385207M1	1	Gasket	
22	3385205M1	1	Gasket	Right Hand
	3385206M1	1	Gasket	Left Hand
23	395316X1	4	Bolt Metric	M16X35
24	339377X1	4	Lock Washer	
25	3385189M1	4	Counterplate	
26	391870X1	6	Screw	M14X35
27	339380X1	6	Washer	
28	3385210M1	6	Counterplate	
29	3385250M2	1	Gasket	
30	3385447M1	1	Gasket	Right Hand
	3385448M1	1	Gasket	Left Hand
31	3385459M1	2	Gasket	
32	339112X1	1	Screw Metric	
33	3001856X1	1	Washer Metric	
34	3900845M1	1	Fence	[A,B] Right Hand
34	3900846M1	1	Fence	[A,B] Left Hand
34			Not Used	
35	3389854M1	4	Self Tap Screws	[A,B]
			Not Used	
36	3900847M1	1	Mounting	[A,B] Right Hand
36	3900848M1	1	Mounting	[A,B] Left Hand
36			Not Used	
37	3389854M1	4	Self Tap Screws	[A,B]
			Not Used	

[A]
JAPAN

[B]
AUSTRIA

1-AU42-005



MASSEY FERGUSON**MF 3690 TRACTOR - 1637223**

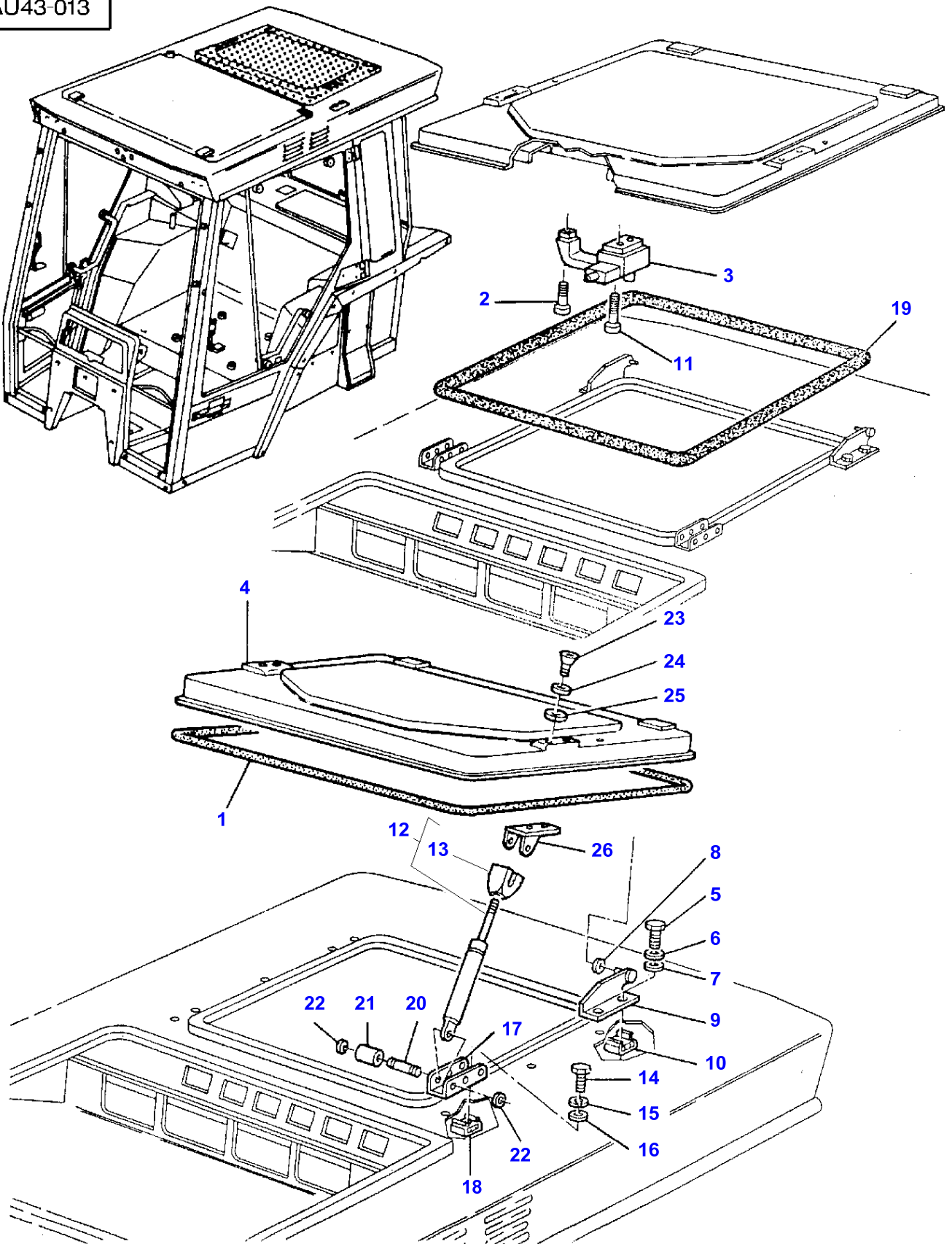
1637223

392

TRACTOR CAB-HEATING HATCHWAY

Item	Part Number	Qty	Description	Comments
1	3385211M91	1	Trap	
4	3302761M91	2	Button	
5	3006465X1	2	Roll Pin	
6	339123X1	4	Screw Metric	
7	3301742M1	4	Washer	
8	390972X1	4	Washer Metric	
9	3583508M1	1	Sound Reduction	
10	3301739M92	1	Hinge	Right Hand
	3301736M91	1	Hinge	Left Hand
11	3301741M1	2	Washer	
12	894225M1	1	Clip	
13	3385216M2	1	Rod	
16	3385465M1	1	Pliers	
17	3583985M1	1	Gasket	Length 2950MM Up to Serial or Engine Number

1-AU43-013



MASSEY FERGUSON**MF 3690 TRACTOR - 1637223**

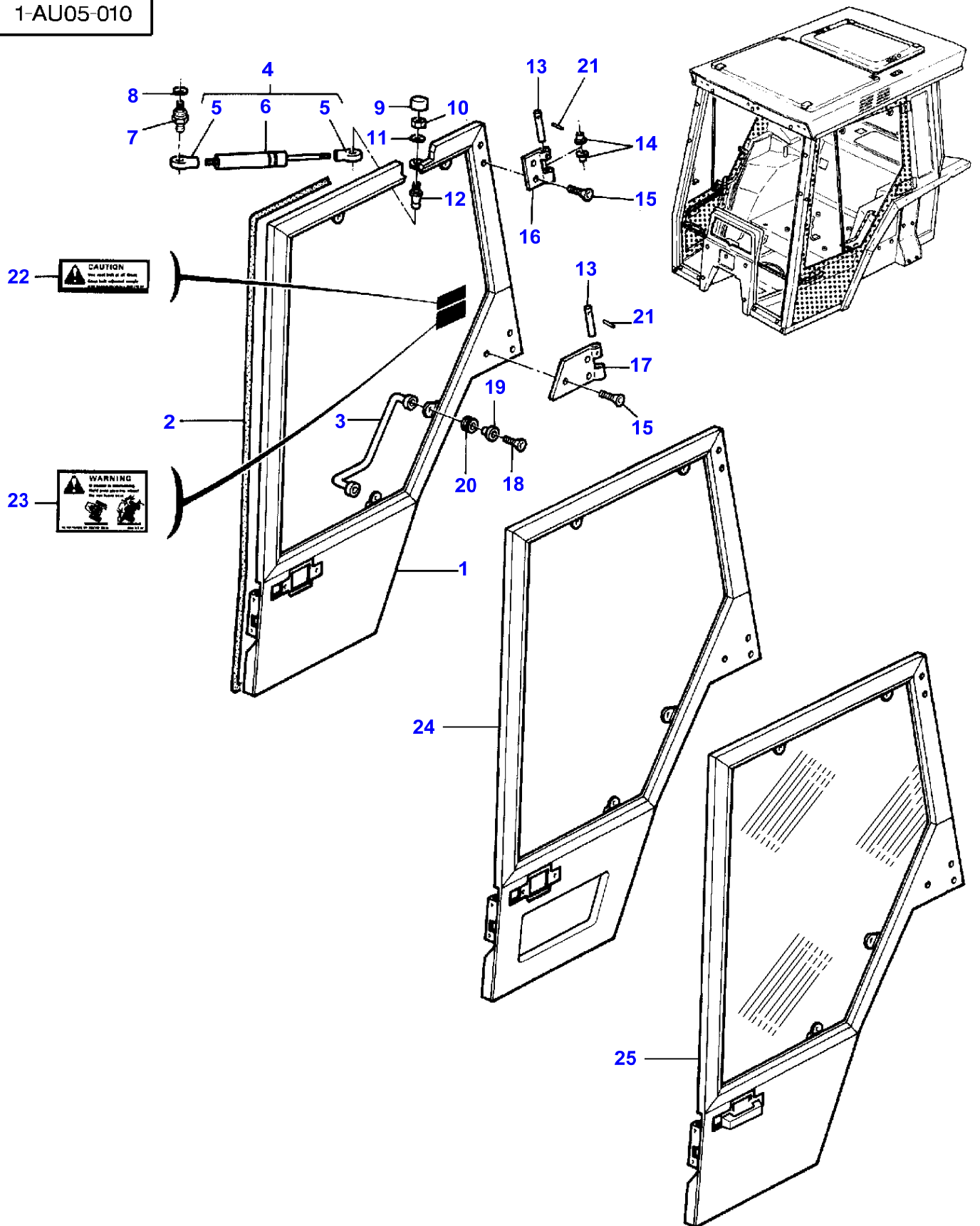
1637223

393

TRACTOR CAB-AIR HATCHWAY

Item	Part Number	Qty	Description	Comments
1	3583985M1	1	Gasket	Length 2950mm Up to Serial or Engine Number
2	3009281X1	1	Screw	
3	3388511M91	1	Handle	
4	3385434M92	1	Trap	
5	339123X1	4	Screw Metric	
6	339374X1	4	Lock Washer	
7	390972X1	4	Washer Metric	
8	3301741M1	2	Washer	
9	3301736M91	1	Hinge	Left Hand
	3301739M92	1	Hinge	Right Hand
10	392439X1	4	Nut Special	
11	3009284X1	2	Screw	
12	3303021M91	2	Gas Strut	
13	3303019M3	1	Head	
14	339123X1	4	Screw Metric	
15	339374X1	4	Lock Washer	
16	390972X1	4	Washer Metric	
17	3301743M1	2	Lock	
18	392439X1	4	Nut Special	
19	3385439M1	1	Gasket	
20	3303074M1	2	Clevis Pin	
21	3303077M1	2	Bush	
22	3000261X1	4	Clip	
23	3009440X1	4	Screw Special	M8X20
24	3301742M1	4	Washer	
25	391039X1	2	Washer Metric	
26	3580933M91	1	Support	Left Hand
	3580934M91	1	Support	Right Hand

1-AU05-010



TRACTOR CAB-DOORS

Item	Part Number	Qty	Description	Comments
1	3385263M91	1	Gate	Right Hand
	3385264M92	1	Gate	[A] Left Hand
2	3385301M1	2	Seal Section	
3	3385306M91	1	Handle	Right Hand
	3385307M91	1	Handle	Left Hand
4	3385316M91	2	Gas Strut	
5	3902542M91	2	Toggle	(4) Repairs and replaces 3302442M91
6		1	Ram	(4) Not serviced, order REF 4
7	3580054M2	2	Toggle	
8	390585X1	2	Washer Metric	
9	3616277M1	2	Muff	Repairs and replaces 1427090M1
10	339169X1	2	Nut Metric	
11	390972X1	2	Washer Metric	
12	3302443M1	2	Toggle	
13	1427091M1	4	Clevis Pin	
14	1427092M1	8	Bush	
15	3009441X1	10	Screw Special	
16	3385136M1	1	Hinge	Right Hand
	3385137M1	1	Hinge	Left Hand
17	3385138M1	1	Hinge	Right Hand
	3385139M1	1	Hinge	Left Hand
18	3009442X1	2	Screw Special	
19	3385133M1	2	Bush	
20	3301815M1	2	Grommet	
21	1441723X1	4	Spirol Pin	
22	3596043M1	1	Decal	For France only or any text in French only
	3597453M1	1	Decal	For Italy only or any text in Italian only
	3595689M1	1	Decal	For UK only or any text in English only
	3596050M1	1	Decal	[B]
	3597454M1	1	Decal	[C]
23	3580313M1	1	Decal	For France only or any text in French only
	3581533M2	1	Decal	For Italy only or any text in Italian only
	3580315M1	1	Decal	For UK only or any text in English only For United States of America
23	3618260M1	1	Decal	For Sweden
	3580317M1	1	Decal	[B]
	3581532M1	1	Decal	[C]
24	3616820M91	1	Gate	[D,E] Right Hand
24	3616819M91	1	Gate	[A,D,E] Left Hand
25	3902055M91	1	Gate	[A,F] Left Hand
25	3902056M91	1	Gate	[F] Right Hand
				[A] THE APPROPRIATE SAFETY DECALS MUST BE ORDERED AND FITTED TO THIS PART
				[B] ARABIC
				[C] SPANISH TEXT
				[D] JAPAN
				[E] AUSTRIA
				[F]

MASSEY FERGUSON

MF 3690 TRACTOR - 1637223

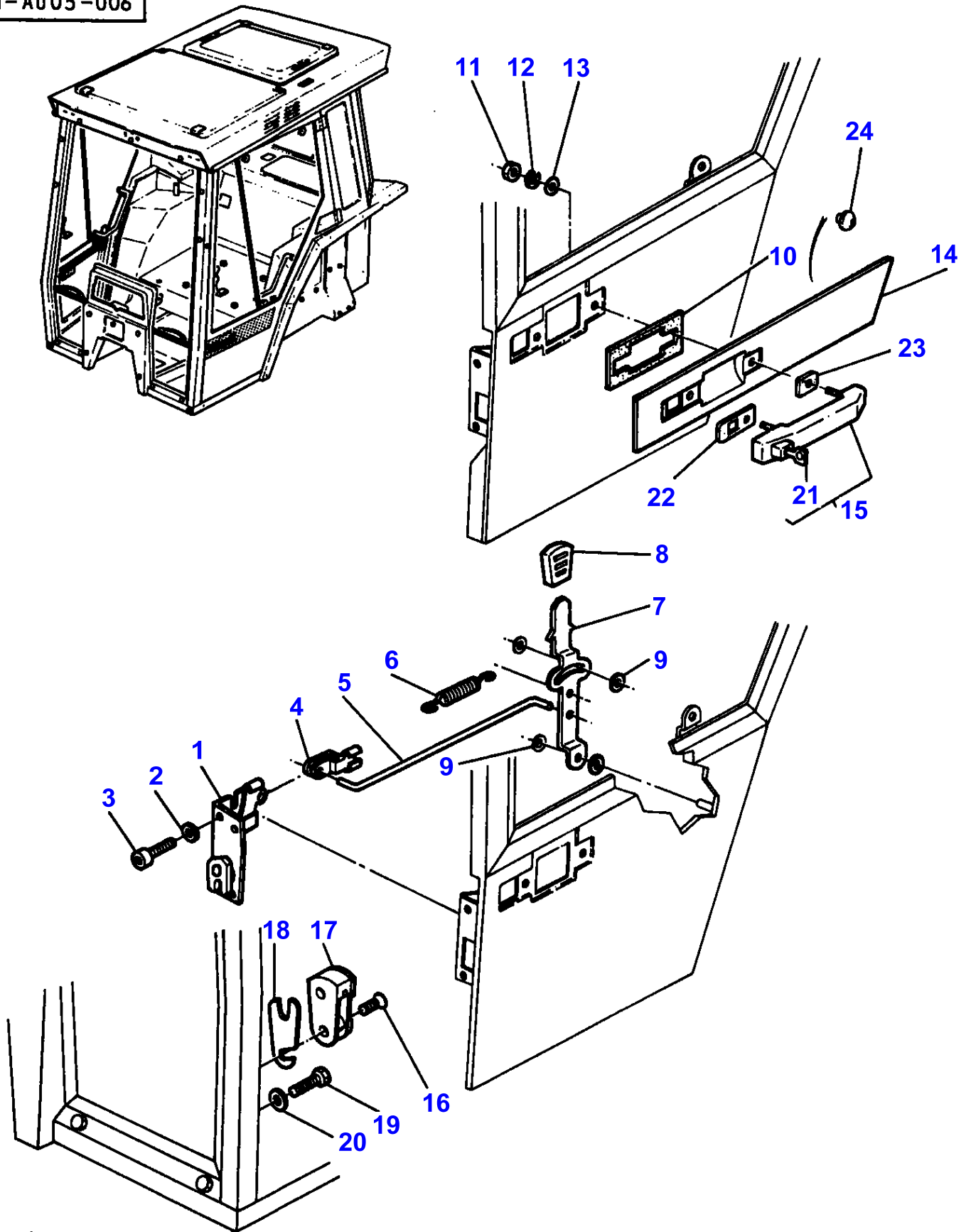
1637223

TRACTOR CAB-DOORS

394

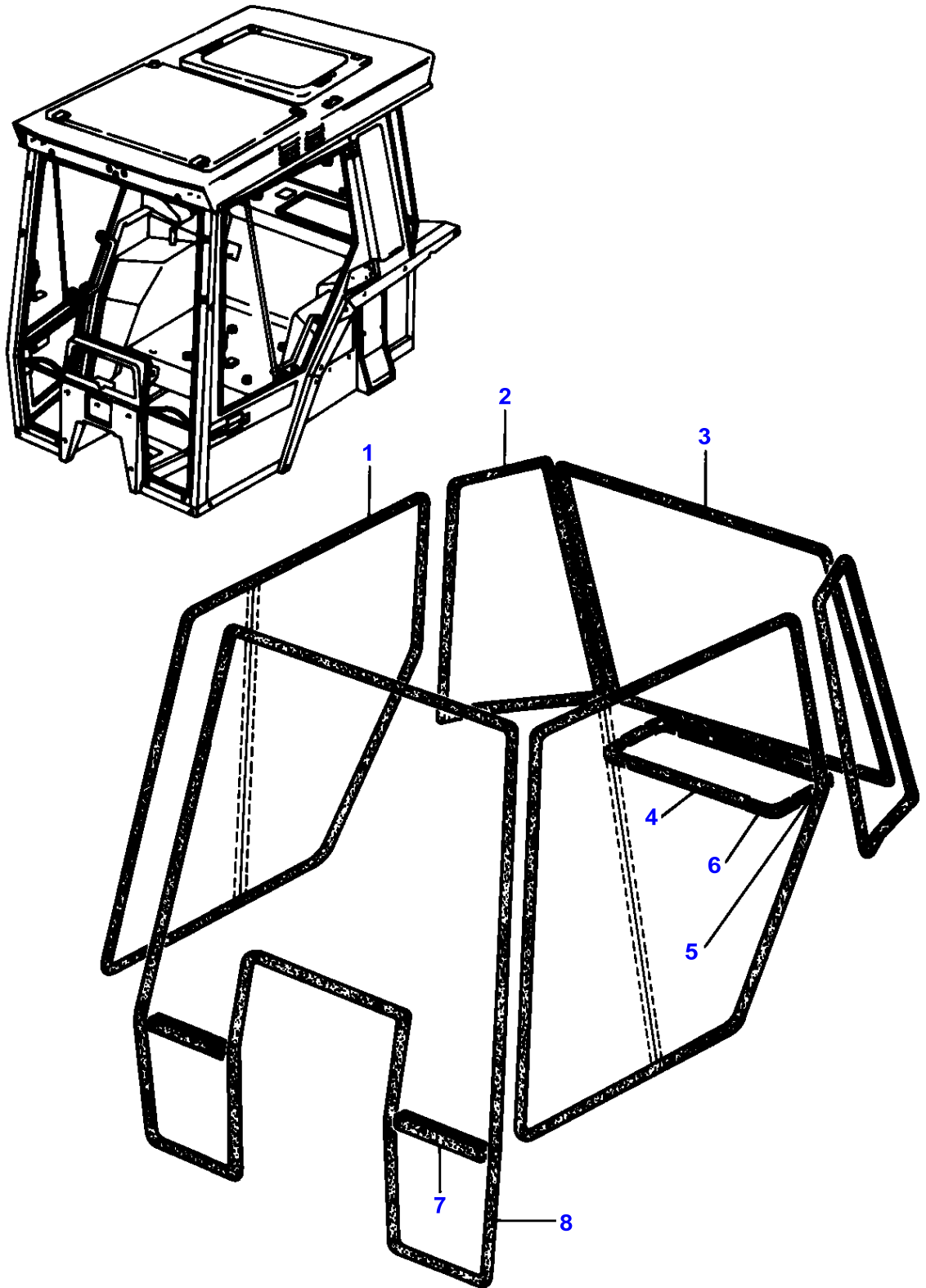
Item	Part Number	Qty	Description	Comments
				COMPLETE GATE

1-AU05-006



Item	Part Number	Qty	Description	Comments
				LOCK
1	3385310M91	1	Lock	Right Hand
	3385311M91	1	Lock	Left Hand
2	1440312X1	8	Washer	
3	391246X1	8	Screw	
4	894225M1	4	Clip	
5	3385313M1	2	Rod	
6	3385371M1	2	Spring	
7	3385312M1	2	Lever	
8	3389593M1	2	Knob	
9	3301741M1	X	Washer	
10	3385368M2	2	Joint	
11	1440085X1	4	Nut Metric	
12	339375X1	4	Lock Washer	
13	390971X1	4	Washer Metric	
14	3385297M2	1	Band	Right Hand
	3385298M2	1	Band	Left Hand
15	3385314M91	2	Handle	
16	3009442X1	4	Screw Special	
17	3301858M91	1	Lock	Left Hand
	3301857M91	1	Lock	Right Hand
18	3302845M1	X	Shim	Thickness 1MM
	3302846M1	X	Shim	Thickness 2MM
19	339123X1	2	Screw Metric	
20	391039X1	2	Washer Metric	
21	3581668M1	1	Key	(15)
22	3385462M1	2	Facing	
23	3385463M1	2	Facing	
24	3385464M1	2	Button	

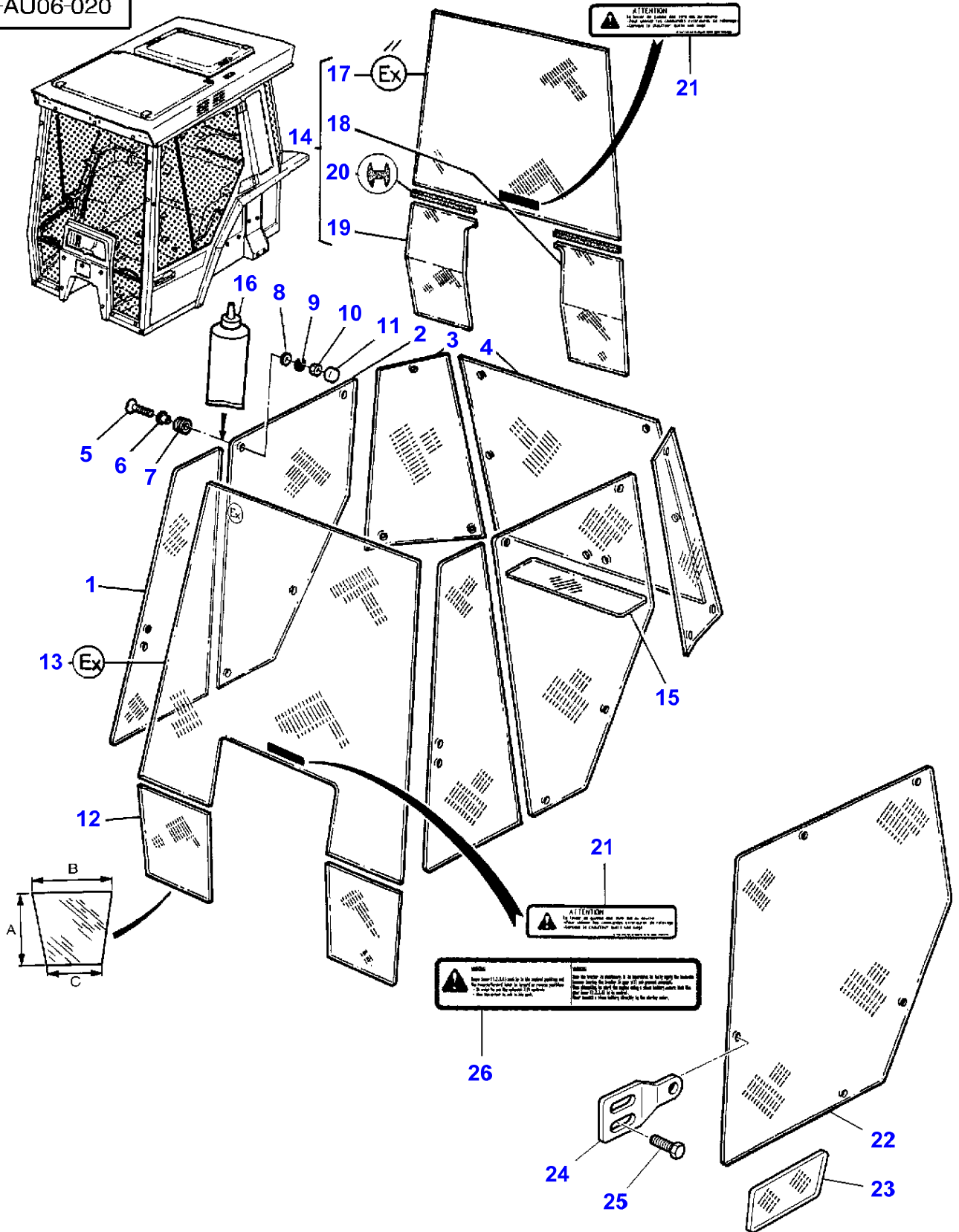
1-AU06-001



TRACTOR CAB-WINDOWS

Item	Part Number	Qty	Description	Comments
1	3385305M1	2	Rubber Section	Length 3520MM
2	3385204M1	2	Rubber Section	Length 2345MM
3	3385261M1	1	Rubber Section	Length 3670MM
4	3385089M1	2	Gasket	
5	3385088M1	2	Gasket	
6	3304287M1	4	Gasket	
7	3619235M1	2	Facing	Repairs and replaces 3385469M1 Thickness 6MM Up to Serial or Engine Number
7	3619174M1	2	Facing	Thickness 5MM From Serial or Engine Number
8	3385242M2	1	Rubber Section	Thickness 6MM
	3619176M1	1	Gasket	Thickness 5MM

1-AU06-020



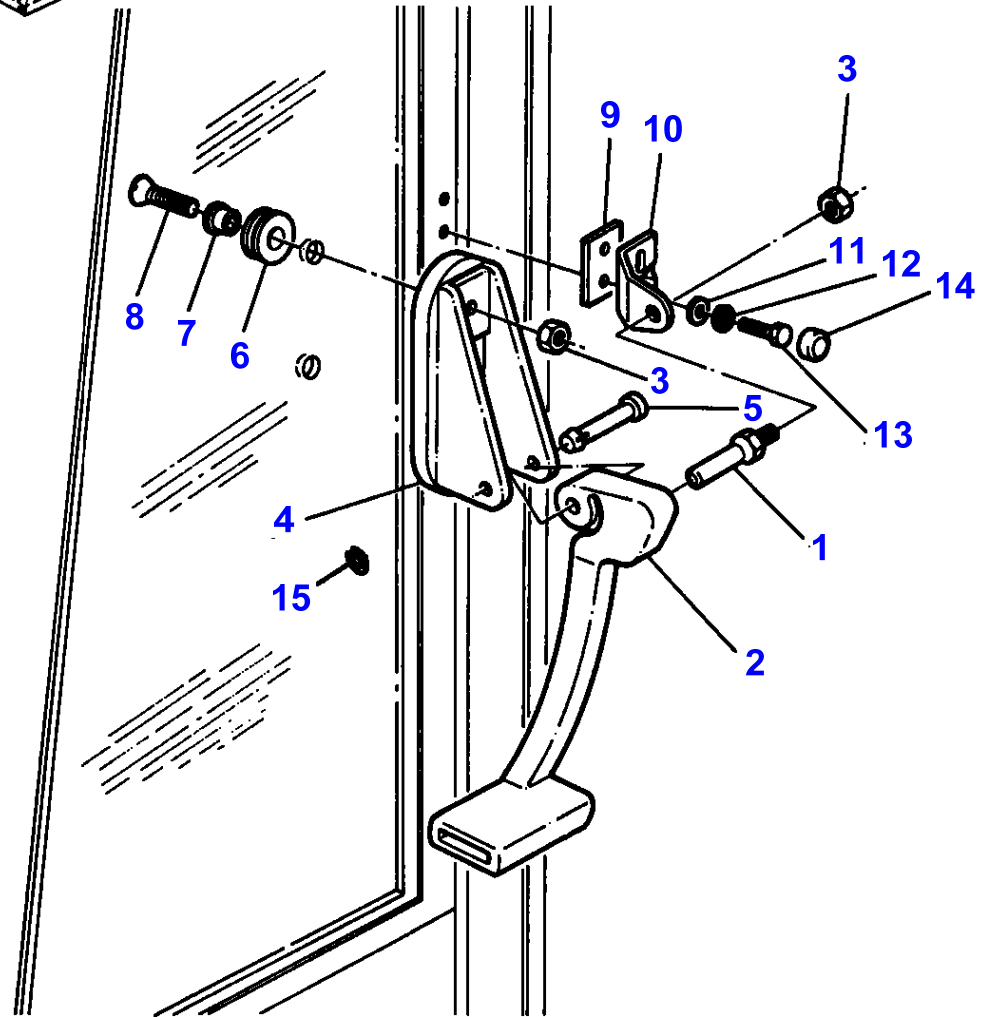
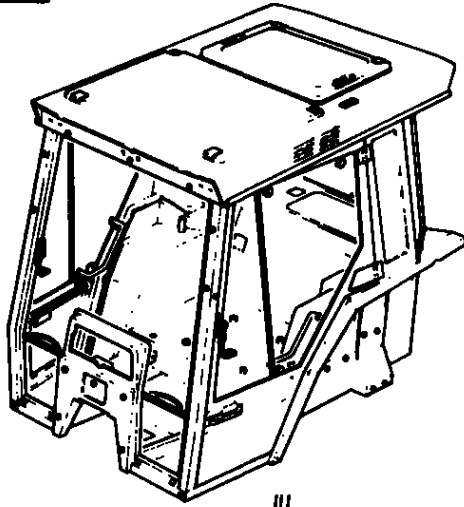
TRACTOR CAB-WINDOWS

Item	Part Number	Qty	Description	Comments
1	3389399M2	2	Glass Pane	DOT XXXX
2	3389398M2	2	Glass Pane	DOT XXXX
3	3389393M2	2	Glass Pane	DOT XXXX
4		1	Window	See Page - Reference Number 399/2
5	3009442X1	X	Screw Special	
6	3385133M1	X	Bush	
7	3301815M1	X	Grommet	
8	390972X1	X	Washer Metric	
9	339374X1	X	Lock Washer	
10	339169X1	X	Nut Metric	
11	3616277M1	X	Muff	
12	3617586M1	2	Window	A=349,5 B=331,5 C=258,5
12	3389391M2	2	Glass Pane	A=357B=330C254 Thickness 6MM Up to Serial or Engine Number 50129
12	3619172M1	2	Windscreen	Thickness 5MM From Serial or Engine Number 50130
12	3619172M1	2	Windscreen	[A,D] Up to Serial or Engine Number B347018 Thickness 5MM
13	3385240M4	1	Windscreen	[A,C] Thickness 6MM Up to Serial or Engine Number 50129
13	3619177M1	1	Windscreen	[A,C] Thickness 5MM From Serial or Engine Number 50130
13	3619177M1	1	Windscreen	[A,C,D] Up to Serial or Engine Number B347018 Thickness 5MM
14	3582159M00	1	Kit	[B] Repairs and replaces 3389395M2
14	3582159M00	1	Kit	[B,D] From Serial or Engine Number B347019
15	3389389M2	1	Window	DOT XXXX
16	3405423M2	1	Loctite	310 ML
17	3582160M2	1	Windscreen	[B,C] (14)
	3582160M2	1	Windscreen	[B,C,D] (14) From Serial or Engine Number B347019
18	3582161M2	1	Window	(14) Left Hand
18	3582161M2	1	Window	[B,D] (14) Left Hand From Serial or Engine Number B347019
19	3582162M2	1	Window	(14) Right Hand
19	3582162M2	1	Window	[B,D] (14) Right Hand From Serial or Engine Number B347019
20	3619235M1	2	Facing	(14) Repairs and replaces 3385469M1
20	3619235M1	2	Facing	[B,D] (14) From Serial or Engine Number B347019
21	3583499M2	1	Decal	For France only or any text in French only
	3583500M2	1	Decal	For UK only or any text in English only For United States of America For Sweden
21	3583501M3	1	Decal	For Italy only or any text in Italian only
	3583502M3	1	Decal	For Germany only or any text in German only
22	3616836M2	2	Glass Pane	[D,E]
			Not Used	
23	3616837M2	2	Glass Pane	[D,E] Bottom
23			Not Used	
24	3616838M1	2	Strap	[D,E]
			Not Used	
25	3009442X1	4	Screw Special	[D,E] M8X30

TRACTOR CAB-WINDOWS

Item	Part Number	Qty	Description	Comments
25			Not Used	
26	3713705M1	1	Decal	[F] For UK only or any text in English only
26	3713704M1	1	Decal	[F] For France only or any text in French only
26	3713706M1	1	Decal	[F] For Germany only or any text in German only
				[A] TEMPERED GLASS
				[B] LAMINATED GLASS
				[C] THE APPROPRIATE SAFETY DECALS MUST BE ORDERED AND FITTED TO THIS PART
				[D] JAPAN
				[E] AUSTRIA
				[F] WITH WET CLUTCH

1-AU06-007



MASSEY FERGUSON**MF 3690 TRACTOR - 1637223**

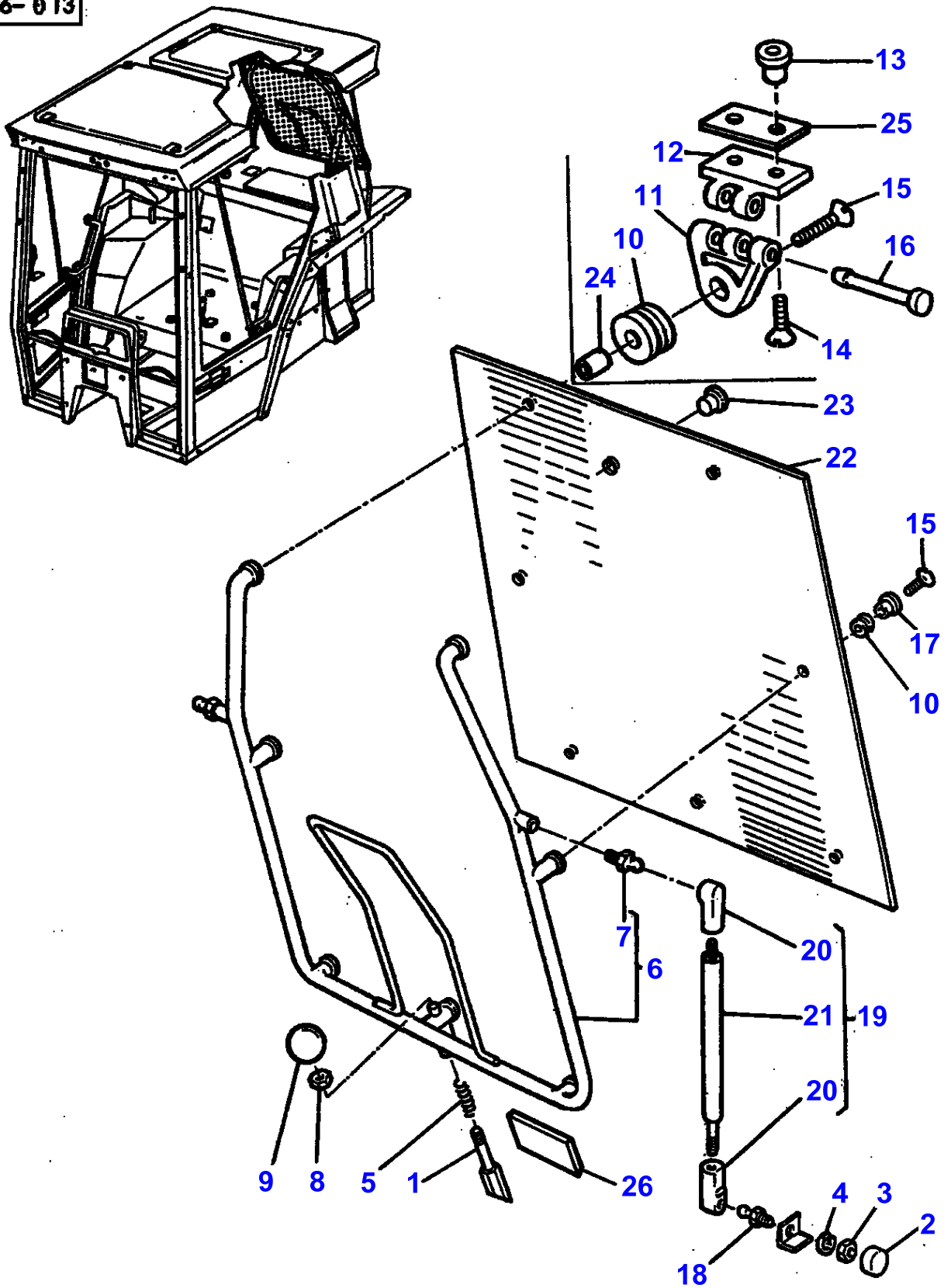
1637223

398

TRACTOR CAB-WINDOWS

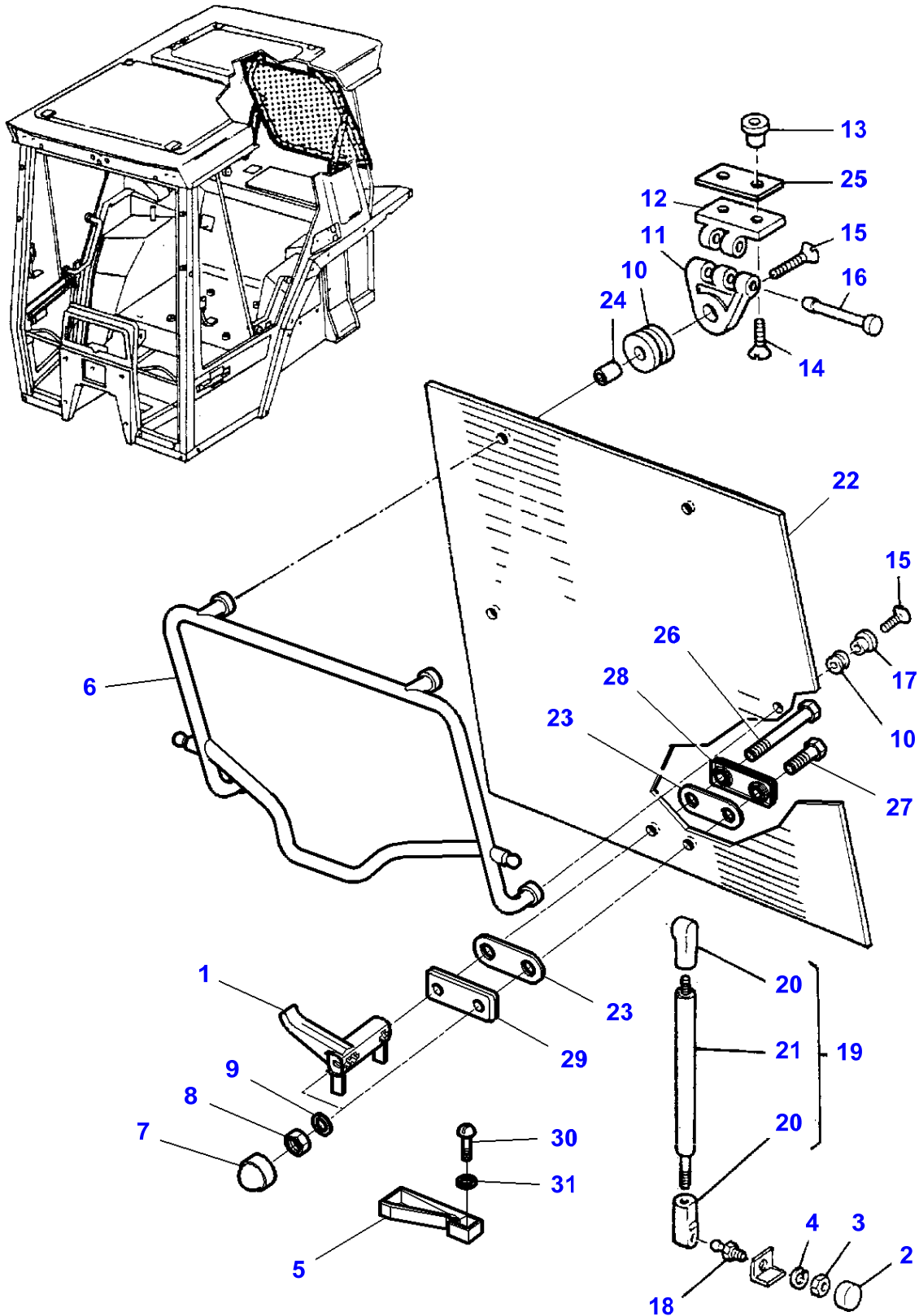
Item	Part Number	Qty	Description	Comments
1	3385182M1	2	Clevis Pin	
2	3385129M1	1	Handle	Left Hand
	3385128M1	1	Handle	Right Hand
3	339169X1	4	Nut Metric	
4	3385440M1	2	Support	
5	3385454M1	2	Clevis Pin	
6	3301815M1	4	Grommet	
7	3385133M1	4	Bush	
8	3009442X1	4	Screw Special	
9	3385446M1	2	Gasket	
10	3385132M1	2	Support	
11	390972X1	4	Washer Metric	
12	339374X1	4	Lock Washer	
13	339124X1	4	Screw Metric	
14	3616277M1	4	Muff	
15	1440522X1	2	Clip	

1-AU06-013



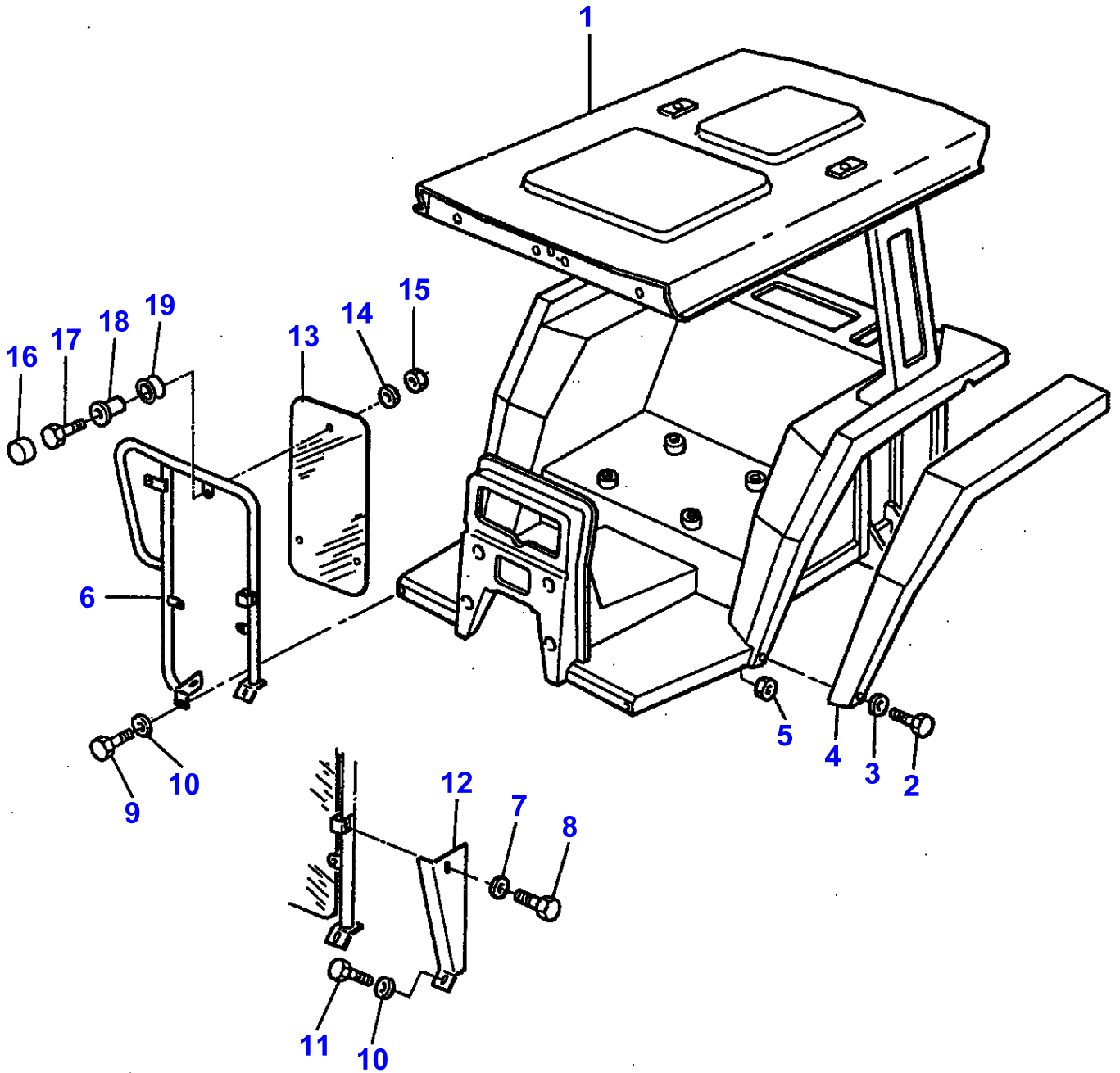
Item	Part Number	Qty	Description	Comments
				REAR WINDOW MECHANISM UP TO SERIAL NO C136021
1	3301918M1	1	Pin	
2	3616277M1	2	Muff	
3	339169X1	2	Nut Metric	
4	339374X1	2	Lock Washer	
5	3301919M1	1	Spring	
6	3389465M91	1	Handle	
7	3302443M1	2	Toggle	(6)
8	339169X1	1	Nut Metric	
9	1427704M1	1	Knob	
10	3301815M1	7	Grommet	
11	3301222M1	2	Hinge	
12	3301221M2	2	Hinge	
13	1427024M1	4	Nut	
14	3009440X1	4	Screw Special	
15	3009442X1	7	Screw Special	
16	3385322M1	2	Clevis Pin	
17	3385133M1	5	Bush	
18	3302443M1	2	Toggle	
19	3389556M2	2	Ram	
20	3902542M91	2	Toggle	(19) Repairs and replaces 3302442M91
21		1	Ram	(19) Not serviced, order REF 19
22	3389902M3	1	Glass Pane	DOT XXXX
23	3042671M1	1	Plug	
24	3301814M2	2	Spacer	
25	3615995M1	2	Strap	
26	3616780M91	1	Plate	[A] 30X15X2 Up to Serial or Engine Number [A] WITH ADHESIVE

1-AU06-021



Item	Part Number	Qty	Description	Comments
				REAR WINDOW MECHANISM FROM SERIAL NUMBER C136022
1	3619605M1	1	Handle	
2	3616277M1	2	Muff	
3	339169X1	2	Nut Metric	
4	339374X1	2	Lock Washer	
5	3619610M1	1	Thruster	
6	3618409M91	1	Handle	
7	3619609M1	4	Helmet	
8	3010442X1	2	Nut	
9	390734X1	2	Washer Metric	
10	3301815M1	4	Grommet	
11	3301222M1	2	Hinge	
12	3301221M2	2	Hinge	
13	1427024M1	4	Nut	
14	3009440X1	4	Screw Special	
15	3009442X1	4	Screw Special	
16	3385322M1	2	Clevis Pin	
17	3385133M1	2	Bush	
18	3302443M1	2	Toggle	
19	3389556M2	2	Ram	
20	3902542M91	2	Toggle	(19) Repairs and replaces 3302442M91
21		1	Ram	(19) Not serviced, order REF 19
22	3618433M2	1	Glass Pane	DOT XXXX
23	3619906M1	2	Gasket	
24	3301814M2	2	Spacer	
25	3615995M1	2	Strap	
26	3619907M1	1	Screw	
27	3619908M1	1	Screw	
28	3619603M1	1	Plate	
29	3619604M1	1	Plate	
30	391977X1	2	Bolt	
31	390971X1	2	Washer Metric	

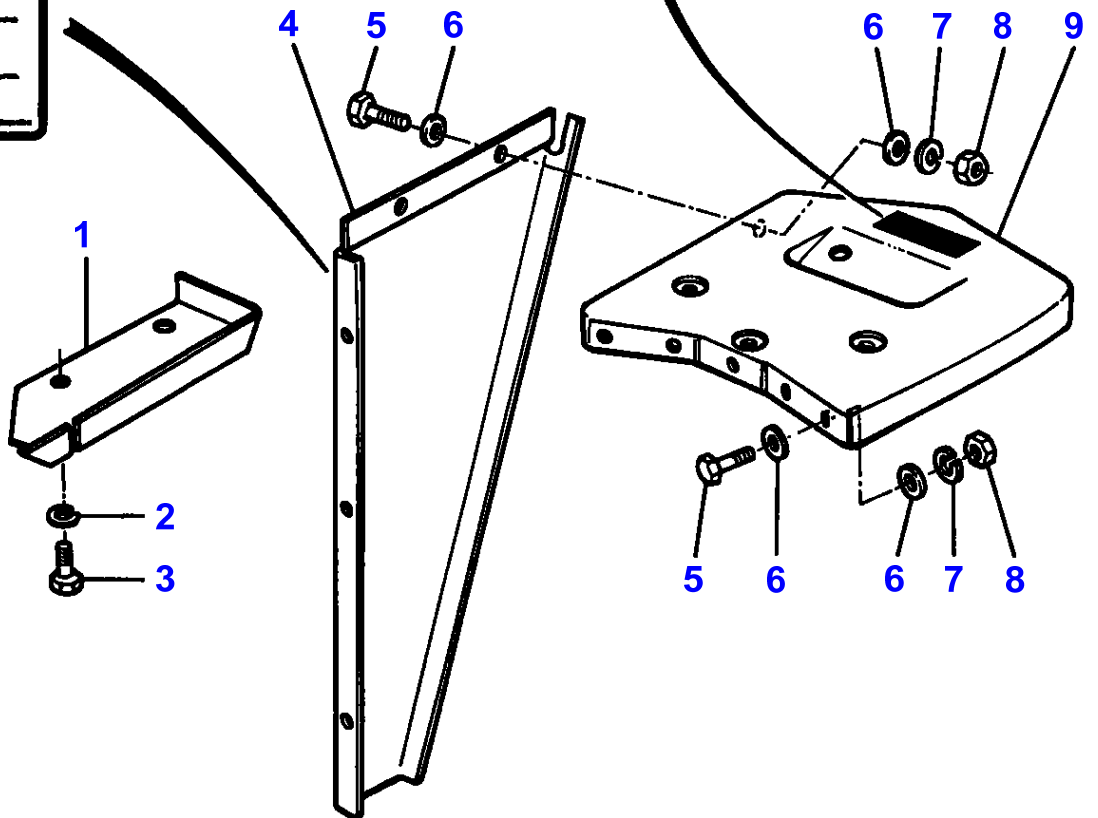
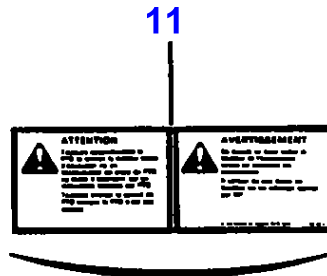
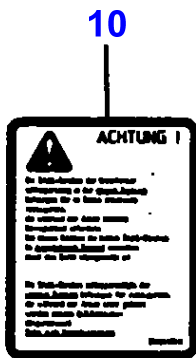
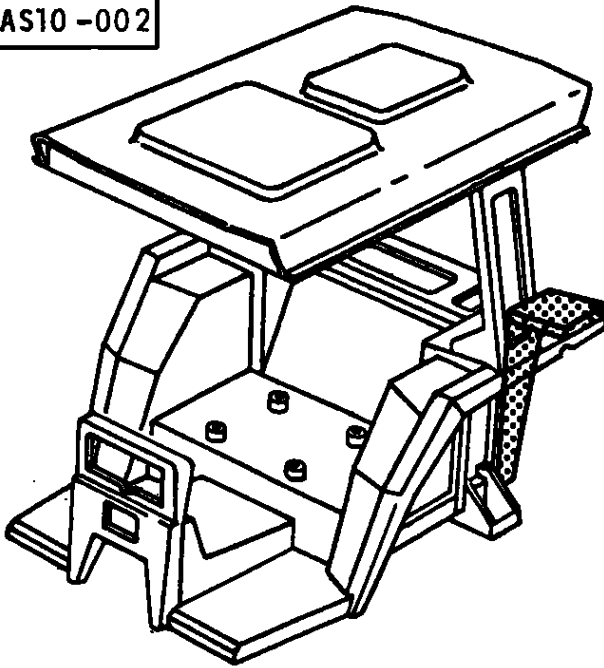
1-AS10-005



PLATFORM WITH PILLARS

Item	Part Number	Qty	Description	Comments
1	3616465M91	1	Platform	
2	339123X1	14	Screw Metric	M8X20
3	385361X1	20	Washer Metric	M8
4	3385423M91	1	Fender	Right Hand
	3385424M91	1	Fender	Left Hand
5	339169X1	6	Nut Metric	
6	3616328M91	1	Guideway	Left Hand
	3616329M91	1	Guideway	Right Hand
7	3580003M1	2	Spacer	
8	339368X1	2	Bolt Metric	M8X60
9	339123X1	2	Screw Metric	M8X20
10	391039X1	6	Washer Metric	
11	339337X1	6	Screw Metric	M8X30
12	3616785M1	1	Cowl	Left Hand
	3616786M1	1	Cowl	Right Hand
13	3616330M2	2	Window	43R-XXXXXX
14	390972X1	6	Washer Metric	
15	339169X1	6	Nut Metric	
16	3616277M1	6	Muff	
17	3009442X1	6	Screw Special	
18	3385133M1	6	Bush	
19	3301815M1	6	Grommet	

1-AS10-002



PLATFORM WITH PILLARS

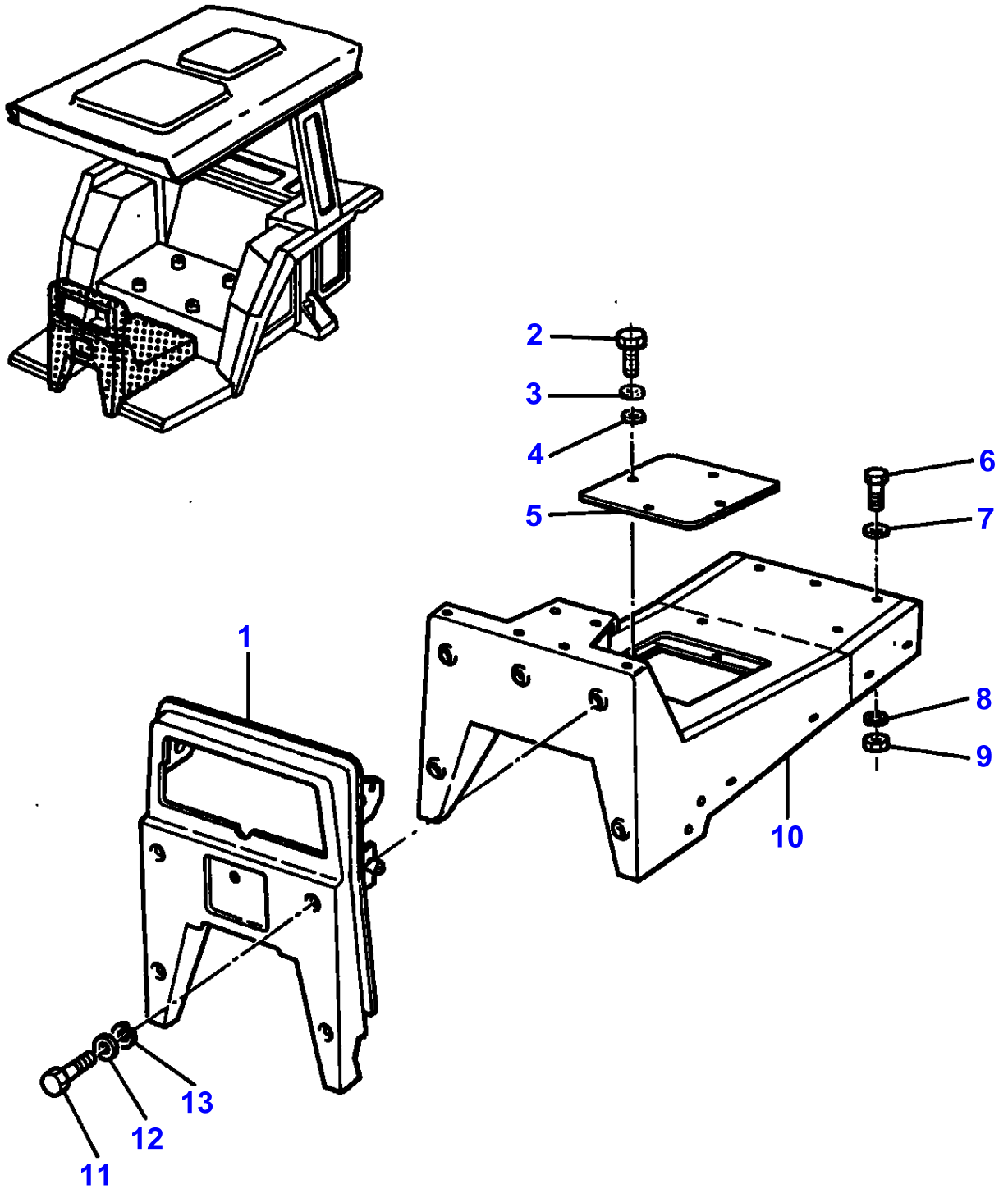
Item	Part Number	Qty	Description	Comments
1	3385422M1	1	Cowl	Left Hand
	3385421M1	1	Cowl	Right Hand
2	390971X1	4	Washer Metric	
3	339560X1	4	Screw Metric	
4	3385405M92	1	Skirt	[A] Left Hand
4	3385404M1	1	Skirt	Right Hand
5	339123X1	22	Screw Metric	
6	385361X1	44	Washer Metric	
	22428X	4	Lock Washer	
7	339374X1	22	Lock Washer	
8	339169X1	22	Nut Metric	
9	3385416M92	1	Extension	[A] Left Hand
9	3385415M91	1	Extension	Right Hand
10	3583497M1	1	Decal	For Germany only or any text in German only
11	3581564M1	1	Decal	For France only or any text in French only
	3581566M1	1	Decal	For Italy only or any text in Italian only
	3581563M1	1	Decal	For UK only or any text in English only
				For United States of America
11	3618264M1	1	Decal	For Sweden
	3581567M1	1	Decal	[B]
	3581568M1	1	Decal	[C]

[A]
THE APPROPRIATE SAFETY DECALS MUST BE ORDERED AND FITTED TO THIS PART

[B]
ARABIC

[C]
SPANISH TEXT

1-AS09-001



MASSEY FERGUSON**MF 3690 TRACTOR - 1637223**

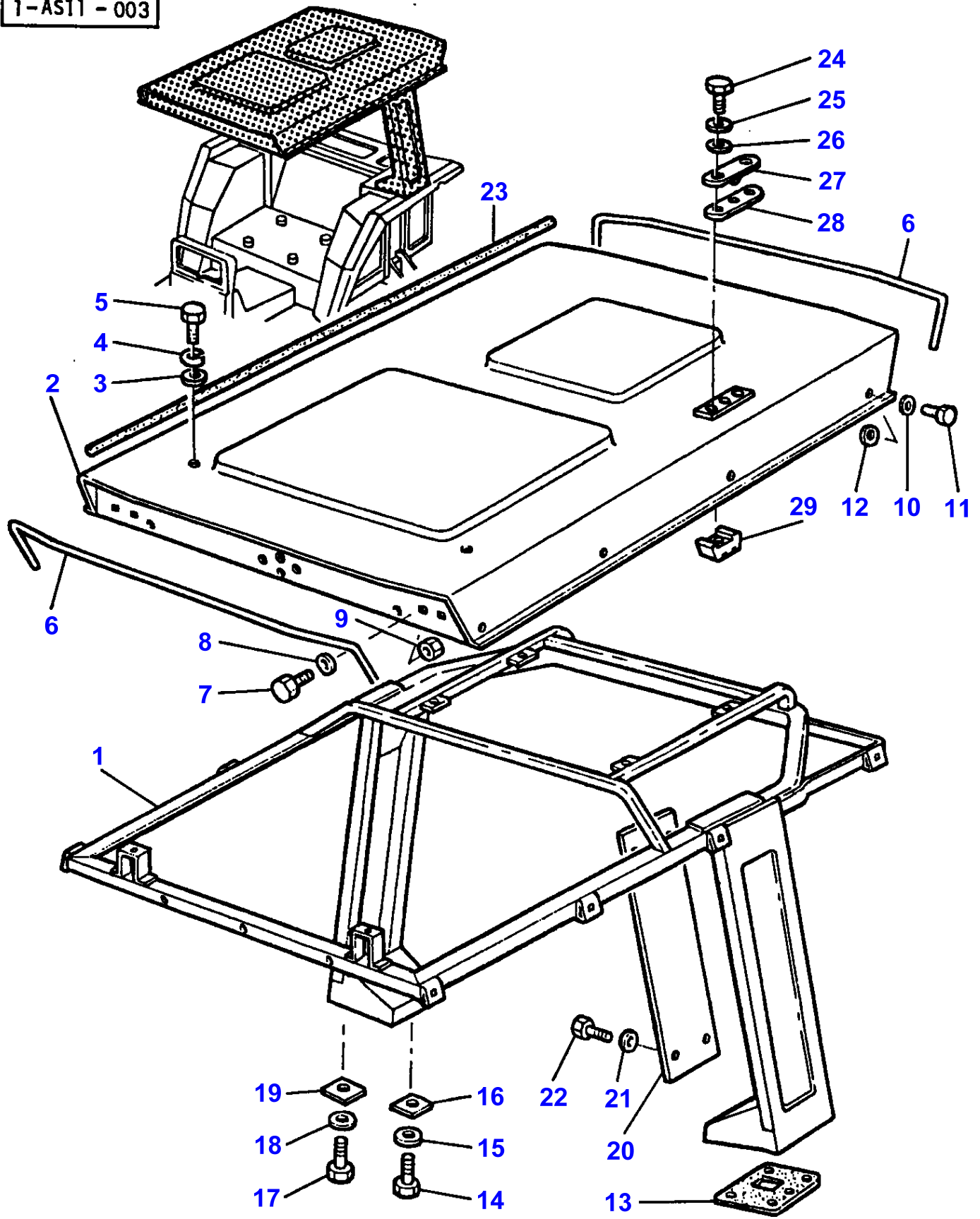
1637223

403

PLATFORM-FRONT SIDE - TUNNEL

Item	Part Number	Qty	Description	Comments
1	3616463M91	1	Chassis	
2	391074X1	4	Screw Metric	
3	339375X1	4	Lock Washer	
4	390971X1	4	Washer Metric	
5	3385075M1	1	Cover	
6	339123X1	13	Screw Metric	M8X20
	339009X1	2	Bolt Metric	M8X35
7	390972X1	23	Washer Metric	
8	339374X1	1	Lock Washer	
9	339169X1	8	Nut Metric	
10	3616424M91	1	Tunnel	
11	339123X1	5	Screw Metric	
12	390972X1	5	Washer Metric	
13	339374X1	5	Lock Washer	

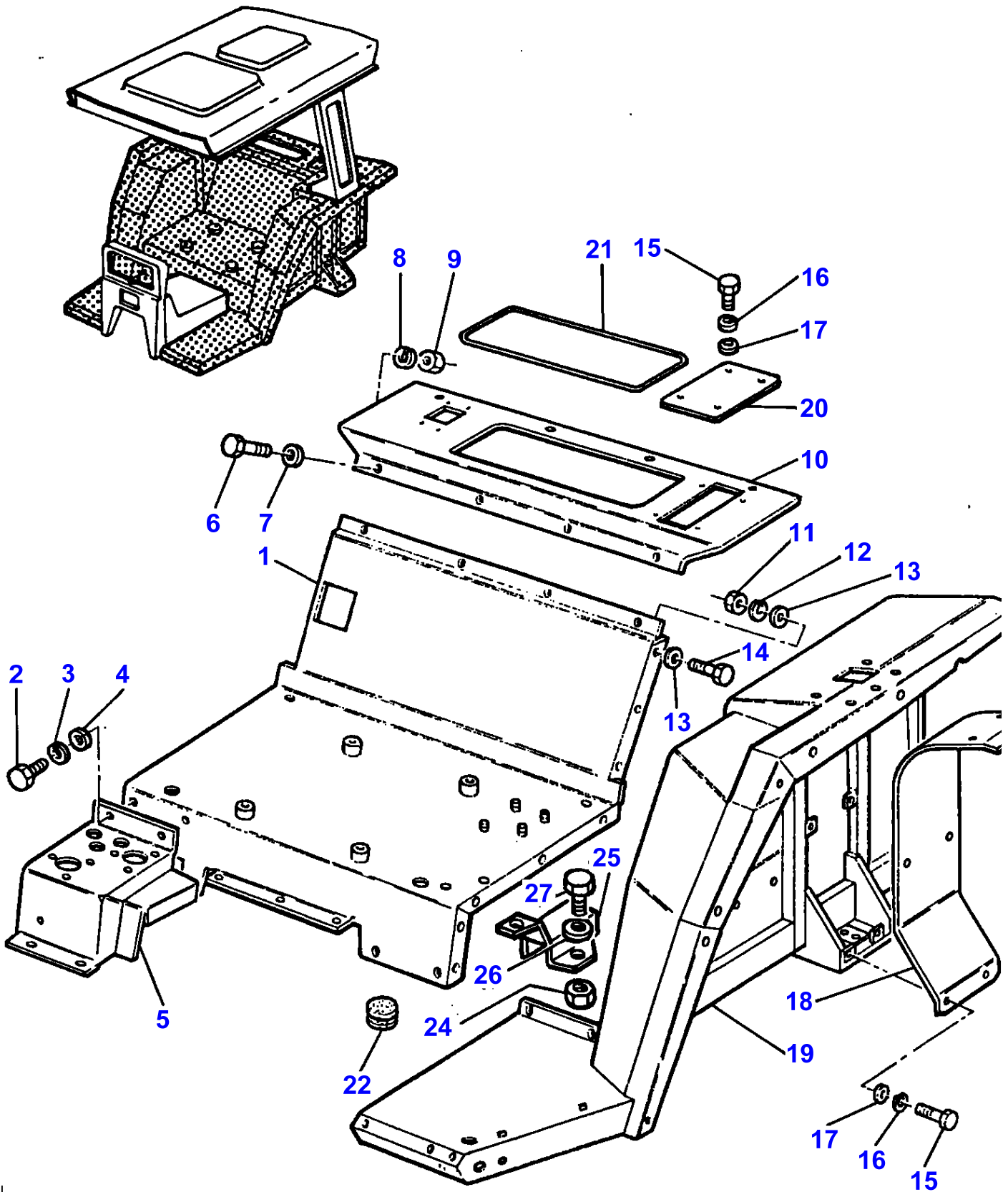
1-AST11 - 003



PLATFORM WITH PILLARS-ROOF

Item	Part Number	Qty	Description	Comments
1	3580328M91	1	Frame	
2	3580023M91	1	Roof	
3	339374X1	6	Lock Washer	
4	390972X1	6	Washer Metric	
5	339123X1	6	Screw Metric	
6	3580695M1	2	Gasket	
7	339123X1	8	Screw Metric	
8	390972X1	8	Washer Metric	
9	392439X1	8	Nut Special	
10	390971X1	14	Washer Metric	
11	339560X1	14	Screw Metric	
12	339375X1	14	Lock Washer	
13	3385205M1	1	Gasket	Right Hand
	3385206M1	1	Gasket	Left Hand
14	395316X1	4	Bolt Metric	
15	339377X1	4	Lock Washer	
16	3385189M1	4	Counterplate	
17	391870X1	6	Screw	
18	339380X1	6	Washer	
19	3385250M2	6	Gasket	
20	3580474M1	2	Plate	
21	3019560X1	8	Washer	
22	3000926X1	8	Screw	M5X10
23	3615793M1	2	Gasket	Up to Serial or Engine Number A049001
24	339124X1	2	Screw Metric	
25	390972X1	2	Washer Metric	
26	3301742M1	2	Washer	
27	3041658M91	2	Plate	
28	3041661M1	2	Gasket	
29	392439X1	2	Nut Special	

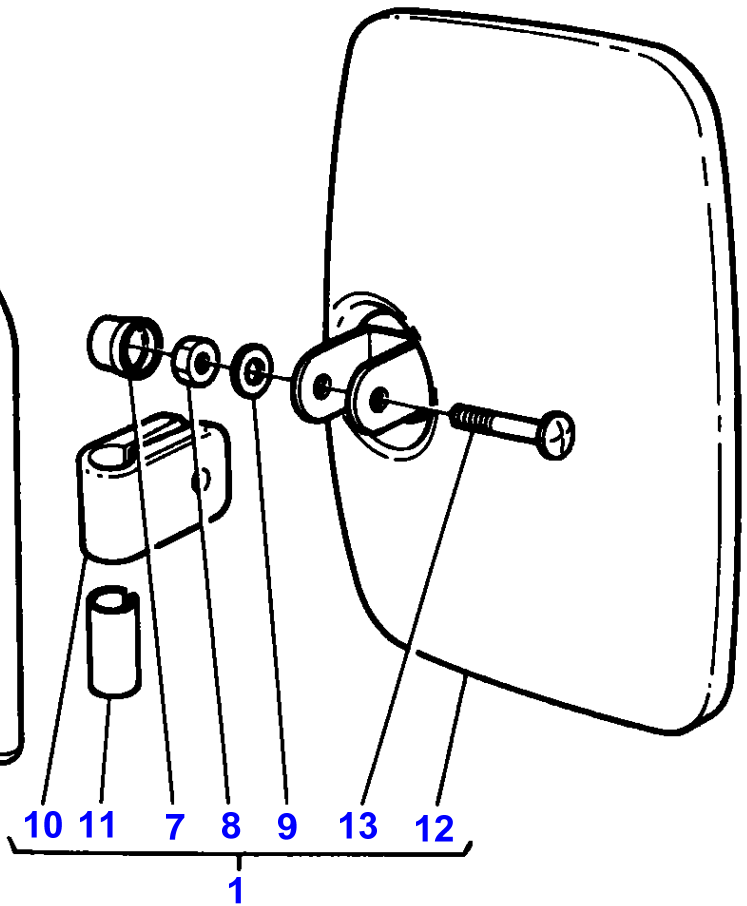
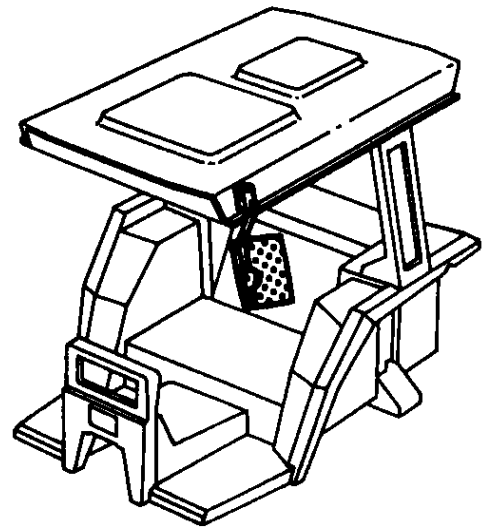
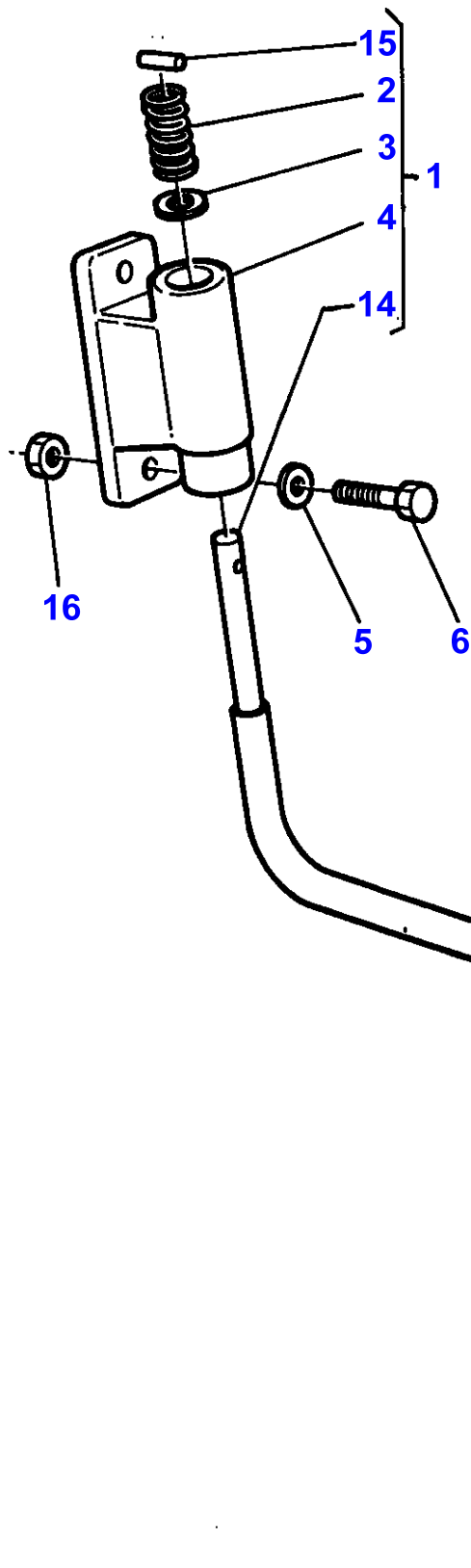
1-AS14-002



FENDERS AND PLATFORM

Item	Part Number	Qty	Description	Comments
1	3385076M95	1	Support	
2	339124X1	4	Screw Metric	
3	339374X1	4	Lock Washer	
4	390972X1	4	Washer Metric	
5	3385329M92	1	Support	
6	339761X1	4	Screw Metric	
7	390972X1	12	Washer Metric	
8	339374X1	8	Lock Washer	
9	339169X1	8	Nut Metric	
10	3385083M92	1	Transverse	
11	339169X1	16	Nut Metric	
12	339374X1	20	Lock Washer	
13	390972X1	36	Washer Metric	
14	339123X1	20	Screw Metric	
15	391074X1	16	Screw Metric	
16	339375X1	16	Lock Washer	
17	390971X1	16	Washer Metric	
18	3385091M1	2	Cowl	
19	3580058M93	1	Bottom Frame	Right Hand
	3385048M92	1	Bottom Frame	Left Hand
20	3580507M1	1	Plate	
21	3580695M1	1	Gasket	Length 1600MM
22	3042523M1	18	Plug	Diameter 10/15MM
24	390333X1	1	Nut Metric	
25	3580473M1	1	Cowl	
26	391039X1	1	Washer Metric	
27	339124X1	1	Screw Metric	

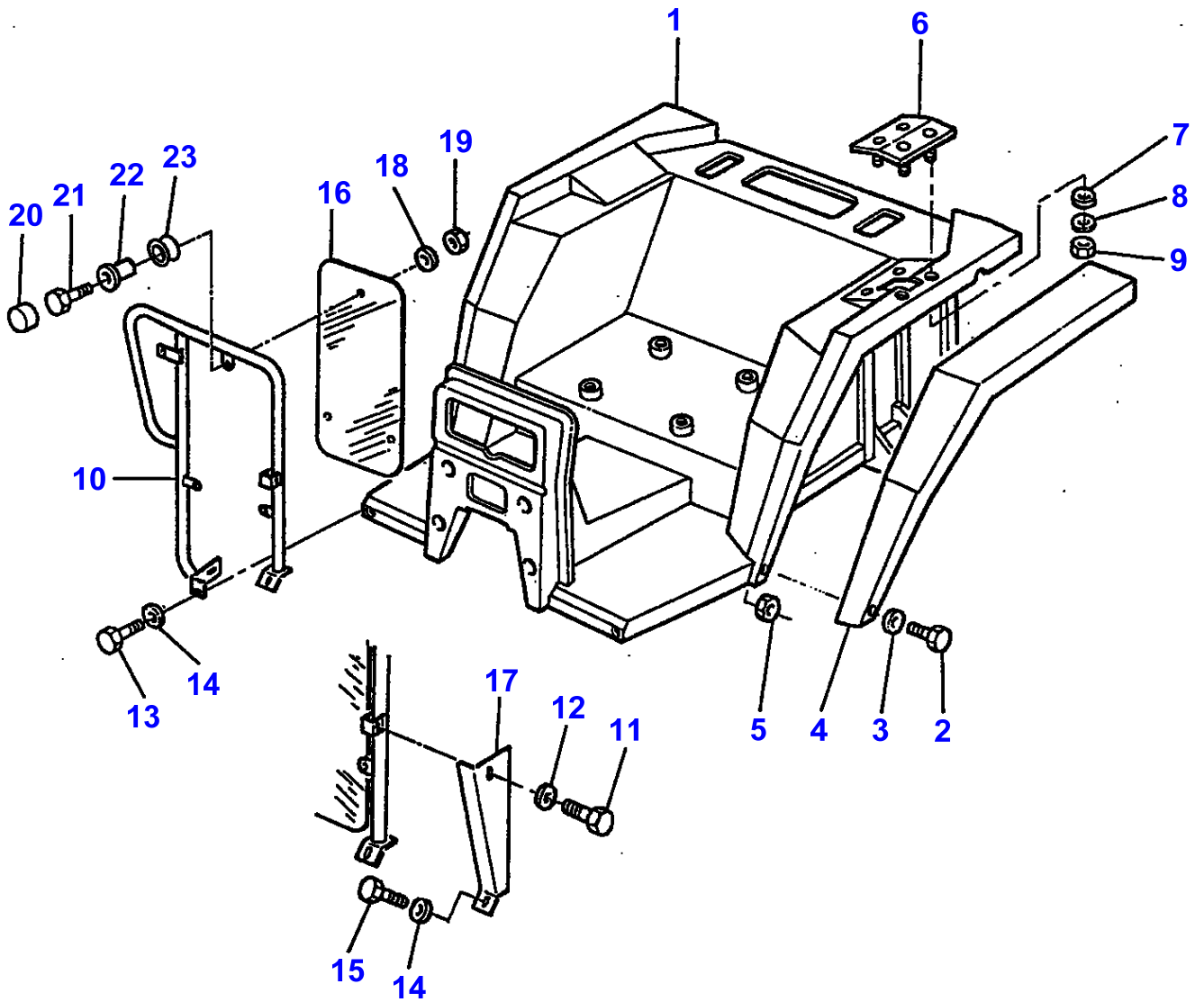
1-AS10-003



PLATFORM WITH PILLARS - MIRROR

Item	Part Number	Qty	Description	Comments
				MIRROR
1	3615034M1	1	Mirror	Left Hand
	3615035M1	1	Mirror	Right Hand
2	3105252M1	1	Spring	(1)
3	390735X1	1	Nut	(1)
4	3106290M1	1	Support	(1)
				Left Hand
4	3106289M1	1	Support	(1)
				Right Hand
5	339588X1	2	Washer	
6	339666X1	2	Screw Metric	M6X20
7	3105260M1	1	Helmet	(1)
8	1441462X1	1	Locknut	(1)
9	390971X1	1	Washer Metric	(1)
10	3105259M1	1	Clamp	(1)
11	3105258M1	1	Bush	(1)
12	3104954M1	1	Mirror	(1)
13	3100351M1	1	Screw	(1)
14	3106288M1	1	Arm	(1)
				Left Hand
14	3106287M1	1	Arm	(1)
				Right Hand
15	390219X1	1	Pin	(1)
16	339030X1	2	Nut Metric	M6

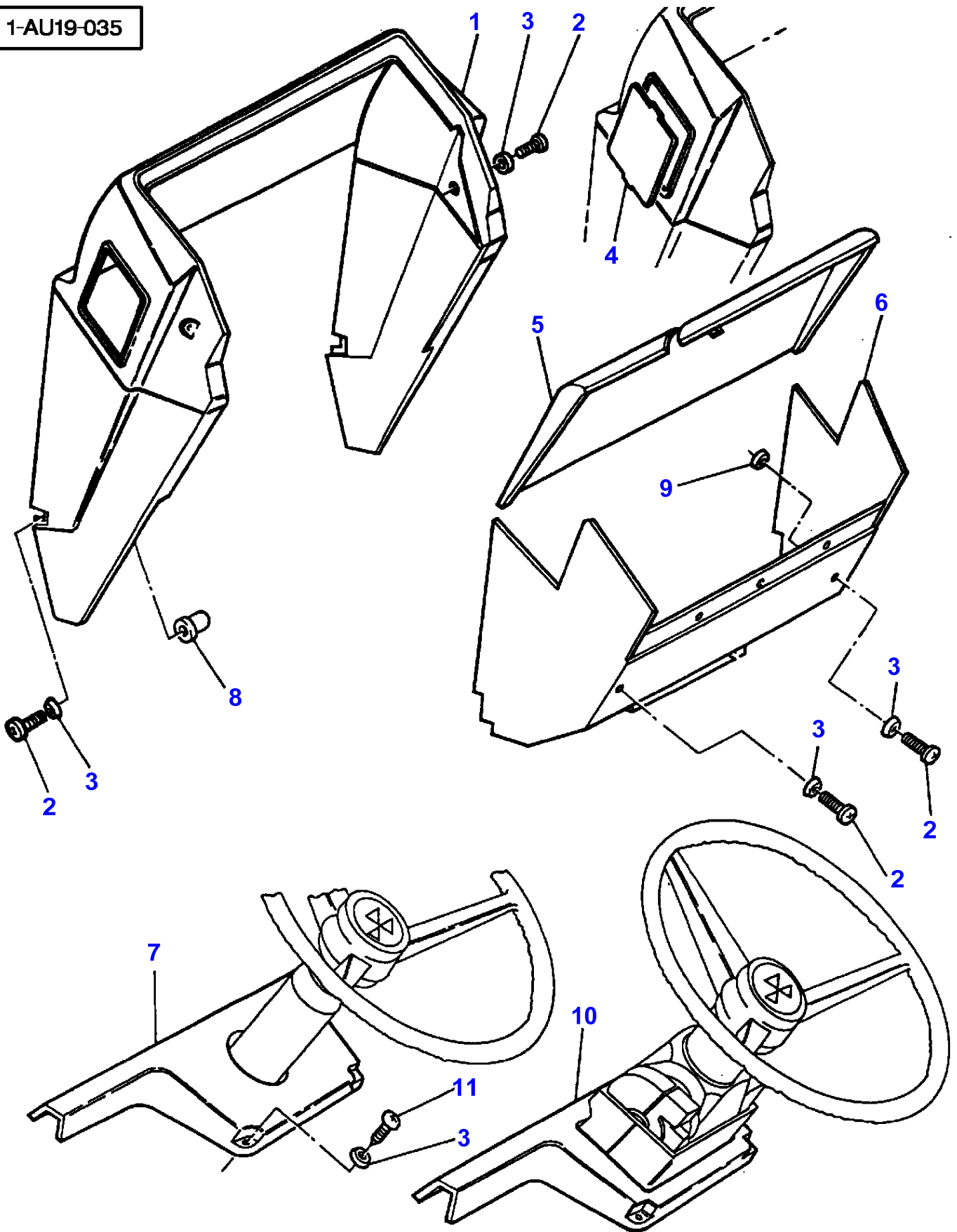
1-AS13-003



PLATFORM WITHOUT PILLARS

Item	Part Number	Qty	Description	Comments
1	3616464M91	1	Platform	
2	339123X1	14	Screw Metric	M8X20
3	385361X1	20	Washer Metric	
4	3385423M91	1	Fender	Right Hand
	3385424M91	1	Fender	Left Hand
5	339169X1	6	Nut Metric	
6	3580532M92	1	Plate	Left Hand M6
6	3581101M92	1	Plate	Right Hand M6
7	391039X1	6	Washer Metric	M8
	390036X1	6	Washer	M6
8	339374X1	6	Lock Washer	M8
	391130X1	6	Lock Washer	M6
9	339169X1	6	Nut Metric	M8
	339030X1	6	Nut Metric	M6
10	3616328M91	1	Guideway	Left Hand
	3616329M91	1	Guideway	Right Hand
11	339368X1	2	Bolt Metric	M8X60
12	3580003M1	2	Spacer	
13	339123X1	2	Screw Metric	M8X20
14	391039X1	6	Washer Metric	
15	339337X1	6	Screw Metric	M8X30
16	3616330M2	2	Window	43R-XXXXXX
17	3616786M1	1	Cowl	Right Hand
	3616785M1	1	Cowl	Left Hand
18	390972X1	6	Washer Metric	
19	339169X1	6	Nut Metric	
20	3616277M1	6	Muff	
21	3009442X1	6	Screw Special	
22	3385133M1	6	Bush	
23	3301815M1	6	Grommet	

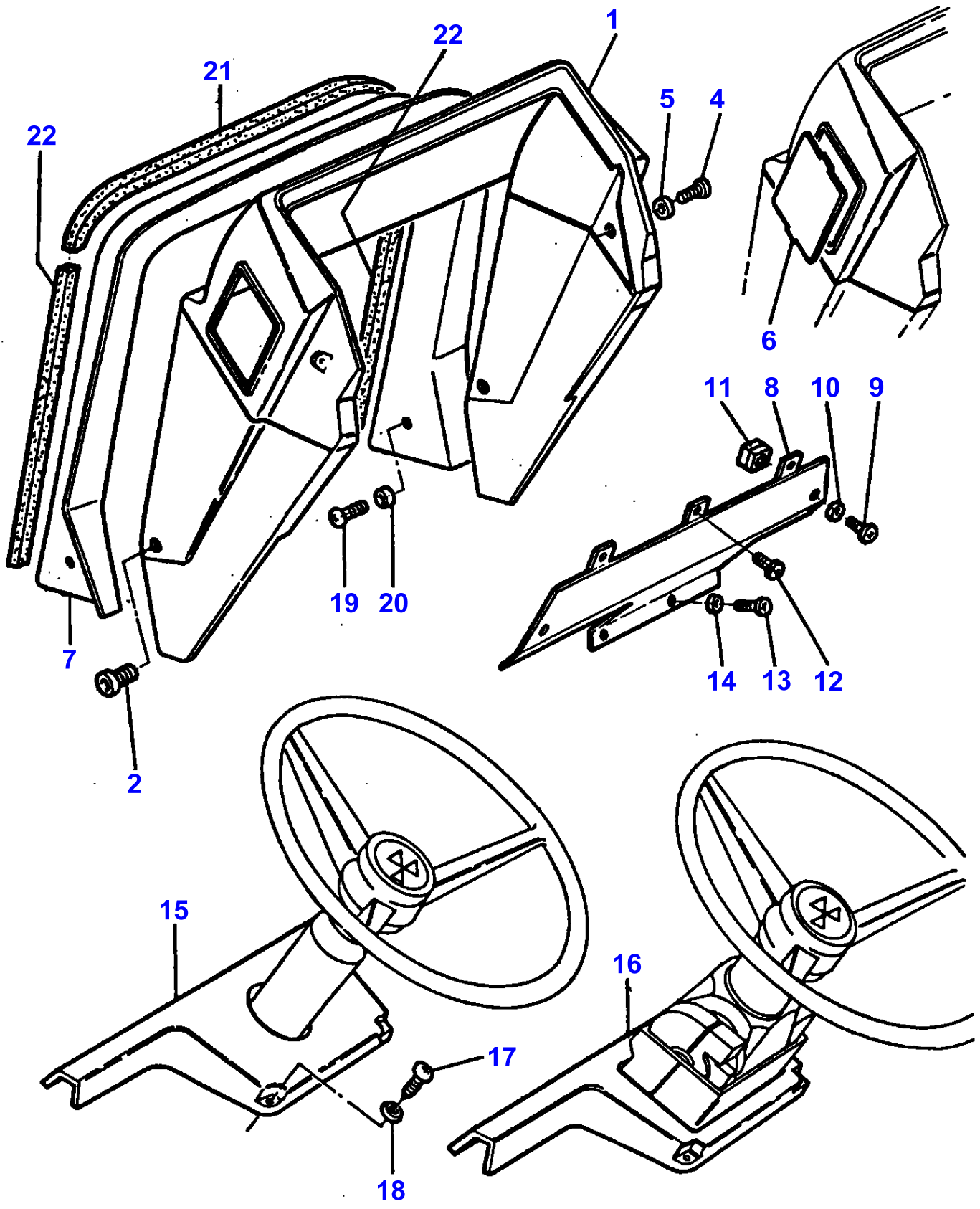
1-AU19-035



TRACTOR CAB-CLADDING - INSTRUMENT PANEL

Item	Part Number	Qty	Description	Comments
				INSTRUMENT PANEL
1	3615475M91	1	Housing	
2	3580257M1	9	Screw	
3	1427000M1	7	Washer	
4	3385392M1	1	Trap	
5	3388281M2	1	Panel	
6	3388285M4	1	Panel	
7	3388269M1	1	Panel	
8	3580003M1	2	Spacer	
9	3615557M1	2	Boxnut	
10	3387772M2	1	Panel	
11	3389854M1	2	Self Tap Screws	

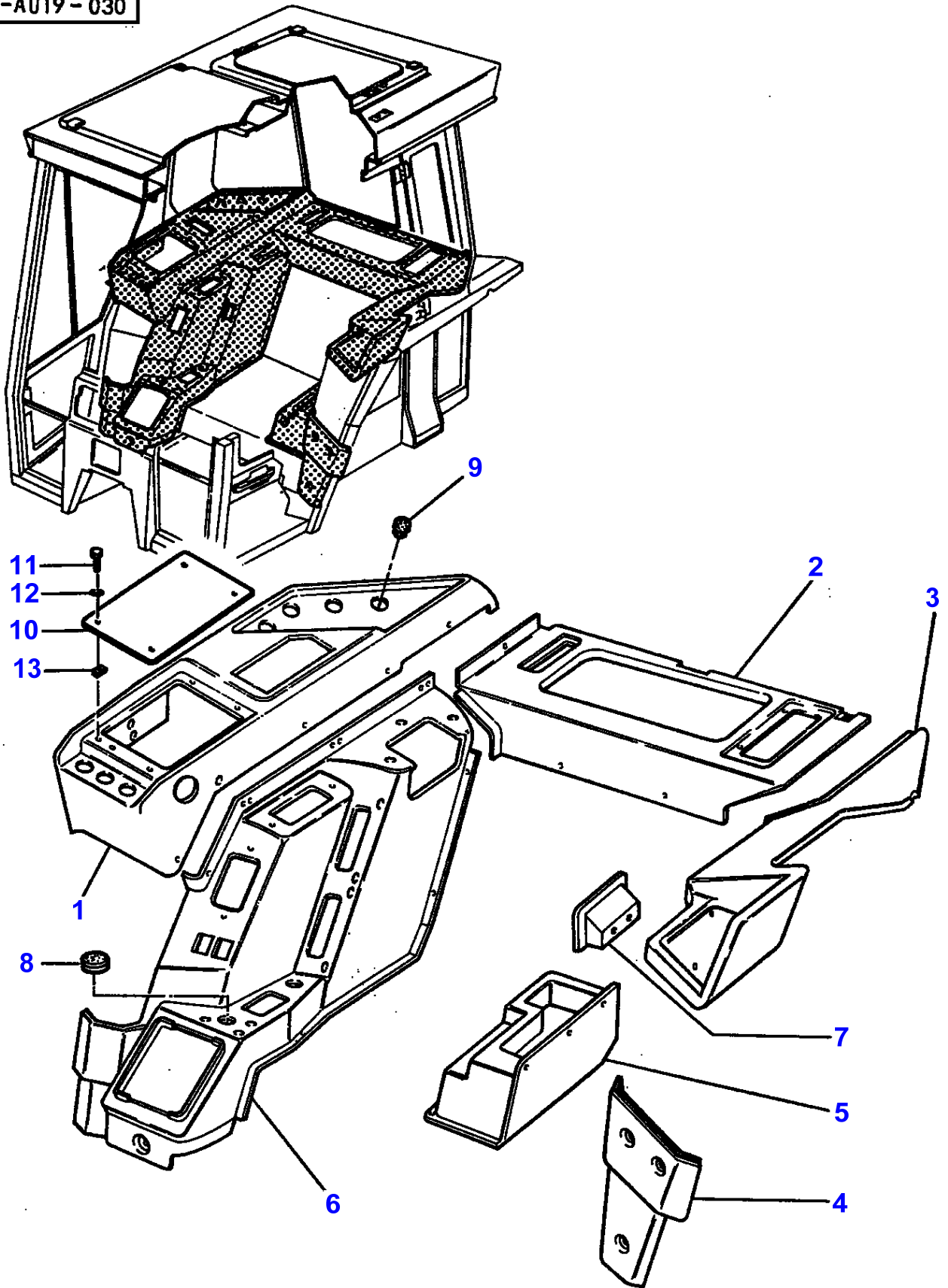
1-AS08-002



PLATFORM-INSTRUMENT PANEL CLADDING

Item	Part Number	Qty	Description	Comments
1	3615475M91	1	Housing	
2	3580003M1	2	Spacer	
4	3389857M1	1	Screw	
5	1427000M1	1	Washer	
6	3385392M1	1	Trap	
7	3580076M1	1	Moulding	
8	3389796M92	1	Plate	
9	3389857M1	2	Screw	
10	1427000M1	2	Washer	
11	3615557M1	2	Boxnut	
12	3389857M1	3	Screw	
13	3389857M1	1	Screw	
14	1427000M1	1	Washer	
15	3388269M1	1	Panel	
16	3387772M2	1	Panel	
17	3389854M1	2	Self Tap Screws	
18	1427000M1	2	Washer	
19	3580117M1	2	Self Tap Screws	
20	390469X1	2	Washer Metric	
	339375X1	1	Lock Washer	DIA. 6,1
21	3581066M1	1	Gasket	
22	3580871M1	2	Gasket	Up to Serial or Engine Number S247032
	3616790M1	2	Gasket	From Serial or Engine Number S247033

1-AU19-030



TRACTOR CAB-CLADDING - LOWER COMPONENT

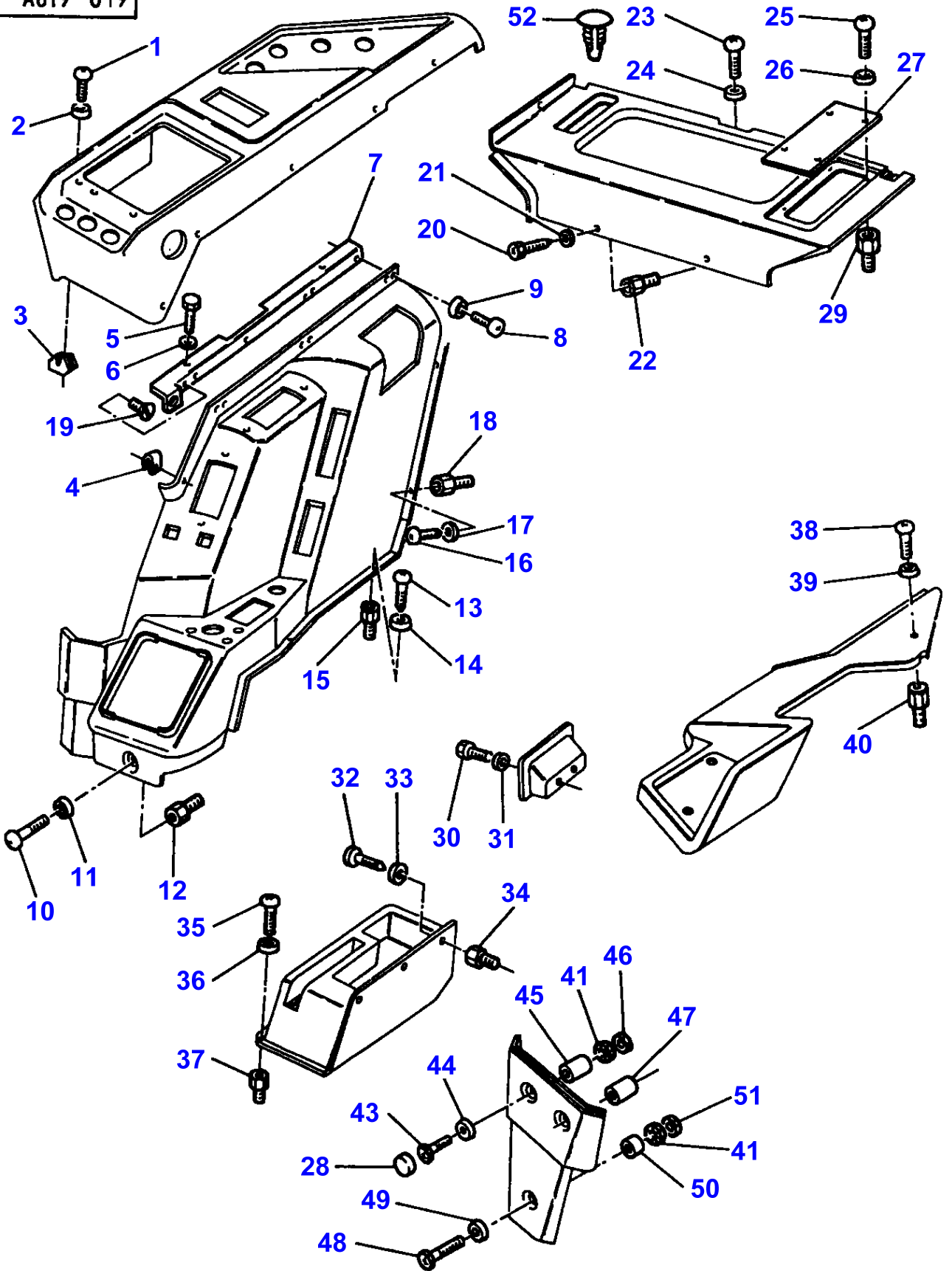
Item	Part Number	Qty	Description	Comments
				LOWER COMPONENT
1	3580059M2	1	Console	
2	3388839M2	1	Rear Window	Up to Serial or Engine Number C139005
	3618551M2	1	Rear Window	From Serial or Engine Number C139006
3	3388334M1	1	Moulding	
	3615778M1	1	Moulding	[C]
4	3388332M1	1	Protector	
5	3615866M1	1	Moulding	
6	3615325M1	1	Console	Up to Serial or Engine Number A174007
	3615325M3	1	Console	From Serial or Engine Number A174008
7	3385325M1	1	Cup	
8	3580599M1	1	Plug	[B]
9	3380422M2	6	Plug	[A]
10	3615986M1	1	Plate	[A]
11	3389857M1	4	Screw	[A]
				M5X16
12	1427000M1	4	Washer	[A]
13	3580062M1	4	Nut	[A]

[A]
WITHOUT HYDRAULIC LIFT

[B]
WITHOUT FRONTAL PTO

[C]
AUSTRIA

1-AU19-019

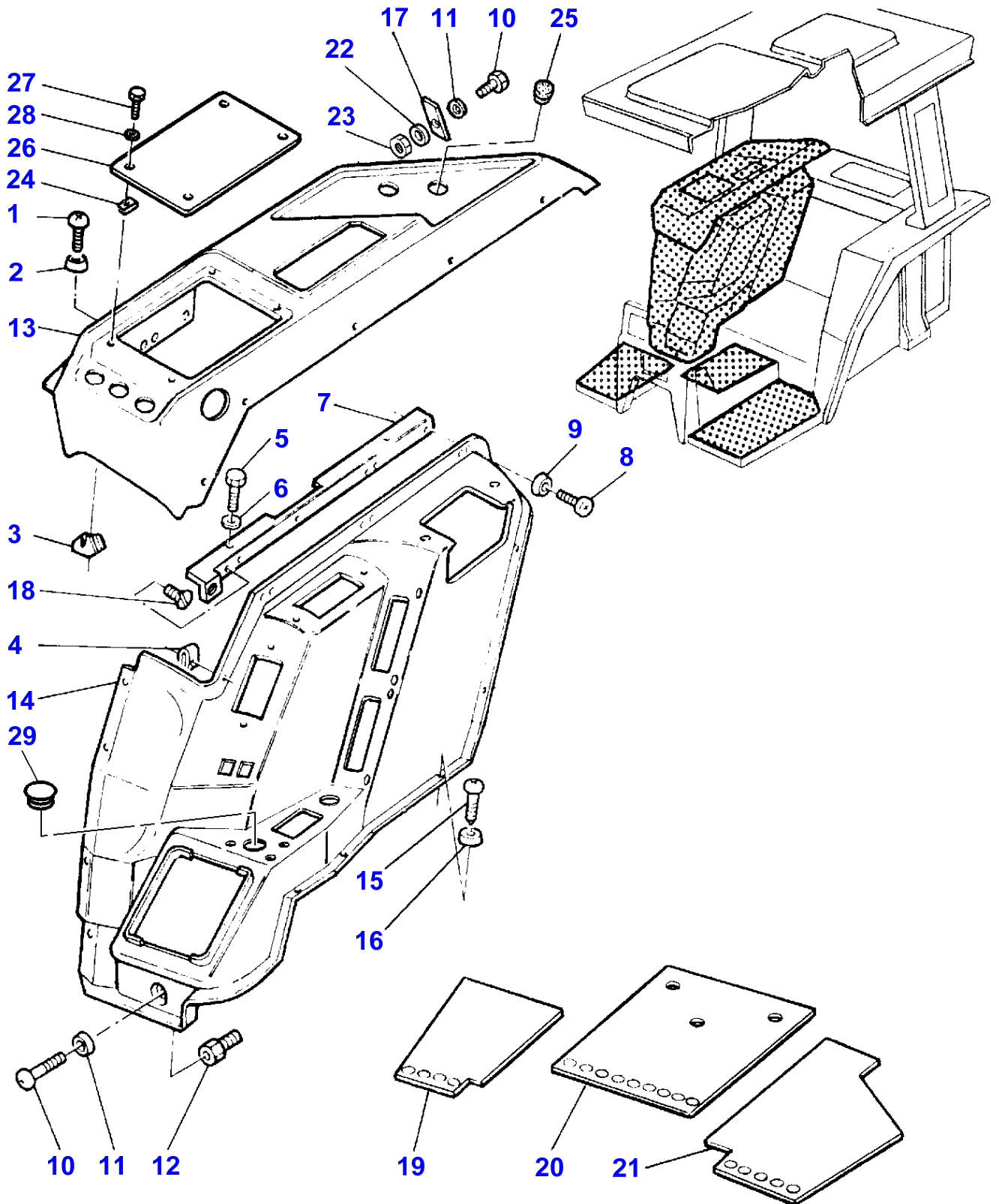


TRACTOR CAB-CLADDING - BRACKETS AND ASSEMBLING PARTS

Item Part Number Qty Description Comments
BRACKETS AND ASSEMBLING PARTS

Item	Part Number	Qty	Description	Comments
1	3389854M1	2	Self Tap Screws	
2	353753X1	2	Washer	
3	3302890M1	2	Spacer	
4	3388231M1	1	Nut	
5	391074X1	2	Screw Metric	
6	390971X1	2	Washer Metric	
7	3388814M93	1	Support	
8	3580257M1	5	Screw	
9	1427000M1	5	Washer	
10	3389857M1	1	Screw	
11	1427000M1	1	Washer	
12	3580374M1	1	Spacer	
13	3389857M1	2	Screw	
14	1427000M1	2	Washer	
15	3580372M1	2	Spacer	
16	3389857M1	2	Screw	
17	1427000M1	2	Washer	
18	3580372M1	2	Spacer	
19	392404X1	2	Screw	
20	3389857M1	2	Screw	
21	1427000M1	2	Washer	
22	3580148M1	2	Spacer	
23	3389854M1	1	Self Tap Screws	
24	1427000M1	1	Washer	
25	3389857M1	4	Screw	
26	1427000M1	4	Washer	
27	3388997M1	1	Plate	
28	3616277M1	2	Muff	Repairs and replaces 1427090M1
29	3580374M1	4	Spacer	
30	339560X1	2	Screw Metric	
31	390971X1	2	Washer Metric	
32	3389857M1	3	Screw	
33	1427000M1	3	Washer	
34	3580372M1	3	Spacer	
35	3389857M1	3	Screw	
36	1427000M1	3	Washer	
37	3580372M1	3	Spacer	
38	3389857M1	1	Screw	
39	1427000M1	1	Washer	
40	3580373M1	1	Spacer	
41	339374X1	3	Lock Washer	
43	339011X1	2	Bolt Metric	
44	390972X1	2	Washer Metric	
45	3389368M1	1	Spacer	
46	339169X1	2	Nut Metric	
47	3580238M1	1	Spacer	
48	339337X1	1	Screw Metric	
49	390972X1	1	Washer Metric	
50	3389365M1	1	Spacer	
51	339169X1	1	Nut Metric	
52	3581265M1	2	Plug	

1-AS07-012



PLATFORM-CLADDING

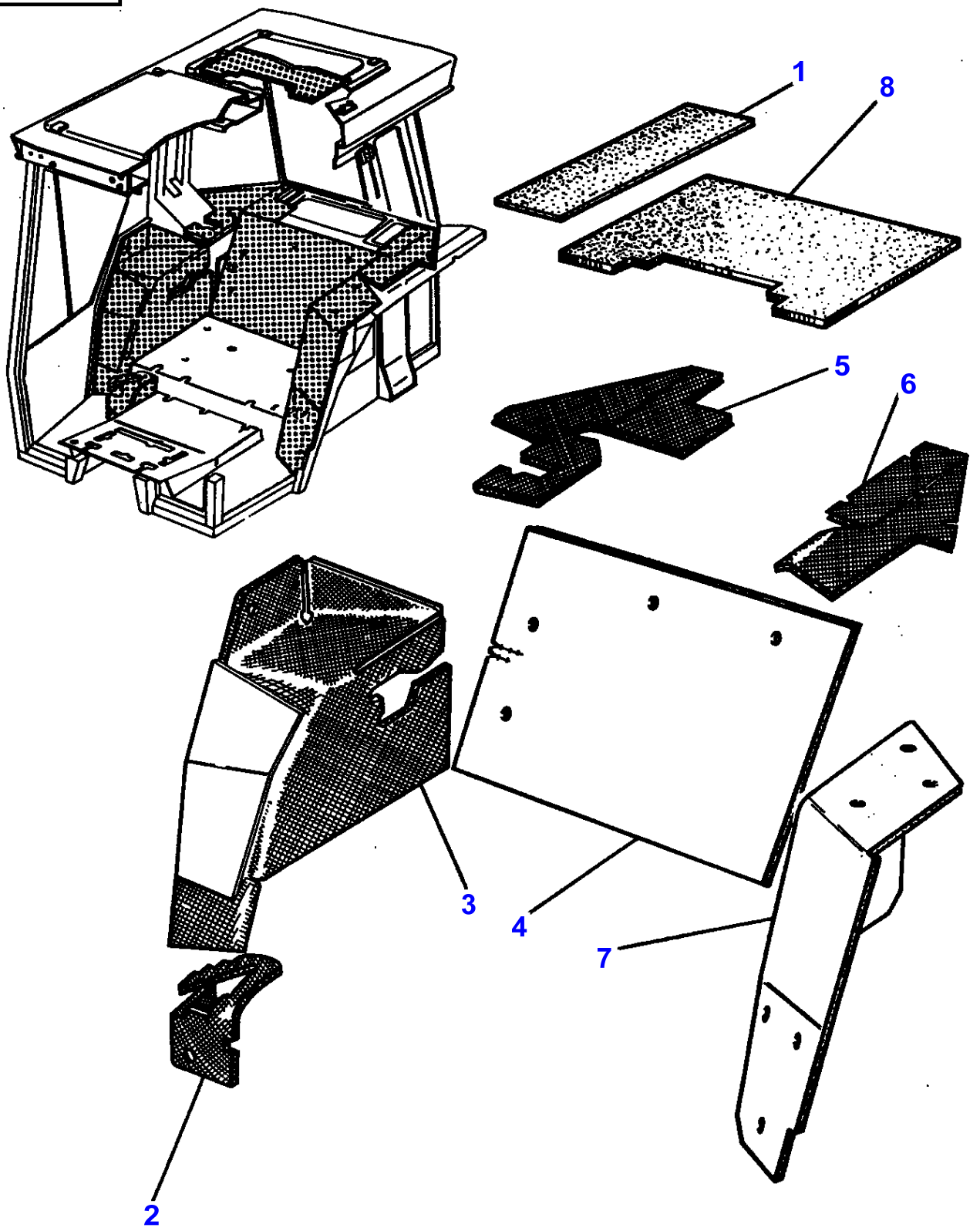
Item	Part Number	Qty	Description	Comments
1	3389854M1	6	Self Tap Screws	
2	1427000M1	2	Washer	
3	3302890M1	6	Spacer	
4	3388231M1	1	Nut	
5	391074X1	2	Screw Metric	
6	390971X1	2	Washer Metric	
7	3388814M93	1	Support	
8	3580257M1	5	Screw	
9	1427000M1	5	Washer	
10	3389857M1	2	Screw	
11	1427000M1	2	Washer	
12	3580374M1	1	Spacer	
13	3580074M2	1	Console	[A]
	3580075M2	1	Console	[B]
14	3615326M3	1	Console	
15	3007934X1	4	Screw Metric	
16	390971X1	4	Washer Metric	
17	3580622M91	1	Strap	
18	392404X1	2	Screw	
19	3580415M1	1	Mat	
20	3580417M1	1	Mat	
21	3580416M1	1	Mat	
22	390972X1	1	Washer Metric	
23	339169X1	1	Nut Metric	
24	3580599M1	1	Plug	[C]

[A]
PLATFORM WITH PILLARS

[B]
PLATFORM WITHOUT PILLARS

[C]
WITHOUT FRONTAL PTO

1-AU11-010

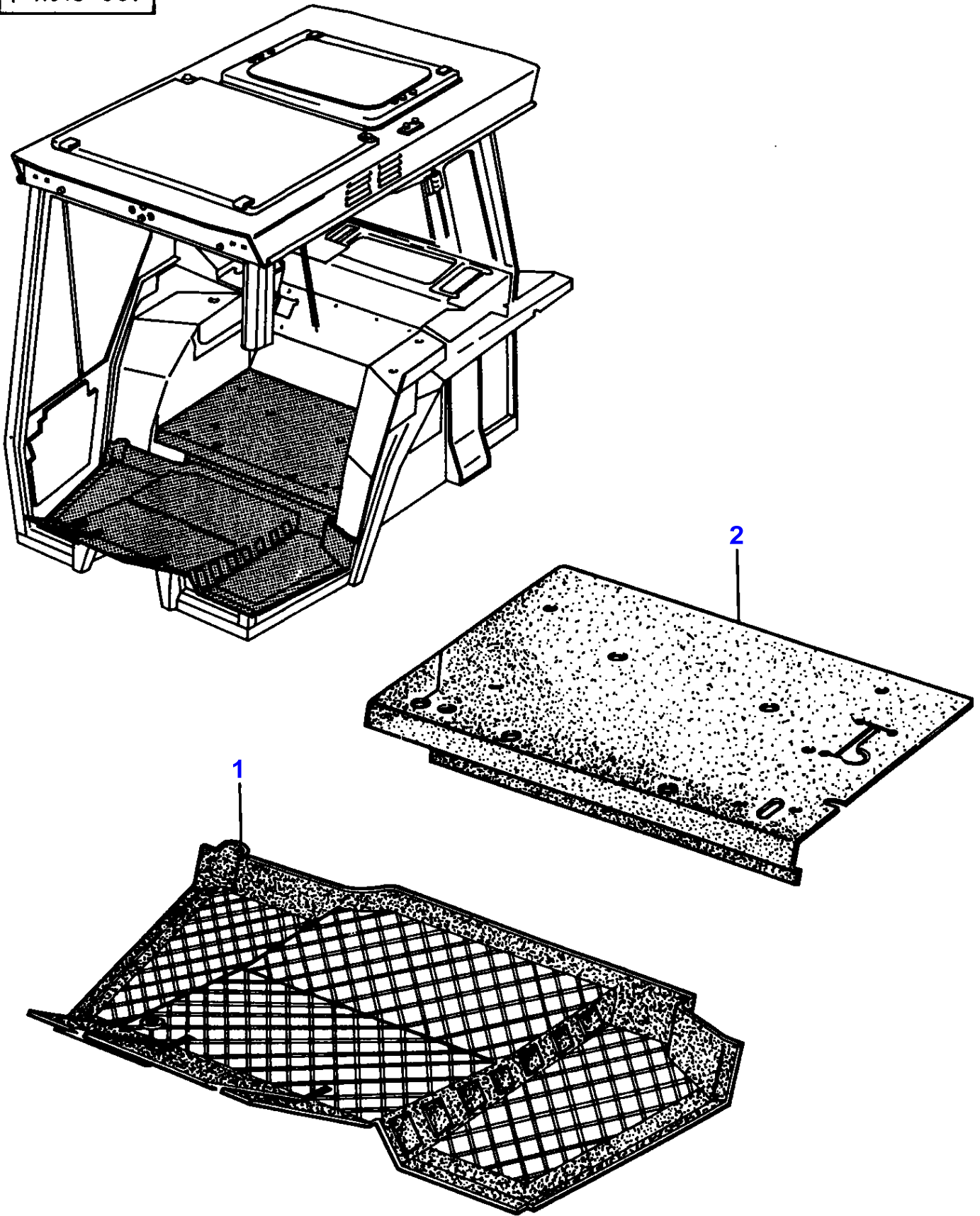


MASSEY FERGUSON**MF 3690 TRACTOR - 1637223****1637223****413****TRACTOR CAB-CAB INSULATION**

Item	Part Number	Qty	Description	Comments
1	3389592M1	2	Sound Reduction	
	3617084M1	1	Shield	[A,B] Left Hand
1	3617085M1	1	Shield	[A,B] Right Hand
2	3389585M1	1	Sound Reduction	
3	3389214M2	1	Sound Reduction	
4	3389231M2	1	Sound Reduction	
5	3580060M2	1	Sound Reduction	
6	3389230M1	1	Sound Reduction	
7	3389217M2	1	Sound Reduction	
8	3389591M1	1	Sound Reduction	

[A]
JAPAN[B]
AUSTRIA

1-AU15-009

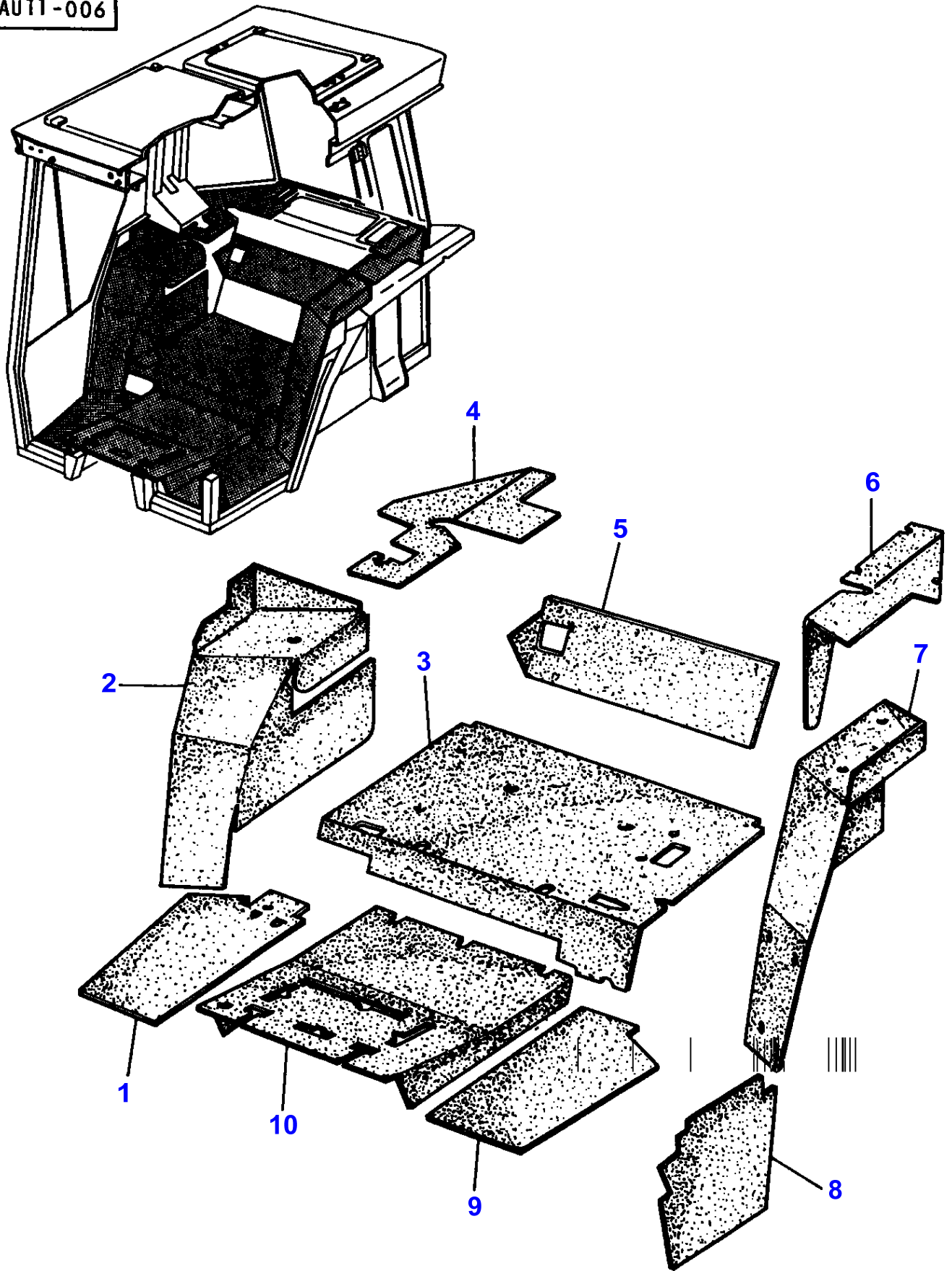


MASSEY FERGUSON**MF 3690 TRACTOR - 1637223****1637223****TRACTOR CAB-FLOOR PANELS****414**

Item	Part Number	Qty	Description	Comments
1	3616426M3	1	Mat	
2	3388610M3	1	Insulating Mat	

[A]
EXCEPT FORESTRY CAB

1-AUT1-006



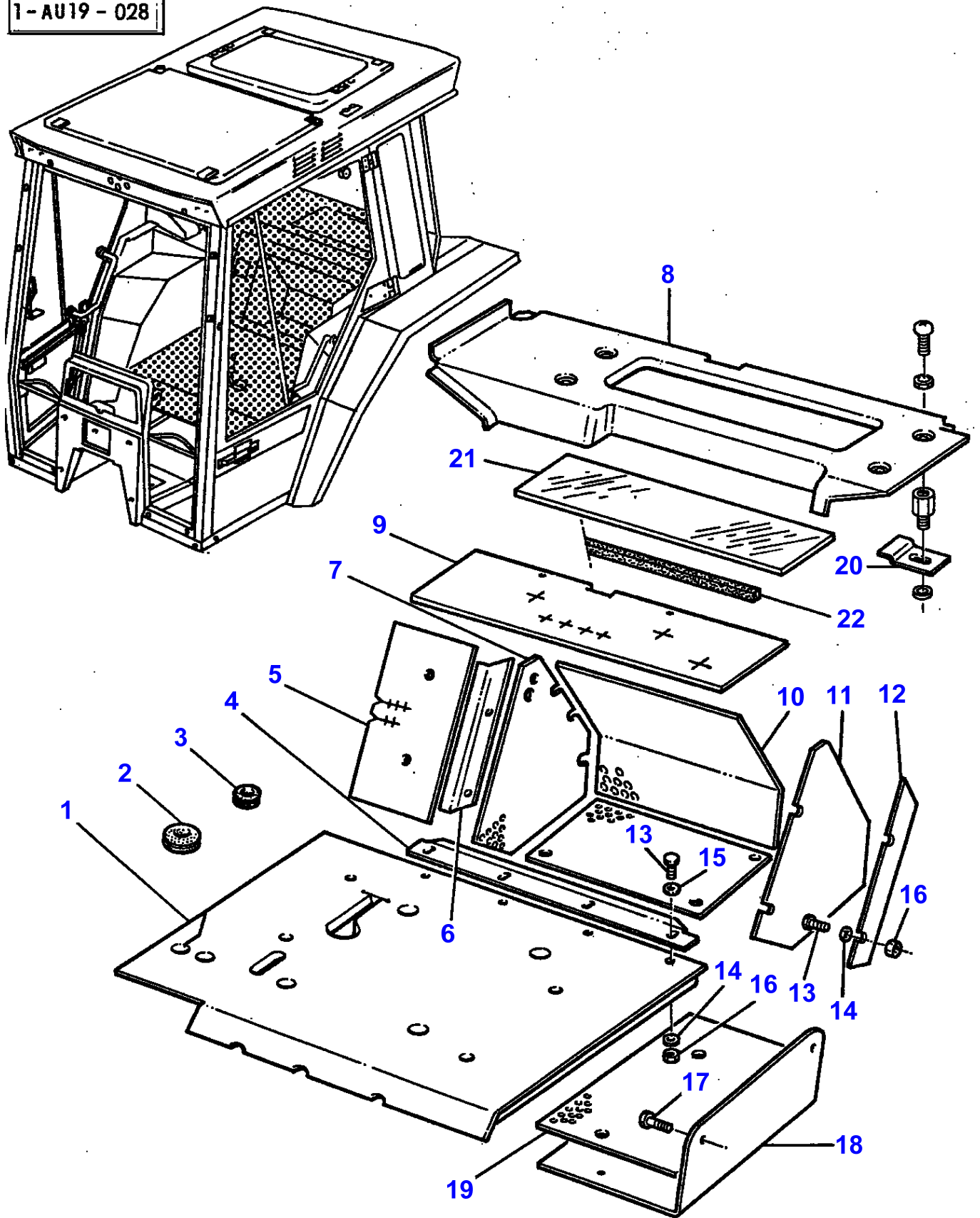
TRACTOR CAB-CAB INSULATION

Item	Part Number	Qty	Description	Comments
1	3389222M1	1	Sound Reduction	
2	3389218M2	1	Sound Reduction	
3	3389226M5	1	Sound Reduction	
4	3580061M3	1	Sound Reduction	
5	3389220M2	1	Sound Reduction	
6	3389228M2	1	Sound Reduction	
7	3389219M2	1	Sound Reduction	
8	3615028M1	1	Sound Reduction	
9	3389227M1	1	Sound Reduction	
10	3389225M3	1	Sound Reduction	

[A]
EXCEPT FORESTRY CAB

[B]
FORESTRY CAB

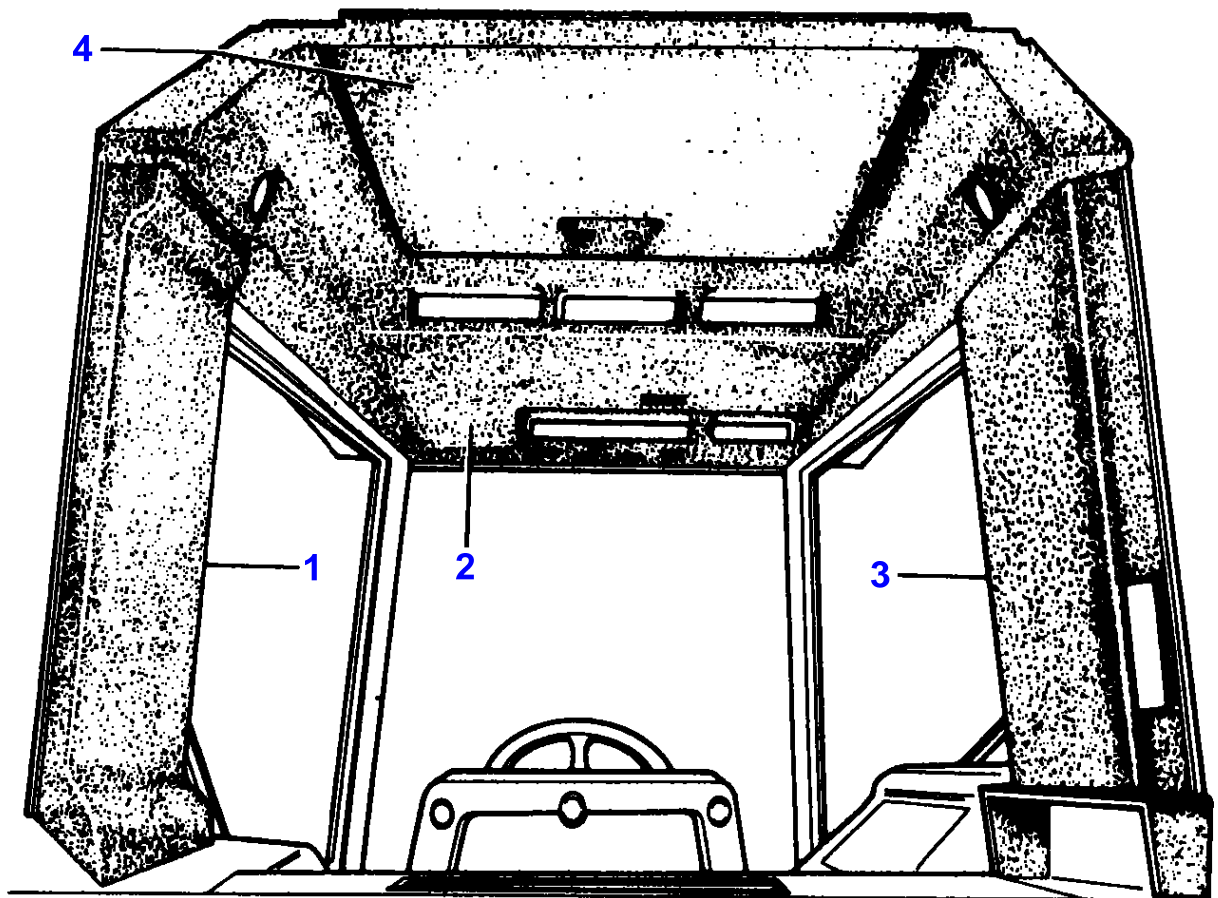
1-AU19-028



TRACTOR CAB-CLADDING - FORESTRY CAB

Item	Part Number	Qty	Description	Comments
				FORESTRY CAB
1	3583660M2	1	Mat	
2	367439X1	1	Protector	
3	1874928M1	2	Plug	
4	3583662M1	1	Fence	
5	3583387M2	1	Sound Reduction	
6	3583575M1	1	Trim	
7	3583364M1	1	Panel	
8	3583558M1	1	Rear Window	Up to Serial or Engine Number C139005
	3618553M2	1	Rear Window	From Serial or Engine Number C139006
9	3583983M1	1	Muff	
10	3583366M1	1	Panel	
11	3583365M1	1	Panel	
12	3583576M1	1	Trim	
13	339124X1	6	Screw Metric	
14	390972X1	6	Washer Metric	
15	1427000M1	4	Washer	
16	339169X1	6	Nut Metric	
17	3389857M1	5	Screw	
18	3583648M1	1	Foot Rest	
19	3583661M1	1	Mat	
20	3616403M1	2	Strap	
21	3616401M2	1	Window	
22	3616402M2	1	Gasket	Thickness 6MM

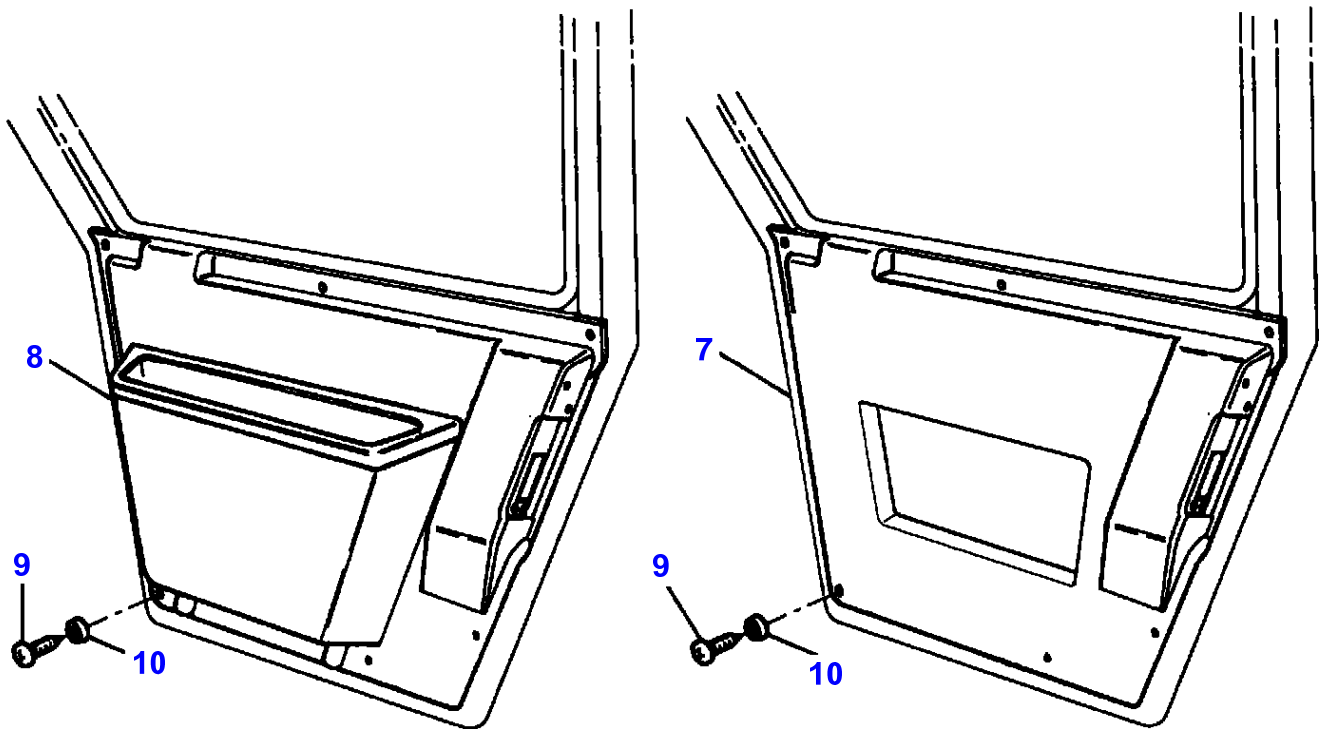
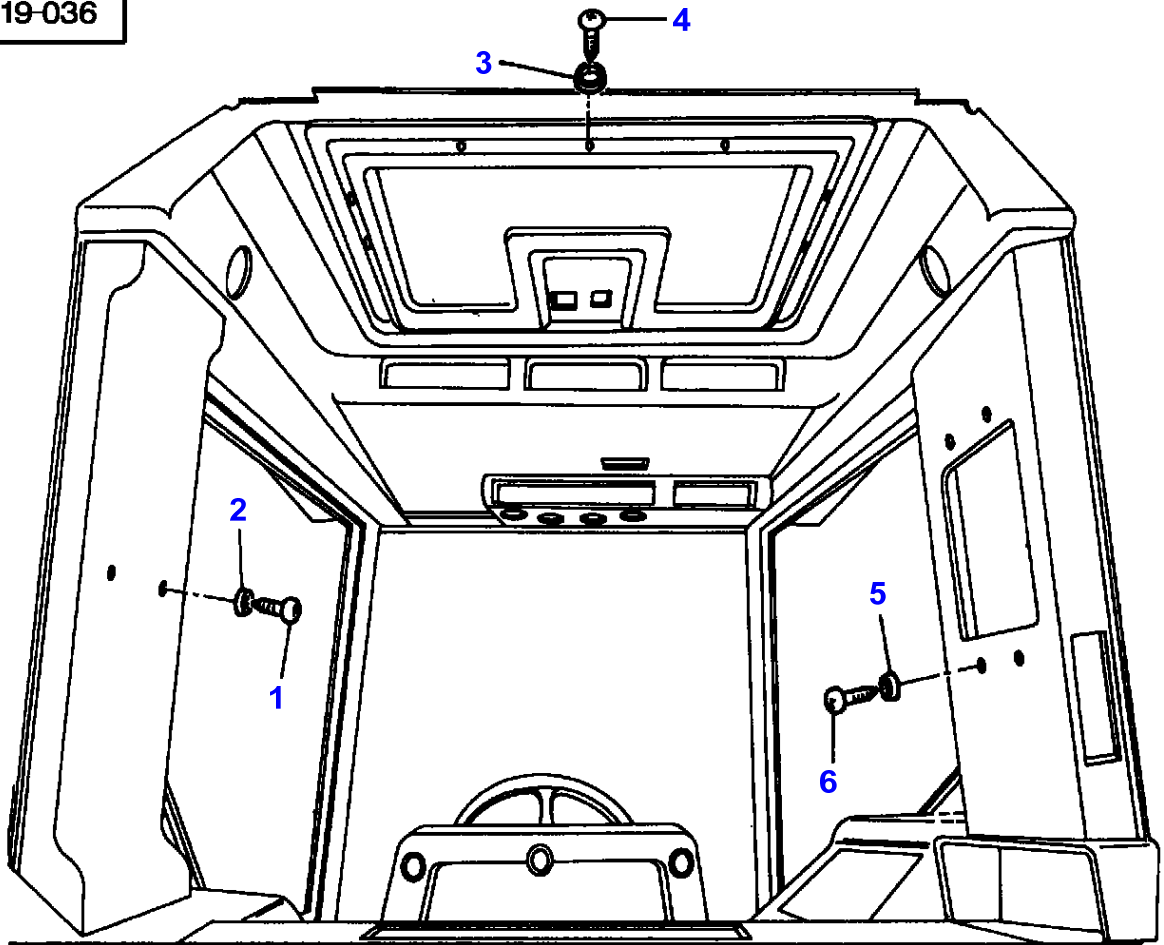
1-AU11-009



MASSEY FERGUSON**MF 3690 TRACTOR - 1637223****1637223****TRACTOR CAB-CAB INSULATION - UPPER COMPONENTS****417**

Item	Part Number	Qty	Description	Comments
				UPPER COMPONENTS
1	3385202M2	1	Mounting	Left Hand
	3615758M1	1	Mounting	[A]
				Left Hand
2	3385197M1	1	Roof Covering	
3	3385201M2	1	Mounting	Right Hand
4	3389378M1	1	Facing	
				[A]
				AUSTRIA

1-AU19-036



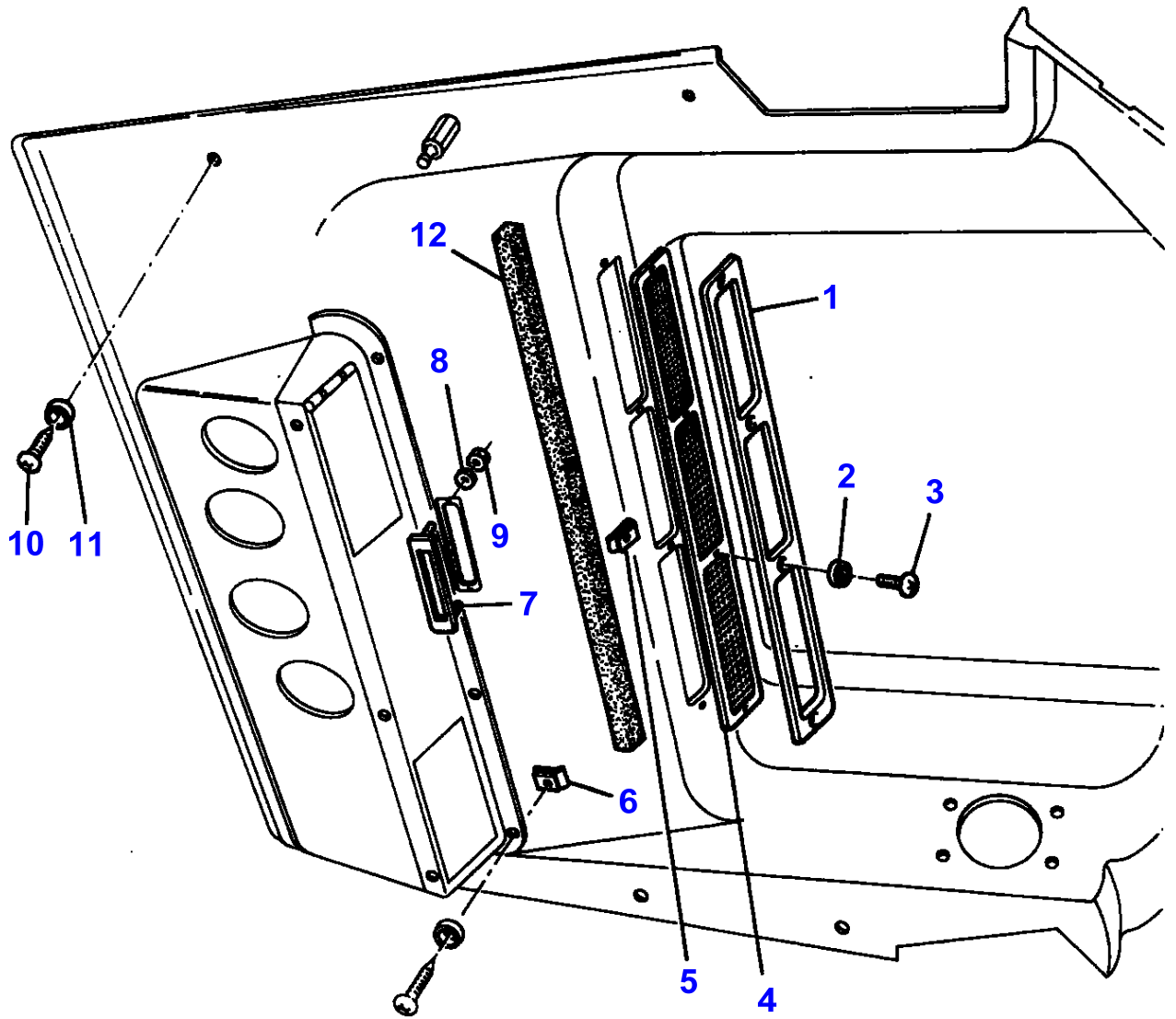
MASSEY FERGUSON**MF 3690 TRACTOR - 1637223****1637223****TRACTOR CAB-CLADDING - DOOR****418**

Item	Part Number	Qty	Description	Comments
				DOOR
1	3580257M1	2	Screw	
2	1427000M1	2	Washer	
3	1427000M1	9	Washer	
4	3389854M1	9	Self Tap Screws	
5	1427000M1	8	Washer	
6	3580257M1	8	Screw	
7	3615765M1	1	Facing	[A,B] Right Hand
7	3615764M1	1	Facing	[A,B] Left Hand
8	3385300M2	1	Facing	Left Hand
	3385299M2	1	Facing	Right Hand
9	3389854M1	14	Self Tap Screws	
10	1427000M1	14	Washer	

[A]
FOR JAPANESE MARKET ONLY

[B]
AUSTRIA

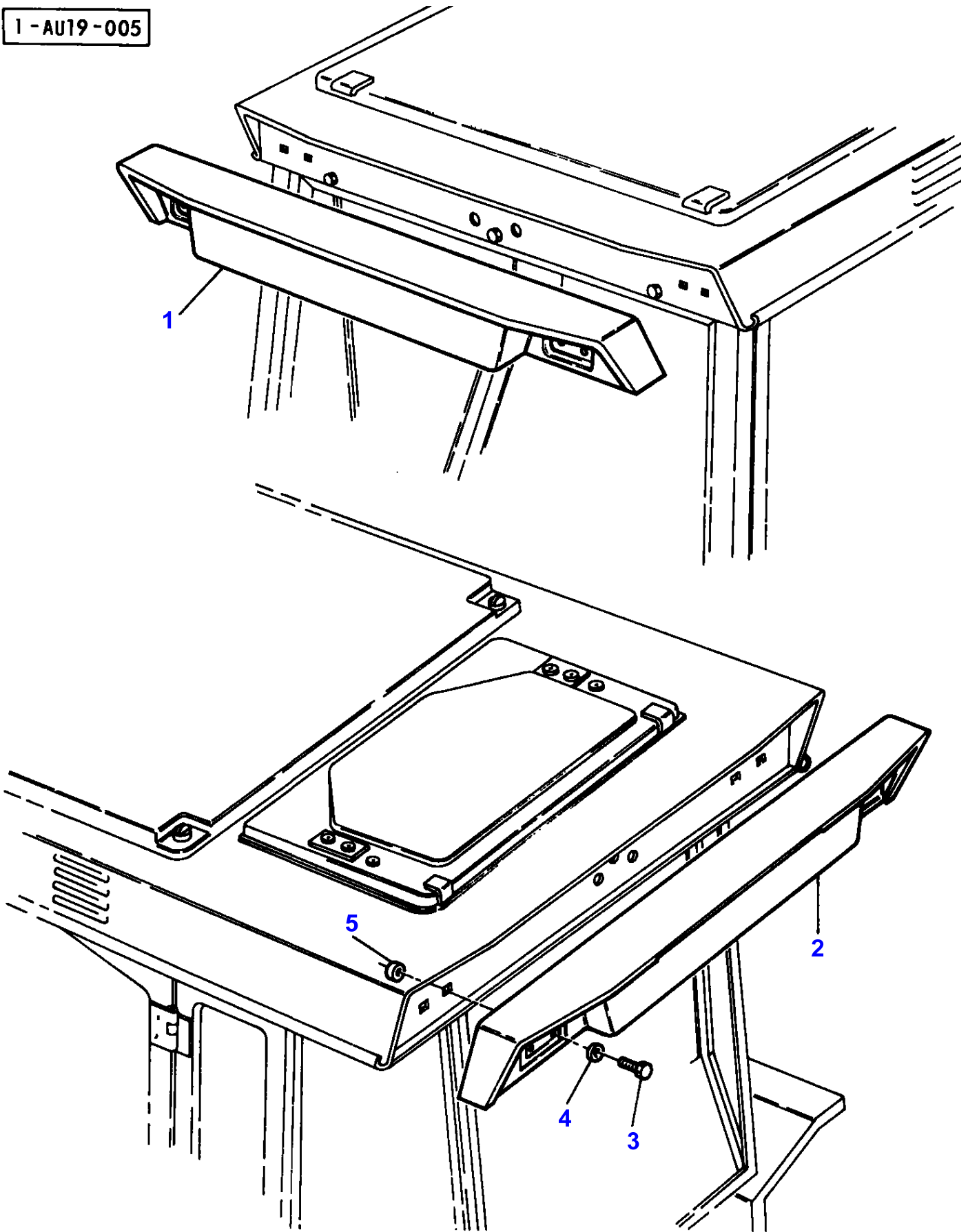
1-AU41-002



MASSEY FERGUSON**MF 3690 TRACTOR - 1637223****1637223****419****TRACTOR CAB-ROOF EQUIPMENT**

Item	Part Number	Qty	Description	Comments
1	3388587M2	1	Cover	
2	1427000M1	4	Washer	
3	3389855M1	4	Screw	Length 22MM
4	3388602M1	1	Grille	
5	3389351M1	4	Nut	
6	3389351M1	2	Nut	
7	3388767M91	1	Support	
8	3019560X1	1	Washer	
9	390995X1	2	Nut Metric	
10	3389854M1	9	Self Tap Screws	Length 19MM
11	1427000M1	9	Washer	
12	3388820M1	1	Gasket	

1 - AU19 - 005

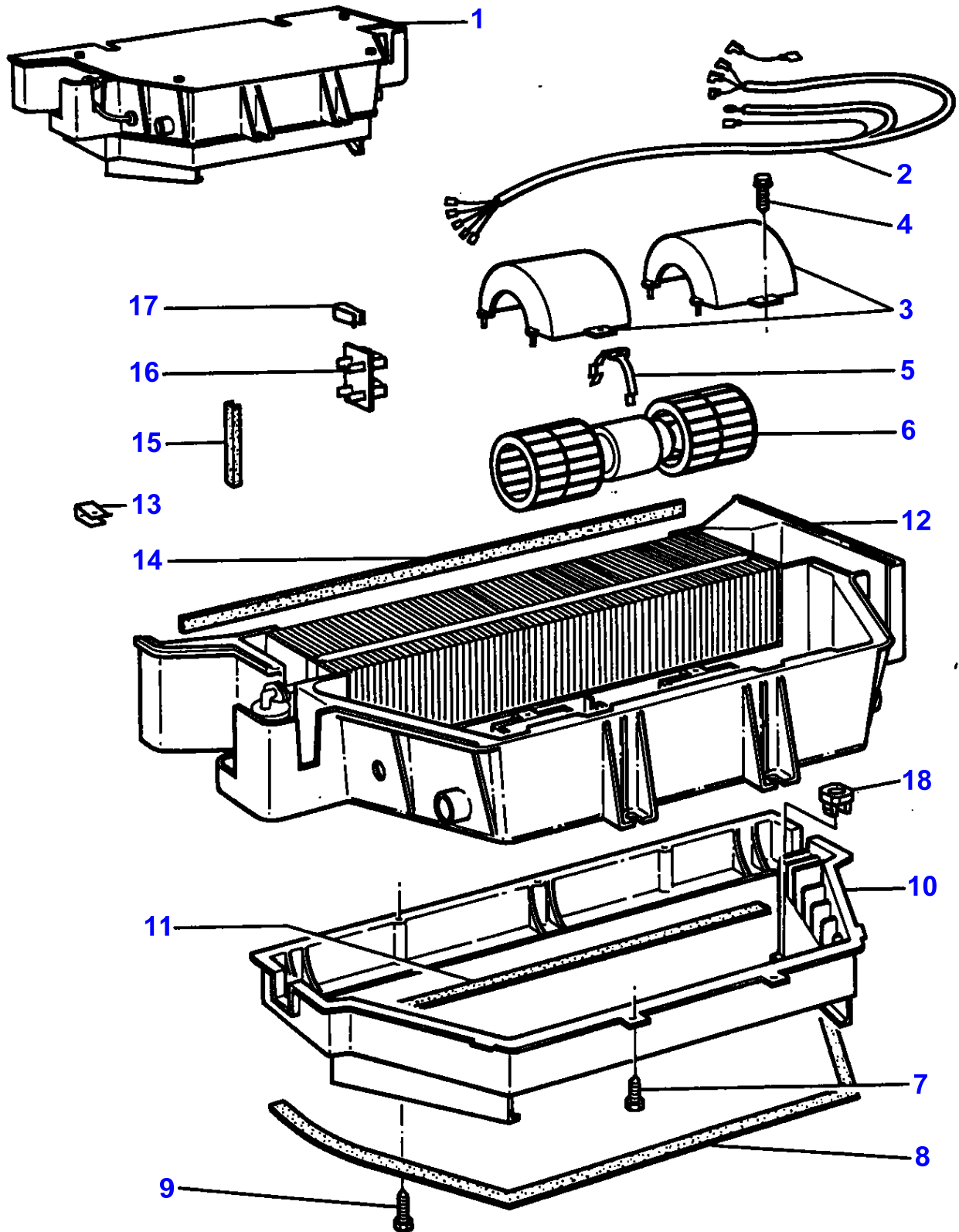


MASSEY FERGUSON**MF 3690 TRACTOR - 1637223****1637223****TRACTOR CAB-CLADDING - ROOF****420**

Item	Part Number	Qty	Description	Comments
				ROOF
1	3385194M1	1	Facing	
	324662V10	1	Facing	
2	3385195M1	1	Facing	
	324661V10	1	Facing	
3	339123X1	8	Screw Metric	
4	390972X1	8	Washer Metric	
5	392439X1	8	Nut Special	
	392439X1	16	Nut Special	[A]

[A]
AUSTRIA ONLY

1-AU44-006



MASSEY FERGUSON**MF 3690 TRACTOR - 1637223**

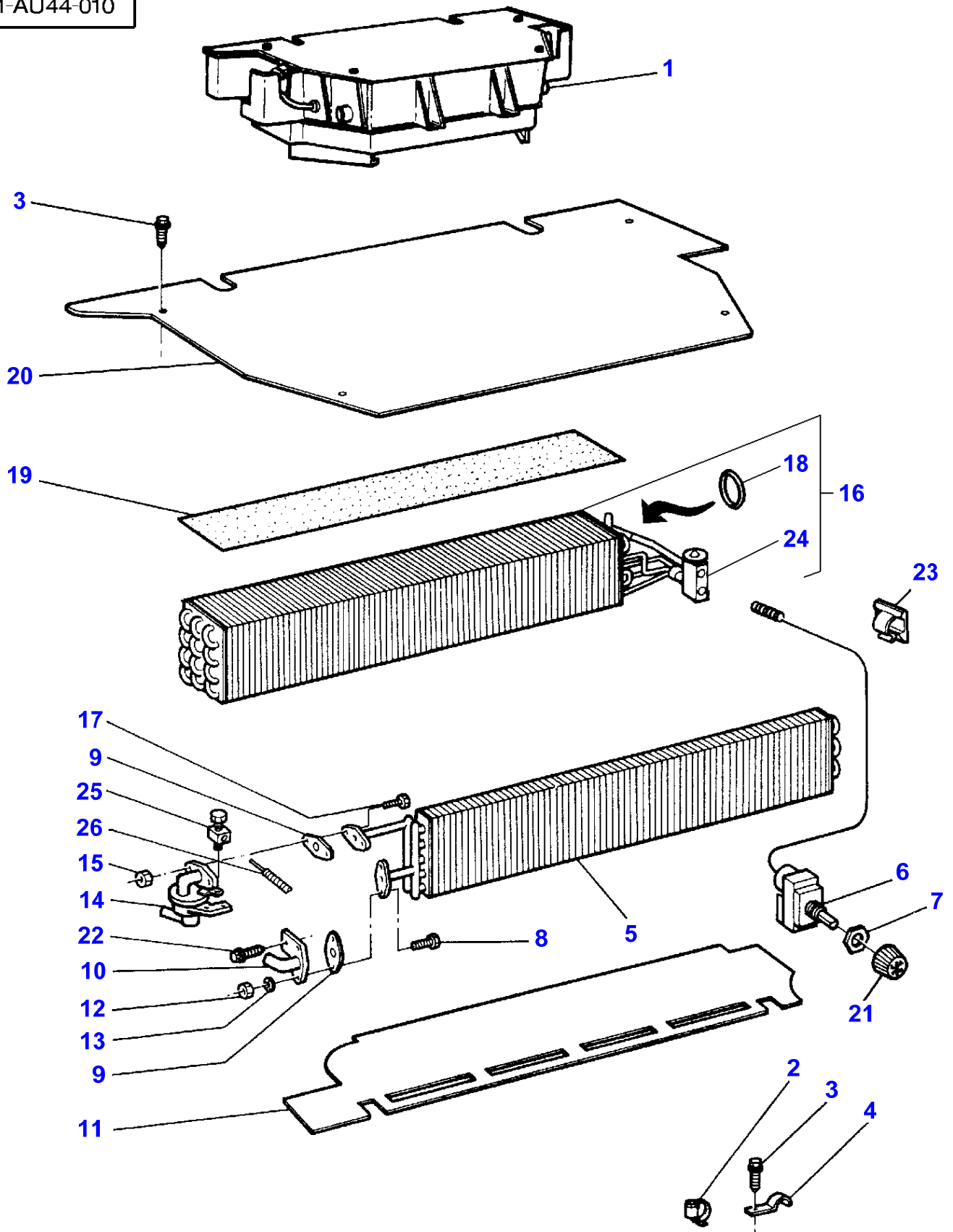
1637223

AIR CONDITIONER - UP TO SERIAL NO C210009

421

Item	Part Number	Qty	Description	Comments
				UP TO SERIAL NO C210009
1	3387155M92	1	Boot	
2	3310835M91	1	Harness	(1)
3	3310833M1	2	Cover	(1)
4	3310837M1	4	Screw	(1)
5	3310832M1	1	Strap	(1)
6	3310831M91	1	Motor	(1)
7	3310837M1	6	Screw	(1)
8	3310844M1	1	Foam	(1)
9	3310841M1	3	Screw	(1)
10	3310840M1	1	Housing	(1)
11	3310843M1	1	Foam	(1)
12	3310825M1	1	Housing	(1)
13	3310842M1	9	Strap	(1)
14	3310830M1	1	Foam	(1)
15	3310846M1	2	Foam	(1)
16	3304510M92	1	Resistor	(1)
17	3310834M1	1	Strap	(1)
18	3583649M1	1	Nut Special	

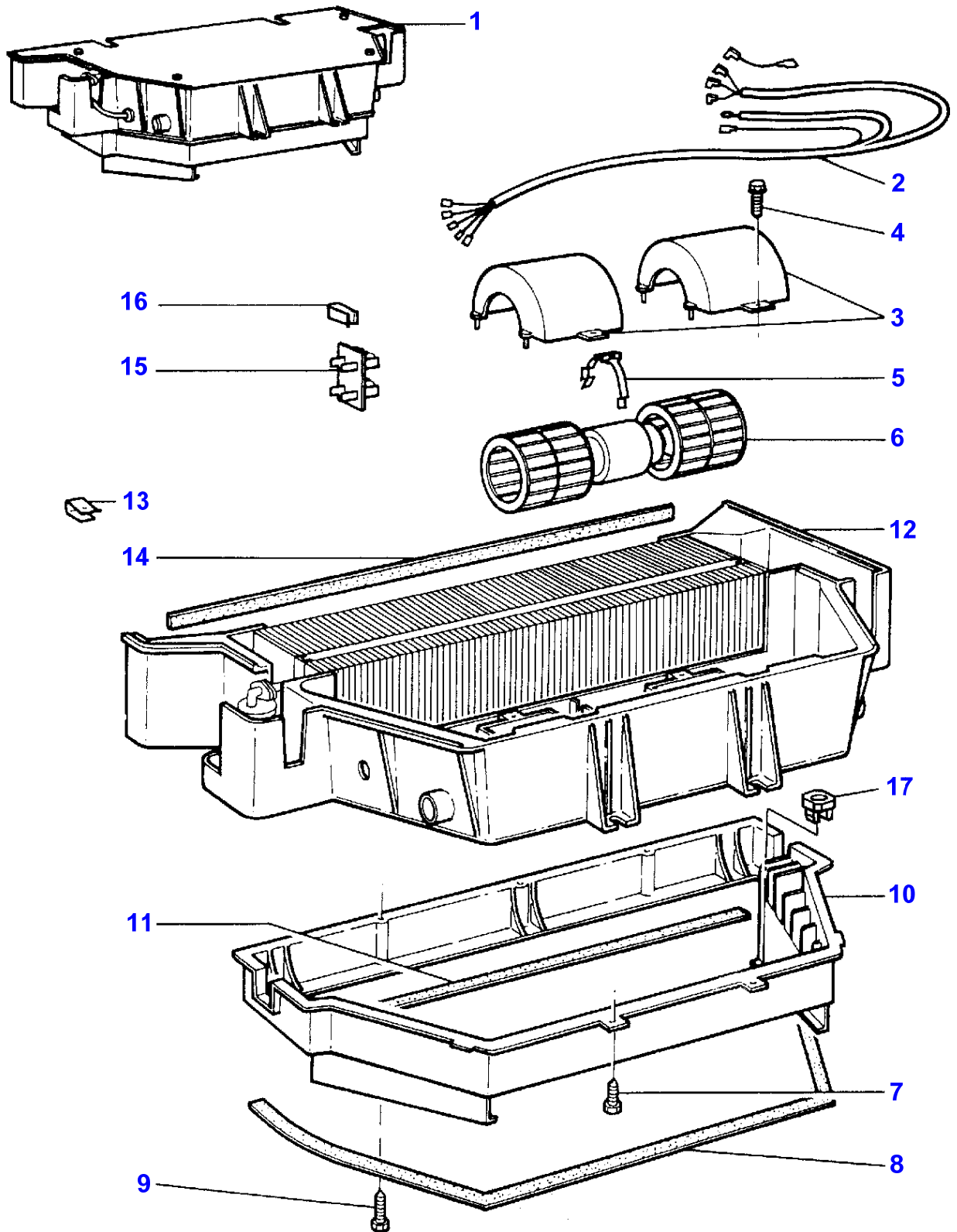
1-AU44-010



AIR CONDITIONER

Item	Part Number	Qty	Description	Comments
1	3387155M92	1	Boot	Up to Serial or Engine Number C210009
	3712496M1	1	Boot	From Serial or Engine Number C210010
2	3000195X1	1	Clamp	(1) Up to Serial or Engine Number C210009
3	3310837M1	6	Screw	(1) Up to Serial or Engine Number C210009
4	3310836M1	1	Strap	(1) Up to Serial or Engine Number C210009
5	3310827M92	1	Radiator	(1) Up to Serial or Engine Number C210009
6	3310669M91	1	Thermostat	(1) Up to Serial or Engine Number C210009 3902666M91
6	3310669M91	1	Thermostat	(1) From Serial or Engine Number C210010 3902666M91
7	3310845M1	1	Nut	(1) Up to Serial or Engine Number C210009
8	3902089M1	2	Screw	
9	3304515M1	2	Gasket	
10	3310946M1	1	Elbow	
11	3310826M1	1	Plate	(1) Up to Serial or Engine Number C210009
12	3902090M1	2	Nut	
13	3902090M1	2	Nut	
14	3310945M1	1	Cock	
15	3902090M1	2	Nut	
16	3310828M91	1	Evaporator	(1) Up to Serial or Engine Number C210009
17	3902089M1	2	Screw	
18	3902050M1	2	O Ring	(16) Up to Serial or Engine Number C210009
19	3310829M1	1	Foam	(1) Up to Serial or Engine Number C210009
20	3310839M1	1	Plate	(1) Up to Serial or Engine Number C210009
21		1	Button	(1) See Page - Reference Number 431/2
22	3902089M1	2	Screw	
23	3583514M1	1	Strap	Up to Serial or Engine Number
24	3311533M91	1	Regulator	(16) Up to Serial or Engine Number C210009
25	3311579M91	1	Union	
26		1	Cable	See Page - Reference Number 431/1

1-AU44-502-A



MASSEY FERGUSON**MF 3690 TRACTOR - 1637223**

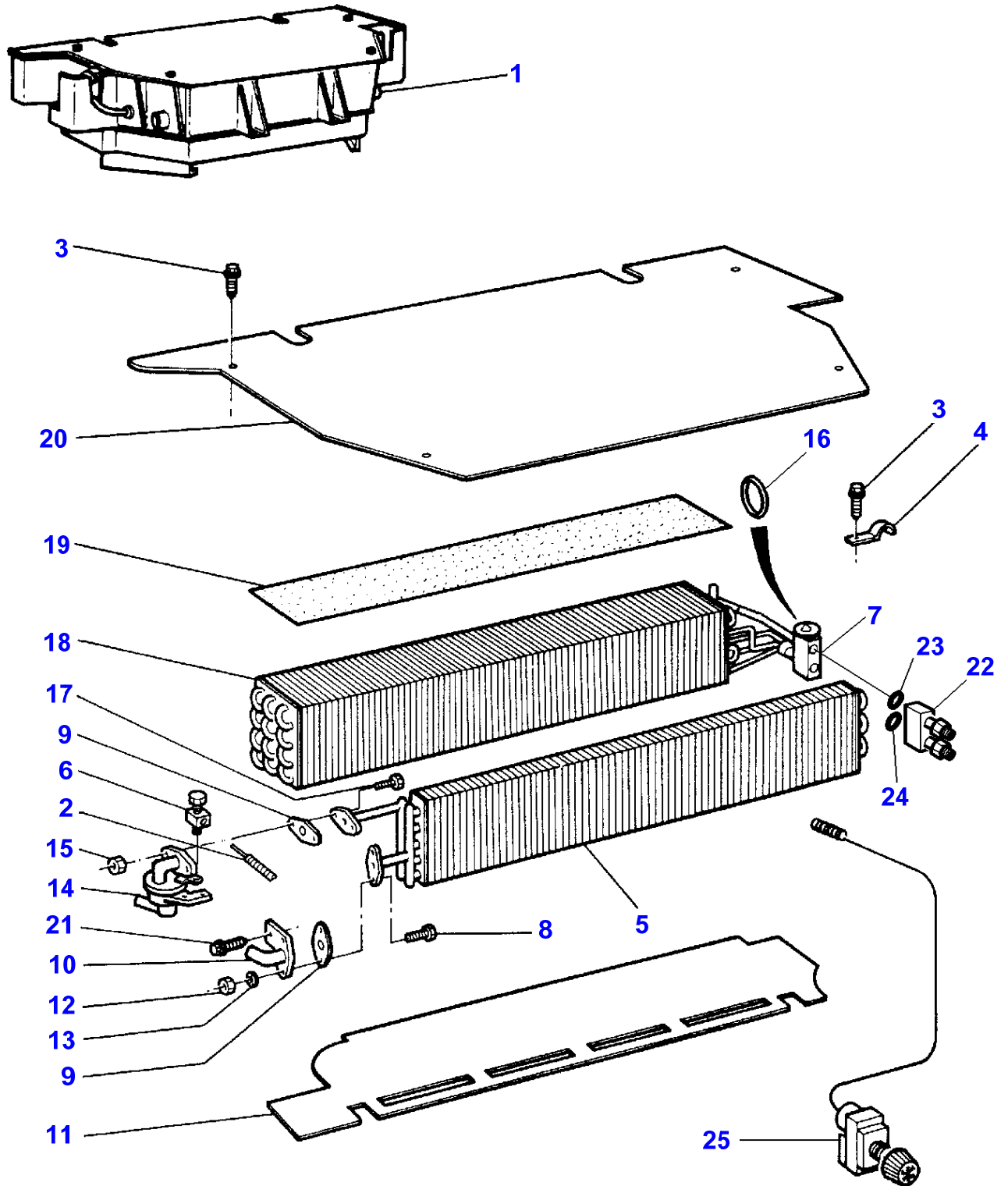
1637223

423

AIR CONDITIONER - FROM SERIAL NO C210010

Item	Part Number	Qty	Description	Comments
				FROM SERIAL NO C210010
1	3712496M1	1	Boot	
2	3902318M91	1	Harness	(1)
3	3310833M1	2	Cover	(1) 3902319M1
4	3310837M1	4	Screw	(1)
5	3902320M1	1	Strap	(1)
6	3310831M91	1	Motor	(1) 3902321M91
7	3310837M1	6	Screw	(1)
8	3902322M1	1	Foam	(1)
9	3310841M1	3	Screw	(1)
10	3310840M1	1	Housing	(1) 3902323M1
11	3310843M1	1	Foam	(1) 3902324M1
12	3310825M1	1	Housing	(1)
13	3310842M1	9	Strap	(1)
14	3310849M1	1	Foam	(1) 3902325M1
15	3304510M92	1	Resistor	(1) 3902326M91
16	3310834M1	1	Strap	(1)
17	3583649M1	1	Nut Special	(1)

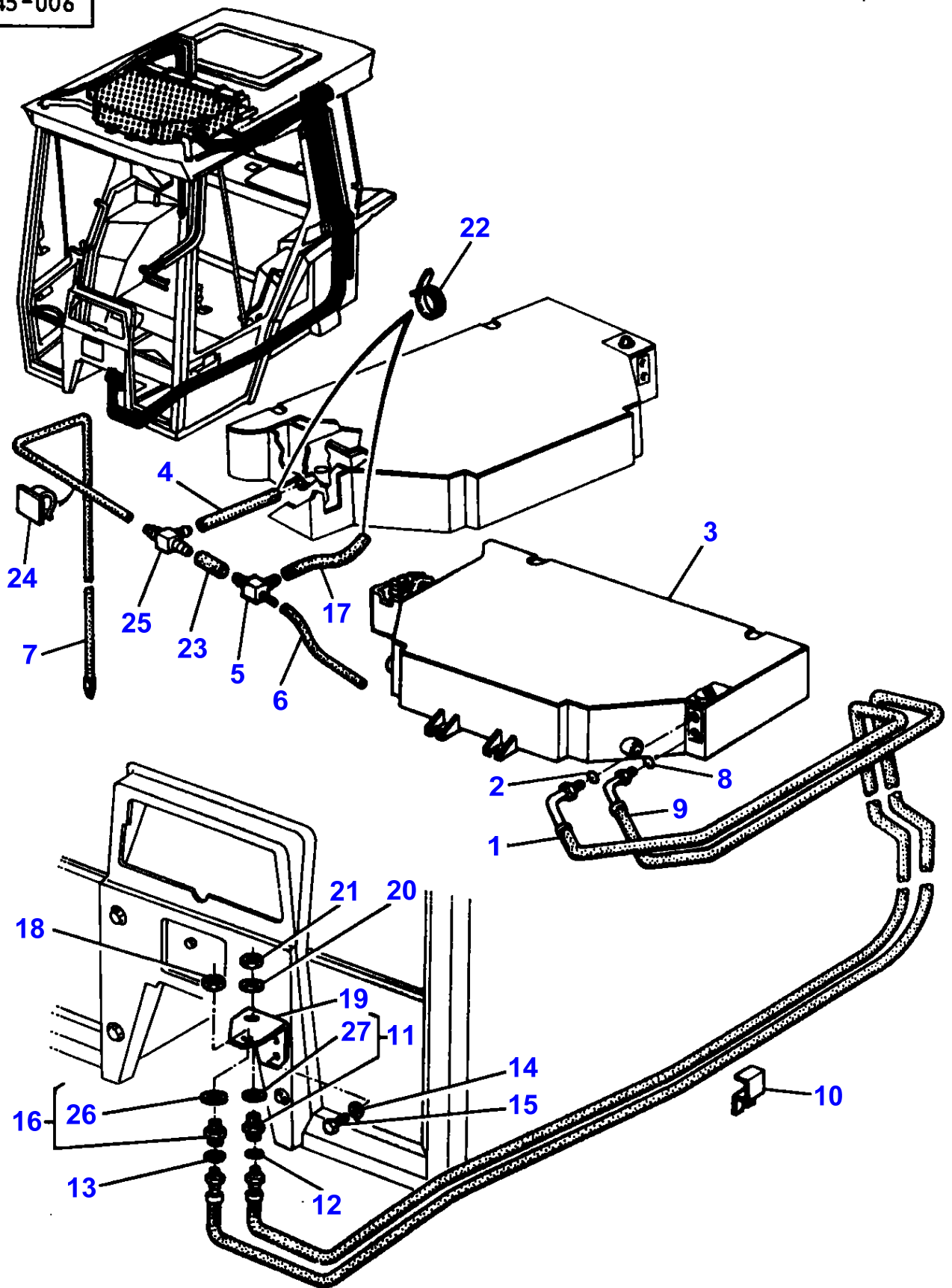
1-AU44-503-B



AIR CONDITIONER - FROM SERIAL NO C210010

Item	Part Number	Qty	Description	Comments
				FROM SERIAL NO C210010
1	3712496M1	1	Boot	
2		1	Cable	See Page - Reference Number 415/
3	3310837M1	6	Screw	(1)
4	3310836M1	1	Strap	(1)
5	3310827M92	1	Radiator	(1)
6	3311579M91	1	Union	(1)
7	3902334M91	1	Regulator	(1)
8	3902089M1	2	Screw	(1)
9	3902327M1	2	Gasket	(1)
10	3902328M1	1	Elbow	(1)
11	3902329M1	1	Plate	(1)
12	3902090M1	2	Nut	(1)
13	3902090M1	2	Nut	(1)
14	3310945M1	1	Cock	(1)
				3902330M1
15	3902090M1	2	Nut	(1)
16	3902499M1	1	Gasket	(1)
				DIA: 6,7MM
16	3902500M1	3	Gasket	(1)
				DIA: 13,4MM
17	3902089M1	2	Screw	(1)
18	3902331M91	1	Evaporator	(1)
19	3902332M1	1	Foam	(1)
20	3310839M1	1	Plate	(1)
				3902333M1
21	3902089M1	2	Screw	(1)
22	3902549M91	1	Connection	(1)
23	3902550M1	1	O Ring	(1)
				Diameter 6,7X1,8MM
24	3902551M1	1	O Ring	(1)
				Diameter 13,4X2,4MM
25	3310669M91	1	Thermostat	(1)
				3902666M91

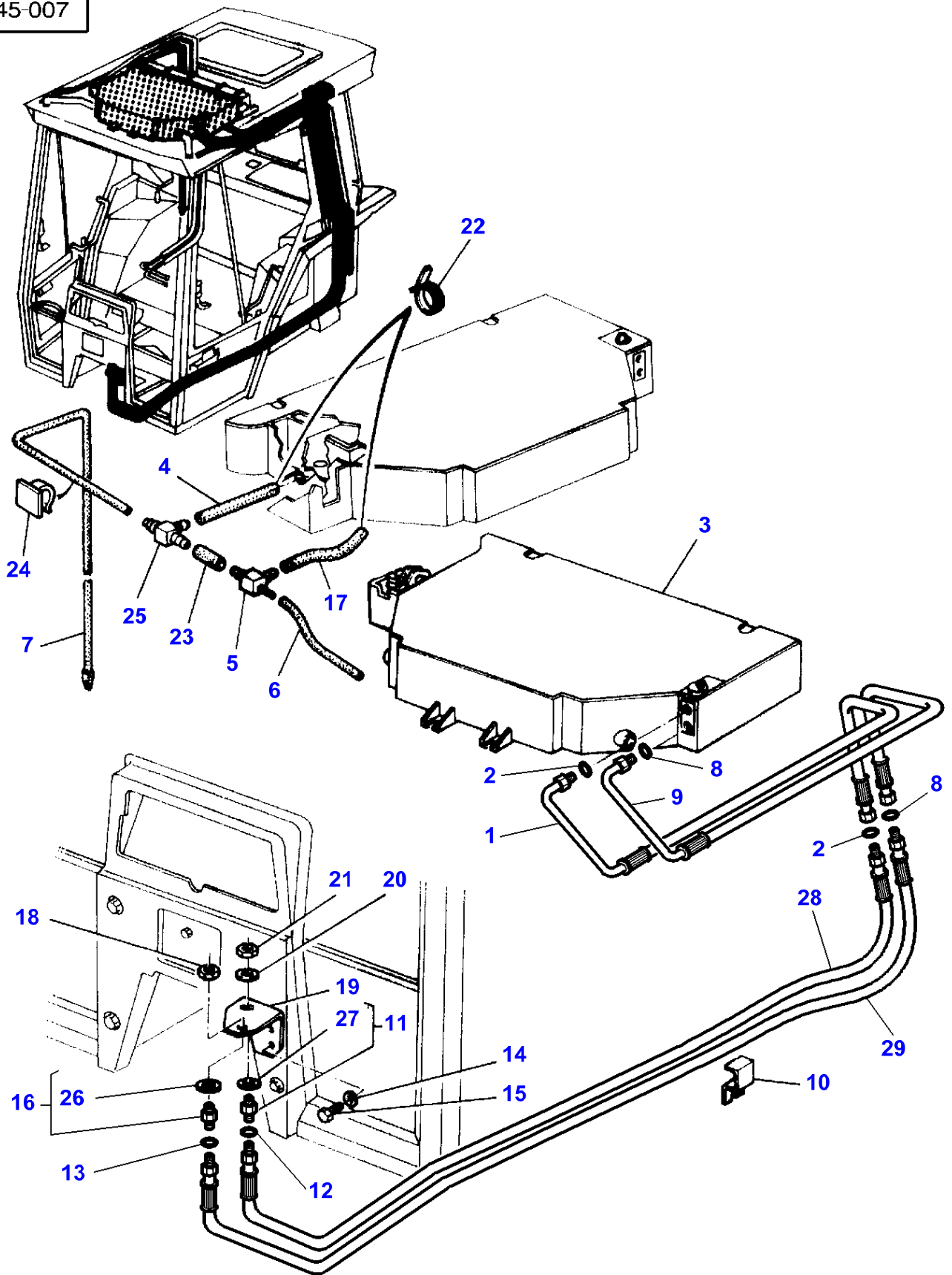
1-AU45-006



MASSEY FERGUSON**MF 3690 TRACTOR - 1637223****1637223****425****AIR CONDITIONER-HOSE - UP TO SERIAL NO C210009**

Item	Part Number	Qty	Description	Comments
				UP TO SERIAL NO C210009
1	3388303M1	1	Hydr Hose	
2	3010473X1	1	O Ring	
3	3387155M92	1	Boot	See Page - Reference Number 421/ See Page - Reference Number 422/
4	3388793M1	2	Tube	
5	3388779M1	4	Union	
6	3388794M1	2	Tube	
7	3581222M1	2	Tube	
8	330989X1	1	Gasket	
9	3387145M1	1	Hydr Hose	
10	3387280M2	2	Bridle	
11	368544X1	1	Union	
12	3010474X1	1	O Ring	
13	3010475X1	1	O Ring	
14	339374X1	2	Lock Washer	
15	339124X1	2	Screw Metric	
16	368523X1	1	Union	
17	3580719M1	2	Tube	Length 170MM
18	1691972M1	1	Nut	
19	3388304M1	1	Support	
20	1692006M1	1	Lock Washer	
21	1691973M1	1	Nut	
22	3019564X1	4	Hose Clip	
23	3388793M1	2	Tube	Length 215 MM
24	3582094M1	4	Tie	
25	3388779M1	2	Union	
26	3600219M1	1	Joint	(16)
27	3600218M1	1	Joint	(11)

1-AU45-007



MASSEY FERGUSON**MF 3690 TRACTOR - 1637223**

1637223

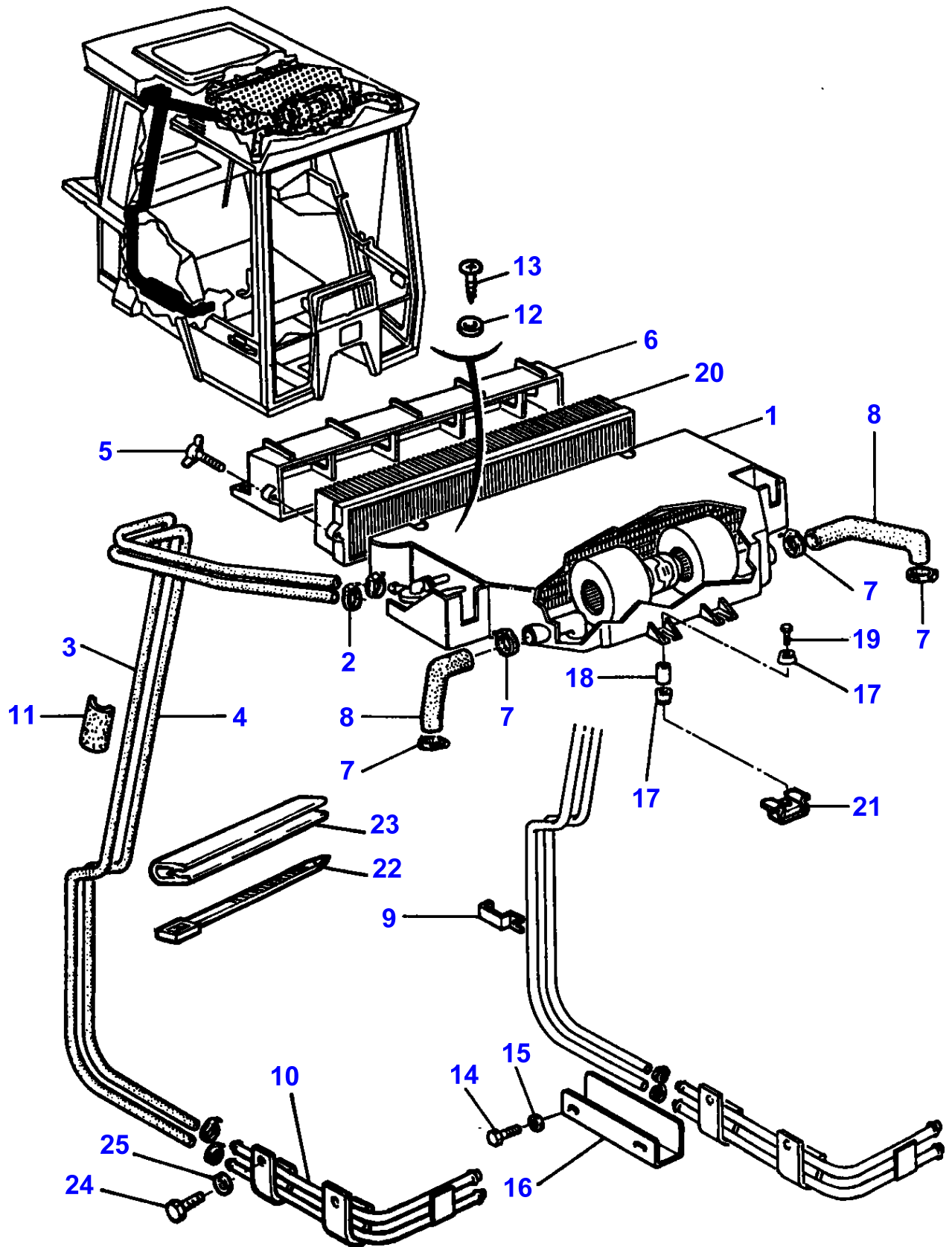
426

AIR CONDITIONER-HOSE - FROM SERIAL NO C210010

Item	Part Number	Qty	Description	Comments
				FROM SERIAL NO C210010
1	3713280M1	1	Hydr Hose	
2	3010473X1	2	O Ring	
3	3712496M1	1	Boot	See Page - Reference Number 423/ See Page - Reference Number 424/
4	3388793M1	2	Tube	
5	3388779M1	4	Union	
6	3388794M1	2	Tube	
7	3581222M1	2	Tube	
8	3010471X1	2	O Ring	
9	3713281M1	1	Hydr Hose	
10	3387280M2	2	Bridle	
11	368544X1	1	Union	
12	3010474X1	1	O Ring	
13	3010502X1	1	O Ring	
14	339374X1	2	Lock Washer	
15	339124X1	2	Screw Metric	
16	368523X1	1	Union	
17	3580719M1	2	Tube	Length 170MM
18	1691972M1	1	Nut	
19	3388304M1	1	Support	
	3902112M1	1	Support	[A]
20	1692006M1	1	Lock Washer	
21	1691973M1	1	Nut	
22	3019564X1	4	Hose Clip	
23	3388793M1	2	Tube	Length 215 MM
24	3582094M1	4	Tie	
25	3388779M1	2	Union	
26	3600219M1	1	Joint	(16)
27	3600218M1	1	Joint	(11)
28	3713282M1	1	Hydr Hose	
29	3713283M1	1	Hydr Hose	

[A]
AUSTRIA

1-AU13-005



TRACTOR CAB-HEATER HOSES

Item	Part Number	Qty	Description	Comments
1		1	Boot	[A] See Page - Reference Number 421/ See Page - Reference Number 422/
1		1	Boot	[B] See Page - Reference Number 428/ See Page - Reference Number 429/
2	3019564X1	4	Hose Clip	
3	3580928M1	1	Hose	
4	3580928M1	1	Hose	
5	3388758M2	2	Wingbolt	
6	3388743M1	1	Frame Assy	
7	338616X1	2	Hose Clip	
8	3387515M1	2	Hose	
9	3387280M2	2	Bridle	
10	3580891M92	1	Tube	
11	3581281M1	X	Gasket	Length 140MM
12	3001856X1	1	Washer Metric	
13	339112X1	1	Screw Metric	
14	391074X1	2	Screw Metric	
15	390971X1	2	Washer Metric	
16	3388041M1	1	Cowl	
17	3387512M1	8	Buffer	
18	3387513M1	4	Spacer	
19	339009X1	4	Bolt Metric	M8X35
20	3388840M2	1	Cab Filter	
21	392439X1	4	Nut Special	
22	3619622M1	2	Tie	
23	3580695M1	2	Gasket	Length 1600 MM
24	391074X1	2	Screw Metric	
25	390971X1	2	Washer Metric	

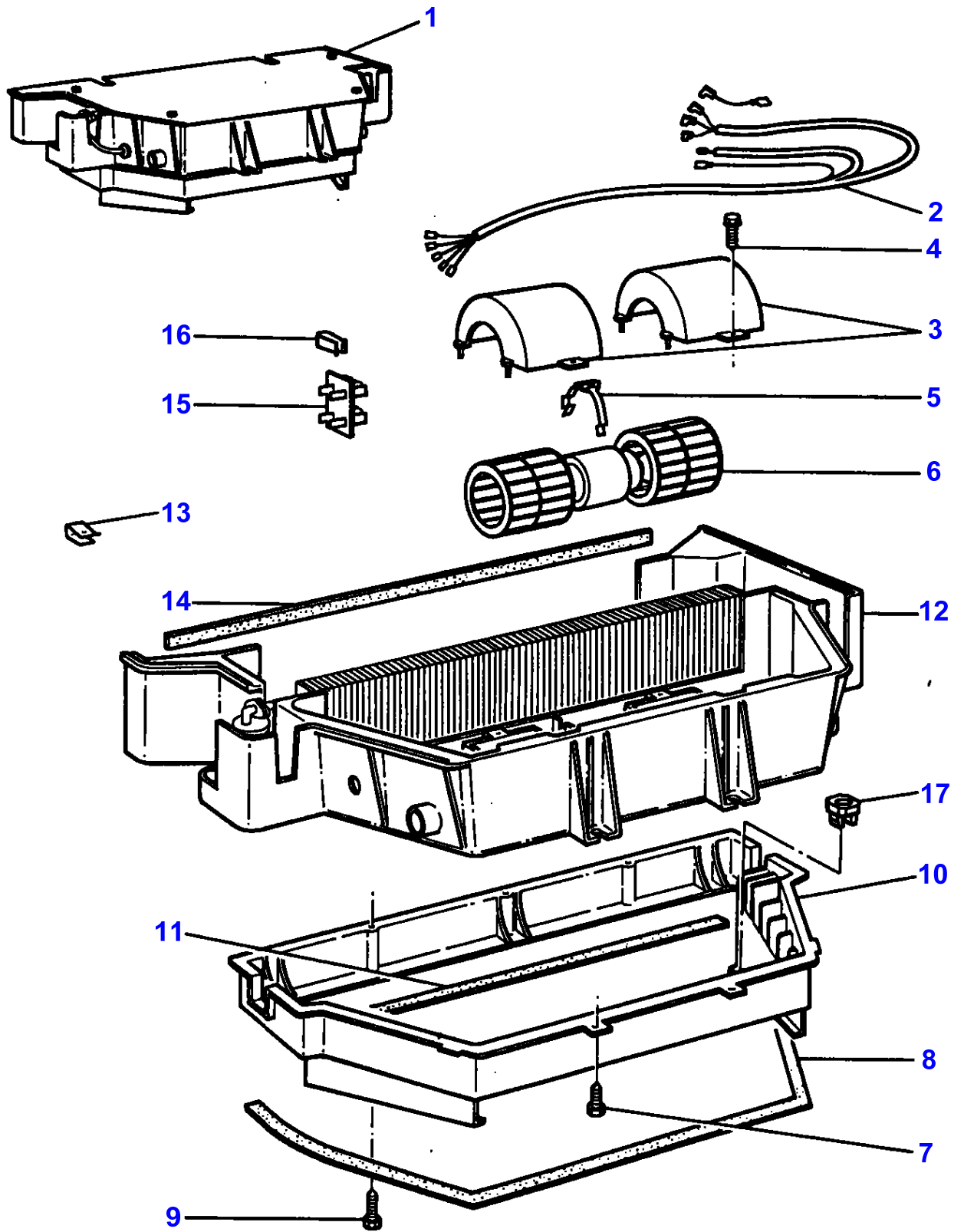
[A]
WITH CONDITIONED-AIR

[B]
WITHOUT CONDITIONED AIR

[C]
CARBON FILTER

[D]
LOW CAB

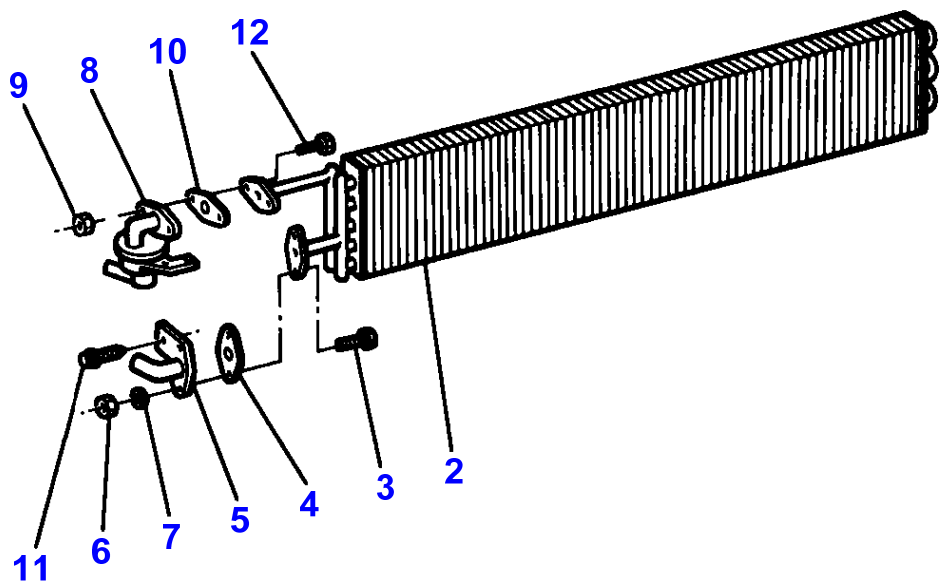
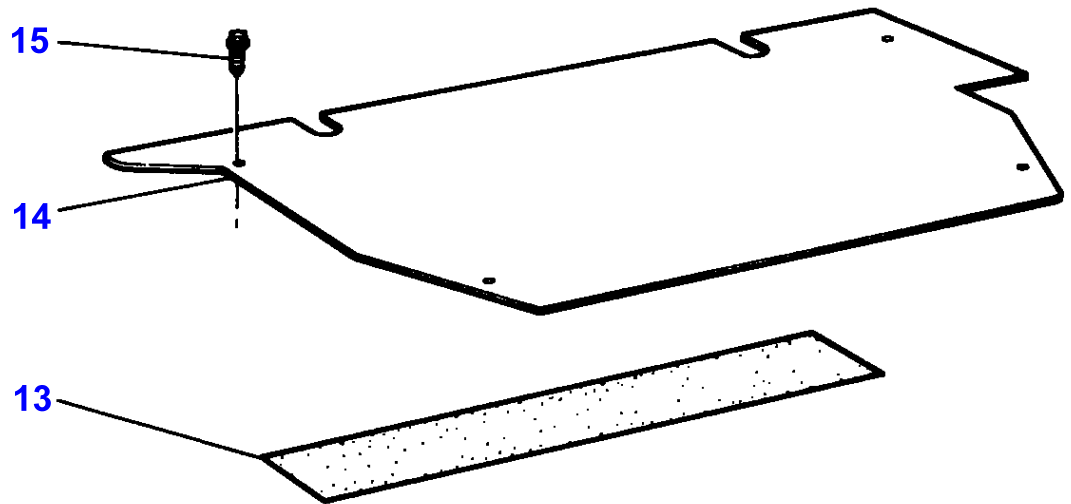
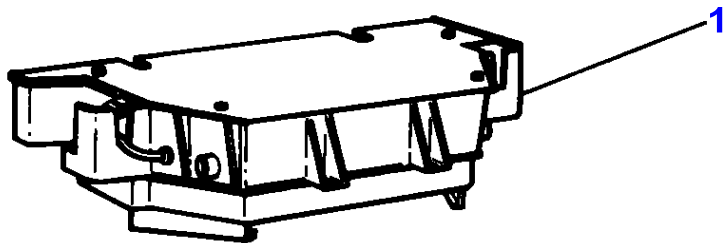
1-AU12-009



TRACTOR CAB-HEATER

Item	Part Number	Qty	Description	Comments
1	3387156M92	1	Boot	
2	3310850M1	1	Harness	(1)
3	3310833M1	2	Cover	(1)
4	3310837M1	4	Screw	(1)
5	3310832M1	1	Strap	(1)
6	3310831M91	1	Motor	(1)
7	3310837M1	6	Screw	(1)
8	3310844M1	1	Foam	(1)
9	3310841M1	3	Screw	(1)
10	3310840M1	1	Housing	(1)
11	3310843M1	1	Foam	(1)
12	3310848M1	1	Housing	(1)
13	3310842M1	9	Strap	(1)
14	3310830M1	1	Foam	(1)
15	3304510M92	1	Resistor	(1)
16	3310834M1	1	Strap	(1)
17	3583649M1	1	Nut Special	

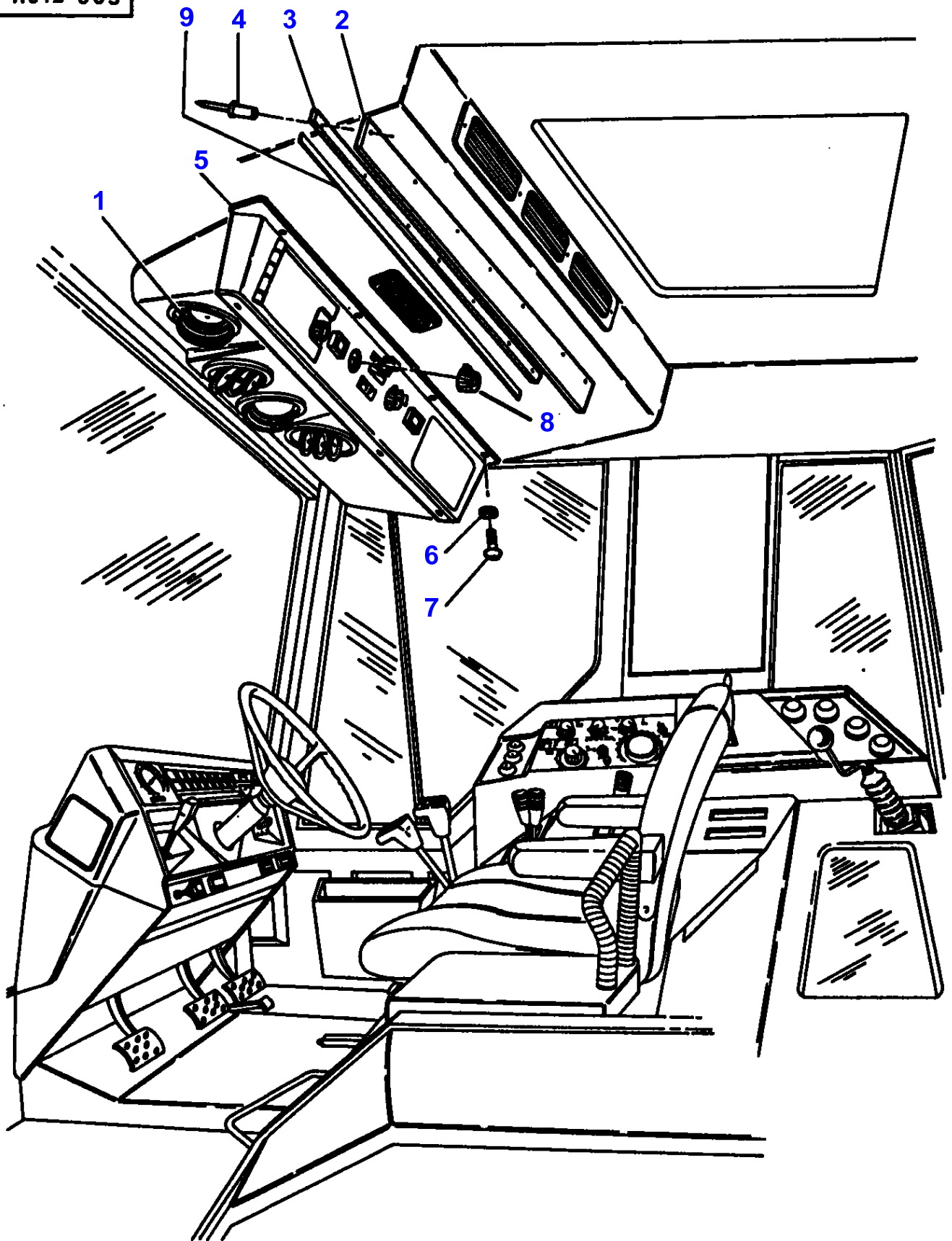
1-AU12-004



TRACTOR CAB-HEATER

Item	Part Number	Qty	Description	Comments
1	3387156M92	1	Boot	
2	3310827M92	1	Radiator	(1)
3	3902089M1	2	Screw	
4	3304515M1	1	Gasket	
5	3310946M1	1	Elbow	
6	3902090M1	2	Nut	
7	3902090M1	2	Nut	
8	3310945M1	1	Cock	
9	3902090M1	2	Nut	
10	3304515M1	1	Gasket	
11	3310837M1	1	Screw	(1)
12	3902089M1	2	Screw	
13	3310849M1	1	Foam	(1)
14	3310839M1	1	Plate	(1)
15	3310837M1	5	Screw	(1)

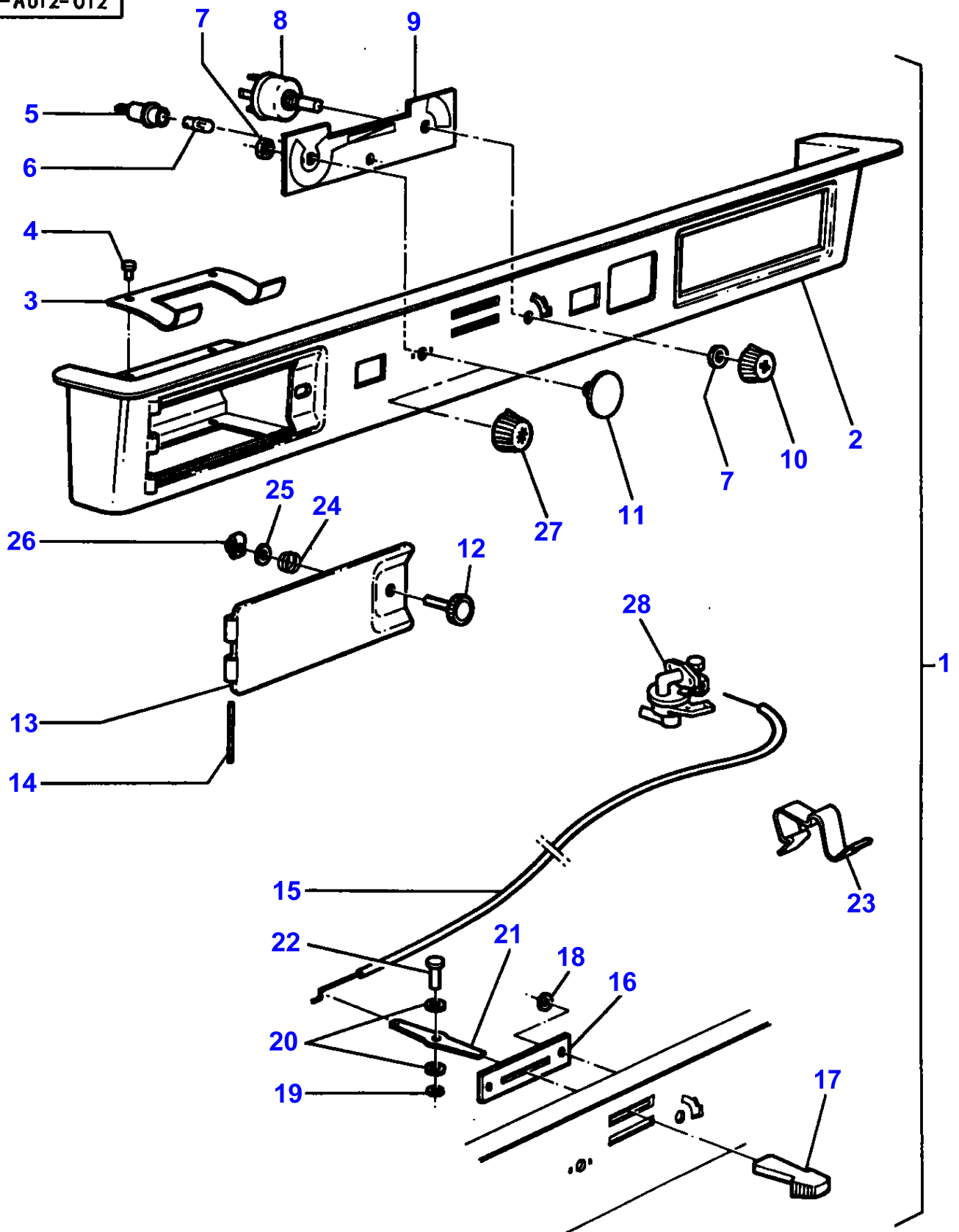
1-AU12-005



TRACTOR CAB-HEATER - HEATER OPERATING

Item	Part Number	Qty	Description	Comments
				HEATER OPERATING
1	3388030M1	4	Louvre	
2	3388658M1	1	Shutter	
3	3388659M1	1	Retaining Plate	
4	391349X1	7	Rivet	
5		1	Control Panel	See Page - Reference Number 431/
6	1427000M1	7	Washer	
7	373269X1	6	Self Tap Screws	M10X25
	3389854M1	1	Self Tap Screws	M10X19
8		1	Button	[A] See Page - Reference Number 431/2
8		1	Plug	[B] See Page - Reference Number 431/1
9	3580731M1	1	Tape	[B]
				[A] WITH CONDITIONED-AIR
				[B] WITHOUT CONDITIONED-AIR

1 - AU12-012



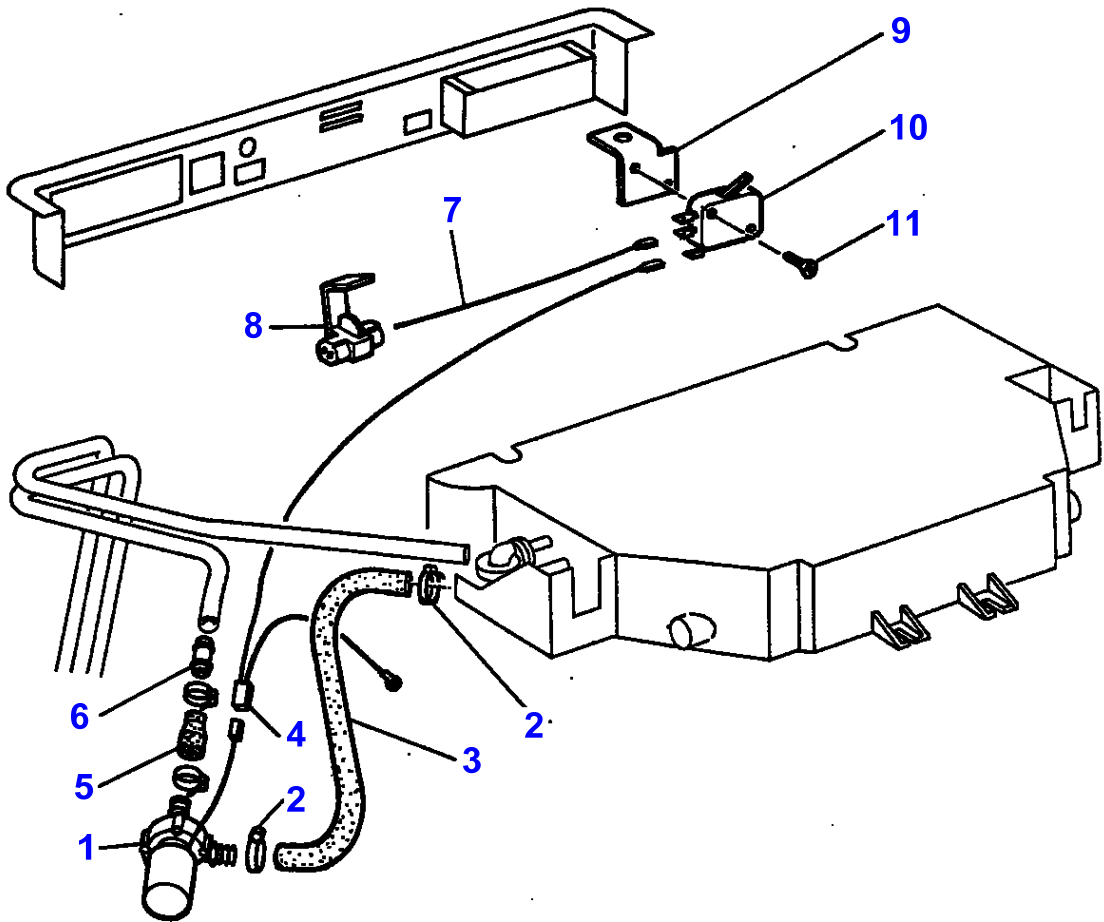
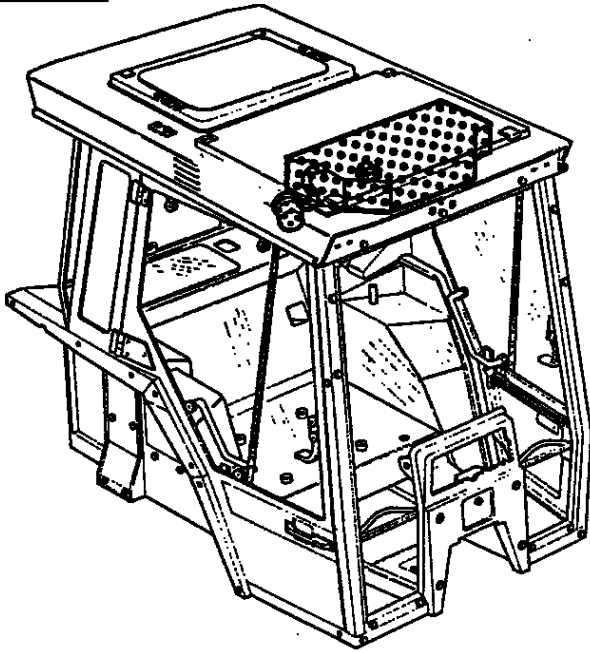
TRACTOR CAB-HEATER

Item	Part Number	Qty	Description	Comments
1	3387516M93	1	Control Panel	
2		1	Control Panel	(1) Not serviced, order REF N1
3	3310859M1	2	Spring	(1)
4	394967X1	4	Rivet	(1)
5	3310869M1	1	Lamp Socket	(1)
6	3405185M1	1	Bulb 12v 1.2w	(1)
7	3310845M1	2	Nut	(1)
8	3310871M1	1	Commutator	(1)
9	3310864M1	1	Diffusing Lens	(1)
10	3302208M1	1	Button	(1)
11	3310865M1	1	Plug	[B] (1)
12	3310861M91	1	Button	(1)
13	3310857M1	1	Gate	(1)
14	3310858M1	1	Clevis Pin	(1)
15	3310874M1	1	Cable	(1)
16	3310866M1	1	Protector	(1)
17	3310870M1	1	Hand Lever	(1)
18	3310872M1	2	Claw	(1)
19	3530586M1	1	Lock Washer	(1)
20	1443775X1	2	Washer	(1)
21	3310867M1	1	Lever	(1)
22	3310868M1	1	Clevis Pin	(1)
23	3310873M1	1	Ratchet	(1)
24	3310862M1	1	Spring	(1)
25	3310863M1	1	Ring	(1)
26	3310860M1	1	Receiver	(1)
27	3310671M1	1	Knob	[A]
28		1	Cock	See Page - Reference Number 422/1

[A]
WITH CONDITIONED-AIR

[B]
WITHOUT CONDITIONED-AIR

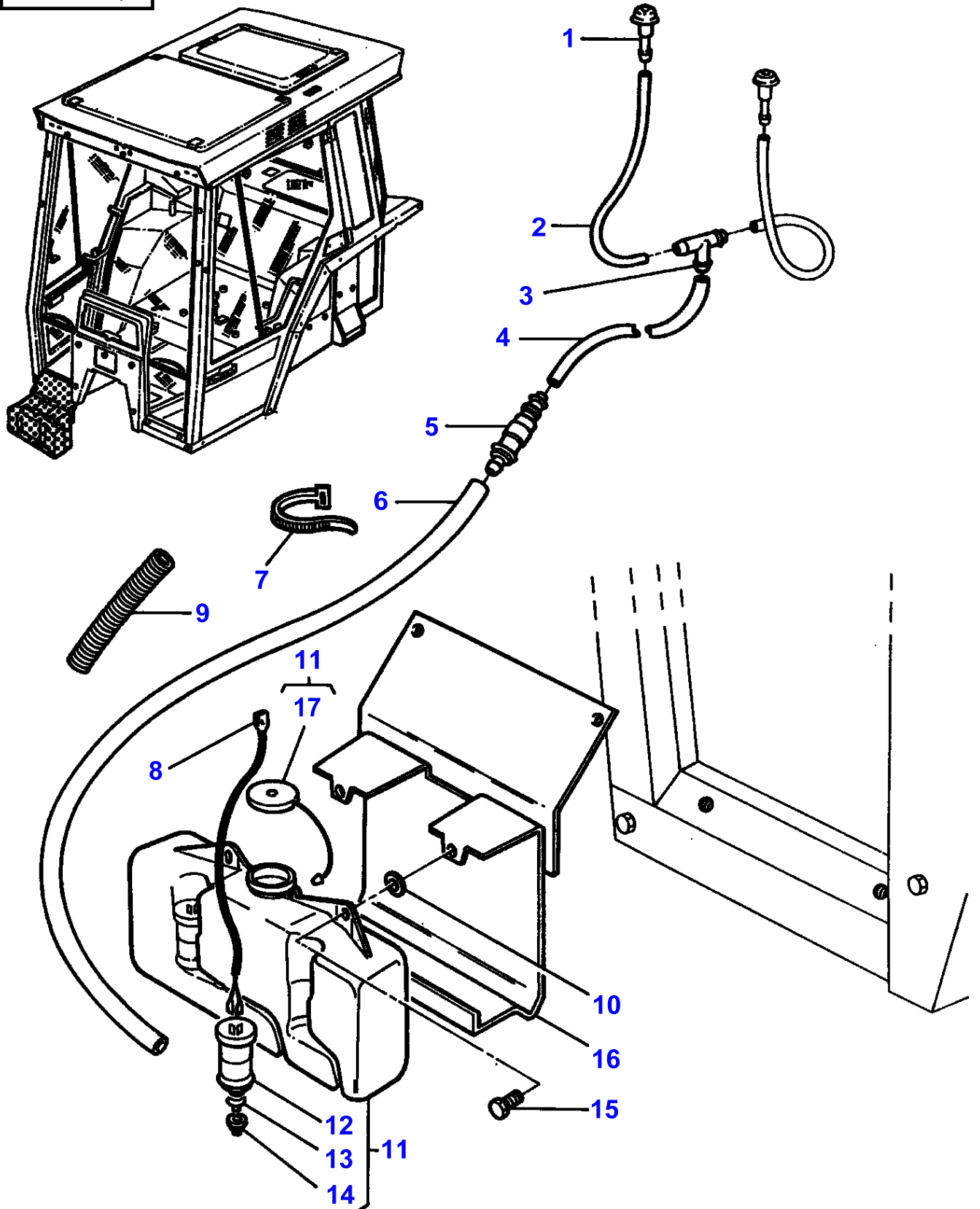
1-AU12 -016



TRACTOR CAB-HEATER

Item	Part Number	Qty	Description	Comments
1	3616065M1	1	Pump	Up to Serial or Engine Number C045006
	3712744M1	1	Water Pump	From Serial or Engine Number C045007
2	3019564X1	4	Hose Clip	
3	3616063M1	1	Hose	
4	3616067M1	1	Harness	Up to Serial or Engine Number C045006
	3712734M1	1	Harness	From Serial or Engine Number C045007
5	3616062M1	1	Hose	
6	3616064M1	1	Tube	
7	3583973M2	1	Wire	
8	3042464M1	1	Union	Up to Serial or Engine Number 06/1991
9	3616430M1	1	Support	
10	3616429M1	1	Switch,Indirect	
11	3010065X1	2	Self Tap Screws	

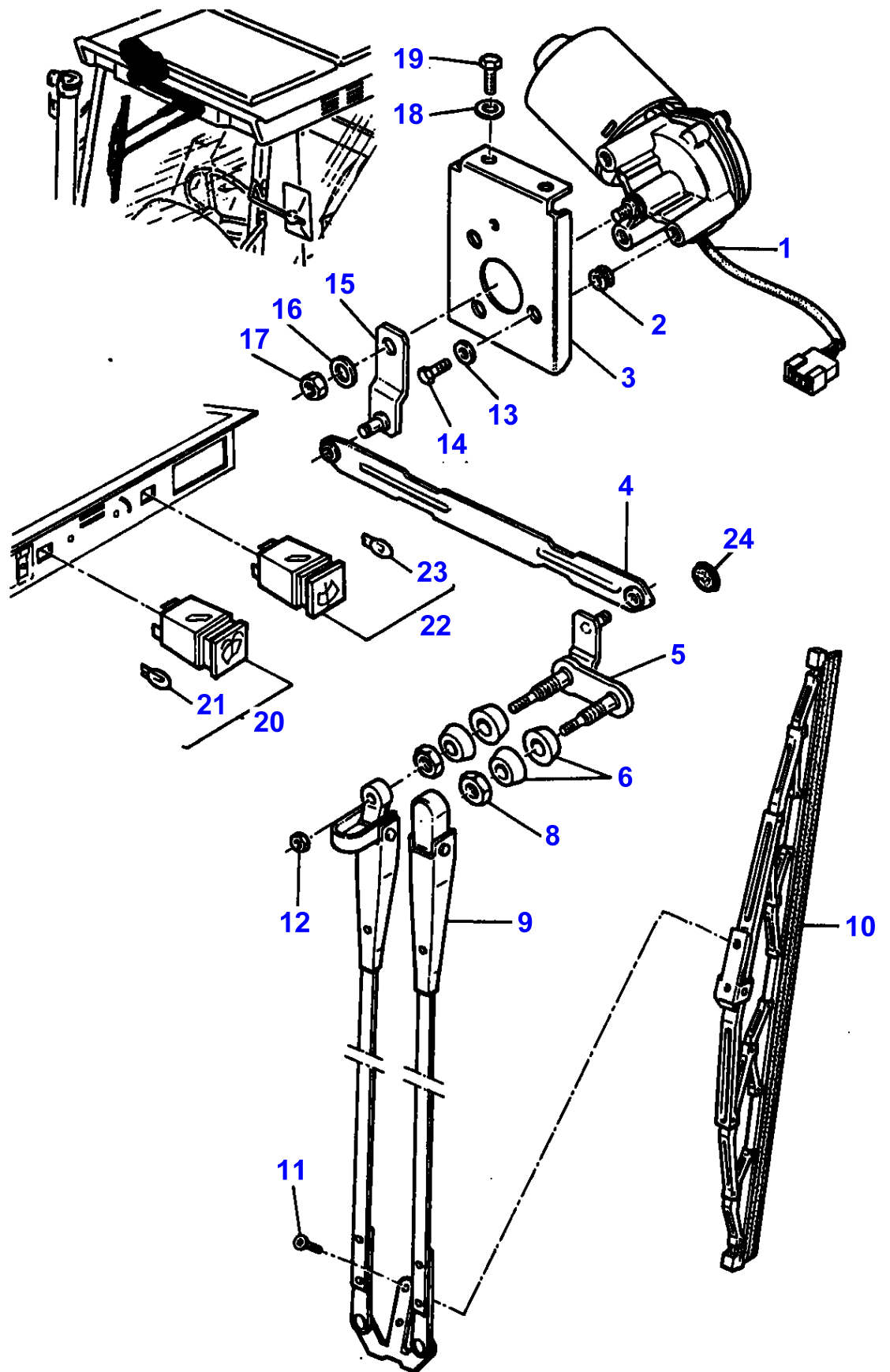
1-AU24-009



TRACTOR CAB-WINDSCREEN WASHER

Item	Part Number	Qty	Description	Comments
1	3389664M1	2	Jet	Repairs and replaces 3583085M1
2	3580902M1	2	Hose	
3	3583069M1	1	Teepiece	
4	3580902M1	1	Hose	
5	3583086M1	1	Pressure Valve	
6	3580902M1	1	Hose	Length 1400MM
7	3619622M1	X	Tie	
8	3388270M1	1	Harness	Up to Serial or Engine Number S189037
	3617411M1	1	Harness	From Serial or Engine Number S189038
				Up to Serial or Engine Number A079031
8	3618017M1	1	Harness	From Serial or Engine Number A079032
9	3615586M1	1	Sheath	Up to Serial or Engine Number
10	390972X1	2	Washer Metric	
11	3582444M91	1	Tank	
12	3582441M1	1	Water Pump	(11)
13	3582443M1	2	Gasket	(11)
14	3582442M1	1	Plug	(11)
15	339009X1	2	Bolt Metric	M8X35
16	3583371M93	1	Support	
17	3106496M1	1	Plug	(11)

1-AU23-002



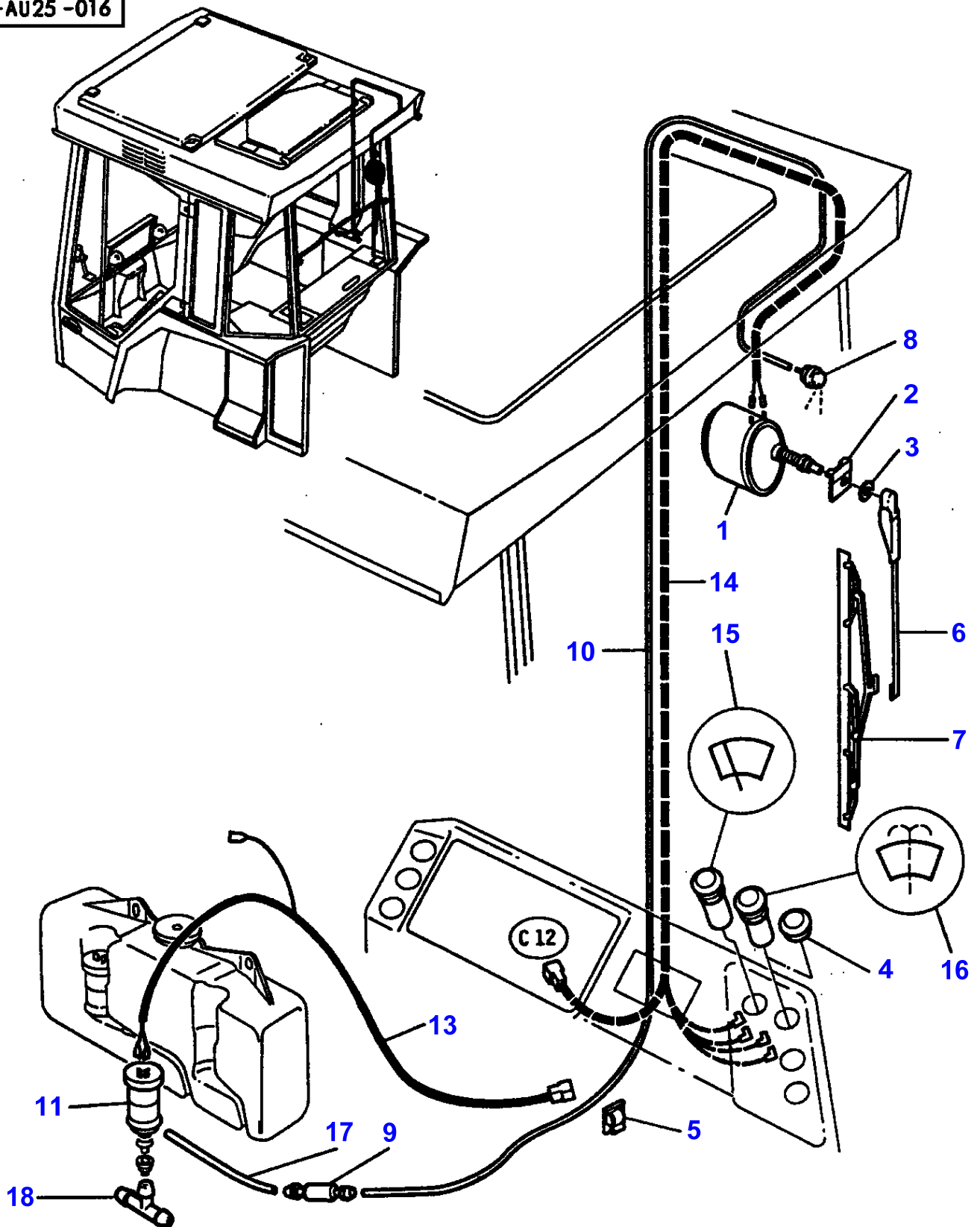
TRACTOR CAB-WINDSCREEN WIPER

Item	Part Number	Qty	Description	Comments
1	3385255M93	1	Engine	
2	1427022M1	3	Shock Absorber	
3	3385252M1	1	Support	
4	1427017M91	1	Rod Link	
5	1427015M91	1	Clevis Pin	
6	3301007M1	4	Spacer	
8	339592X1	2	Nut Metric	
9	3385253M91	1	Arm	
10	3620129M91	1	Wiper Blade	3385254M91
11	392409X1	2	Screw	M5X6
12	1441461X1	2	Nut Metric	M8
13	339588X1	3	Washer	
14	339666X1	3	Screw Metric	M6X20
15	3385430M1	1	Crank	
16	390972X1	1	Washer Metric	
17	390345X1	1	Nut Metric	
18	390972X1	3	Washer Metric	
19	339124X1	3	Screw Metric	M8X16
20	3388137M91	1	Switch,Indirect	[B]
21	3405185M1	1	Bulb 12v 1.2w	(20)
22	3388134M91	1	Switch,Indirect	[A]
23	3405185M1	1	Bulb 12v 1.2w	(22)
24	1874928M1	1	Plug	

[A]
SWITCH-WIPER

[B]
SWITCH-WASHER

1-AU25-016



TRACTOR CAB-REAR WINDOW WIPER

Item	Part Number	Qty	Description	Comments
1	3582046M1	1	Engine	
2	3582640M11	1	Strap	3582640M91
3	3582643M1	1	Washer	
4	3380422M2	2	Plug	[A]
	3380422M2	1	Plug	[B]
				From Serial or Engine Number S346032
5	3760697M1	1	Clip	
6	3582048M1	1	Arm	
7	3582047M1	1	Wiper Blade	
8	3389664M1	1	Jet	
9	3583086M1	1	Pressure Valve	
10	3388403M2	1	Hose	Length 4800MM
11	3582441M1	1	Water Pump	Up to Serial or Engine Number S346031
13	3388270M1	1	Harness	Up to Serial or Engine Number S189037
	3617411M1	1	Harness	From Serial or Engine Number S189038
				Up to Serial or Engine Number S346031
14	3583288M1	1	Harness	[C]
				Up to Serial or Engine Number A174030
14	3618398M1	1	Harness	[C]
				From Serial or Engine Number A174031
14	3583288M1	1	Harness	[D]
				Up to Serial or Engine Number A107031
14	3618398M1	1	Harness	[D]
				From Serial or Engine Number A107032
15	3388401M1	1	Switch	
16	3384745M1	1	Switch,Indirect	Up to Serial or Engine Number S346031
17	3580902M1	1	Hose	Length 150MM
18	3583069M1	1	Teepiece	From Serial or Engine Number S346032

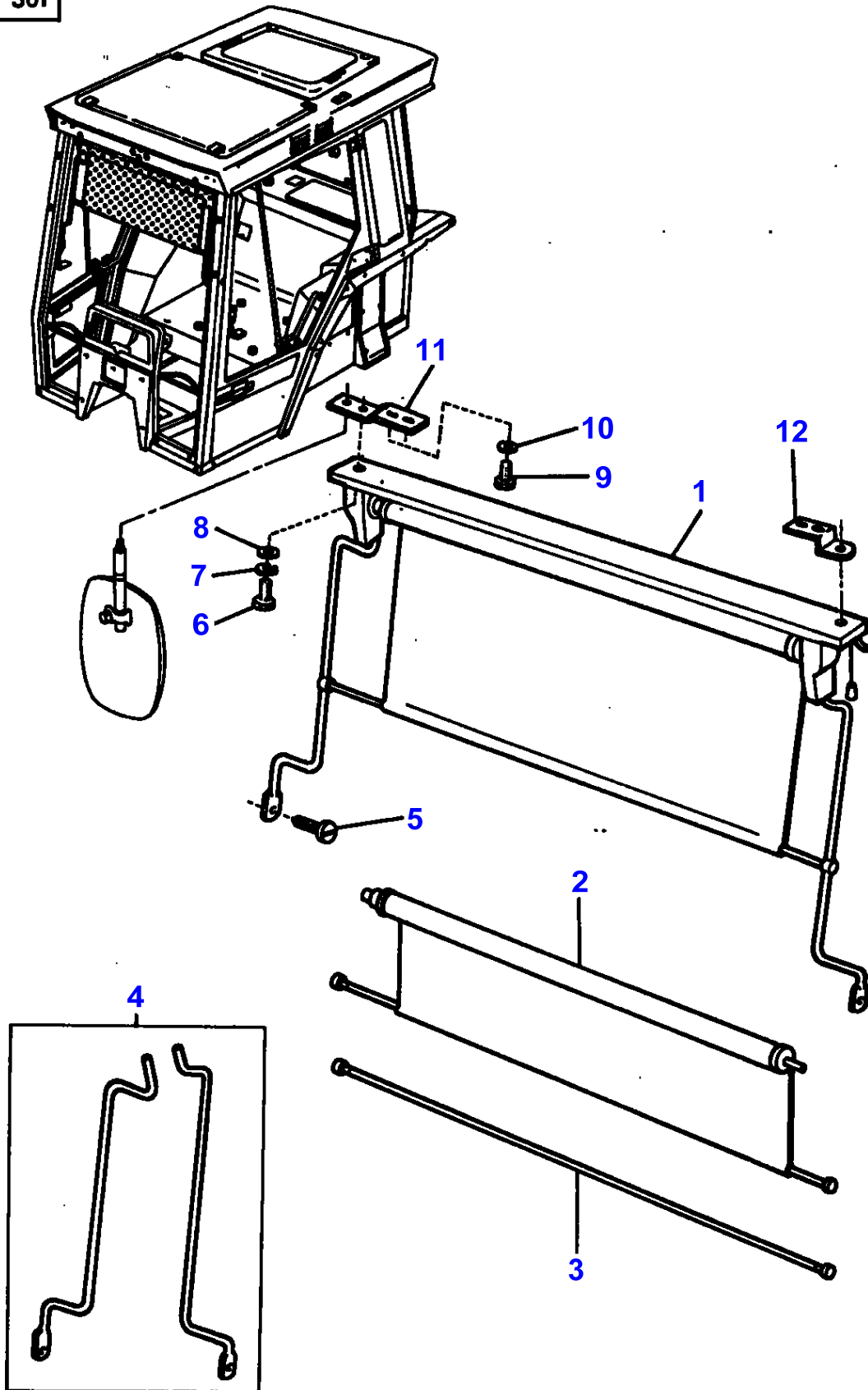
[A]
WITHOUT REAR WIPER AND WASHER WINDSCREEN

[B]
WITHOUT WASHER WINDSCREEN

[C]
FOR SPEEDSHIFT

[D]
WITH DYNASHIFT

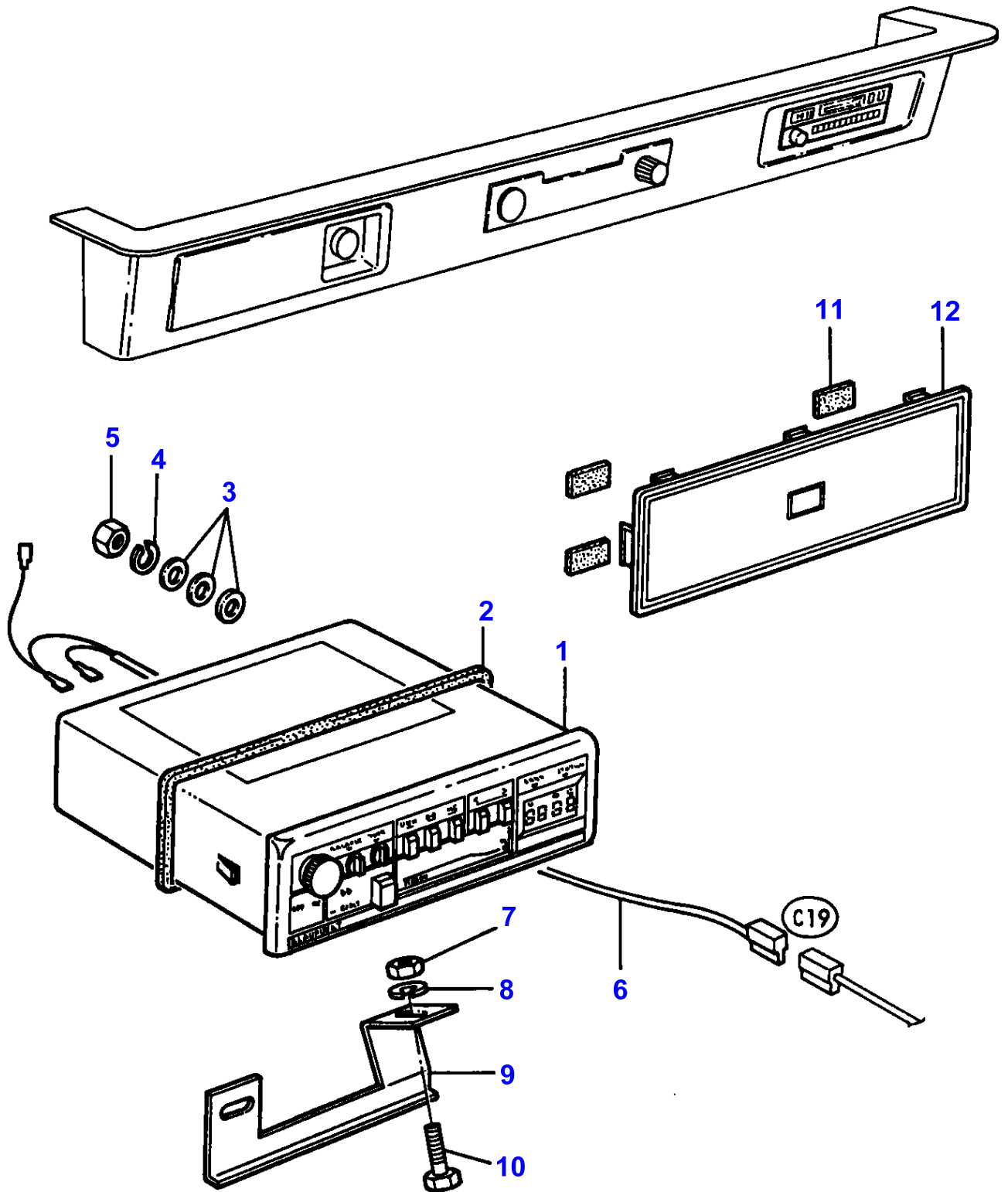
1-1906-301



MASSEY FERGUSON**MF 3690 TRACTOR - 1637223****1637223****436****TRACTOR CAB-SUN SHIELD**

Item	Part Number	Qty	Description	Comments
1	3619080M91	1	Canopy	
2	3467389M91	1	Shutter	Up to Serial or Engine Number B022011
3	3467388M91	1	Bar	Up to Serial or Engine Number B022011
4	3467387M92	1	Rod	Up to Serial or Engine Number B022011
5	365925X1	2	Self Tap Screws	
6	339560X1	2	Screw Metric	
7	339375X1	2	Lock Washer	
8	390971X1	2	Washer Metric	
9	3580257M1	4	Screw	M5X20
10	339381X1	4	Lock Washer	
11	3389749M1	1	Support	Right Hand
12	3389750M1	1	Support	Left Hand

1 - AU26-013

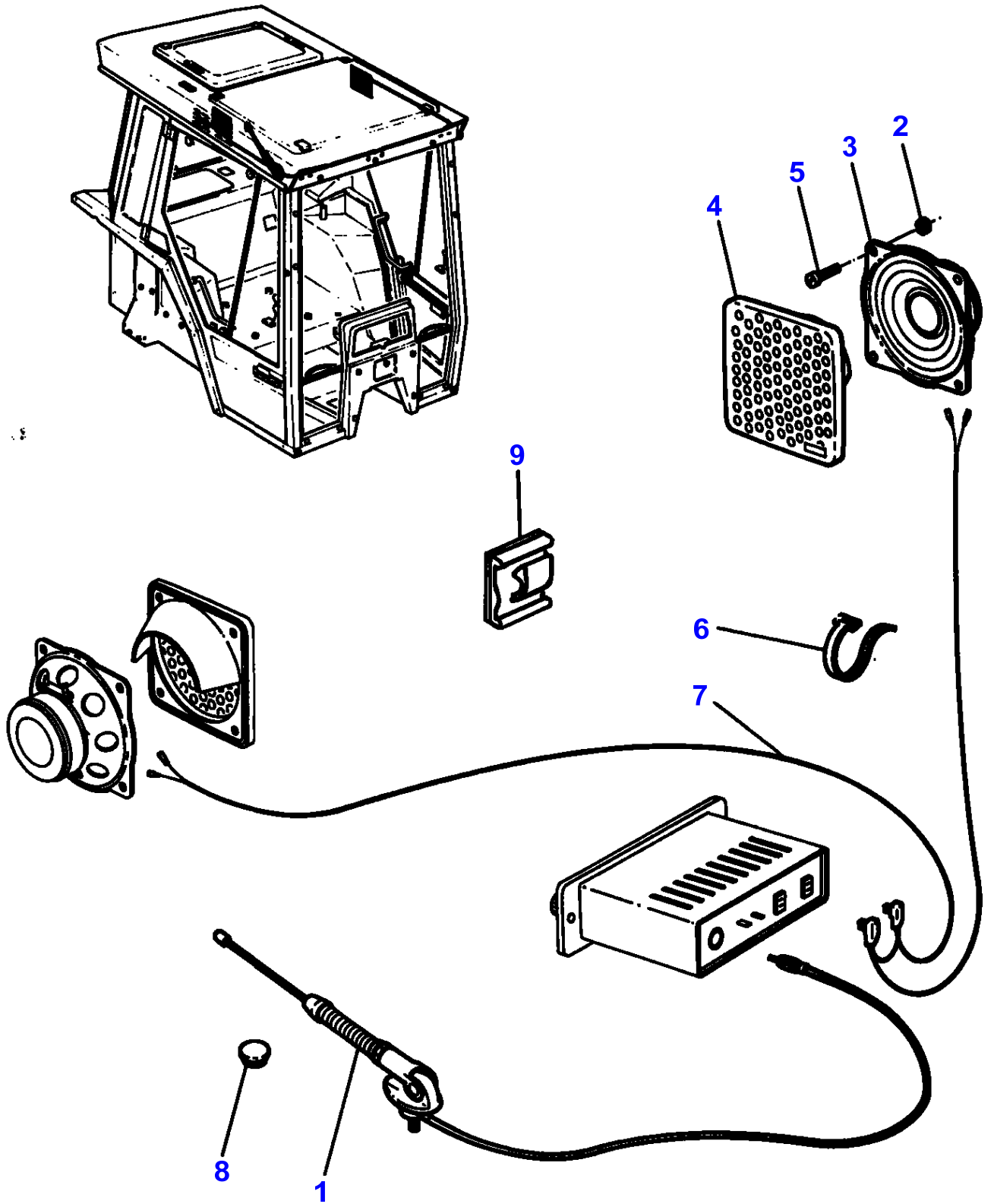


TRACTOR CAB-RADIO INSTALLATION - BLAUPUNKT TYPE

Item	Part Number	Qty	Description	Comments
				BLAUPUNKT TYPE
1	3619322M1	1	Radio Cas Push B	
2	3581038M1	1	Spacer	
3	390469X1	3	Washer Metric	
4	339381X1	1	Lock Washer	
5	390995X1	1	Nut Metric	
6	3581040M1	1	Harness	Up to Serial or Engine Number B127001
	3580342M2	1	Harness	From Serial or Engine Number B127002
7	390995X1	1	Nut Metric	
8	339381X1	1	Lock Washer	
9	3583352M1	1	Support	
10	339721X1	1	Screw Metric	Diameter M5 Length 16MM
11	3580174M1	4	Gasket	[A]
12	3580173M1	1	Plate	[A]

[A]
WITHOUT RADIO

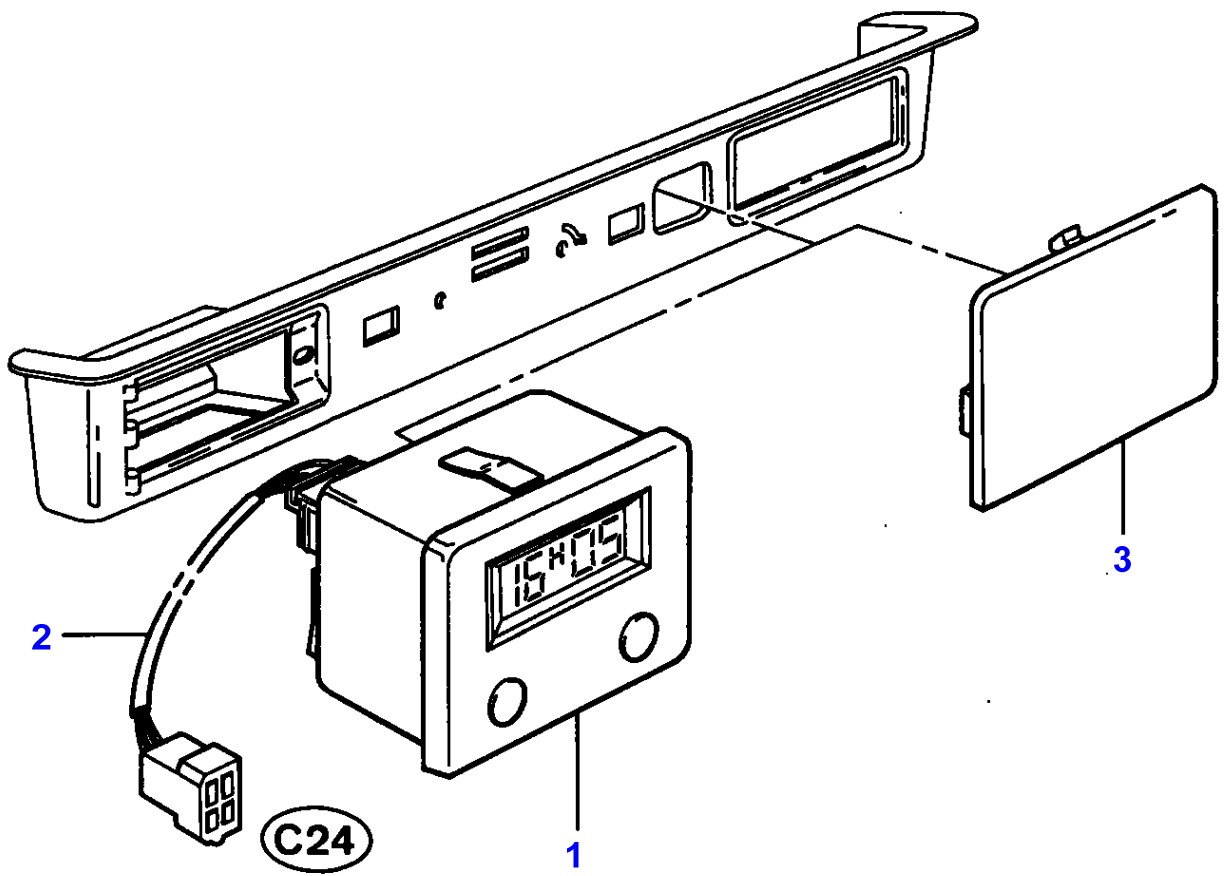
1 - AU26 - 002



TRACTOR CAB-RADIO INSTALLATION

Item	Part Number	Qty	Description	Comments
1	3617629M91	1	Top Aerial	
2	3389351M1	8	Nut	
3	3617394M1	2	Speaker	Up to Serial or Engine Number A065035
	3617394M1	2	Speaker	From Serial or Engine Number A065036
4	3389655M1	2	Grille	Up to Serial or Engine Number A051035
	3617395M1	2	Grille	From Serial or Engine Number A051036
5	365925X1	8	Self Tap Screws	Up to Serial or Engine Number A051035 M 10X19
5	373269X1	8	Self Tap Screws	From Serial or Engine Number A051036 M 10X25
6	3619622M1	1	Tie	
7	3388458M4	1	Harness	
8	1699748M1	1	Plug	
9	3583514M1	1	Strap	Diameter 6MM
	3760697M1	1	Clip	Diameter 11MM

1 - AU18 - 001



+

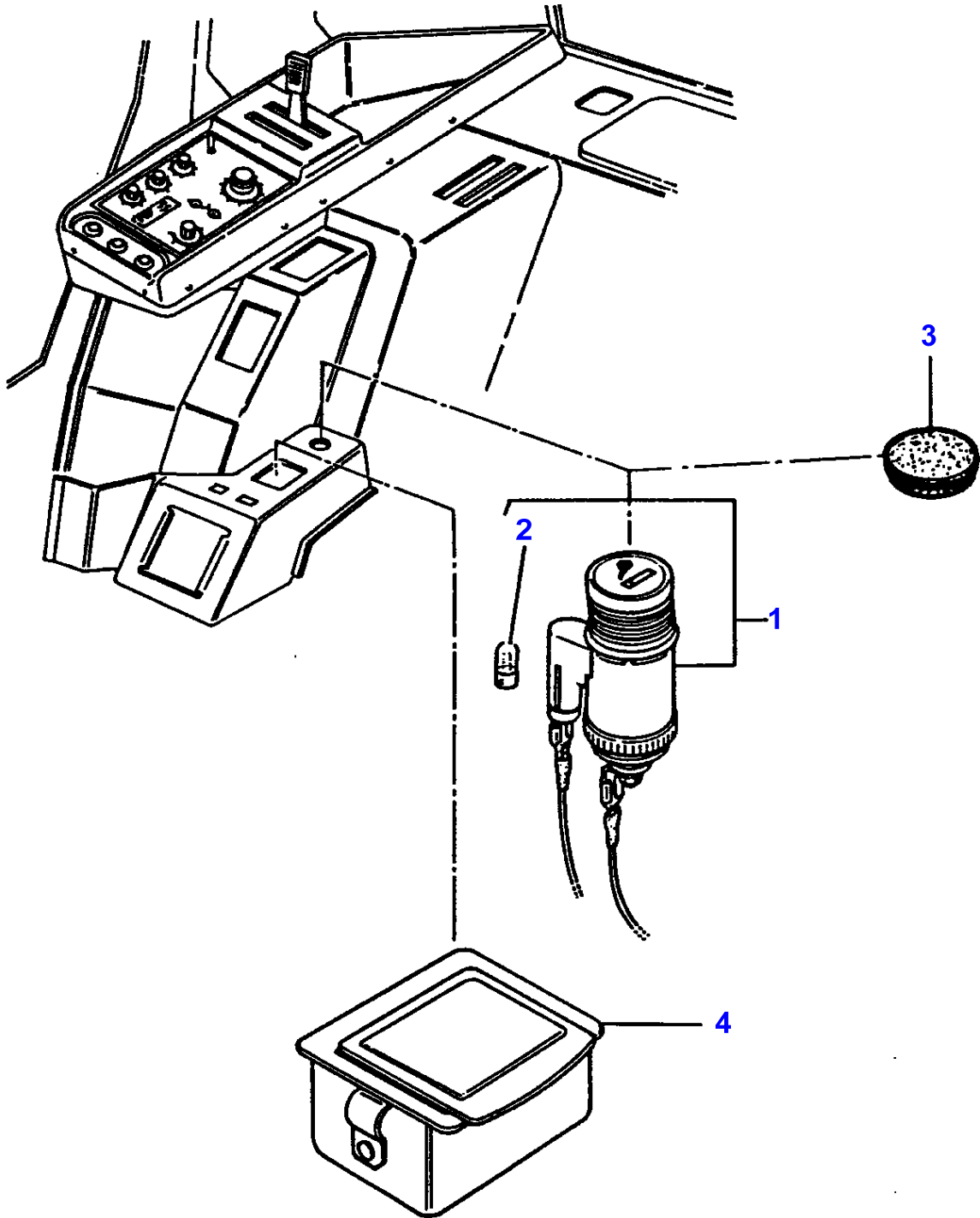
MASSEY FERGUSON**MF 3690 TRACTOR - 1637223****1637223****TRACTOR CAB - DIGITAL WATCH****439**

Item	Part Number	Qty	Description	Comments
------	-------------	-----	-------------	----------

1	3615611M1	1	Clock	
2	3615385M1	1	Harness	
3	3581338M1	1	Cover	

DIGITAL WATCH

1- AU33-004

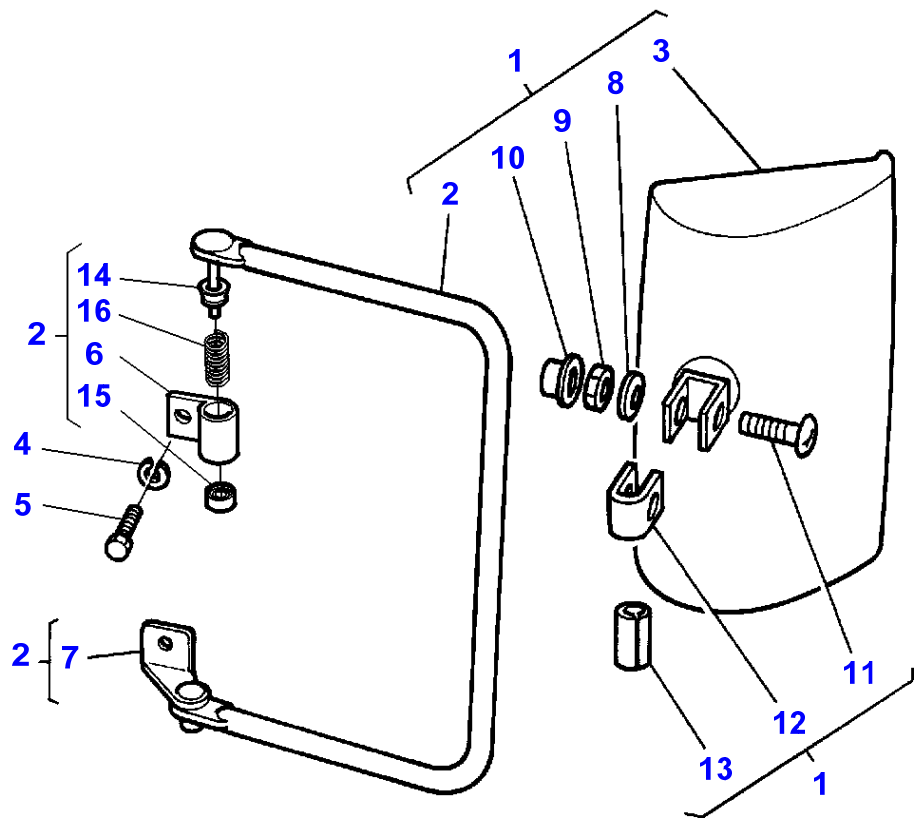
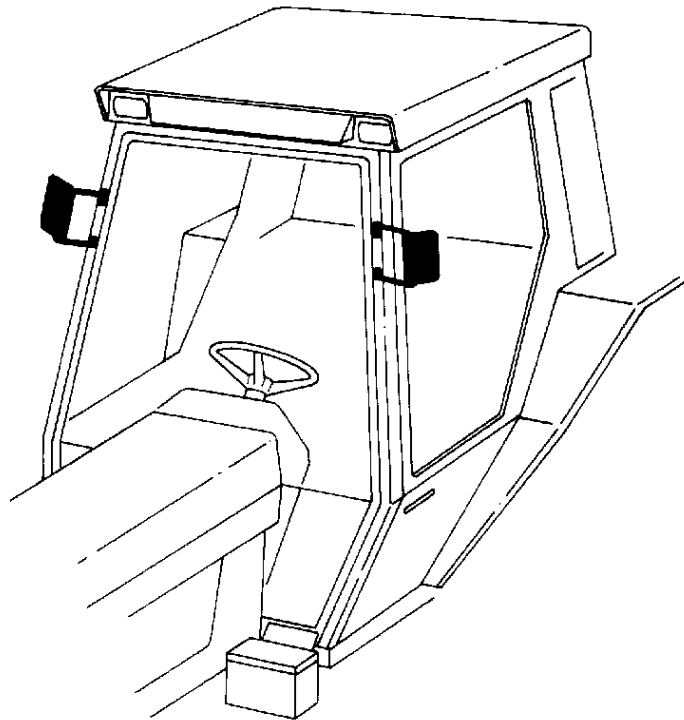


MASSEY FERGUSON**MF 3690 TRACTOR - 1637223****1637223****CIGAR LIGHTER AND ASHTRAY****440**

Item	Part Number	Qty	Description	Comments
1	3304480M91	1	Lighter	Up to Serial or Engine Number A174007
	3617848M91	1	Lighter	From Serial or Engine Number A174008
2	3405185M1	1	Bulb 12v 1.2w	(1)
3	3617983M1	1	Plug	[A]
4	3301829M91	1	Ashtray	

[A]
WITHOUT CIGAR LIGHTER

1-AU29-016

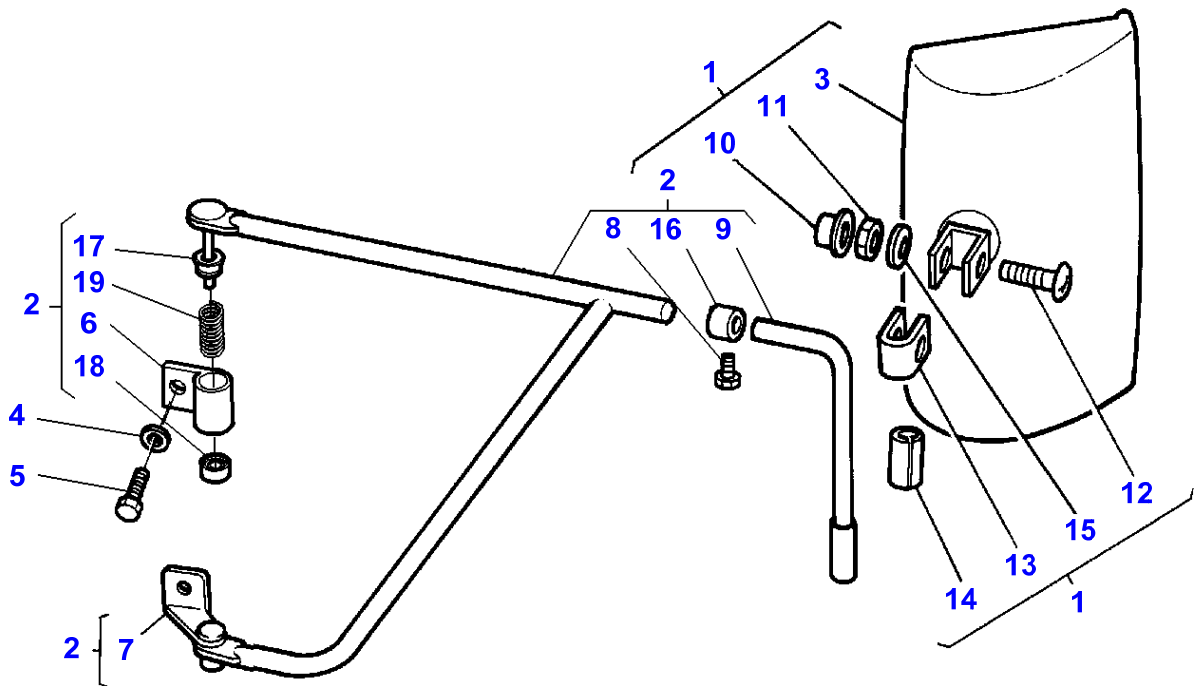
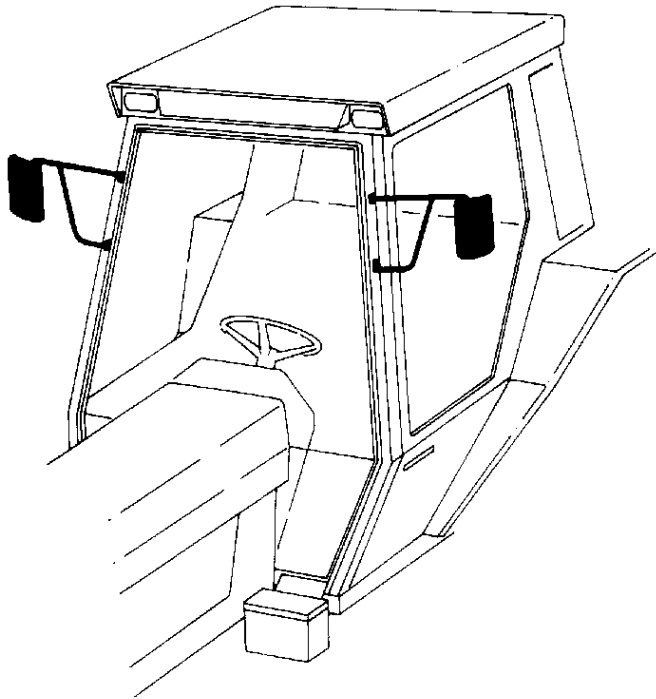


TRACTOR CAB-EXTERNAL MIRRORS

Item	Part Number	Qty	Description	Comments
1	3389356M95	1	Mirror	Right Hand
	3389357M95	1	Mirror	Left Hand
	3389356M95	1	Mirror	[A] Right Hand Up to Serial or Engine Number B256010
1	3389357M95	1	Mirror	[A] Left Hand Up to Serial or Engine Number B256010
2	3104951M2	1	Arm	(1) Right Hand
2	3104950M2	1	Arm	(1) Left Hand
3	3104954M1	1	Mirror	(1)
4	385361X1	4	Washer Metric	
5	339123X1	4	Screw Metric	
6	3105358M2	1	Holder	(2) Right Hand
6	3105256M2	1	Support	(2) Left Hand
7	3105359M2	1	Holder	(2) Right Hand
7	3105257M2	1	Holder	(2) Left Hand
8	390971X1	1	Washer Metric	(1)
9	1441500X1	1	Locknut	(1)
10	3105260M1	1	Helmet	(1)
11	3100351M1	1	Screw	(1)
12	3105259M1	1	Clamp	(1)
13	3105258M1	1	Bush	(1)
14	3105255M1	1	Spacer	(2)
15	3105254M1	1	Helmet	(2)
16	3105252M1	1	Spring	(2)

[A]
FOR JAPANESE MARKET ONLY

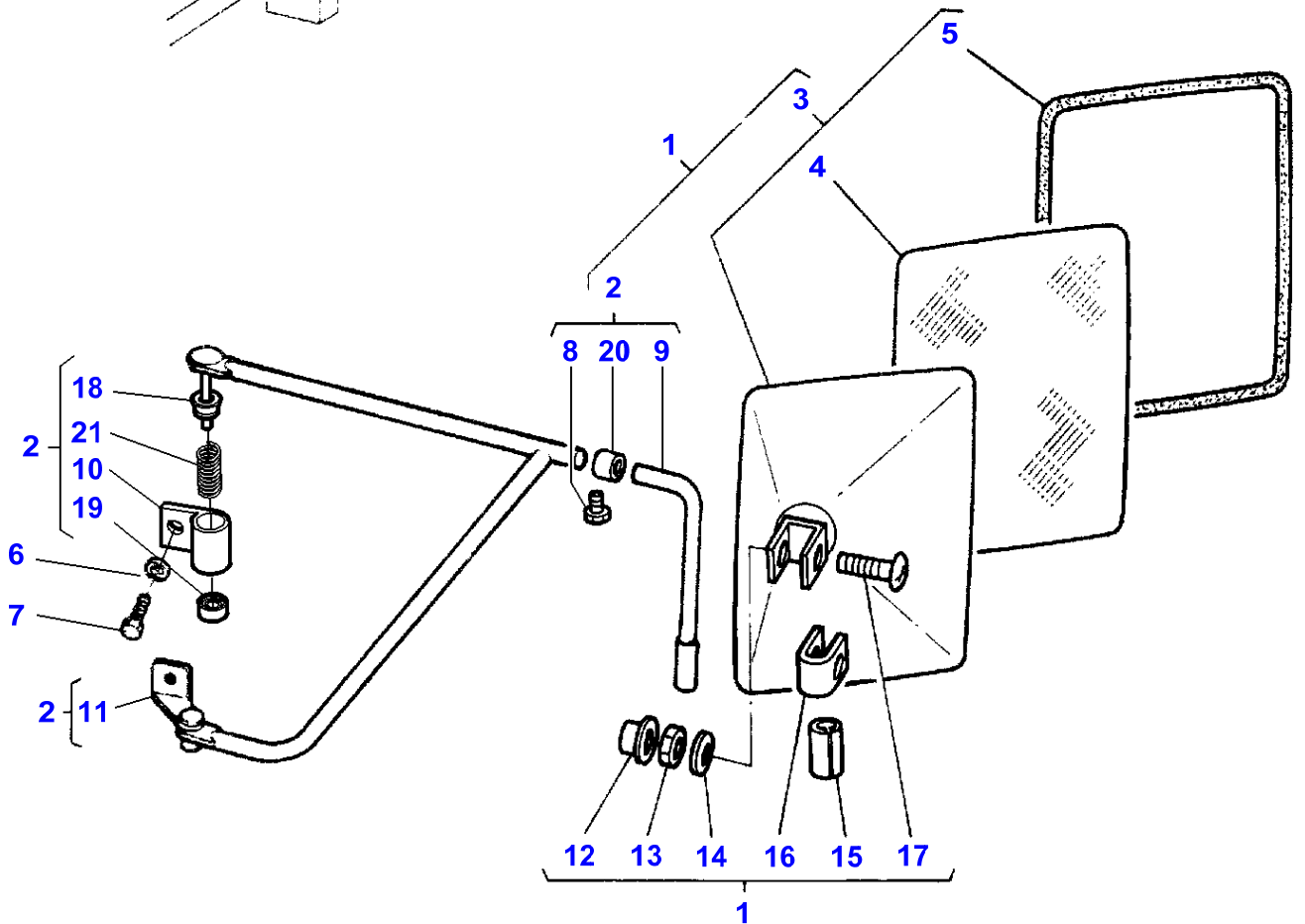
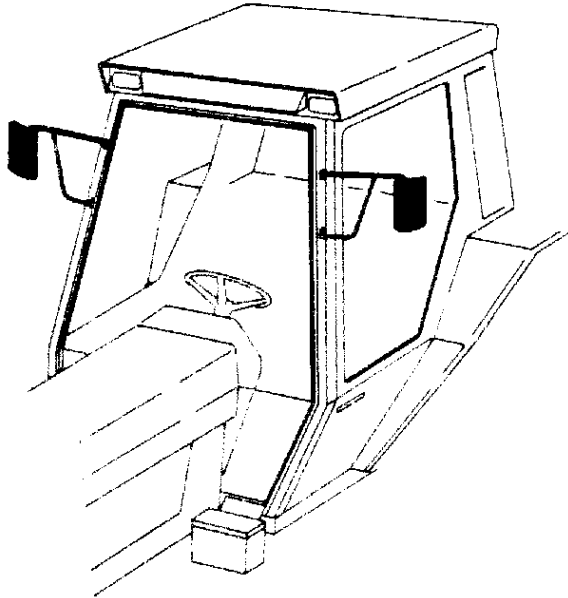
1-AU29-015



TRACTOR CAB-EXTERNAL MIRRORS - UP TO SERIAL NUMBER B202000

Item	Part Number	Qty	Description	Comments
				UP TO SERIAL NUMBER B202000
1	3389360M94	1	Mirror	Left Hand
	3389361M94	1	Mirror	Right Hand
2	3104952M2	1	Arm	(1)
				Left Hand
2	3104953M2	1	Arm	(1)
				Right Hand
3	3104954M1	1	Mirror	(1)
4	385361X1	4	Washer Metric	
5	339123X1	4	Screw Metric	
6	3105256M2	1	Support	(2)
				Left Hand
6	3105358M2	1	Holder	(2)
				Right Hand
7	3105257M2	1	Holder	(2)
				Left Hand
7	3105359M2	1	Holder	(2)
				Right Hand
8	1444203X1	1	Screw	(2)
9	3105261M1	1	Stem	(2)
10	3105260M1	1	Helmet	(1)
11	1441500X1	1	Locknut	(1)
12	3100351M1	1	Screw	(1)
13	3105259M1	1	Clamp	(1)
14	3105258M1	1	Bush	(1)
15	390971X1	1	Washer Metric	(1)
16	3105263M1	1	Sleeve	(2)
17	3105255M1	1	Spacer	(2)
18	3105254M1	1	Helmet	(2)
19	3105252M1	1	Spring	(2)

1-AU29-018

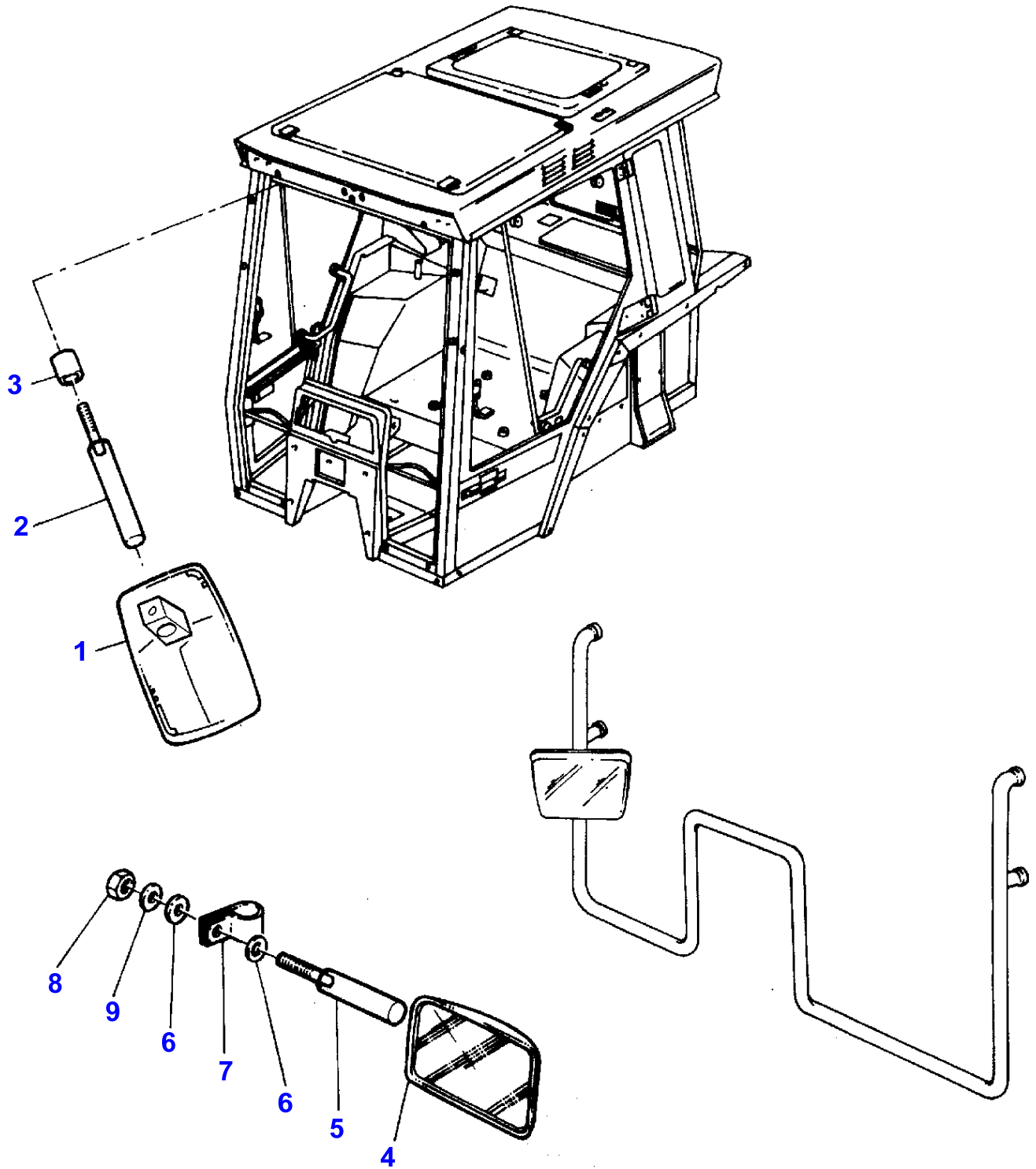


TRACTOR CAB-EXTERNAL MIRRORS

Item	Part Number	Qty	Description	Comments
1	3581447M93	1	Mirror	Left Hand For Germany only or any text in German only
1	3581448M93	1	Mirror	Right Hand For Germany only or any text in German only
2	3104952M2	1	Arm	(1) Left Hand
2	3104953M2	1	Arm	(1) Right Hand
3	3104955M1	1	Mirror Glass	(1)
4	3104956M1	1	Mirror Glass	(3)
5	3104957M1	1	Gasket	(3)
6	385361X1	4	Washer Metric	
7	339123X1	4	Screw Metric	
8	1444203X1	1	Screw	(2)
9	3105261M1	1	Stem	(2)
10	3105256M2	1	Support	(2) Left Hand
10	3105358M2	1	Holder	(2) Right Hand
11	3105257M2	1	Holder	(2) Left Hand
11	3105359M2	1	Holder	(2) Right Hand
12	3105260M1	1	Helmet	(1)
13	1441500X1	1	Locknut	(1)
14	390971X1	1	Washer Metric	(1)
15	3105258M1	1	Bush	(1)
16	3105259M1	1	Clamp	(1)
17	3100351M1	1	Screw	(1)
18	3105255M1	1	Spacer	(2)
19	3105254M1	1	Helmet	(2)
20	3105263M1	1	Sleeve	(2)
21	3105252M1	1	Spring	(2)

[A]
FOR JAPANESE MARKET ONLY

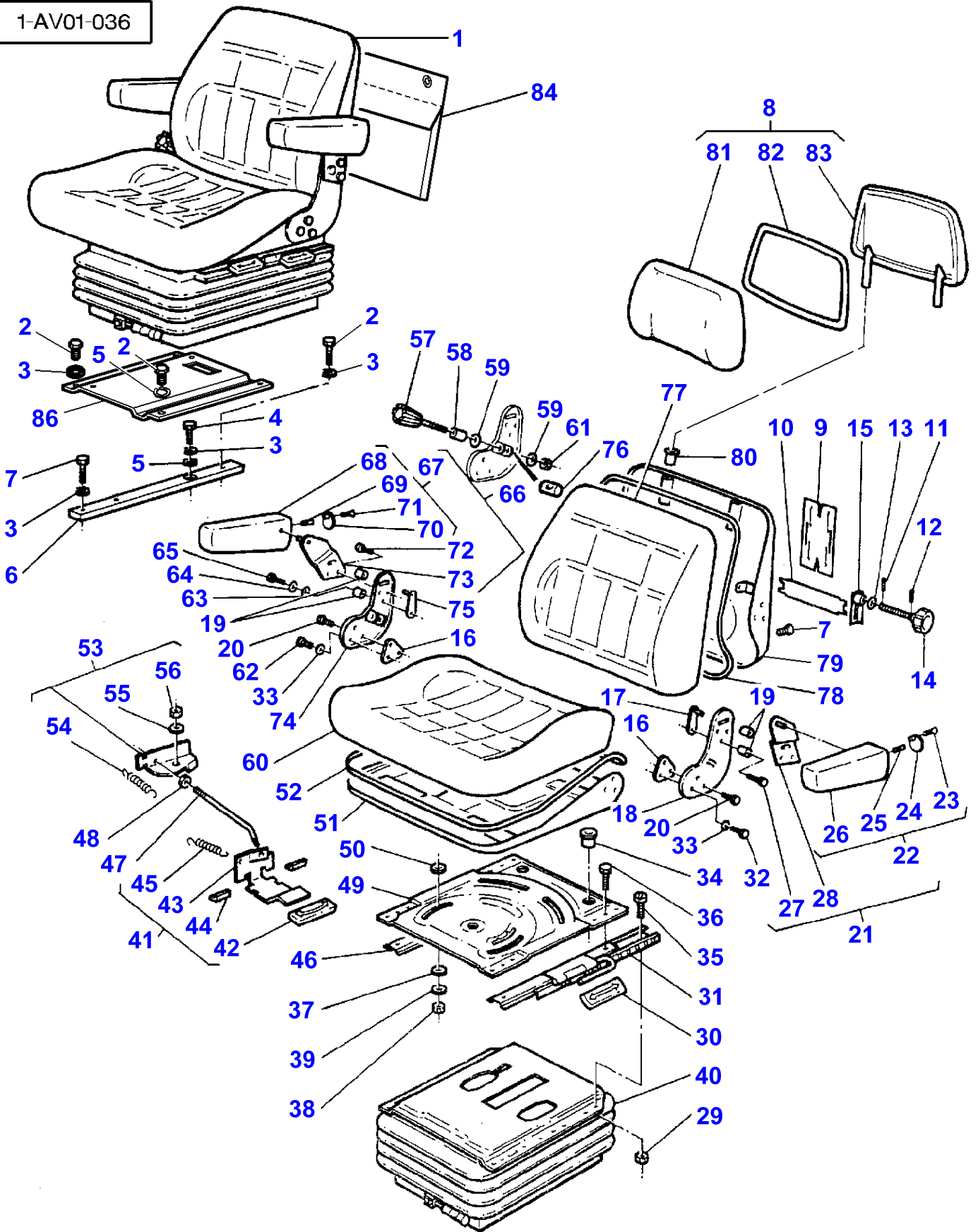
1-AU30-005



MASSEY FERGUSON**MF 3690 TRACTOR - 1637223****1637223****TRACTOR CAB-INTERNAL MIRRORS****444**

Item	Part Number	Qty	Description	Comments
1	3806618M91	1	Mirror	3582044M2
2	3581239M1	1	Clevis Pin	
3	3389751M1	1	Spacer	
4	3806618M91	1	Mirror	3582044M2
5	3581239M1	1	Clevis Pin	
6	385362X1	2	Washer Metric	
7	3581507M1	1	Clamp	
8	339402X1	1	Nut Metric	
9	391026X1	1	Lock Washer	

1-AV01-036



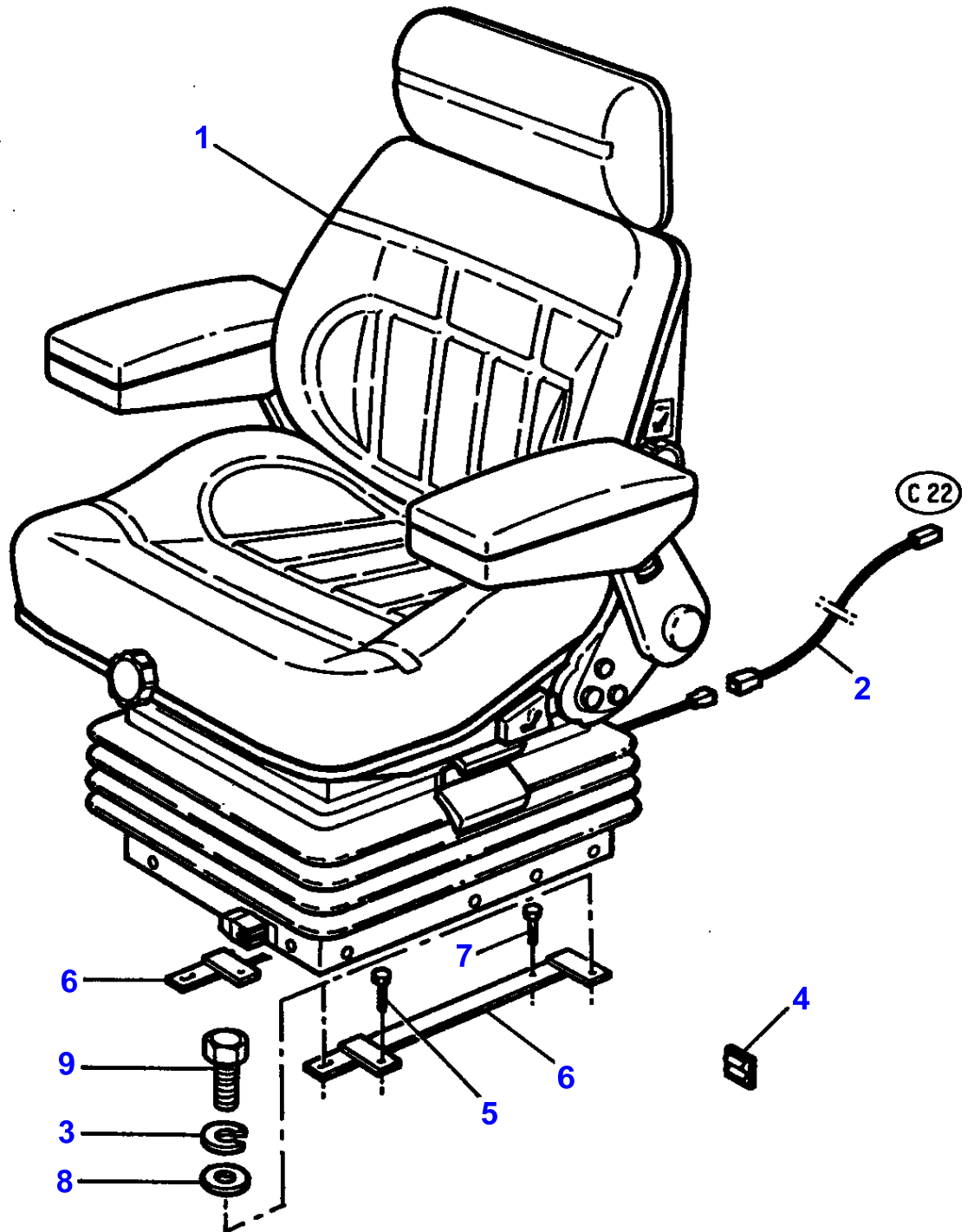
SEAT-GRAMMER

Item	Part Number	Qty	Description	Comments
1	3580784M91	1	Seat	DS 85H/90A
2	339124X1	8	Screw Metric	
3	339374X1	4	Lock Washer	
4	339337X1	2	Screw Metric	
5	390972X1	2	Washer Metric	
6	3389569M2	2	Rail	Up to Serial or Engine Number B007013
7	339123X1	2	Screw Metric	Up to Serial or Engine Number B007013
8	3389501M2	1	Head Rest	
9	3103615M1	1	Plate	(1)
10	3101502M1	1	Plate	(1)
11	1440910X1	1	Pin	(1)
12	1441723X1	1	Spirol Pin	(1)
13	391583X1	1	Washer	(1)
14	3103616M1	1	Adjuster	(1)
15	3101503M1	1	Angle	(1)
16	3101510M1	2	Chock	(1)
17	3101508M1	1	Spacer	(1)
18	3101507M1	1	Strap	(1)
19	3101509M1	4	Tube	(1)
20	3101656M1	4	Screw Special	(1)
21	3103588M92	1	Armrest	(1)
				Left Hand
22	3103589M91	1	Armrest	(21)
23	392405X1	1	Self Tap Screws	(22)
24	3102297M1	1	Cover	(22)
25	3102001M1	1	Screw Special	(22)
26	3102296M1	1	Armrest	(22)
27	3101996M1	2	Screw Special	(21)
28	3106024M1	1	Holder	(21)
29	339169X1	4	Nut Metric	(1)
30	3104903M1	1	Handle	(1)
31	3104909M1	1	Slipper	(1)
				Left Hand
32	361526X1	1	Screw	(1)
33	3101522M1	2	Tooth Washer	(1)
34	3104910M1	2	Plug	(1)
35	3001379X1	4	Screw	(1)
36	339228X1	4	Screw Metric	(1)
37	3104901M1	4	Washer	(1)
38	1441461X1	4	Nut Metric	(1)
39	391039X1	4	Washer Metric	(1)
40		1	Suspension	(1)
				See Page - Reference Number 448/
41	3104915M91	1	Shifter	(1)
42	3104906M1	1	Handle	(41)
43		1	Strap	(41)
				Not serviced, order REF NO 41
44	3104907M1	2	Catch	(41)
45	3104905M1	1	Spring	(41)
46	3104908M1	1	Slipper	(1)
				Right Hand
47	3104904M1	1	Stem	(1)
48	1441462X1	1	Locknut	(1)
49	3104900M1	1	Pivot Plate	(1)
50	3102265M1	4	Washer	(1)
51	3104899M1	1	Seat Plate	(1)
52	3103619M1	1	Gasket	(1)
53	3104914M91	1	Pivot Plate	(1)
54	3104902M1	1	Spring	(53)
55	390972X1	1	Washer Metric	(53)
56	1441461X1	1	Nut Metric	(53)
57	3101514M1	1	Adjuster	(1)
58	3101496M1	1	Tube	(1)
59	390734X1	2	Washer Metric	(1)
60	3104941M1	1	Cushion	(1)
				3105009M1
61	390881X1	1	Nut Metric	(1)
62	361526X1	1	Screw	(1)
63	3101663M1	4	Washer	(1)
64	390972X1	4	Washer Metric	(1)

SEAT-GRAMMER

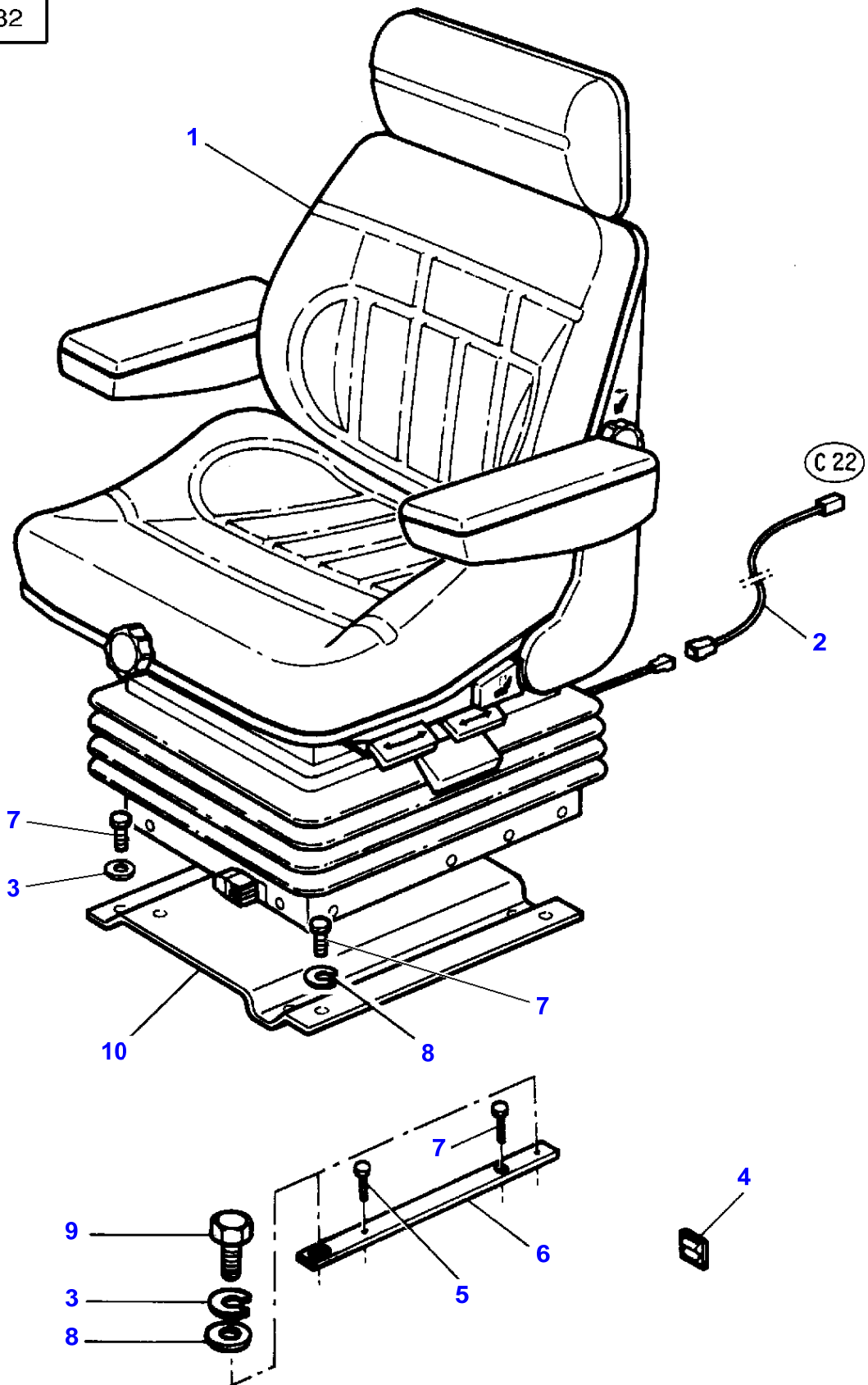
Item	Part Number	Qty	Description	Comments
65	339337X1	4	Screw Metric	(1)
66	3103590M91	1	Armrest	(1) Right Hand
67	3103591M92	1	Armrest	(66)
68	3101998M1	1	Armrest	(67)
69	3102001M1	1	Screw Special	(67)
70	3101997M1	1	Cover	(67)
71	392405X1	1	Self Tap Screws	(67)
72	3101996M1	2	Screw Special	(66)
73	3106023M1	1	Holder	(66)
74	3101515M1	1	Strap	(1)
75	3101511M1	1	Spacer	(1)
76	3101495M1	1	Nut Special	(1)
77	3104940M1	1	Back Rest	(1)
78	3102293M1	1	Profile	(1)
79	3106219M1	1	Frame	(1) 3102120M1
80	3101494M1	2	Bush	(1)
81	3105010M1	1	Cushion	(8)
82	3103464M1	1	Facing	(8)
83	3103463M1	1	Body	(8)
84	3615507M1	1	Pocket	(1)
85	3105129M1	2	Centraliser	(1)
86	3618645M92	1	Support	From Serial or Engine Number B007014

1-AV01-022



Item	Part Number	Qty	Description	Comments
				AIR PRESSURE RIGID
1		1	Seat	See Page - Reference Number 449/ See Page - Reference Number 450/
2	3616211M1	1	Harness	
3	339374X1	4	Lock Washer	
4	3583514M1	2	Strap	
5	3009285X1	1	Screw	
6	3615937M1	2	Slipper	
7	339124X1	3	Screw Metric	M8X16
8	390972X1	4	Washer Metric	
9	339123X1	4	Screw Metric	M8X20

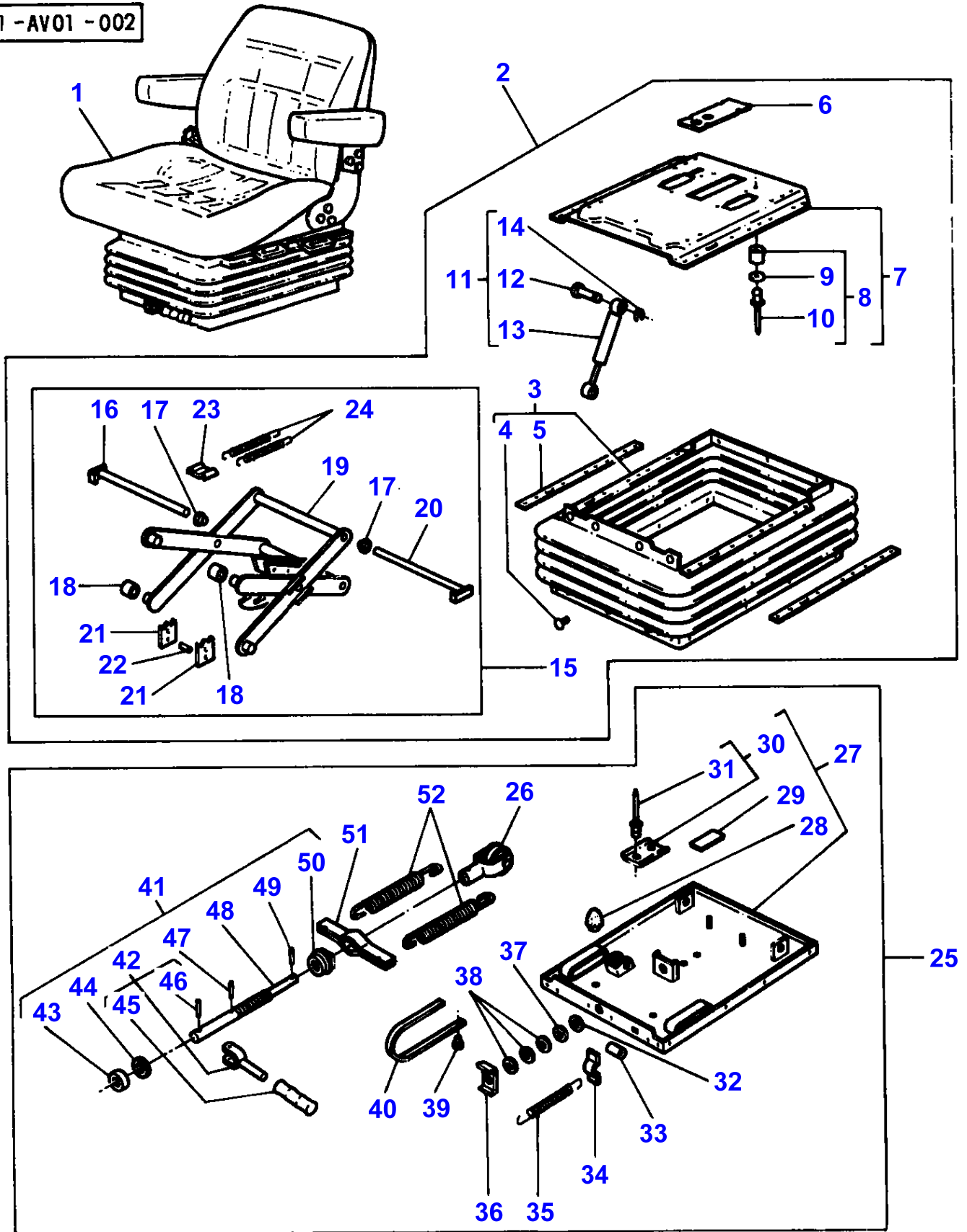
1-AV01-032



SEAT-GRAMMER - TURNING AIR PRESSURE

Item	Part Number	Qty	Description	Comments
				TURNING AIR PRESSURE
1	3615906M91	1	Seat	See Page - Reference Number 451/ See Page - Reference Number 452/
2	3616211M1	1	Harness	
3	339374X1	4	Lock Washer	
4	3583514M1	2	Strap	
5	391989X1	4	Screw Metric	Up to Serial or Engine Number B007013 M8X20
6	3389569M2	2	Rail	Up to Serial or Engine Number B007013
7	339124X1	8	Screw Metric	M8X16
8	390972X1	4	Washer Metric	
9	339123X1	4	Screw Metric	M8X20 Up to Serial or Engine Number B007013
10	3618645M92	1	Support	From Serial or Engine Number B007014

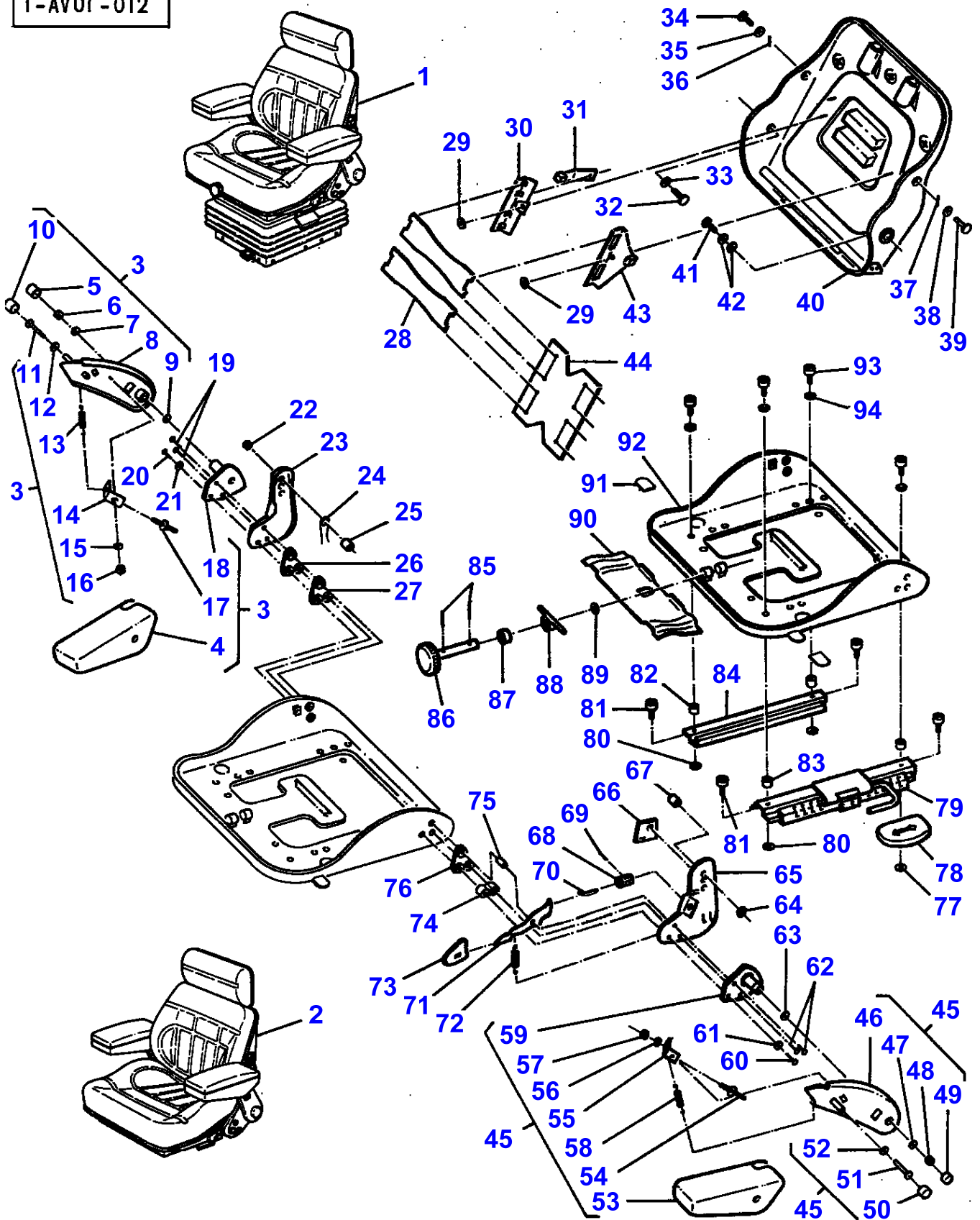
1-AV01-002



SEAT-GRAMMER

Item	Part Number	Qty	Description	Comments
1	3389500M2	1	Seat	DS85/90A
2	3405127M1	1	Suspension	(1)
3	3104938M91	1	Bellows	(2)
4	1719896M1	21	Plug	(3)
5	3100433M1	2	Strap	(3)
6	3100437M1	1	Plate	(2)
7	3103601M91	1	Plate	(2)
8	3103602M91	1	Pad	(7)
9	3001852X1	2	Washer	(8)
10	3103603M1	2	Rivet	(8)
11	3103593M91	1	Ram	(2)
12	1719935M1	2	Pin	(11)
13		1	Ram	(11)
				Not serviced, order REF No 11
14	1442783X1	2	Circlip	(11)
15	3103595M91	1	Suspension	(2)
16	3103597M1	1	Clevis Pin	(15)
17	3103596M1	4	Bush	(15)
18	1719914M1	4	Roller	(15)
19		1	Suspension	(15)
				Not serviced, order REF No 15
20	3103598M1	1	Clevis Pin	(15)
21	1719907M1	2	Plate	(15)
22	1719923M1	1	Pin	(15)
23	1719910M1	1	Plate	(15)
24	1719911M1	2	Spring	(15)
25	3103604M91	1	Support	(1)
26	3103605M1	1	Fork	(25)
27	3103611M91	1	Plate	(25)
28	1719867M1	2	Bumper	(27)
29	1719917M1	1	Plate	(27)
30	3103612M91	1	Plate	(27)
31	338627X1	2	Rivet	(30)
32	1719902M1	1	Washer	(25)
33	1719903M1	1	Roller	(25)
34	1719891M1	1	Guide	(25)
35	1719932M1	1	Spring	(25)
36	1719920M1	1	Nut Special	(25)
37	1719922M1	1	Washer	(25)
38	1719921M1	3	Bearing	(25)
39	1719918M1	1	Fastener	(25)
40	3103606M1	1	Indicator	(25)
41	3108217M91	1	Handle	(25)
				3103607M91
42	3103609M91	1	Handle	(41)
43	1442373X1	1	Ring	(41)
44	339534X1	1	Washer Metric	(41)
45	3101488M1	1	Handle	(42)
46	3103610M1	1	Pin	(42)
47	339548X1	1	Pin	(41)
48		1	Stem	(41)
				Not serviced, order REF No 41
49	1441722X1	1	Pin	(41)
				391566X1
50	3104483M91	1	Bush	(41)
51	1719900M1	1	Anchor	(25)
52	1719931M1	2	Spring	(25)

1-AV01 - 012



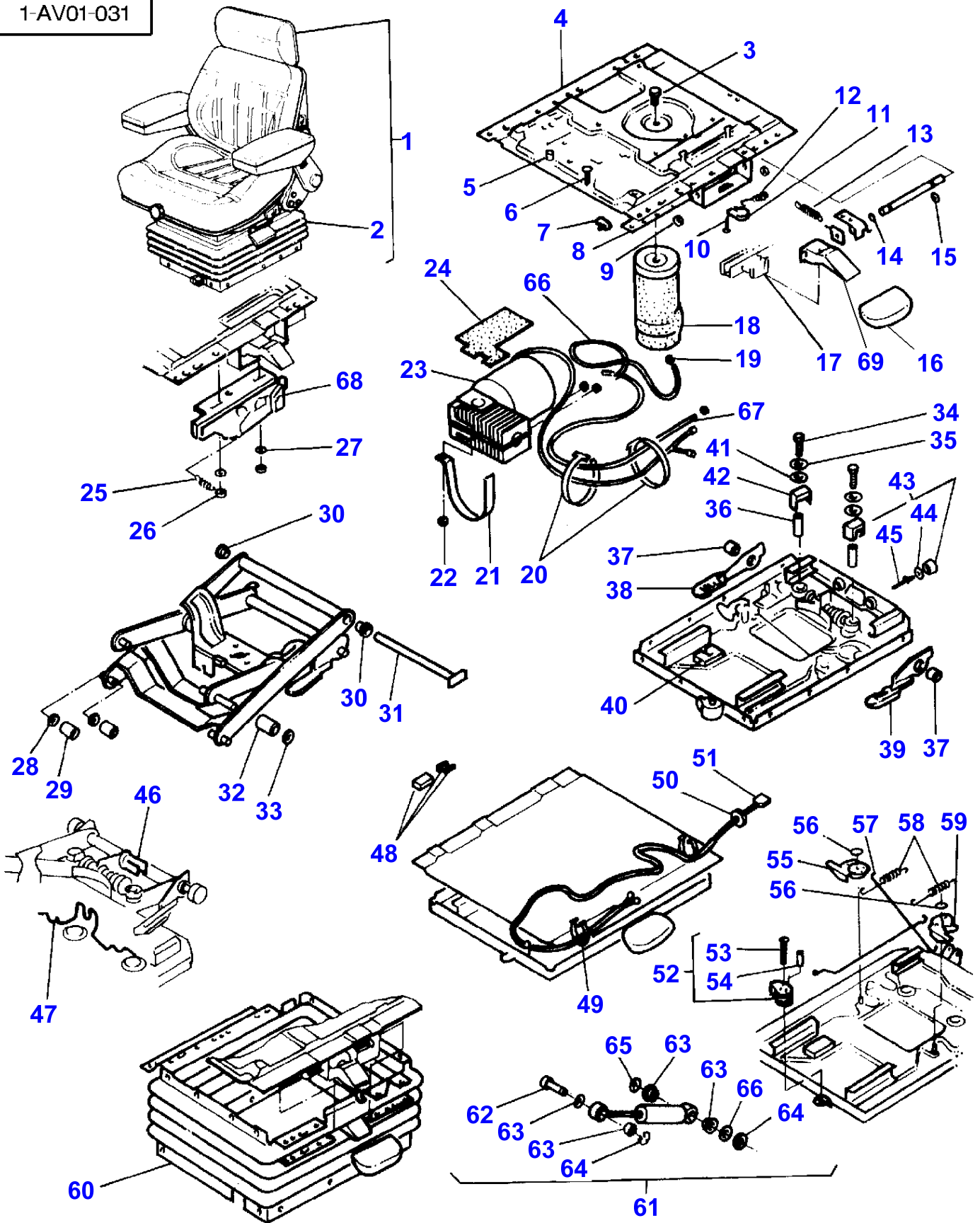
SEAT-GRAMMER - PNEUMATIC SEAT RIGID.UPPER COMPONENTS

Item	Part Number	Qty	Description	Comments
PNEUMATIC SEAT RIGID.UPPER COMPONENTS				
1	3615905M91	1	Seat	
2	3106335M91	1	Seat	(1)
3	3106358M1	1	Back Rest	(2)
4	3106357M1	1	Cushion	(3)
5	3104673M1	1	Profile	(3)
6	3106342M1	1	Profile	(3)
7	3106305M91	1	Head Rest	(3)
8	3106304M1	1	Body	(3)
9	3103464M1	1	Facing	(3)
10	3106303M1	1	Cushion	(3)
11	3101494M1	2	Bush	(3)
12	3106349M91	1	Armrest	(3)
Right Hand				
13	3106351M1	1	Armrest	(3)
14	3101493M1	1	Cap	(3)
15	3101518M1	1	Nut	(3)
16	1443512X1	1	Washer	(3)
17	3106352M1	1	Holder	(3)
18	3101655M1	1	Washer	(3)
19	1719939M1	1	Cap	(12)
20	391561X1	1	Screw Metric	(12)
21	390734X1	1	Washer Metric	(12)
23	3106353M1	1	Spring	(12)
24	3106354M1	1	Lever	(12)
25	391583X1	1	Washer	(12)
26	3000122X1	1	Nut	(12)
27	3106356M1	1	Clevis Pin	(12)
28	3106350M1	1	Plate	(12)
29	3101504M1	2	Screw	(2)
30	353563X1	1	Bolt Unf	(2)
31	3101522M1	1	Tooth Washer	(2)
32	1441461X1	1	Nut Metric	(2)
33	3105795M1	1	Cladding	(2)
Right Hand				
34	3105793M1	1	Spring	(2)
35	3105794M1	1	Distance Piece	(2)
36	3101480M1	1	Plate	(2)
37	3101510M1	1	Chock	(2)
38	3101502M1	2	Plate	(2)
39	3104669M1	2	Ring	(2)
40	3104670M1	1	Angle	(2)
41	3104671M1	1	Bearing	(2)
42	339337X1	1	Screw Metric	(2)
43	390972X1	1	Washer Metric	(2)
44	3106359M1	1	Clevis Pin	(2)
45	3104674M1	1	Disc	(2)
46	1441723X1	1	Spirol Pin	(2)
47	1441723X1	1	Spirol Pin	(2)
48	3104674M1	1	Disc	(2)
49	3106359M1	1	Clevis Pin	(2)
50	3106343M1	1	Back Rest	(2)
51	339337X1	1	Screw Metric	(2)
52	390972X1	1	Washer Metric	(2)
53	3105826M1	1	Angle	(2)
54	3103615M1	1	Plate	(2)
55	3106344M91	1	Armrest	(2)
Left Hand				
56	3106346M1	1	Holder	(55)
57	1443512X1	1	Washer	(55)
58	3101518M1	1	Nut	(55)
59	3101493M1	1	Cap	(55)
60	1719939M1	1	Cap	(55)
61	339475X1	1	Bolt Metric	(55)
62	390734X1	1	Washer Metric	(55)
63	3106348M1	1	Armrest	(55)
64	3106356M1	1	Clevis Pin	(55)
65	3106345M1	1	Lever	(55)
66	391583X1	1	Washer	(55)

SEAT-GRAMMER - PNEUMATIC SEAT RIGID.UPPER COMPONENTS

Item	Part Number	Qty	Description	Comments
67	3000122X1	1	Nut	(55)
68	3106353M1	1	Spring	(55)
69	3106347M1	1	Plate	(55)
70	353563X1	1	Bolt Unf	(2)
71	3101522M1	1	Tooth Washer	(2)
72	3101504M1	2	Screw	(2)
73	3101655M1	1	Washer	(2)
74	1441461X1	1	Nut Metric	(2)
75	3105802M1	1	Cladding	(2)
				Left Hand
76	3105809M1	1	Distance Piece	(2)
77	3105796M1	1	Distance Piece	(2)
78	3105788M1	1	Excluder	(2)
79	3008285X1	1	Roll Pin	(2)
80	3105801M1	1	Holder	(2)
81	3105800M1	1	Lever	(2)
82	3105797M1	1	Spring	(2)
83	3106340M1	1	Handle	(2)
84	3105798M1	1	Plate	(2)
85	3105799M1	1	Bush	(2)
86	3101480M1	1	Plate	(2)
87	339169X1	1	Nut Metric	(2)
88	3106338M1	1	Handle	(2)
89	3104909M1	1	Slipper	(2)
90	339169X1	4	Nut Metric	(2)
91	391148X1	4	Screw Metric	(2)
92	3106339M1	2	Bush	(2)
93	3106337M1	2	Bush	(2)
94	3104908M1	1	Slipper	(2)

1-AV01-031



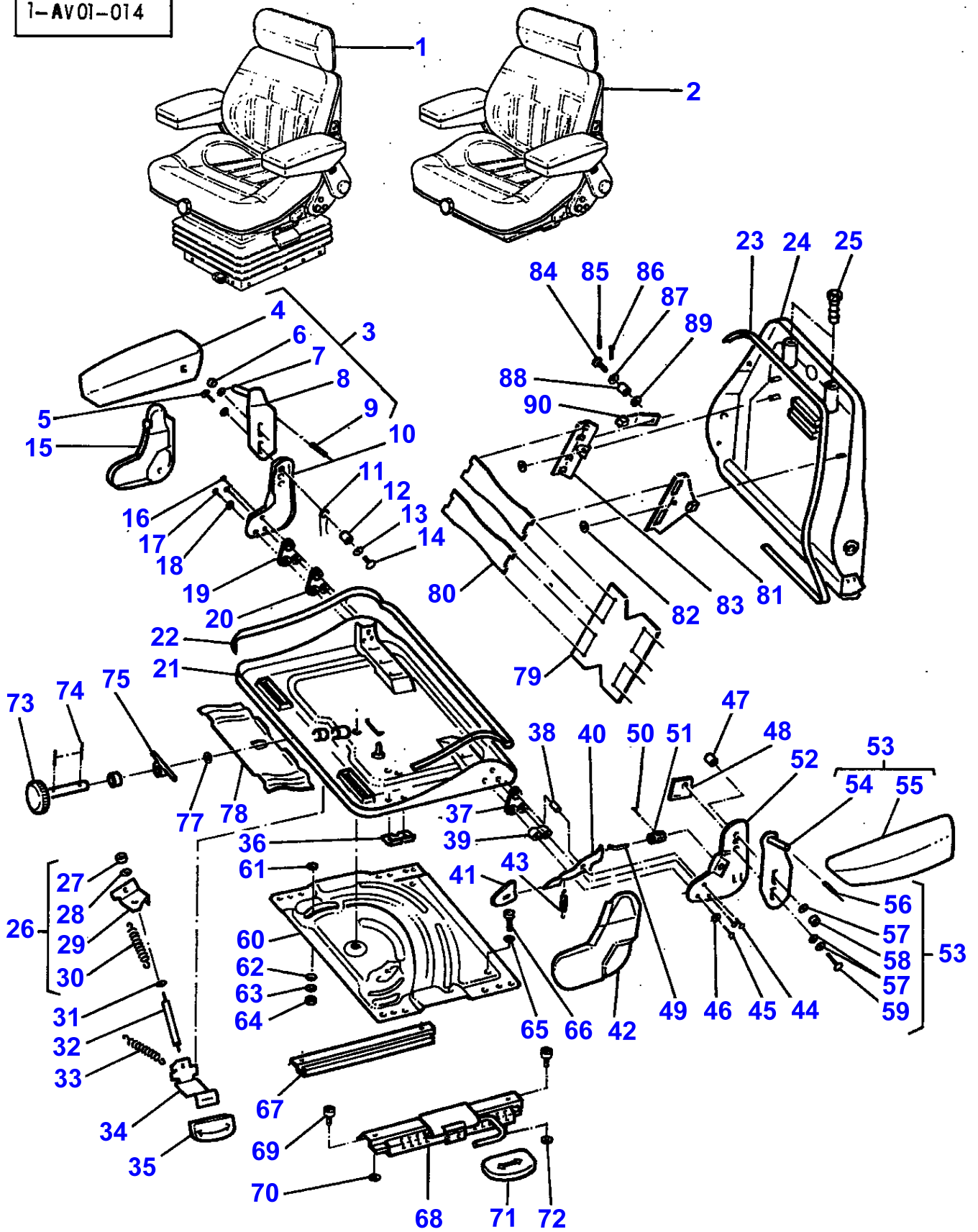
SEAT-GRAMMER - PNEUMATIC SEAT RIGID.SUSPENSION

Item	Part Number	Qty	Description	Comments
PNEUMATIC SEAT RIGID.SUSPENSION				
1	3615905M91	1	Seat	
2	3106368M91	1	Suspension	(1)
3	3105502M91	1	Parts Pack	(2)
4	3106360M1	1	Handle	(3)
5	3105384M1	1	Cable Clamp	(3)
6	3105386M1	1	Spring	(3)
7	3106364M91	1	Kit	(2)
8	3105397M1	5	Cable Clamp	(7)
9	3103598M1	1	Clevis Pin	(7)
10	3107699M91	1	Excluder	(2)
3106361M91				
11	1719896M1	X	Plug	(10)
12	3105390M1	1	Spring	(10)
13	3105389M1	1	Excluder	(10)
14	1440988X1	2	Clip	(10)
15	3105393M1	1	Washer	(10)
16	3103288M1	1	Rivet	(10)
17	3105386M1	1	Spring	(10)
18	1440988X1	1	Clip	(10)
19	3105388M1	1	Bush	(10)
20	3106359M91	1	Support	(2)
21	3105425M91	1	Spring Housing	(20)
22	3105384M1	2	Cable Clamp	(21)
23	3105397M1	2	Cable Clamp	(21)
24	3105423M1	1	Slat	(20)
25	390972X1	1	Washer Metric	(20)
26	1440085X1	1	Nut Metric	(20)
27	3106365M91	1	Kit	(2)
28	3105412M91	1	Rocker	(27)
29	3105410M1	1	Buffer	(28)
30	1440474X1	1	Circlip	(28)
31	3105409M91	1	Buffer	(27)
32	3103289M1	1	Rivet	(31)
33	3001852X1	1	Washer	(31)
34	391565X1	1	Washer Metric	(27)
35	3105401M1	1	Bush	(27)
36	3105401M1	1	Bush	(27)
37	391565X1	1	Washer Metric	(27)
38	1442783X1	1	Circlip	(27)
39	3105783M91	1	Spring Housing	(2)
40	3105407M91	1	Spring Housing	(39)
41	3105408M91	1	Buffer	(40)
42	3189405M1	1	Rivet	(41)
43	3105409M91	1	Buffer	(40)
44	3001852X1	1	Washer	(43)
45	3103289M1	1	Rivet	(43)
46	3105406M1	1	Lever	(39)
Right Hand				
47	3105405M1	1	Lever	(39)
Left Hand				
48	3106369M91	1	Compressor	(2)
49	1719896M1	X	Plug	(48)
50	3105383M1	1	Plate	(48)
51	3105396M1	1	Stirrup	(48)
52	1441461X1	1	Nut Metric	(48)
53	3105397M1	1	Cable Clamp	(48)
54	3105395M1	2	Hose Clip	(48)
55		1	Compressor	(48)
Not serviced, order REF NO 48				
56	3106363M91	1	Kit	(2)
57		1	Shock Absorber	(56)
Not serviced, order REF NO 56				
58	1441000X1	1	Screw Metric	(56)
59	3105395M1	1	Hose Clip	(56)
60	3107707M91	1	Pipe Pack	(2)
3106362M91				
61	3105399M1	1	Hose	(60)
62	3105395M1	1	Hose Clip	(60)

SEAT-GRAMMER - PNEUMATIC SEAT RIGID.SUSPENSION

Item	Part Number	Qty	Description	Comments
63	3105398M1	1	Hose	(60)
64	3105394M91	1	Shock Absorber	(2)
65	1719935M1	1	Pin	(64)
66	1442783X1	1	Circlip	(64)
67	1440085X1	1	Nut Metric	(64)
68	390971X1	1	Washer Metric	(64)
69	390972X1	1	Washer Metric	(64)
70	3105097M1	1	Cable	(2)
71	3106366M91	1	Cable	(2)
72	3105419M1	1	Cable Sleeve	(71)
73	3105420M1	1	Bush	(71)
74	3106367M91	1	Bellows	(2)
75	3100433M1	1	Strap	(74)
76	1719896M1	X	Plug	(74)
77	3105422M1	1	Slat	(74)
78	3103289M1	1	Rivet	(74)
79	3105785M91	1	Positioner	(2)
80	3105397M1	1	Cable Clamp	(79)
81	3105404M1	2	Tube	(79)
82	3105782M91	1	Spring	(2)
83	3105424M91	1	Shock Absorber	(82)
84	3105402M1	1	Parts Pack	(82)
85	3105400M1	2	Buffer	(84)
86	3102265M1	2	Washer	(82)
87	390972X1	2	Washer Metric	(82)
88	339287X1	2	Screw Metric	(82)
89	3105403M1	1	Hook	(82)
90	3105781M91	1	Control Lock	(2)
91	3105413M91	1	Grip	(90)
92	3004550X1	1	Screw Metric	(91)
93	1444438X1	1	Roll Pin	(91)
94	3105416M1	1	Hook	(90)
95	3105414M1	1	Hook	(90)
96	3105415M1	1	Lever	(90)
97	3105385M1	1	Circlip	(90)
98	1719911M1	2	Spring	(90)
99	3105417M1	1	Lever	(90)
100	3107277M91	1	Kit, Lever	(2)

1-AV01-014

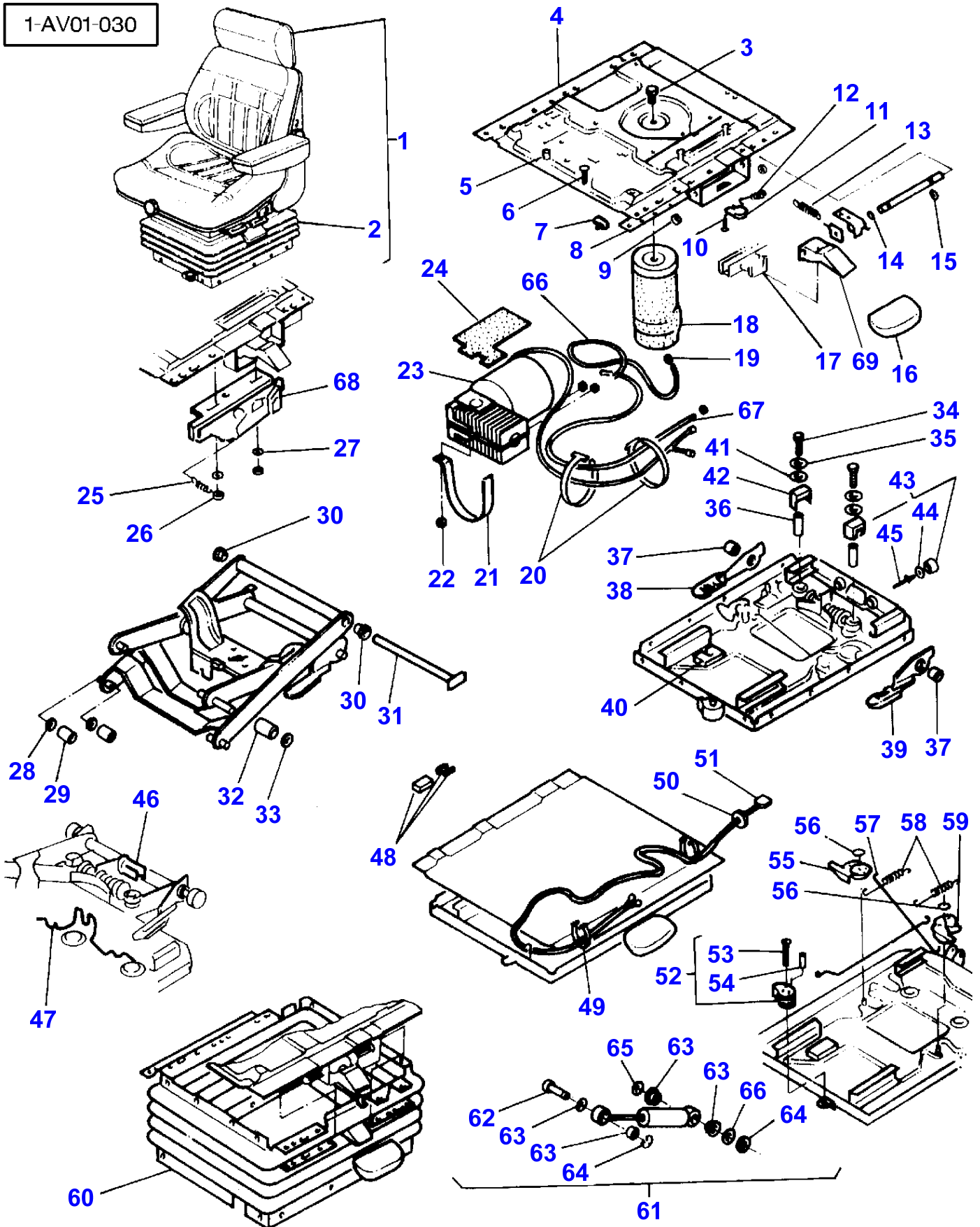


Item	Part Number	Qty	Description	Comments
TURNING AIR PRESSURE.UPPER COMPONENTS				
1	3615906M91	1	Seat	
2	3106500M91	1	Seat	(1)
3	3105303M1	1	Armrest	(2)
				Right Hand
4	3106286M1	1	Armrest	(3)
5	3101996M1	1	Screw Special	(3)
6	1441461X1	1	Nut Metric	(3)
7	390972X1	2	Washer Metric	(3)
8	3105807M1	1	Holder	(3)
9	3102001M1	1	Screw Special	(3)
10	3105795M1	1	Cladding	(2)
11	3105793M1	1	Spring	(2)
12	3105794M1	1	Distance Piece	(2)
13	390972X1	1	Washer Metric	(2)
14	339287X1	1	Screw Metric	(2)
15	3105790M1	1	Cladding	(2)
16	3103461M1	2	Screw	(2)
17	353561X1	1	Screw Unf	(2)
18	3101522M1	1	Tooth Washer	(2)
19	3101480M1	1	Plate	(2)
20	3101510M1	1	Chock	(2)
21	3105805M1	1	Seat Plate	(2)
22	3103619M1	1	Gasket	(2)
23	3102293M1	1	Profile	(2)
24	3105808M1	1	Back Rest	(2)
25	3101494M1	2	Bush	(2)
26	3104914M91	1	Pivot Plate	(2)
27	1441461X1	1	Nut Metric	(26)
28	390972X1	1	Washer Metric	(26)
29	3105804M1	1	Lever	(26)
30	3104902M1	1	Spring	(26)
31	3001852X1	1	Washer	(2)
32	3105825M1	1	Stem	(2)
33	3104905M1	1	Spring	(2)
34	3105803M1	1	Lever	(2)
35	3104906M1	1	Handle	(2)
36	3104907M1	1	Catch	(2)
37	3101480M1	1	Plate	(2)
38	3105799M1	1	Bush	(2)
39	3105798M1	1	Plate	(2)
40	3105800M1	1	Lever	(2)
41	3105792M1	1	Grip	(2)
42	3105791M1	1	Cladding	(2)
43	3105797M1	1	Spring	(2)
44	3103461M1	2	Screw	(2)
45	353561X1	1	Screw Unf	(2)
46	3101522M1	1	Tooth Washer	(2)
47	3105796M1	1	Distance Piece	(2)
48	3105809M1	1	Distance Piece	(2)
49	3105801M1	1	Holder	(2)
50	3008285X1	1	Roll Pin	(2)
51	3105788M1	1	Excluder	(2)
52	3105802M1	1	Cladding	(2)
53	3105762M91	1	Armrest	(2)
				Left Hand
54	3105806M1	1	Holder	(53)
55	3103589M91	1	Armrest	(53)
56	3102001M1	1	Screw Special	(53)
57	390972X1	3	Washer Metric	(53)
58	1441461X1	1	Nut Metric	(53)
59	3101996M1	1	Screw Special	(53)
60	3104900M1	1	Pivot Plate	(2)
61	3102265M1	4	Washer	(2)
62	3104901M1	4	Washer	(2)
63	391039X1	4	Washer Metric	(2)
64	1441461X1	4	Nut Metric	(2)
65	3001414X1	4	Screw Metric	(2)
66	3105789M1	2	Disc	(2)

SEAT-GRAMMER - TURNING AIR PRESSURE.UPPER COMPONENTS

Item	Part Number	Qty	Description	Comments
67	3104908M1	1	Slipper	(2) Right Hand
68	3104909M1	1	Slipper	(2) Left Hand
69	391148X1	4	Screw Metric	(2)
70	339169X1	4	Nut Metric	(2)
71	3104903M1	1	Handle	(2)
72	339169X1	1	Nut Metric	(2)
73	3104689M1	1	Spindle Adjust	(2)
74	3009322X1	2	Spirol Pin	(2)
75	3104681M1	1	Pin	(2)
76	3104668M1	1	Tube	(2)
77	391583X1	3	Washer	(2)
78	3101463M1	1	Pivot Plate	(2)
79	3103615M1	1	Plate	(2)
80	3105823M1	2	Plate	(2)
81	3105826M1	1	Angle	(2)
82	3104669M1	2	Ring	(2)
83	3104670M1	1	Angle	(2)
84	3104690M1	2	Spindle Adjust	(2)
85	1441723X1	2	Spirol Pin	(2)
86	1441482X1	2	Pin	(2)
87	3104674M1	2	Disc	(2)
88	3105824M1	2	Distance Piece	(2)
89	391565X1	2	Washer Metric	(2)
90	3104671M1	1	Bearing	(2)

1-AV01-030



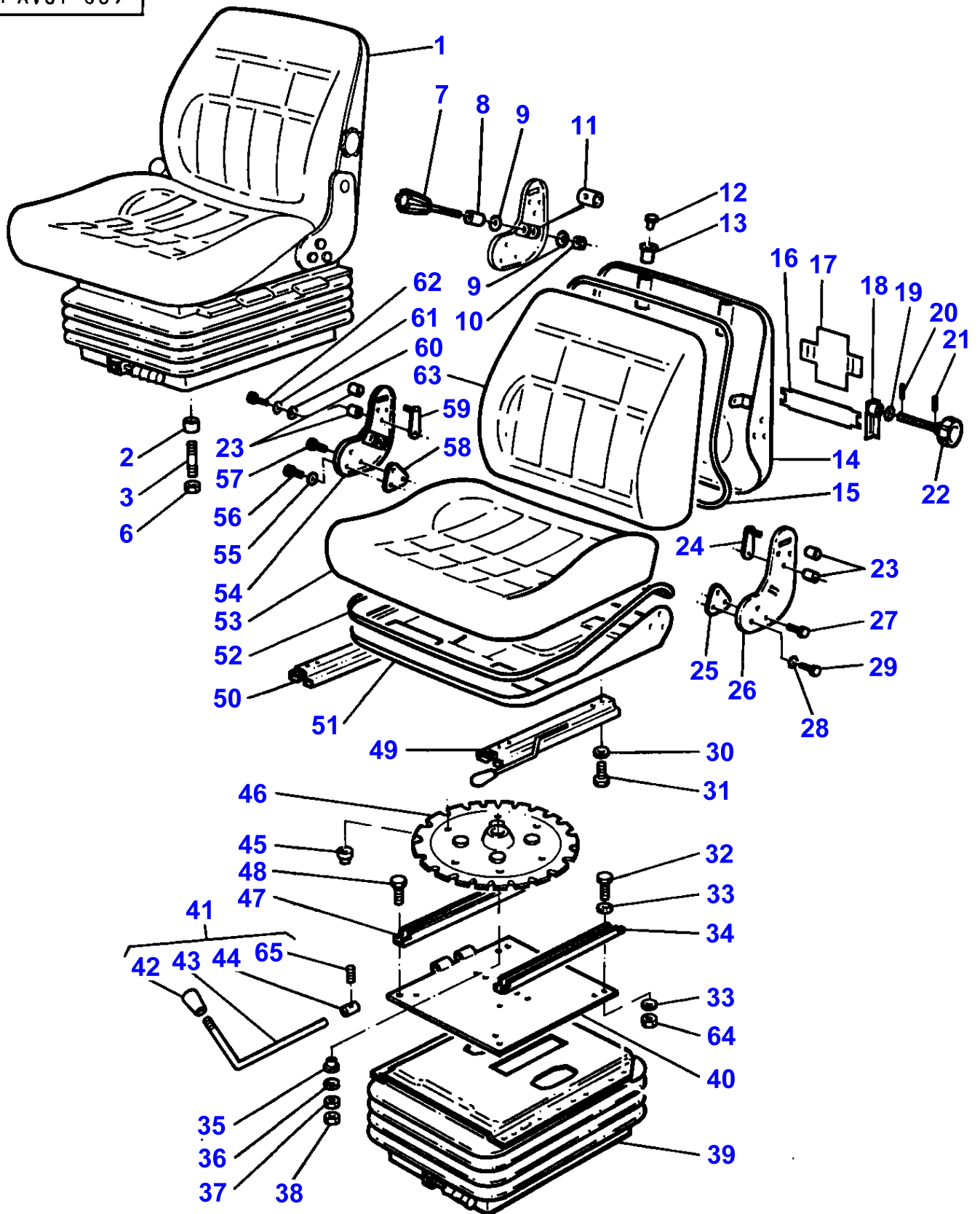
SEAT-GRAMMER - TURNING AIR PRESSURE.SUSPENSION

Item	Part Number	Qty	Description	Comments
				TURNING AIR PRESSURE.SUSPENSION
1	3615906M91	1	Seat	
2	3108139M1	1		(1)
3	1441000X1	1	Screw Metric	(2)
4	3100433M1	1	Strap	(2)
5	3105425M91	1	Spring Housing	(2)
6	1719896M1	14	Plug	(2)
7	3105384M1	4	Cable Clamp	(2)
8	3105422M1	1	Slat	(2)
9	3105388M1	2	Bush	(2)
10	3105386M1	1	Spring	(2)
11	3105389M1	1	Excluder	(2)
12	3105390M1	1	Spring	(2)
13	3105391M1	1	Spring	(2)
14	3105393M1	1	Washer	(2)
15	1440988X1	2	Clip	(2)
16	3105387M1	1	Grip	(2)
17	3105386M1	1	Spring	(2)
18		1	Ram	(2)
				Not serviced, order 3105052M91
19	3105395M1	4	Hose Clip	(2)
20	3105397M1	X	Cable Clamp	(2)
21	3105396M1	1	Stirrup	(2)
22	1441461X1	1	Nut Metric	(2)
23		1	Compressor	(2)
				Not serviced, order 3104801M91
24	3105383M1	1	Plate	(2)
25	3105386M1	1	Spring	(2)
26	1440085X1	2	Nut Metric	(2)
27	390972X1	2	Washer Metric	(2)
28	3105381M1	4	Ring	(2)
29	3105382M1	5	Bearing Needle	(2)
30	3105046M1	2	Bush	(2)
31	3103598M1	1	Clevis Pin	(2)
32	3105410M1	1	Buffer	(2)
33	1440474X1	1	Circlip	(2)
34	339287X1	2	Screw Metric	(2)
35	390972X1	2	Washer Metric	(2)
36	3105404M1	2	Tube	(2)
37	3105382M1	6	Bearing Needle	(2)
38	3105406M1	1	Lever	(2)
39	3105405M1	1	Lever	(2)
40	3105408M91	1	Buffer	(2)
41	3102265M1	2	Washer	(2)
42	3105400M1	2	Buffer	(2)
43	3105409M91	2	Buffer	(2)
44	3001852X1	2	Washer	(43)
45	3103289M1	2	Rivet	(43)
46	3105402M1	1	Parts Pack	(2)
47	3105403M1	1	Hook	(2)
48	3105097M1	1	Cable	(2)
49	3105397M1	X	Cable Clamp	(2)
50	3105419M1	1	Cable Sleeve	(2)
51	3105420M1	1	Bush	(2)
52	3105413M91	1	Grip	(2)
53	3004550X1	1	Screw Metric	(52)
54	1444438X1	1	Roll Pin	(52)
55	3105415M1	1	Lever	(2)
56	3105385M1	4	Circlip	(2)
57	3105414M1	1	Hook	(2)
58	1719911M1	2	Spring	(2)
59	3105417M1	1	Lever	(2)
60	3105421M91	1	Bellows	(2)
61	3105424M91	1	Shock Absorber	(2)
62	1719935M1	2	Pin	(61)
63	3105401M1	4	Bush	(61)
64	1442783X1	3	Circlip	(61)
65	391565X1	2	Washer Metric	(61)
66	3105398M1	1	Hose	(2)

MASSEY FERGUSON**MF 3690 TRACTOR - 1637223****1637223****SEAT-GRAMMER - TURNING AIR PRESSURE.SUSPENSION****452**

Item	Part Number	Qty	Description	Comments
67	3105399M1	1	Hose	(2)
68		1	Switch	Not serviced, order 3105502M91
69	3107277M91	1	Kit, Lever	(2)

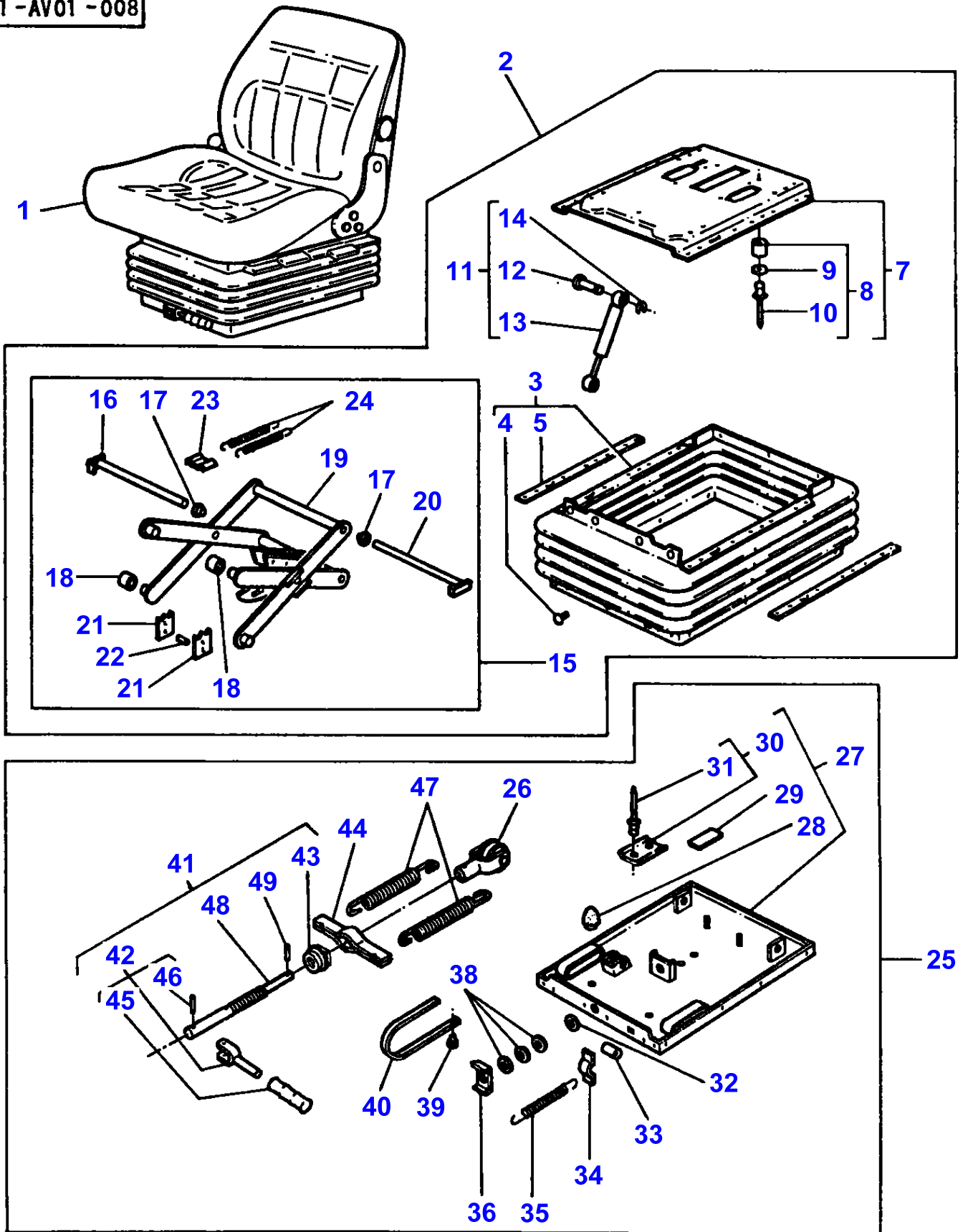
1-AV01-009



SEAT-GRAMMER - FORESTRY CAB

Item	Part Number	Qty	Description	Comments
FORESTRY CAB				
1	3583692M4	1	Seat	DS 85H/90
2	3615567M1	4	Spacer	
3	3019063X1	4	Stud	M8X30
6	339169X1	4	Nut Metric	
7	3101514M1	1	Adjuster	(1)
8	3101496M1	1	Tube	(1)
9	390734X1	2	Washer Metric	(1)
10	390881X1	1	Nut Metric	(1)
11	3101495M1	1	Nut Special	(1)
12	3101653M1	2	Cap	(1)
13	3101494M1	2	Bush	(1)
14	3103617M91	1	Back Rest	(1)
15	3102293M1	1	Profile	(1)
16	3101502M1	1	Plate	(1)
17	3103615M1	1	Plate	(1)
18	3101503M1	1	Angle	(1)
19	391583X1	1	Washer	(1)
20	1440910X1	1	Pin	(1)
21	1441723X1	1	Spirol Pin	(1)
22	3103616M1	1	Adjuster	(1)
23	3101509M1	4	Tube	(1)
24	3101508M1	1	Spacer	(1)
25	3101510M1	1	Chock	(1)
26	3101507M1	1	Strap	(1)
27	3101656M1	4	Screw Special	(1)
28	3101522M1	2	Tooth Washer	(1)
29	361526X1	2	Screw	(1)
30	391565X1	4	Washer Metric	(1)
31	1441000X1	4	Screw Metric	(1)
32	391148X1	2	Screw Metric	(1)
33	3104667M1	4	Disc	(1)
34	3104692M1	1	Rail	(1)
35	3106058M1	1	Bush	(1)
36	3106044M1	1	Washer	(1)
37	3106055M1	1	Nut	(1)
38	3106054M1	1	Nut	(1)
39		1	Suspension	(1)
See Page - Reference Number 454/				
40	3106050M1	1	Plate	(1)
41	3106046M1	1	Lever	(1)
42		1	Handle	(41)
Not serviced, order REP 41				
43		1	Stem	(41)
Not serviced, order REP 41				
44		1	Bush	(41)
Not serviced, order REP 41				
45	3106049M1	6	Bush	(1)
46	3106045M1	1	Plate	(1)
48	391148X1	2	Screw Metric	(1)
49	3104693M1	1	Rail	(1)
50	3104406M1	1	Slide	(1)
52	3103619M1	1	Gasket	(1)
53	3104941M1	1	Cushion	(1)
3105009M1				
54	3101515M1	1	Strap	(1)
55	3101522M1	2	Tooth Washer	(1)
56	361526X1	1	Screw	(1)
57	3101656M1	4	Screw Special	(1)
58	3101510M1	1	Chock	(1)
59	3101511M1	1	Spacer	(1)
60	3101663M1	4	Washer	(1)
61	390972X1	2	Washer Metric	(1)
62	339337X1	4	Screw Metric	(1)
63	3104940M1	1	Back Rest	(1)
64	339169X1	4	Nut Metric	(1)
65		1	Pin	(41)
Not serviced, order REP 41				

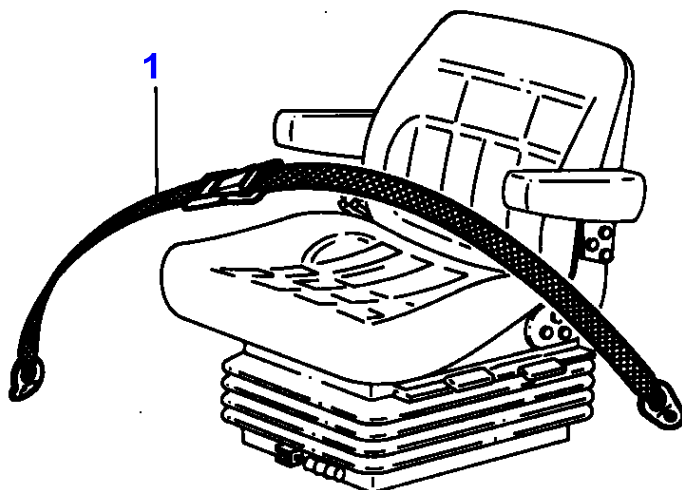
1-AV01-008



SEAT-GRAMMER - FORESTRY CAB

Item	Part Number	Qty	Description	Comments
				FORESTRY CAB
1	3583692M4	1	Seat	DS85H/90
2	3106056M91	1	Suspension	(1)
3	3104938M91	1	Bellows	(2)
4	1719896M1	21	Plug	(3)
5	3100433M1	2	Strap	(3)
7	3103601M91	1	Plate	(2)
8	3103602M91	1	Pad	(7)
9	3001852X1	2	Washer	(8)
10	3103603M1	2	Rivet	(8)
11	3103593M91	1	Ram	(2)
12	1719935M1	2	Pin	(11)
13		1	Ram	(11)
				Not serviced, order REF No 11
14	1442783X1	2	Circlip	(11)
15	3103595M91	1	Suspension	(2)
16	3103597M1	1	Clevis Pin	(15)
17	3103596M1	4	Bush	(15)
18	1719914M1	4	Roller	(15)
19		1	Suspension	(15)
				Not serviced, order REF No 15
20	3103598M1	1	Clevis Pin	(15)
21	1719907M1	2	Plate	(15)
22	1719923M1	1	Pin	(15)
23	1719910M1	1	Plate	(15)
24	1719911M1	2	Spring	(15)
25	3103604M91	1	Support	(1)
26	3103605M1	1	Fork	(25)
27	3103611M91	1	Plate	(25)
28	1719867M1	2	Bumper	(27)
29	1719917M1	1	Plate	(27)
30	3103612M91	1	Plate	(27)
31	338627X1	2	Rivet	(30)
32	1719902M1	1	Washer	(25)
33	1719903M1	1	Roller	(25)
34	1719891M1	1	Guide	(25)
35	1719932M1	1	Spring	(25)
36	1719920M1	1	Nut Special	(25)
38	1719921M1	3	Bearing	(25)
39	1719918M1	1	Fastener	(25)
40	3103606M1	1	Indicator	(25)
41	3108217M91	1	Handle	(25)
				3103607M91
42	3103609M91	1	Handle	(41)
43	3104483M91	1	Bush	(41)
44	1719900M1	1	Anchor	(25)
45	3101488M1	1	Handle	(42)
46	3103610M1	1	Pin	(42)
47	1719931M1	2	Spring	(25)
48		1	Stem	(41)
				Not serviced, order REF No 41
49	1441722X1	1	Pin	(41)
				391566X1

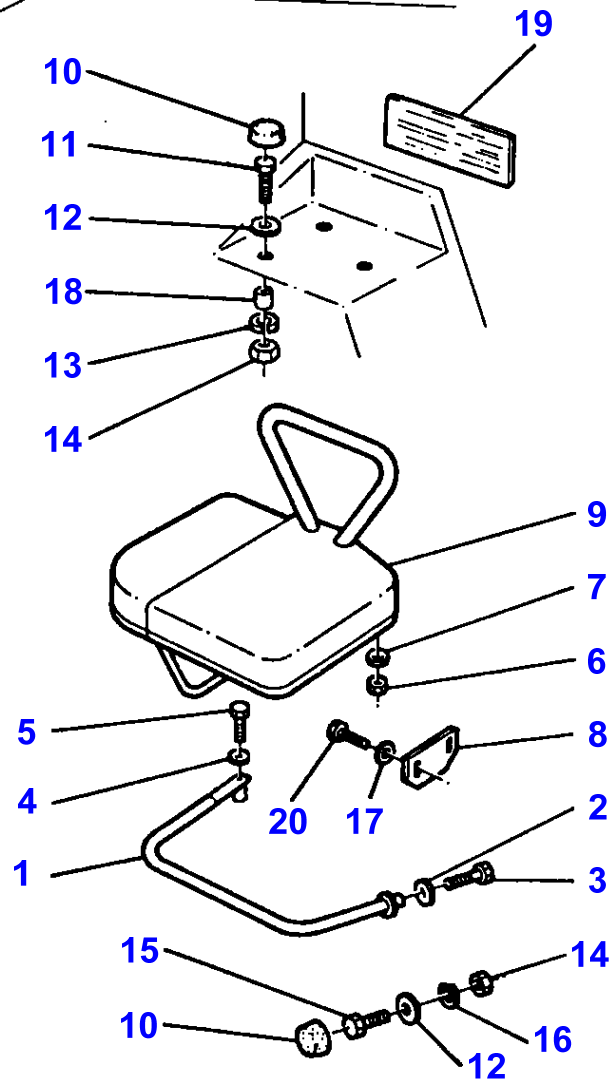
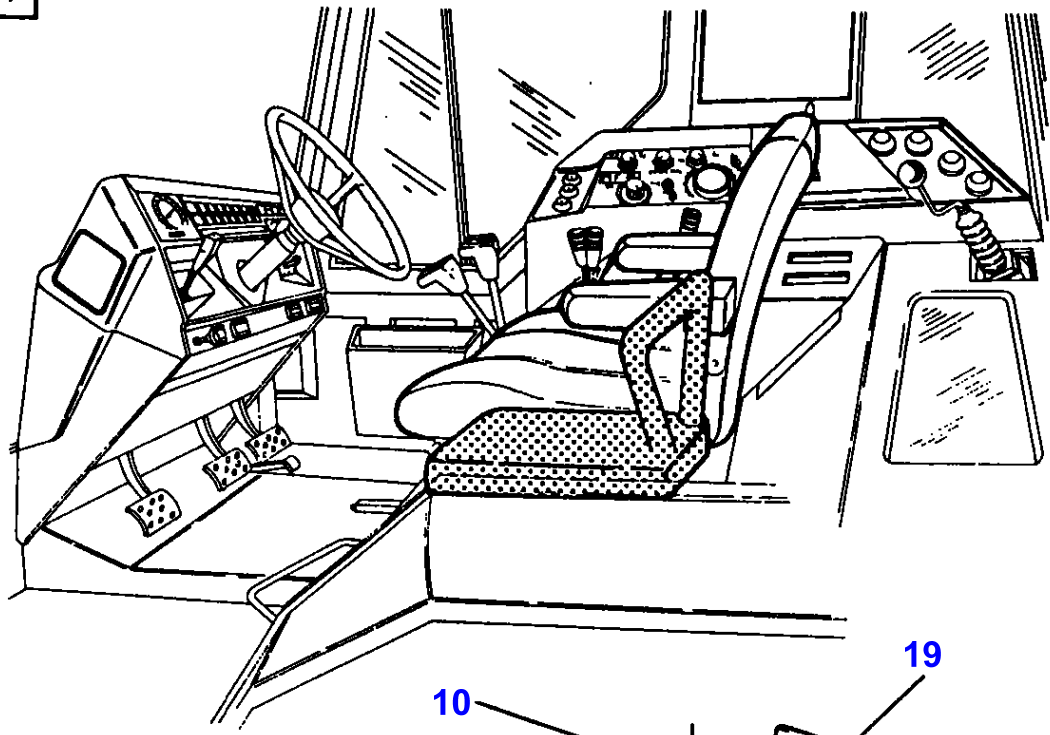
1-AZ02-001



MASSEY FERGUSON**MF 3690 TRACTOR - 1637223****1637223****SEAT BELT****455**

Item	Part Number	Qty	Description	Comments
1	3772121M91	1	Safety Belt	Repairs and replaces 3039937M91

1-1834-304



SECONDARY SEAT

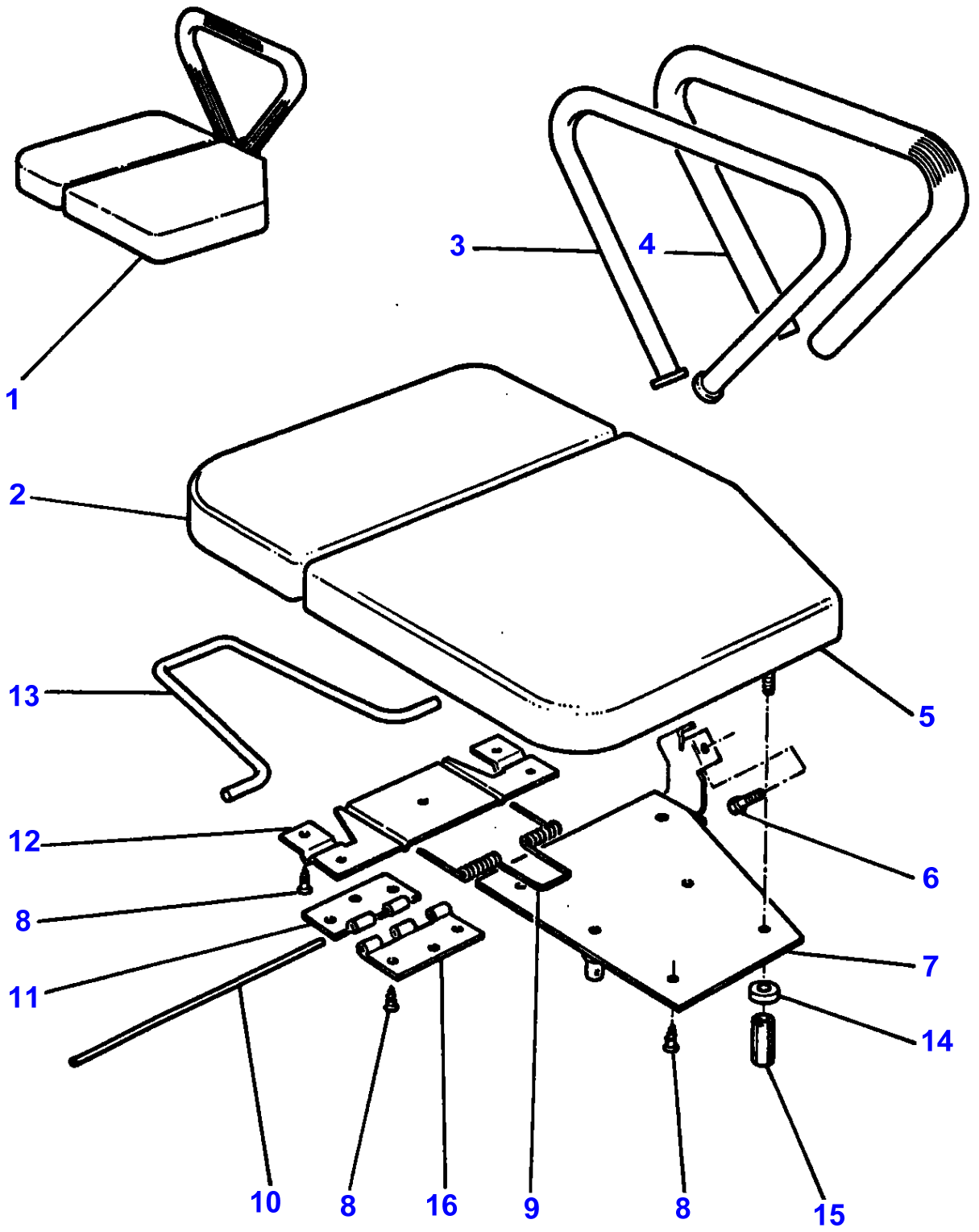
Item	Part Number	Qty	Description	Comments
1	3385326M92	1	Foot Rest	
	3615885M91	1	Foot Rest	[C] Up to Serial or Engine Number 07/94
2	339374X1	1	Lock Washer	
3	339009X1	1	Bolt Metric	
4	339374X1	1	Lock Washer	
5	339011X1	1	Bolt Metric	
6	339169X1	3	Nut Metric	
7	339374X1	3	Lock Washer	
8	3385324M1	1	Buffer	
9		1	Seat	(1) See Page - Reference Number 457/
10	3616277M1	4	Muff	[A] Repairs and replaces 1427090M1
11	391176X1	1	Screw Metric	[A]
12	390972X1	1	Washer Metric	[A]
	391039X1	3	Washer Metric	[A] 8-24 X 2 Up to Serial or Engine Number 04/94
12	3010467X1	3	Washer	[A] 9-30 X 2 From Serial or Engine Number 04/94
13	339374X1	4	Lock Washer	[A]
14	339169X1	4	Nut Metric	[A]
15	339011X1	4	Bolt Metric	[A]
16	339374X1	2	Lock Washer	
17	390971X1	2	Washer Metric	
18	3389368M1	3	Spacer	[A]
19	1617728M1	1	Decal	[A]
20	339560X1	2	Screw Metric	M6X16

[A]
WITHOUT-SECONDARY SEAT

[B]
NOT USED

[C]
AUSTRIA

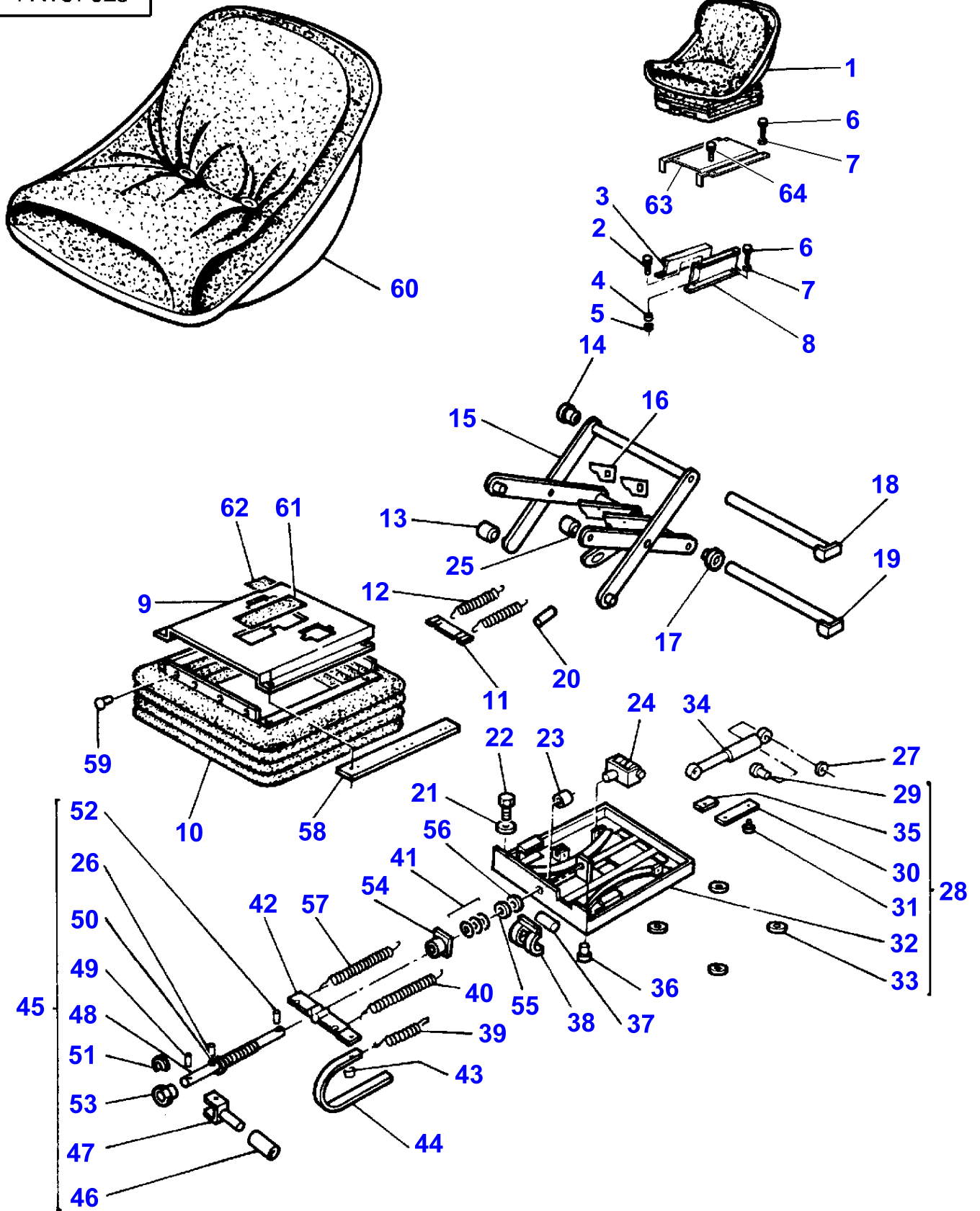
1-AV03-006



SECONDARY SEAT

Item	Part Number	Qty	Description	Comments
1	3385323M92	1	Seat	
2	3385354M92	1	Cushion	(1)
3	3580265M91	1	Back Rest	(1)
4	3580255M1	1	Sheath	(1)
5	3385353M92	1	Cushion	(1)
6	339124X1	2	Screw Metric	(1)
7	3580251M2	1	Plate	(1)
8	3388923M1	20	Screw Special	(1)
9	3385335M1	1	Spring	(1)
10	3385356M1	1	Clevis Pin	(1)
11	3385460M1	2	Hinge	(1)
12	3385334M1	1	Plate	(1)
13	3385333M1	1	Stand	(1)
14	3580252M1	3	Spacer	(1)
15	3581063M1	3	Nut	(1)
16	3385461M1	2	Hinge	(1)

1-AV01-029



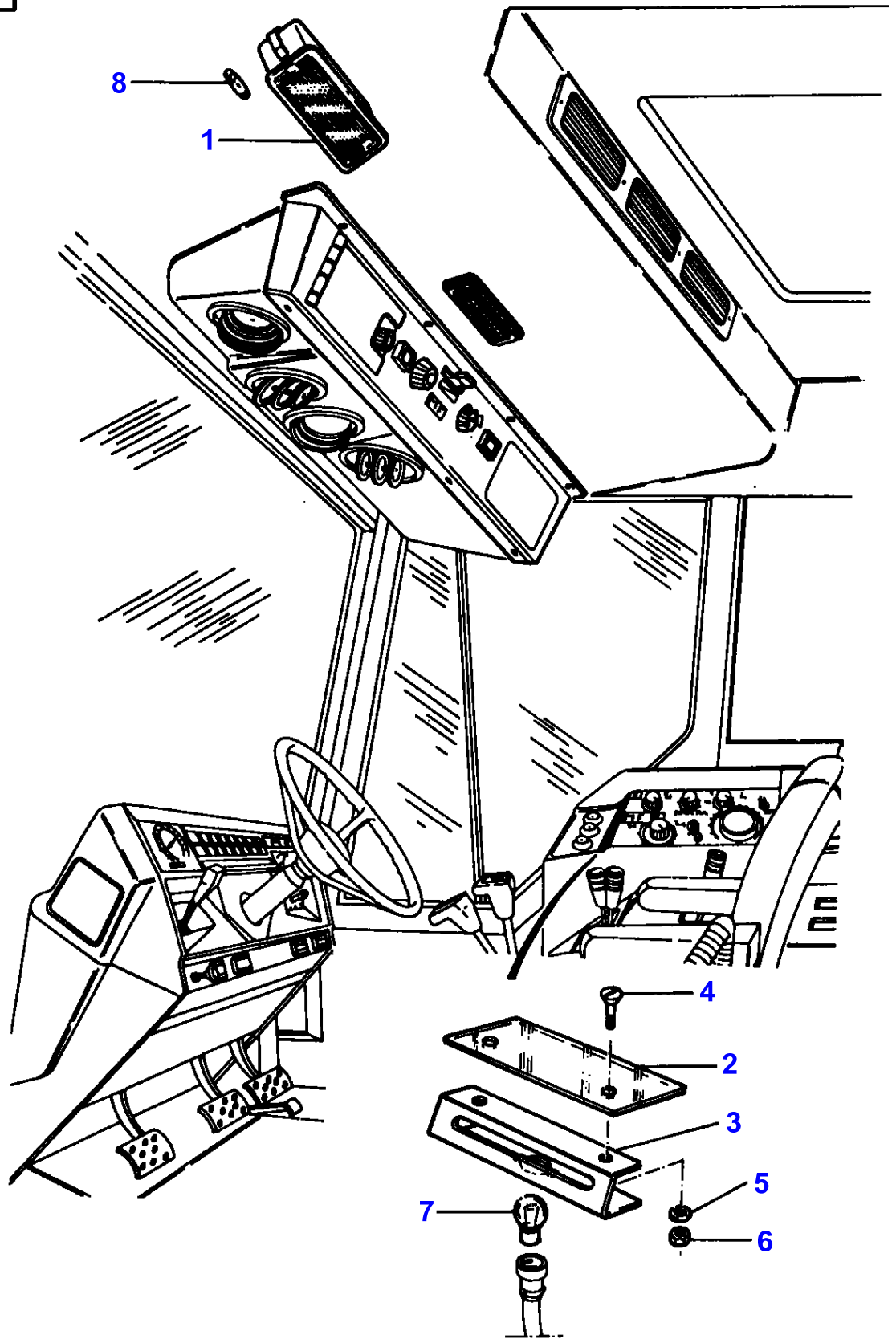
SEAT-GRAMMER - PLATFORM

Item	Part Number	Qty	Description	Comments
				PLATFORM
1	3615627M1	1	Seat	
2	339123X1	4	Screw Metric	Up to Serial or Engine Number B007013
3	3387169M3	1	Support	Right Hand Up to Serial or Engine Number B007013
4	339374X1	4	Lock Washer	
5	339169X1	4	Nut Metric	
6	339124X1	4	Screw Metric	
7	339374X1	4	Lock Washer	
8	3387170M3	1	Support	Left Hand Up to Serial or Engine Number B007013
9	1719936M1	1	Cover	(1)
10	3102309M1	1	Gaiter	(1)
11	1719910M1	1	Plate	(1)
12	1719911M1	2	Spring	(1)
13	1719914M1	2	Roller	(1)
14	3103596M1	2	Bush	(1)
15	3103595M91	1	Suspension	(1)
16	1719907M1	2	Plate	(1)
17	3103596M1	2	Bush	(1)
18	3103598M1	1	Clevis Pin	(1)
19	3103597M1	1	Clevis Pin	(1)
20	1719923M1	1	Pin	(1)
21	353755X1	4	Washer	(1)
22	390556X1	4	Screw	(1)
23	1719901M1	1	Bush	(1)
24	3104653M91	1	Prongs	(1)
25	1719914M1	1	Roller	(1)
26	1441730X1	1	Spirol Pin	(1)
27	1442783X1	2	Circlip	(1)
28	1719937M91	1	Housing	(1)
29	1719935M1	2	Pin	(28)
30	1719919M1	1	Bar	(28)
31	338627X1	2	Rivet	(28)
32		1	Frame	(28) Not serviced, order 1719937M91
33	3002128X1	4	Washer	(28)
34	1719904M1	1	Shock Absorber	(1)
35	1719917M1	1	Plate	(28)
36	1719867M1	2	Bumper	(1)
37	1719903M1	1	Roller	(1)
38	1719891M1	1	Guide	(1)
39	1719932M1	1	Spring	(1)
40	1719931M1	1	Spring	(1)
41	1719921M1	3	Bearing	(1)
42	1719900M1	1	Anchor	(1)
43	1719918M1	1	Fastener	(1)
44	1719930M1	1	Band	(1)
45	1719899M91	1	Adjuster	(1) 3104484M91
46	3101488M1	1	Handle	(45)
47	3103609M91	1	Handle	(45)
48	1719898M1	1	Pin	(45)
49	3103610M1	1	Pin	(45)
50	339534X1	1	Washer Metric	(45)
51	1442373X1	1	Ring	(45)
52	1441722X1	1	Pin	(45) 391566X1
53	3104483M91	1	Bush	(45)
54	1719920M1	1	Nut Special	(1)
55	1719922M1	1	Washer	(1)
56	1719902M1	1	Washer	(1)
57	1719931M1	1	Spring	(1)
58	3100433M1	1	Strap	(1)
59	1719896M1	24	Plug	(1)
60	3102415M91	1	Seat Pan	(1)
61	3100437M1	1	Plate	(1)
62	3101700M1	4	Cover	(1)
63	3618606M92	1	Support	From Serial or Engine Number B007014

MASSEY FERGUSON**MF 3690 TRACTOR - 1637223****1637223****SEAT-GRAMMER - PLATFORM****458**

Item	Part Number	Qty	Description	Comments
64	339168X1	4	Bolt Metric	From Serial or Engine Number B007014

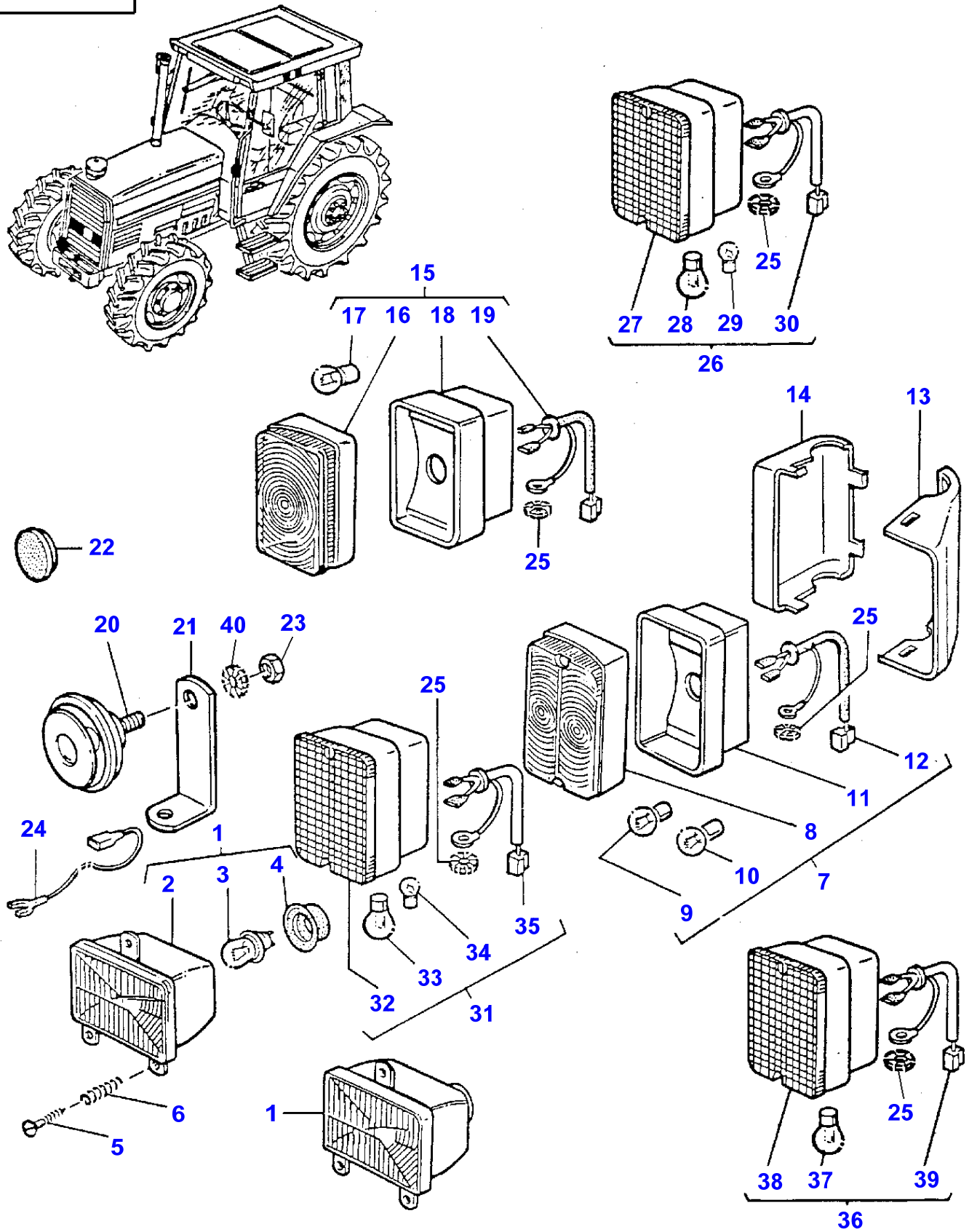
1-AU10-001



MASSEY FERGUSON**MF 3690 TRACTOR - 1637223****1637223****TRACTOR CAB-CAB LIGHTING****459**

Item	Part Number	Qty	Description
1	3385820M1	1	Roof Light
2	3387985M1	1	Diffuser
3	3387984M1	1	Support
4	3004514X1	2	Screw
5	339381X1	2	Lock Washer
6	390995X1	2	Nut Metric
7	1048302M1	1	Bulb 12v 3w
8	3385821M1	2	Bulb 12v 10w

1-AW02-012



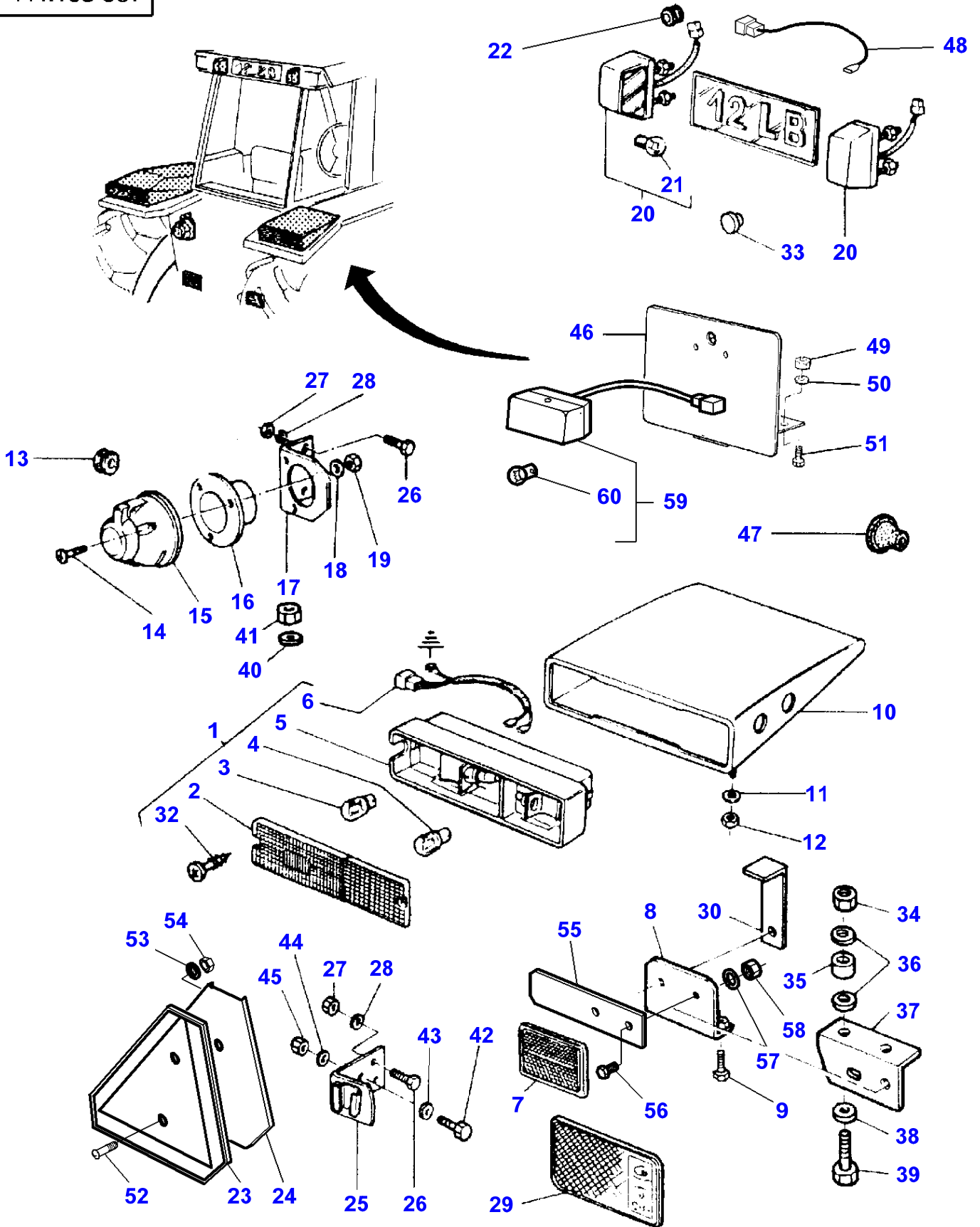
LIGHTING EQUIPMENT-FRONT

Item	Part Number	Qty	Description	Comments
1	1693945M93	2	Headlamp	[B,D]
	1693943M93	2	Headlamp	[A,C]
				Up to Serial or Engine Number B153019
1	1693944M93	2	Headlamp	[A,D]
				From Serial or Engine Number B153020
2		1	Lamp Insert	(1) Not serviced, order REF NO 1
3	965465M1	1	Bulb H/L 45/40w	[B] (1)
	961866M1	1	Bulb H/L 45/40w	[A] (1)
4	3388264M1	1	Cap	(1)
5	3388265M1	3	Screw Special	(1)
6	963441M1	3	Spring	(1)
7	3387450M91	2	Light	COBO
8	1424346M1	1	Lens	(7) Repairs and replaces 3310293M91
9	1420037M1	1	Bulb 12v 5w	(7)
10	621235M1	1	Bulb 21w Side	(7)
11		1	Case Assy	(7) Not serviced, order REF 7
12	3387452M1	1	Harness	(7)
13	3387428M1	1	Cover	Left Hand
	3387429M1	1	Cover	Right Hand
14	3388654M1	1	Cover	Left Hand
	3388653M1	1	Cover	Right Hand
15	3388713M91	2	Light	COBO Repairs and replaces 3582231M91
16	3310902M91	1	Lens	(15) For United States of America
17	621235M1	1	Bulb 21w Side	(15) For United States of America
18		1	Case Assy	(15) Not serviced, order REF 15 For United States of America
19	3388715M1	1	Harness	(15) For United States of America
20	1678404M1	1	Horn	Repairs and replaces 3580269M1
21	656632M3	1	Bracket	
22	828790M2	1	Plug	Diameter 25MM/22MM For United States of America
23	339169X1	1	Nut Metric	
24	3042257M1	1	Earth Strap	
25	1441100X1	2	Washer	
26	3582234M91	2	Light	[E]
	3582234M91	2	Light	[F] From Serial or Engine Number B291028
27	3105505M1	1	Lens	(26)
28	621235M1	1	Bulb 21w Side	(26)
29	3002706D1	1	Bulb 12v 10w	(26)
30	3582230M1	1	Harness	(26)
31	3582228M91	2	Light	SAW
	3582228M91	2	Light	[F] SAW Up to Serial or Engine Number B291027
32	3105505M1	1	Lens	(31)
33	621235M1	1	Bulb 21w Side	(31)
34	1420037M1	1	Bulb 12v 5w	(31)
35	3582230M1	1	Harness	(31)
36		2	Light	SAW Not serviced, order REP 15 For United States of America
37	3105506M1	1	Lens	(36) For United States of America
38	621235M1	1	Bulb 21w Side	(36) For United States of America
39	3388715M1	1	Harness	(36) For United States of America
40	339374X1	1	Lock Washer	Diameter 8MM

[A]
 WHITE BULB

Item	Part Number	Qty	Description	Comments
				[B] YELLOW BULB
				[C] FOR L.H DRIVING
				[D] FOR R.H DRIVING
				[E] FINLAND
				[F] AUSTRIA

1-AW03-061



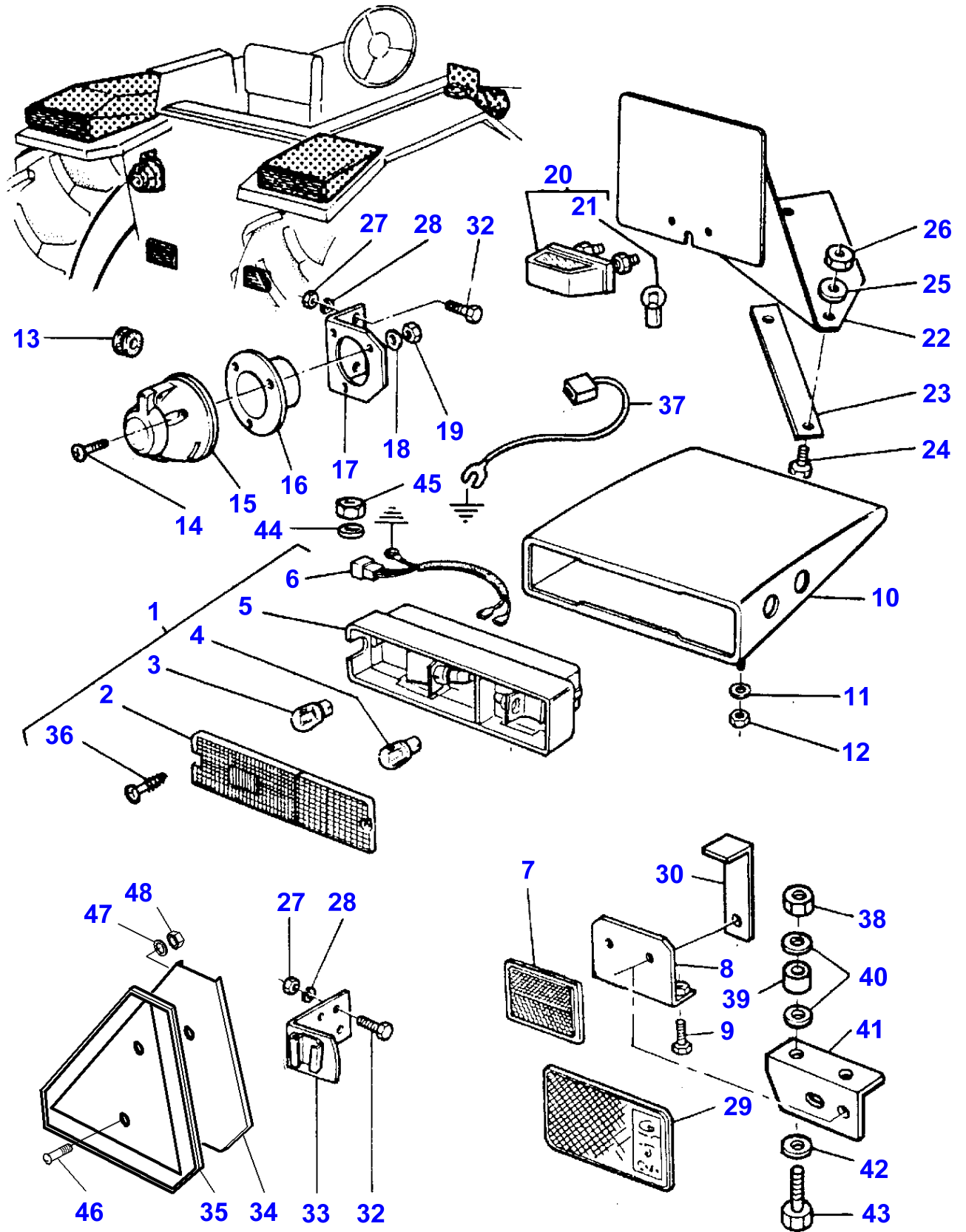
LIGHTING EQUIPMENT-REAR

Item	Part Number	Qty	Description	Comments
1	3389964M91	2	Lamp	
	3389965M91	2	Light	For United States of America
2	3105050M1	1	Reflector	(1)
		1	Reflector	(1)
				For United States of America
3	621235M1	1	Bulb 21w Side	(1)
4	908543M1	1	Bulb S/L 21/5w	(1)
5		1	Case Assy	(1)
				Not serviced, order REF 1
6	3387457M1	1	Harness	(1)
	3615595M1	1	Harness	(1)
				For United States of America
7	3581703M1	2	Reflector	[C]
8	3389212M91	2	Support	
9	1441268X1	4	Screw Metric	M6X25
10	3385411M91	1	Case Assy	Left Hand
	3385410M91	1	Case Assy	Right Hand
11	390971X1	10	Washer Metric	
12	339030X1	10	Nut Metric	
13	832682M1	1	Grommet	Diameter 16/22 MM
	828790M2	1	Plug	Diameter 16/25 MM
	1671701M1	1	Plug	Diameter 25,4/32 MM
	3580984M1	2	Grommet	Diameter 28/42 MM
14	3009538X1	3	Screw	
15	409965M1	1	Socket 7 Pin Sup	
16	3041656M1	1	Plate	
17	3580408M1	1	Support	
18	339381X1	3	Lock Washer	
19	390995X1	3	Nut Metric	
20	3388646M92	2	N/Plate Lamp	Not serviced, order 3619018M91
21	3002706X1	1	Bulb 12v 10w	(20)
22	3388889M1	1	Grommet	
23	3040758M1	1	Emblem	
	3712185M1	1	Triangle	[E,F]
				From Serial or Engine Number C060008
24	3389910M92	1	Plate	
25	3389907M92	1	Reflector Mtg.	
26	339123X1	2	Screw Metric	
27	339169X1	2	Nut Metric	
28	22428X	2	Lock Washer	
	390972X1	2	Washer Metric	
29	3389596M1	4	Reflector	[A]
30	3615396M2	4	Bridle	
32	3001725X1	2	Screw	(1)
33	3618091M1	2	Plug	For United States of America Diameter 23MM
33	3618099M1	4	Plug	For United States of America Diameter 6,5MM
33	3618091M1	2	Plug	[D] Diameter 23MM
33	3618099M1	4	Plug	[D] Diameter 6,5MM
34	339169X1	4	Nut Metric	[B]
35	3052946M1	4	Spacer	[B]
36	831158M1	8	Washer	[B]
37	3052943M1	1	Bearer	[B]
				Left Hand
37	3052944M1	1	Bearer	[B]
				Right Hand
38	339374X1	4	Lock Washer	[B]
39	339368X1	4	Bolt Metric	[B]
40	22428X	2	Lock Washer	
41	339169X1	2	Nut Metric	M8
42	339123X1	1	Screw Metric	MAUSER
43	390972X1	1	Washer Metric	MAUSER
44	339374X1	1	Lock Washer	MAUSER
45	339169X1	1	Nut Metric	MAUSER
46	3582581M1	1	Support	[D]
				Up to Serial or Engine Number C269050
46	3713954M1	1	Support	[D]

LIGHTING EQUIPMENT-REAR

Item	Part Number	Qty	Description	Comments
				From Serial or Engine Number C269051
47	338977X1	2	Grommet	[D]
48	3616121M1	1	Harness	[D]
49	339169X1	2	Nut Metric	[D]
				From Serial or Engine Number C206002
50	339374X1	2	Lock Washer	[D]
51	339123X1	2	Screw Metric	[D]
52	3580257M1	2	Screw	From Serial or Engine Number C060008
53	339381X1	2	Lock Washer	From Serial or Engine Number C060008
54	390995X1	2	Nut Metric	From Serial or Engine Number C060008
55	3712425M1	2	Support	[G]
				From Serial or Engine Number C206002
56	339721X1	2	Screw Metric	[G]
				M5X16
57	339381X1	2	Lock Washer	[G]
58	390995X1	2	Nut Metric	[G]
59	3619018M91	1	N/Plate Lamp	[D]
				Up to Serial or Engine Number C269050
59	3713952M91	1	N/Plate Lamp	[D]
				From Serial or Engine Number C269051
60	3002706X1	1	Bulb 12v 10w	(59)
				[A]
				FINLAND ONLY
				[B]
				WITH SHOE STABILIZERS
				[C]
				WITH ADHESIVE
				[D]
				TRACTOR CAB AND PLATFORM WITH PILLARS FOR SPAIN
				[E]
				NORM C.E.E
				[F]
				WITH HOLES
				[G]
				AUSTRIA
				[H]
				NOT USED

1-AW03-048



LIGHTING EQUIPMENT-REAR - PLATFORM WITHOUT PILLAR

Item	Part Number	Qty	Description	Comments
PLATFORM WITHOUT PILLAR				
1	3389964M91	2	Lamp	
2	3105050M1	1	Reflector	(1)
3	621235M1	1	Bulb 21w Side	(1)
4	908543M1	1	Bulb S/L 21/5w	(1)
5		1	Case Assy	(1)
Not serviced, order REF No 1				
6	3387457M1	1	Harness	(1)
7	3581703M1	2	Reflector	[B]
8	3389212M91	2	Support	
9	1441268X1	4	Screw Metric	M6X25
10	3385411M91	1	Case Assy	Left Hand
	3385410M91	1	Case Assy	Right Hand
11	390971X1	10	Washer Metric	
12	339030X1	10	Nut Metric	
13	828790M2	1	Plug	Diameter 16/25 MM
	1671701M1	1	Plug	Diameter 25,4/32 MM
	3580984M1	2	Grommet	Diameter 28/42 MM
14	3009538X1	3	Screw	
15	409965M1	1	Socket 7 Pin Sup	
16	3041656M1	1	Plate	
17	3580408M1	1	Support	
18	339381X1	3	Lock Washer	
19	390995X1	3	Nut Metric	
20	3388646M92	1	N/Plate Lamp	Not serviced, order 3619018M91
21	3002706X1	1	Bulb 12v 10w	(20)
22	3581045M1	1	Support	
23	3385366M1	1	Reinforcement	
24	339123X1	2	Screw Metric	
25	339374X1	2	Lock Washer	
26	339169X1	2	Nut Metric	
27	339169X1	2	Nut Metric	
28	22428X	2	Lock Washer	
	390972X1	2	Washer Metric	
	339374X1	2	Lock Washer	
29	3389596M1	4	Reflector	
30	3615396M2	4	Bridle	
32	339123X1	2	Screw Metric	
33	3389907M92	1	Reflector Mtg.	
34	3389910M92	1	Plate	
35	3040758M1	1	Emblem	
	3712185M1	1	Triangle	[C,D] From Serial or Engine Number C060008
36	3001725X1	2	Screw	(1)
37	3389517M1	1	Earth Strap	Repairs and replaces 3384457M1
38	339169X1	4	Nut Metric	[A]
39	3052946M1	4	Spacer	[A]
40	831158M1	8	Washer	[A]
41	3052943M1	1	Bearer	[A] Left Hand
41	3052944M1	1	Bearer	[A] Right Hand
42	339374X1	4	Lock Washer	[A]
43	339368X1	4	Bolt Metric	[A]
44	22428X	2	Lock Washer	
45	339169X1	2	Nut Metric	M8
46	3580257M1	2	Screw	From Serial or Engine Number C060008
47	339381X1	2	Lock Washer	From Serial or Engine Number C060008
48	390995X1	2	Nut Metric	From Serial or Engine Number C060008
[A] WITH SHOE STABILIZERS				
[B] WITH ADHESIVE				
[C] NORM C.E.E				

MASSEY FERGUSON

MF 3690 TRACTOR - 1637223

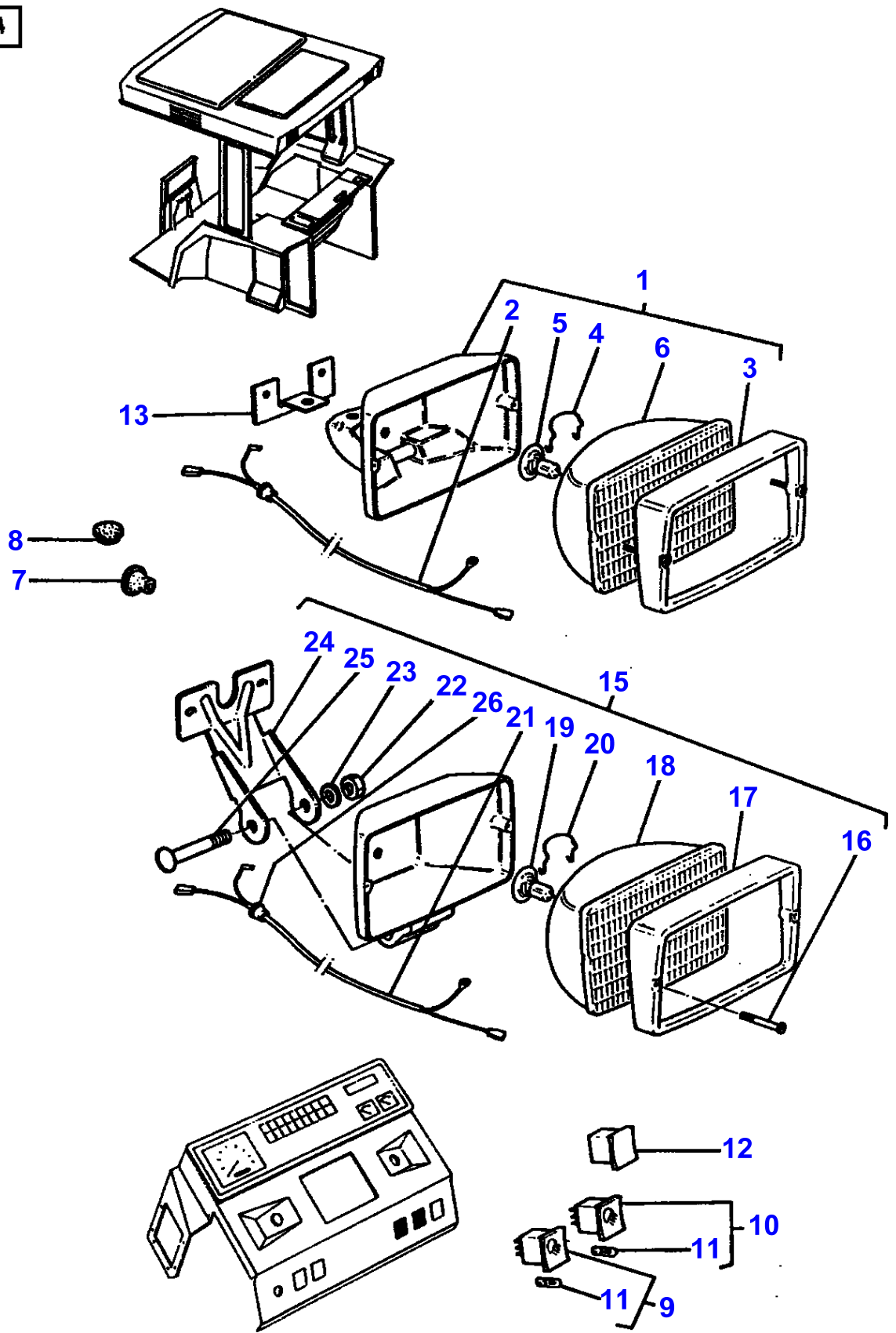
1637223

LIGHTING EQUIPMENT-REAR - PLATFORM WITHOUT PILLAR

462

Item	Part Number	Qty	Description	Comments
				[D] WITH HOLES

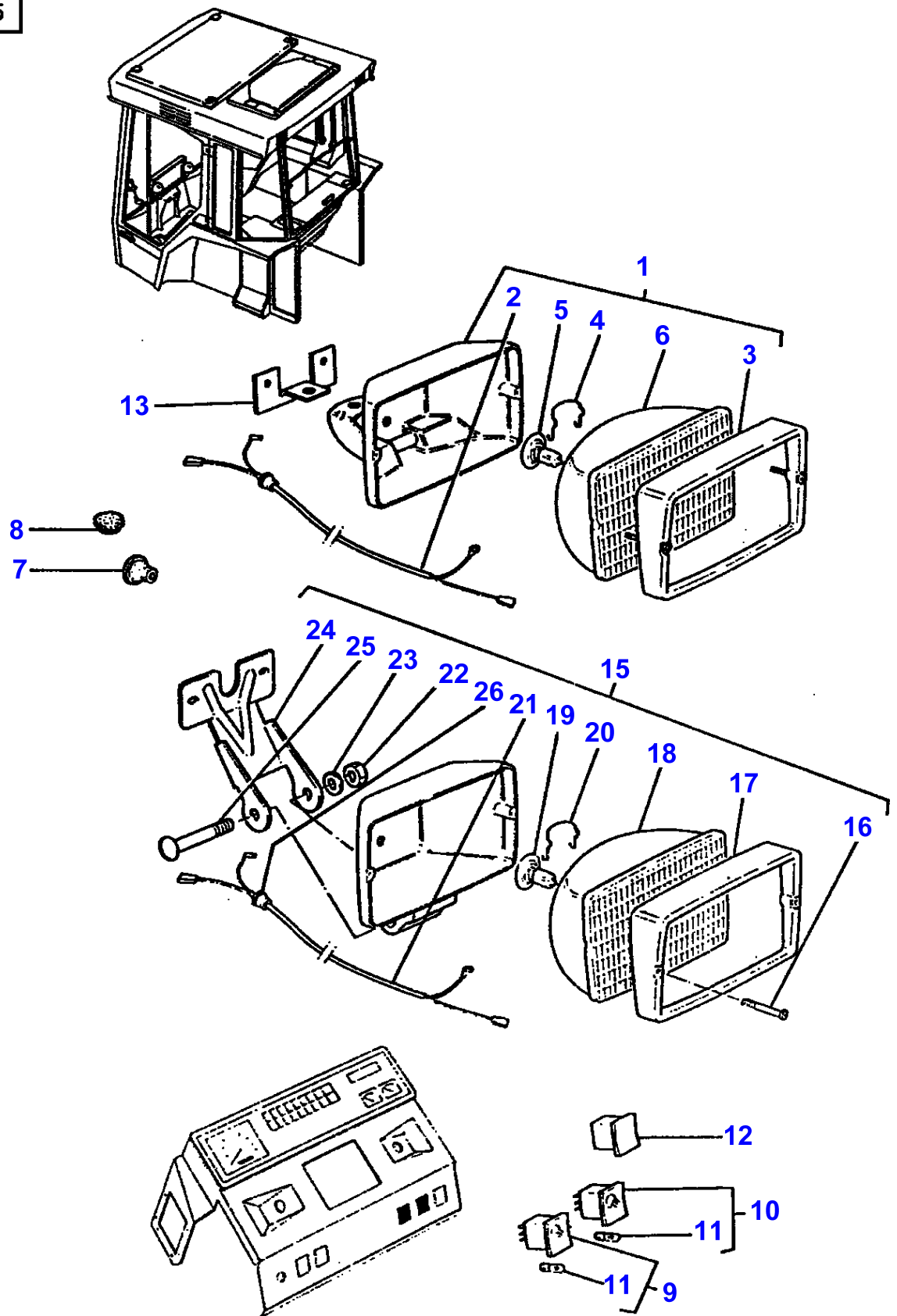
1- AW05-014



FIELD LIGHTS

Item	Part Number	Qty	Description	Comments
1	3387863M91	X	Lamp	Up to Serial or Engine Number S070009 HELLA
2	3106815M1	1	Harness	(1) 3388268M1
3	3104790M1	1	Case Assy	(1)
4	3104792M1	1	Spring	(1)
5	1628494M1	1	Bulb H3	(1)
6	3104791M1	1	Lamp Insert	(1)
7	833062M1	X	Grommet	
	390972X1	X	Washer Metric	
8	1874928M1	X	Plug	
9	3385758M92	1	Switch,Indirect	
10	3385760M92	1	Switch,Indirect	
11	3405185M1	X	Bulb 12v 1.2w	(10)
12	3385765M1	X	Plug	
13	3385196M1	X	Support	Up to Serial or Engine Number S070009
15	3617494M91	X	Lamp	From Serial or Engine Number S070010 SAW
16	3106817M1	2	Screw	(15)
17	3106813M1	1	Case Assy	(15)
18	3106819M1	1	Lamp Insert	(15)
19	1628494M1	1	Bulb H3	(15)
20	3106812M1	1	Spring	(15)
21	3106815M1	1	Harness	(15) 3388268M1
22	390575X1	1	Nut Metric	(15)
23	1443780X1	1	Washer	(15)
24	3106814M1	1	Support	(15)
25	339168X1	1	Bolt Metric	(15)
26	366846X1	1	Grommet	(15)

1-AW05-015



FIELD LIGHTS

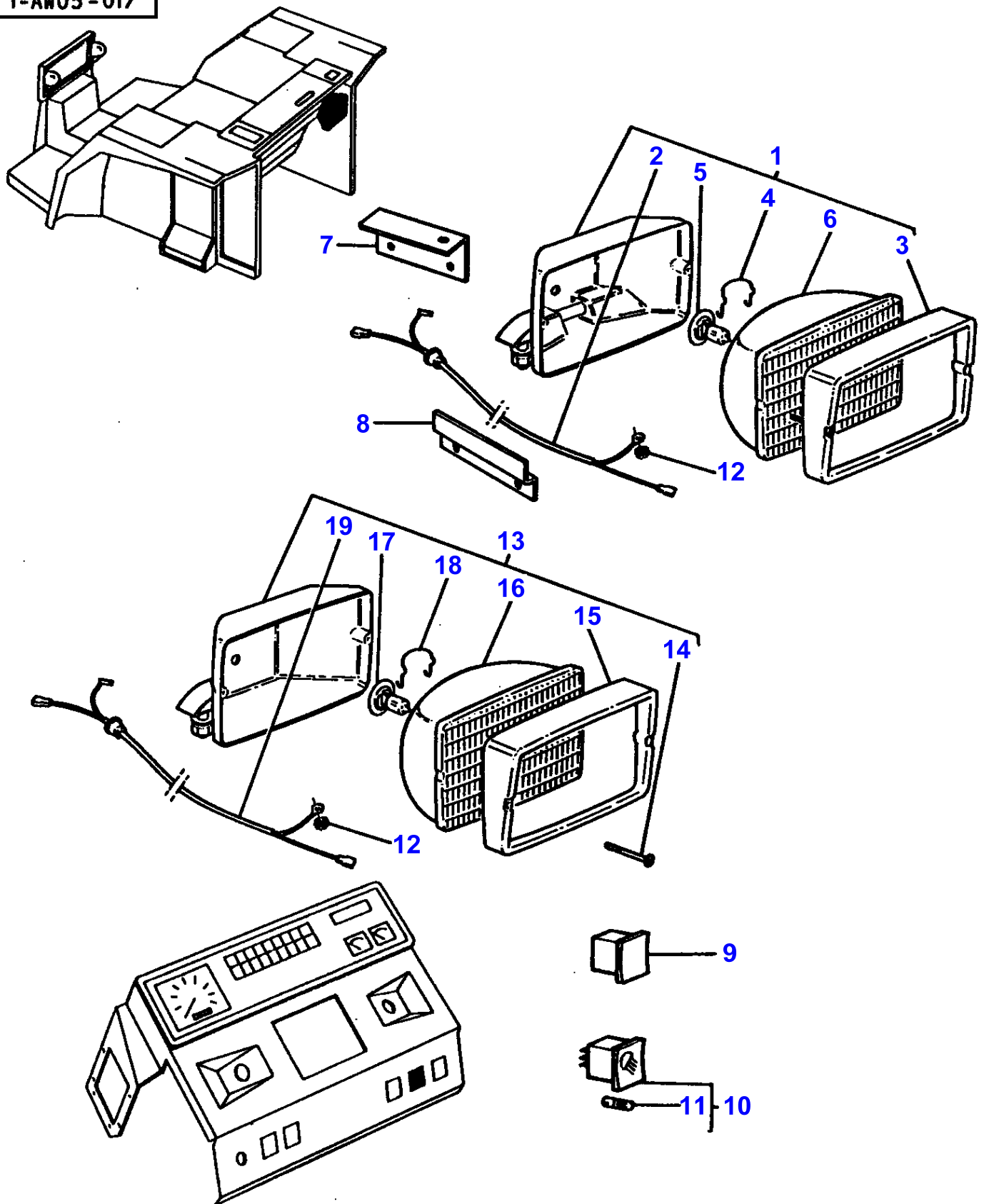
Item	Part Number	Qty	Description	Comments
1	3387863M91	X	Lamp	Up to Serial or Engine Number S070009 HELLA
2	3106815M1	1	Harness	(1) 3388268M1
3	3104790M1	1	Case Assy	(1)
4	3104792M1	1	Spring	(1)
5	1628494M1	1	Bulb H3	(1)
6	3104791M1	1	Lamp Insert	(1)
7	338977X1	X	Grommet	
	390972X1	X	Washer Metric	
8	828790M2	X	Plug	
9	3385758M92	1	Switch,Indirect	
10	3385760M92	1	Switch,Indirect	
11	3405185M1	1	Bulb 12v 1.2w	(10)
12	3385765M1	X	Plug	
13	3385196M1	X	Support	Up to Serial or Engine Number S070009
15	3617494M91	X	Lamp	From Serial or Engine Number S070010 SAW
16	3106817M1	2	Screw	(15)
17	3106813M1	1	Case Assy	(15)
18	3106819M1	1	Lamp Insert	(15)
19	1628494M1	1	Bulb H3	(15)
20	3106812M1	1	Spring	(15)
21	3106815M1	1	Harness	(15) 3388268M1
22	390575X1	1	Nut Metric	(15)
23	1443780X1	1	Washer	(15)
24	3106814M1	1	Support	(15)
25	339168X1	1	Bolt Metric	(15)
26	366846X1	1	Grommet	(15)
27	339169X1	4	Nut Metric	[A,B]
28	339123X1	8	Screw Metric	[A,B] M8X20
29	3900852M1	2	Plate	[A,B]

[A]
NO ILLUSTRATED

[B]
FOR JAPANESE MARKET ONLY

[C]
REAR WORKING LIGHT

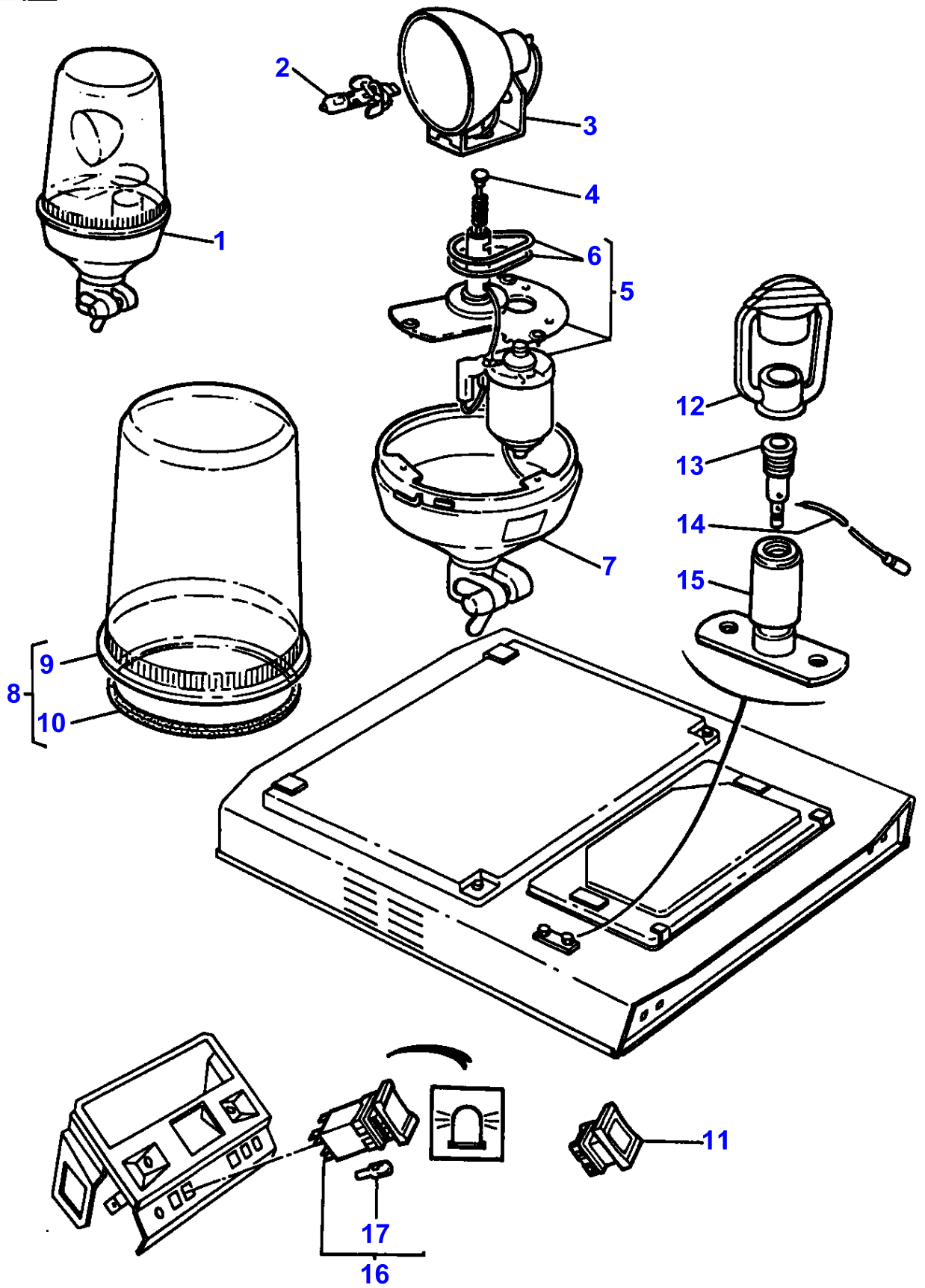
1-AW05-017



FIELD LIGHTS - PLATFORM WITHOUT PILLAR

Item	Part Number	Qty	Description	Comments
				PLATFORM WITHOUT PILLAR
1	3581047M91	1	Lamp	Up to Serial or Engine Number A125007
2	3106815M1	1	Harness	(1) 3388268M1
3	3104790M1	1	Case Assy	(1)
4	3104792M1	1	Spring	(1)
5	1628494M1	1	Bulb H3	(1)
6	3104791M1	1	Lamp Insert	(1)
7	3581046M1	1	Support	
8	3581049M1	1	Cowl	
9	3385765M1	1	Plug	
10	3385760M92	1	Switch,Indirect	
11	3405185M1	1	Bulb 12v 1.2w	(10)
12	3008914X1	1	Tab Washer	
13	3617703M91	1	Work Light	From Serial or Engine Number A125008 SAW
14	3106817M1	2	Screw	(13)
15	3106813M1	1	Case Assy	(13)
16	3106819M1	1	Lamp Insert	(13)
17	1628494M1	1	Bulb H3	(13)
18	3106812M1	1	Spring	(13)
19	3106815M1	1	Harness	(13) 3388268M1

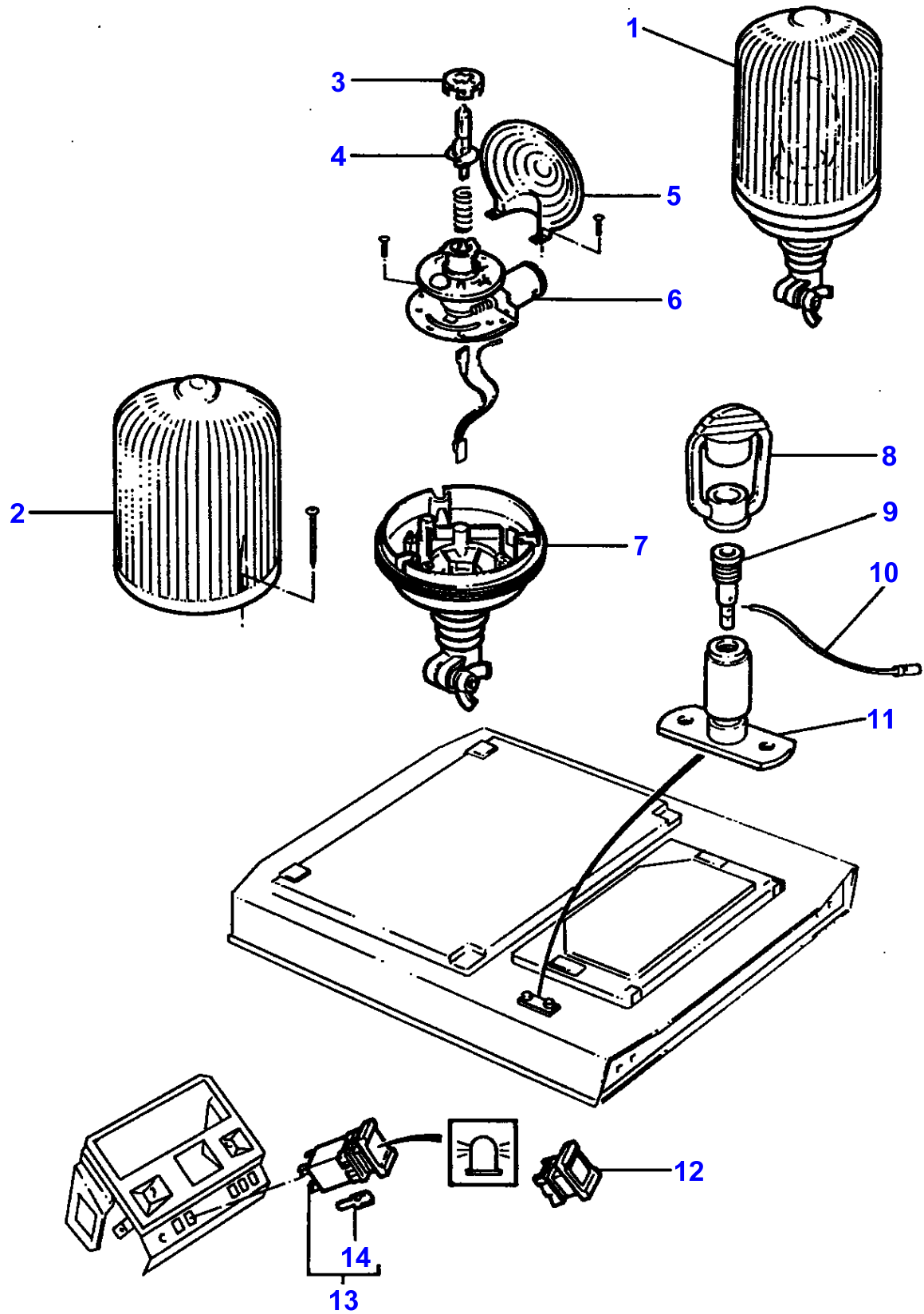
1-AW11-003



LIGHTING KITS - UP TO NO S332011

Item	Part Number	Qty	Description	Comments
				UP TO NO S332011
1	3389948M91	1	Turning Light	[B] HELLA
2	3405180M1	1	Bulb	(1) 12V/55W
3	3105191M1	1	Reflectingmirror	(1)
4	3105192M1	1	Switch,Indirect	(1)
5	3105193M1	1	Electric Motor	(1)
6	3101532M1	1	Kit, Belt	(5)
7		1	Support	(1) Not serviced, order REF NO 1
8	3101526M91	1	Lens	(1)
9		1	Lens	(8) Not serviced, order REF NO 8
10	3101528M1	1	Gasket	(8)
11	3385765M1	1	Plug	[A]
12	3041759M1	1	Cap	
13	3041760M1	1	Intake	
14	3041761M1	1	Wire	
15	3041756M91	1	Bearer	
16	3385756M91	1	Switch,Indirect	
17	3405185M1	1	Bulb 12v 1.2w	(16) [A] WITHOUT ROTATING LIGHT [B] ORANGE

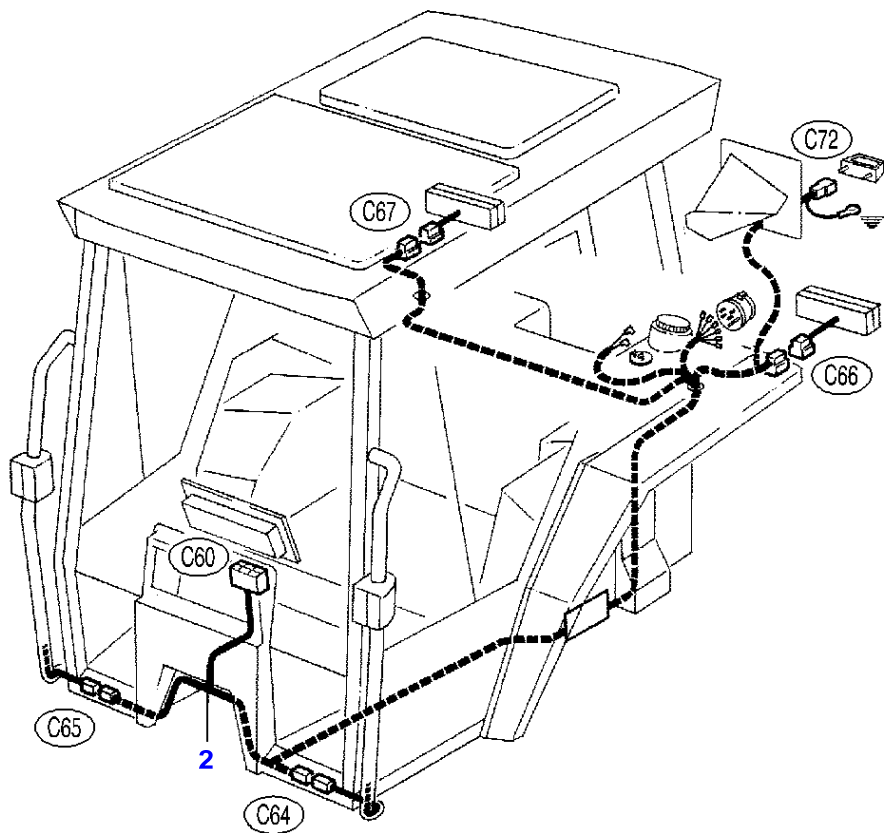
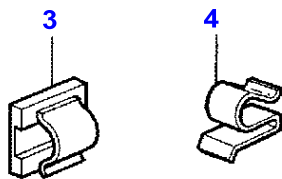
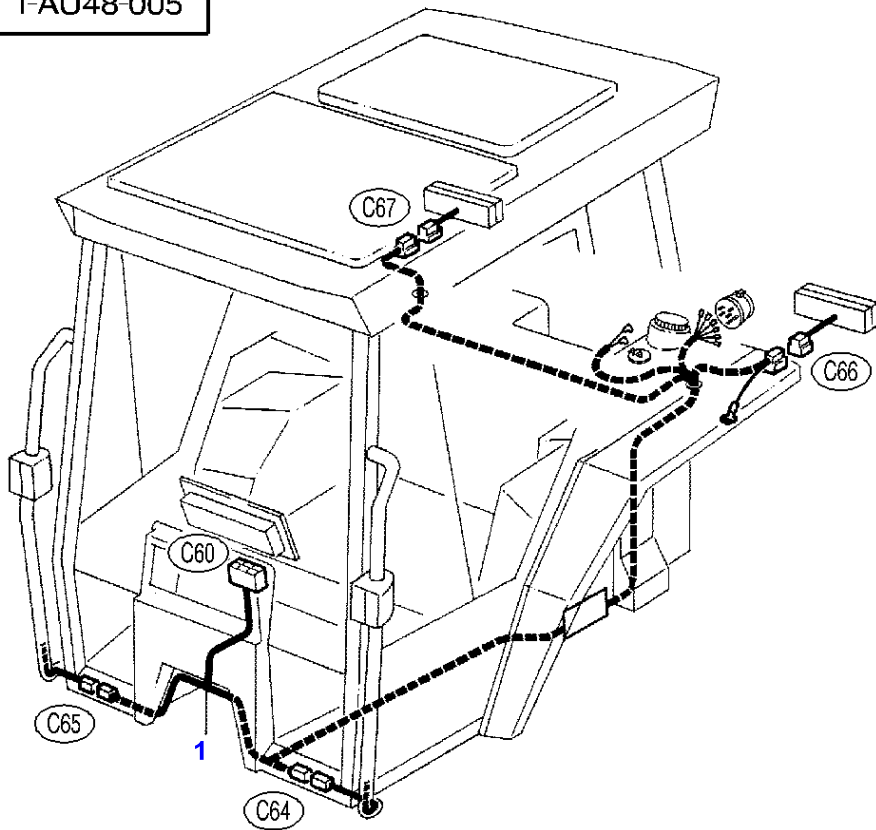
1-AW11-006



LIGHTING KITS - FROM NO S332012

Item	Part Number	Qty	Description	Comments
				FROM NO S332012
1	3617851M91	1	Turning Light	[A] SIRENA
2	3900283M1	1	Lens	(1)
3	3900281M1	1	Bush	(1)
4	3405180M1	1	Bulb	(1) 12V/55W
5	3900282M1	1	Reflectingmirror	(1)
6	3900285M1	1	Engine	(1)
7		1	Support	(1) Not serviced, order REF NO 1
8	3617859M1	1	Helmet	
9	3617860M1	1	Intake	
10	3617855M1	1	Wire	
11	3041756M91	1	Bearer	
13	3385756M91	1	Switch,Indirect	
14	3405185M1	1	Bulb 12v 1.2w	(13) [A] ORANGE [B] WITHOUT ROTATING LIGHT [C] NOT USED

1-AU48-005



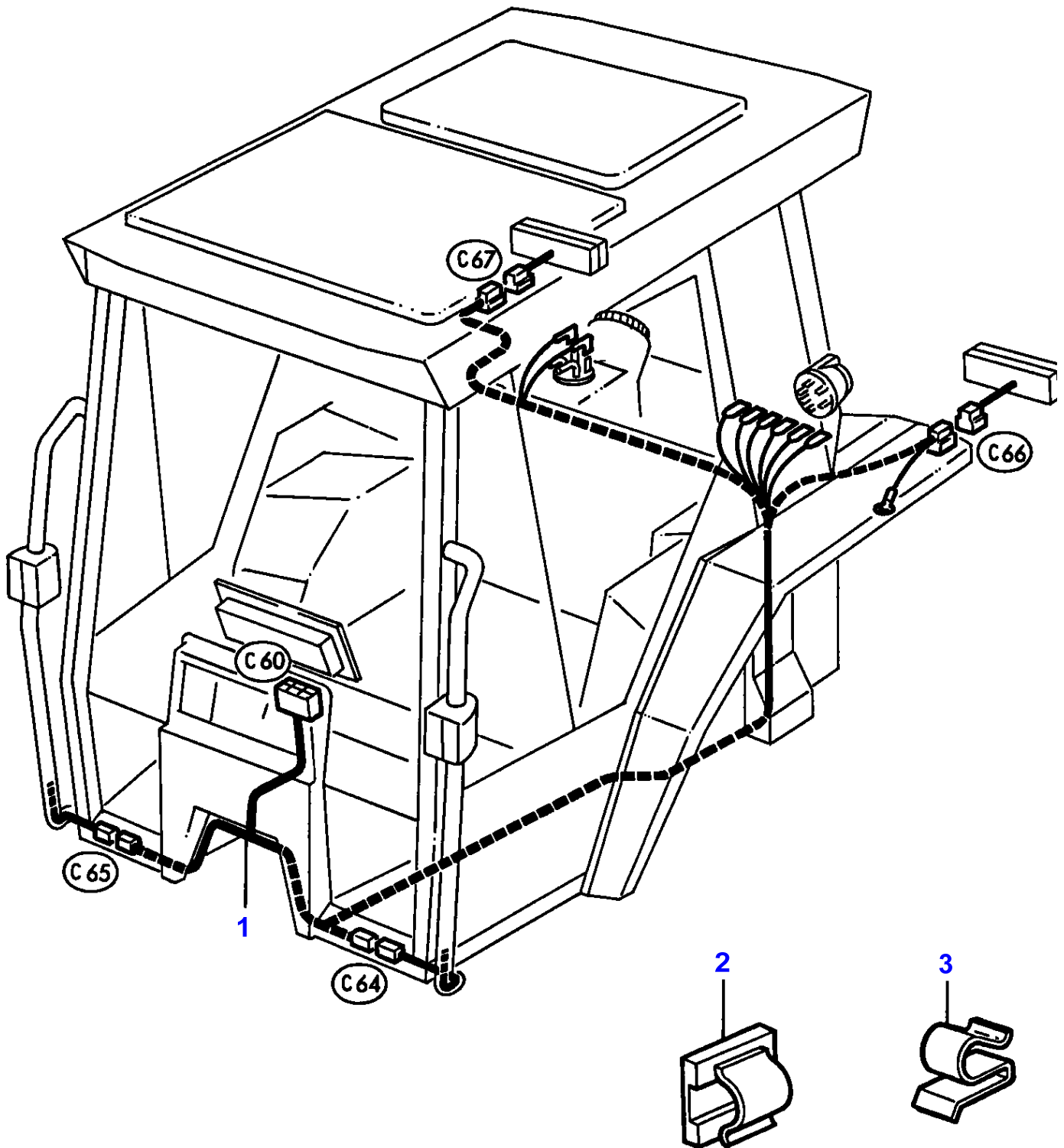
MASSEY FERGUSON**MF 3690 TRACTOR - 1637223****1637223****468****TRACTOR CAB-LIGHTING EQUIPMENT**

Item	Part Number	Qty	Description	Comments
1	3583299M2	1	Harness	
	3615596M2	1	Harness	[A] For United States of America
2	3583299M2	1	Harness	[B]
3	3760697M1	2	Clip	
4	963516M1	X	Fastener	

[A]
WITHOUT ELECTRICAL PLUG

[B]
TRACTOR CAB AND PLATFORM WITH PILLARS FOR SPAIN

1-AU48-002

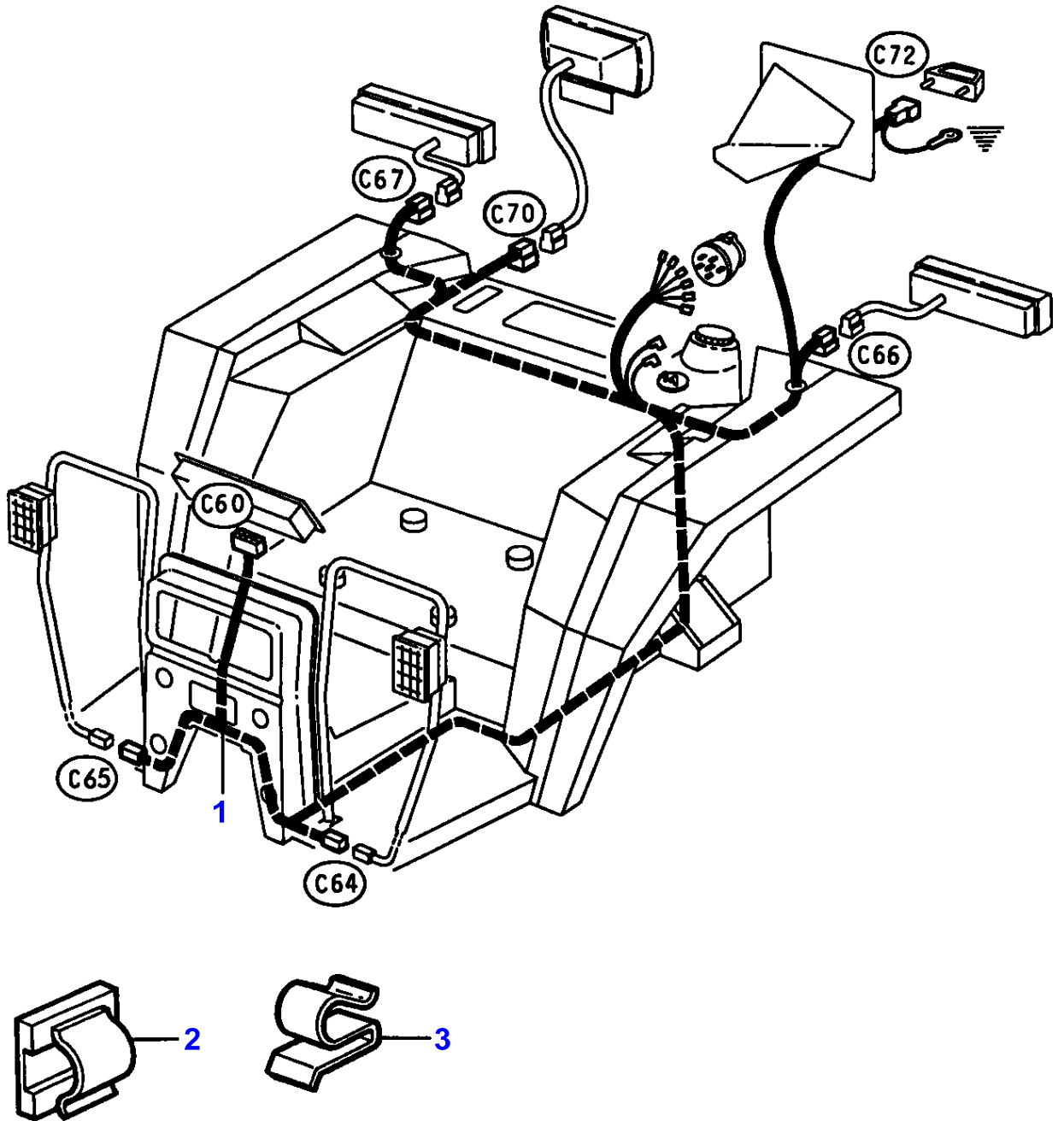


MASSEY FERGUSON**MF 3690 TRACTOR - 1637223****1637223****TRACTOR CAB-LIGHTING EQUIPMENT - FORESTRY CAB****469**

Item	Part Number	Qty	Description	Comments
------	-------------	-----	-------------	----------

1	3583755M2	1	Harness	
2	3760697M1	2	Clip	
3	963516M1	X	Fastener	FORESTRY CAB

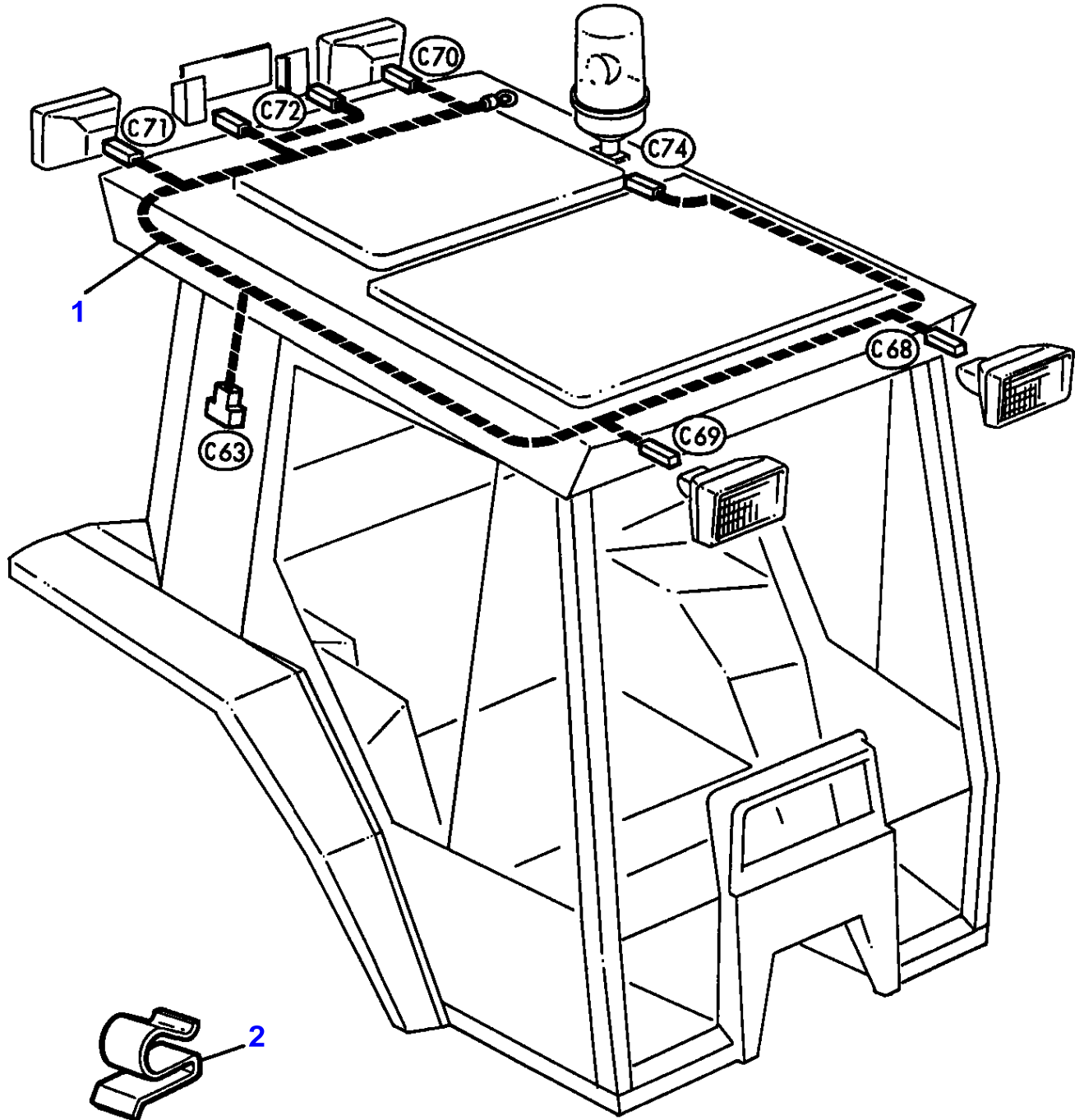
1-AW01-001



MASSEY FERGUSON**MF 3690 TRACTOR - 1637223****1637223****LIGHTING EQUIPMENT - LAMP AND LIGHTS - PLATFORM WITHOUT PILLARS****470**

Item	Part Number	Qty	Description	Comments
				LAMP AND LIGHTS - PLATFORM WITHOUT PILLARS
1	3583298M2	1	Harness	
2	3760697M1	2	Clip	
3	963516M1	X	Fastener	

1-AU16-043

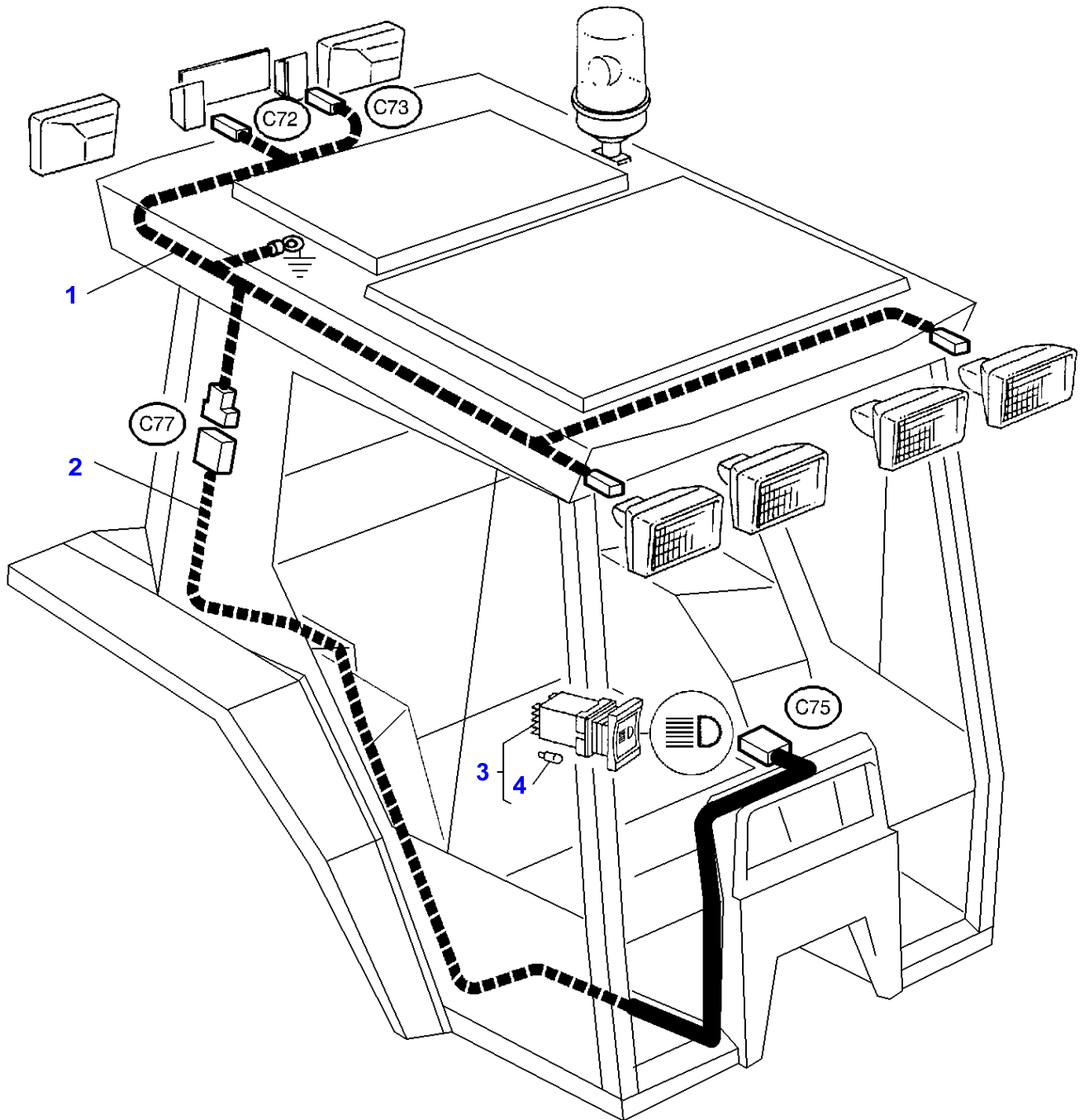


MASSEY FERGUSON**MF 3690 TRACTOR - 1637223****1637223****471****TRACTOR CAB-ELECTRICAL WIRING**

Item	Part Number	Qty	Description	Comments
1	3387307M2	1	Harness	
	3616120M1	1	Harness	[A]
2	3699579M1	X	Clip	

[A]
AUSTRIA

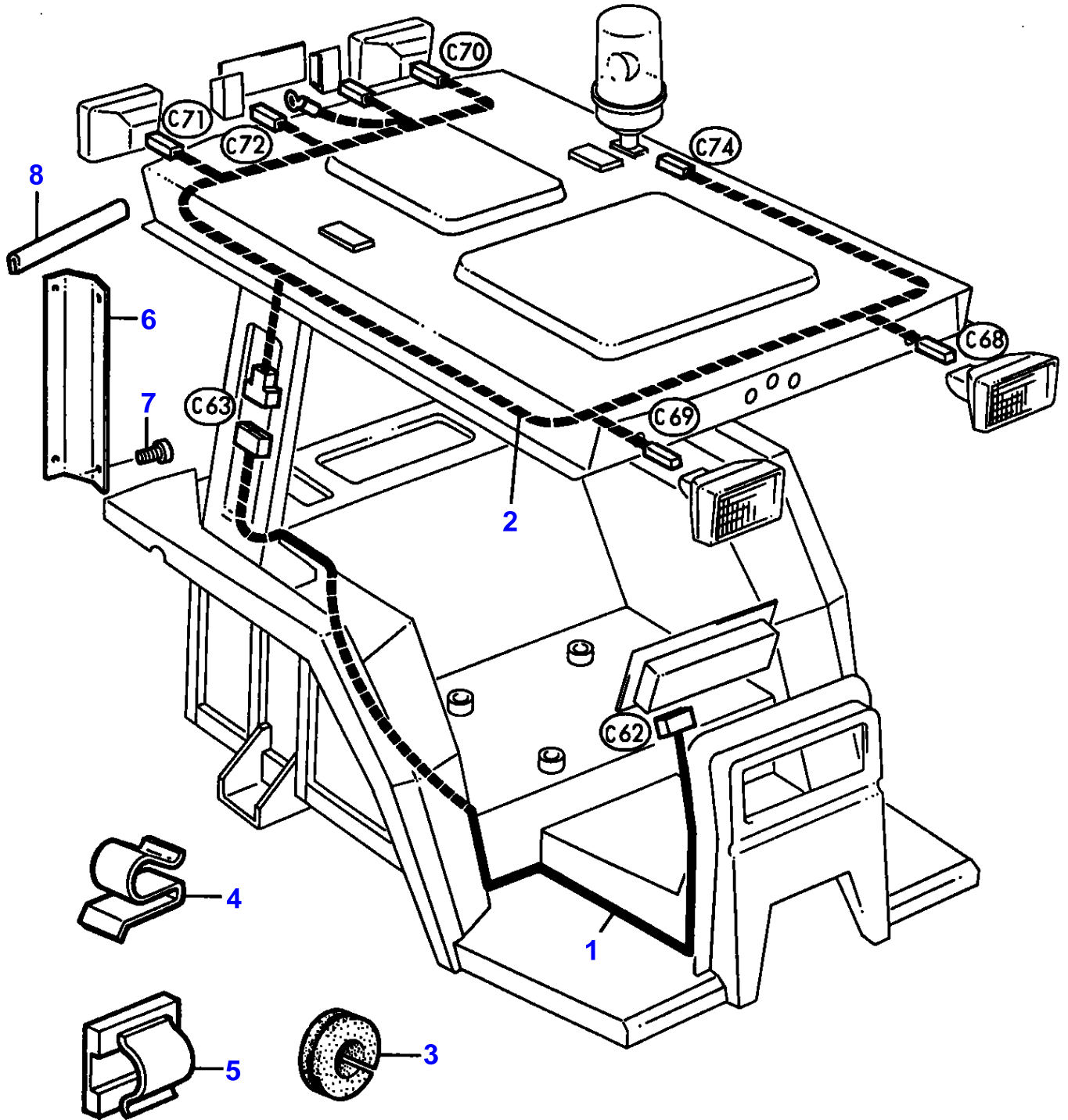
1-AU16-146



MASSEY FERGUSON**MF 3690 TRACTOR - 1637223****1637223****TRACTOR CAB-ELECTRICAL WIRING - AUSTRIA****472**

Item	Part Number	Qty	Description	Comments
				AUSTRIA
1	3619247M1	1	Harness	
2	3619246M1	1	Harness	
3	3619505M91	1	Switch,Indirect	
4	3370435M1	1	Bulb 12v 1.2w	(3) 1,2W

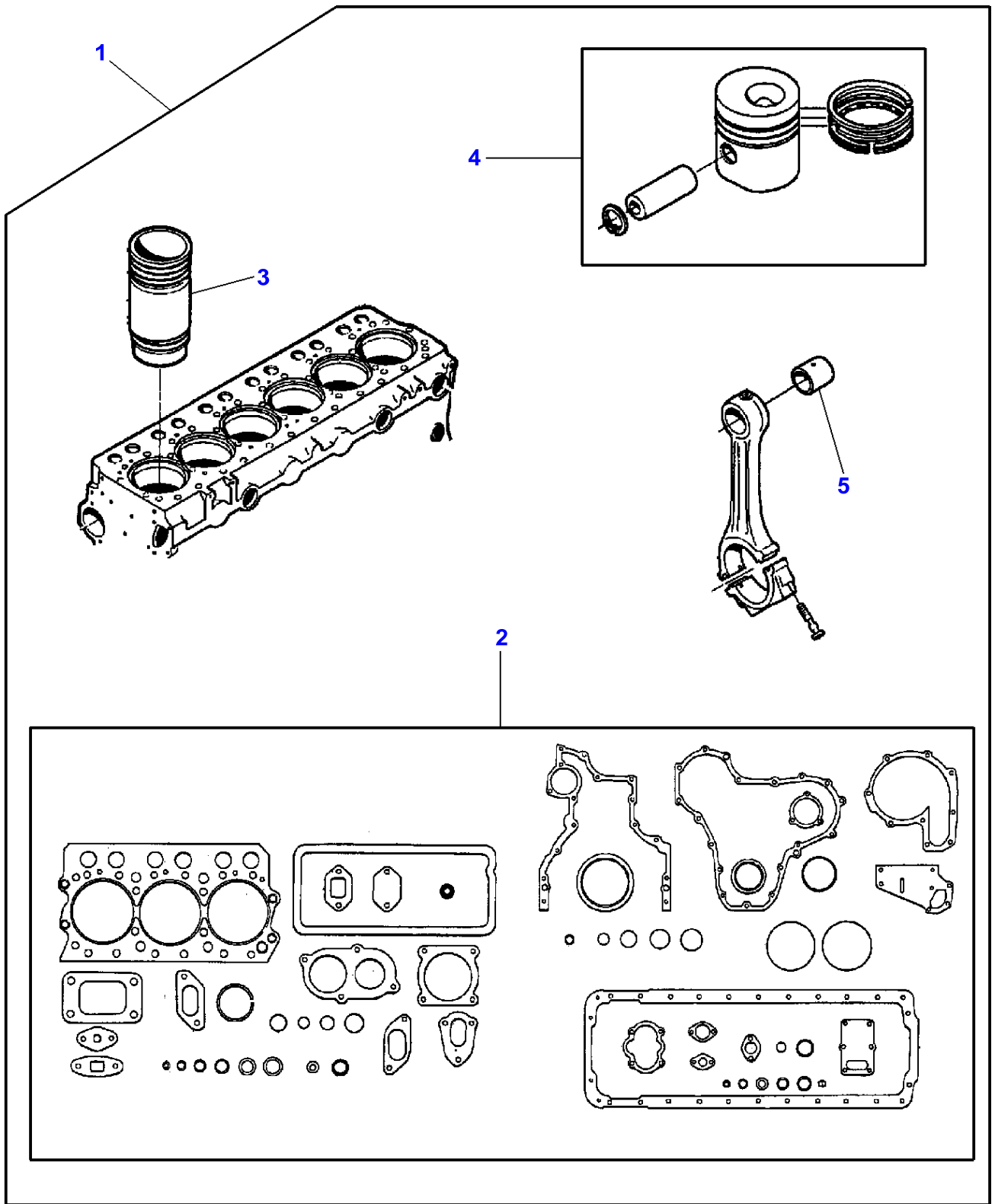
1-AS12-002



MASSEY FERGUSON**MF 3690 TRACTOR - 1637223****1637223****PLATFORM WITH PILLARS-ELECTRICAL WIRING****473**

Item	Part Number	Qty	Description	Comments
1	3580471M1	1	Cable	
2	3580557M1	1	Roof Cable	
3	3388889M1	1	Grommet	Diameter 11/25MM
4	3699579M1	X	Clip	
5	3583514M1	X	Strap	Up to Serial or Engine Number
	3760697M1	X	Clip	Diameter 11MM
6	3580472M1	1	Cowl	
7	360369X1	4	Self Tap Screws	
8	3580475M1	1	Profile	Length 50MM

1-LA42-002-A



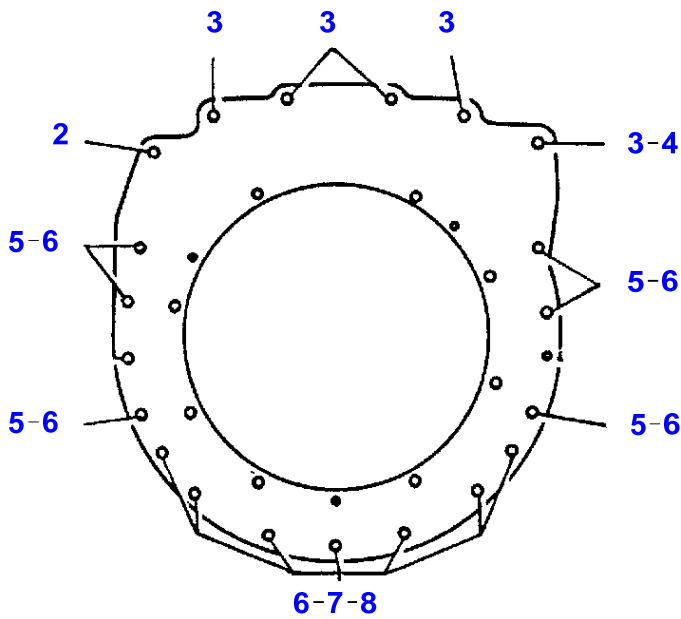
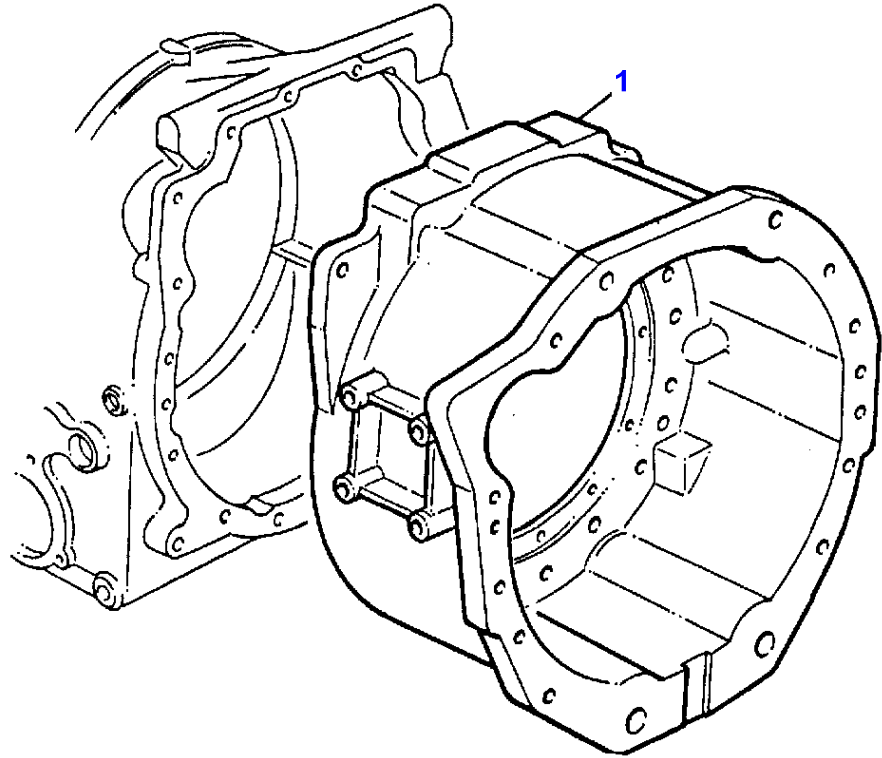
MASSEY FERGUSON**MF 3690 TRACTOR - 1637223****1637223****ENGINE OVERHAUL KITS - UP TO NO C146005****474**

Item	Part Number	Qty	Description	Comments
------	-------------	-----	-------------	----------

UP TO NO C146005

1	3640631M91	1	Kit, Repair	
2	3637656M91	1	Kit, Gasket	(1)
3	3637621M1	6	Liner	(1)
4	3638615M1	6	Piston	(1)
5	3637624M1	6	Bush	(1)

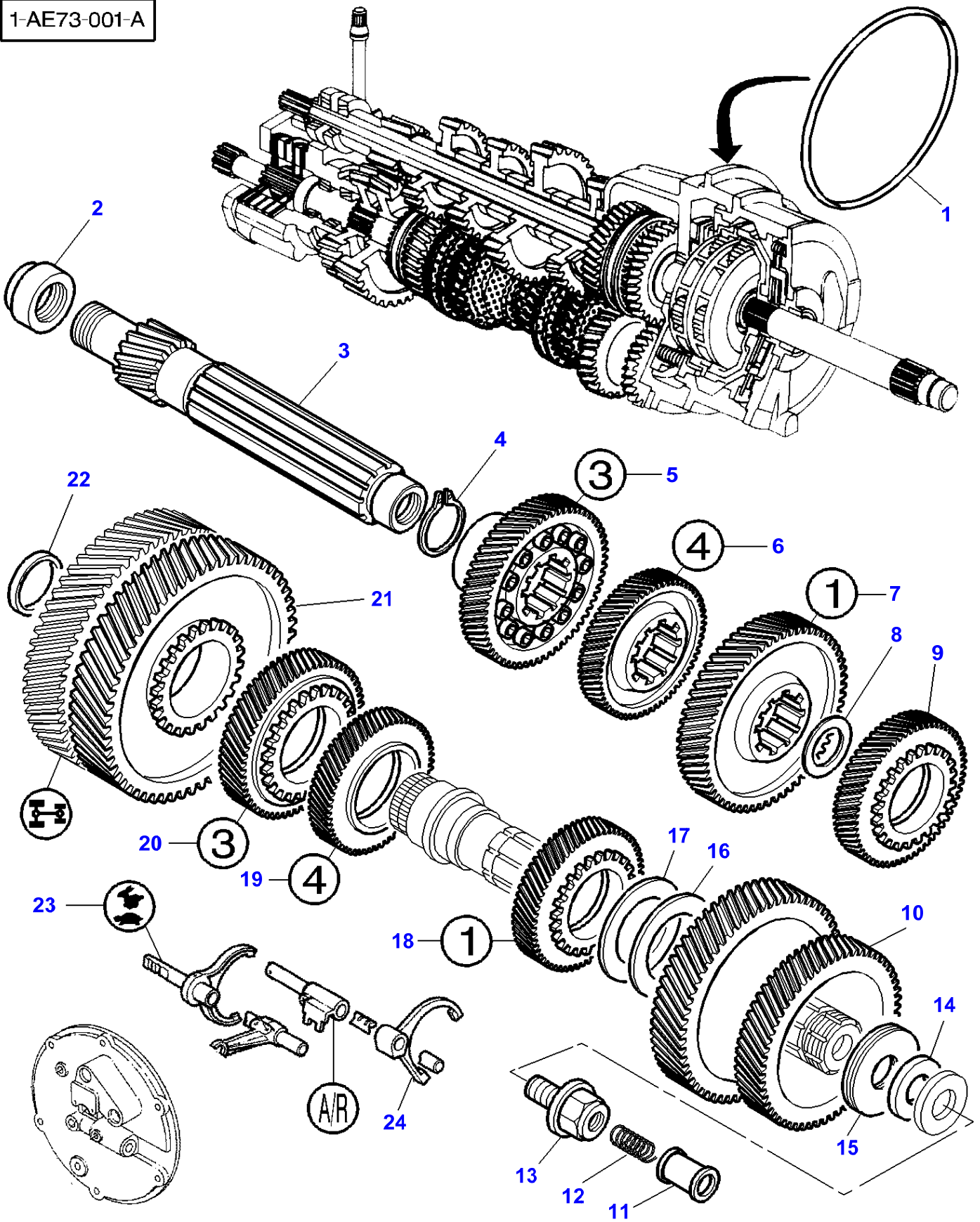
1-AD02-506-A



MASSEY FERGUSON**MF 3690 TRACTOR - 1637223****1637223****FRONT SPACER - UP TO NO B153019****475**

Item	Part Number	Qty	Description	Comments
				UP TO NO B153019
	3902562M91	1	Parts Pack	
1	3618743M2	1	Spacer	
2	3010425X1	1	Screw	M14X45
3	3010426X1	5	Screw	M14X55
4	3010349X1	1	Nut	M14
5	3019851X1	6	Bolt Metric	M12X45
6	3385525M2	13	Washer	
7	3019861X1	7	Stud	M12X35
8	3019862X1	7	Nut Metric	M12

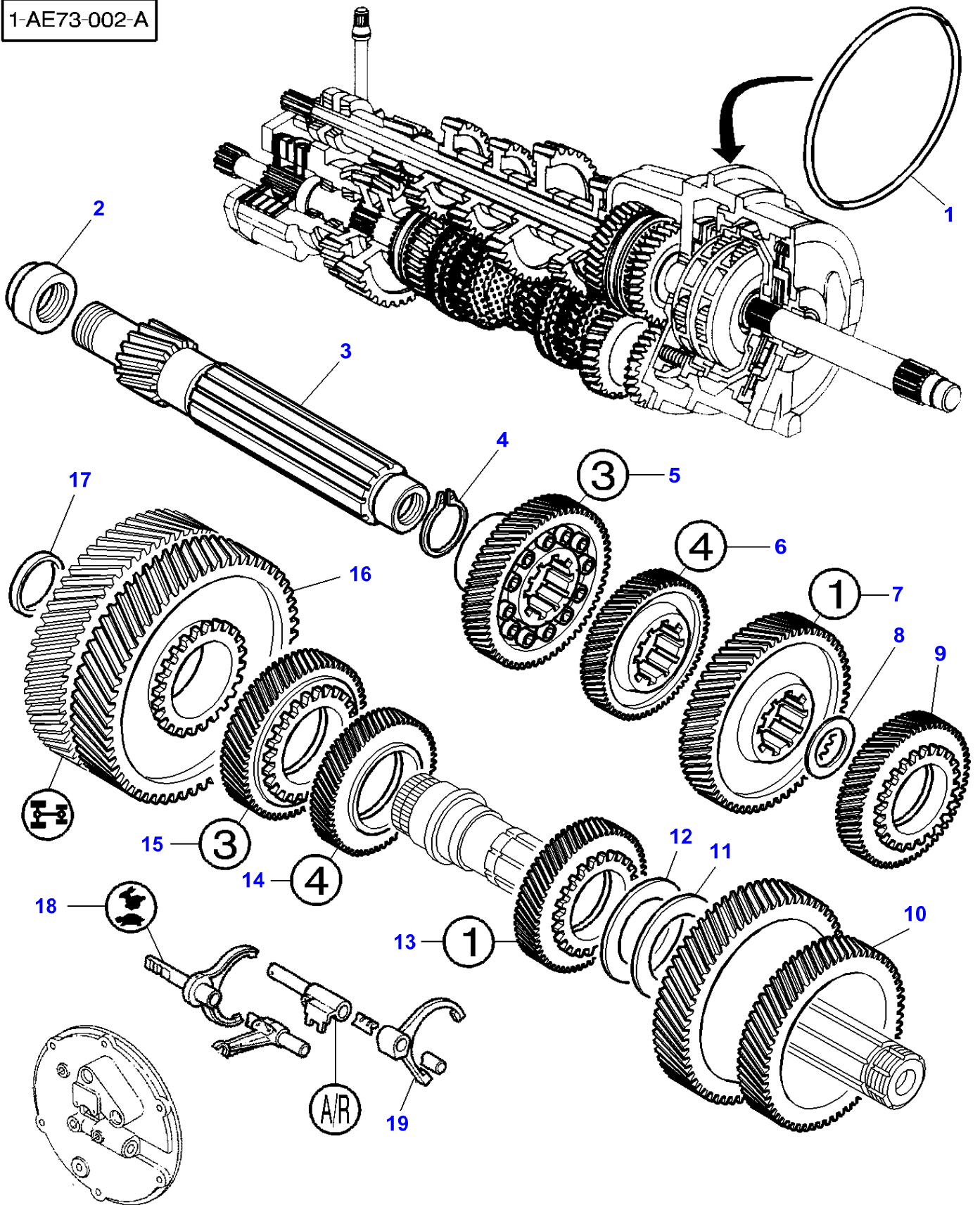
1-AE73-001-A



GEAR BOX

Item	Part Number	Qty	Description	Comments
	3715262M11	1	Kit, Gearbox	3715262M91
1	3388928M1	1	O Ring	
2	1614882M2	1	Nut	
3	3715132M1	1	Shaft	Number of teeth/spines 19
4	355921X1	1	Ring	
5	3715225M91	1	Pinion	Number of teeth/spines 35
6	3617272M2	1	Pinion	Number of teeth/spines 30
7	3618968M2	1	Pinion	Number of teeth/spines 43
8	3042846M1	2	Shim	Thickness 0,20 MM
	3042847M1	2	Shim	Thickness 0,40 MM
	3042848M2	2	Shim	Thickness 1 MM
9	3715139M1	1	Pinion	Number of teeth/spines 38
10	3715140M1	1	Pinion	Number of teeth/spines 28/26
11	3385884M1	1	Tube	
12	3382828M1	1	Spring	
13	3715160M1	1	Screw Special	
14	3715154M1	1	Washer	Thickness 3,25 MM
	3715155M1	1	Washer	Thickness 3,50 MM
	3715156M1	1	Washer	Thickness 3,75 MM
	3715157M1	1	Washer	Thickness 4 MM
	3715158M1	1	Washer	Thickness 4,25 MM
15	3715159M1	3	Cup Spring	
16	3383171M1	2	Chock	Thickness 0,05 MM
	3380040M1	2	Shim	Thickness 0,10 MM
	3380041M1	2	Shim	Thickness 0,30 MM
	3380042M1	2	Shim	Thickness 0,50 MM
17	3383164M1	1	Washer	
18	3714109M1	1	Pinion	Number of teeth/spines 17
19	3617281M92	1	Pinion	Number of teeth/spines 35
20	3715138M1	1	Pinion	Number of teeth/spines 30
21	3715136M91	1	Pinion	Number of teeth/spines 46
22	3616313M1	2	Chock	Thickness 0,05 MM
	3616312M1	2	Chock	Thickness 0,1 MM
	3616311M1	2	Chock	Thickness 0,3 MM
	3616310M1	2	Chock	Thickness 0,5 MM
	3616309M1	2	Chock	Thickness 0,9 MM
	3616308M1	2	Chock	Thickness 2 MM
23	3714935M1	1	Stem	
24	3714925M1	1	Fork	

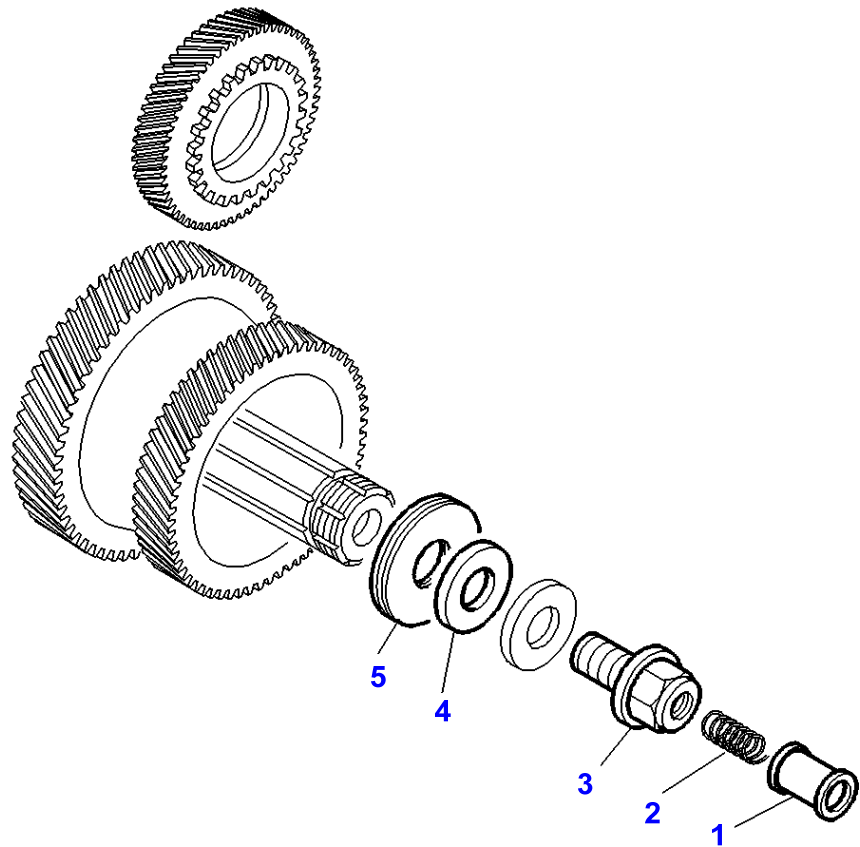
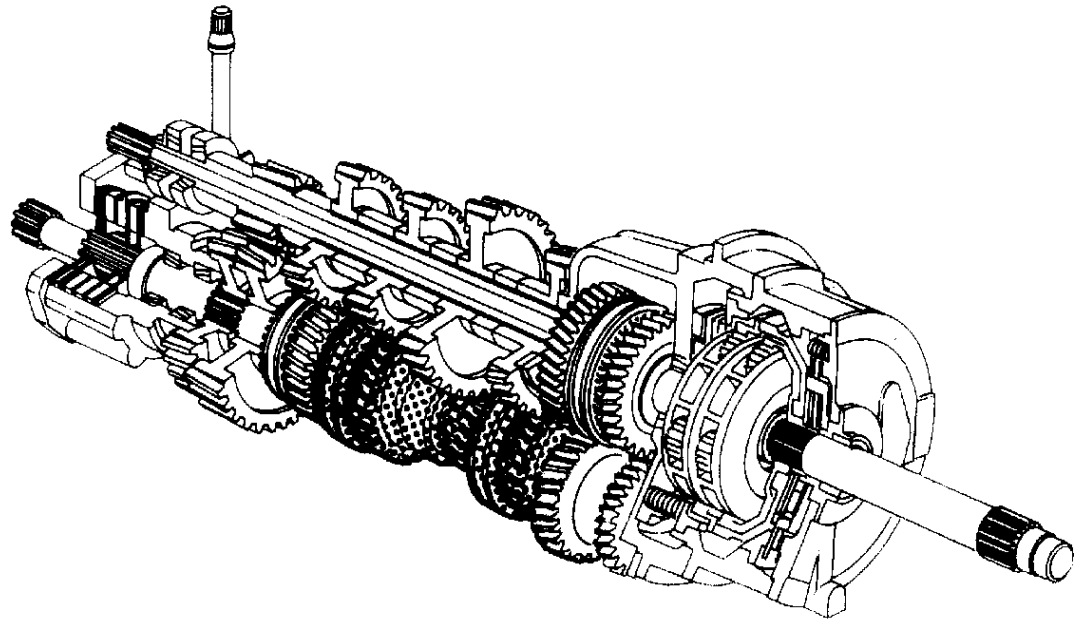
1-AE73-002-A



GEAR BOX

Item	Part Number	Qty	Description	Comments
	3715395M12	1	Kit, Gearbox	3715395M91
1	3388928M1	1	O Ring	
2	1614882M2	1	Nut	
3	3714822M1	1	Shaft	Number of teeth/spines 17
4	355921X1	1	Ring	
5	3715221M91	1	Pinion	Number of teeth/spines 35
6	3617272M2	1	Pinion	Number of teeth/spines 30
7	3618968M2	1	Pinion	Number of teeth/spines 43
8	3042846M1	2	Shim	Thickness 0,20 MM
	3042847M1	2	Shim	Thickness 0,40 MM
	3042848M2	2	Shim	Thickness 1 MM
9	3715139M1	1	Pinion	Number of teeth/spines 38
10	3715140M1	1	Pinion	Number of teeth/spines 28/26
11	3383171M1	2	Chock	Thickness 0,05 MM
	3380040M1	2	Shim	Thickness 0,10 MM
	3380041M1	2	Shim	Thickness 0,30 MM
	3380042M1	2	Shim	Thickness 0,50 MM
12	3383164M1	1	Washer	
13	3714109M1	1	Pinion	Number of teeth/spines 17
14	3617281M92	1	Pinion	Number of teeth/spines 35
15	3618933M3	1	Pinion	Number of teeth/spines 30
16	3714868M92	1	Pinion	Number of teeth/spines 48
17	3616313M1	2	Chock	Thickness 0,05 MM
	3616312M1	2	Chock	Thickness 0,1 MM
	3616311M1	2	Chock	Thickness 0,3 MM
	3616310M1	2	Chock	Thickness 0,5 MM
	3616309M1	2	Chock	Thickness 0,9 MM
	3616308M1	2	Chock	Thickness 2 MM
18	3714935M1	1	Stem	
19	3714925M1	1	Fork	

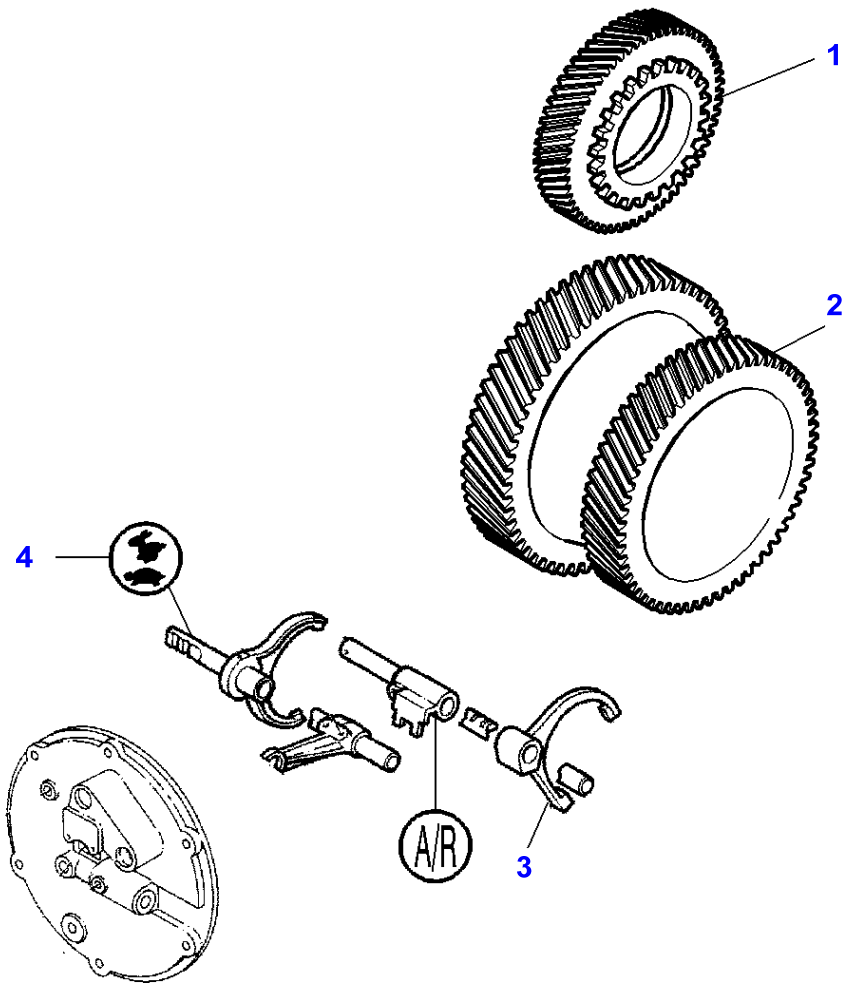
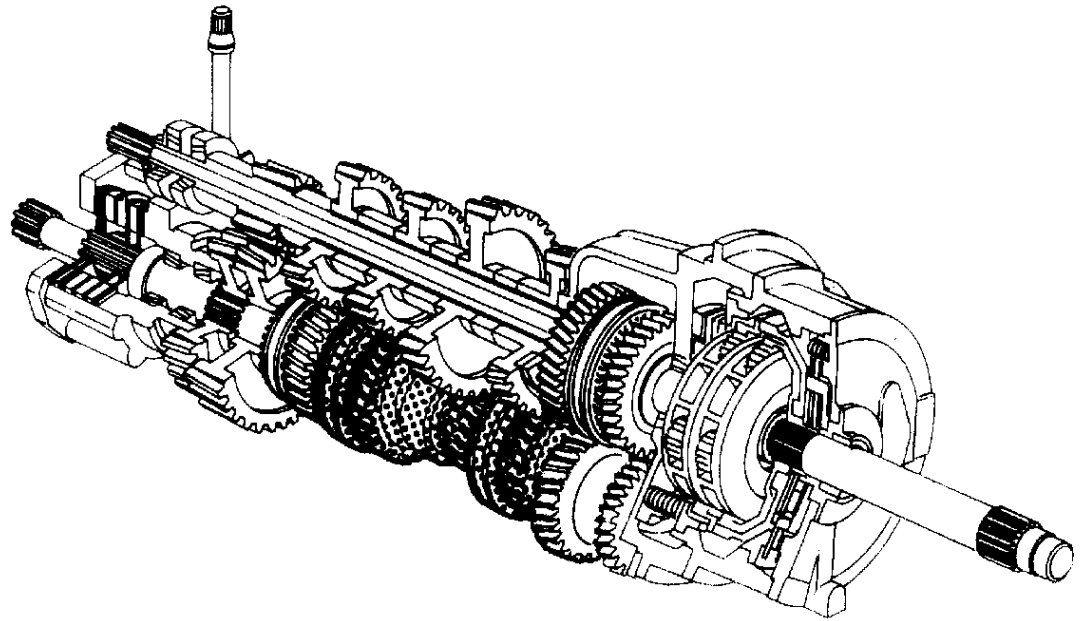
1-AE73-003-A



GEAR BOX

Item	Part Number	Qty	Description	Comments
	3715263M11	1	Parts Pack	3715263M91
1	3385884M1	1	Tube	
2	3382828M1	1	Spring	
3	3715160M1	1	Screw Special	
4	3715154M1	1	Washer	Thickness 3,25 MM
	3715155M1	1	Washer	Thickness 3,50 MM
	3715156M1	1	Washer	Thickness 3,75 MM
	3715157M1	1	Washer	Thickness 4 MM
	3715158M1	1	Washer	Thickness 4,25 MM
5	3715159M1	3	Cup Spring	

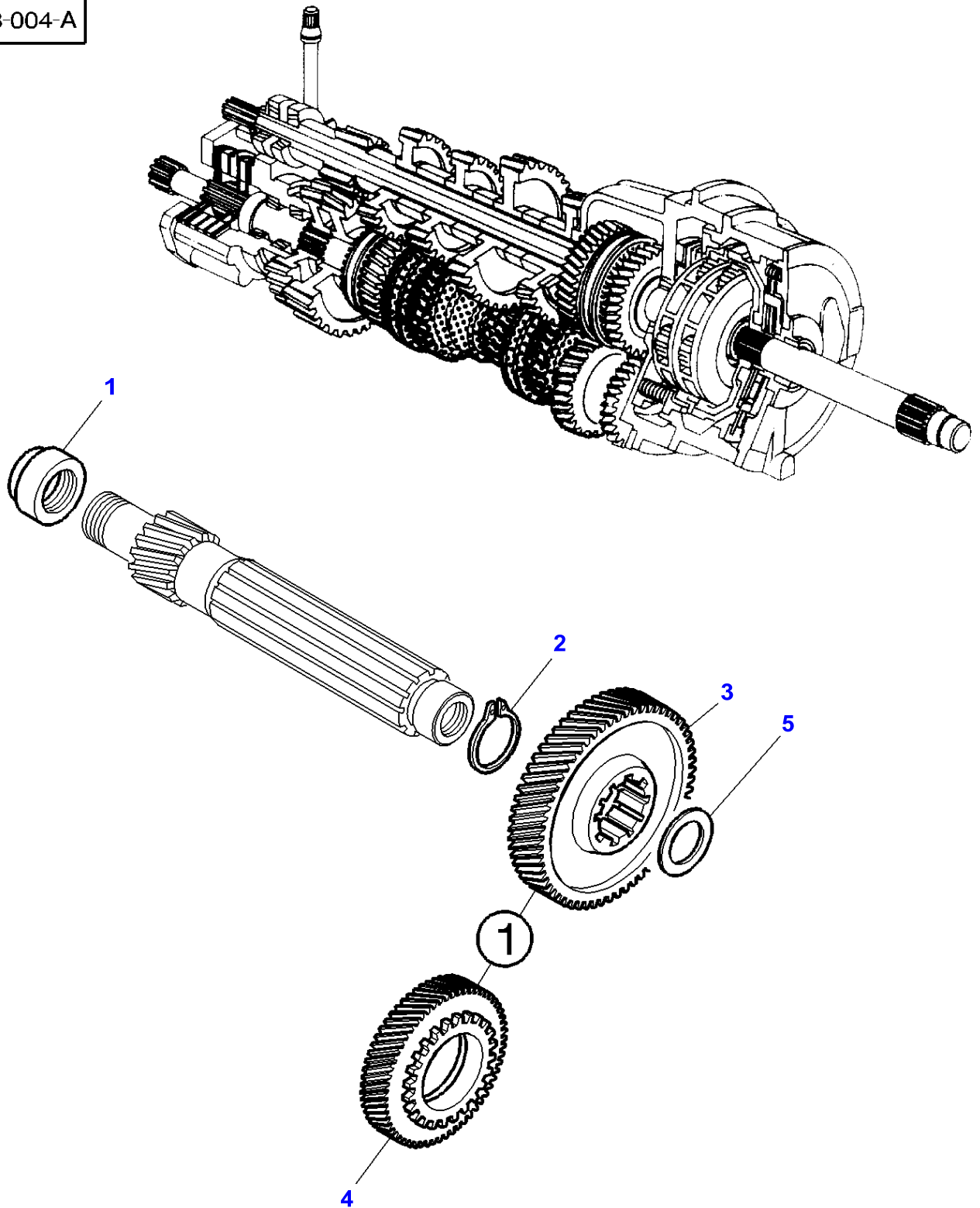
1-AE73-005-A



GEAR BOX

Item	Part Number	Qty	Description	Comments
	3715267M91	1	Parts Pack	
1	3715139M1	1	Pinion	Number of teeth/spines 38
2	3715140M1	1	Pinion	Number of teeth/spines 28/26
3	3714925M1	1	Fork	
4	3714935M1	1	Stem	

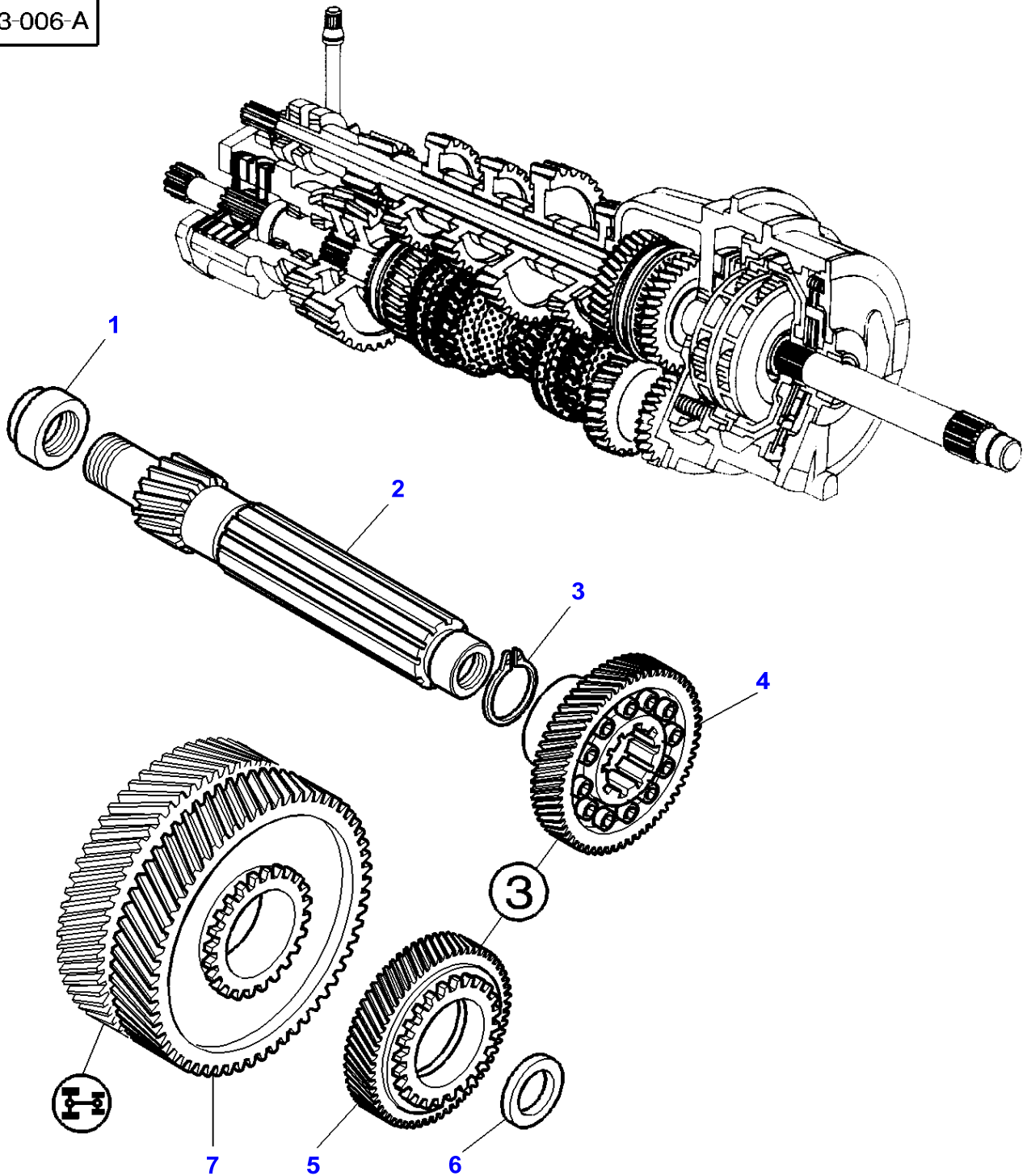
1-AE73-004-A



GEAR BOX

Item	Part Number	Qty	Description	Comments
	3715265M91	1	Parts Pack	
1	1614882M2	1	Nut	
2	355921X1	1	Ring	
3	3618968M2	1	Pinion	Number of teeth/spines 43
4	3714109M1	1	Pinion	Number of teeth/spines 17
5	3042846M1	2	Shim	Thickness 0,20 MM
	3042847M1	2	Shim	Thickness 0,40 MM
	3042848M2	2	Shim	Thickness 1 MM

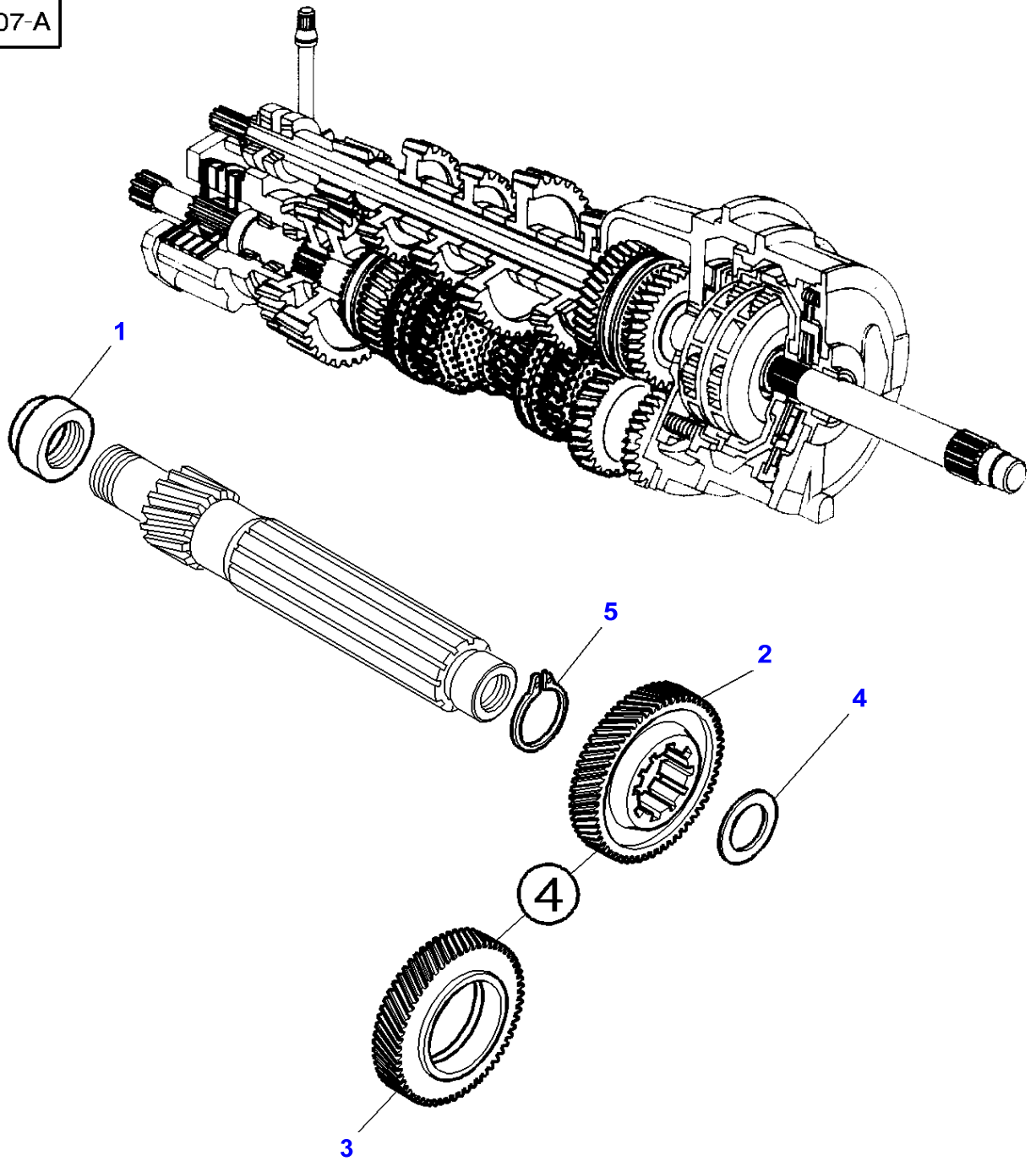
1-AE73-006-A



GEAR BOX

Item	Part Number	Qty	Description	Comments
	3715266M91	1	Parts Pack	
1	1614882M2	1	Nut	
2	3715132M1	1	Shaft	Number of teeth/spines 19
3	355921X1	1	Ring	
4	3715225M91	1	Pinion	Number of teeth/spines 35
5	3715138M1	1	Pinion	Number of teeth/spines 30
6	3042846M1	2	Shim	Thickness 0,20 MM
	3042847M1	2	Shim	Thickness 0,40 MM
	3042848M2	2	Shim	Thickness 1 MM
7	3715136M91	1	Pinion	Number of teeth/spines 46

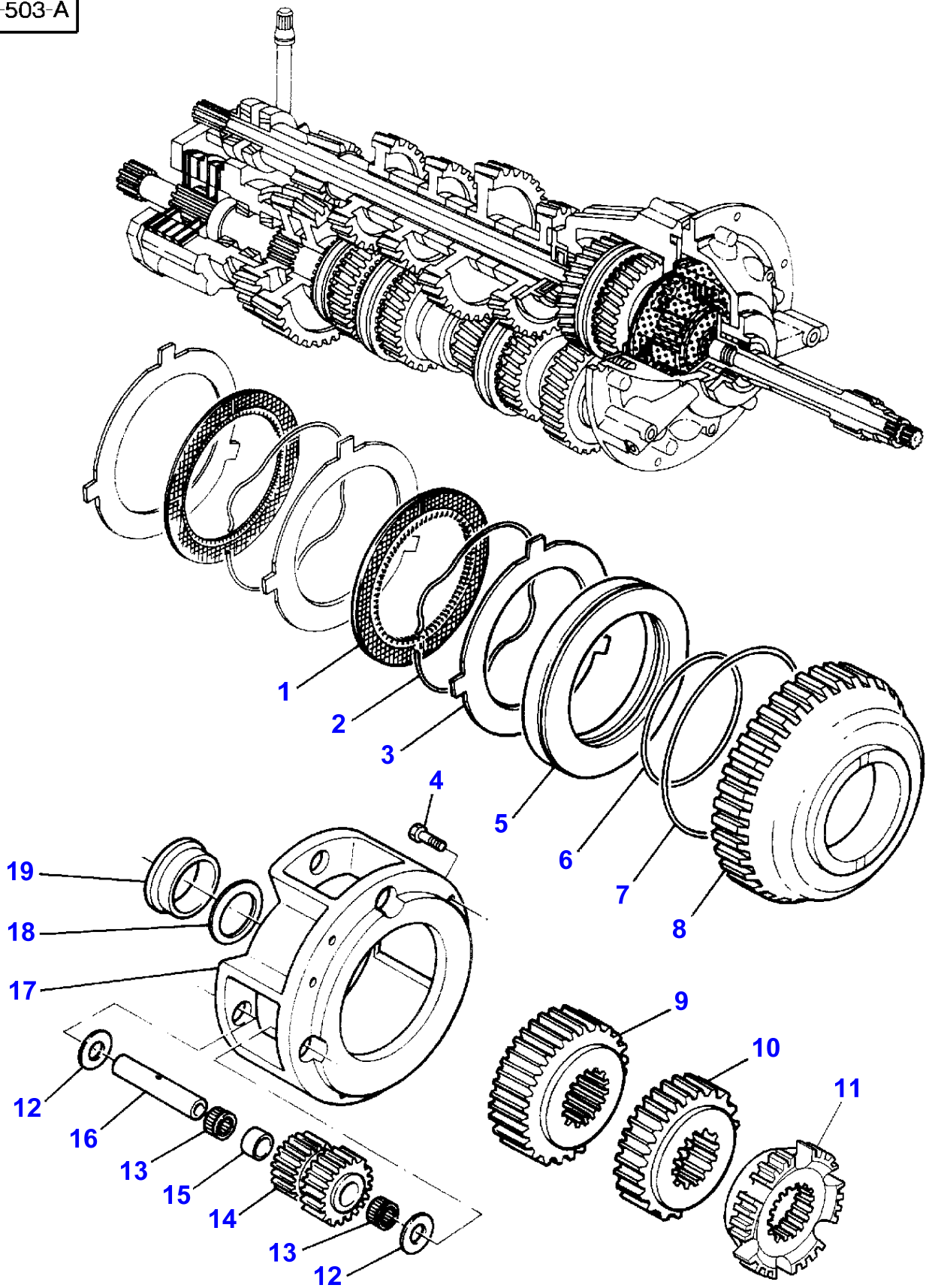
1-AE73-007-A



GEAR BOX

Item	Part Number	Qty	Description	Comments
	3715302M91	1	Parts Pack	
1	1614882M2	1	Nut	
2	3617272M2	1	Pinion	Number of teeth/spines 30
3	3617281M92	1	Pinion	Number of teeth/spines 35
4	3042846M1	2	Shim	Thickness 0,20 MM
	3042847M1	2	Shim	Thickness 0,40 MM
	3042848M2	2	Shim	Thickness 1 MM
5	355921X1	1	Ring	

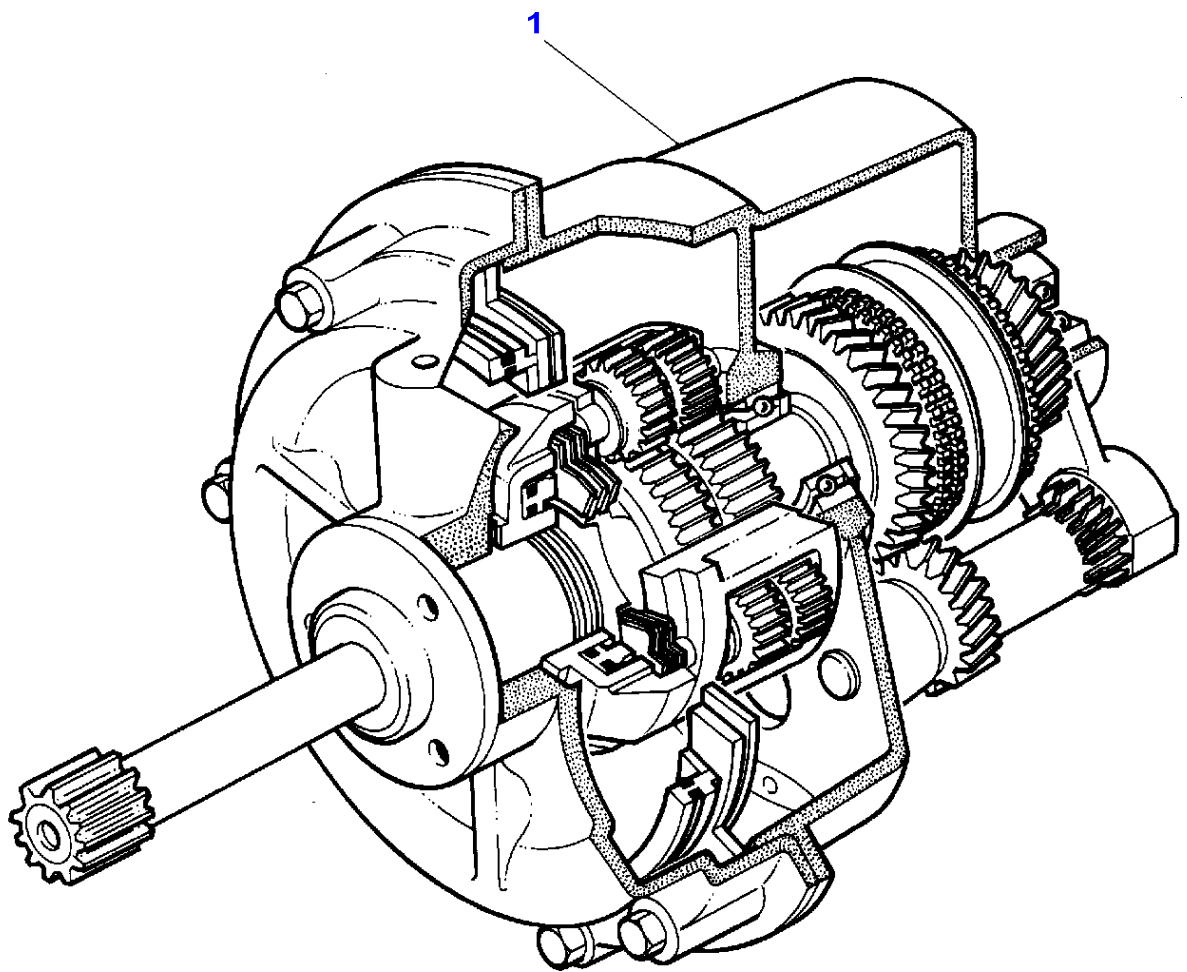
1-AE58-503-A



16 SPEED MARK 3 TRANSMISSION-GAMMA 2 CLUTCH AND REDUCER

Item	Part Number	Qty	Description	Comments
	3618331M12	1	Kit, Repair	30 KM/H
	3618332M12	1	Kit, Repair	40 KM/H
1	3381495M1	2	Clutch Disc	
2	1660406M1	2	Spring	
3	3382241M1	3	Plate	
4	3009282X1	6	Screw	M6x25
5	3388024M1	1	Piston	
6	3388110M1	1	O Ring	
7	3388111M1	1	O Ring	
8	3583407M2	1	Cover	
9	3581486M1	1	Pinion	Number of teeth/spines 39
10	3581485M1	1	Pinion	Number of teeth/spines 36
11	3712140M1	1	Hub	
12	3388105M1	6	Washer	
13	3388108M1	6	Needle Cage	
14	3581483M1	3	Diff Pinion	Number of teeth/spines 18/21
15	3581489M1	3	Spacer	
16	3581484M1	3	Clevis Pin	
17	3583414M2	1	Carrier	
18	3582002M1	1	Chock	Thickness 1,4 MM
	3582008M1	1	Chock	Thickness 1,85 MM
	3582009M1	1	Chock	Thickness 2,30 MM
	3582010M1	1	Chock	Thickness 2,75 MM
	3582396M1	1	Chock	Thickness 3,20 MM
19	3581578M1	1	Bush	

1-AE91-503-A



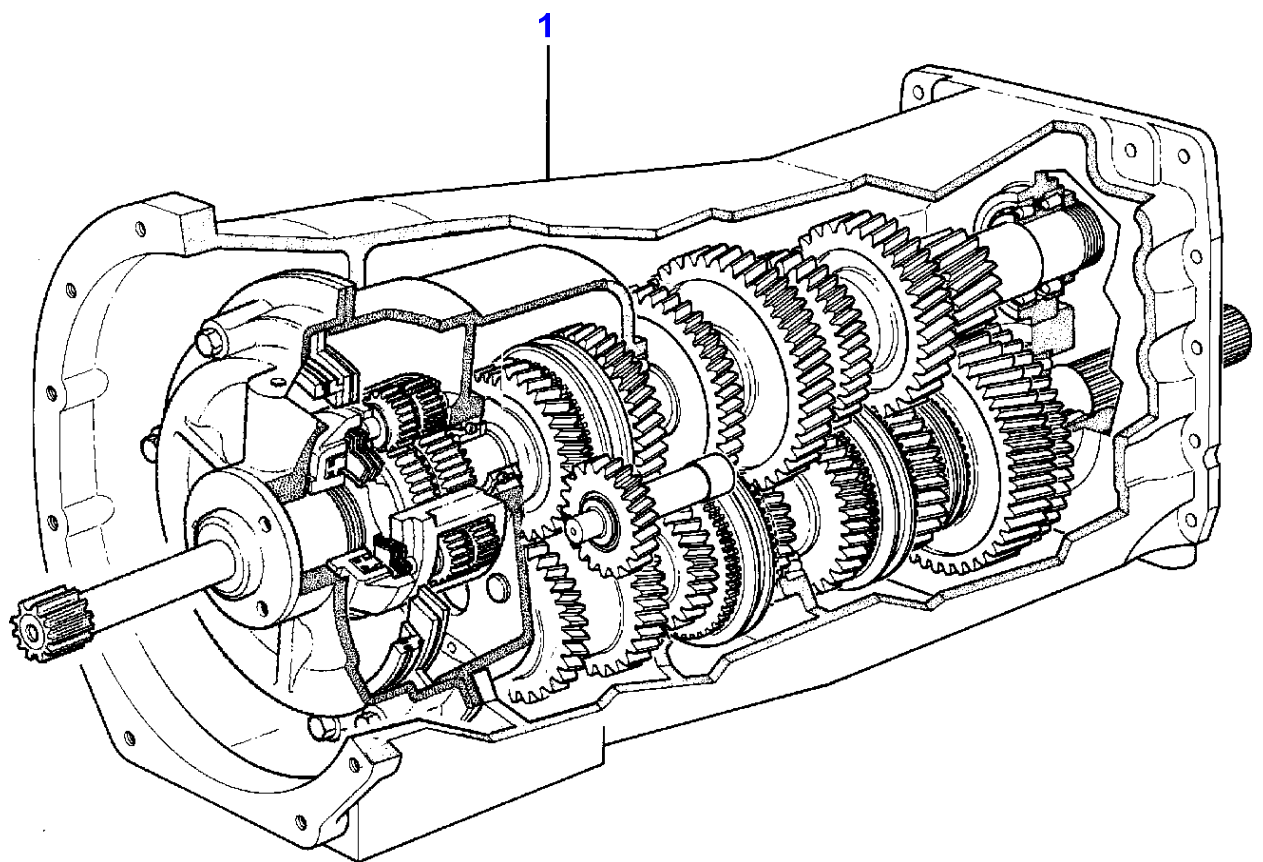
MASSEY FERGUSON**MF 3690 TRACTOR - 1637223****1637223****TRANSMISSION-SPEEDSHIFT****484**

Item	Part Number	Qty	Description	Comments
1	3616408M11	1	Gear Case Assy.	30-40 KM/H 3616408M91
1	2191924M91	1	Gear Case Assy.	40 KM/H

[A]
TRANSMISSION 16 SPEED

[B]
TRANSMISSION 8 SPEED

1-AE73-008-A

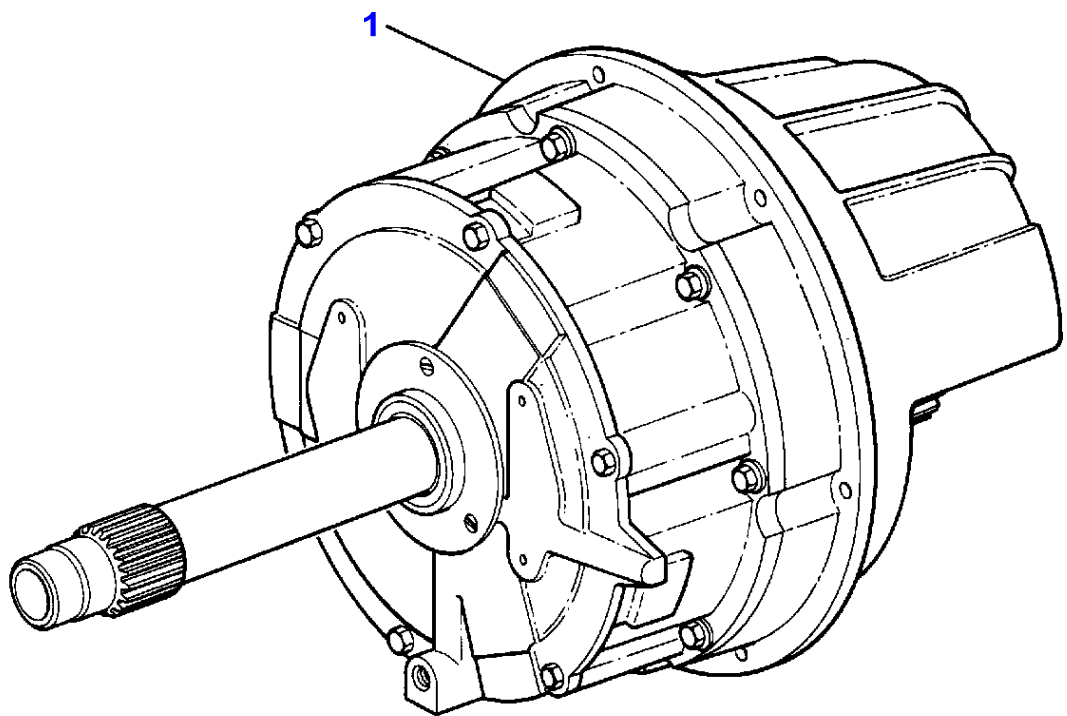


MASSEY FERGUSON**MF 3690 TRACTOR - 1637223****1637223****485****GEAR BOX**

Item	Part Number	Qty	Description	Comments
1	3616441M10	1	Gearbox	[A] 30 KM/H
1	2191923M91	1	Gearbox	[A] 40 KM/H

[A]
FOR SPEEDSHIFT

1-AF28-509-A



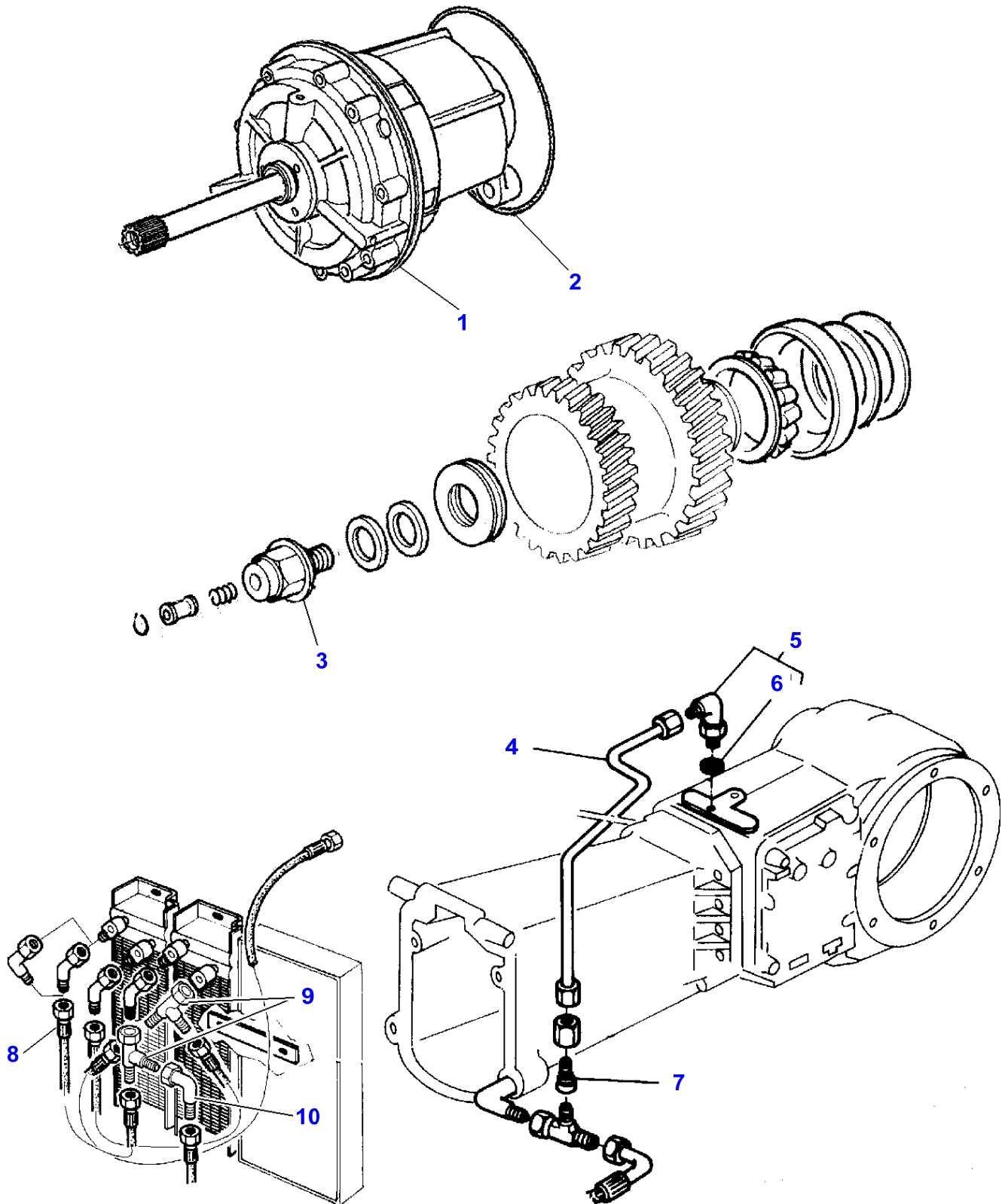
MASSEY FERGUSON**MF 3690 TRACTOR - 1637223****1637223****DYNASHIFT****486**

Item	Part Number	Qty	Description	Comments
1	3617844M13	1	Gear Case Assy.	3617844M0B

[A]
SINGLE CLUTCH

[B]
DUAL CLUTCH

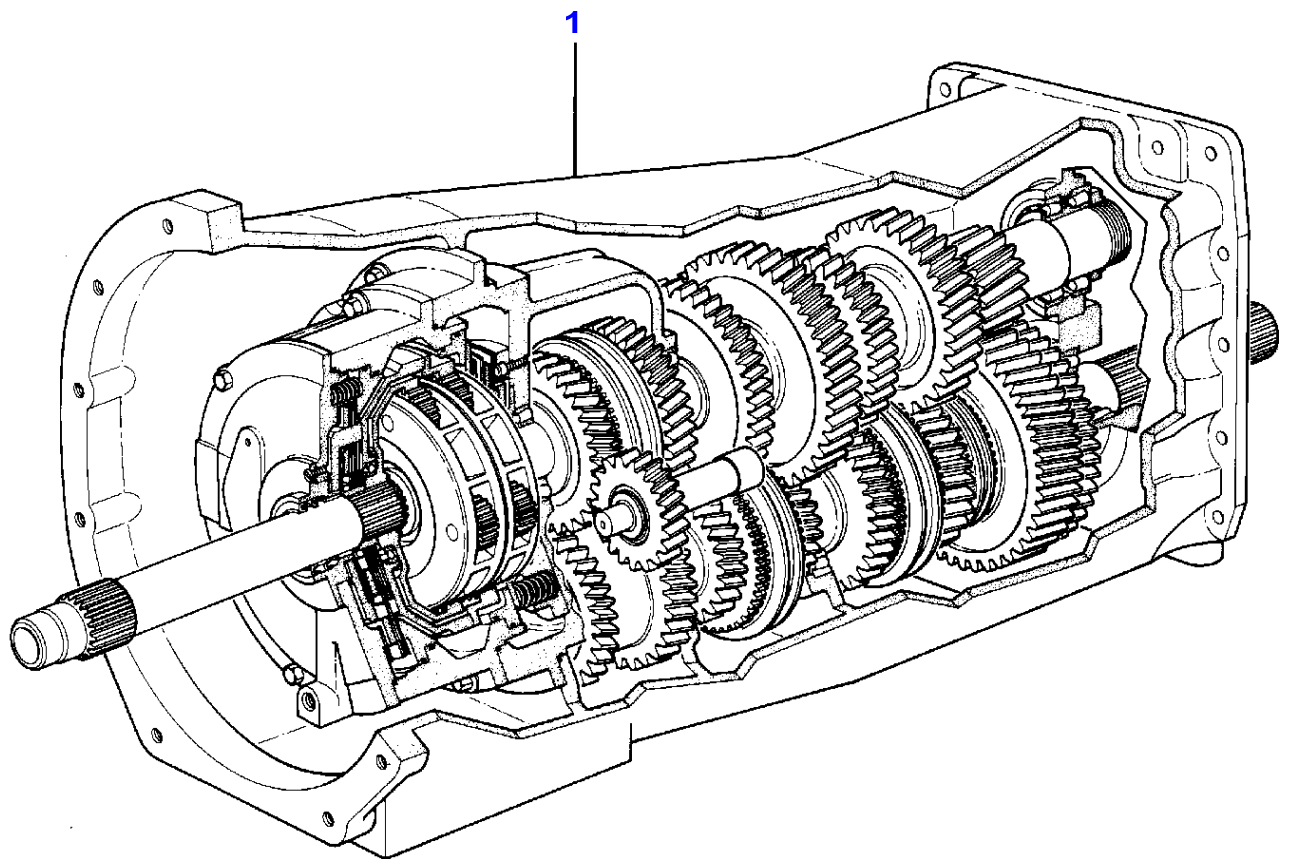
1-AF28-512-A



DYNASHIFT

Item	Part Number	Qty	Description	Comments
	3902199M11	1	Kit, Repair	
1	3617844M13	1	Gear Case Assy.	3617844M0B
2	3388928M1	1	O Ring	
3	3617762M3	1	Screw	
4	3619486M92	1	Tube	
5	3619500M1	1	Union	
6	3019394X1	1	O Ring	(5)
7	356627X1	1	Adaptor	
8	3385555M1	1	Hydr Hose	
9	364704X1	2	Teepiece	
10	373784X1	1	Elbow	

1-AF27-503-A



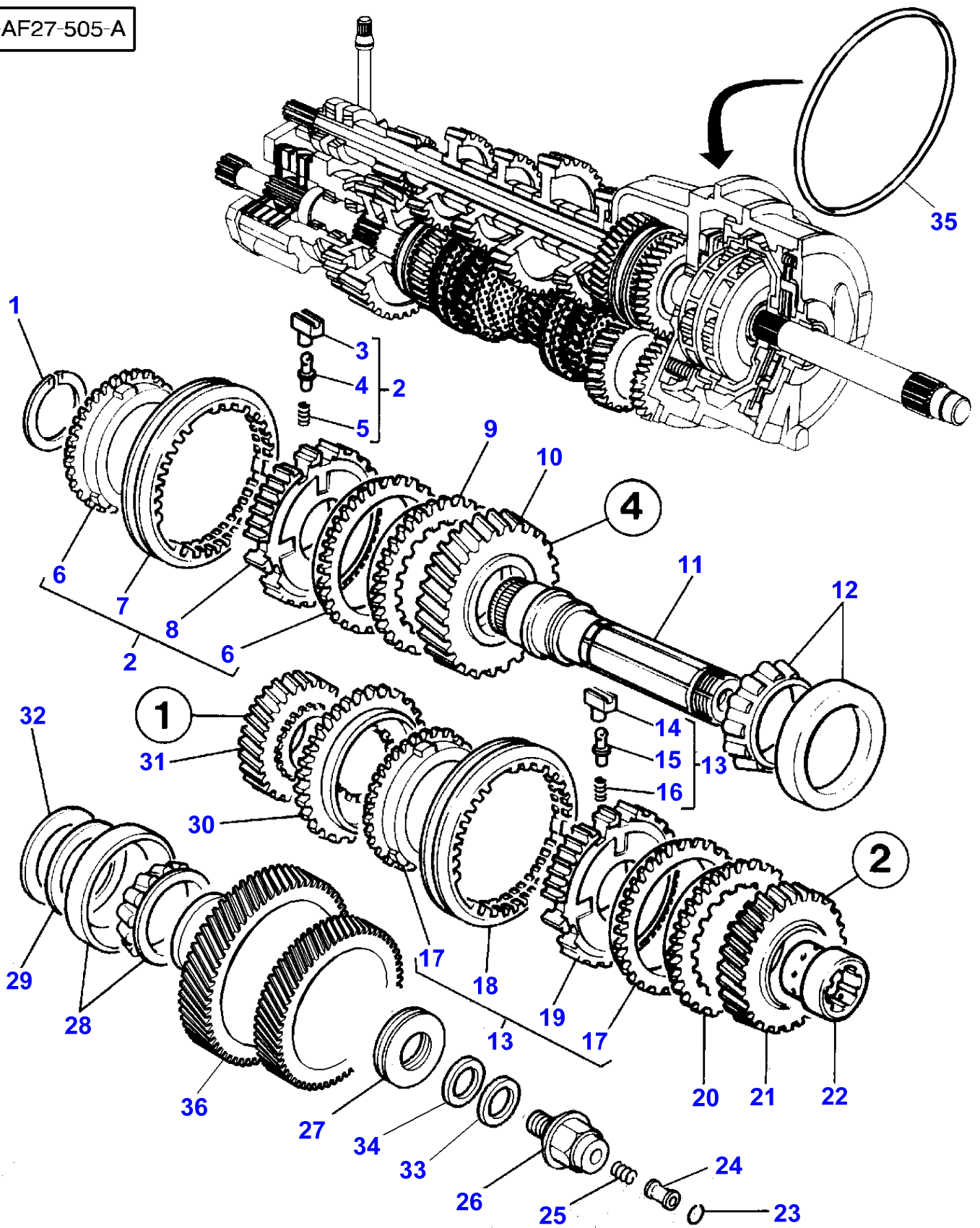
MASSEY FERGUSON**MF 3690 TRACTOR - 1637223****1637223****TRANSMISSION-DYNASHIFT****488**

Item	Part Number	Qty	Description	Comments
1	3617751M14	1	Gear Case Assy.	8 MECA.X4PS 3617751M0C

[A]
WITH SINGLE CLUTCH

[B]
WITH DUAL CLUTCH

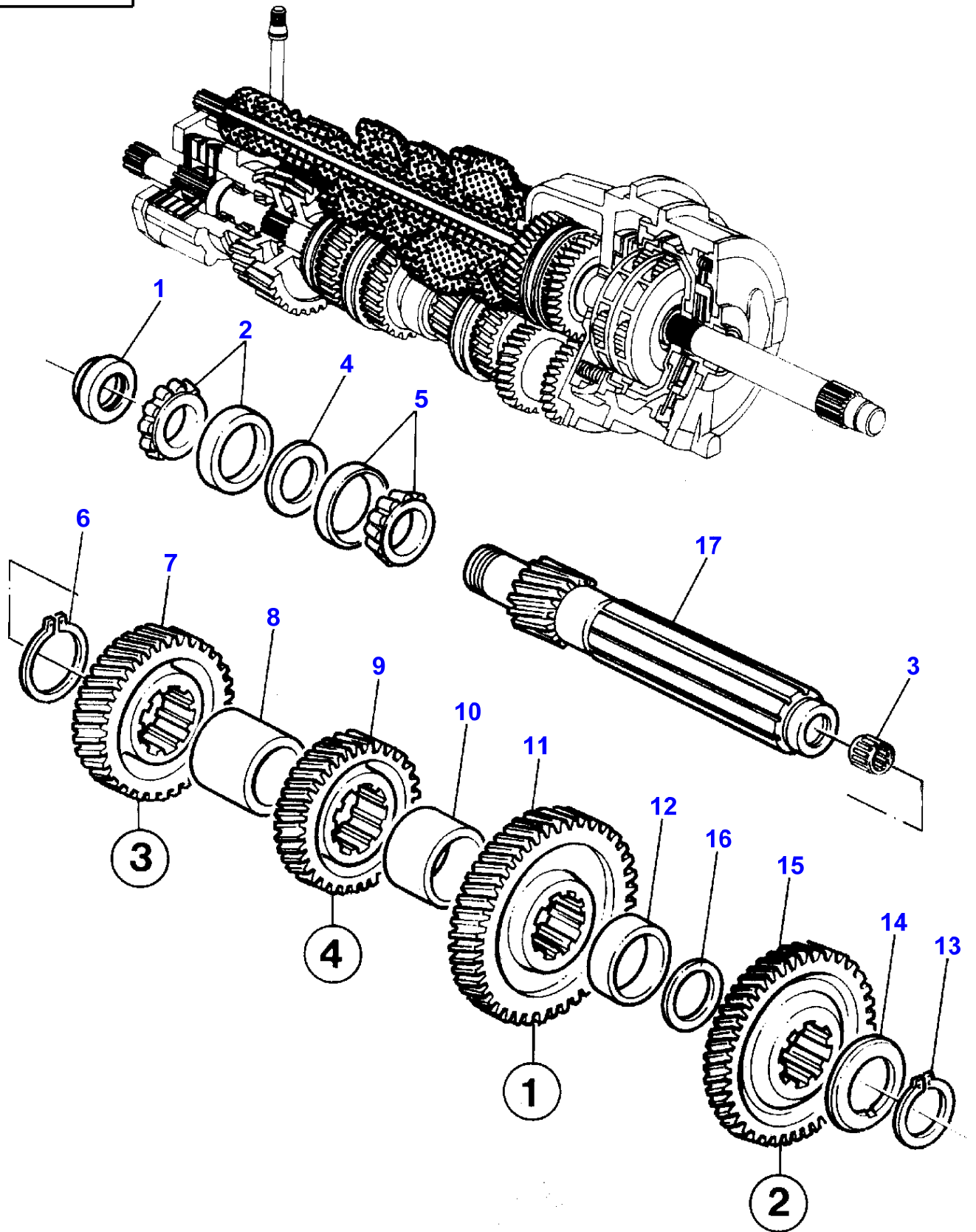
1-AF27-505-A



TRANSMISSION-DYNASHIFT

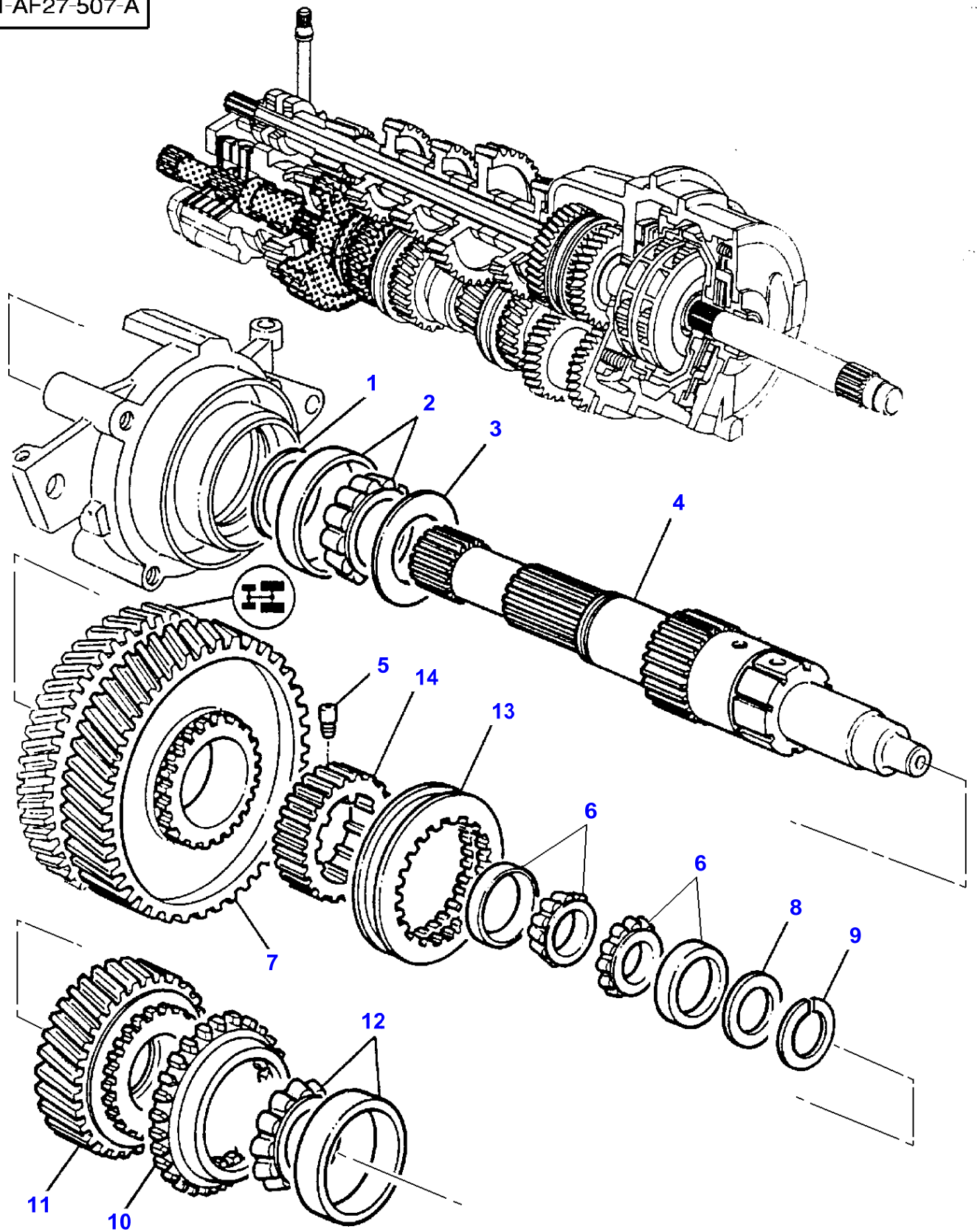
Item	Part Number	Qty	Description	Comments
	3714602M11	1	Kit, Repair	
1	1444488X1	1	Ring	
2	3616410M91	1	Synchro Gear	
3	3618170M1	3	Poppet	(2)
4	3386520M1	3	Ball	(2) 3385894M1
5	3386519M1	3	Spring	(2) 3385892M1
6	3618168M1	2	Ring	(2)
7	3618169M1	1	Slider Bearing	(2)
8	3616324M1	1	Hub	(2)
9	3617219M1	1	Ring	
10	3617281M92	1	Pinion	Number of teeth/spines 35
11	3713477M1	1	Shaft	
12	968634M91	1	Bearing Assy	Alternative 3010192X91
	3010192X91	1	Bearing Taper	Alternative 968634M91
13	3616592M91	1	Synchro Gear	
14	3618170M1	3	Poppet	(13)
15	3386520M1	3	Ball	(13) 3385894M1
16	3386519M1	3	Spring	(13) 3385892M1
17	3618168M1	2	Ring	(13)
18	3618169M1	1	Slider Bearing	(13)
19	3616516M1	1	Hub	(13)
20	3617219M1	1	Ring	
21	3619034M92	1	Pinion	Number of teeth/spines 24
22	3616519M1	1	Bush	
23	3382831M1	1	Segment	
24	3385884M1	1	Tube	
25	3382828M1	1	Spring	
26	3713479M1	1	Screw	
27	3713478M1	3	Washer	
28	968634M91	1	Bearing Assy	Alternative 3010192X91
	3010192X91	1	Bearing Taper	Alternative 968634M91
29	3383171M1	1	Chock	Thickness 0,05MM
	3380040M1	1	Shim	Thickness 0,10MM
	3380041M1	1	Shim	Thickness 0,30MM
	3380042M1	1	Shim	Thickness 0,50MM
30	3616827M2	1	Ring	
31	3618163M93	1	Pinion	Number of teeth/spines 17
32	3383164M1	1	Washer	
33	3713480M1	1	Chock	Thickness 0,25MM
	3713481M1	1	Chock	Thickness 0,5MM
34	3713483M1	1	Washer	
35	3388928M1	1	O Ring	
36	3618975M3	1	Pinion	Number of teeth/spines 28/29

1-AF27-506-A



Item	Part Number	Qty	Description	Comments
REPAIR KIT 3714602M11 (CONTINUED)				
1	1614882M2	1	Nut	
2	3405345M91	1	Bearing Taper	
3	1441835X1	1	Bearing Assy	
4	3041853M3	1	Shim	Thickness 4,46MM
5	968636M91	1	Bearing Assy	
6	355921X1	1	Ring	
7	3619569M2	1	Pinion	Number of teeth/spines 35
8	3380192M2	1	Spacer	
9	3617272M2	1	Pinion	Number of teeth/spines 30
10	3583478M1	1	Spacer	
11	3618162M2	1	Pinion	Number of teeth/spines 43
12	3042898M1	1	Spacer	
13	831180M1	1	Ring	
14	3042866M1	1	Washer	
15	3618998M2	1	Pinion	Number of teeth/spines 40
16	3042846M1	1	Shim	Thickness 0,20 MM
	3042847M1	1	Shim	Thickness 0,40 MM
	3042848M2	1	Shim	Thickness 1MM
17	3616227M2	1	Shaft	

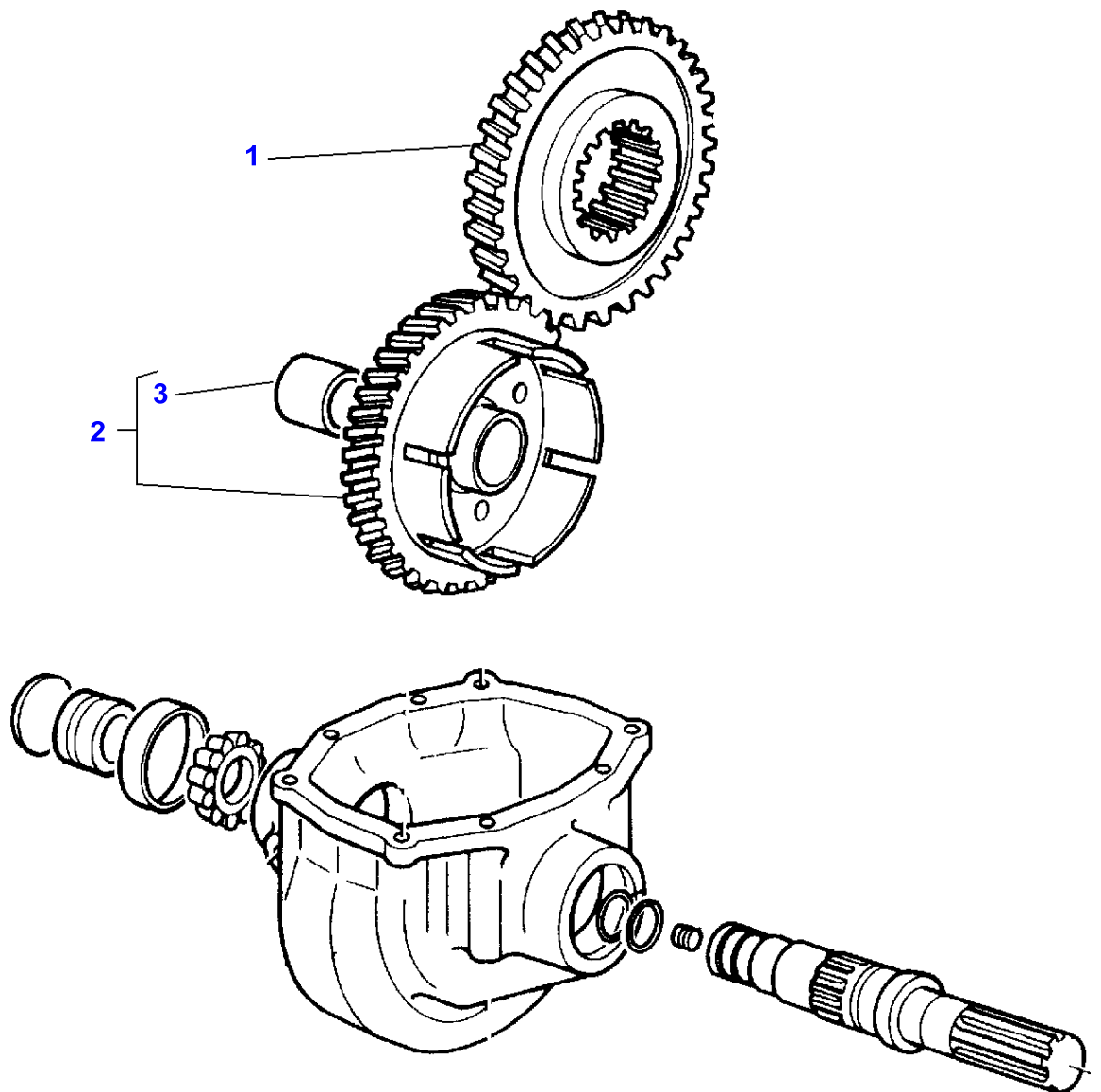
1-AF27-507-A



TRANSMISSION-DYNASHIFT - REPAIR KIT 3714602M11 (CONTINUED)

Item	Part Number	Qty	Description	Comments
REPAIR KIT 3714602M11 (CONTINUED)				
1	3616313M1	1	Chock	Thickness 0,05MM
	3616312M1	1	Chock	Thickness 0,1MM
	3616311M1	1	Chock	Thickness 0,3MM
	3616310M1	1	Chock	Thickness 0,5MM
	3616309M1	1	Chock	Thickness 0,9MM
	3616308M1	1	Chock	Thickness 2MM
2	3010129X91	1	Bearing Taper	
3	3616280M1	1	Washer	
4	3618090M1	1	Shaft	
5	3385635M2	1	Pin	
6	3010058X91	2	Bearing Taper	
7	3615837M91	1	Pinion	Number of teeth/spines 48
8	3714505M1	1	Chock	Thickness 5,40 MM
	3618094M1	1	Chock	Thickness 5,45MM
	3618171M1	1	Chock	Thickness 5,50MM
	3618095M1	1	Chock	Thickness 5,55MM
	3618172M1	1	Chock	Thickness 5,60MM
	3618096M1	1	Chock	Thickness 5,65MM
9	3617884M1	1	Segment	
10	3617219M1	1	Ring	
11	3619568M2	1	Pinion	Number of teeth/spines 30
12	3010118X91	1	Bearing Taper	
13	3385628M2	1	Coupler	
14	1619205M2	1	Hub	

1-AF27-508-A



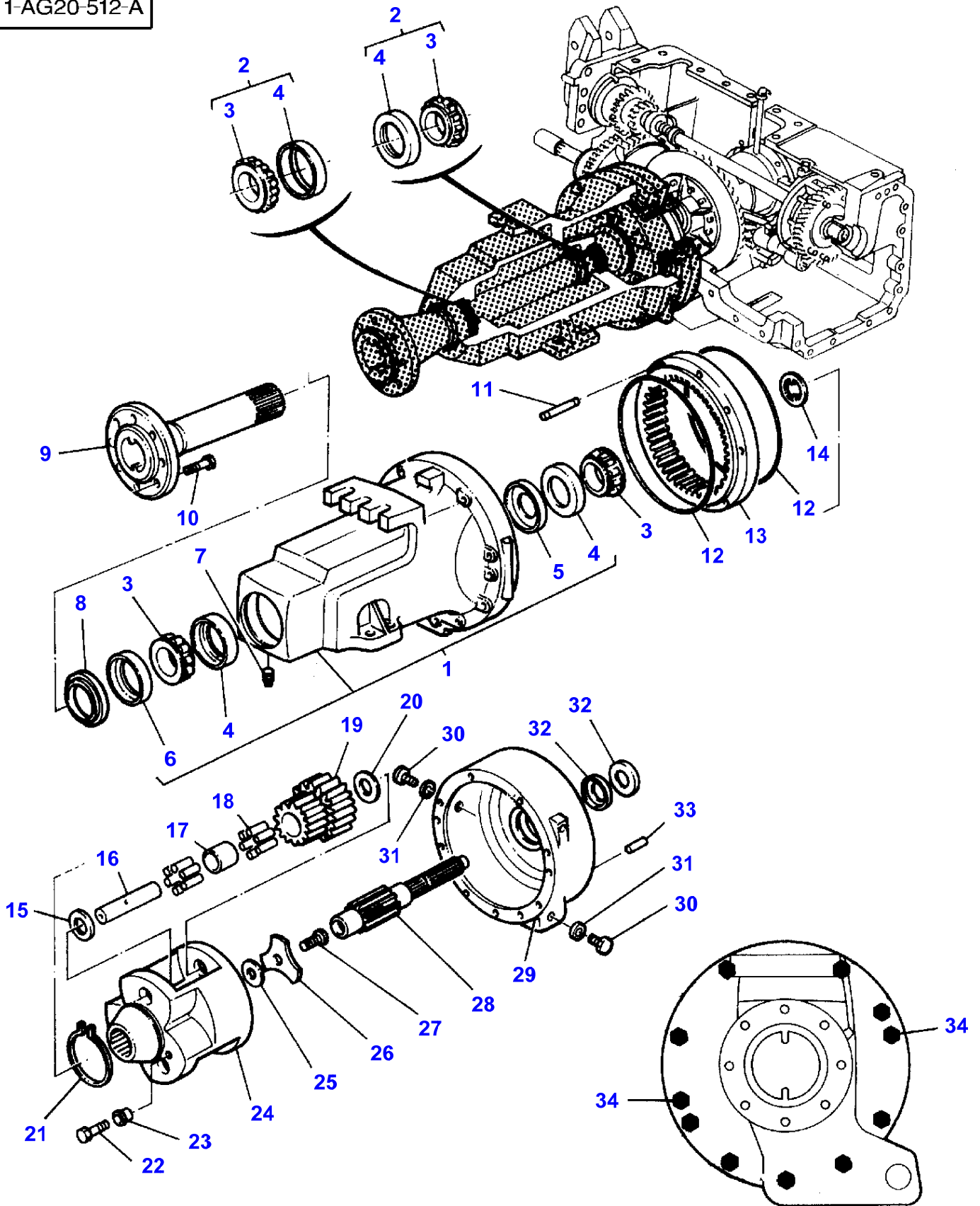
MASSEY FERGUSON**MF 3690 TRACTOR - 1637223****1637223****TRANSMISSION-DYNASHIFT - REPAIR KIT 3714602M11 (CONTINUED)****492**

Item	Part Number	Qty	Description	Comments
				REPAIR KIT 3714602M11 (CONTINUED)
1	3615823M1	1	Pinion	Number of teeth/spines 48
2	3615664M91	1	Pinion	Number of teeth/spines 47
3	3387727M1	1	Bush	(2)

TRANSFER GEAR BOX-4 WHEEL DRIVE - 6 DISCS

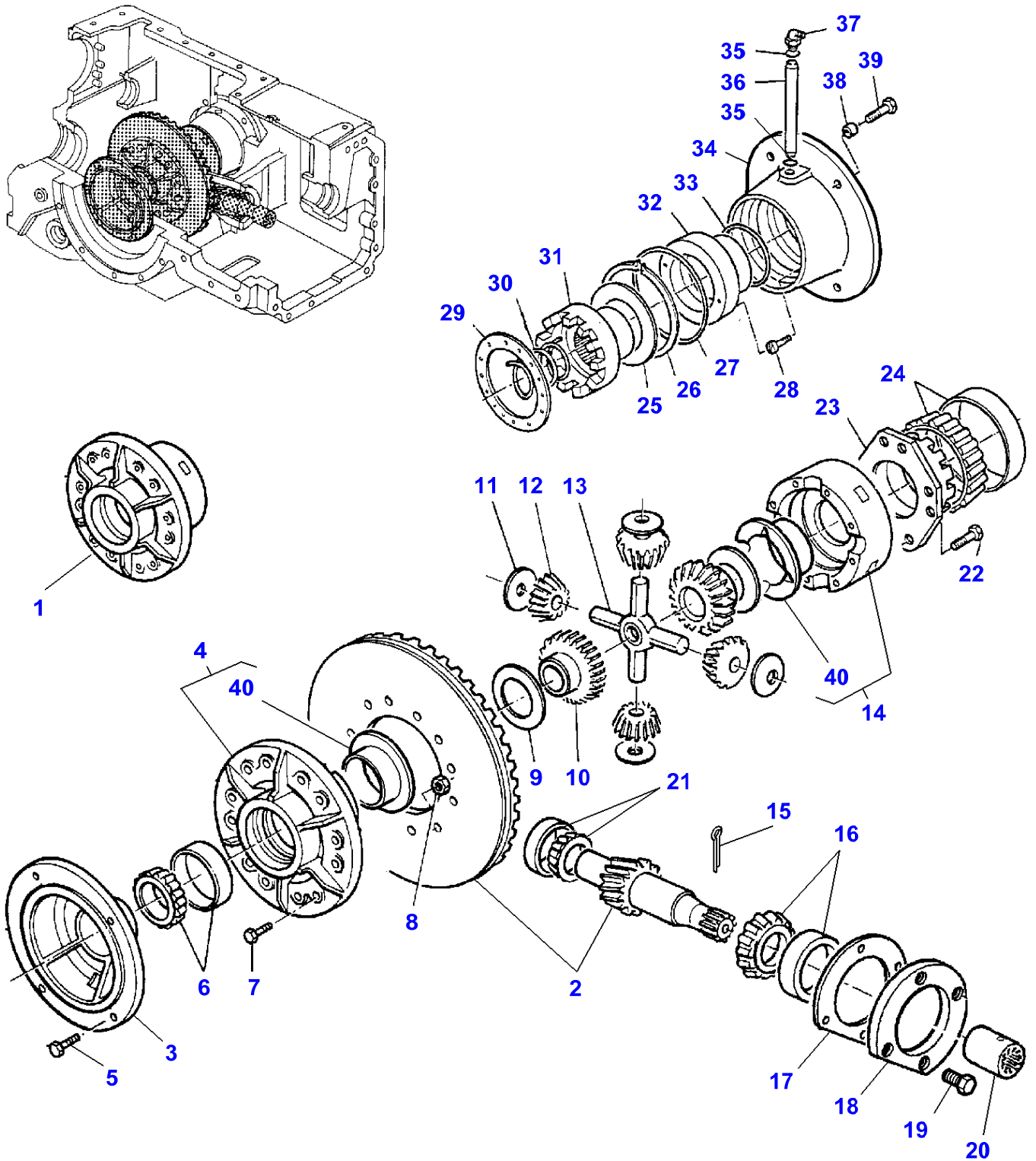
Item	Part Number	Qty	Description	Comments
				6 DISCS
	3715454M11	1	Parts Pack	
1	339481X1	1	Bearing Taper	
2	3713553M1	1	Chock	Thickness 1,4 MM
	3713554M1	1	Chock	Thickness 1,7 MM
	3387182M1	1	Chock	Thickness 0,6MM
	3033343M1	1	Shim	Thickness 0,8MM
3	3615664M91	1	Pinion	Number of teeth/spines 47
4	3387727M1	1	Bush	(3)
5	1440533X1	1	Circlip	
6	3583586M2	1	Tray	
7	3616400M2	6	Disc	
8	3384488M1	5	Tray	
9	3384414M2	1	Housing	
10	3619147M1	2	Cup Spring	Repairs and replaces 3384500M1
11	3384524M1	2	O Ring	
12	3583585M1	1	Hub	
13	3384427M1	1	Cover	
14	3000705X1	1	Pin	
15	953767M1	1	Bush	
16	1441403X1	1	Circlip	
17	3384523M1	1	O Ring	
18	3385794M13	1	Case Assy	3385794M93
19	3019379X91	1	Union	(18)
20	3019395X1	1	O Ring	(19)
21	3382868M1	1	Bush	(18)
22	3019379X91	1	Union	
23	3019395X1	1	O Ring	(22)
24	180474M1	1	Gasket	
25	3429400M1	1	Plug	Repairs and replaces 884691M2
26	3384499M1	1	Cap	
27	1009659M1	1	O Ring	
28	1440913X1	1	Segment	
29	390238X1	1	Plug	
30	3382874M1	2	Segment	
31	3385817M12	1	Shaft	3385817M92
32	356039X1	1	Plug	(31) 365332X1
33	3386061M1	1	Shim	Thickness 0,5MM
	3386062M1	1	Shim	Thickness 0,1MM
	3387129M1	1	Shim	Thickness 0,3MM
34	339481X1	1	Bearing Taper	
35	3384503M1	1	Seal	

1-AG20-512-A



Item	Part Number	Qty	Description	Comments
				WITH COMPOSITE REDUCER 95 MM WHEEL DRIVE
	3715205M11	1	Parts Pack	N
	3715450M11	1	Parts Pack	M
1	3615730M11	1	Axle Housing	N
				3615730M91
1	3615729M11	1	Axle Housing	M
				3615729M91
2	3383709M1	2	Bearing Taper	(1)
3		1	Bearing Cone	(2)
				Not serviced, order REF. 2
4		1	Cone Cup	(2)
				Not serviced, order REF. 2
5	3580621M1	1	Seal	(1)
6	3580619M2	1	Dust Shield	(1)
7	355547X1	1	Plug	
8	3583530M2	1	Seal	
9	3583795M3	1	Shaft	
10	3384601M3	8	Stud	M18x100
11	3615934M1	1	Clevis Pin	
12	3010064X1	2	O Ring	
13	3583791M1	1	Crownwheel	
14	3580458M1	1	Washer	Diameter 95,4 MM
15	3615201M1	3	Stop	Thickness 0,45/0,55 M
	3615202M1	3	Stop	Thickness 1,45/1,55 M
	3615200M1	3	Stop	Thickness 3,45/3,55 M
16	3615147M1	3	Clevis Pin	
17	3615182M1	3	Bush	
18	3616525M1	108	Needle	
19	3583790M1	3	Diff Pinion	
20	3615200M1	3	Stop	
21	3615183M1	1	Ring	
22	353693X1	1	Screw Unc	Diameter 3/8"-16 Length 32 MM
23	3046114M1	1	Bush	
24	3583792M2	1	Carrier	
25	519954M1	1	Shim	Thickness 0,05 MM
	519955M1	1	Shim	Thickness 0,13 MM
	519956M1	1	Shim	Thickness 0,25 MM
	519957M1	1	Shim	Thickness 0,45 MM
26	3580436M1	1	Washer	
27	3008654X1	1	Screw	M20x45
28	3583789M1	1	Planet	
29	3616545M2	1	Spacer	N
	3616544M2	1	Spacer	M
30	3583993M1	2	Plug	
31	3019397X1	2	O Ring	
32	3582195M1	2	Seal	
33	1612150M1	1	Clevis Pin	
34	354671X1	2	Screw	Diameter 1/2"-13 Length 127 MM

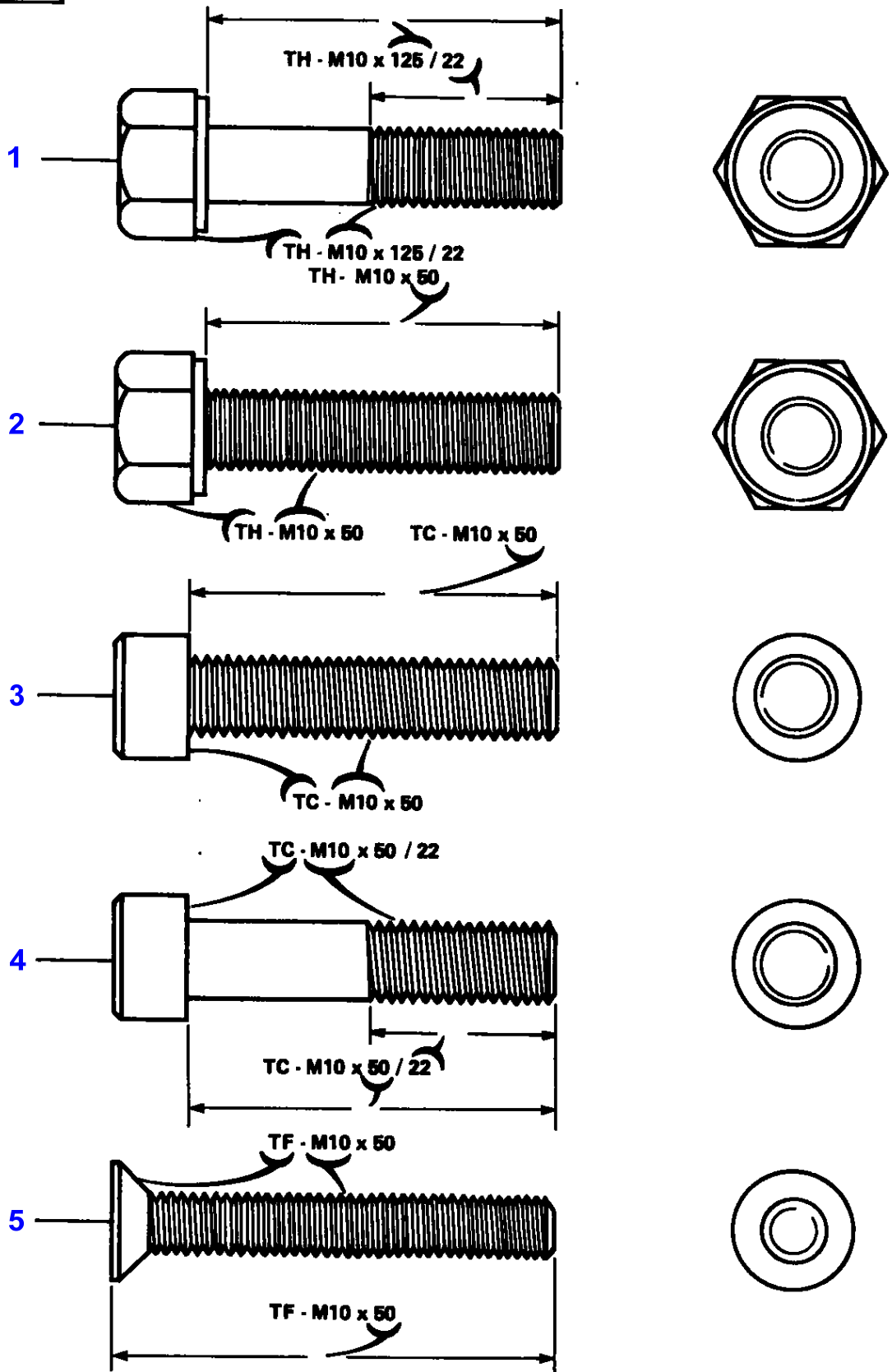
1-AG22-503-B



REAR AXLE DIFFERENTIAL-WITH HYDROMECHANICAL LOCK

Item	Part Number	Qty	Description	Comments
	3715292M11	1	Kit,Differential	9x41
	3715293M11	1	Kit,Differential	9x44
1	3042578M91	1	Housing	Up to Serial or Engine Number E163033
	3714981M11	1	Kit, Wobble Box	From Serial or Engine Number E163034
2	3615328M91	1	Kit, Bevel Gear	9x41
	3380465M92	1	Kit, Bevel Gear	9x44
3	3383364M1	1	Support	
4		1	Housing	(1) Not serviced, order REF. 1
5	832566M1	8	Screw	
6	1851533M91	1	Bearing Assy	
7	825776M1	12	Screw Special	
8	891947M1	12	Nut Special	
9	3387282M1	2	Washer	Up to Serial or Engine Number E163033
10	885518M1	2	Gear	
11	3387281M1	4	Washer	
12	2746322M1	4	Pinion	
13	2746135M2	1	Crosspiece	
14		1	Housing	(1) Not serviced, order REF. 1
15	375094X1	1	Pin	
16	3009106X91	1	Bearing Taper	
17	1610280M1	1	Shim	Thickness 0,457MM
	1610281M1	1	Shim	Thickness 0,254MM
	1610282M1	1	Shim	Thickness 0,127MM
	1610283M1	1	Shim	Thickness 0,005MM
18	1610270M2	1	Plate	
19	832566M1	4	Screw	Diameter 1/2" Length 38MM
20	1626464M3	1	Sleeve	
21	3405249M91	1	Bearing Taper	
22	362782X1	8	Screw	Diameter 1/2"-13 Length 102 MM
23	3382476M1	1	Coupling	
24	1850909M91	1	Bearing Assy	
25	3715419M1	1	Washer	
26	356005X1	1	Clip	
27	359118X1	1	O Ring	
28	3382377M1	1	Centraliser	
29	521401M1	1	Shim	Thickness 0,61-0,66MM
	187689M1	1	Shim	Thickness 0,73-0,78MM
	892173M1	1	Shim	Thickness 0,864-0,914
	892172M1	1	Shim	Thickness 0,991-1,041
	892171M1	1	Shim	Thickness 1,118-1,168
	892170M1	1	Shim	Thickness 1,245-1,295
	191124M1	1	Shield	Thickness 1,37-1,42MM
	191125M1	1	Shim	Thickness 1,49-1,54MM
30	3382481M2	1	Spring	
31	3382477M3	1	Coupling	
32	3382480M1	1	Piston	
33	152613M1	1	O Ring	
34	3385687M1	1	Support	
35	377494X1	2	O Ring	
36	3385685M2	1	Tube	
37	3385713M91	1	Union	
38	1611422M1	1	Bush	
39	832566M1	8	Screw	
40	3714282M1	2	Washer	(1) From Serial or Engine Number E163034

1-9895-002



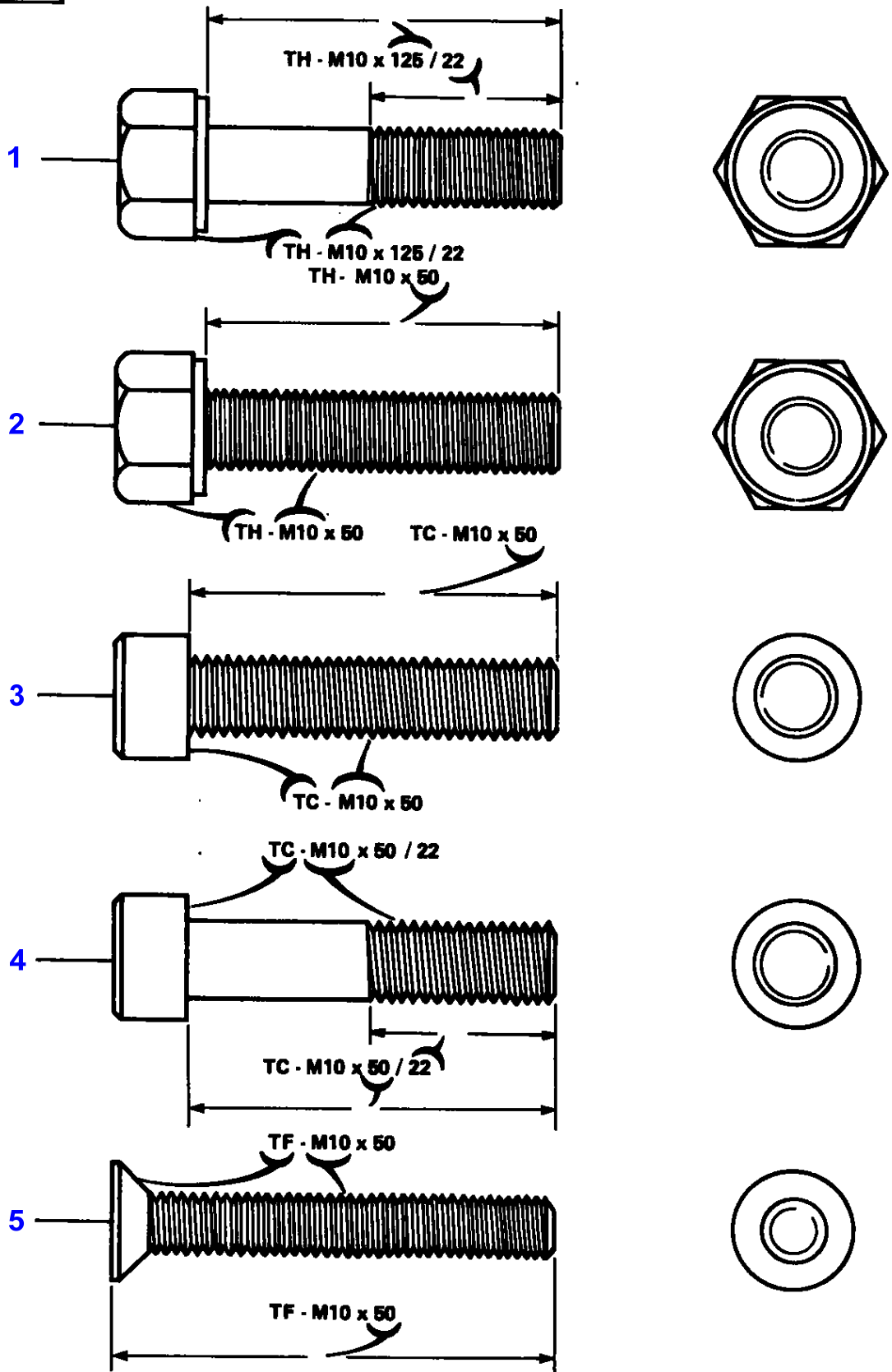
BOLTS

Item	Part Number	Qty	Description	Comments
1	339009X1	X	Bolt Metric	TH-M8X35/22
	339010X1	X	Bolt Metric	TH-M8X40/22
				Not serviced, order 391176X1
1	339011X1	X	Bolt Metric	TH-M8X45/22
	339019X1	X	Bolt Metric	TH-M8X50/26
	339136X1	X	Bolt	TH-M8X90/22
	339168X1	X	Bolt Metric	TH-M8X50/22
	339229X1	X	Bolt Metric	TH-M6X40/18
	339234X1	X	Bolt Metric	TH-M10X120/26
	339244X1	X	Bolt Metric	TH-M6X55/18
	339262X1	X	Bolt Metric	TH-M6X30/18
	339368X1	X	Bolt Metric	TH-M8X60/22
	339475X1	X	Bolt Metric	TH-M10X70/26
	339557X1	X	Screw	TH-M8X120/22
	339679X1	X	Bolt Metric	TH-M10X60/26
	339881X1	X	Bolt Metric	TH-M16X60/38
	353546X1	X	Screw	TH-5/16NF51/25
	353561X1	X	Screw Unf	TH-5/8NF102/38
	353615X1	X	Bolt Unf	TH-5/8NFX51/38
	353725X1	X	Bolt Unc	TH-1/2NCX44/32
				Not serviced, order 362523X1
1	353728X1	X	Bolt Unc	TH-5/8NCX50/38
	353729X1	X	Bolt Unc	TH-5/8NCX63/38
	353898X1	X	Screw	TH-3/8NCX83/25
	354262X1	X	Bolt Unc	TH-3/8NCX38/25
	354264X1	X	Bolt Unc	TH-3/8NCX44/25
	354267X1	X	Bolt Unc	TH-3/8NCX57/25
	354273X1	X	Bolt Unc	TH-3/8NCX76/25
	354493X1	X	Screw	TH-1/4NFX70/38
	354604X1	X	Bolt Unc	TH-1/4NCX54/19
	354628X1	X	Screw	TH-3/8NCX89/25
	354629X1	X	Bolt Unc	TH-3/8NCX92/25
	354630X1	X	Screw	TH-3/8NCX95/25
	354649X1	X	Bolt Unc	TH-1/2NCX57/32
	354653X1	X	Screw	TH-1/2NCX70/32
	354655X1	X	Bolt Unc	TH-1/2NCX76/32
	354663X1	X	Screw	TH-1/2NC102/32
	354726X1	X	Bolt Unc	TH-3/4NC102/44
	357002X1	X	Screw	TH-7/8NC108/51
	357041X1	X	Screw	TH-1/2NC172/32
	357263X1	X	Screw	TH-1/2NC181/32
	362405X1	X	Bolt	TH-5/16NC38/23
	362487X1	X	Screw	TH-7/16NC48/28
	353725X1	X	Bolt Unc	TH-1/2NCX44/32
	362782X1	X	Screw	TH-1/2NC102/32
	362786X1	X	Screw	TH-1/2NC108/38
	368445X1	X	Screw	TH-5/8NCX70/54
	369189X1	X	Screw	TH-5/16NC38/28
	377824X1	X	Bolt Unc	TH-7/16NC35/28
				Not serviced, order 377824X1
1	377824X1	X	Bolt Unc	TH-7/16NC35/28
	390864X1	X	Bolt Metric	TH-M16X80/38
	391244X1	X	Bolt Metric	TH-M6X45/18
	391245X1	X	Bolt Metric	TH-M8X130/28
	391328X1	X	Screw Metric	TH-M20X65/46
	391870X1	X	Screw	TH-M14X1,50 X35/22
1	391884X1	X	Bolt Metric	TH-M6X50/18
	391889X1	X	Screw	TH-M16X70/38
	3010045X1	X	Screw	TH-M20X90/46
	511411M1	X	Screw	TH-3/4NC165/89
	832566M1	X	Screw	TH-1/2NCX38/22
2	339081X1	X	Screw Metric	TH-M10X20
	339123X1	X	Screw Metric	TH-M8X20
	339124X1	X	Screw Metric	TH-M8X16
	339139X1	X	Screw Metric	TH-M12X25
	339160X1	X	Screw	TH-M5X10
	339228X1	X	Screw Metric	TH-M8X12
	339230X1	X	Screw Metric	TH-M6X10
	339275X1	X	Screw Metric	TH-M16X35

BOLTS

Item	Part Number	Qty	Description	Comments
2	339287X1	X	Screw Metric	TH-M8X35
2	339337X1	X	Screw Metric	TH-M8X30
2	339401X1	X	Screw Metric	TH-M10X25
2	339451X1	X	Screw Metric	TH-M10X30
				Not serviced, order 3009493X1
2	339560X1	X	Screw Metric	TH-M6X16
2	339563X1	X	Screw Metric	TH-M5X20
2	339666X1	X	Screw Metric	TH-M6X20
2	339721X1	X	Screw Metric	TH-M5X16
2	339761X1	X	Screw Metric	TH-M8X25
2	353518X1	X	Screw Unf	TH-5/16UNFX22
2	353562X1	X	Screw Unf	TH-7/16UNFX35
2	353593X1	X	Screw Unf	TH-1/2UNFX32
2	353665X1	X	Screw Unc	TH-1/4UNCX13
2	353667X1	X	Screw Unc	TH-1/4UNCX19
2	353677X1	X	Screw Unc	TH-5/16UNCX19
2	353679X1	X	Screw Unc	TH-5/16UNCX25
2	353690X1	X	Screw Unc	TH-3/8UNCX22
2	353691X1	X	Screw Unc	TH-3/8UNCX25
2	353693X1	X	Screw Unc	TH-3/8UNCX32
2	353726X1	X	Screw Unc	TH-5/8UNCX38
2	353727X1	X	Screw Unc	TH-5/8UNCX44
2	354276X1	X	Screw Unc	TH-1/2UNCX32
2	353901X1	X	Screw Unc	TH-5/8UNCX32
2	354702X1	X	Screw	TH-3/4UNCX25
2	354704X1	X	Screw Unc	TH-3/4UNCX32
2	354708X1	X	Screw Unc	TH-3/4UNCX44
2	354710X1	X	Screw Unc	TH-3/4UNCX51
2	361526X1	X	Screw	TH-7/16UNFX25
2	362429X1	X	Screw	TH-3/8UNCX16
2	362519X1	X	Screw	TH-1/2UNCX38
2	390990X1	X	Screw Metric	TH-M5X12
2	391074X1	X	Screw Metric	TH-M6X12
2	391176X1	X	Screw Metric	TH-M8X40
2	391180X1	X	Screw	TH-M14X25
2	391246X1	X	Screw	TH-M5X8
2	391269X1	X	Screw Metric	TH-M16X30
2	391561X1	X	Screw Metric	TH-M10X45
2	395316X1	X	Bolt Metric	TH-M16X1,50X35
2	391932X1	X	Screw	TH-M10X25
2	392054X1	X	Screw	TH-M10X22
3	339367X1	X	Screw Metric	TC-M3X8
3	357834X1	X	Screw Unc	TC-1/4UNCX25
3	390962X1	X	Screw Metric	TC-M5X10
3	391148X1	X	Screw Metric	TC-M8X20
3	392409X1	X	Screw	TC-M5X6
4	357747X1	X	Screw	TC-3/8NCX51/32
4	357749X1	X	Screw Unc	TC-3/8NCX57/32
4	357750X1	X	Screw Unc	TC-3/8NCX60/32
4	357831X1	X	Screw	TC-1/4NCX57/25
4	357838X1	X	Screw Unc	TC-1/4NCX38/25
4	357884X1	X	Screw	TC-3/8NCX70/32
4	360861X1	X	Screw	TC-7/16NC70/35
4	360874X1	X	Screw	TC-5/8NCX64/45
4	391981X1	X	Screw Metric	TC-M8X35/28
5	392404X1	X	Screw	TF-M5X16

1-9895-002

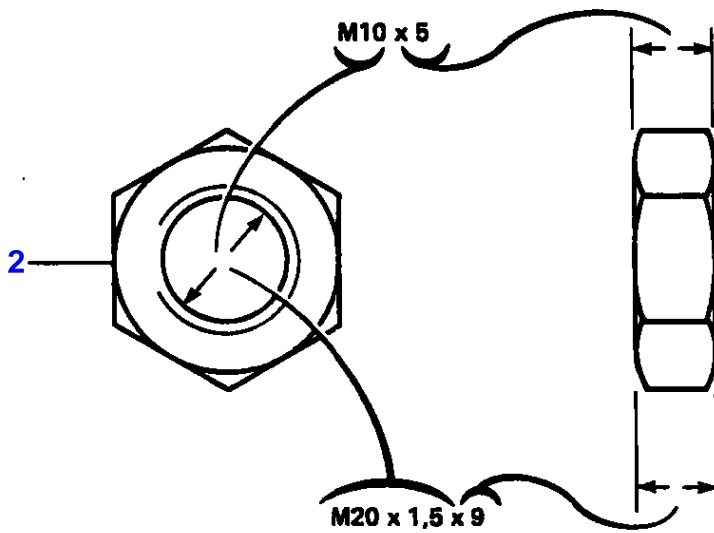
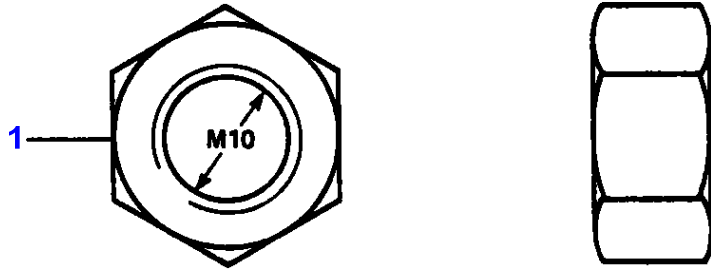


BOLTS - CONTINUED

Item	Part Number	Qty	Description	Comments
				CONTINUED
1	1440827X1	X	Screw	TH-M5X30/16
	1442602X1	X	Screw Metric	TH-M10X1,25 X100/26
1	1442668X1	X	Screw	TH-M20X80/46
	3001429X1	X	Screw	TH-M10X35/26
	3008563X1	X	Screw	TH-M20X150/22
	3009229X1	X	Screw	TH-M12X80/30
	3009242X1	X	Screw	TH-M16X70/38
	3009511X1	X	Bolt Metric	TH-M12X55/30
	3009512X1	X	Bolt Metric	TH-M12X60/30
	3009515X1	X	Bolt Metric	TH-M12X80/30
	3010045X1	X	Screw	TH-M20X90/46
	3019851X1	X	Bolt Metric	TH-M12X45/30
	3019856X1	X	Bolt Metric	TH-M12X80/30
	3019865X1	X	Bolt Metric	TH-M16X75/38
	3019894X1	X	Screw	TH-M6X100/18
	3384129M1	X	Screw	TH-M20X55/46
	3384130M1	X	Screw	TH-M22X90/50
	3384131M1	X	Bolt Metric	TH-M16X55/38
	3384132M1	X	Screw	TH-M16X150/44
	3384267M1	X	Screw	TH-M16X180/44
	3386071M1	X	Screw	TH-1/2NC196/38
	3386216M1	X	Screw	TH-M20X60/46
	3386471M1	X	Screw	TH-M20X365/65
	3388474M1	X	Screw	TH-M16X1,50 X80/38
1	3389552M1	X	Screw	TH-M20X155/35
	3389553M1	X	Screw	TH-M24X165/60
	3580795M1	X	Screw	TH-M16X80/38
	3580796M1	X	Screw	TH-M22X100/60
2	3002009X1	X	Screw Metric	TH-M12X40 Not serviced, order 3002009X1
2	1441704X1	X	Screw Metric	TH-M20X40
	1444071X1	X	Screw	TH-M8X8
	3001968X1	X	Screw	TH-M20X60
	3002009X1	X	Screw Metric	TH-M12X40
	3008654X1	X	Screw	TH-M20X45
	3009492X1	X	Screw Metric	TH-M10X25
	3009493X1	X	Screw Metric	TH-M10X30
	3009494X1	X	Screw Metric	TH-M10X35
	3009745X1	X	Screw	TH-M18X55
	3580231M1	X	Screw	TH-M20X75
3	1440349X1	X	Screw Metric	TC-M8X30
	1441000X1	X	Screw Metric	TC-M8X16
	1444203X1	X	Screw	TC-M6X10
	3000926X1	X	Screw	TC-M5X10
	3001379X1	X	Screw	TC-M8X20
	3001414X1	X	Screw Metric	TC-M8X12
	3007934X1	X	Screw Metric	TC-M6X16
	3009281X1	X	Screw	TC-M6X16
	3009282X1	X	Screw	TC-M6X25
	3009285X1	X	Screw	TC-M8X16
	3389857M1	X	Screw	TC-M5X16
	3389885M1	X	Screw	TC-M5X12
	3389886M1	X	Screw	TC-M5X25
	3580257M1	X	Screw	TC-M5X20
4	1441764X1	X	Screw Metric	TC-M8X60/28
	3009284X1	X	Screw	TC-M6X45/24
	3009289X1	X	Screw Metric	TC-M8X70/28
	3009296X1	X	Screw	TC-M10X80/32
	3009300X1	X	Screw	TC-M12X70/36
	3009313X1	X	Screw	TC-M16X90/44
	3009538X1	X	Screw	TC-M5X35/25
	3019911X1	X	Screw	TC-M14X45/40
5	3004514X1	X	Screw	TF-M5X10
	3004550X1	X	Screw Metric	TF-M4X16
	3008891X1	X	Screw Metric	TF-M4X10
	3389280M1	X	Screw	TF-M5X25

MASSEY FERGUSON**MF 3690 TRACTOR - 1637223****1637223****BOLTS - CONTINUED****497**

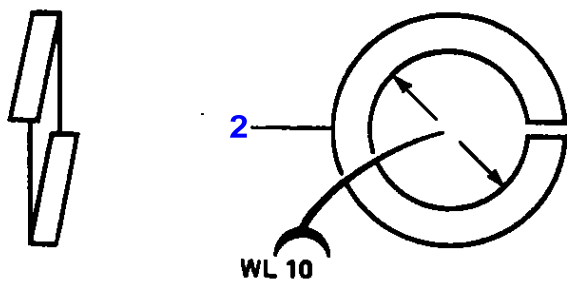
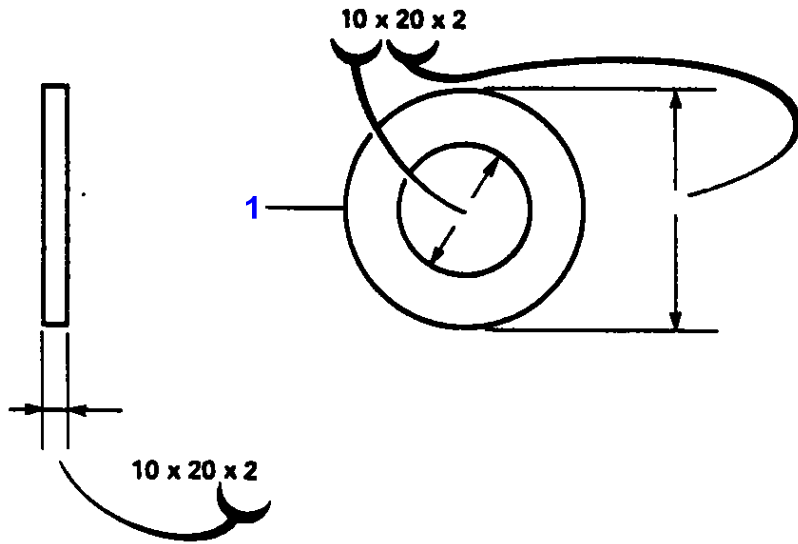
Item	Part Number	Qty	Description	Comments
5	3580138M1	X	Screw	TF-M5X12



1-9932 - 001

NUTS

Item	Part Number	Qty	Description	Comments	
1	339030X1	X	Nut Metric	H-M6	
	339034X1	X	Nut Metric	H-M16	
	3009747X1	X	Nut	H-M20	
	339068X1	X	Nut Metric	H-M24	
	339169X1	X	Nut Metric	H-M8	
	339402X1	X	Nut Metric	H-M10	
	339571X1	X	Nut Metric	H-M14X1,5	
	353427X1	X	Nut Unf	H-5/8 UNF	
	353437X1	X	Nut Unf	H-1/2 UNF	
	353920X1	X	Nut Unf	H-7/8 UNF	
	353926X1	X	Nut Unf	H-1/2 UNF	
	354120X1	X	Nut	H-NO10 UNC	
	355564X1	X	Nut Unc	H-NO10 UNC	
	355566X1	X	Nut Unc	H-3/8 UNC	
	355645X1	X	Nut Unc	H-7/16 UNC	
	355646X1	X	Nut Unf	H-1" UNC	
	353918X1	X	Nut Unf	H-1/4 UNF	
	368748X1	X	Nut	H-5/8 UNF	
	375100X1	X	Nut Unc	H-3/4 UNC	
	375101X1	X	Nut Unc	H-7/8 UNC	
	377185X1	X	Nut Unf	H-7/16 UNF	
	377641X1	X	Nut Unf	H-5/8 UNF	
	390345X1	X	Nut Metric	H-M8	
	391216X1	X	Nut Metric	H-M3	
	1443615X1	X	Nut Metric	H-M4	
	2	339186X1	X	Nut Metric	H-M12X7
		339495X1	X	Nut	H-M16X8
		339592X1	X	Nut Metric	H-M20X1,5X9
		353429X1	X	Nut Unf	H-5/8UNFX9,6
		358706X1	X	Nut	H-3/4UNFX8
		375107X1	X	Nut Unc	H-1/4UNCX4
		375112X1	X	Nut Unc	H-5/8UNCX9,6
		390191X1	X	Nut Metric	H-M30X1X6
		390197X1	X	Nut Metric	H-M24X1,5X10
		390333X1	X	Nut Metric	H-M10X1,00X6

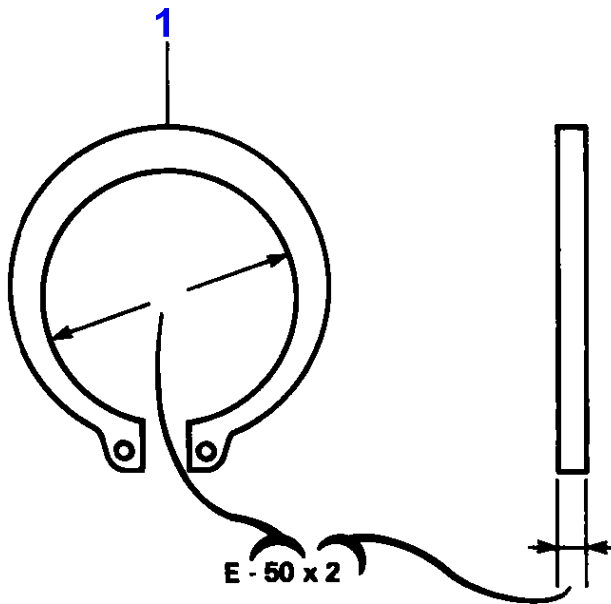
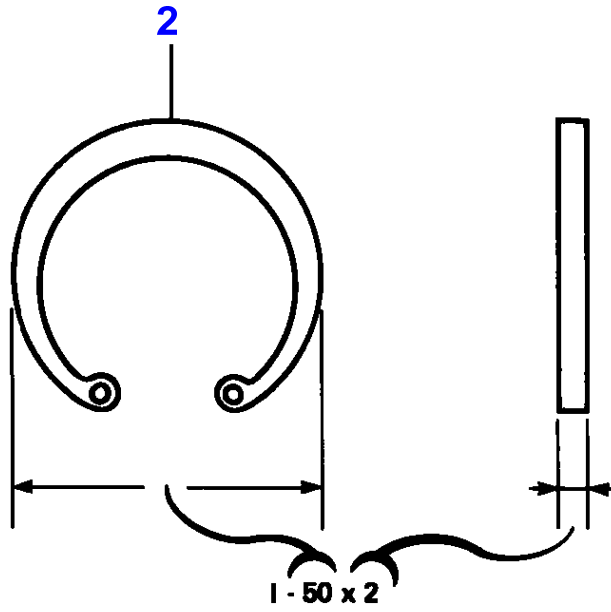


1-9945-001

WASHERS

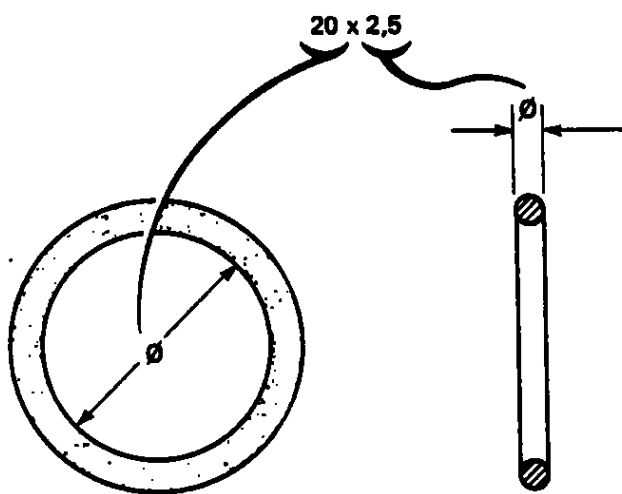
Item	Part Number	Qty	Description	Comments
1	36477X	X	Washer	30X42X3
	339024X1	X	Washer Metric	8,4X17X2
	339456X1	X	Washer	12X25X3
	339534X1	X	Washer Metric	11X21X2
	339588X1	X	Washer	6,5X18X1,5
	353754X1	X	Washer	7,1X15,9X1,6
	353755X1	X	Washer	8,7X17,5X1,6
	353756X1	X	Washer	10,3X20,6X1,6
	353757X1	X	Washer	11,9X23,4X1,6
	390735X1	X	Nut	13,5X27X2,4
	353763X1	X	Washer	23,8X44,5X3,4
	353766X1	X	Washer	33,3X69,9X4,2
	353771X1	X	Washer	10,3X20,6X2,4
	353774X1	X	Washer	16,7X33,3X3,4
	353775X1	X	Washer	20,6X38,1X4,6
	353776X1	X	Washer	23,8X44,5X4,6
	355618X1	X	Washer	9,5X22,2X2,1
	366496X1	X	Washer	20,6X38,1X4,6
	377329X1	X	Washer	16,8X28,4X4,2
	377378X1	X	Washer	19,7X27X2,6
	385361X1	X	Washer Metric	9X17X3
	385362X1	X	Washer Metric	11X21X3
	385363X1	X	Washer	13,5X24X1,2
	339102X1	X	Washer Metric	4,3X9X0,8
	390469X1	X	Washer Metric	5,5X10X1
	390585X1	X	Washer Metric	16X25X2
	390703X1	X	Washer Metric	3,2X7X0,5
	390734X1	X	Washer Metric	10,5X21X2
	390735X1	X	Nut	13X24X2,5
	390749X1	X	Washer	21X32X2
	390971X1	X	Washer Metric	6,4X12X1,6
	390972X1	X	Washer Metric	8,4X17X1,6
	390973X1	X	Washer Metric	15X28X2,5
	390977X1	X	Washer Metric	4,3X8X0,5
	391039X1	X	Washer Metric	9X24X2
	391130X1	X	Lock Washer	6,1X11,8X1,6
	391565X1	X	Washer Metric	8,4X15X1,6
	391583X1	X	Washer	13X20X1
	1440264X1	X	Washer Metric	10,5X34X4
	1440312X1	X	Washer	5,1X9,2X1,2
	1440921X1	X	Washer Metric	8,4X22X2
	1441664X1	X	Washer Metric	17,5X30X3
	1443775X1	X	Washer	5,3X15X6
	1444353X1	X	Washer	17X27X26
	1618290M1	X	Washer	13,5X76X10
	1693972M1	X	Washer	6X15X1,5
	1693980M1	X	Washer	14,2X24X2
	1719922M1	X	Washer	8,1X23X1
	3001852X1	X	Washer	4,3X12X1
	3019560X1	X	Washer	5,5X15X1,6
	3019569X1	X	Washer	4,6X9X2
	3019571X1	X	Washer	6,7X12,3X2
	3019575X1	X	Washer Metric	17,6X29,7X2
2	339374X1	X	Lock Washer	WL 8
	339375X1	X	Lock Washer	WL 6
	339376X1	X	Lock Washer	WL 10
	339377X1	X	Lock Washer	WL 16
	339380X1	X	Washer	WL 14
	339381X1	X	Lock Washer	WL 5
	339382X1	X	Lock Washer	WL 4
	353432X1	X	Lock Washer	WL 11,1
	353434X1	X	Lock Washer	WL 3/8"
	353439X1	X	Lock Washer	WL 12,7
	353443X1	X	Washer	WL 1"
	353445X1	X	Lock Washer	WL NO 10

1-9974-002



CIRCLIPS

Item	Part Number	Qty	Description	Comments	
1	22608X	X	Circlip	E-44,4 X 1,57	
	22783X	X	Circlip	E-63,5 X 2	
	339356X1	X	Circlip	E-14 X 1	
	354476X1	X	Clip	E-12,7 X 1,05	
	368232X1	X	Clip	E-9,5 X 1,07	
	391129X1	X	Circlip	E-50 X 2	
	395520X1	X	Circlip	E-40 X 2,5	
	1440474X1	X	Circlip	E-12 X1	
	1440478X1	X	Circlip	E-45 X 1,75	
	1440533X1	X	Circlip	E-70 X 2,5	
	2	339364X1	X	Clip	I-25 X 1,2
		356005X1	X	Clip	I-146 X 3,17
		358886X1	X	Clip	I-44 X 1,07
390936X1		X	Circlip	I-40 X 1,75	
1440913X1		X	Segment	I-75 X 2,5	
1441403X1		X	Circlip	I-145 X 4	
1442446X1	X	Circlip	I-14 X 1		



1-9975-001

O RINGS

Part Number	Qty	Description	Comments
152613M1	X	O Ring	89 X 3,6
195561M1	X	O Ring	9,5 X 1,6
195562M1	X	O Ring	11,1 X 2,4
195632M1	X	O Ring	20,2 X 3,53
195869M1	X	O Ring	10,8 X 1,8
330982X1	X	O Ring	10,7 X 1,9
359118X1	X	O Ring	145,6 X 3,5
365392X1	X	O Ring	22,2 X 2,4
366434X1	X	O Ring	34,6 X 2,62
368374X1	X	O Ring	20,6 X 2,4
3010474X1	X	O Ring	30,2 X 1,6
368541X1	X	O Ring	17,5 X 1,6
371119X1	X	O Ring	7,6 X 1,6
831452M2	X	O Ring	11,8 X 2,1
831495M1	X	O Ring	8,8 X 1,9
831496M1	X	O Ring	10,4 X 1,9
1852568M1	X	O Ring	16,2 X 2,3
832276M1	X	O Ring	18,80 X 3
835025M1	X	O Ring	23,5 X 3
851258M1	X	O Ring	15,9 X 2,4
1009659M1	X	O Ring	72,6 X 3,5
1441121X1	X	O Ring	7,9 X 1,6
1441141X1	X	O Ring	12,42 X 1,78
1441176X1	X	O Ring	94,8 X 3,53
1441634X1	X	O Ring	33 X 2,6
1610254M1	X	O Ring	56,8 X 2,6
1639382M1	X	O Ring	30 X 2
1749437M1	X	O Ring	45 X 2,5
1749440M1	X	O Ring	37,7 X 3,5
1807116M1	X	O Ring	23 X 2,5
3019395X1	X	O Ring	11,4 X 2,1
3019396X1	X	O Ring	13,4 X 2,1
3019397X1	X	O Ring	15,4 X 2,1
3019398X1	X	O Ring	19,4 X 2,1
3019455X1	X	O Ring	23,7 X 2,8
3102079M1	X	O Ring	11 X 2
3102326M1	X	O Ring	26 X 2,5
3102329M1	X	O Ring	18 X 2,5
3104855M1	X	O Ring	13,5 X 1,7
3104856M1	X	O Ring	11,5 X 1,7
3384856M1	X	O Ring	15 X 2,5
3388349M1	X	O Ring	220 X 3
3388350M1	X	O Ring	115 X 3
3389314M1	X	O Ring	8,93 X 2
3582204M1	X	O Ring	42,5 X 1,8
3580247M1	X	O Ring	59,9 X 3,5