

+ Spare parts list.

Instruction Manual for Precision Drill Överum Nibex 500 Mini

Contents	Page
Assembling instructions:	
Handle	2
Marker	2
Coulters and press wheels	3
Coverers	3
Cup disc and face plate	4
Cell wheel and face plate	5
Economizer	6
Direction for use:	
Adjusting the seeding depth	7
Economizer	7
Adjusting the seed level	7
Static electricity	7
Drive ratios – Exchange of drive ratios	8
Using of plugs	8
Drive ratio table	9
Working speed with cup disc	10
Working speed with cel wheel	10
Lubrication	10
Manual rotation test	11
Useful formulue	12
Fault tracing	12 - 13

Please read this manual carefully. If you follow the instructions given, you can expect good results and a fair repayment from the machine of your choice.

Correctly adjusted, operated and maintained, the machine will meet all reasonable demands made on it, and give you reliable service for years to come. Should you need further instructions, not included in this manual, or require the help of experienced service personnel, we advice you to get in touch with any of our dealers who also stock spare parts.

It has always been the ambition of AB ÖVERUM BRUK to constantly improve its products. Consequently, no specification is final and binding and we reserve the right to make alterations to new machines without previous notice.



Andershornstein AB
www.andershornstein.se +46 (0) 730 77 87 00

www.andershornstein.se Tel: +46 730 77 87 00

Worldwide sales of Spare parts for NIBEX seeding machines.

See our homepage for other second hand machines for potato and vegetables!

Assembling instructions

The following items are not mounted at delivery. Assembly is easily done by following the instructions below:

Handle

Mount the handle according to Fig. 1. Mount bolt **A** and spacer **B**, included in the accessories bag, onto the right side of the machine. Remove nut **C** and washer **D** on the left side. Set the handle in place, assemble the nuts and washers and tighten so that all play is eliminated.

The limitation link with the S- hook is placed according to Fig. 1 so that it is easy to raise the rear wheels of the machine when turning on the headlands.

Marker

The marker is mounted according to Fig. 2. The outer tube is mounted if wider row spacing is needed. This is screwed onto the inner tube and tightened with a wrench, etc.

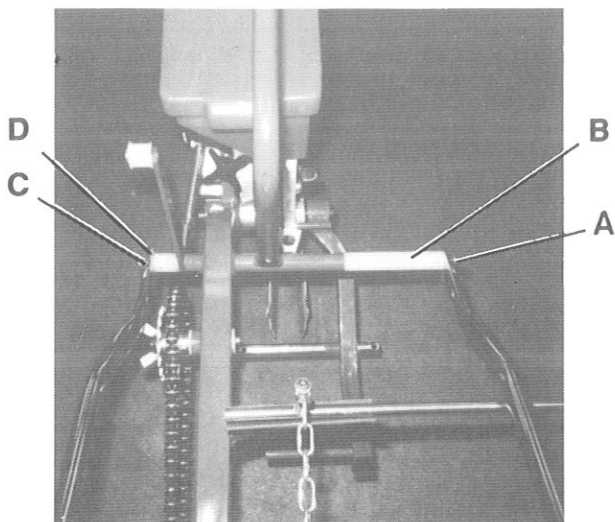


Fig. 1

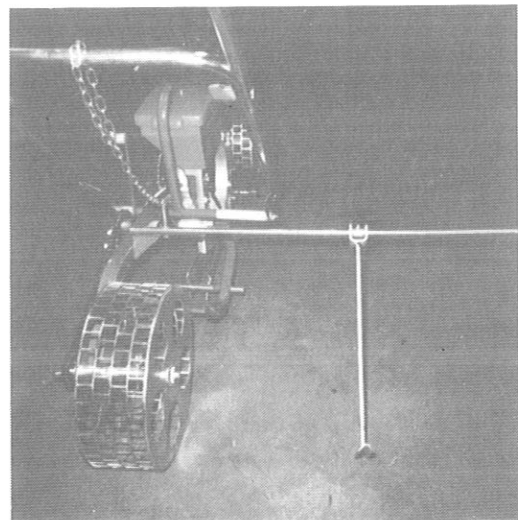


Fig. 2

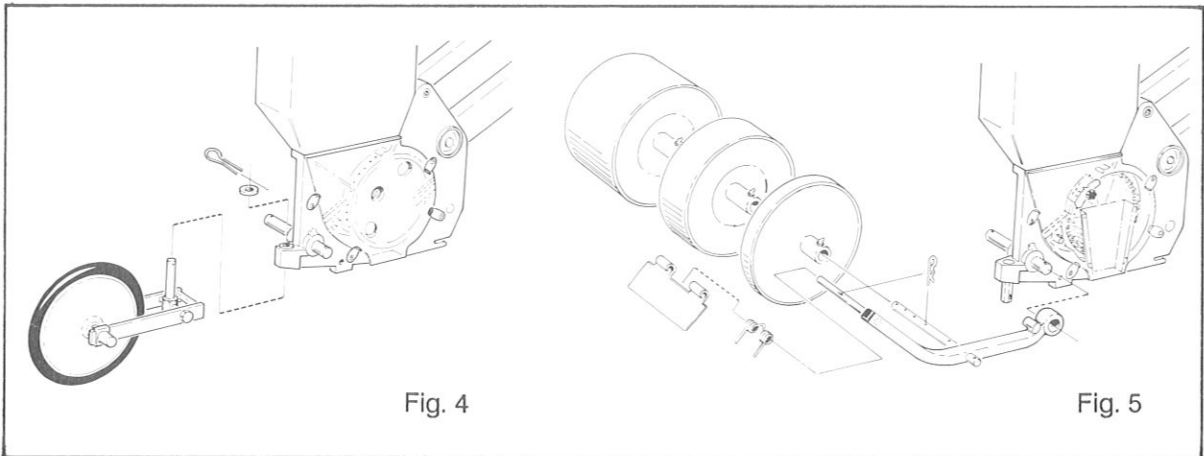
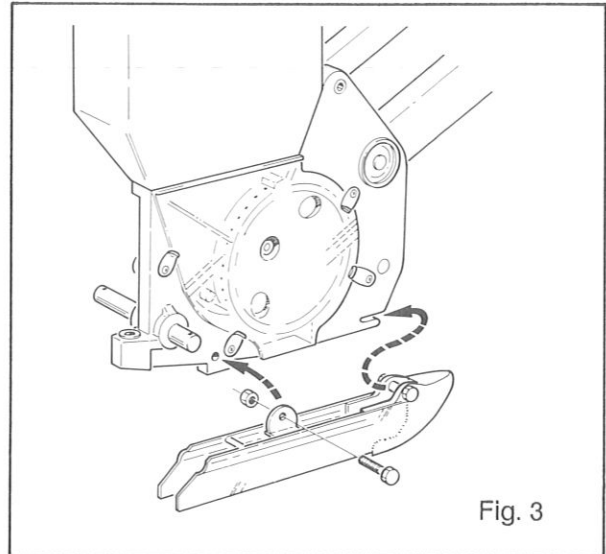
Coulters and press wheels

Fit the coulters to the seeder housings as shown in Fig. 3.

The press wheel width matches the width of the coulters i. e. a 25 mm press wheel matches a 25 mm coulters, etc. For fitting the press wheels:

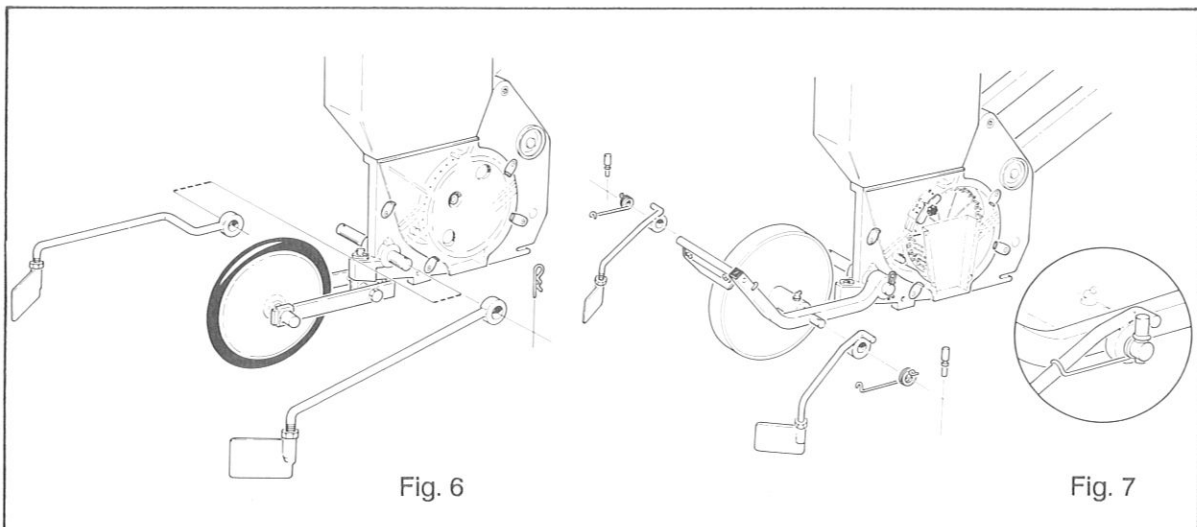
Fig. 4 = 25 mm pivoting press wheel with rubber tread.

Fig. 5 = 25 mm, 65 mm and 105 mm press wheels with stainless steel treads.



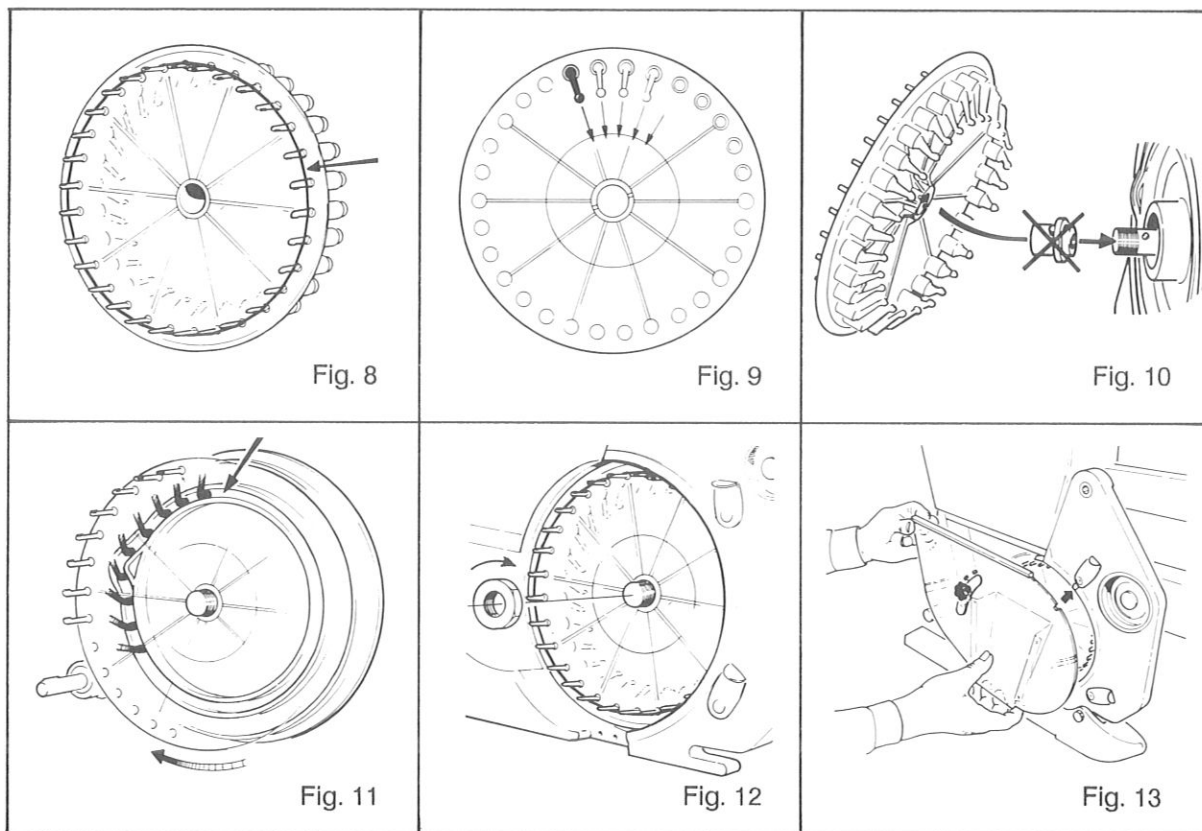
Coverers

Mount the adjustable covers as shown in Figs. 6 and 7.



Cup disc and face plate

- Place a rubber band around the cups at the front of the disc as shown in Fig. 8.
- Turn the guide arms on all cups towards the centre as shown in Fig. 9.
- All new cup discs are delivered with a center bushing in order to fit all older Nibex and Mini-Nibex. When mounting cup discs on **Nibex 500-Mini** press out the bushing first. Mount the cup disc on the shaft, press firmly and turn clockwise (Fig. 10).
- Check that the guide arm on all of the cups run properly in the cam track as shown in Fig. 11.
- Tighten the centre nut while holding the cup disc stationary as shown in Fig. 12.
Do not tighten this nut too tight!
- Remove the rubber band. Fit the face plate as shown in Fig. 13.



To remove the cup disc, proceed as follows:

- Remove the face plate, clean the seeder housing.

- Remove the centre nut.
- Grasp one cup on each side of the disc.
- Pull slowly, keeping the disc straight on the shaft.

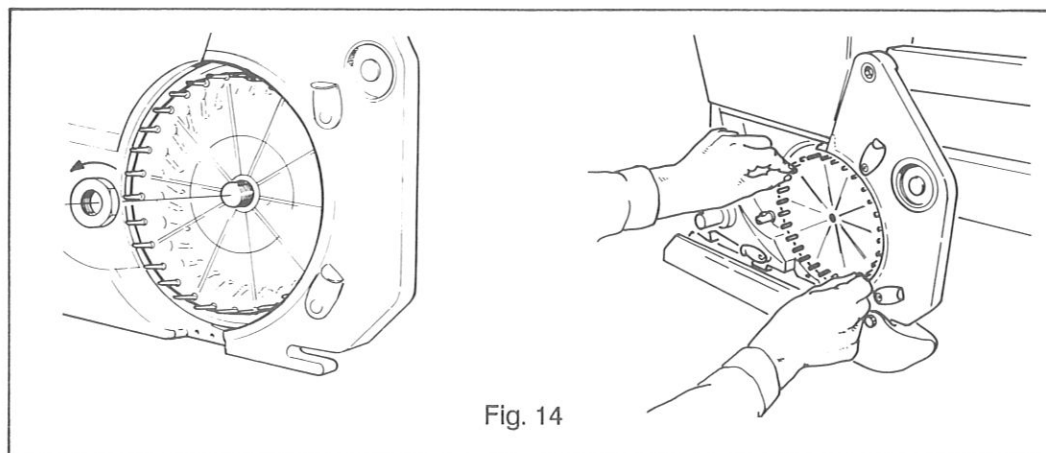
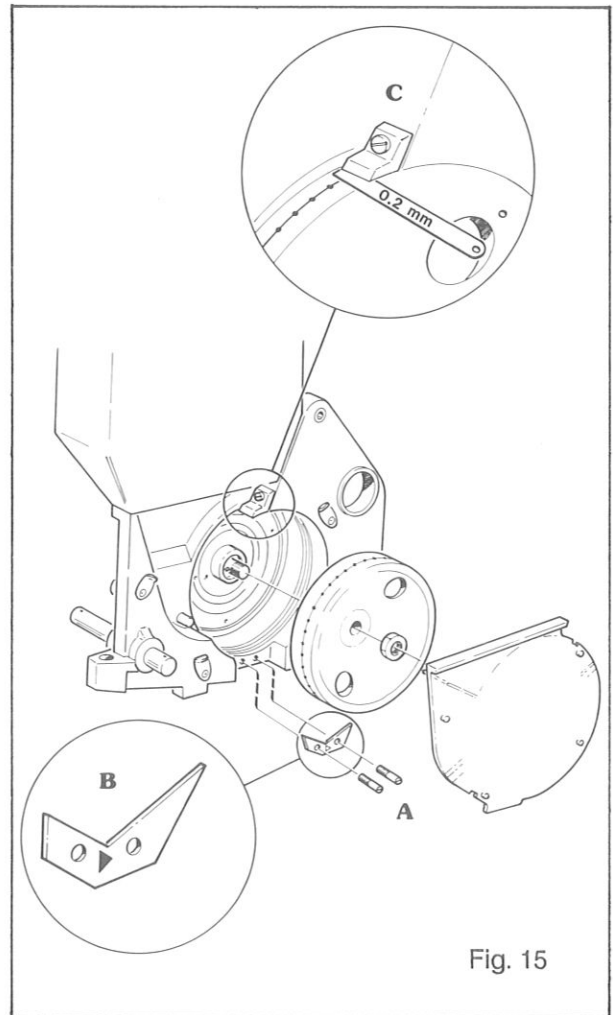


Fig. 14

Cell wheel and face plate

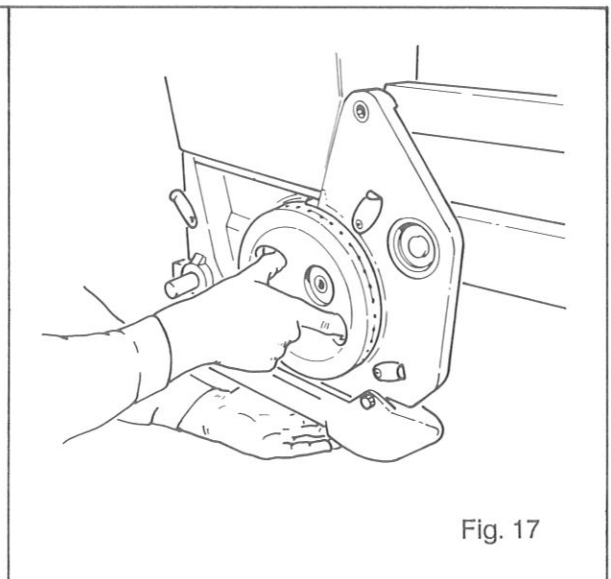
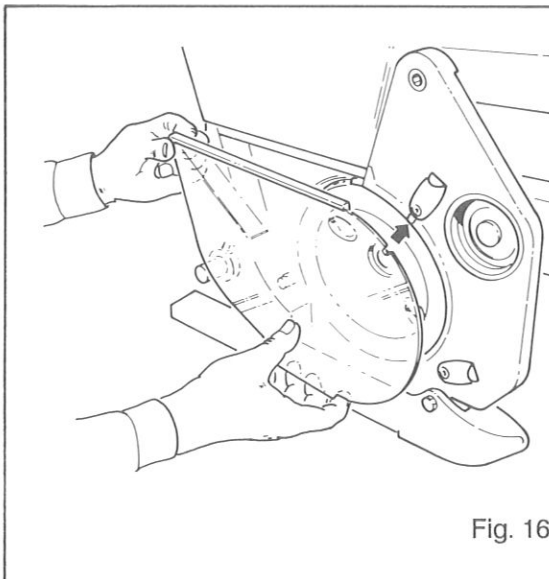
- Fit the stud bolts (A) into the seeder housing as shown in Fig. 15.
- Mount the cell wheel holding the ejector blade (B) in the groove. Mount the ejector blade with the arrow (▶) pointing forwards
- Cell wheels having two rows of holes require two ejector blades.
- Adjust the distance (C) between the repeller and the cell wheel to 0.2 mm as shown in Fig. 15.



- Fit the face plate as shown in Fig. 16.

To remove a cell wheel, proceed as follows:

- Remove the center nut.
- Crasp the cell wheel as shown in Fig. 17 and pull the disc straight out together with the ejector blade.



Economizer - when using cupdisc

The economizer should be placed as shown in Fig. 18 and kept in place by the faceplate.

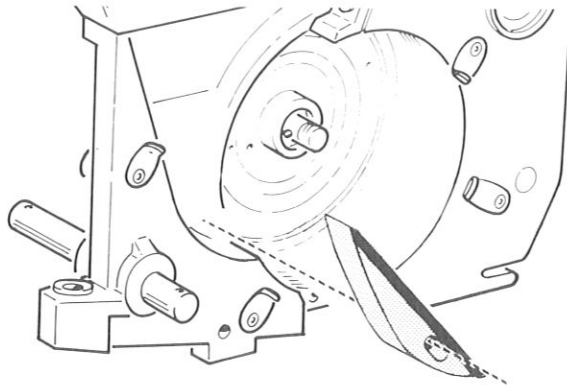


Fig. 18

Adjusting the seeding depth

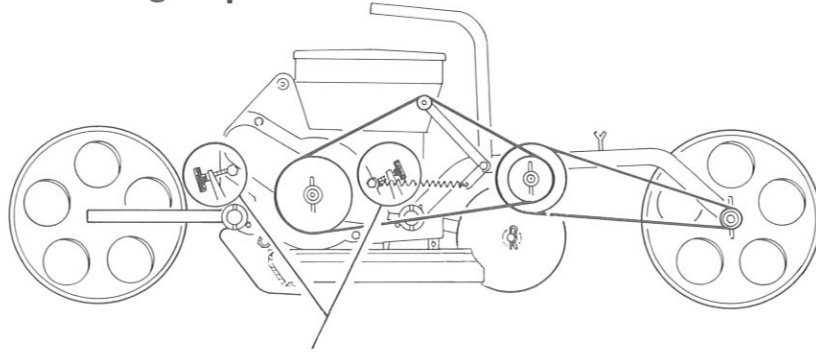


Fig. 19 Adjusting of seeding depth

Seeding depth and working angle of the coulter are easily adjusted by the two hand wheels, (Fig. 19).

The basic adjustment can be done in the following way:

Position the seeder on a level surface. Place spacers corresponding to the required seeding depth under the depth control wheels. Use the hand wheels to adjust the height so that the tip of the coulter touches the soil. The side plates of the coulter must be parallel with the soil in order to obtain the correct working angle. If necessary, under wet conditions and when the soil is sticky, the rear edge of the side plates can be adjusted upwards a few mm so that the coulter is tilted slightly on its tip.

Economizer

To reduce the necessary amount of surplus seed, Nibex 500-Mini is equipped with an economizer. When drilling larger seeds (e.g. beans) it is recommended to dismount the economizer.

Adjusting the seed level

The level regulator shown in Fig. 20 determines the extent to which the cups will be filled and this in turn, determines the seeding rate. A minimum seed weight of 20-25 grams is required to ensure satisfactory distribution.

Recommendations for suitable level settings are presented in **Planting with Nibex**.

If, during operation, the seed level drops or rises, the level regulator must be adjusted.

If the level is too high: empty the seed housing and lower the level regulator half a step, as shown in Fig. 20.

If the level is too low: raise the level regulator half a step as shown in Fig. 20.

NOTE! Never pour seed into hopper before the seeder has been moved into the field and is ready for seeding.

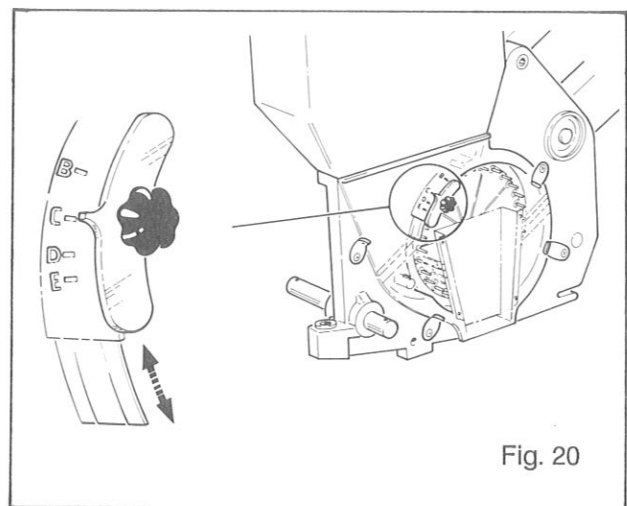


Fig. 20

Static electricity

Certain types of seed (particularly small seeds) tend to build up static charges which cause them to stick to the cup disc. This natural phenomenon can have a negative effect on the seeding results. To eliminate this risk, you must always mix the seed with talc powder. Seed dressing may have the same effect as talc powder.

Dosage: 1 teaspoon of talc powder per 300 gram (10 oz) of seed.

Drive ratios

The precision seeding mechanism is powered from the drive (rear) wheel via two chains I and II which run over the sprockets marked A, B, C and D in Fig. 22.

The seeding rate can be regulated by fitting sprockets of different sizes to shafts A, B, C and D (see Fig. 22). This determines the number of cup feeds per running metre with the cup disc and seeds per running metre with the cell wheel. A total of seven sprockets with the following numbers are used:

Sprocket No	Teeth
3	11
5	20
7	28
9	10
10	13
11	18
12	32

Example:

The sprocket combination "9, 7, 3, 12" means that the sprockets are to be mounted as follows:

In position	A	mount sprocket	No. 9
"	B		No. 7
"	C		No. 3
"	D		No. 12

Changing the drive ratio

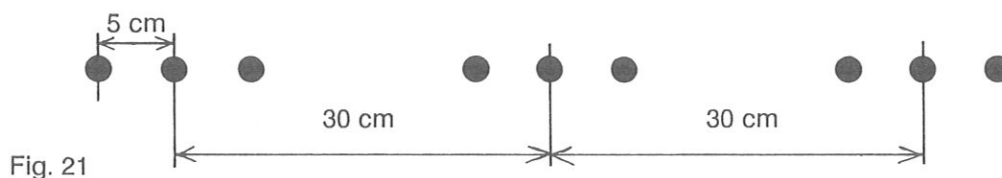
The sprockets are changed by loosening the wing nuts that retain the sprockets. Each shaft is provided with a driver which has a pin that fits into an extra hole in the sprocket. When sprocket B is to be replaced, sprocket C and the spacer on the middle shaft must be removed. In some sprocket combinations the chain (No. 1) has to be shortened in order to get enough tension from the chain tensioner. This is done by dismantling the extension part of the chain.

Plugs

The cup discs are delivered with 30 cups, with the exception of cup discs No. 23, 25, and 26 which have 15 cups and 15 plugs. The seeding rate table is based on a cup disc with 30 cups. If only 15 cups are used then the values in the table are halved.

The technique of using a reduced number of cups and fitting plugs can be developed as required by the individual grower. It is also possible to seed in groups.

Example of seeding in groups:



Cup disc with 30 cups and 20 deliveries/m will give 5 cm seed spacing. By removing 3 cups and retaining 3, removing 3, etc., it is possible to obtain 5 groups of 3 cups and 5 gaps where the cups have been replaced by plugs. A set of 15 plugs can be obtained by means of order no. 830 70 49.

Ratio tables

Sprocket combination see Fig. 22				Cup disc 30 cups	Cell wheel			
A	B	C	D		30 cells	41 cells	120 cells	240 cells
				Cups/metre	Seeds/metre			
9	7	3	12	4	4	5,5	16	32
9	7	10	12	4,5	4,5	6,5	18,5	37
9	7	3	5	6	6	8	23	46,5
9	7	11	12	6,5	6,5	8,5	25,5	51
9	7	3	11	7	7	9,5	27,5	55
9	7	5	12	7	7	10	29	57,5
9	7	10	5	7,5	7,5	10	29,5	59
9	7	10	11	8	8	11	33	65,5
9	7	3	10	9,5	9,5	13,5	39	77,5
11	5	3	12	10	10	13,5	39,5	79
11	5	10	12	11,5	11,5	16	46,5	93
9	7	5	11	12,5	12,5	17	50,5	101
9	7	10	3	13,5	13,5	18,5	53,5	107
5	11	10	12	14	14	19,5	37	113,5
9	7	11	10	15,5	15,5	21,5	63	125,5
9	7	5	10	17,5	17,5	24	70	140
9	7	12	5	18	18	25	73	145,5
9	7	11	3	18,5	18,5	25,5	74,5	149
9	7	12	11	20	20	27,5	81	162
9	7	5	3	20,5	20,5	28,5	83	166
11	5	3	10	24,5	24,5	33,5	98	195
5	11	12	10	28	28	38	112	224
7	9	3	12	30,5	30,5	42	123	
9	7	12	3	33	33	45	132	
11	5	10	3	34	34	46	135	
7	9	10	12	36	36	49	145	
7	9	3	5	49	49	67	196	
7	9	11	12	50	50	68	200	
7	9	3	11	54	54	74	216	
7	9	5	12	56	56	77	224	
7	9	10	5	58	58	79	232	
7	9	10	11	64	64	87		
7	9	3	10	75	75	102		
7	9	11	5	80	80	109		

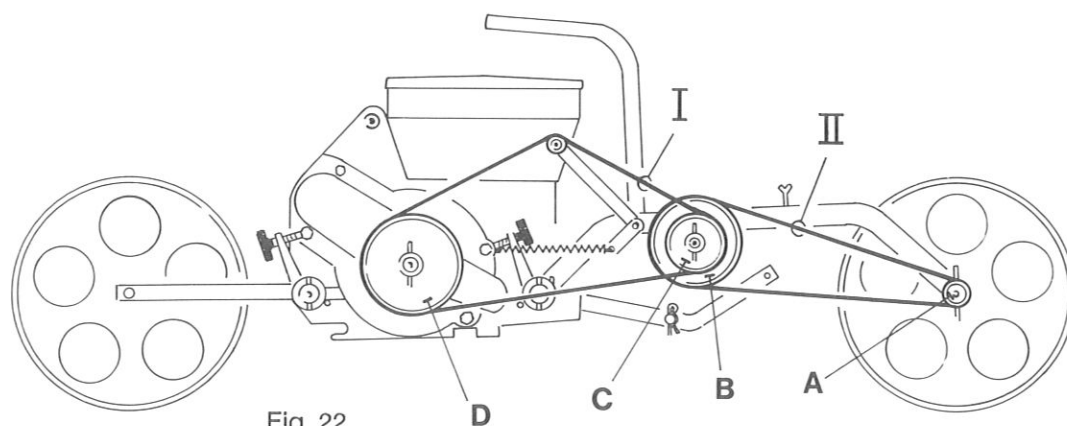


Fig. 22

Working speed with cup disc

The working speed must be adapted to the conditions in the field and the seeding rate (number of cup feeds per meter). **Remember that the working speed does not affect the number of cup feeds per meter.**

As a general rule the speed must not be so high that the coulters and covers are not functioning properly.

For some seeds, like carrot or tomato do not work with more than 25 cupfeeds/m. in order not to loose controle of the distribution.

Number of cup feeds per meter	Max. working speed	
	km/h	m.p.h.
0 – 19	3.0 – 3.5	2.0 – 2.5
16 – 25	2.5 – 3.0	1.5 – 2.0
23 – 65	2.0 – 2.5	1.0 – 1.5

Working speed with cell wheel

Number of seeds per meter			Max working speed	
30 and 41 cells	120 cells	240 cells	km/h	m.p.h.
4.3 – 10.5	12.6 – 30.7	25 – 61	4.0 – 4.5	3.0 – 3.5
– 16	– 47	– 94	3.0 – 4.0	2.0 – 3.0
– 21*	– 61*	– 122*	2.0 – 3.0	1.0 – 2.0

* Higher seeding rate possible with very low workingspeed.

Lubrication

To obtain the best results and the least resistance, the following lubrication programme should be used:

Daily:

A few drops of oil on:

- The bearings on the depth control wheels
- The bearings on the transmission axle
- The chains

Grease:

- The bearings on the press wheel

Once per season:

A few drops of oil on:

- The roller on the chain tensioner
- The bearing on the chain tensioner

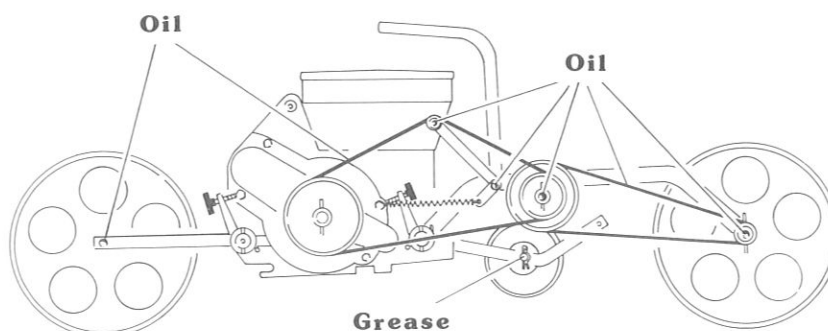


Fig. 23

Manual rotation test

Rotation test = counting the number of seeds/cup

Important:

The seeder unit must be horizontal, ensure that the rear wheel (the drive wheel) can rotate freely. The seeds must be prepared for sowing with the Nibex seeder. Check that the correct cup disc is mounted. Adjust the recommended seed rate according to "Planting with Nibex". Select a suitable delivery rate (e.g. 10 cups/m).

1. Rotate the rear wheel a few turns until the correct seed level has become stabilised.
2. Rotate the rear wheel a few turns and collect the seed.
3. Count the seeds and divide them by the number of "meters driven". One rotation of the rear wheel corresponds to 0.95 m.

Example:

- After 5 turns a total of 190 seeds have been collected.
- The circumference of the wheel is 0.95m x no. of revs. (5) = no. of meters sown (0.95 x 5 = 4.75m).
- No. of collected seeds (190): no. of meters sown = seeds/m (190 : 4.75 = 40 seeds/m).
- If the selected seed delivery rate gives 10 cup deliveries per sown meter then this implies that each takes 40 seeds/m : 10 cup deliveries = 40 : 10 = 4 seeds/cup.

Number of plants

How many seeds should be sown to obtain the required number of plants per sown meter ?

Example: (when sowing carrots)

1. 30 plants per sown meter are required.
2. Field germination capacity is estimated to be 75% = 0.75.
3. In order to obtain 30 plants/m and allowing for 75% viability, the following seed rate will be required, 30 : 0.75 = 40 seeds/m.
4. 4 seeds per cup in the rotation test and 40 seeds per meter will give 40 : 4 = 10 cup deliveries per sown meter.

Useful formulae

1 Hectare = 10 000 m²

$$\frac{10\,000\text{ m}^2}{\text{row spacing in mm}} = \text{meters per hectare}$$

$$\frac{\text{meters per hectare} \times \text{seeds per meter} \times \text{thousands of seeds per gram}}{1000} = \text{grams per hectare}$$

$$\frac{\text{grams per hectare} \times 1000}{\text{meters per hectare} \times \text{thousands of seeds per gram}} = \text{seeds per meter}$$

$$\frac{\text{plants per meter} \times 100}{\text{field germination as \%}} = \text{seeds per meter}$$

For best results

- Check the seeder's operation before starting work by rotating the drive wheel and during operation by regularly checking the amount of seed delivered as well as the seed level in the seed hopper.
- Check that the cell wheels with ejectors and repellers are correctly mounted.
- Check that the coulters are correctly attached.
- Never pour seed into the seed hopper before the seeder has been moved into the field and is ready for seeding.
- Be careful when turning at the end of a row and avoid abrupt movements which may alter the seed level; this will influence the seed rate.
- The seeder units should work in a horizontal position for best results.

After work, it is important that the seeder is emptied and thoroughly cleaned.

Fault tracing

Problem	Probable cause	Remedy
Clogged coulters	Seeder has moved backwards.	
	The seeder slopes backwards.	Use the handles for depth adjustment to give the coulters the correct working angle.
	The press wheel is blocked.	Clean the press wheel; check that it rotates freely; lubricate if necessary.

Pour seed spread (band seeding).

Spreader pin is out of position. Align spreader pin as shown in Fig.24.

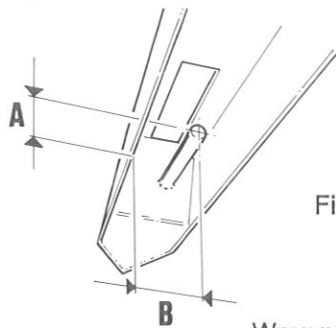
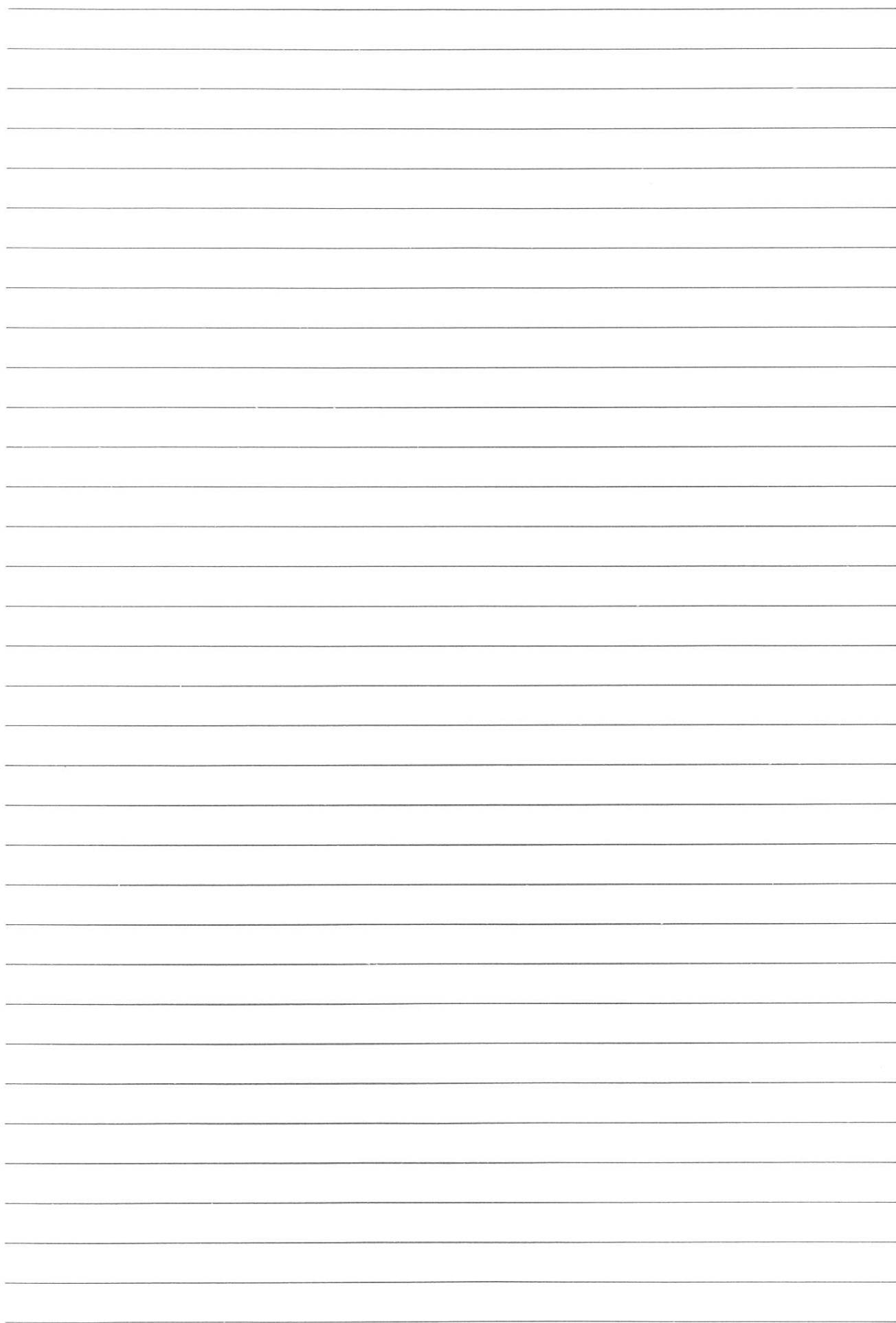


Fig. 24

	65 mm coulters	105 mm coulters
A	17 - 19 mm	17 - 19 mm
B	44 mm	63 mm

	Wrong cup selected.	Select a smaller cup and shift into higher gear.
Irregular seeding	Coulters tips worn out.	Make regular checks of coulters shape.
	Working speed too high.	Reduce working speed, see page 10.
Uneven seeding	Seedbed too loose or too hard.	Rework the field.
	Faulty covering.	Check settings on coverer blades.
Uneven seeding rate.	Static electricity.	See page 7.
	Wrong cup selected.	Select another cup size and re-run the rotation test.
	Uneven seed size.	

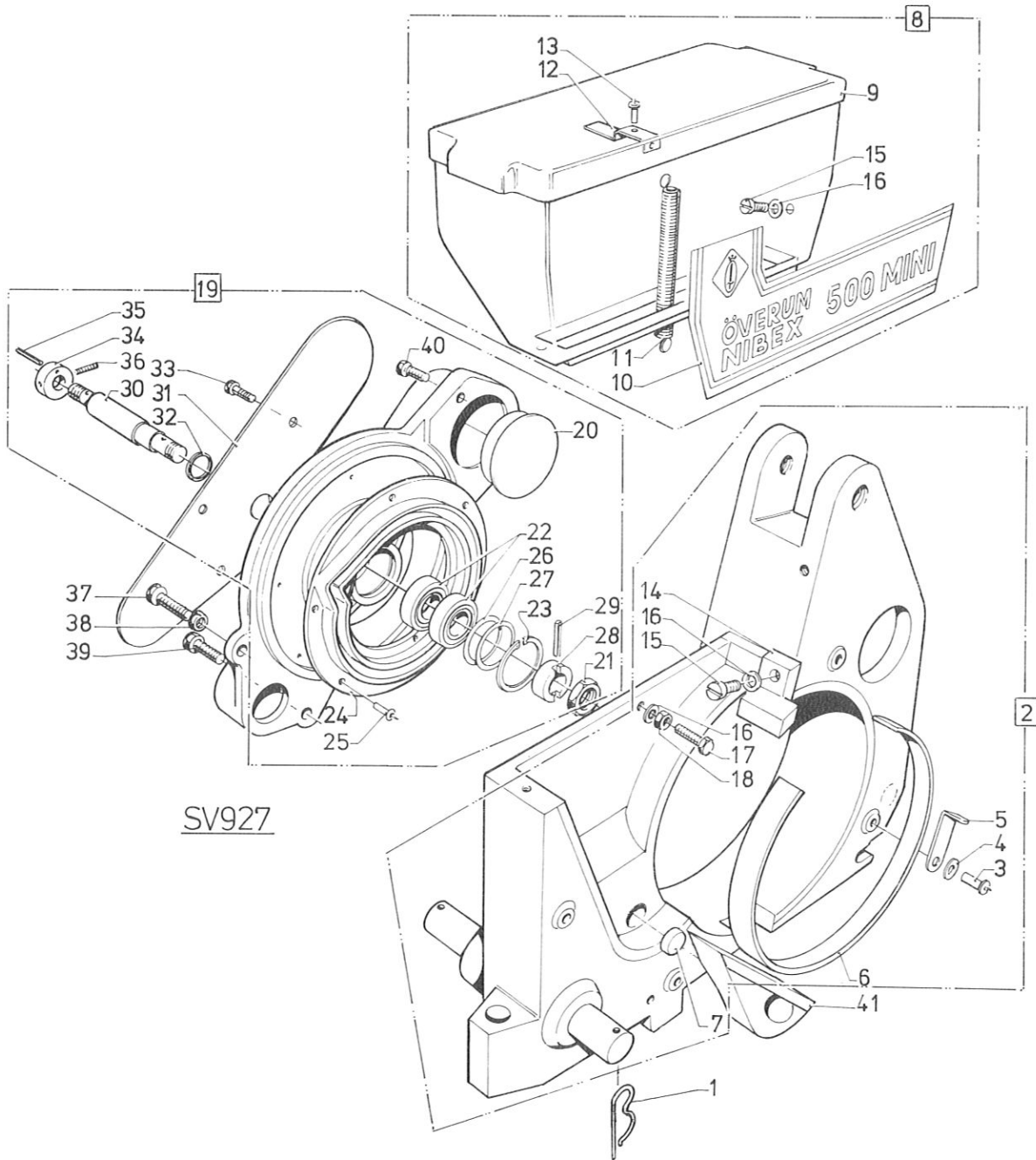
Problem	Probable cause	Remedy
Seeding rate too low.	Incorrect level setting. Too little seed in the hopper.	Increase the level by half a step.
	Wrong gear.	Mount a higher gear ratio, re-run the rotation test.
	Static electricity.	See page 7.
	Rear wheel is slipping.	Lubricate shaft and bearings.
Seedin rate too high.	Incorrect seed level.	Decrease the level by half a step.
	Wrong gear.	Mount a lower gear ratio, re.run the rotation test.
	Pumping effect caused of too high working speed.	Reduce working speed or change to larger cup and lower gear ratio.



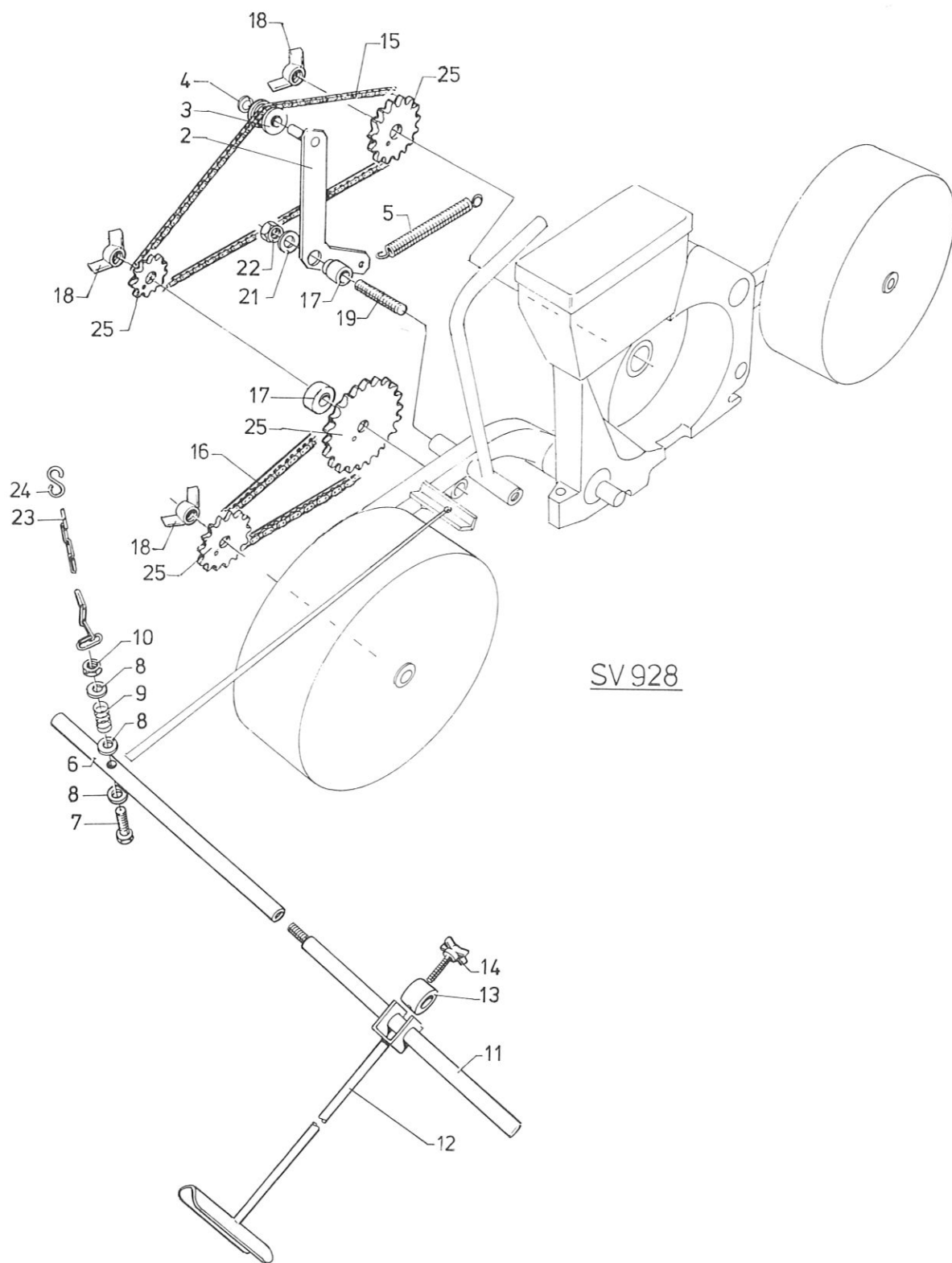
SPARE PARTS NIBEX 500 MINI

Sida Bild
Seite Bild
Page Fig.
Page Fig.

	Typ	Innehållsförteckning	Inhaltsverzeichnis	Index of contents	Table des matieres	
3	SV927	500 MINI	SÅHUS	SÅRADGEHÜSE	SEEDERHOUSE	GRUPE SEMEUR
5	SV928	500 MINI	DRIVANORDNING, MARKÖRER	ANTRIEB, SPURANZEIGER	DRIVE DEVICE, MARKER	ENTRAINEMENT, MARQUEUR
7	SV929	500 MINI	STYRE OCH RULLAR	HANDGRIFF UND ROL.	HANDLE AND ROLLER	POIGNE ET ROUE
9	SV886	500	TREPUNKTS- FÄSTE	DREIPUNKT- BOCK	TREE-POINT LINKAGE	ATTELAGE A TROIS POINTS
9	SV885	500	MARKSTÖD	PARKSTÜTZE	PARKING SUPPORT	BEGUILLE STATIONEM.
11	SV896	500	BÄRBALK	SÄBALKEN	MAIN BEAM	POUTRE
13	SV874	500 6,2m, 4,5m	UPPFÄLLBAR BALK	AUFKLAPPBAR BALK	HINGED BEAM	POUTRE DE ARTICULE A CHARNIERE
15	SV884	500	MARKÖR	SPURANZEIGER	MARKER	MARQUEUR
17	SV887	500	HYDR MARKÖR- SKIFTARE	HYDR.SPURANZEIGE- WECHLER	HYDR.MARKER CARRIER	HYDR.MECANISME D'ALTERNANCE
19	SV875	500 2,6-4,5m	HYDR MARKÖR	HYDR.SPURANZEIGER	HYDR.MARKER	MARQUEUR DE HYDR.
21	SV876	6,2m	1170-2465mm 2930-4215mm	1170-2465mm 2930-4215mm	1170-2465mm 2930-4215mm	1170-2465mm 2930-4215mm
23	SV883	500	DRIVKONSOL MED VÅXELLÅDA	ANTRIEBSRAD MIT GETRIEBE	DRIVE UNIT WITH GEAR BOX	ROUE MOTRICE, REGL. AVEC BOITE DE VITES.
27	SV881	500	DRIVKONSOL.EKON	ANTRIEBSRAD, ÖKON.	DRIVE UNIT, ECON.	ROUE MOTRICE, ECON.
29	SV882	500	BÄRKONSOL	STÜTZRADARM	WHEEL ARM	BRAS DE ROUE
29	SV890	500	SÄAGGREGAT: Fäste	SÄAGGREGAT: Halter	SEEDER UNIT: Bracket	ELEMENT SEMEUR: Support
31	SV888	500	FRÖBEHÅLLARE	SAMENBEHÄLTER	SEED HOPPER	TREMIE A GRAINE
31	SV891	500	SÄAGGREGAT: Såhus	SÄAGGREGAT: Såradgehüse	SEEDER UNIT: Seed housing	ELEMENT SEMEUR: Groupe semeur
31	SV899	500, 500 MINI	SPARBIT	SPAREINSATZ	ECONOMIZER	ECONOMISEUR
33	SV892	500	SÄAGGREGAT: Bakstycke	SÄAGGREGAT: Gehäuserückwand	SEEDER UNIT: Rear housing	ELEMENT SEMEUR: Bloc arrière
35	SV893	500	Sådjupsreglage	Tiefenregulierung	Depth regulator	Réglage profond.
35	SV877	500, 500 MINI	RENSPLOG	KLUTENRÄUMER	CLOD CLEARER	SOC NETTOYEUR
37	SV894	500	SÄAGGREGAT: Främre gaffel, Däck	SÄAGGREGAT: Halter für fordere Rolle, Reifen	SEEDER UNIT: Frame forward, Tyre	ELEMENT SEMEUR: Partie AV de balancier, Pneu
37	SV895	500	Bakre gaffel, Rulle	Halter für hintere Rolle, Rolle	Frame rear, Roller	Partie AR de balancier, Roue
39	SV879	500, 500 MINI	BILLSATS 65mm, 105mm	SHARSATZ 65mm, 105mm	COULTER SET 65mm, 105mm	SOC CPL. 65mm, 105mm
41	SV880	500, 500 MINI	25/7, 25/15	25/7, 25/15	25/7, 25/15	25/7, 25/15
41	SV878	500, 500 MINI	25/25, 25/15 pivå	25/25, 25/15 Pivot	25/25, 25/15 Pivot	25/25, 25/15 Pivot
43	SV872	500, 500 MINI	CELLHJUL	ZELLENRAD	CELL WHEEL	COURONNE
49	SV873	500, 500 MINI	SKOPHJUL OCH SKOPOR	BECHERRAD UND SCHÖPFBECHER	CUP DISC AND CUPS	COURONNE ET GODETS
53	SV900	500	Extra utrustning: AREALMÄTARE	Sonderzubehör: HEKTARZÄHLER	Extra equipment: HECTAREMETER	Equipement optionnel: COMTEUR D'HECTAR.
53	SV901	500	FJÄDERPAKET	FEDERPAKET	SPRING TENSION	RESSORT
53	SV898	500	AXLAR	DISTANZSCHRAUBEN	SPACER	ENTRETOISE
55	SV889	500, 500 MINI	AVSKRAPARE	ABSTREIFER	SCRAPER	RACLEUR
55	SV897	500	VIKTSATS TRYCKRULLE	GEWICHT SATZ DRUCKROLLE	WEIGHT SET PRESSWHEEL	POIDS ROUE PLOMBEU
55	SV902	500	RENSPLOG STOR	KLUTENRÄUMER GR.	CLOD CLEARER LA.	SOC NETTOYEUR GR.
57	SV937	500	TRANSPORT - VAGN	TRANSPORT - WAGEN	WHEELS AND HITCH FOR TRANSPORT	DISPOSITIF DE TRANSPORT
58			SKOPGUIDE	CUP SECTION GUIDE	BECHERRAD - WEGWEISER	COURONNE A GODETS CARACTERISTIQUES INDICATIVES
60			NUMMERREGISTER	NUMMERN - VERZEICHNIS	NUMBER REGISTER	LISTE DE PIECES PAR ORDRE NUMERIQUE

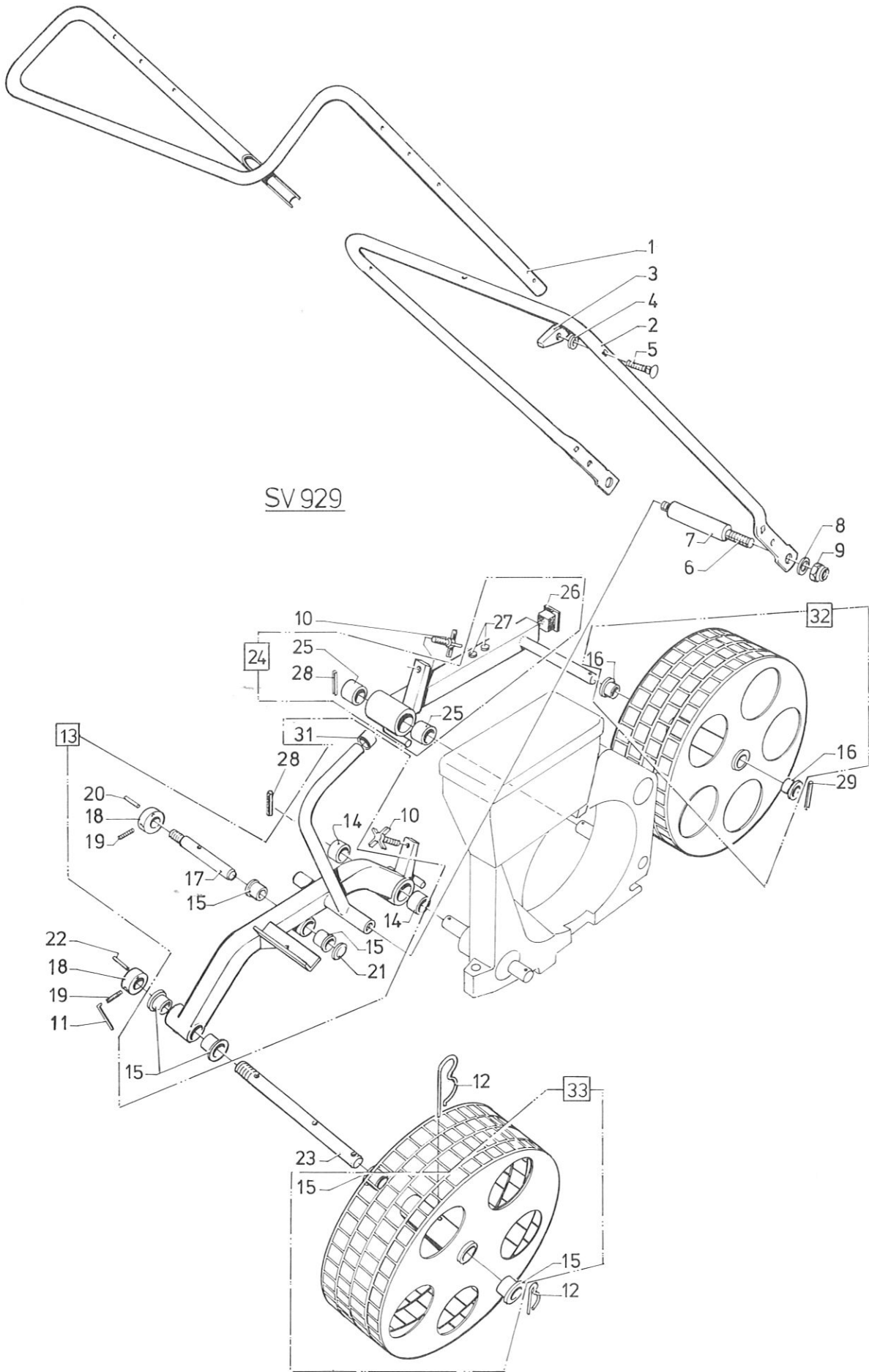


Pos nr Pos.Nr Ref.No. Fig.Nº.	Detalj nr Best.Nr Part No. Code Nº.		Antal Anzahl Quantity Nomb	Benämning	Bezeichnung	Description	Description
SV927		500 MINI		SÅHUS	SÄRADGEHÜSE	SEEDER- HOUSE	GROUPE SEMEUR
1	721 68 03 51		1	Hårnålssprint	Haltefeder	Lock spring	Goupille beta
2	1651 41 08 20		1	Såhus kompl	Säradgehäuse kompl.	Seed housing compl.	Groupe semeur cpl.
3	1651 99 91 00	5,0x14,5	4	Blindnit, räfflad	Pop-Niet, ger.	Pop-rivet, rif.	Rivet-pop, str.
4	735 11 46 51	A 5,3 FZ	4	Vågbricka	Scheibe	Washer	Rondelle
5	8 30 40 11		4	Låsvinge	Sperrwinkel	Locking wing	Ailette de blocage
6	8 33 80 51	450x20x1,5	1	Flocktätning	Dichtung	Sealing	Etanchement
7	1651 65 47 20		1	Plastplugg	Kunststoffpropfen	Plastic plug	Bouchon plastique
8	8 37 46 16	3 l	1	Fröbehållare kompl	Samenbehälter kompl.	Seed hopper compl.	Trémie à graines cpl.
9	8 37 46 20		1	Lock	Deckel	Lid	Carter
10	1651 41 08 50		1	Dekal	Aufkleber	Sticker	Decalcomanie
11	8 34 00 17		1	Fjäder	Feder	Spring	Ressort
12	8 30 41 46		1	Spärr	Sperr	Catch	Crochet
13	1651 93 03 80		1	Popnit	Pop-Niet	Pop-rivet	Rivet-pop
14	8 37 46 12		1	Avstrykare	Abstreifer	Repeller	Racloire
15	723 13 68 01	MCS 6x16 FZ	3	Skruv	Schraube	Bolt	Vis
16	734 11 56 01	BRB 6,7x14 FZ	4	Bricka	Scheibe	Washer	Rondelle
17	725 23 76 51	M6S 6x35 FZ	1	Skruv	Schraube	Bolt	Vis
18	731 23 16 01	M6M 6 FZ	1	Mutter	Mutter	Nut	Ecrou
19	1651 34 08 90		1	Bakstycke kompl	Gehäuserückward kompl.	Rear housing compl.	Block arriere cpl.
20	8 38 09 40		1	Plastplugg	Kunststoffpropfen	Plastic plug	Bouchon plastigue
21	1650 36 16 07	ML6M 16x1	1	Mutter	Mutter	Nut	Ecrou
22	738 21 03 04	6003-2RS1	2	Kullager	Kugellager	Ball bearing	Roulement à billes
23	735 31 33 10	SgH 35	1	Spårring	Nutring	Circlip	Circlips
24	8 30 41 03		1	Spårskiva	Nutenscheibe	Recessed disc	Plaque a gorge
25	99 92 00		9	Popnit	Pop-Niet	Pop-rivet	Rivet-pop
26	8 01 66 34	PS 25x35x0,1	1	Distansring	Distanzring	Spacer ring	Bague d'ecartem.
27	8 01 66 35	PS 25x35x0,3	1	Distansring	Distanzring	Spacer ring	Bague d'ecartem.
28	8 34 70 40		1	Distanshylsa	Distanshülse	Spacing sleeve	Bague d'entretoise.
29	721 43 09 00	FRP 5x22	1	Rörpinne	Hohlstift	Tension pin	Goupille cannelée
30	1651 65 40 40		1	Såhjulsaxel	Achse	Shaft	Arbre
31	1651 41 07 50		1	Lock	Deckel	Lid	Carter
32	8 33 80 14	25/11,5x3	1	Filttätning	Dichtung	Sealing	D'étanchéité
33	723 13 27 01	MCS 5x12 FZ	1	Skruv	Schraube	Bolt	Vis
34	8 33 01 48		1	Medbringare	Mitnehmer	Carrier	Entraîneur
35	721 42 06 00	FRP 3x12	1	Rörpinne	Hohlstift	Tension pin	Goupille cannelée
36	728 73 23 00	S6SS 5x8	2	Stoppsskruv	Stopschraube	Set screw	Vis pointeau
37	725 24 62 51	M6S 8x55 FZ	1	Skruv	Schraube	Bolt	Vis
38	731 23 18 01	M6M 8 FZ	1	Mutter	Mutter	Nut	Ecrou
39	725 24 53 51	M6S 8x25 FZ	1	Skruv	Schraube	Bolt	Vis
40	725 24 57 51	M6S 8x35 FZ	2	Skruv	Schraube	Bolt	Vis
41	8 30 41 47		1	Sparbit kompl sats	Spareinsatz kompl.	Economizer compl.	Economiseur cpl.



SV 928

Pos nr Pos.Nr Ref.No. Fig.N°.	Detalj nr Best.Nr Part No. Code N°.	Antal Anzahl Quantity Nomb	Benämning	Bezeichnung	Description	Description	
SV928			500 MINI	DRIV- ANORDNING , MARKÖRER	ANTRIEB, SPURANZEIGER	DRIVE DEVICE, MARKER	ENTRAINEMENT, MARQUEUR
2	1651 65 41 10	1		Kedjesträckare	Kettenspanner	Chain tightener	Tendeur de chaîne
3	8 33 01 06	1		Rulle	Rolle	Roller	Roue de tension
4	8 01 63 41	1		Låsbricka	Sicherungsscheibe	Lock washer	Rondelle d'arrêt
5	8 38 09 29	1		Fjäder	Feder	Spring	Ressort
6	1651 41 07 60	1		Rör inre	Rohr Inneres	Tube inner	Tuyau intérieur
7	725 28 86 71	1	M6S 6x80 FZ	Skruv	Schraube	Bolt	Vis
8	734 11 56 01	3	BRB 6,7x14 FZ	Bricka	Scheibe	Washer	Rondelle
9	8 38 09 21	1		Fjäder	Feder	Spring	Ressort
10	732 21 16 51	1	M6M 6 FZ	Mutter	Mutter	Nut	Ecrou
11	1651 41 07 70	1		Markörrör yttre	Spuranzeigerrohr Äusseres	Marker tube outer	Partie coulissante de marqueur
12	1651 41 08 10	1		Markör	Spuranzeiger	Marker	Marqueur
13	1651 65 41 90	1		Stoppring	Stoppring	Set collar	Manchon d'arrêt
14	8 38 09 22	1		Korsvred	Kreuzgriffschraube	Cross-handle bolt	Poignée étoile
15	8 38 09 42		1/2"-3/16"	Kedja kompl	Rollenkette kompl.	Chain compl.	Chaîne cpl.
	8 38 09 34	1		Kedja	Rollenkette	Chain	Chaîne
				75 länkar	75 Glieder	75 links	75 maillons
	8 38 09 36	1		Kedja	Rollenkette	Chain	Chaîne
				7 länkar	7 Glieder	7 links	7 maillons
	8 33 60 23	2		Kopplingslänk rak	Verbindungsglied gerade	Assembling link straight	Attache rapide droit
16	8 38 09 43		1/2"-3/16"	Kedja kompl	Rollenkette kompl.	Chain compl.	Chaîne cpl.
	8 38 09 35	1		Kedja	Rollenkette	Chain	Chaîne
				71 länkar	71 Glieder	71 links	71 maillons
	8 33 60 23	1		Kopplingslänk rak	Verbindungsglied gerade	Assembling link straight	Attache rapide droit
	8 33 60 24	1		Kopplingslänk böjd	Verbindungsglied gekröpft	Assembling link bent	Attache rapide coudé
17	8 33 01 42	1		Distansring	Distanzring	Spacer ring	Bague d'ecartem.
18	732 41 22 01	3	VM12 FZ	Vingmutter	Flügelmutter	Thumb nut	Ecrou à papillon
19	1651 65 41 50	1		Pinnbult	Gewindezapfen	Stud bolt	Boulon prisonnier
20	1651 65 41 20	1		Distans	Distanz	Spacer	Entretoise
21	734 11 73 01	1	BRB 10,5x21 FZ	Bricka	Scheibe	Washer	Rondelle
22	732 21 20 51	1	M10 FZ	Låsmutter	Nyloc-Mutter	Lock nut	Ecrou freiné
23	8 38 09 23	1		Kätting (30 länkar)	Kette (30 Glieder)	Chain (30 links)	Chaîne (30 maillons)
24	8 38 09 24	1		Esskrok	Haken	Hook	Crochet
25	8 38 09 28		No.9	Kedjehjul 10 tänd.	Kettenrad 10 Zähne	Sprocket 10 teeth	Pignon 10 dents
	8 33 60 14		No.3	Kedjehjul 11 tänd.	Kettenrad 11 Zähne	Sprocket 11 teeth	Pignon 11 dents
	8 38 09 27		No.10	Kedjehjul 13 tänd.	Kettenrad 13 Zähne	Sprocket 13 teeth	Pignon 13 dents
	8 38 09 26		No.11	Kedjehjul 18 tänd.	Kettenrad 18 Zähne	Sprocket 18 teeth	Pignon 18 dents
	8 33 60 16		No.5	Kedjehjul 20 tänd.	Kettenrad 20 Zähne	Sprocket 20 teeth	Pignon 20 dents
	8 33 60 18		No.7	Kedjehjul 28 tänd.	Kettenrad 28 Zähne	Sprocket 28 teeth	Pignon 28 dents
	8 38 09 25		No.12	Kedjehjul 32 tänd.	Kettenrad 32 Zähne	Sprocket 32 teeth	Pignon 32 dents



SV 929