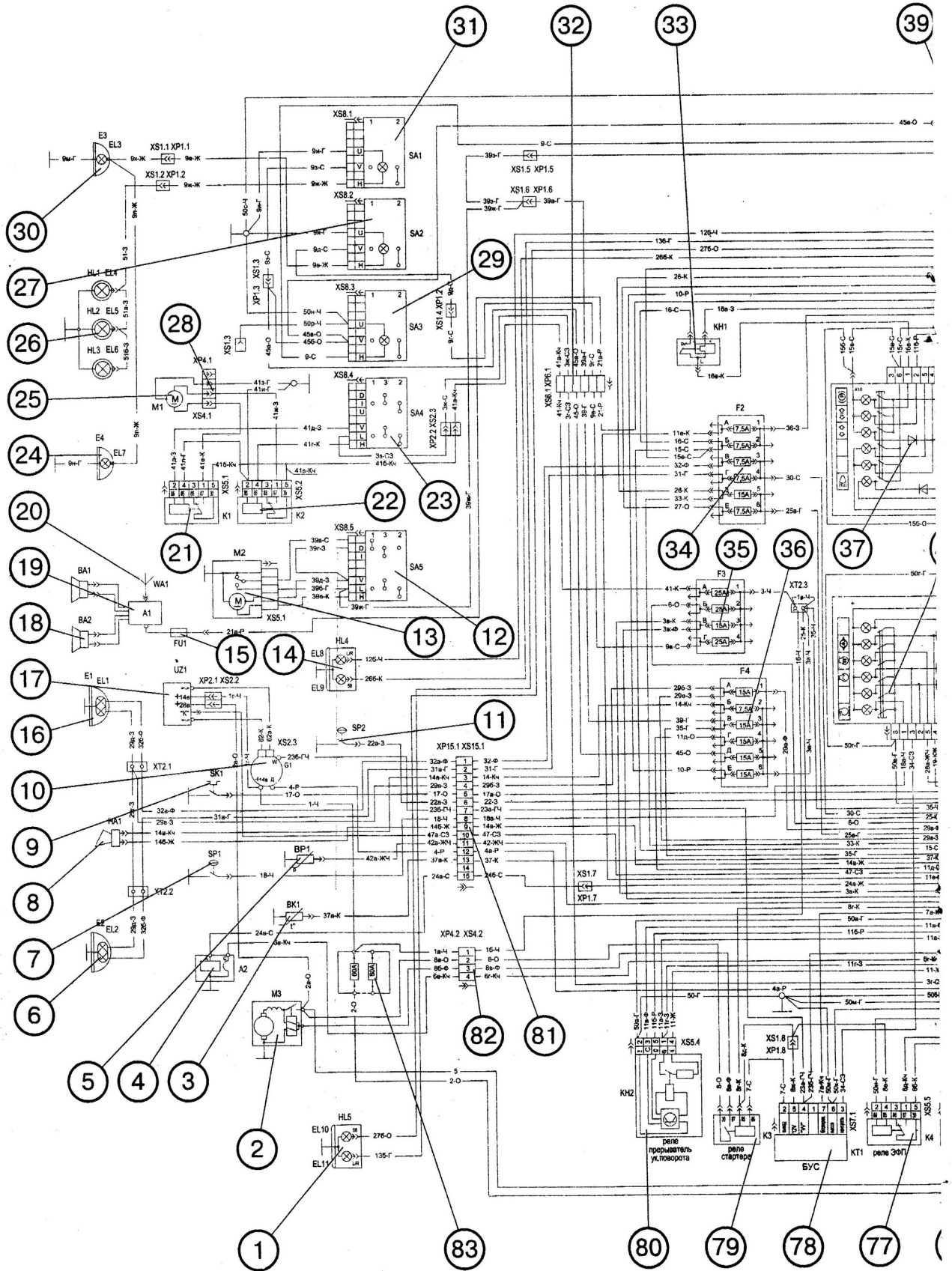
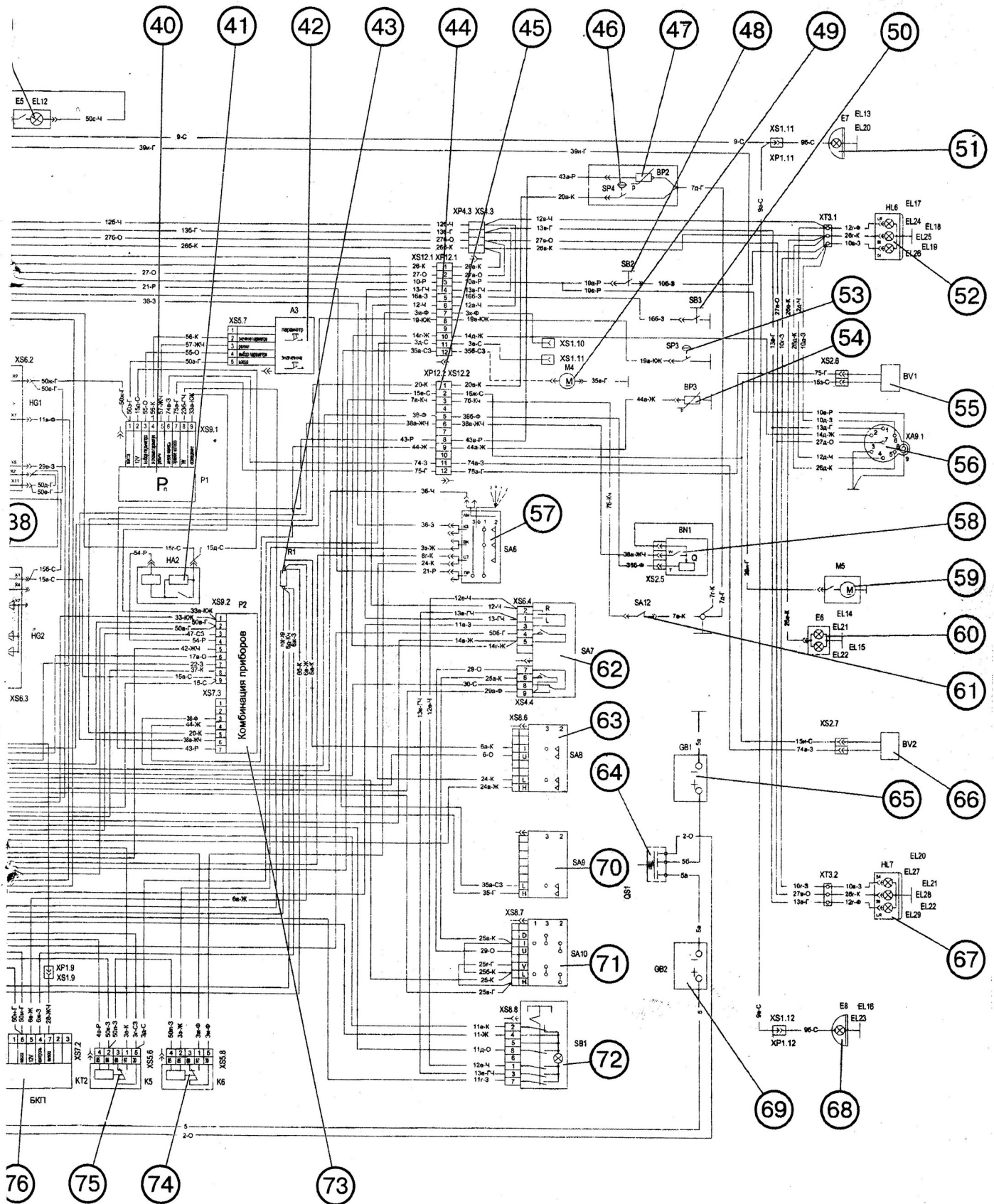


H36**WRING DIAGRAM (Ref. To p. H37, H38).**

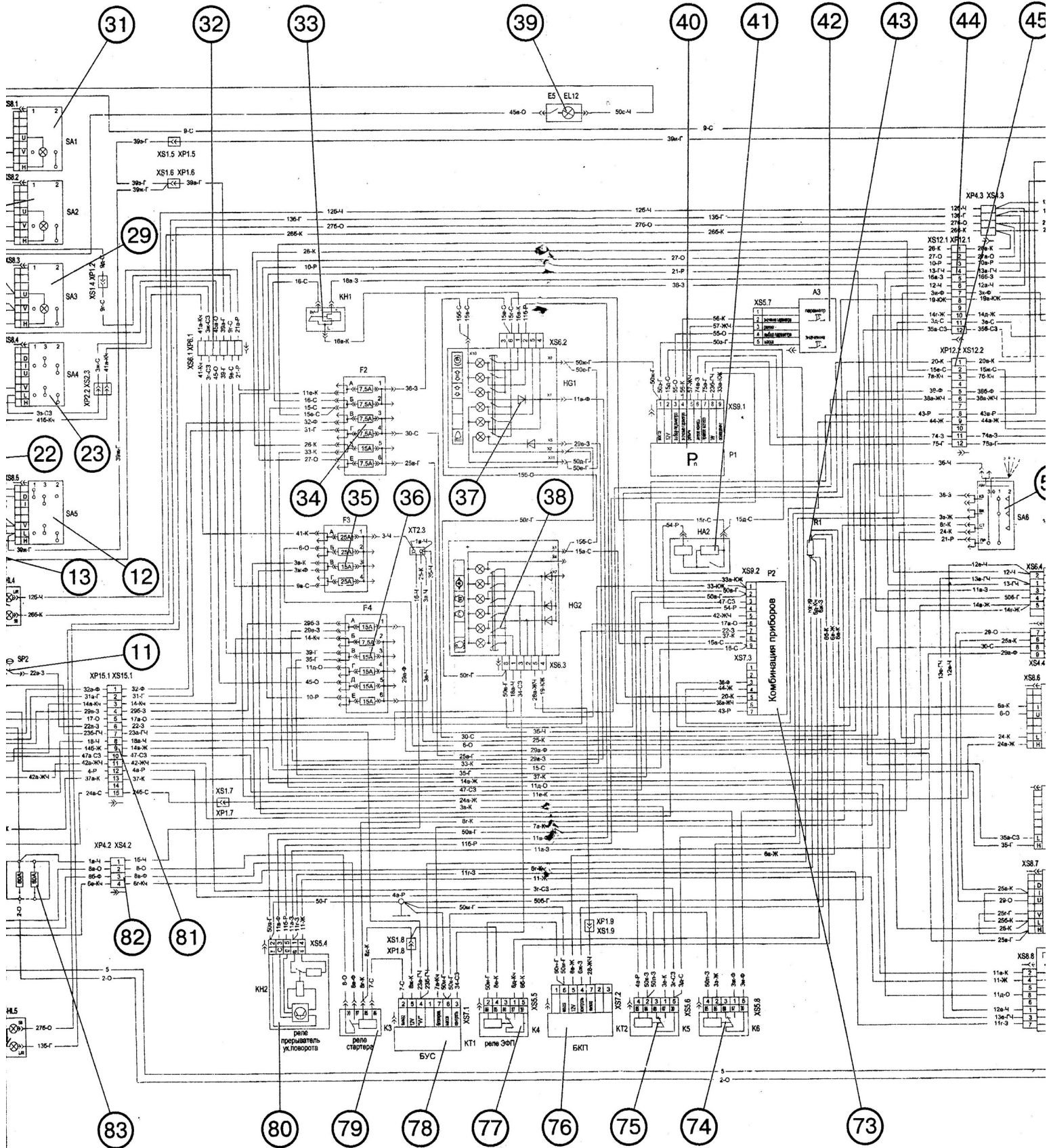
- | | |
|--|---|
| 1. Front Light, LH | 49. Windscreen Washer |
| 2. Starter | 50. Parking Brake Light Switch |
| 3. Engine Coolant Temperature Sensor | 51., 68. Work Lights, Rear |
| 4. Engine Preheater Plug | 52. Rear Light, RH |
| 5. Engine Oil Pressure Sensor | 53. Steering Oil Pressure Warning Light Sensor |
| 6. Headlight, LH | 54. Oil Pressure Sensor (Not used) |
| 7. Engine Air Cleaner Restriction Sensor | 55, 66. Tractor Travel Speed Sensor |
| 8. Horn | 56. Combined Socket |
| 9. Engine Coolant Warning Light Sensor | 57. Starter/Instruments Switch (Key-Start Switch) |
| 10. Alternator | 58. Fuel Level Sensor |
| 11. Engine Oil Pressure Warning Light Sensor | 59. Rear Glass Wiper |
| 12. Windscreen Wiper Switch | 60. Registration Number Light |
| 13. Windscreen Wiper | 61. Neutral Start Switch |
| 14. Front Light, RH | 62. Multifunction switch |
| 15. Tape Recorder Fuse (if Fitted) | 63. Preheater Plug Switch |
| 16. Headlight, RH | 64. Storage Batteries Switch |
| 17. Rectifying/Regulating Unit | 65, 69. Storage Batteries |
| 18. Spear Louder (if fitted) | 70. Washer Switch |
| 19. Tape recorder (if fitted) | 71. Light Switch |
| 20. Aerial | 72. Hazard Light Switch |
| 21,22 Cab Heater Relay | 73. Instruments Cluster |
| 23. Cab Heater Switch | 74. Control Relay of Switch (57) Terminal "K3". |
| 24,30 Work Lights | 75. Cab Heater Relay |
| 25. Cab Heater Motor | 76. Preheater Plug Monitoring Relay |
| 26. Tractor-Trailer Comb. Lights | 77. Preheater Plug Relay |
| 27. Front Work Lights Switch | 78. Starter Control Relay |
| 28. Terminal Block | 79. Starter Relay |
| 29. Rear Work Lights Switch | 80. Turn Indicator Flashing Relay |
| 31. Tractor-Tr. Comb. Lights Switch | 81,82. Terminal Blocks |
| 32. Terminal Blocks | 83. Charging Circuit Fuses |
| 33. Parking Brake Warning Light Flasher | (84-88 – see on p. H38) |
| 34, 35, 36. Fuses Block | |
| 37,38. Block of Warning Lights | |
| 39. Dome Light | |
| 40. Electrical Tachospeedometer | Combined Socket Terminals Identification |
| 41. Buzzer | 1. Left Turn |
| 42. Tachospeedometer Control Panel | 2. Horn |
| 43. Additional Resistor | 3. Ground |
| 44,45. Terminal Blocks | 4. Right Turn |
| 46. Air Pressure Warning Light Sensor | 5. Side Light, RH |
| 47. Air Pressure Sensor | 6. Stop-Signal |
| 48. Stop-Signal Switch | 7. Side Light, LH |
| | 8. Portable Light. |



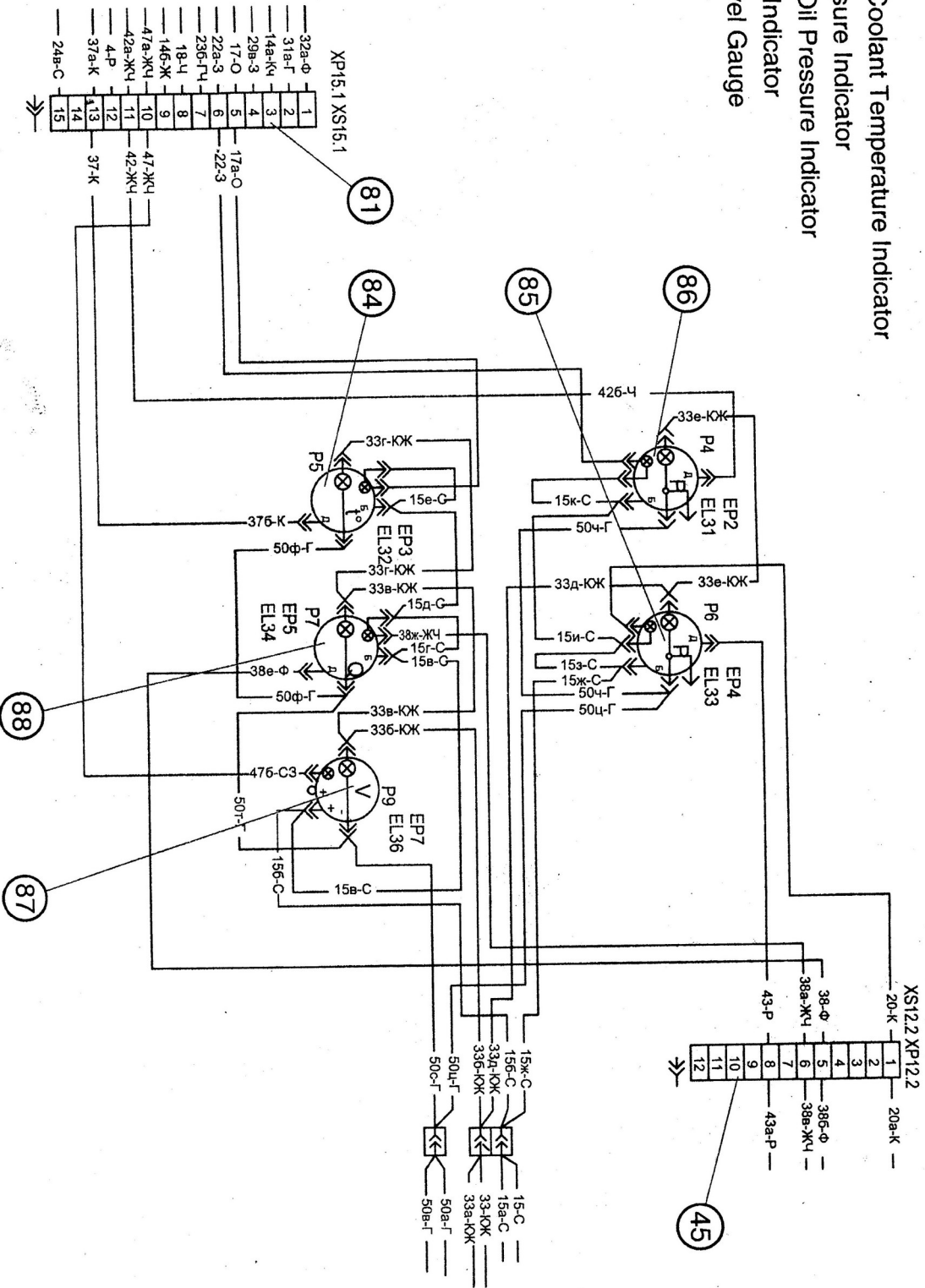
IG DIAGRAM



WIRING DIAGRAM



- 84. Engine Coolant Temperature Indicator
- 85. Air Pressure Indicator
- 86. Engine Oil Pressure Indicator
- 87. Voltage Indicator
- 88. Fuel Level Gauge



Wiring Diagram Of Self-Contained Indicators (84...88) (when Instrument Cluster (73) is not used)

130